



US00D913993S

(12) **United States Design Patent**  
**Sugiura**

(10) **Patent No.:** **US D913,993 S**  
(45) **Date of Patent:** **\*\* Mar. 23, 2021**

(54) **EARPHONE**

(71) Applicant: **YAMAHA CORPORATION,**  
Hamamatsu (JP)

(72) Inventor: **Yoshihisa Sugiura,** Buena Park, CA  
(US)

(73) Assignee: **YAMAHA CORPORATION,**  
Hamamatsu (JP)

(\*\*) Term: **15 Years**

(21) Appl. No.: **29/707,326**

(22) Filed: **Sep. 27, 2019**

(51) **LOC (13) Cl.** ..... **14-01**

(52) **U.S. Cl.**  
USPC ..... **D14/223**

(58) **Field of Classification Search**  
USPC ..... D14/223, 205; D24/174; 128/864-866;  
381/380, 381; 455/90.3, 575.1, 569.1  
CPC ..... H04R 1/10; H04R 25/00; H04R 25/02;  
H04R 1/1016; H04R 1/1066; H04R  
5/033; H04R 5/0335; H04R 1/105; H04R  
1/1083; H04R 1/1091  
See application file for complete search history.

(56) **References Cited**

**U.S. PATENT DOCUMENTS**

D572,703 S *	7/2008	Ledbetter	.....	D14/205
D579,006 S *	10/2008	Kim	.....	D14/223
D627,766 S *	11/2010	Arimoto	.....	D14/223
D641,010 S *	7/2011	Kwon	.....	D14/223
D641,011 S *	7/2011	Gondo	.....	D14/223
D666,580 S *	9/2012	Lee	.....	D14/223
D668,244 S *	10/2012	Matsumura	.....	D14/223
8,447,061 B2 *	5/2013	Lee	.....	H04R 1/1016 381/380
D686,597 S *	7/2013	Lee	.....	D14/223
D711,356 S *	8/2014	Yang	.....	D14/223

D711,858 S *	8/2014	Yang	.....	D14/223
D718,286 S *	11/2014	Yang	.....	D14/223
D719,550 S *	12/2014	Yang	.....	D14/223
D725,082 S *	3/2015	Palmberg	.....	D14/223
D726,145 S *	4/2015	Hsieh	.....	D14/205
D727,871 S *	4/2015	Orbach	.....	D14/205
D733,102 S *	6/2015	Palmberg	.....	D14/223
D733,103 S *	6/2015	Jeong	.....	D14/224
D735,169 S *	7/2015	Shieh	.....	D14/223
D740,255 S *	10/2015	Samrelius	.....	D14/206
D742,861 S *	11/2015	Miyake	.....	D14/223
D746,792 S *	1/2016	Kim	.....	D14/205
D764,445 S *	8/2016	Czaniecki	.....	D14/223

(Continued)

**FOREIGN PATENT DOCUMENTS**

EM	02112391-0002	*	10/2012
EM	007223698-0001	*	11/2019

(Continued)

*Primary Examiner* — Paula Allen Greene

(74) *Attorney, Agent, or Firm* — Sughrue Mion, PLLC

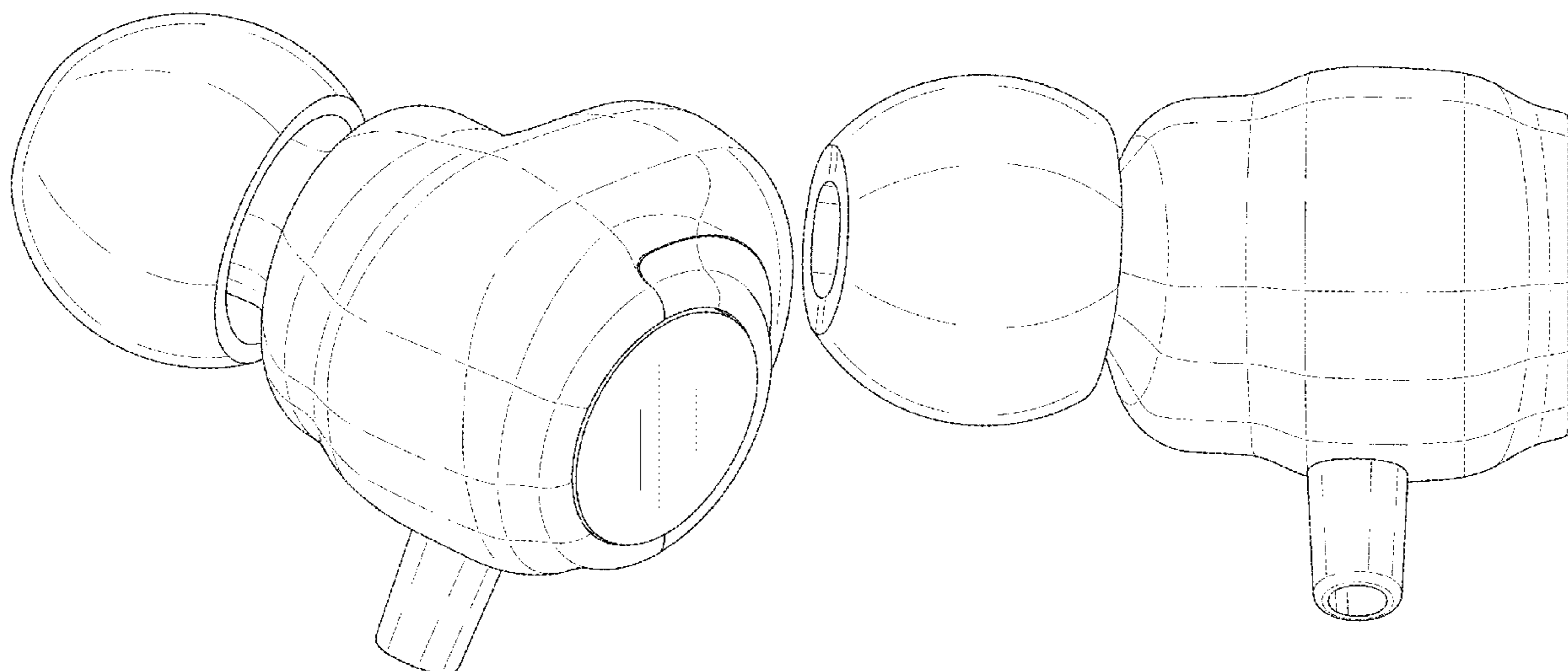
(57) **CLAIM**

The ornamental design for an earphone, as shown and described.

**DESCRIPTION**

FIG. 1 is a perspective view of the front, top, and left side of an earphone showing my new design;  
 FIG. 2 is a front view thereof;  
 FIG. 3 is a rear view thereof;  
 FIG. 4 is a left side view thereof;  
 FIG. 5 is a right side view thereof;  
 FIG. 6 is a top view thereof;  
 FIG. 7 is a bottom view thereof; and,  
 FIG. 8 is a perspective reference view in use thereof.  
 The broken line showing of the earphone is included for the purpose of illustrating portions of the earphone and forms no part of the claimed design.

**1 Claim, 8 Drawing Sheets**



(56)

References Cited

U.S. PATENT DOCUMENTS

D777,710 S \* 1/2017 Palmborg ..... D14/223  
 D781,269 S \* 3/2017 Choe ..... D14/223  
 D782,997 S \* 4/2017 Shin ..... D14/205  
 D782,998 S \* 4/2017 Shin ..... D14/205  
 D798,843 S \* 10/2017 Valenzuela ..... D14/223  
 D800,097 S \* 10/2017 Chen ..... D14/223  
 D817,309 S \* 5/2018 Czaniecki ..... D14/223  
 9,961,434 B2 \* 5/2018 Kelly ..... H04R 1/1066  
 D824,371 S \* 7/2018 Loermann ..... D14/223  
 D826,211 S \* 8/2018 Kim ..... D14/206  
 D841,626 S \* 2/2019 Tang ..... D14/223  
 10,206,026 B2 \* 2/2019 Yeung ..... H01Q 1/48  
 D843,354 S \* 3/2019 Kumano ..... D14/223  
 D845,932 S \* 4/2019 Lu ..... D14/223  
 D847,126 S \* 4/2019 Loermann ..... D14/223  
 D858,489 S \* 9/2019 Hu ..... D14/223  
 D863,263 S \* 10/2019 Yu ..... D14/223  
 D866,530 S \* 11/2019 Birger ..... D14/223  
 D868,752 S \* 12/2019 Zhu ..... D14/223  
 D870,707 S \* 12/2019 Yang ..... D14/223  
 D872,063 S \* 1/2020 Arimoto ..... D14/223  
 D872,064 S \* 1/2020 Cai ..... D14/223  
 D873,248 S \* 1/2020 Weicheng ..... D14/223  
 D875,714 S \* 2/2020 Kim ..... D14/205

D877,720 S \* 3/2020 Madramotoo ..... D14/223  
 D880,457 S \* 4/2020 Zhu ..... D14/223  
 D883,261 S \* 5/2020 Zhang ..... D14/223  
 D889,441 S \* 7/2020 Lin ..... D14/223  
 D895,580 S \* 9/2020 Yu ..... D14/223  
 D896,205 S \* 9/2020 Zhang ..... D14/223  
 D897,318 S \* 9/2020 Blundell ..... D14/223  
 D897,319 S \* 9/2020 Wang ..... D14/223  
 D897,322 S \* 9/2020 Wei ..... D14/223  
 D899,399 S \* 10/2020 Jung ..... D14/205  
 D900,064 S \* 10/2020 Laffon de Mazieres .... D14/223  
 2007/0098201 A1 \* 5/2007 Chen ..... H04R 1/1016  
 381/380  
 2016/0316292 A1 \* 10/2016 Huang ..... H04R 1/2834  
 2017/0026738 A1 \* 1/2017 Tang ..... H04R 1/1091  
 2017/0094384 A1 \* 3/2017 Trainer ..... H04R 1/105  
 2019/0075384 A1 \* 3/2019 Miwa ..... H04R 1/1016  
 2020/0177981 A1 \* 6/2020 Ma ..... H04R 1/1058  
 2020/0186906 A1 \* 6/2020 Birch ..... H04R 1/1016

FOREIGN PATENT DOCUMENTS

EM 007223698-0007 \* 11/2019  
 EM 007749817-0002 \* 3/2020  
 EM 007800057-0001 \* 4/2020  
 MY 12-1262-0101-0001 \* 5/2013

\* cited by examiner

FIG. 1

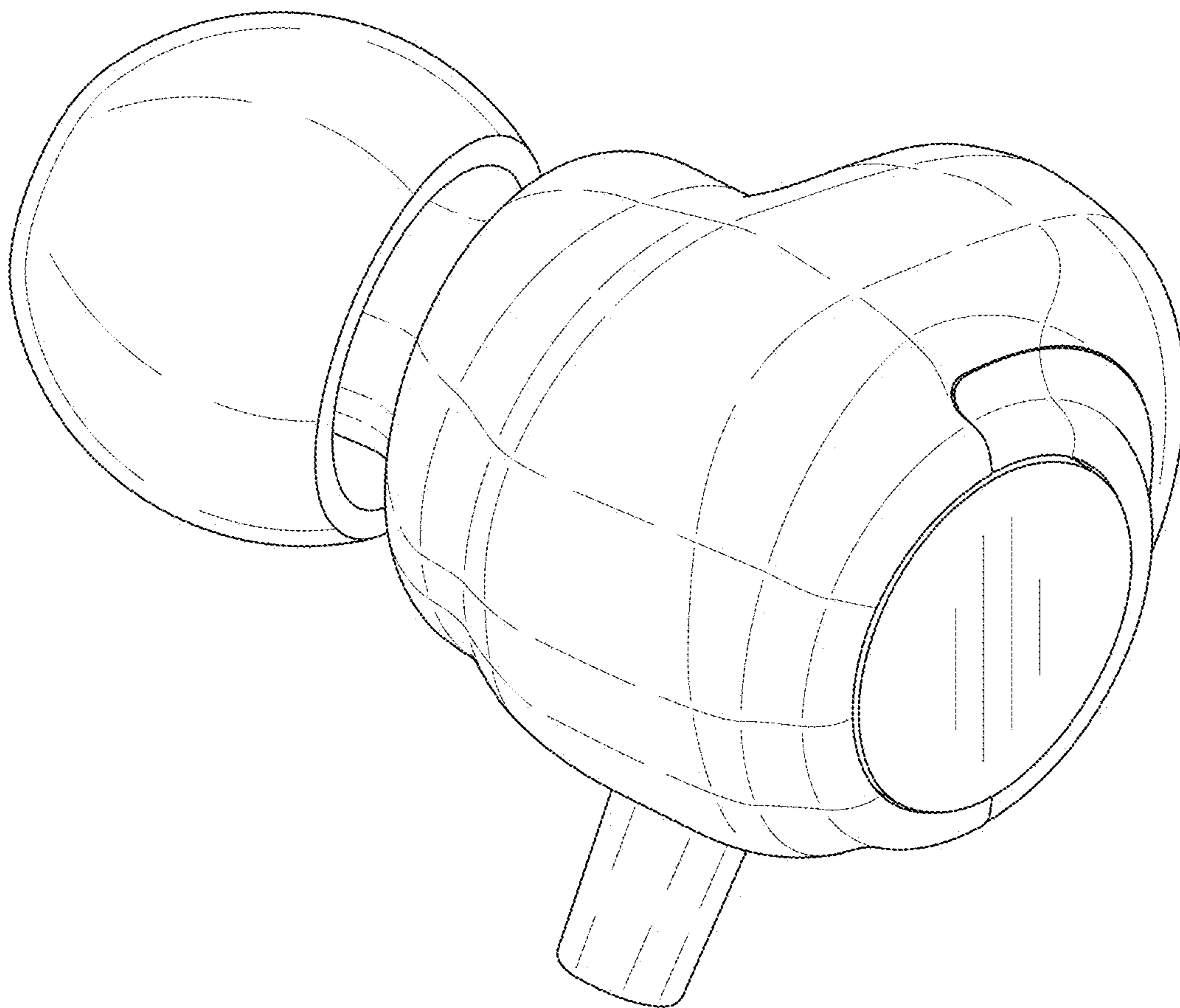


FIG. 2

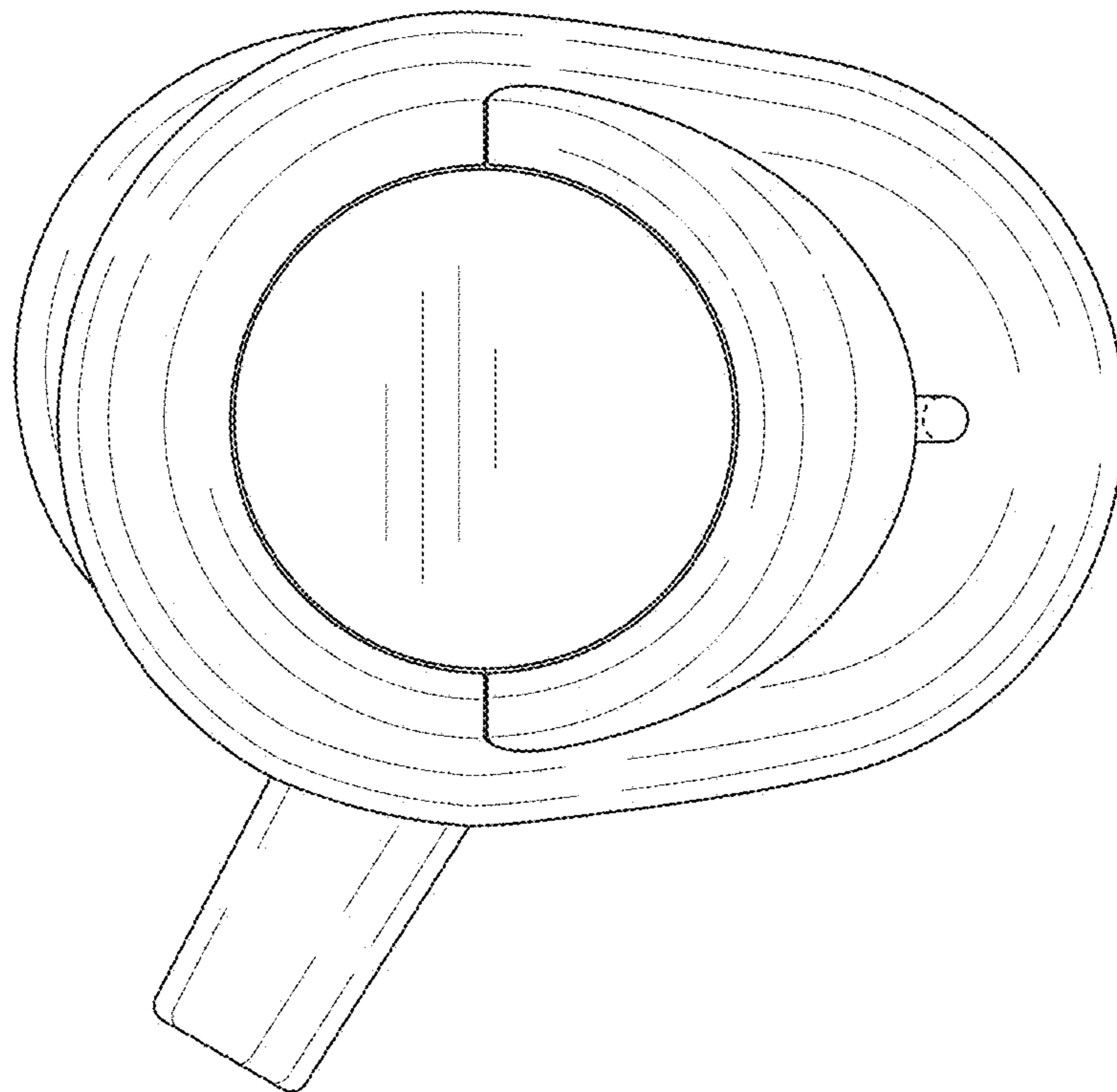


FIG. 3

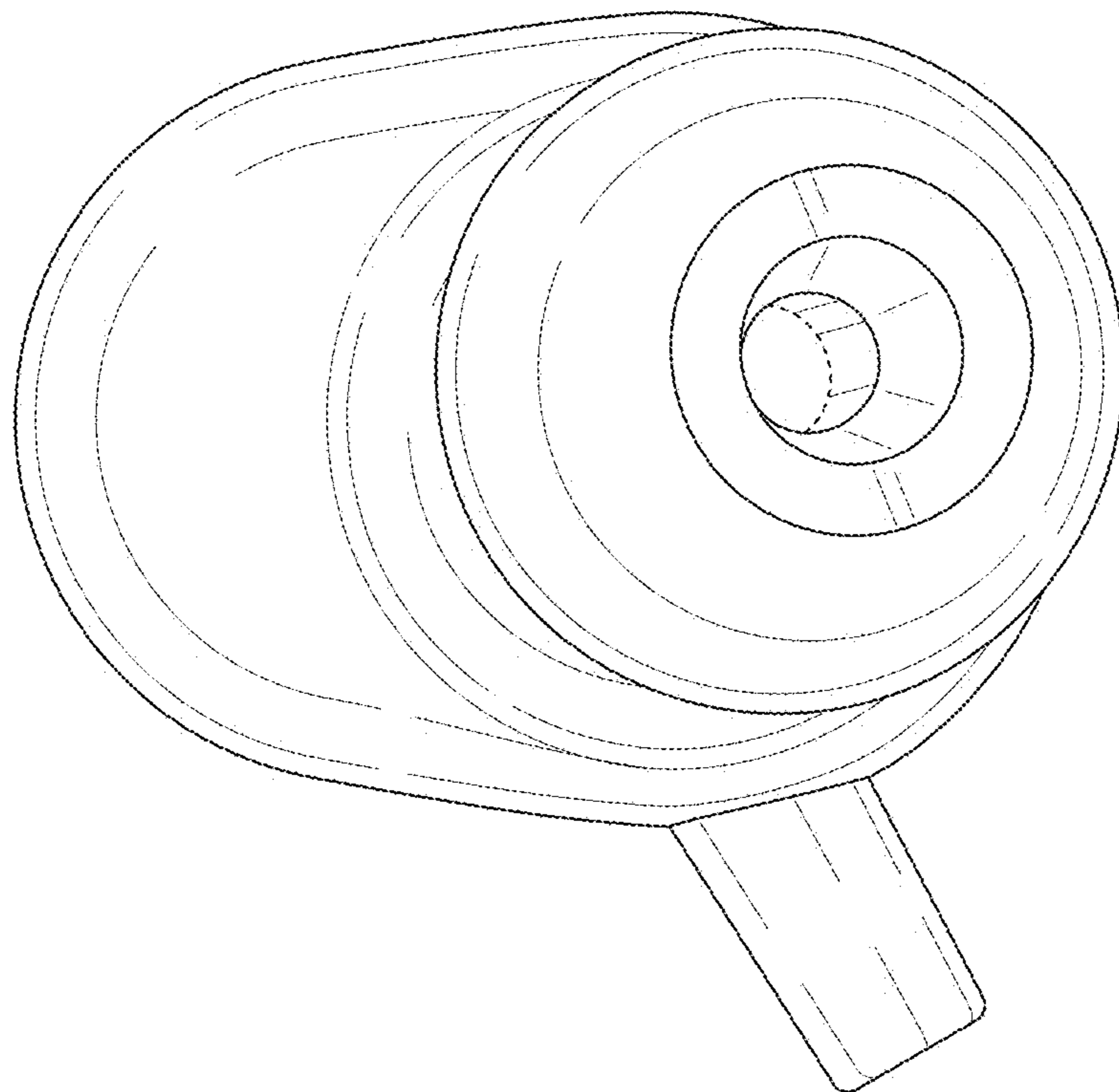


FIG. 4

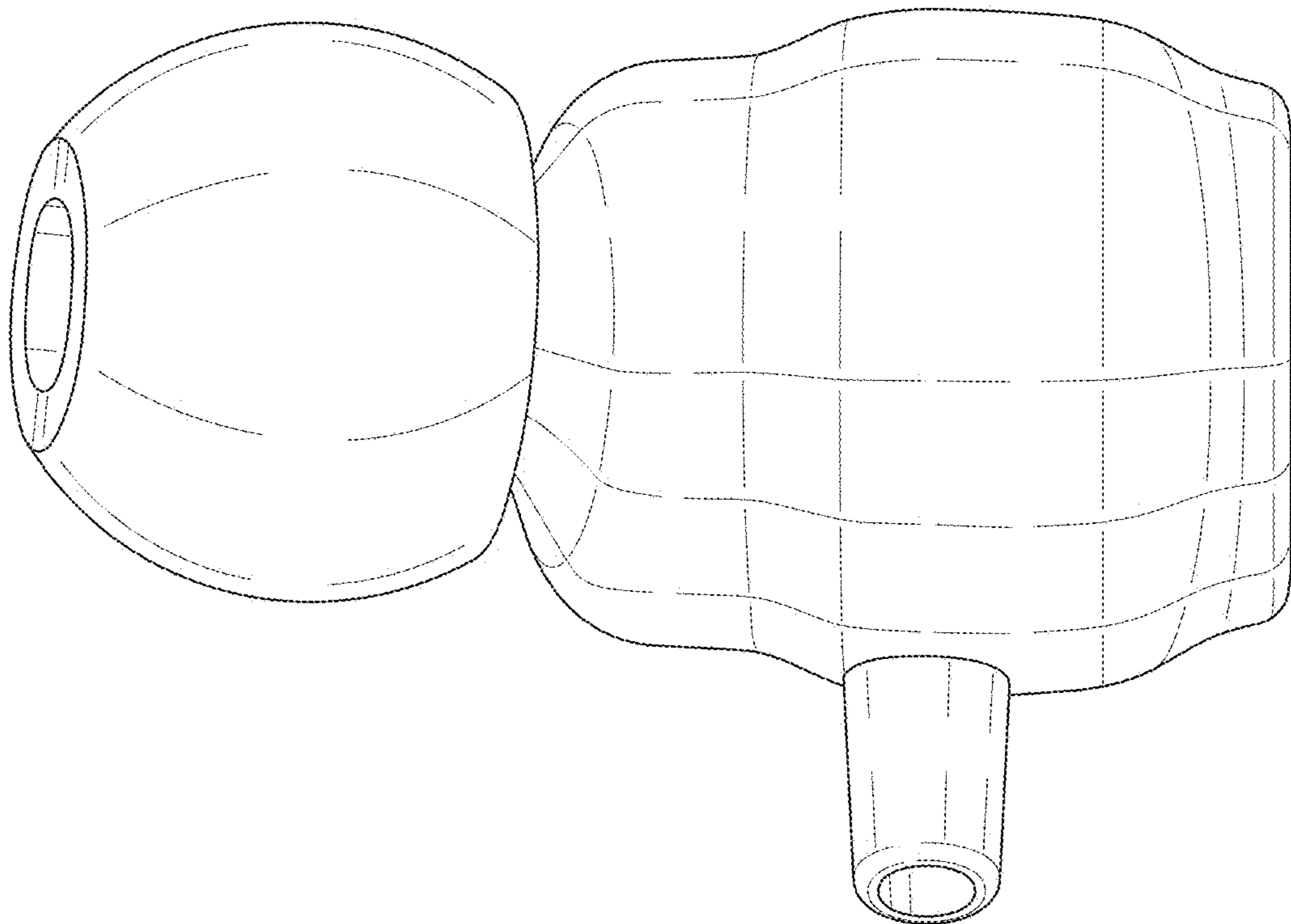


Fig. 5

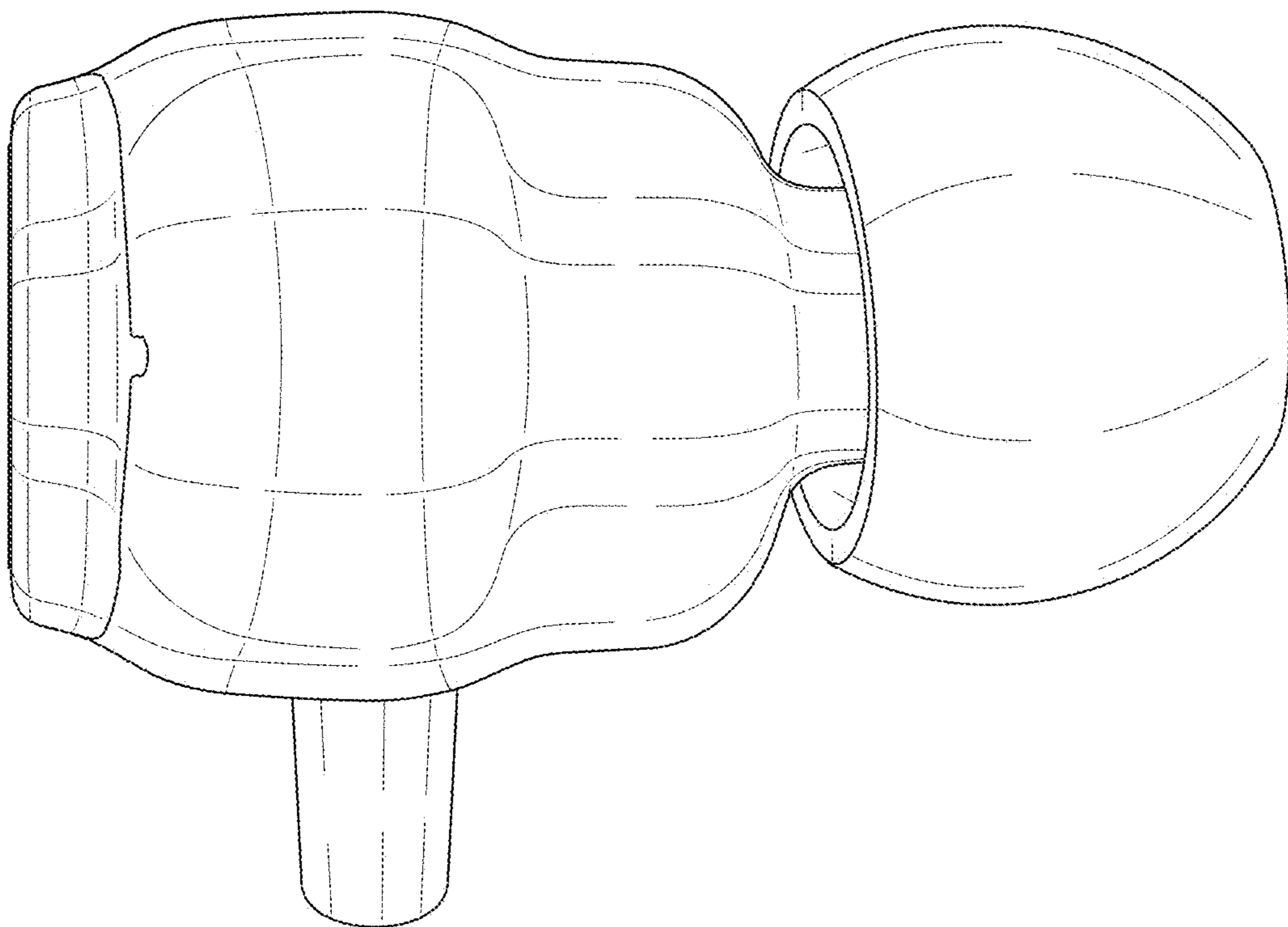


FIG. 6

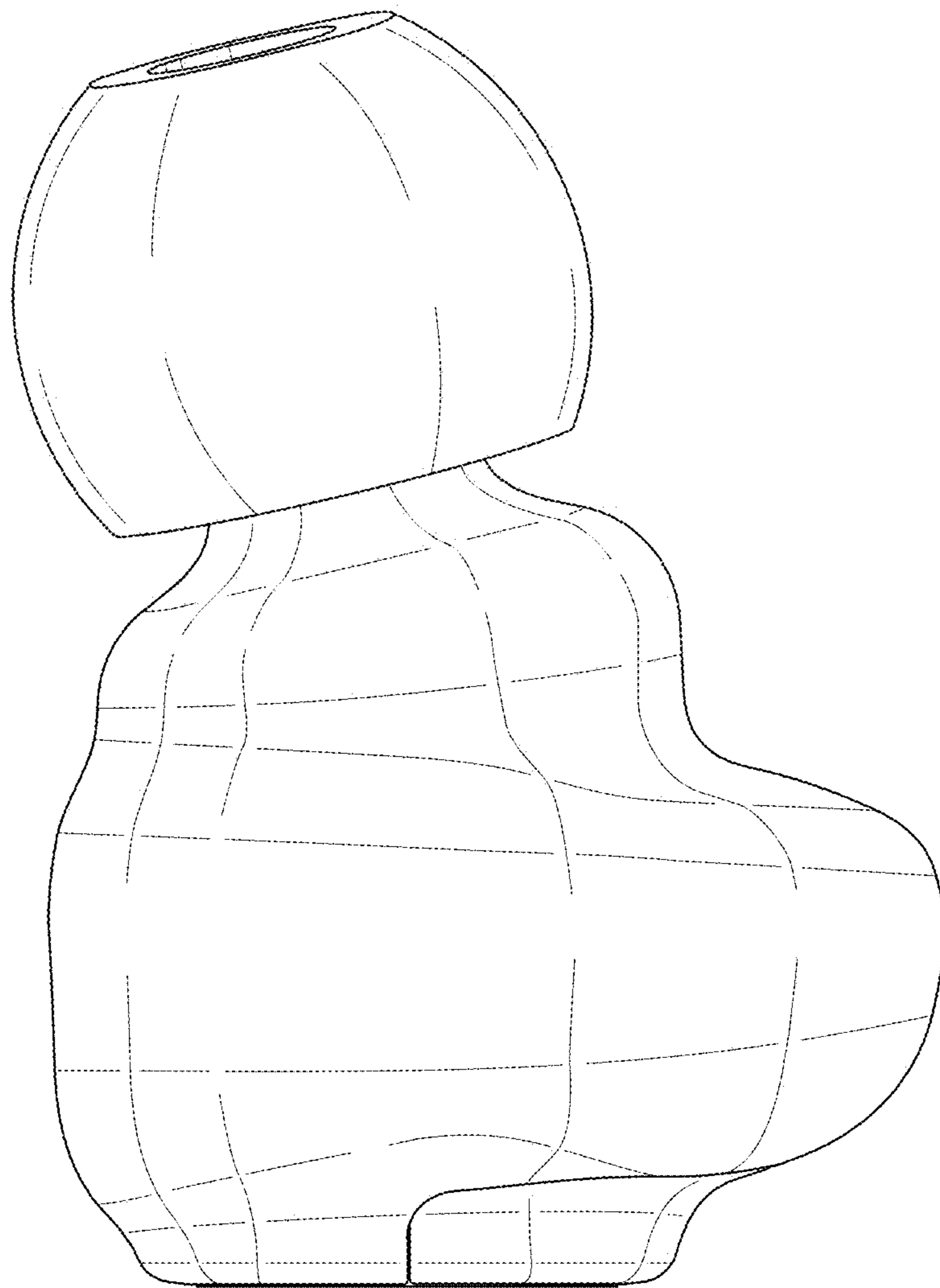




FIG. 7

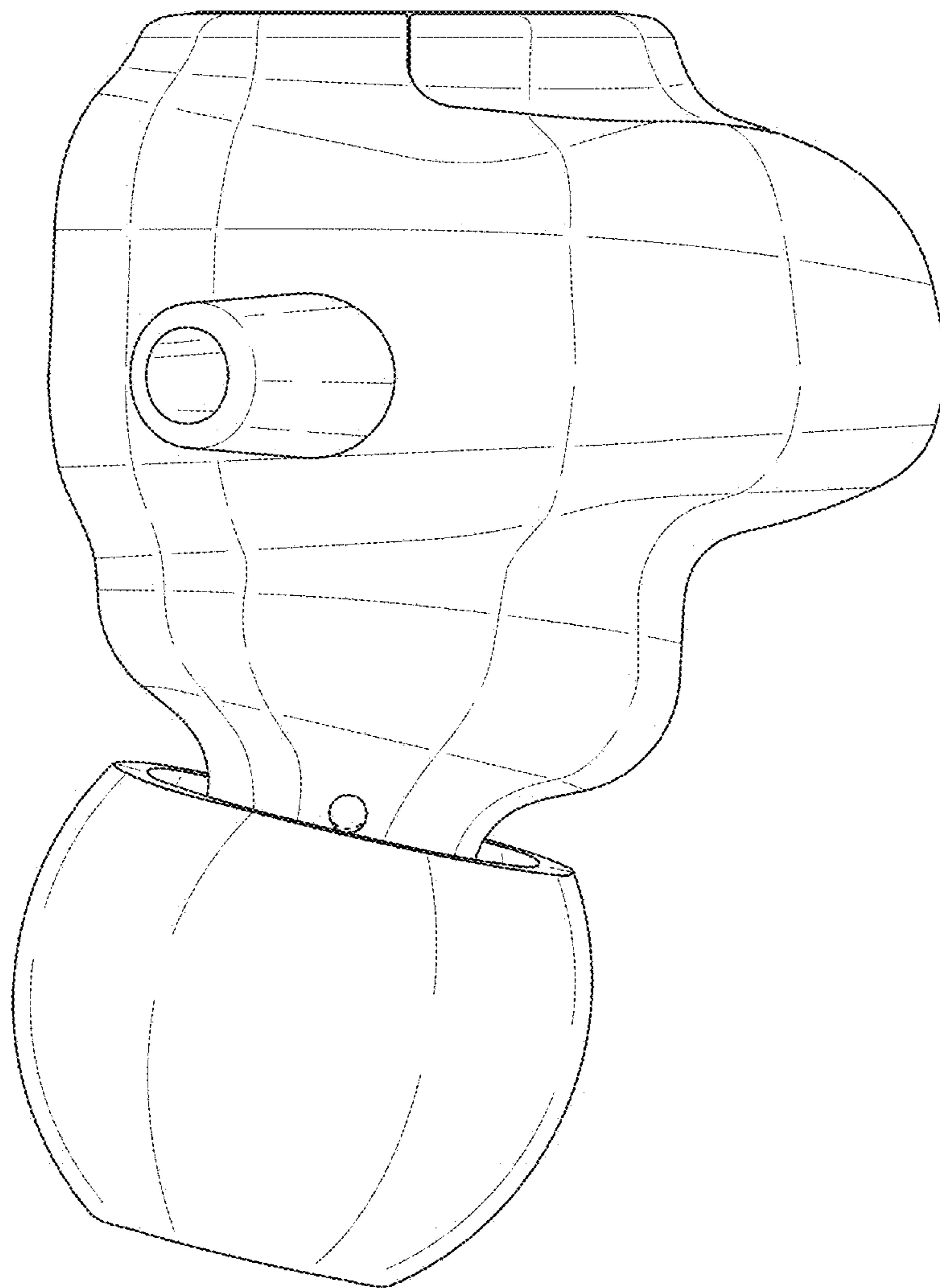


FIG. 8

