



US00D913992S

(12) **United States Design Patent**
Huang

(10) **Patent No.:** **US D913,992 S**

(45) **Date of Patent:** **** Mar. 23, 2021**

(54) **WIRELESS PRESENTER**

(71) Applicant: **SHANGHAI NORWII TECHNOLOGY CO., LTD.**, Shanghai (CN)

(72) Inventor: **Yongyan Huang**, Shanghai (CN)

(73) Assignee: **SHANGHAI NORWII TECHNOLOGY CO., LTD.**, Shanghai (CN)

(**) Term: **15 Years**

(21) Appl. No.: **29/688,387**

(22) Filed: **Apr. 21, 2019**

(30) **Foreign Application Priority Data**

Oct. 22, 2018 (CN) 201830590131.9

(51) **LOC (13) Cl.** **14-03**

(52) **U.S. Cl.**
USPC **D14/218**

(58) **Field of Classification Search**
USPC D14/218; D13/168
CPC .. A47C 31/008; A61G 13/02; G07C 9/00944;
G08C 17/00; G08C 17/02; H04B 1/202;
H01H 9/02; H01H 9/0214; H01H 9/0235;
H01H 9/0242
See application file for complete search history.

(56) **References Cited**

U.S. PATENT DOCUMENTS

D451,076 S * 11/2001 Sommer D13/168
D546,782 S * 7/2007 Poulet D13/168
D549,665 S * 8/2007 Chen D13/168

D559,674 S * 1/2008 Minnaar D8/353
D585,077 S * 1/2009 Sheba D14/434
D589,963 S * 4/2009 Sheba D14/217
D631,854 S * 2/2011 Blair D13/168
D703,188 S * 4/2014 Maier D14/218
D704,165 S * 5/2014 Won D14/218
D770,455 S * 11/2016 Lee D14/433
9,589,461 B1 * 3/2017 Byrne G08C 19/00
D785,598 S * 5/2017 Ikonen D14/218
D795,202 S * 8/2017 Dimberg D13/168
D795,870 S * 8/2017 Jentz D14/388
D817,897 S * 5/2018 Lin D13/164
D818,445 S * 5/2018 Altonen D13/168
D837,747 S * 1/2019 Lee D13/168
D846,506 S * 4/2019 McRoberts D13/168
D856,332 S * 8/2019 Ruegg D14/388
D856,333 S * 8/2019 Ruegg D14/388
D875,731 S * 2/2020 Ruegg D14/388
2018/0181263 A1 * 6/2018 Mathias G06F 3/0482

* cited by examiner

Primary Examiner — John Windmuller

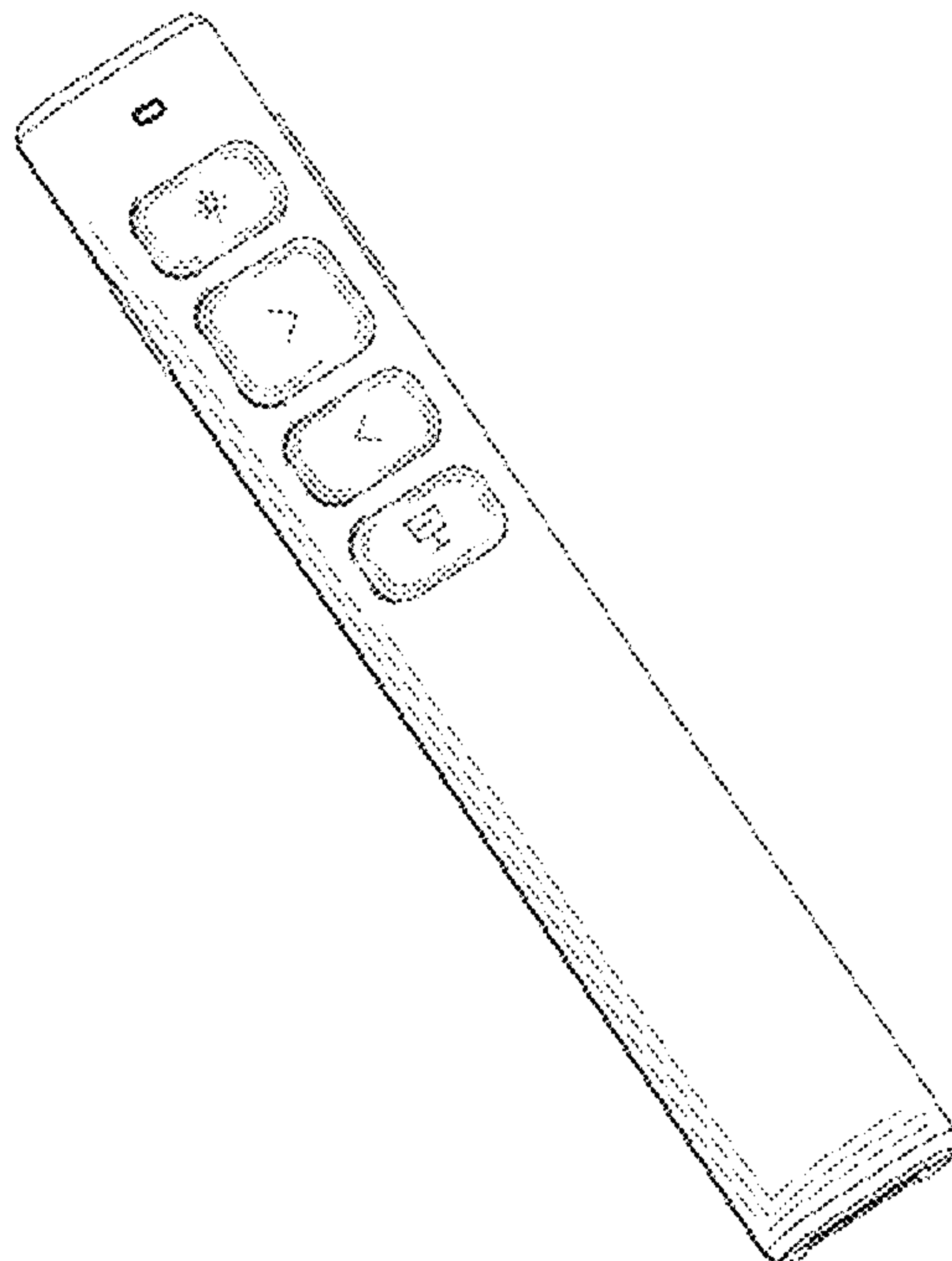
(57) **CLAIM**

The ornamental design for a wireless presenter, as shown and described.

DESCRIPTION

FIG. 1 is a front view of a wireless presenter, showing our new design;
FIG. 2 is a rear view thereof;
FIG. 3 is a left side view thereof;
FIG. 4 is a right side view thereof;
FIG. 5 is a top view thereof;
FIG. 6 is a bottom view thereof;
FIG. 7 is a perspective view thereof; and,
FIG. 8 is another perspective view thereof.

1 Claim, 8 Drawing Sheets



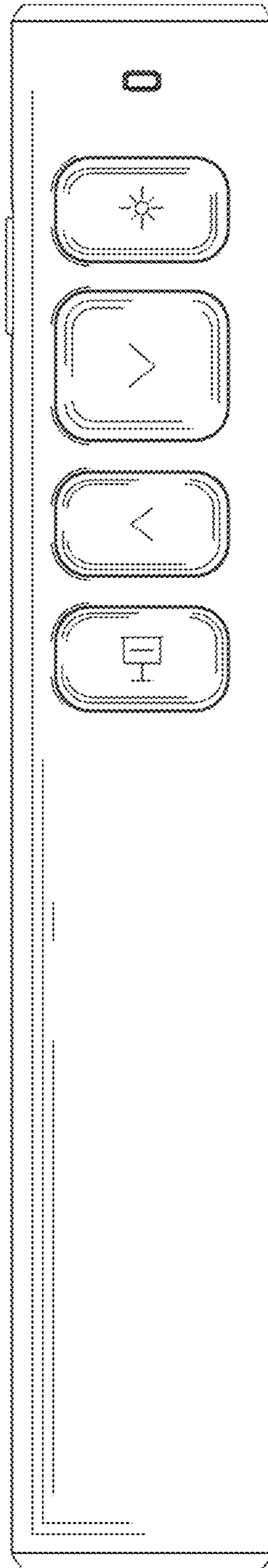


FIG. 1

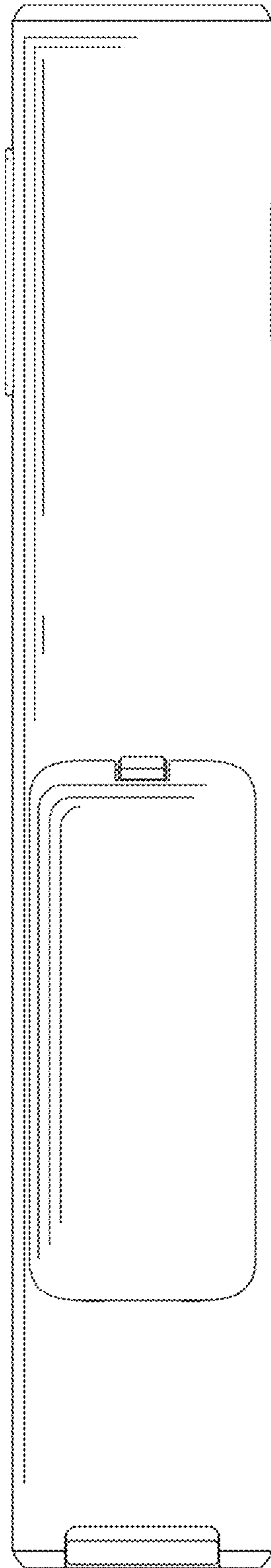


FIG. 2

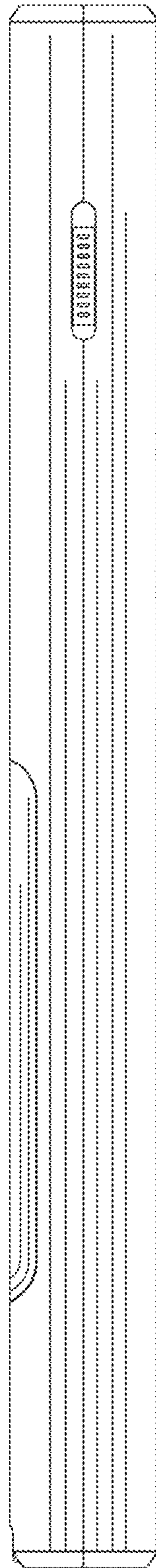


FIG. 3

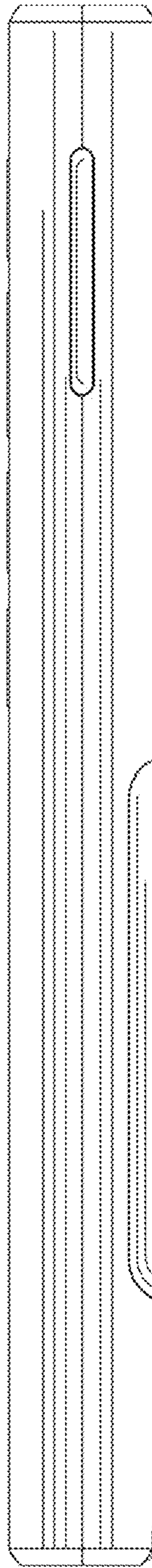


FIG. 4

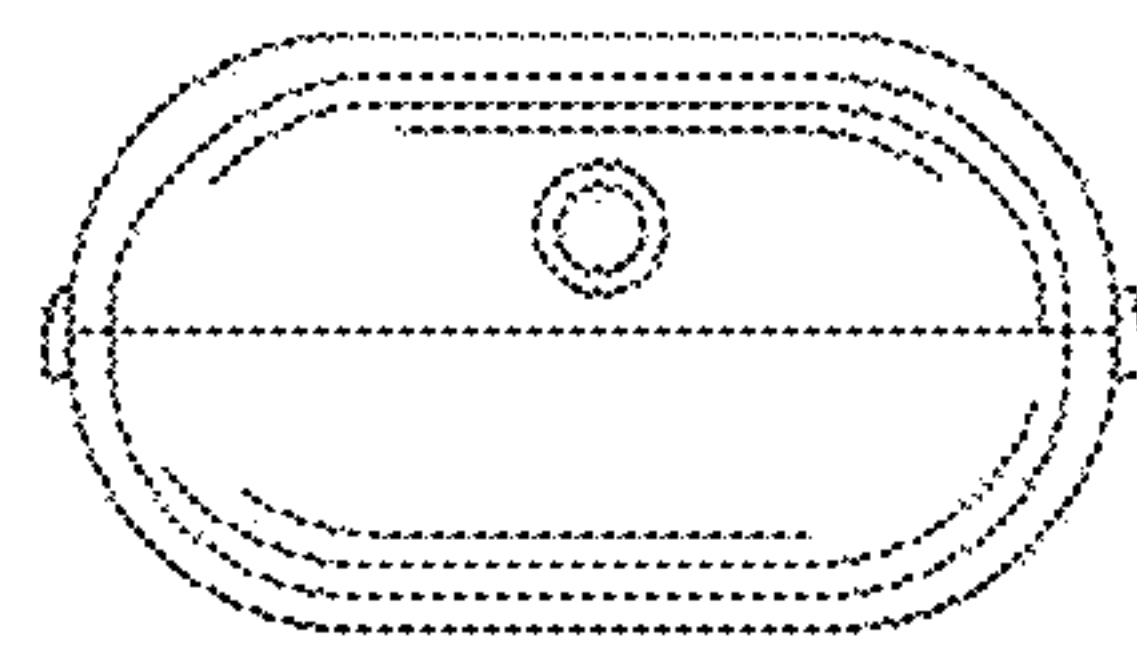


FIG. 5

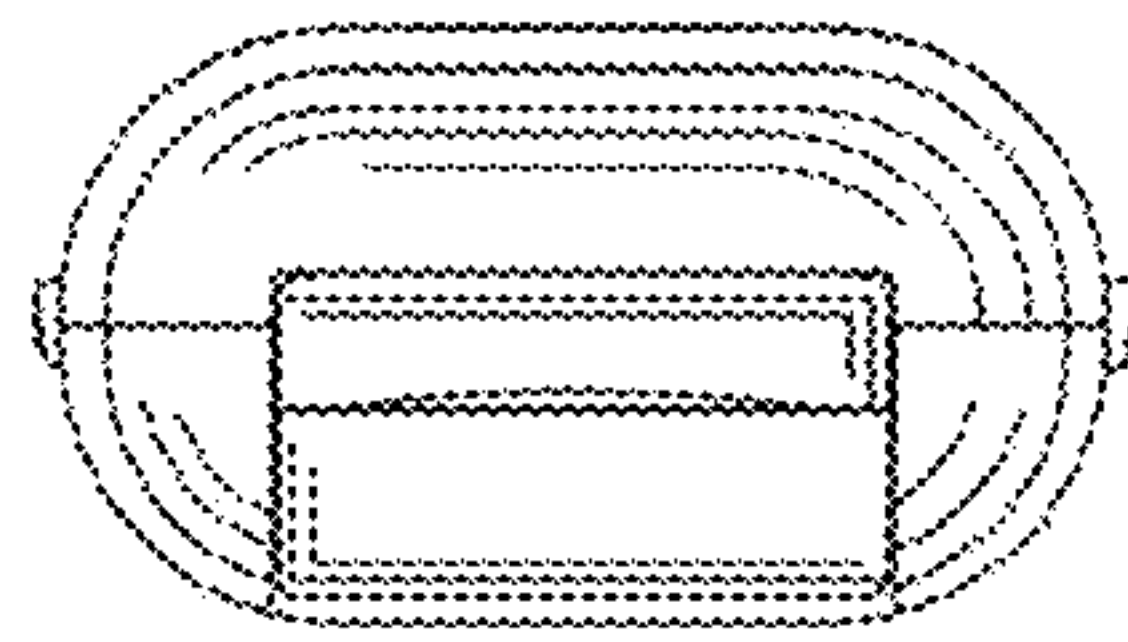


FIG. 6

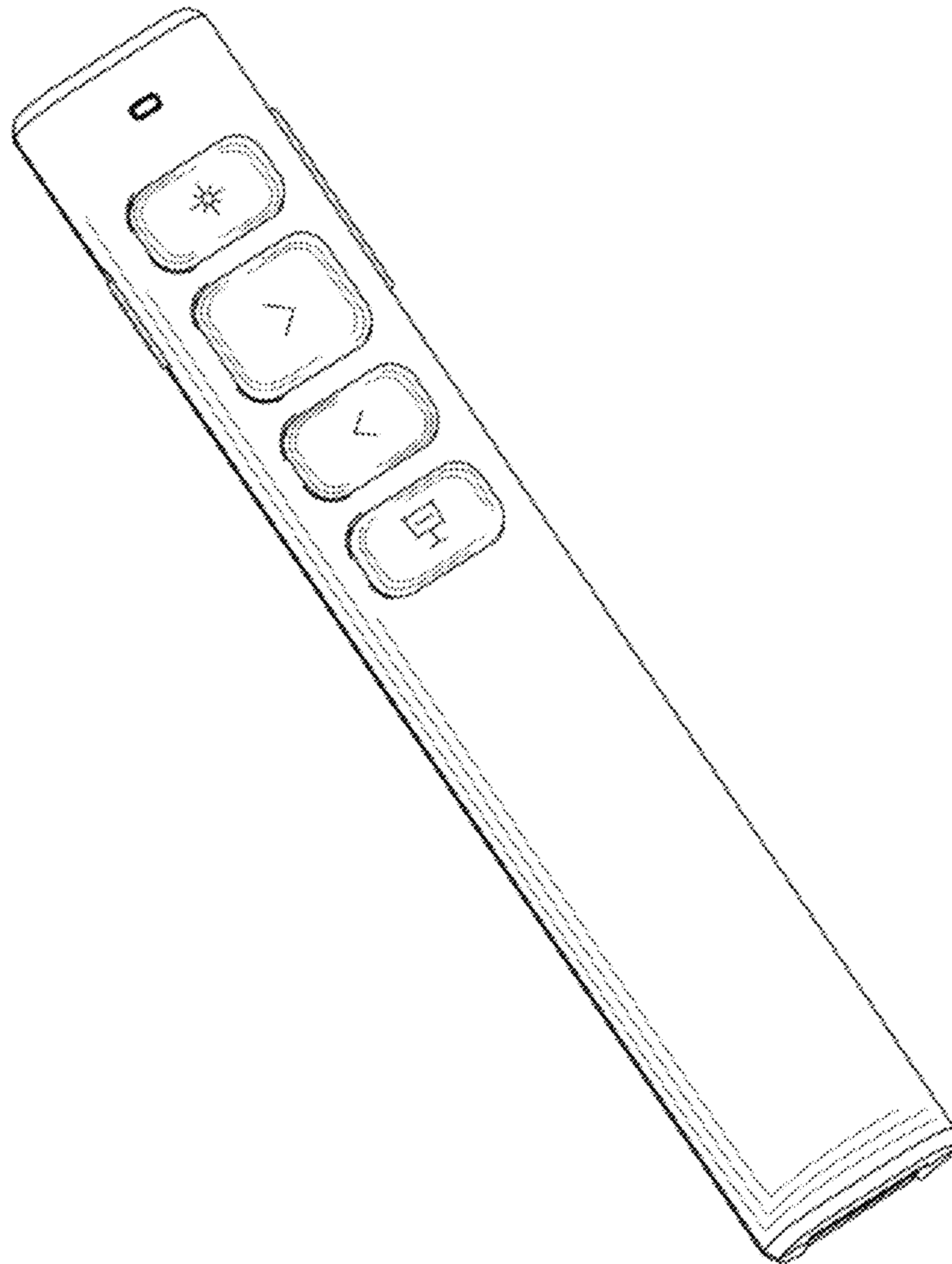


FIG. 7

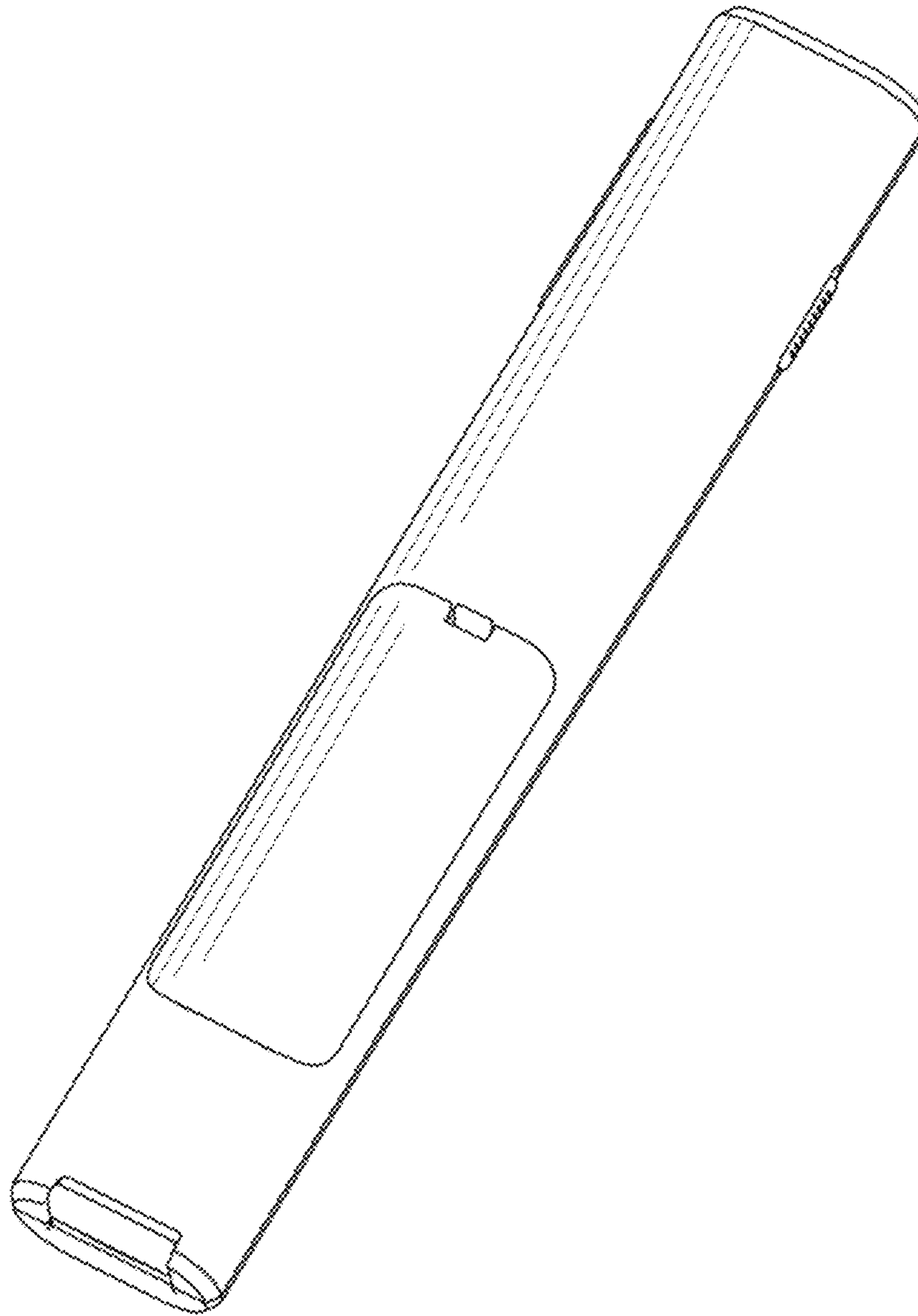


FIG. 8