



US00D913988S

(12) **United States Design Patent**  
**Bellham**

(10) **Patent No.:** **US D913,988 S**  
(45) **Date of Patent:** **\*\* Mar. 23, 2021**

(54) **HEADSET**

(71) Applicant: **GN Audio A/S**, Ballerup (DK)

(72) Inventor: **Philip Bellham**, Ballerup (DK)

(73) Assignee: **GN AUDIO A/S**, Ballerup (DK)

(\*\*) Term: **15 Years**

(21) Appl. No.: **29/690,704**

(22) Filed: **May 9, 2019**

(30) **Foreign Application Priority Data**

Nov. 30, 2018 (EM) ..... 005839834-0001

(51) **LOC (13) Cl.** ..... **14-01**

(52) **U.S. Cl.**  
USPC ..... **D14/205**

(58) **Field of Classification Search**  
USPC ..... D14/205, 188, 192; D29/112; 2/209;  
381/380, 381, 374; 455/90.3, 575.1,  
455/569.1

CPC ..... H04R 25/00; H04R 1/10; H04R 1/1066;  
H04R 1/1016; H04R 5/033; H04R 5/0335  
See application file for complete search history.

(56) **References Cited**

**U.S. PATENT DOCUMENTS**

- 2,812,517 A \* 11/1957 Bogart ..... A61F 11/06  
2/174
- D246,242 S \* 11/1977 Bellini ..... D14/205
- D255,352 S \* 6/1980 Besasie ..... D14/205
- D328,461 S \* 8/1992 Daido ..... D14/205
- D405,449 S \* 2/1999 Nakamura ..... D14/205
- D468,723 S \* 1/2003 Pham ..... D14/205
- D476,639 S \* 7/2003 Bergeron ..... D14/205
- 7,172,052 B2 \* 2/2007 Lenhard-Backhaus .....  
H04R 1/1066  
181/129
- D552,077 S \* 10/2007 Brunner ..... D14/205

- D563,382 S \* 3/2008 Wikel ..... D14/205
- D573,581 S \* 7/2008 Gondo ..... D14/205
- D588,098 S \* 3/2009 Kurihara ..... D14/205
- D592,182 S \* 5/2009 Sanguinetti ..... D14/205
- D625,705 S \* 10/2010 Ohori ..... D14/205
- D632,668 S \* 2/2011 Brunner ..... D14/205
- D634,732 S \* 3/2011 Kondo ..... D14/205
- D641,003 S \* 7/2011 Alden ..... D14/205
- 8,098,872 B2 \* 1/2012 Chang ..... H04R 1/1075  
381/371
- D657,344 S \* 4/2012 Brunner ..... D14/205

(Continued)

*Primary Examiner* — Paula Allen Greene

(74) *Attorney, Agent, or Firm* — Hamre, Schumann,  
Mueller & Larson, P.C.

(57) **CLAIM**

The ornamental design for a headset, as shown and described.

**DESCRIPTION**

FIG. 1 is a bottom perspective view of the headset. The headset is symmetrical to the extent it is not visible in the remaining figures. Broken lines indicate boundaries of disclaimed subject matter. The disclaimed matter has an identical disclaimed portion on the other side, though not visible in this view.

FIG. 2 is top perspective view of FIG. 1 thereof.

FIG. 3 is a front perspective view of FIG. 1 thereof.

FIG. 4 is a side perspective view of FIG. 1 thereof.

FIG. 5 is a front view of FIG. 1 thereof.

FIG. 6 is a back view of FIG. 1 thereof.

FIG. 7 is a left side view of FIG. 1 thereof.

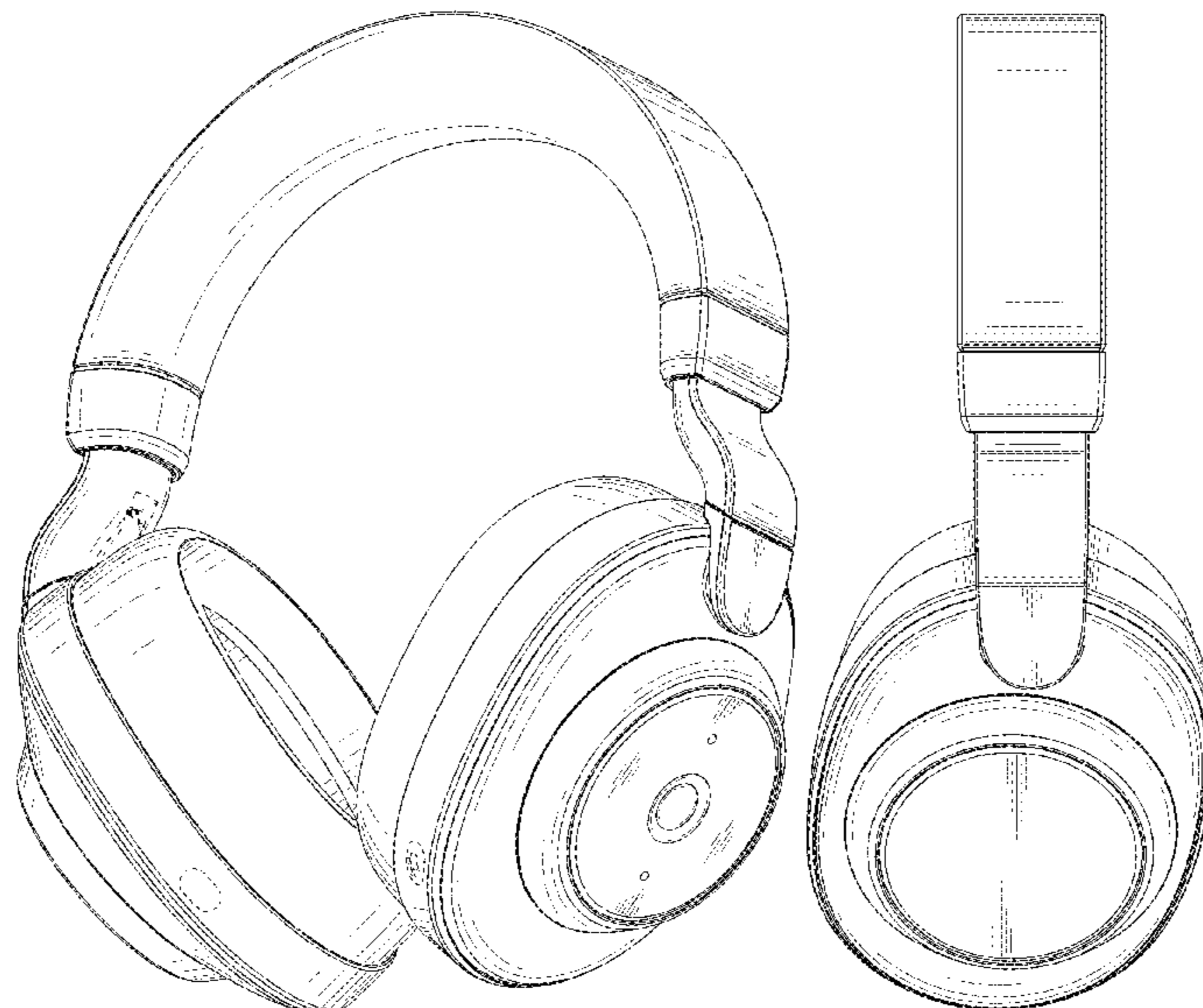
FIG. 8 is a right side view of FIG. 1 thereof with the earpiece pivoted slightly.

FIG. 9 is a top view of FIG. 1 thereof; and,

FIG. 10 is a bottom view of FIG. 1 thereof.

The features shown in broken lines depict environmental subject matter only and form no part of the claimed design.

**1 Claim, 10 Drawing Sheets**



(56)

## References Cited

## U.S. PATENT DOCUMENTS

D658,156	S *	4/2012	Olodort .....	D14/205
D660,823	S *	5/2012	Hardi .....	D14/205
D660,824	S *	5/2012	Hardi .....	D14/205
D662,080	S *	6/2012	Carr .....	D14/205
D663,716	S *	7/2012	Hardi .....	D14/205
8,295,529	B2 *	10/2012	Petersen .....	H04R 1/083 381/374
D673,136	S *	12/2012	Kelly .....	D14/205
D673,518	S *	1/2013	Tan .....	D14/205
D673,519	S *	1/2013	Tan .....	D14/205
D673,520	S *	1/2013	Tan .....	D14/205
D675,595	S *	2/2013	Cho .....	D14/205
D677,647	S *	3/2013	Lee .....	D14/205
D683,329	S *	5/2013	Hagelin .....	D14/205
D686,190	S *	7/2013	Karacal .....	D14/205
D691,984	S *	10/2013	Wang .....	D14/205
D724,561	S *	3/2015	Ko .....	D14/205
9,031,254	B2 *	5/2015	Heise .....	H04R 1/1066 381/74
D732,504	S *	6/2015	Funayama .....	D14/205
D739,842	S	9/2015	Birger	
D750,041	S	2/2016	Birger	
D769,218	S *	10/2016	Mittal .....	D14/205
D797,075	S *	9/2017	Mauro .....	D14/205
D806,675	S *	1/2018	Fuglsang .....	D14/206
D806,676	S *	1/2018	Fuglsang .....	D14/206
D842,267	S	3/2019	Pedersen	
D842,270	S *	3/2019	Chen .....	D14/205
D849,713	S *	5/2019	Hanggi .....	D14/205
D878,327	S *	3/2020	Dhondt .....	D14/205
D879,066	S *	3/2020	Chen .....	D14/205
D881,840	S *	4/2020	Chen .....	D14/205
D890,123	S *	7/2020	Yoshimura .....	D14/205
2016/0198250	A1 *	7/2016	Pan .....	G06F 3/0304 381/74

\* cited by examiner



FIG. 1





FIG. 2



FIG. 3

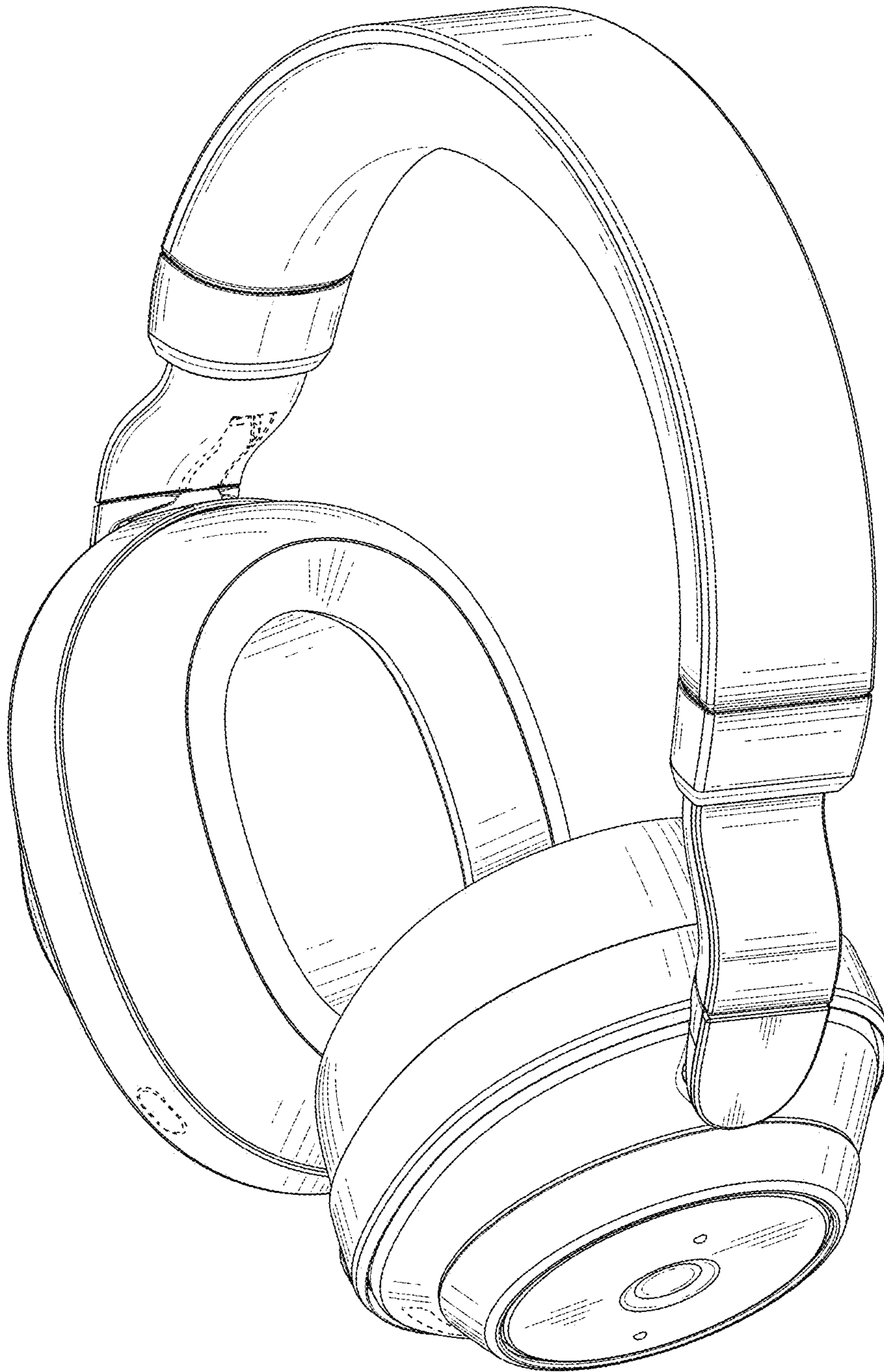


FIG. 4



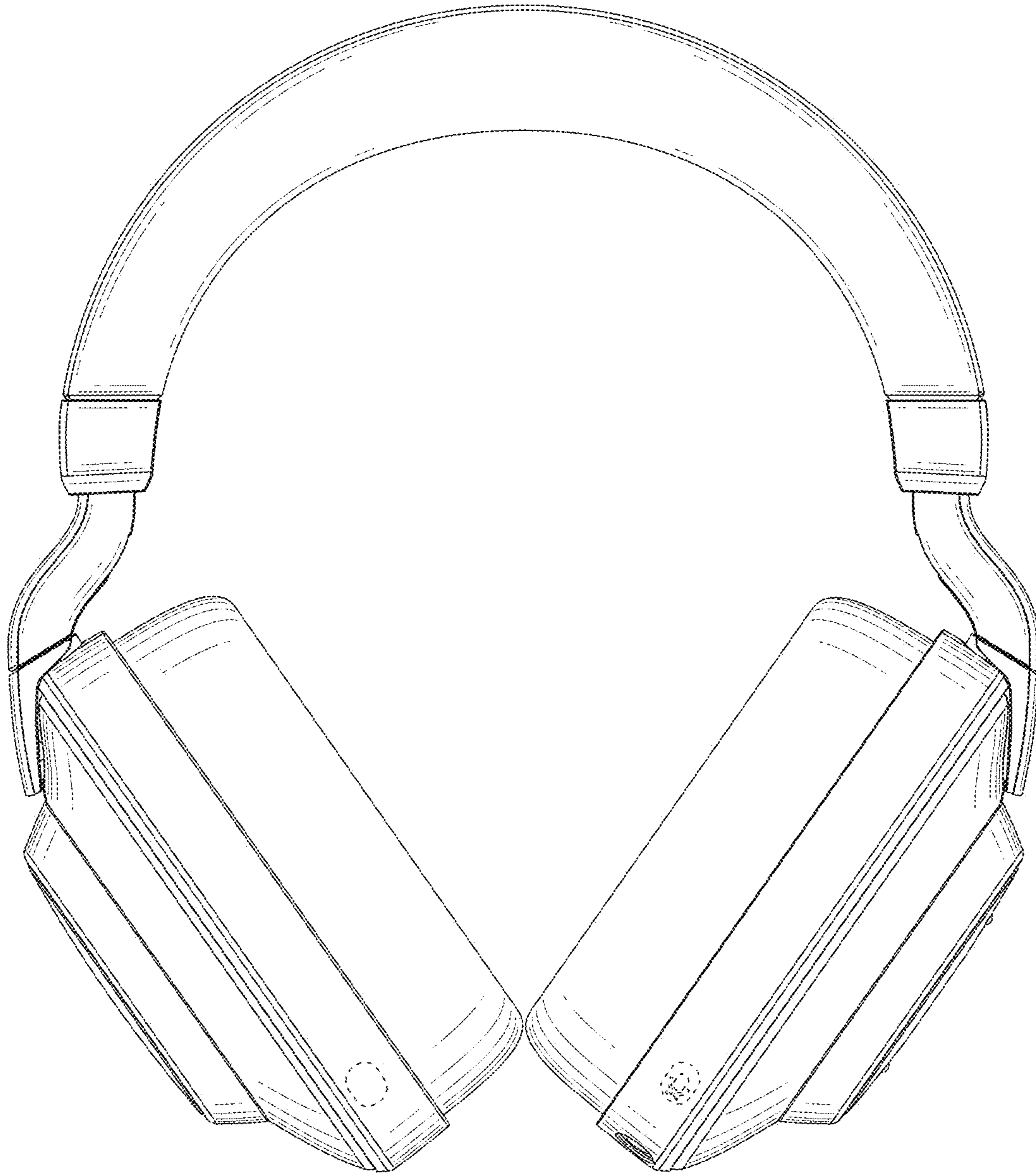


FIG. 5



FIG. 6



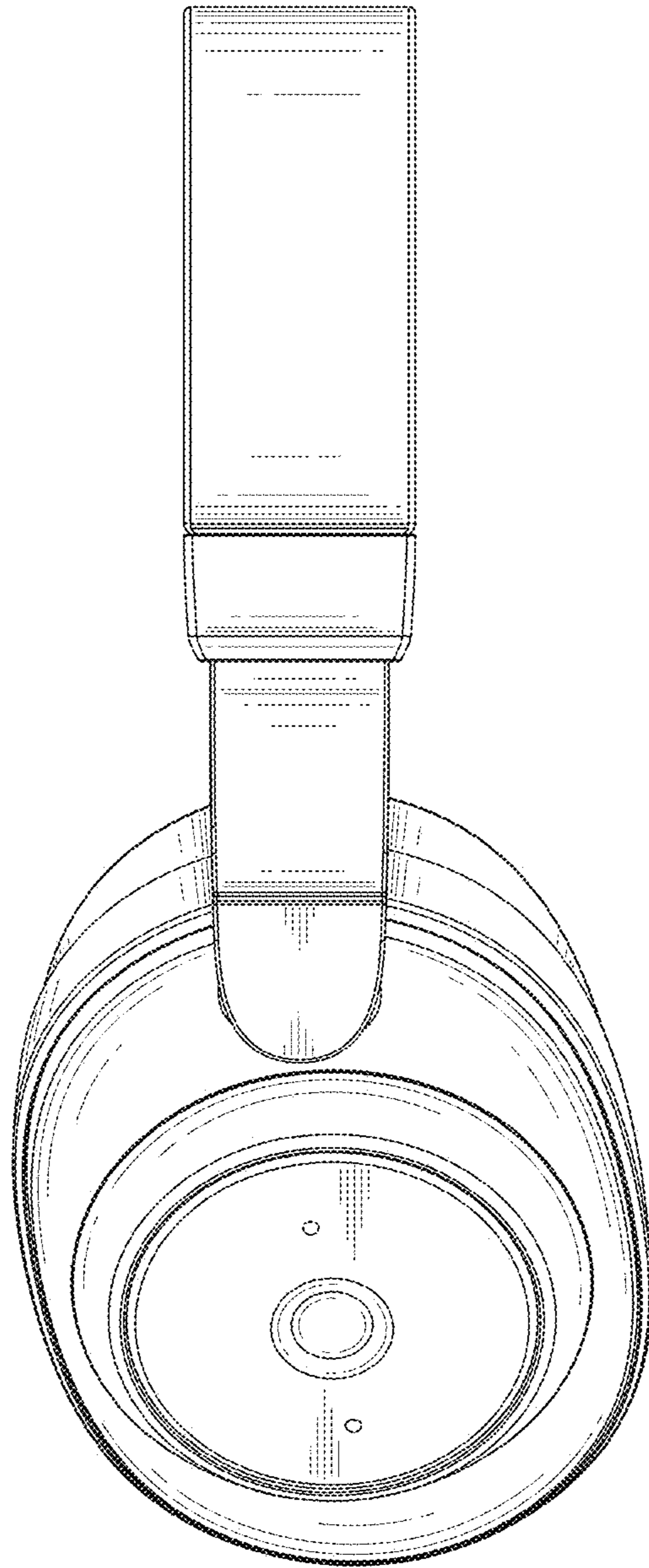


FIG. 7

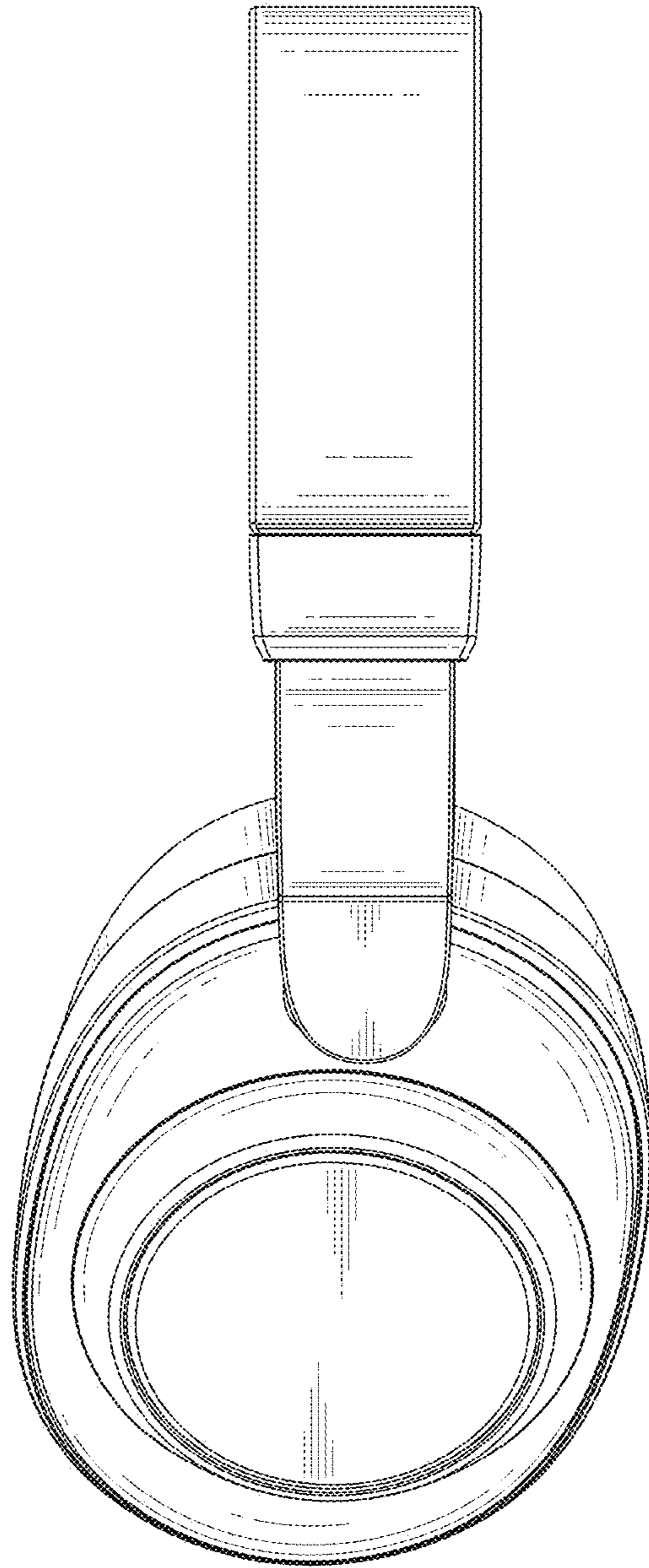


FIG. 8

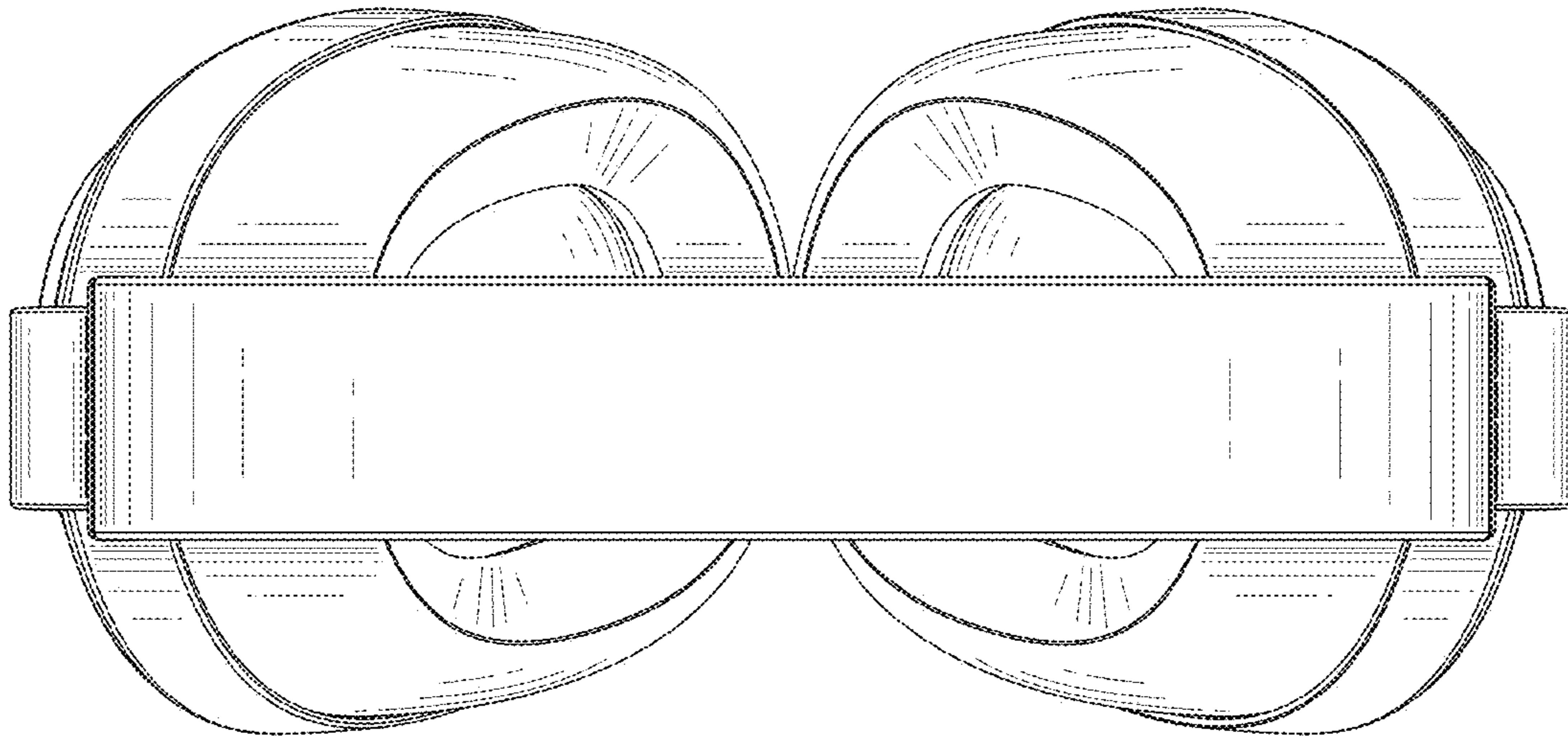


FIG. 9



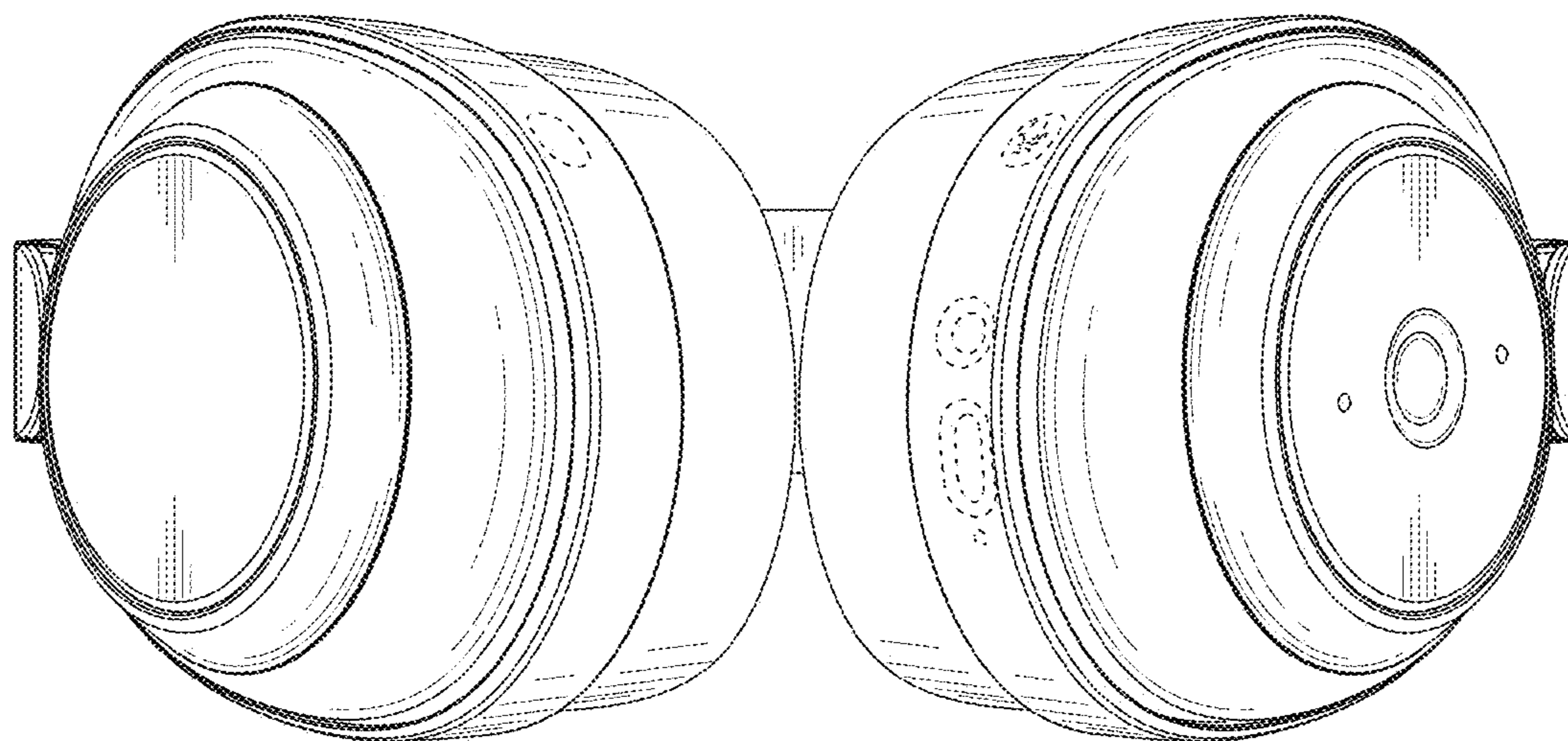


FIG. 10