



US00D913987S

(12) **United States Design Patent**  
**Li**

(10) **Patent No.:** **US D913,987 S**  
(45) **Date of Patent:** **\*\* Mar. 23, 2021**

(54) **WIRELESS SPEAKER**

(71) Applicant: **Yu Li**, Shenzhen (CN)

(72) Inventor: **Yu Li**, Shenzhen (CN)

(\*\*) Term: **15 Years**

(21) Appl. No.: **29/716,403**

(22) Filed: **Dec. 10, 2019**

(51) **LOC (13) Cl.** ..... **14-01**

(52) **U.S. Cl.**  
USPC ..... **D14/204**; D14/214

(58) **Field of Classification Search**  
USPC ..... D14/155–159, 160–173, 187–188,  
D14/203.1–203.8, 204–216, 217–222,  
D14/225–229, 496  
CPC ..... H04R 1/02; H04R 1/021; H04R 1/023;  
H04R 5/00; H04R 9/06; H04R 24/00/07  
See application file for complete search history.

(56) **References Cited**

**U.S. PATENT DOCUMENTS**

D597,064 S	*	7/2009	Machida	.....	D14/167
D621,384 S	*	8/2010	Kao	.....	D14/214
D729,762 S	*	5/2015	Hu	.....	D14/194
D756,966 S	*	5/2016	Feng	.....	D14/214
D783,434 S	*	4/2017	Kalyan	.....	D10/106.2
D790,539 S	*	6/2017	Lee	.....	D14/358
D833,416 S	*	11/2018	Hu	.....	D14/204
D837,185 S	*	1/2019	Enqvist	.....	D14/214
D852,161 S	*	6/2019	Hannibal, III	.....	D14/172
D870,702 S	*	12/2019	Xiao	.....	D14/214
D880,447 S	*	4/2020	Chen	.....	D14/204
D881,845 S	*	4/2020	Warnhammar	.....	D14/214
D886,789 S	*	6/2020	Huang	.....	D14/204
D890,117 S	*	7/2020	Sugiura	.....	D14/188

**FOREIGN PATENT DOCUMENTS**

CN	303903001	*	11/2016
CN	305269596	*	7/2019

CN	306189506	*	11/2020
EM	003778794-0001	*	3/2017
GB	6106836	*	11/2020
KR	300898606.0000	*	3/2017

(Continued)

**OTHER PUBLICATIONS**

Marshall Stanmore II Wireless Bluetooth Speaker, (c) 2018 [online], [retrieved Dec. 16, 2020], Retrieved from Internet, URL: <<https://www.amazon.com/Marshall-Stanmore-Wireless-Bluetooth-Speaker/dp/B07HPP2DMM>> (Year: 2018).\*

*Primary Examiner* — Barbara Fox

*Assistant Examiner* — Aram Kwon

(74) *Attorney, Agent, or Firm* — ZANIP

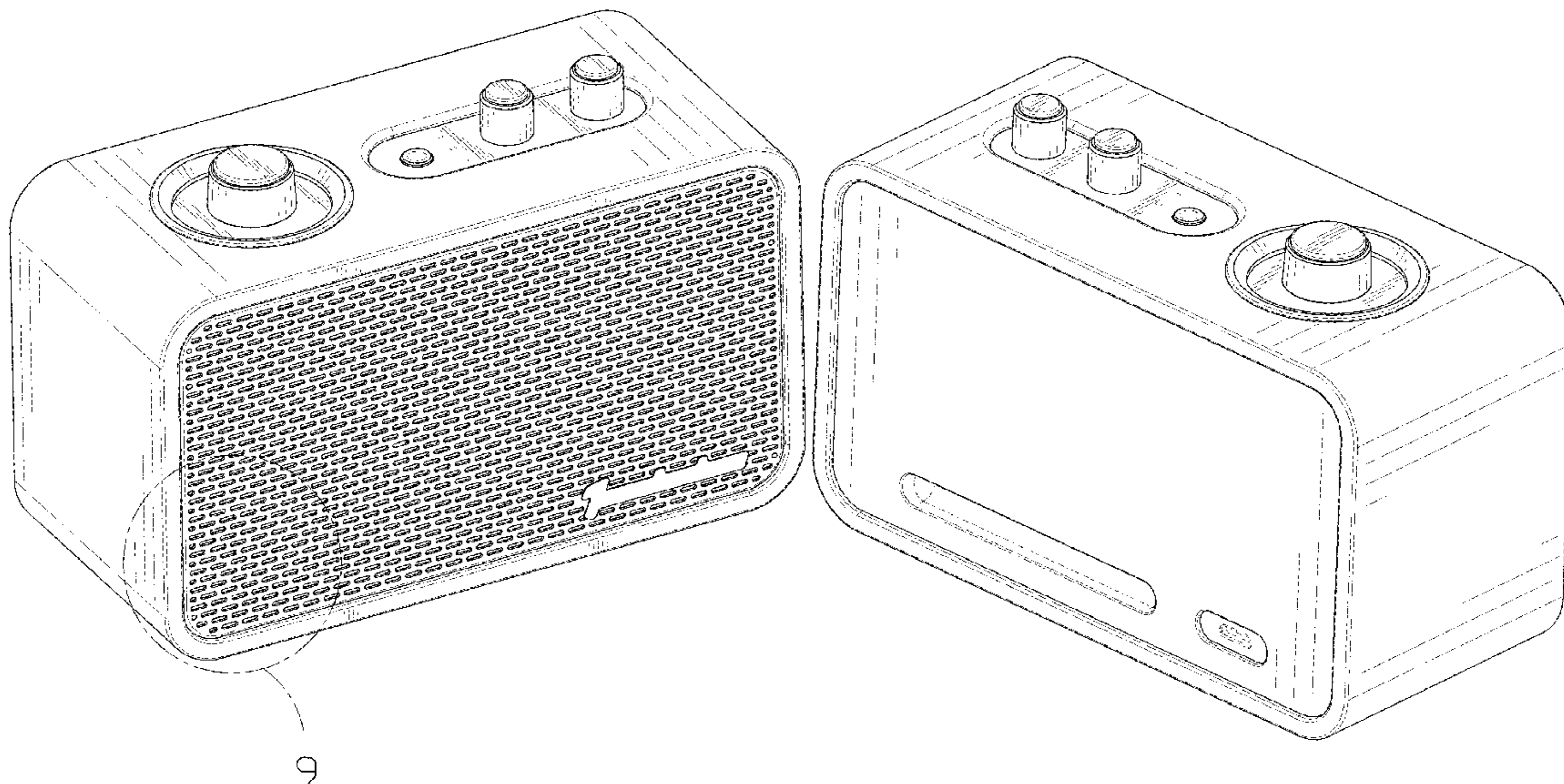
(57) **CLAIM**

The ornamental design for a wireless speaker, as shown and described.

**DESCRIPTION**

FIG. 1 is a front and top perspective view of a wireless speaker, showing my new design;  
FIG. 2 is a rear and top perspective view thereof;  
FIG. 3 is a front elevational view thereof;  
FIG. 4 is a rear elevational view thereof;  
FIG. 5 is a left side elevational view thereof;  
FIG. 6 is a right side elevational view thereof;  
FIG. 7 is a top plan view thereof;  
FIG. 8 is a bottom plan view thereof; and,  
FIG. 9 is an enlarged view of a portion indicated in FIG. 1. The evenly spaced broken lines shown in the drawings depict portions of the wireless speaker that form no part of claimed design. The dash-dot broken lines depicting enlarged portions form no part of the claimed design.

**1 Claim, 9 Drawing Sheets**



(56)

**References Cited**

FOREIGN PATENT DOCUMENTS

KR	300900541.0000	*	3/2017
KR	300958261.0000	*	5/2018
KR	300965538.0000	*	7/2018
KR	301022723.0000	*	9/2019
KR	301029042.0000	*	10/2019
KR	301080275.0000	*	10/2020

\* cited by examiner

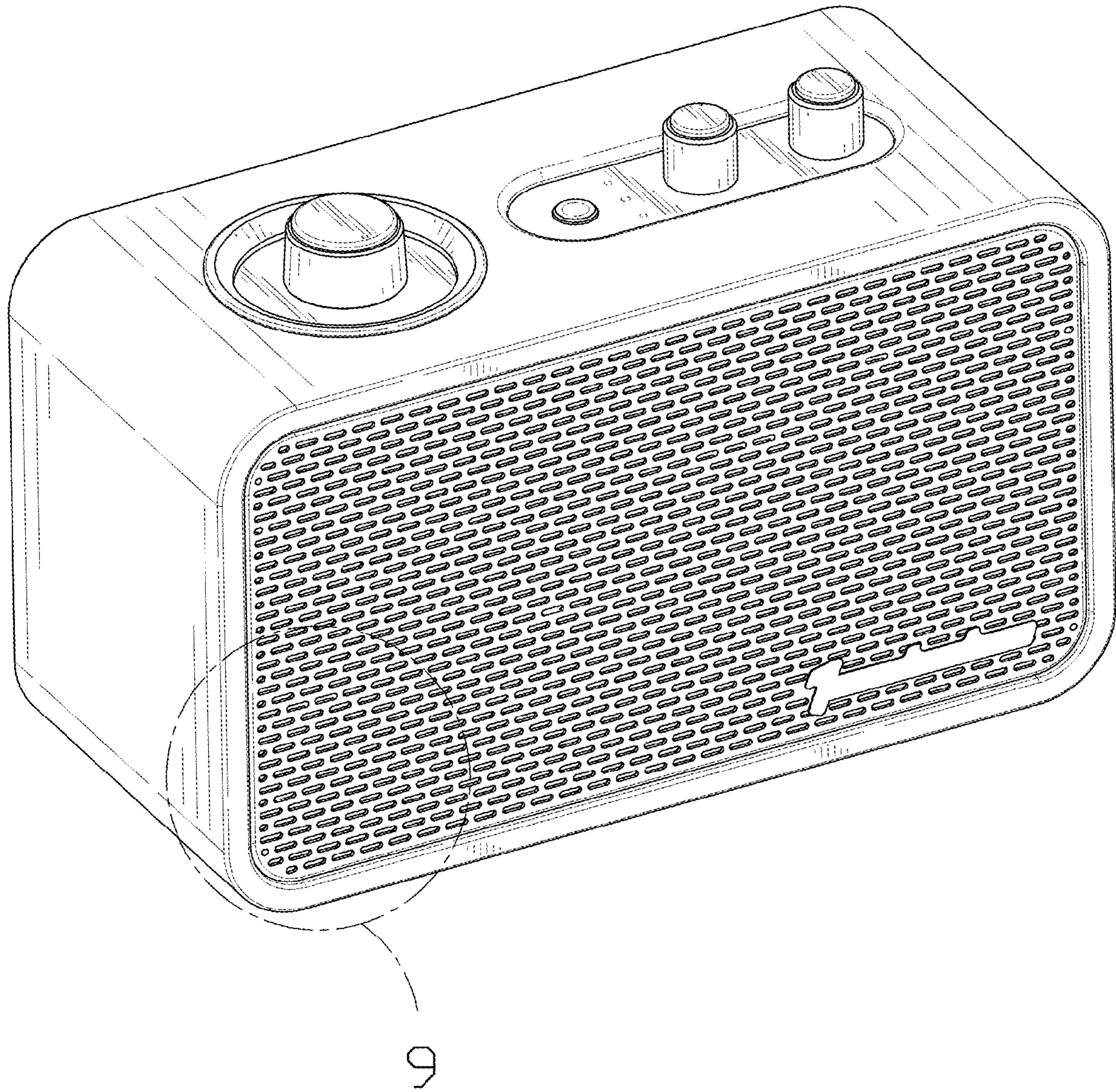


FIG. 1

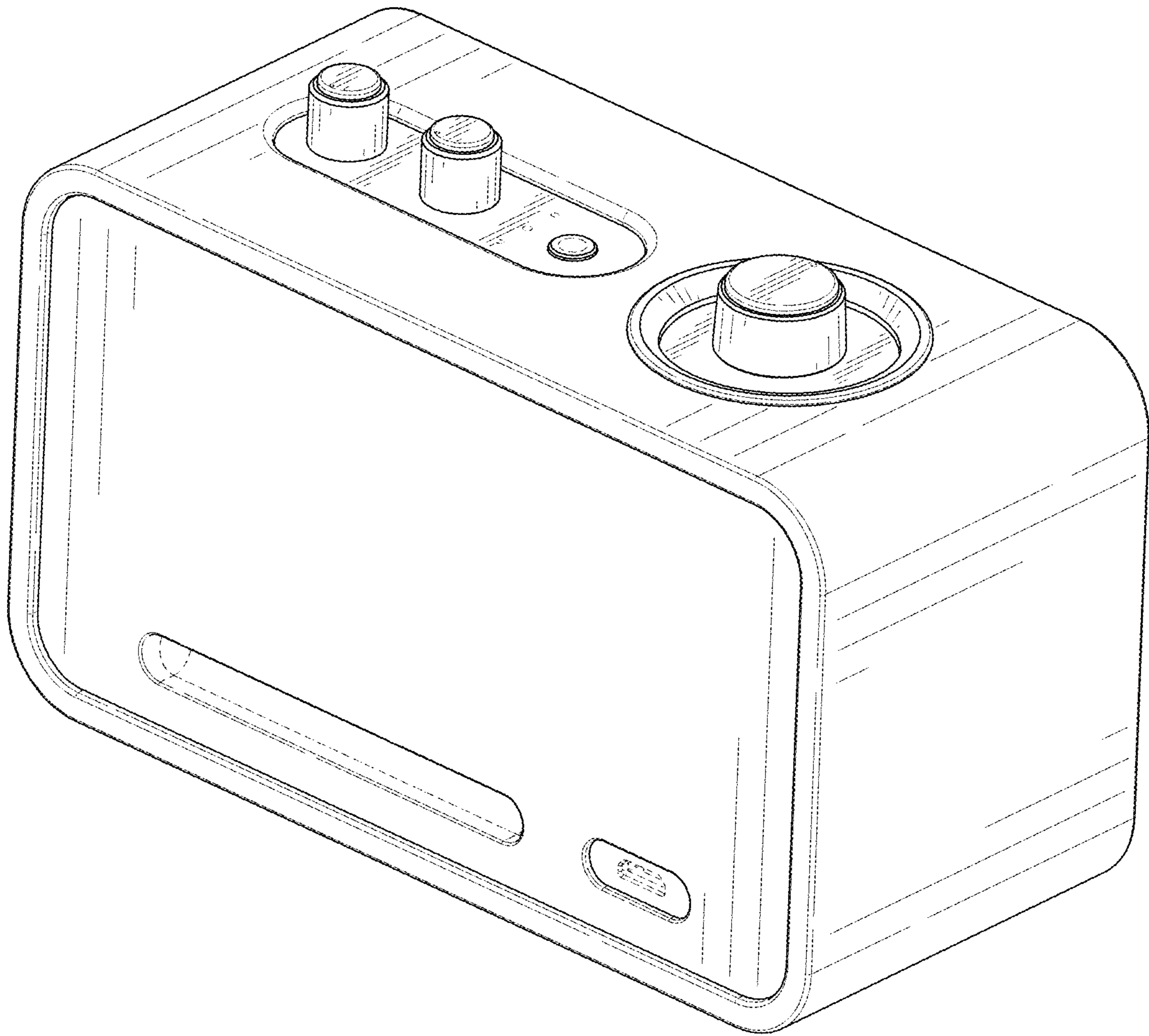


FIG. 2

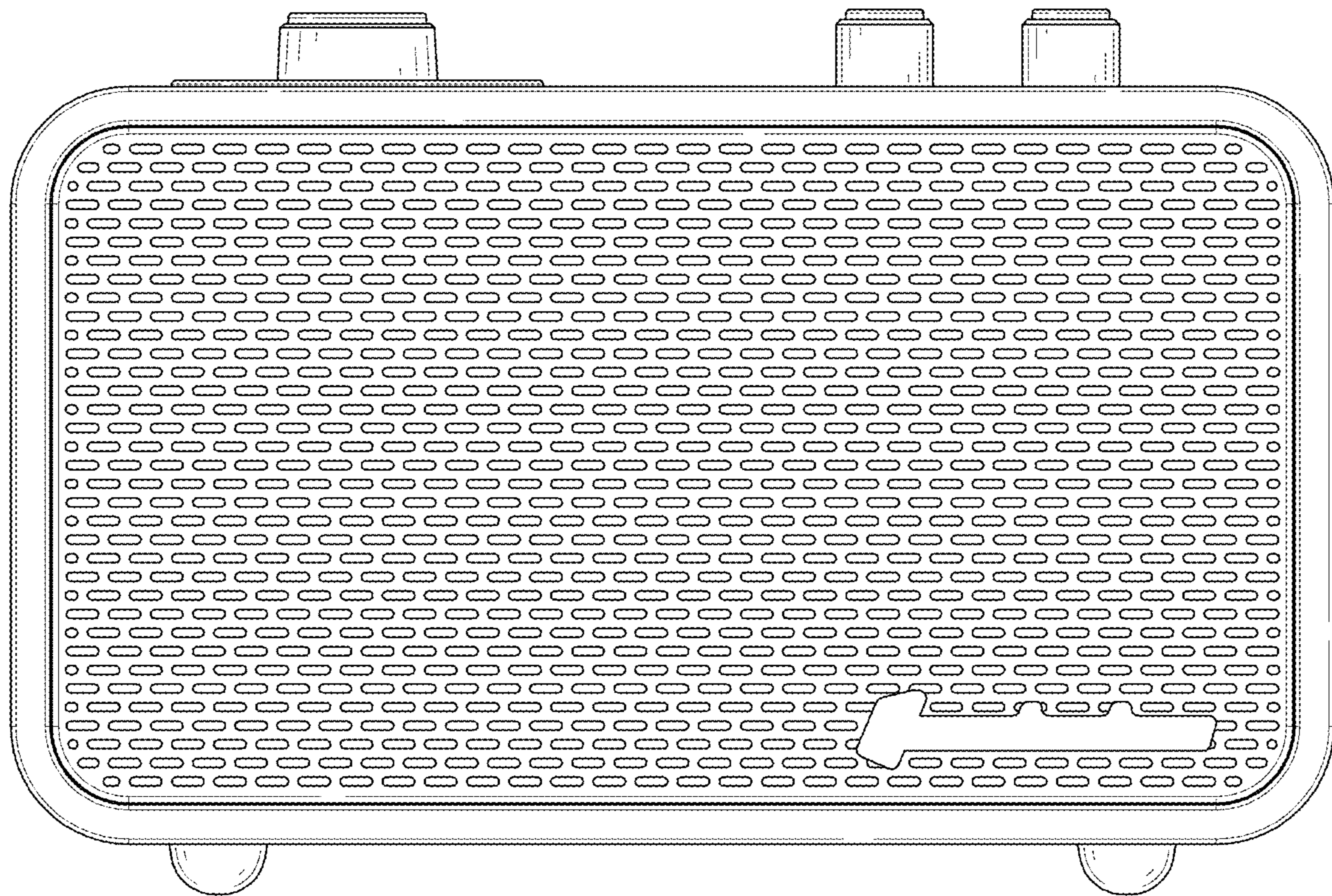


FIG. 3

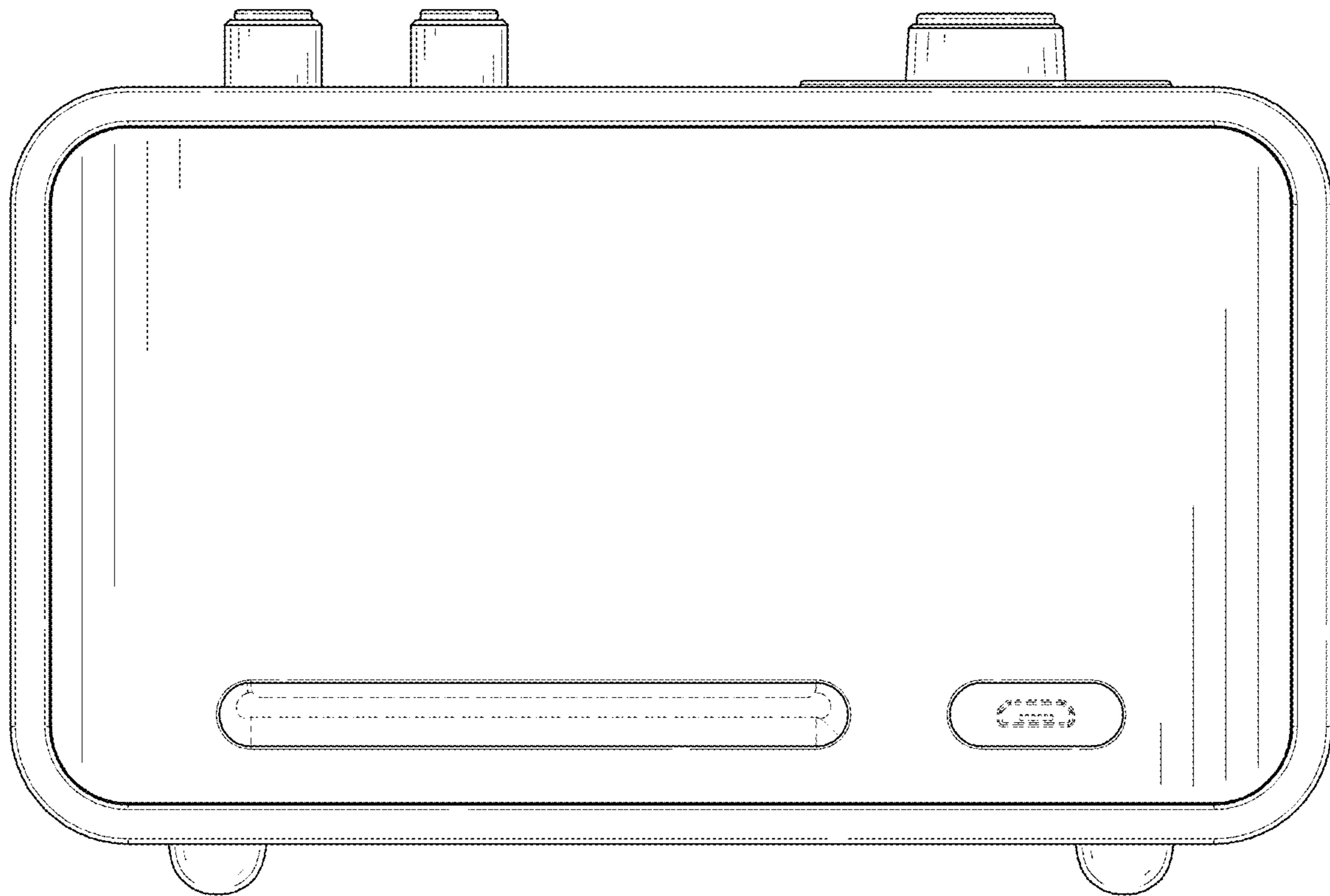


FIG. 4

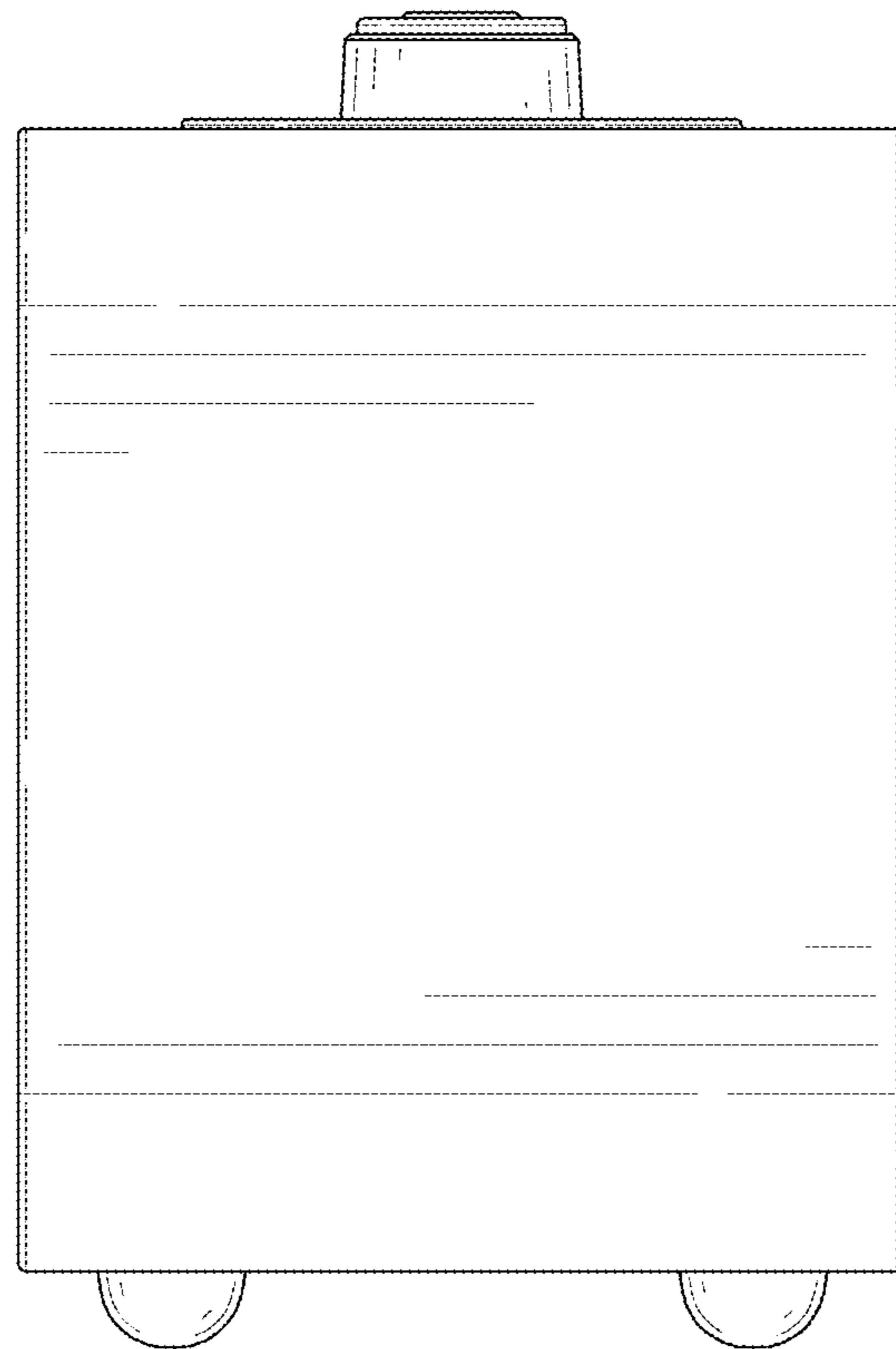


FIG. 5

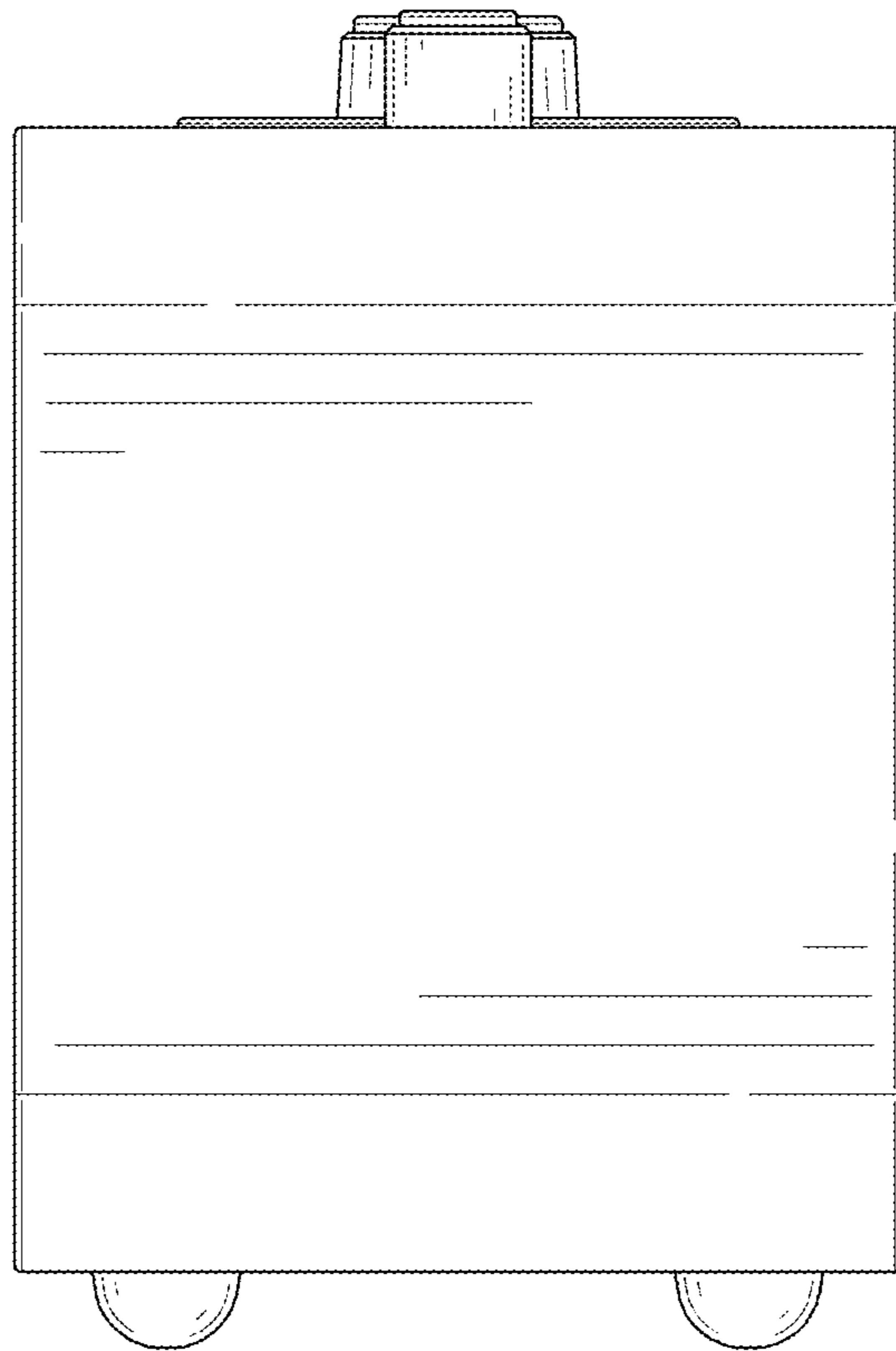


FIG. 6



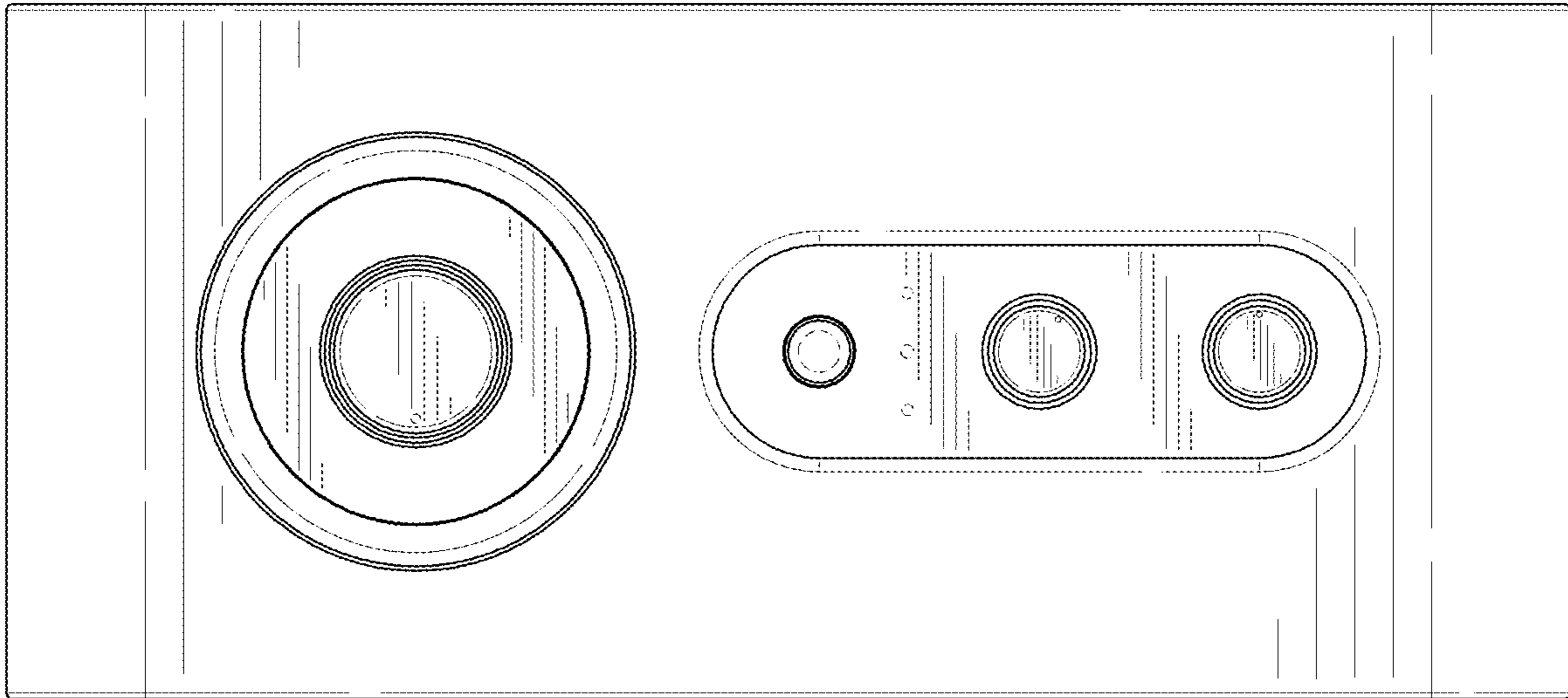


FIG. 7

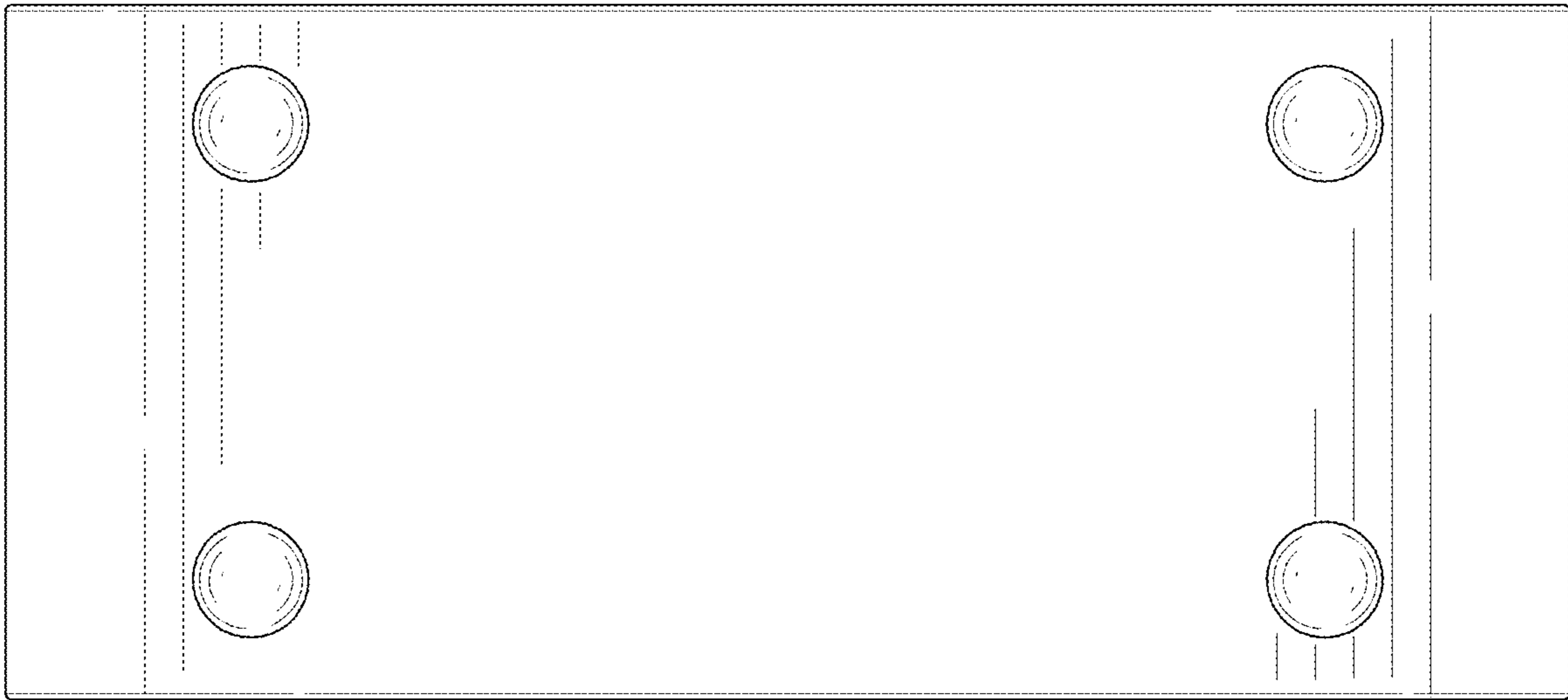


FIG. 8

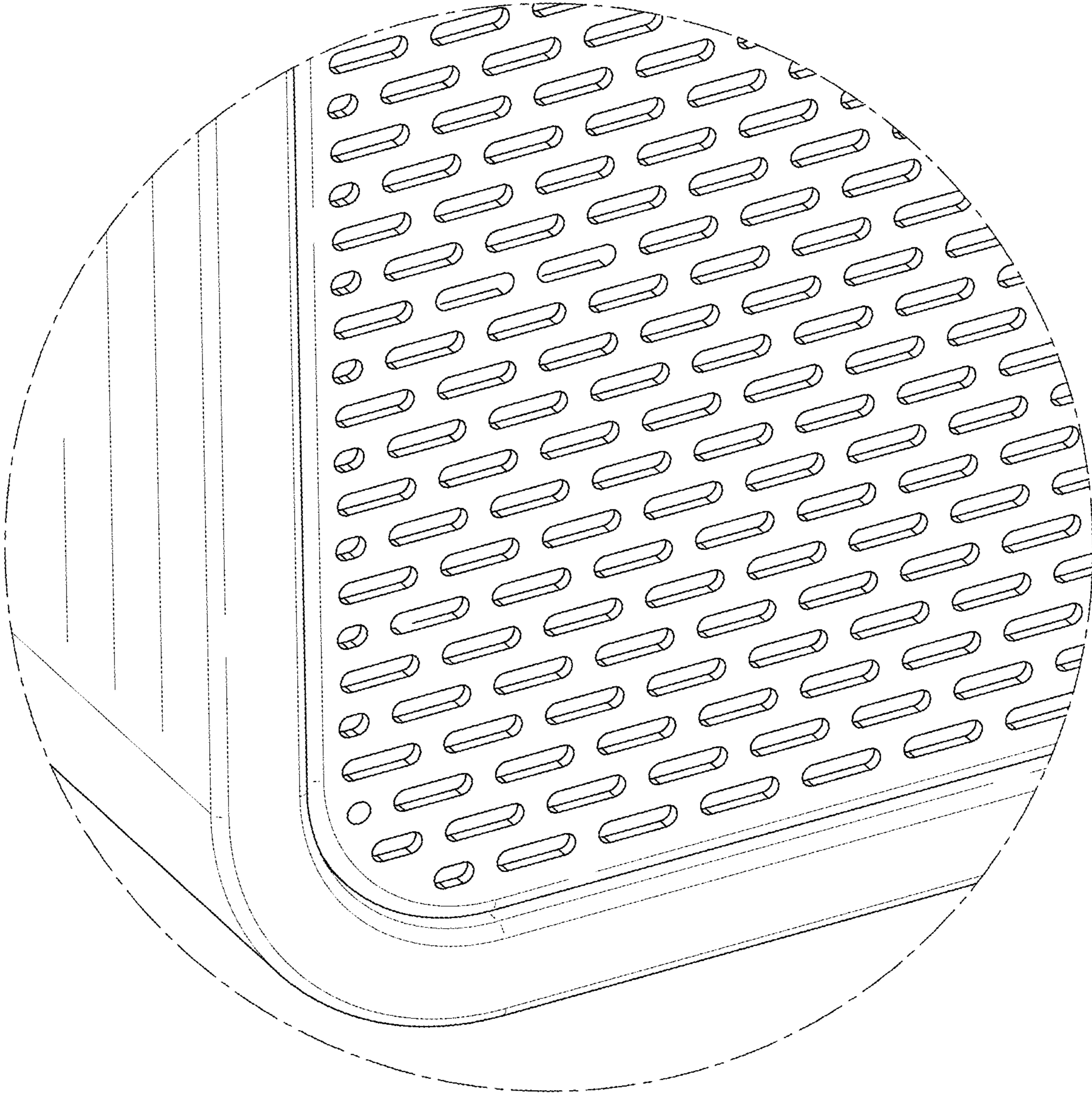


FIG. 9