



US00D913985S

(12) **United States Design Patent**
Wimer, IV

(10) **Patent No.:** **US D913,985 S**

(45) **Date of Patent:** **** Mar. 23, 2021**

(54) **ACOUSTIC DETERRENT HOUSING**

(71) Applicant: **VRAD Technology, LLC.**, Reedley, CA (US)

(72) Inventor: **Newton Richard Wimer, IV**, Dinuba, CA (US)

(**) Term: **15 Years**

(21) Appl. No.: **29/692,845**

(22) Filed: **May 29, 2019**

(51) **LOC (13) Cl.** **14-01**

(52) **U.S. Cl.**
USPC **D14/204**

(58) **Field of Classification Search**
USPC D14/170-172, 188, 203.1, 203.3, 204, D14/299, 348; D15/199; D22/199
CPC . H04R 1/02; H04R 1/023; H04R 5/02; H04R 7/00; H04R 7/02; H04R 9/06; H04R 2400/00

See application file for complete search history.

(56) **References Cited**

U.S. PATENT DOCUMENTS

5,610,876 A * 3/1997 Jeffers A01K 61/60
367/139
D500,025 S * 12/2004 Vincenot D14/204

D568,872 S * 5/2008 Gonzalez D14/214
D654,906 S * 2/2012 Warden D14/214
D655,272 S * 3/2012 Kawase D14/194
D692,863 S * 11/2013 Givre D14/214
D736,179 S * 8/2015 Speck D14/210
D752,015 S * 3/2016 Spillmann D14/204
2017/0215406 A1 * 8/2017 Dambra E04D 13/004

* cited by examiner

Primary Examiner — Janice Patyk

(57) **CLAIM**

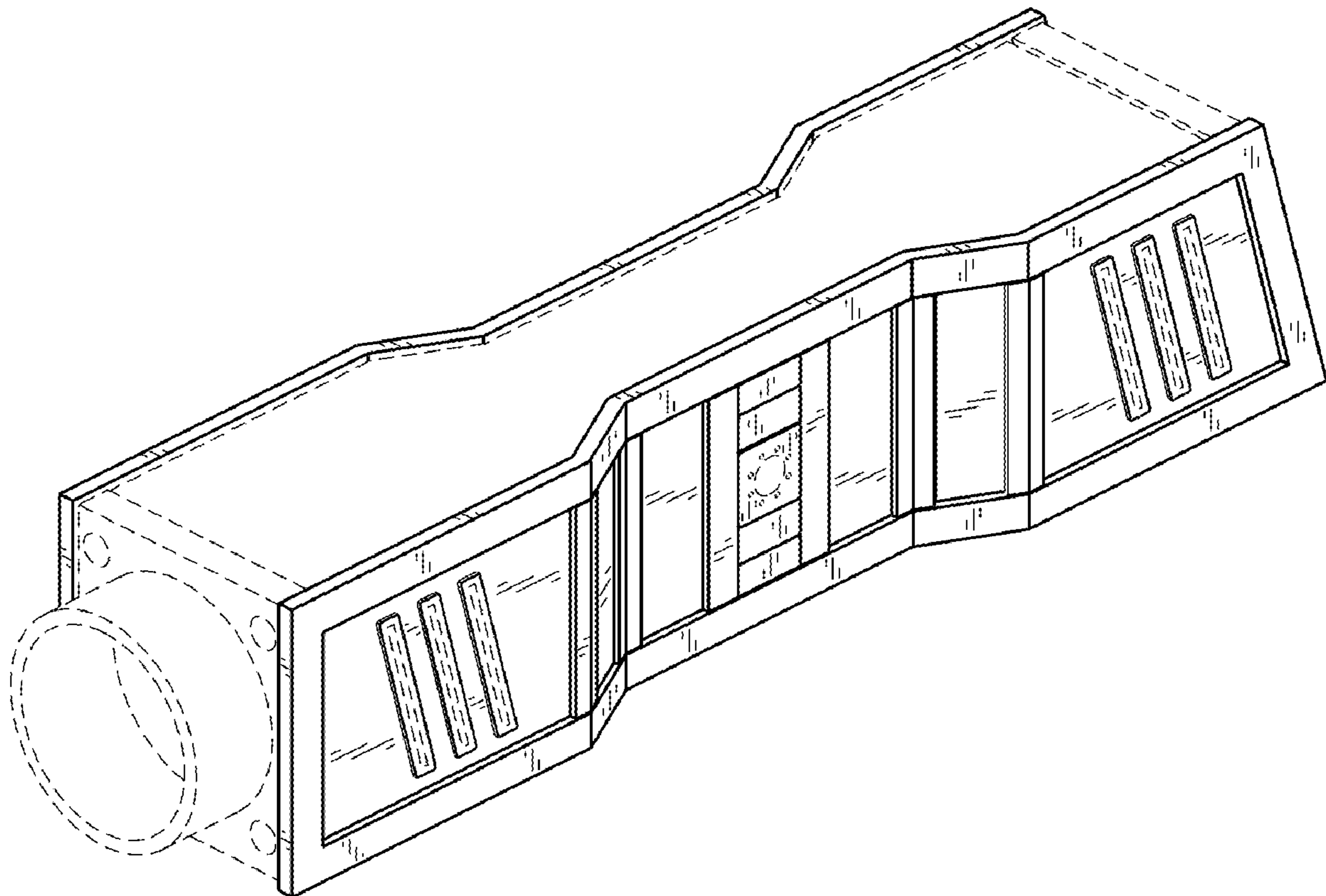
The ornamental design for an acoustic deterrent housing, as shown and described.

DESCRIPTION

FIG. 1 is a front perspective view of the acoustic deterrent housing showing my new design;
FIG. 2 is a rear perspective view thereof;
FIG. 3 is a front elevation view thereof the rear elevation view being a mirror image thereof;
FIG. 4 is a left side elevation view thereof;
FIG. 5 is a right side elevation view thereof;
FIG. 6 is a top plan view thereof; and,
FIG. 7 is a bottom plan view thereof.

The broken lines shown in the drawings illustrate portions of the acoustic deterrent housing that form no part of the claimed design.

1 Claim, 3 Drawing Sheets



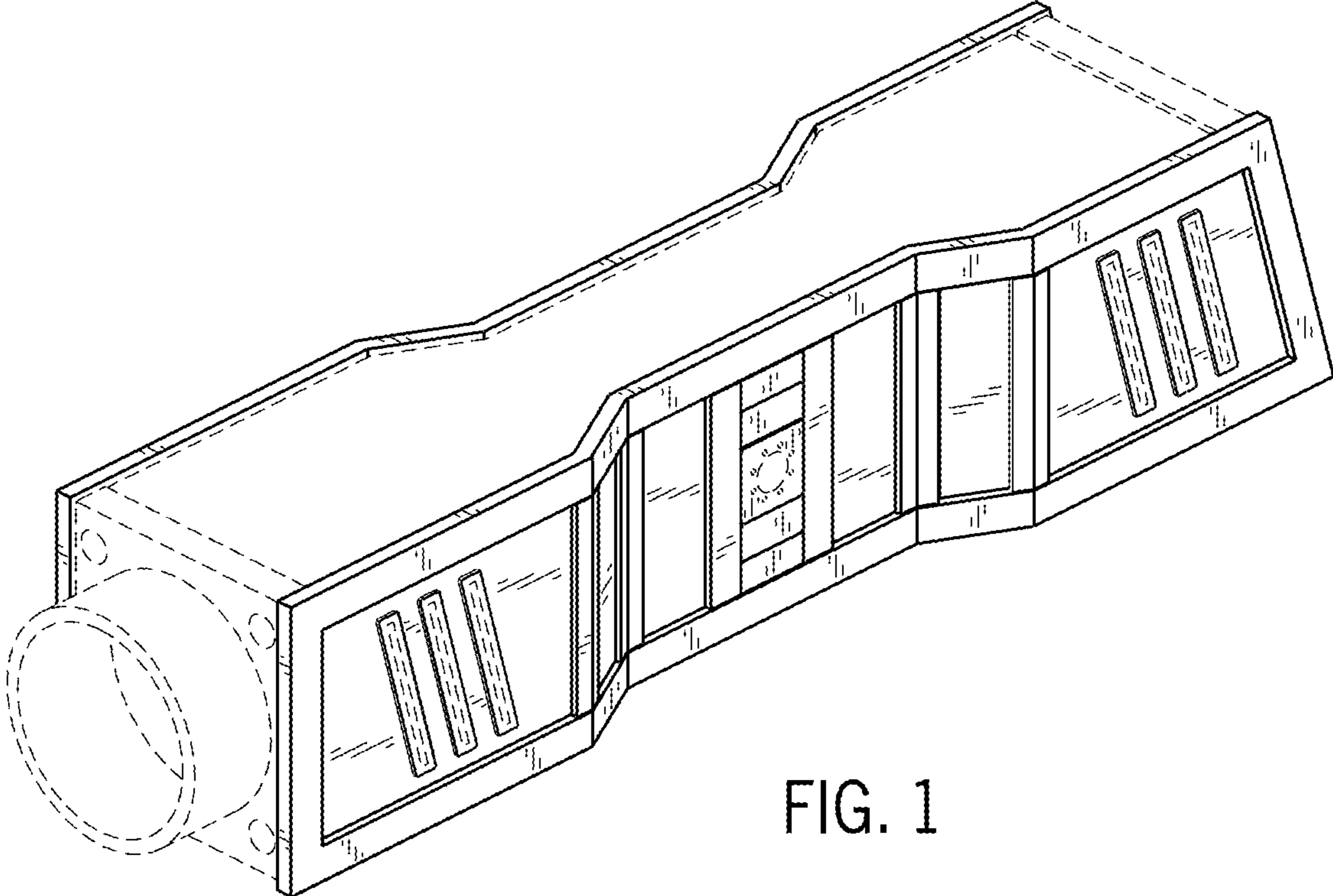


FIG. 1

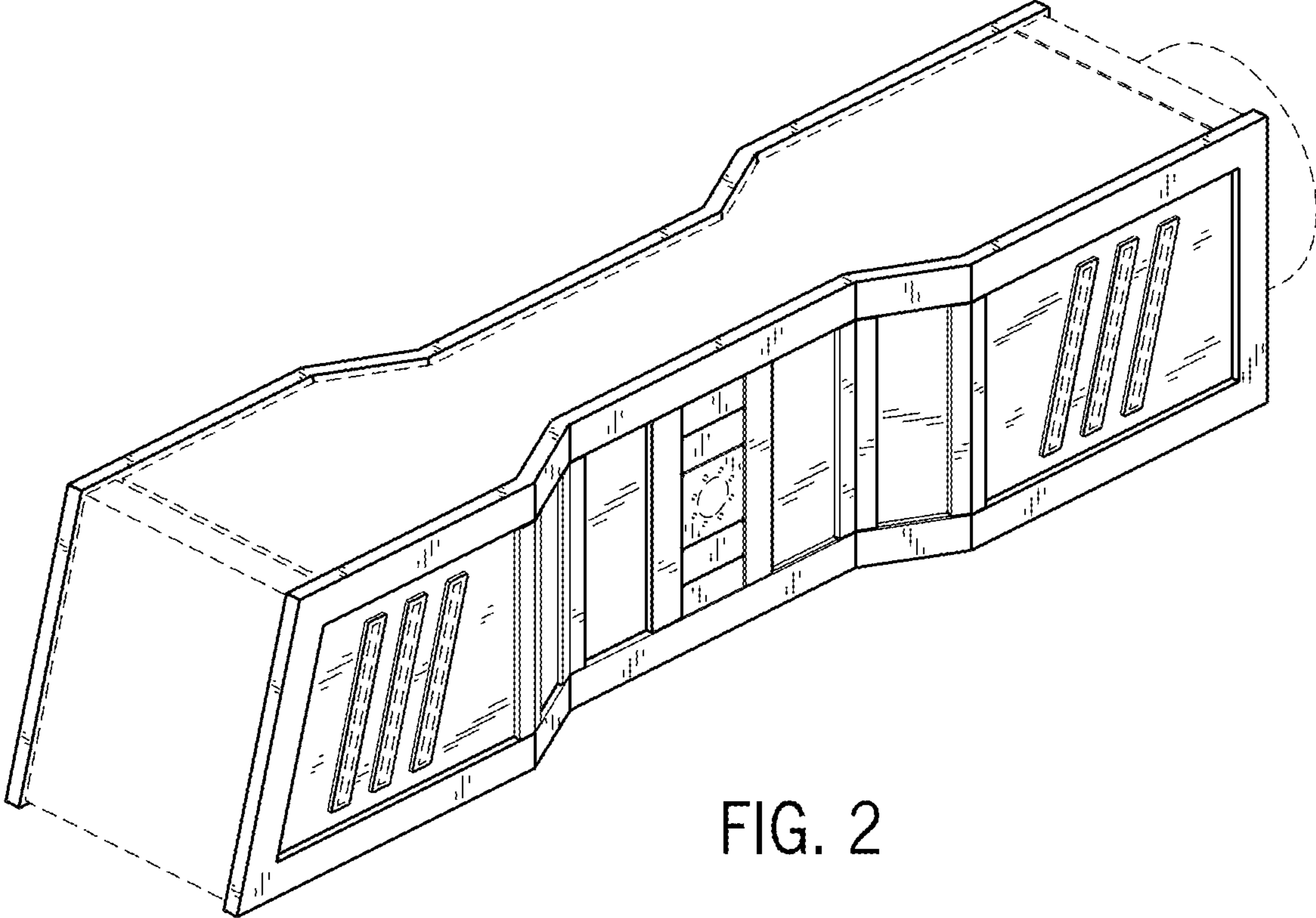


FIG. 2

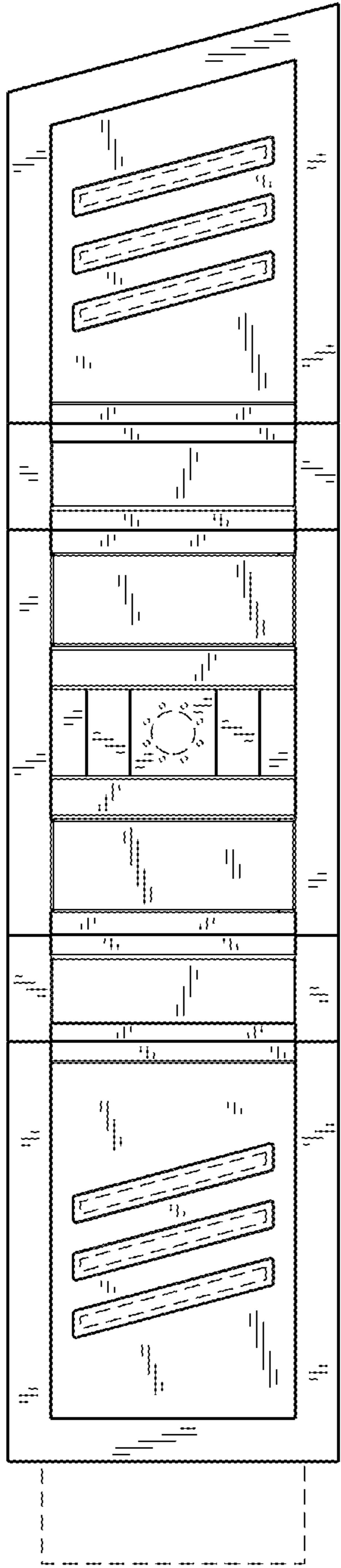


FIG. 3

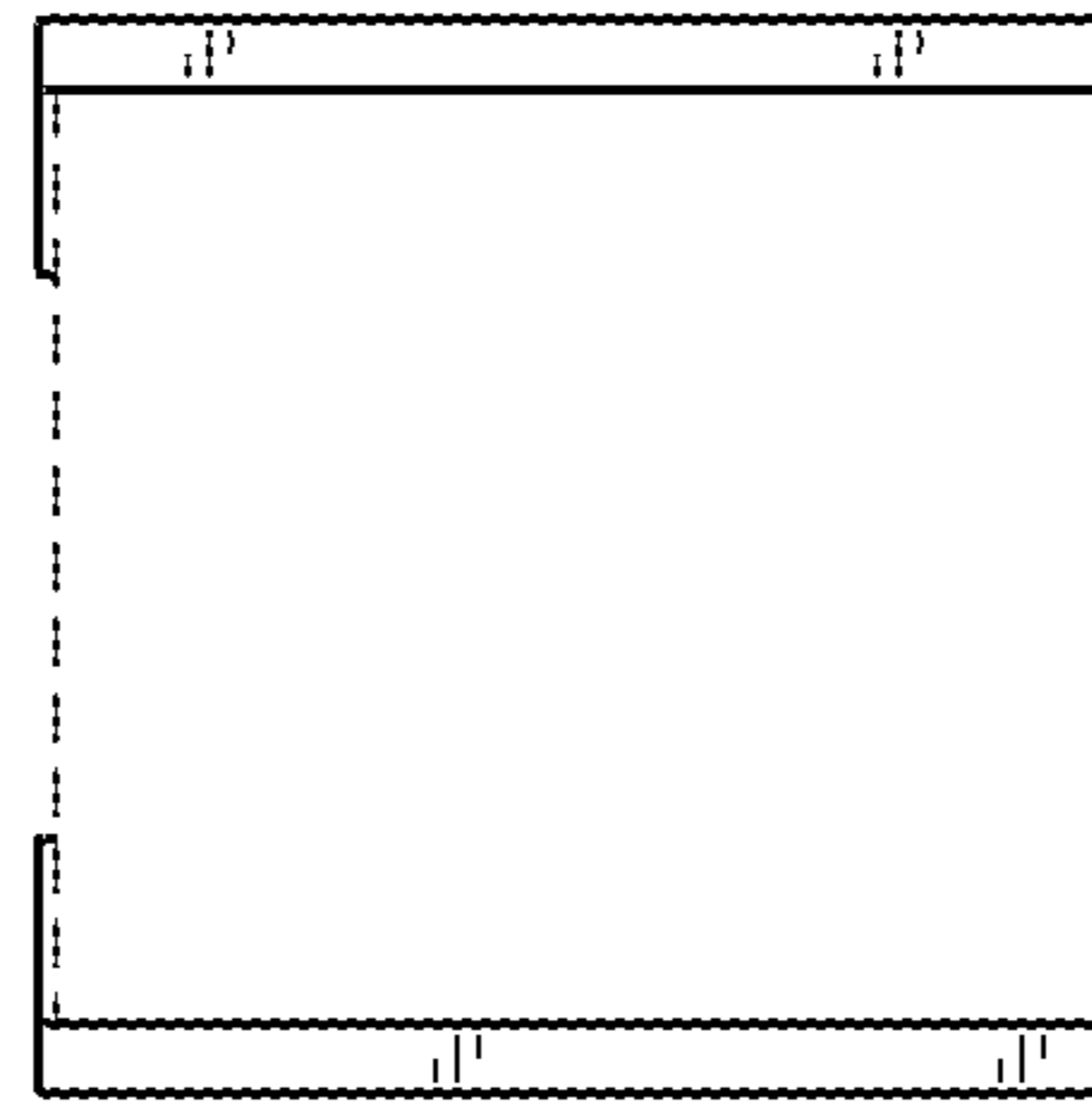


FIG. 5

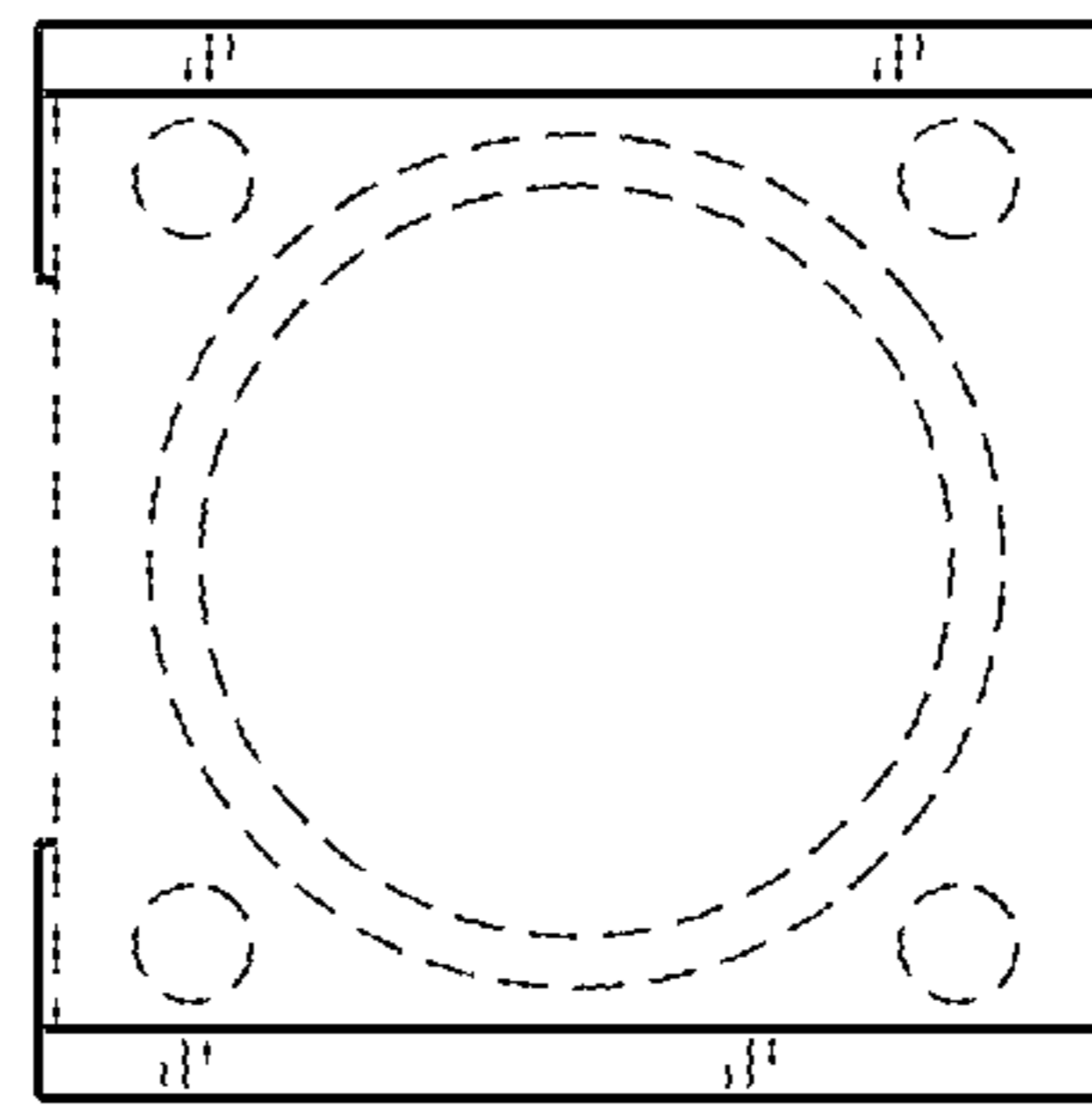


FIG. 4

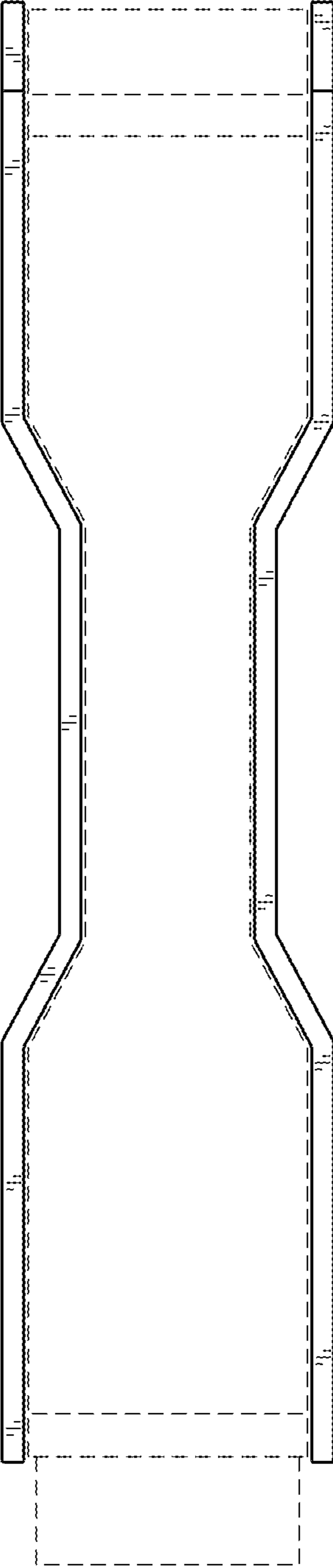


FIG. 6

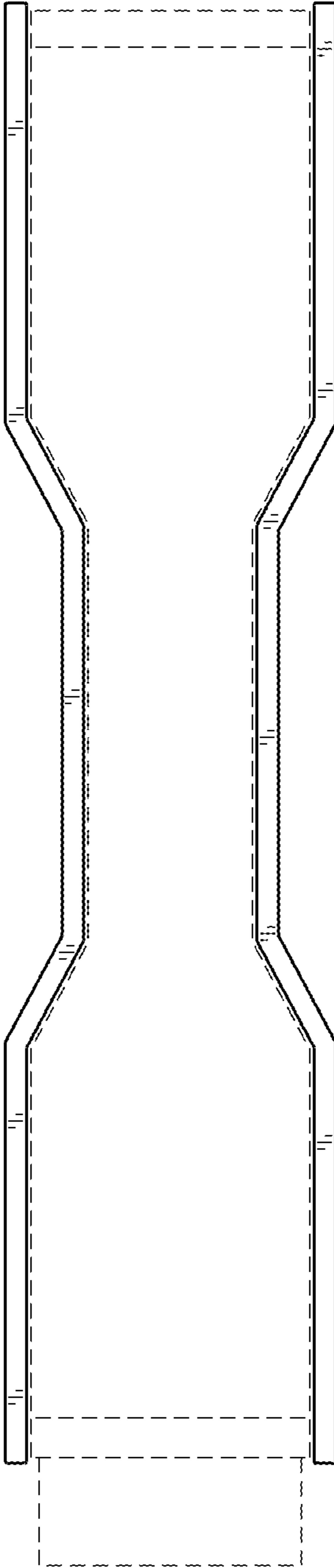


FIG. 7