



US00D913984S

(12) **United States Design Patent**  
**Li**

(10) **Patent No.:** **US D913,984 S**  
(45) **Date of Patent:** **\*\* Mar. 23, 2021**

- (54) **WIRELESS HEADBAND**
- (71) Applicant: **SHENZHEN VANERGY TECHNOLOGY CO., LTD**, Shenzhen (CN)
- (72) Inventor: **Zhongjie Li**, Laohekou (CN)
- (73) Assignee: **SHENZHEN VANERGY TECHNOLOGY CO., LTD**, Shenzhen (CN)

- 4,365,354 A \* 12/1982 Sullivan ..... A41D 13/01  
2/171
- D267,752 S \* 2/1983 Fairbrother ..... D14/168
- D282,020 S \* 1/1986 Gwon ..... D14/192
- D284,080 S \* 6/1986 Swezey ..... D14/192
- 4,727,599 A \* 2/1988 Rappaport ..... A42B 1/245  
2/DIG. 11
- 4,864,619 A \* 9/1989 Spates ..... H04R 1/10  
381/309
- D310,907 S \* 10/1990 Mark ..... D14/192
- D315,812 S \* 3/1991 Cionni ..... D29/112
- 5,438,698 A \* 8/1995 Burton ..... H01Q 1/276  
2/209.13

(\*\*) Term: **15 Years**

(Continued)

- (21) Appl. No.: **29/746,138**
- (22) Filed: **Aug. 12, 2020**
- (51) **LOC (13) Cl.** ..... **14-01**
- (52) **U.S. Cl.**  
USPC ..... **D14/192**
- (58) **Field of Classification Search**  
USPC ..... D14/192, 188, 205; D2/894, 875;  
D29/108, 112; 2/209.13, 181, DIG. 11;  
D24/190, 173; 381/380, 381, 376, 103,  
381/370, 378; 455/90.3, 575.1, 569.1  
CPC ..... H04R 1/10; H04R 25/00; H04R 1/105;  
H04R 5/02; H04R 5/00; H04R 1/02;  
H04R 5/033; H04R 5/04; H04R 3/12;  
H04R 1/1075; H04R 1/028; H04R 3/00;  
A42B 3/30  
See application file for complete search history.

**OTHER PUBLICATIONS**

“Sleep Headphones Bluetooth Headband, Upgrade Soft Sleeping Wireless Music Sport Headbands, Long Time Play Sleeping Headsets with Built in Speakers Perfect for Workout, Running, Yoga (Gray)”, Retrieved Aug. 10, 2020]. Retrieved from Internet, <https://www.amazon.com/Headphones-Bluetooth-Headband-Sleeping-Headbands/dp/B07QLF7WHZ/ref>.

*Primary Examiner* — Paula Allen Greene

(57) **CLAIM**

The ornamental design for a wireless headband, as shown and described.

**DESCRIPTION**

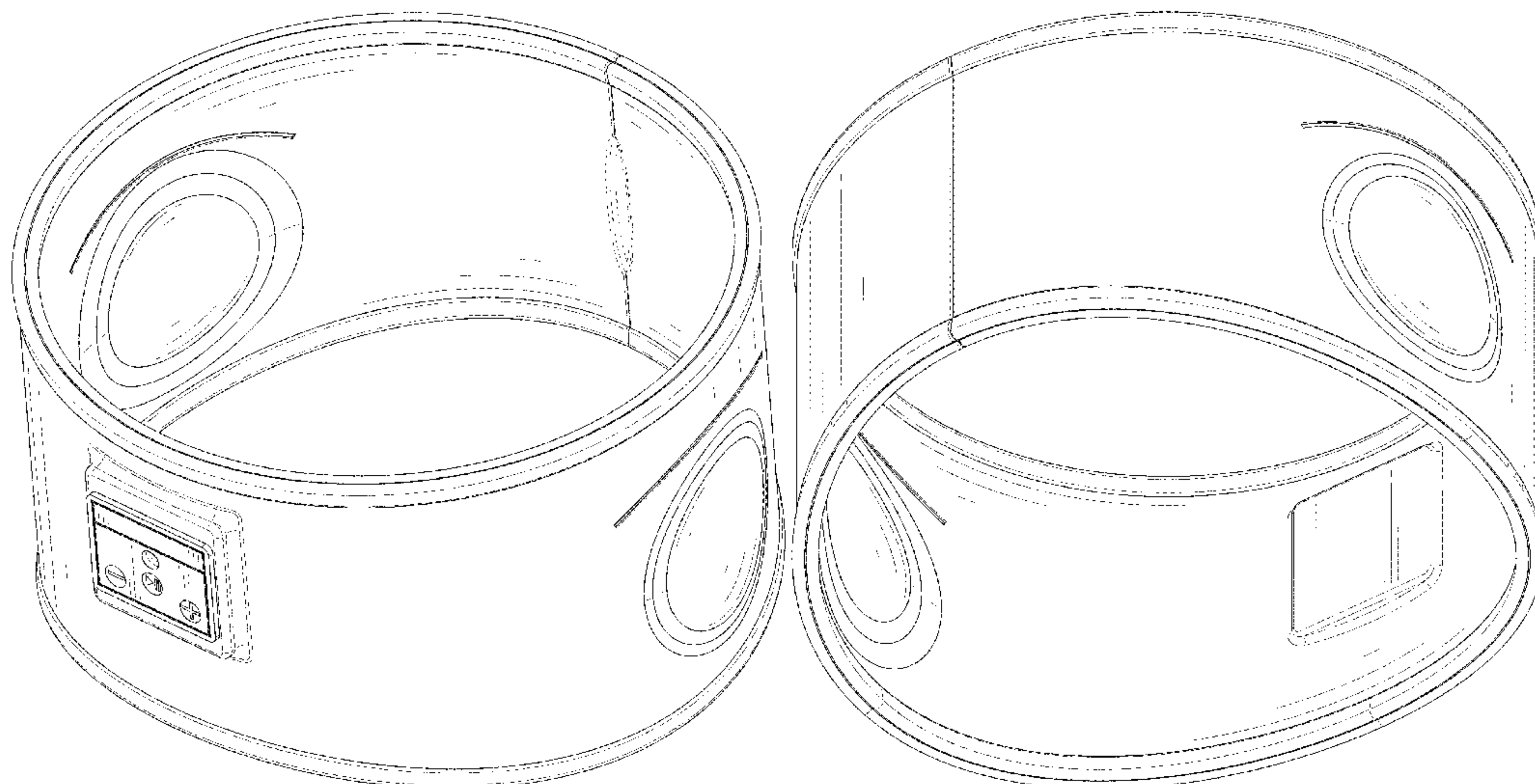
FIG. 1 is a perspective view of a wireless headband showing my new design;  
FIG. 2 is another perspective view thereof;  
FIG. 3 is a front elevational view thereof;  
FIG. 4 is a rear elevational view thereof;  
FIG. 5 is a left side elevational view thereof;  
FIG. 6 is a right side elevational view thereof;  
FIG. 7 is a top plan view thereof; and,  
FIG. 8 is a bottom plan view thereof.  
The broken lines in the drawings depict portions of the wireless headband that form no part of the claimed design.

(56) **References Cited**

**U.S. PATENT DOCUMENTS**

- 1,495,006 A \* 5/1924 Ephraim ..... A42B 1/0189  
2/181
- 2,361,963 A \* 11/1944 Rosenblatt ..... A61F 11/12  
181/22
- D192,070 S \* 1/1962 Wall ..... D29/112
- 4,204,543 A \* 5/1980 Henderson ..... A41D 13/0055  
607/112
- D262,455 S \* 12/1981 Bulmash ..... D14/192

**1 Claim, 8 Drawing Sheets**



(56)

References Cited

U.S. PATENT DOCUMENTS

5,617,477 A *	4/1997	Boyden	.....	H04R 3/12	8,111,859 B2 *	2/2012	Phillips	.....	H04R 5/0335
				381/309					381/376
D384,790 S *	10/1997	Juergens	.....	D14/192	8,813,265 B2 *	8/2014	Schwantes	.....	A41D 20/00
D384,791 S *	10/1997	Juergens	.....	D14/192					2/209.13
5,680,465 A *	10/1997	Boyden	.....	H04R 3/12	D723,245 S *	3/2015	Womack	.....	D2/600
				381/309	D736,394 S *	8/2015	Owoc	.....	D24/190
D397,838 S *	9/1998	Waggoner	.....	D14/192	D832,558 S *	11/2018	Hawes	.....	D2/875
D404,807 S *	1/1999	Nepsund	.....	D2/894	D870,062 S *	12/2019	Peng	.....	D14/192
5,881,390 A *	3/1999	Young	.....	A41D 20/00	2008/0044052 A1 *	2/2008	Whipple	.....	H04R 1/1075
				2/209.13					381/376
6,227,011 B1 *	5/2001	Cortinovis	.....	A41D 20/00	2008/0181429 A1 *	7/2008	Fried	.....	H04R 1/44
				2/171					381/87
D457,515 S *	5/2002	Masamitsu	.....	D14/192	2014/0321661 A1 *	10/2014	Alao	.....	H04R 5/0335
6,732,381 B1 *	5/2004	Lal	.....	A42B 3/0433					381/74
				2/422	2017/0251741 A1 *	9/2017	Wang	.....	H04R 5/0335
D511,036 S *	11/2005	Moses	.....	D2/894	2018/0035189 A1 *	2/2018	Givens	.....	H04R 1/028
D547,500 S *	7/2007	Karrman	.....	A61F 11/14	2019/0037314 A1 *	1/2019	Hanson	.....	H04R 5/023
				D29/112	2019/0132663 A1 *	5/2019	Lu	.....	H04R 1/1008

\* cited by examiner

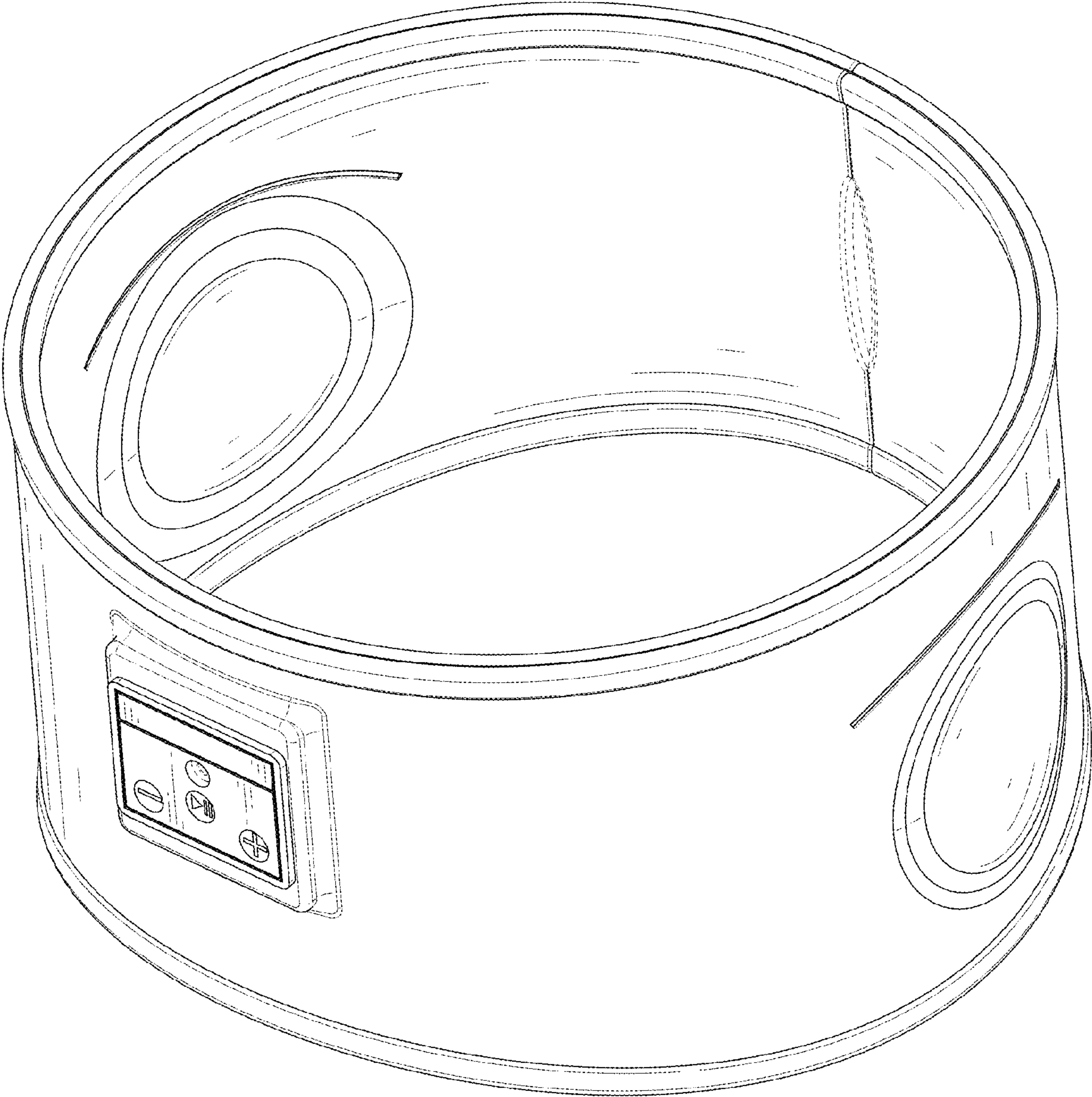


FIG. 1



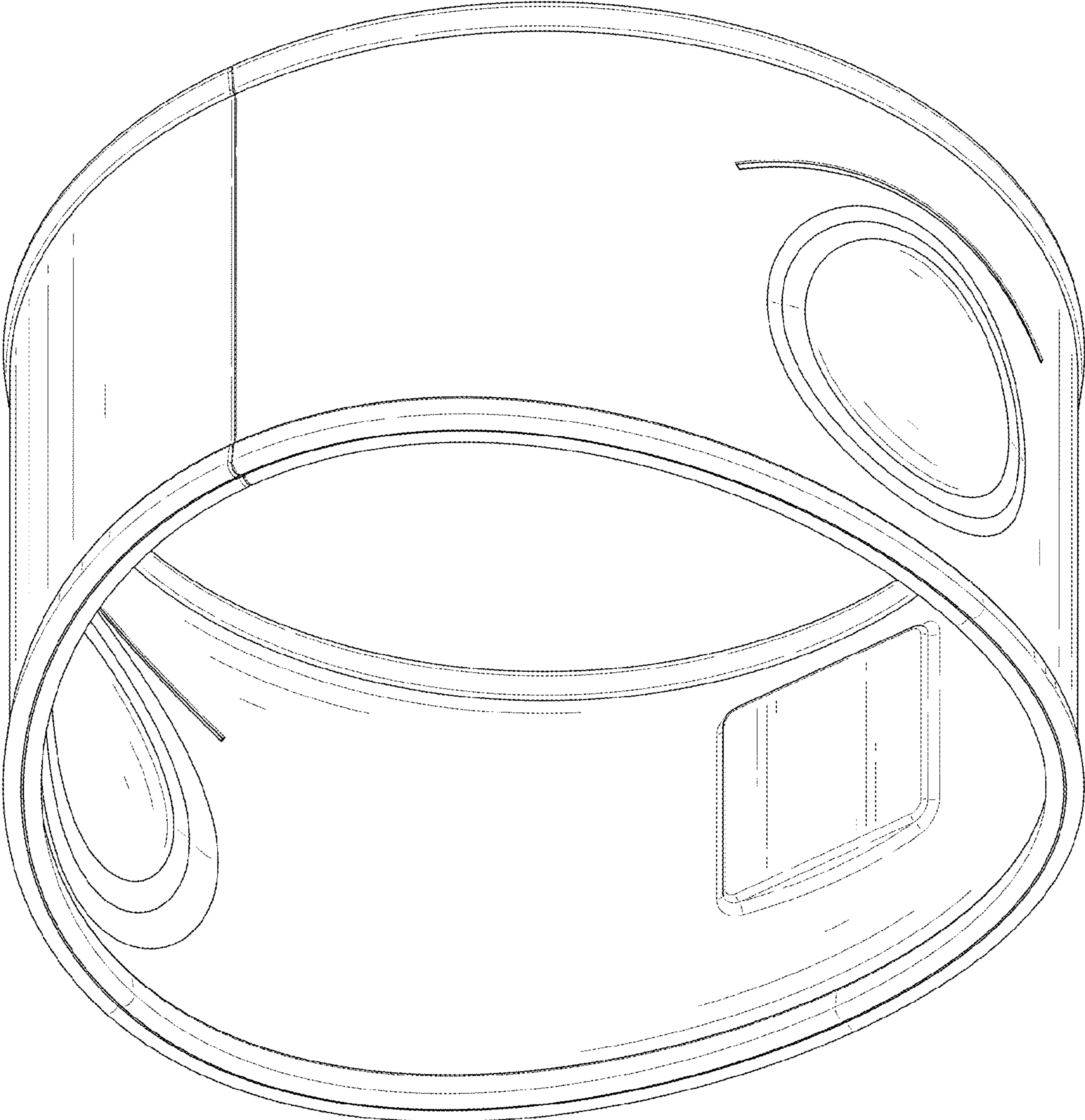


FIG. 2

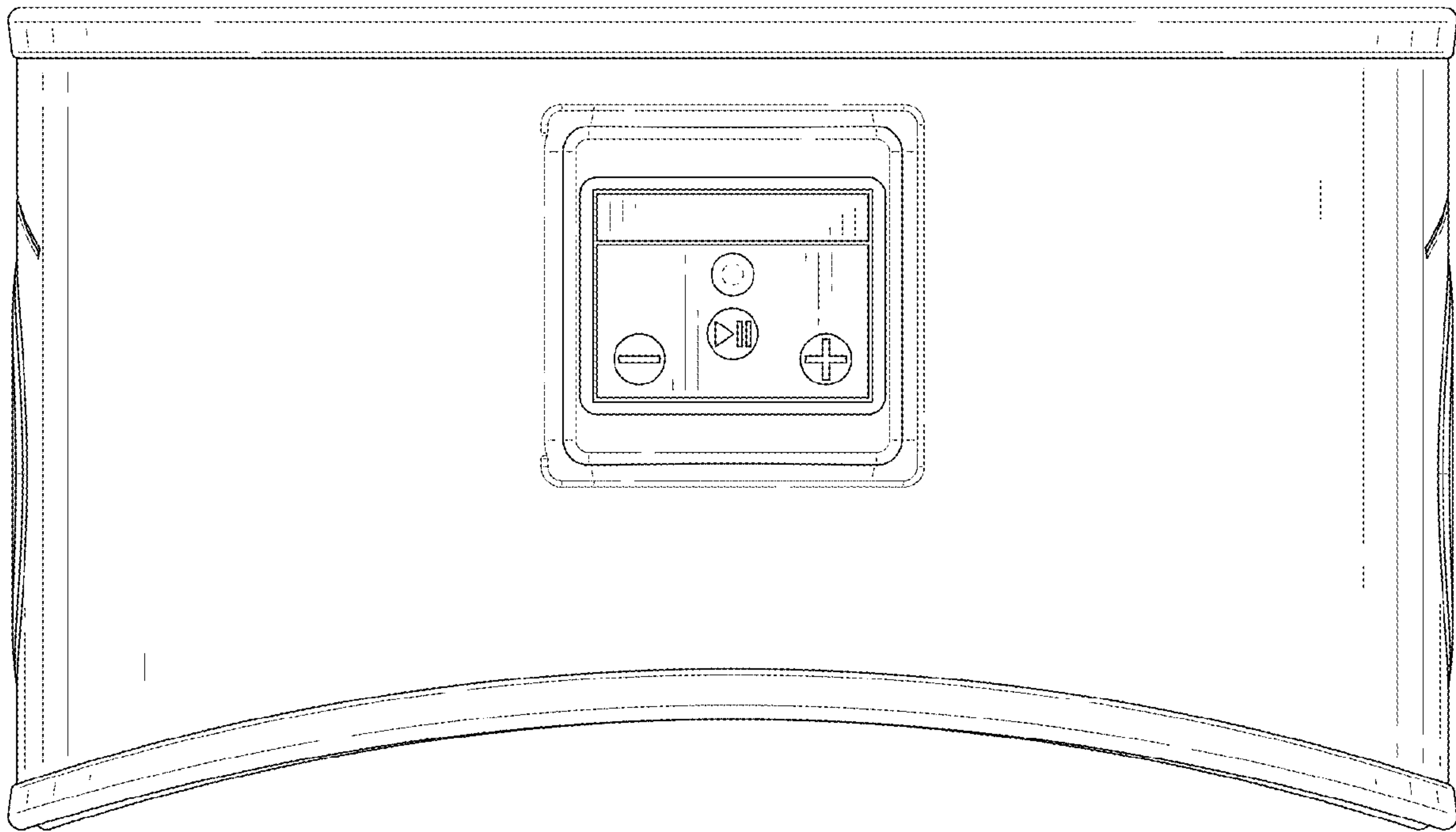


FIG. 3

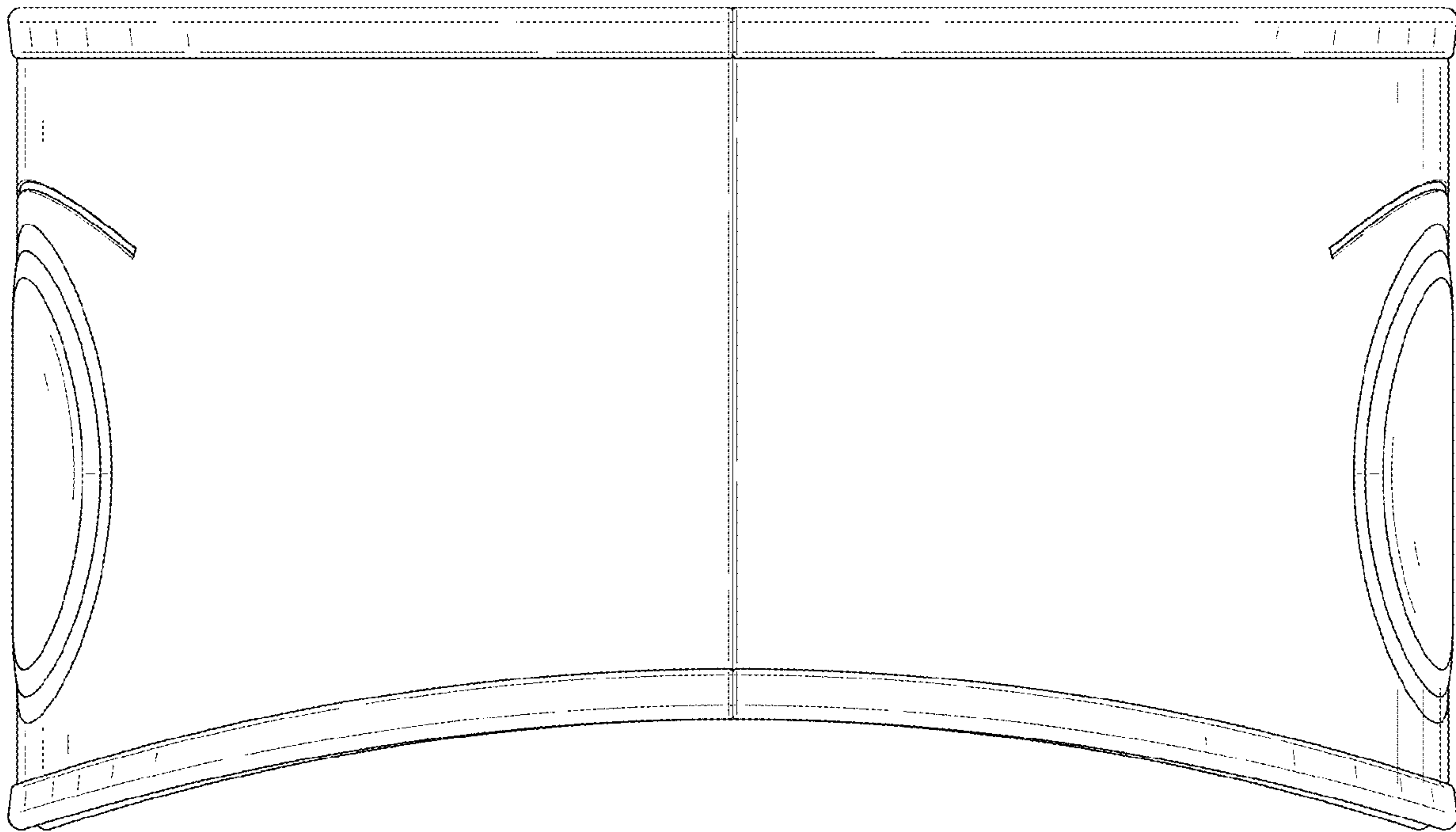


FIG. 4

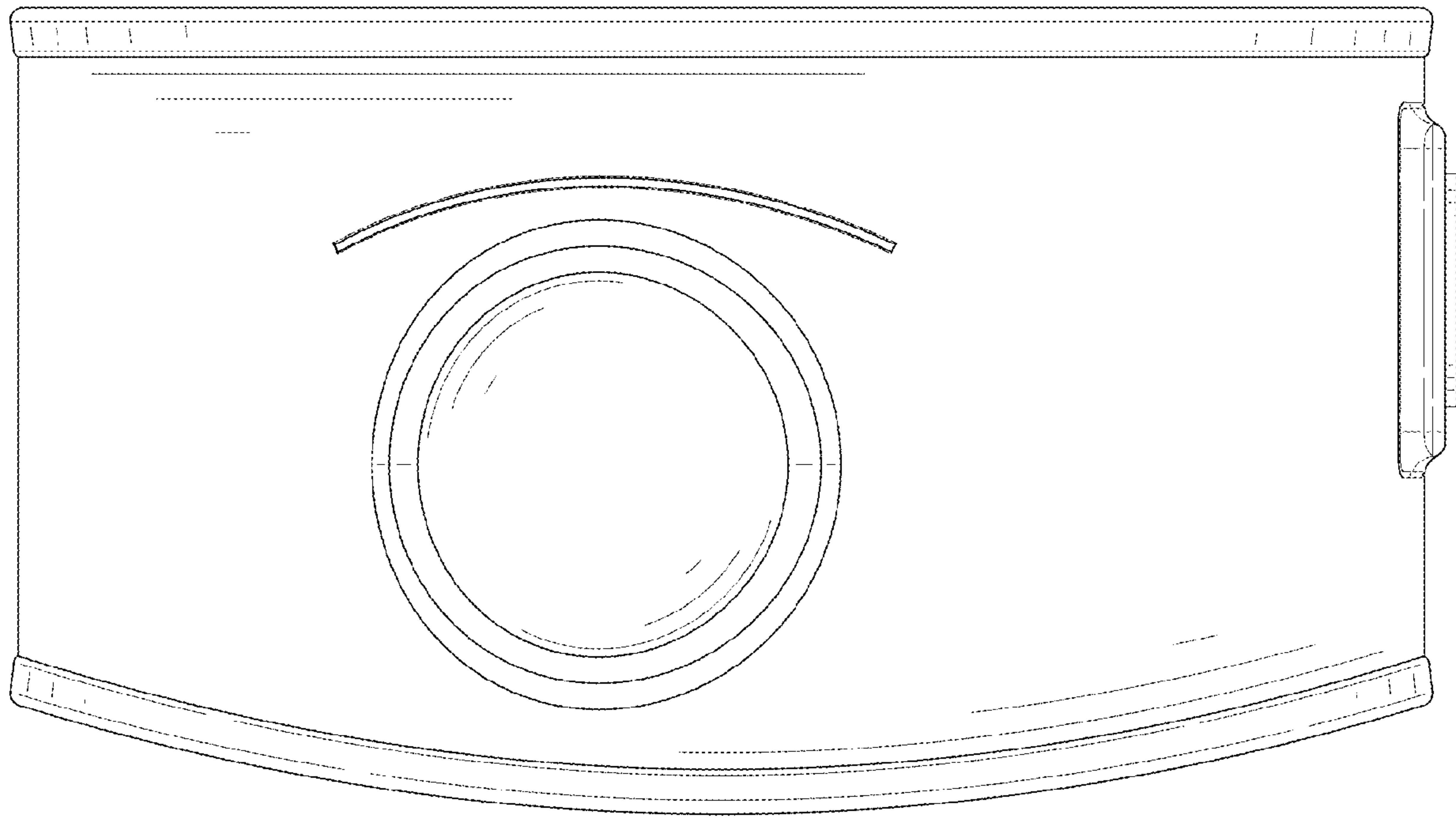


FIG. 5

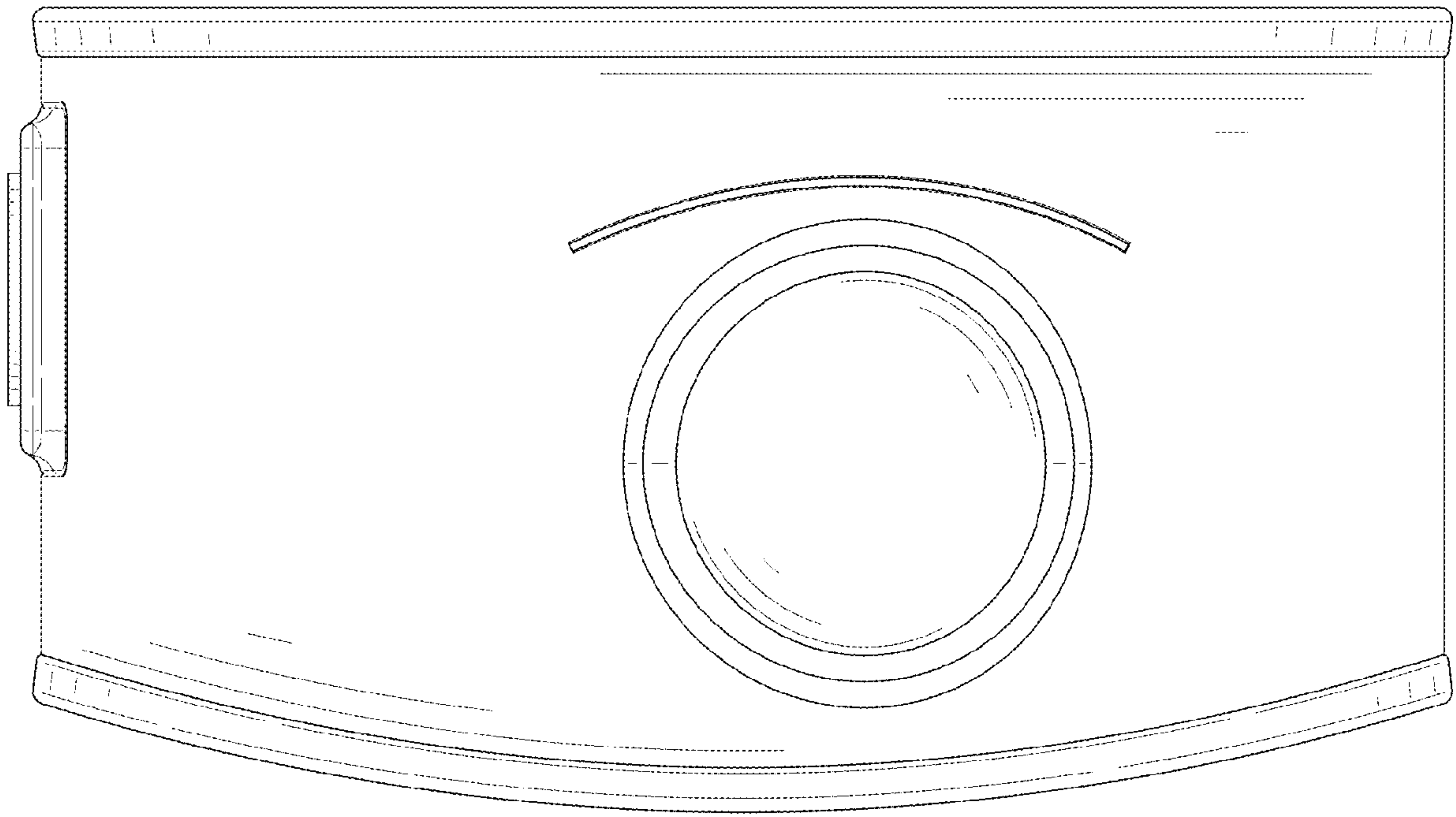


FIG. 6



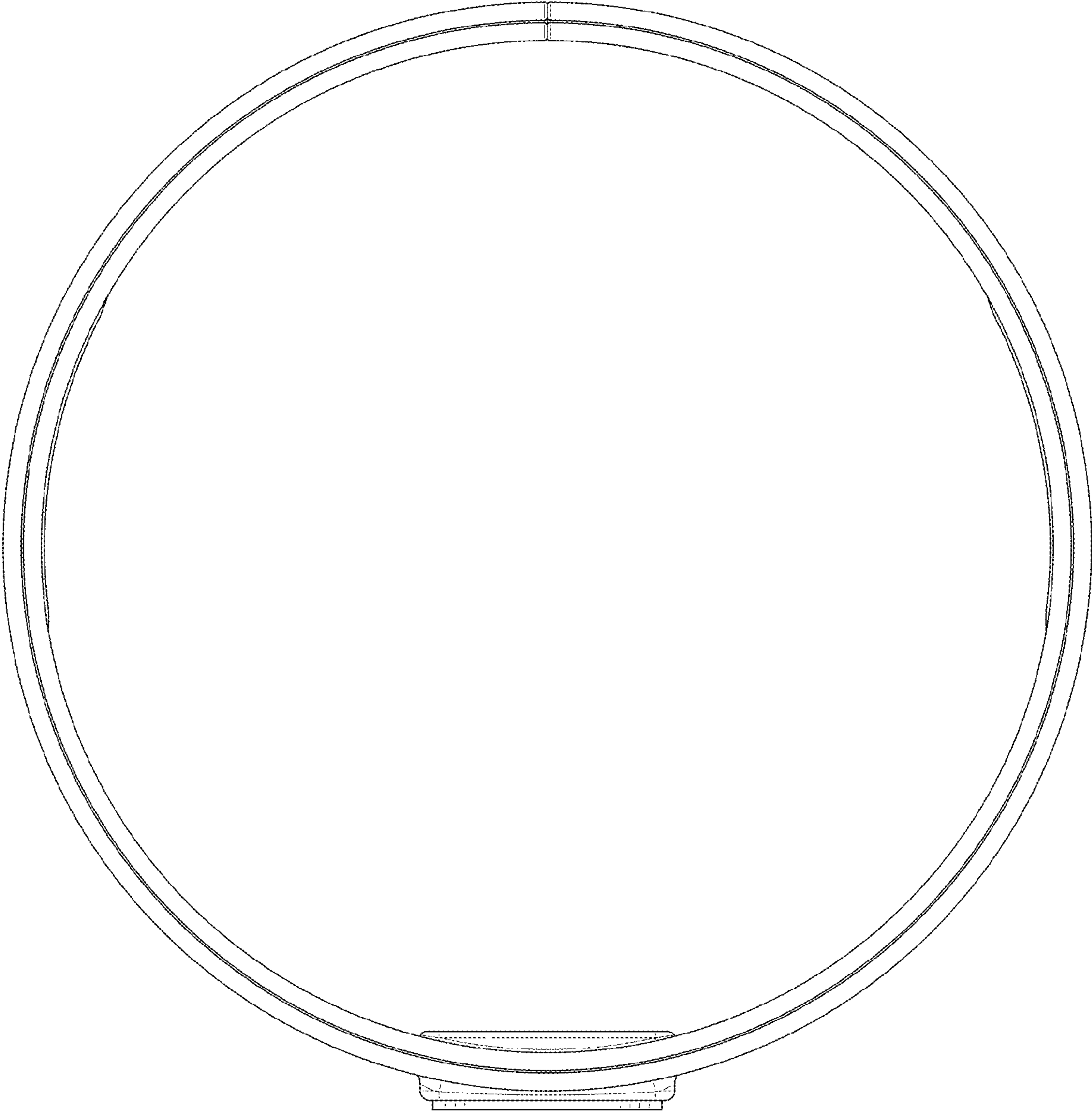


FIG. 7

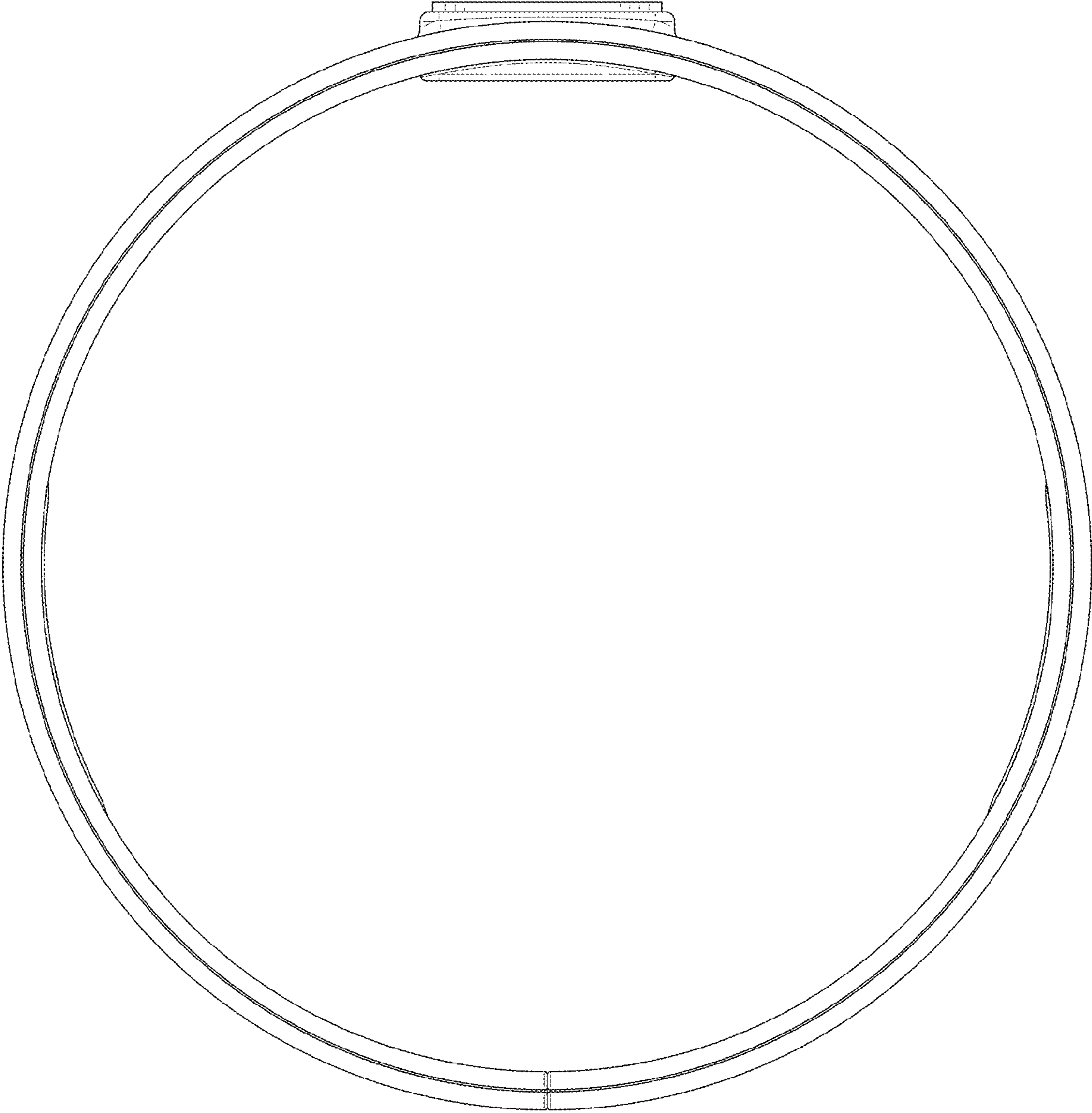


FIG. 8