



US00D913983S

(12) **United States Design Patent**  
**Tong et al.**

(10) **Patent No.:** **US D913,983 S**

(45) **Date of Patent:** **\*\* Mar. 23, 2021**

(54) **MODULE FOR WIRELESS COMMUNICATION DEVICE**

D14/233, 240, 242, 243, 255, 299, 496,  
D14/356, 358, 236, 188; D13/123, 152,  
D13/154, 158, 184, 199, 101, 110, 111,  
(Continued)

(71) Applicants: **Mettler-Toledo (Changzhou) Measurement Technology Co., Ltd.**, Changzhou (CN); **Mettler-Toledo (Changzhou) Precision Instrument Co., Ltd.**, Changzhou (CN); **Mettler-Toledo International Trading (Shanghai) Co., Ltd.**, Shanghai (CN)

(56) **References Cited**

U.S. PATENT DOCUMENTS

D237,369 S \* 10/1975 Lowndes ..... D10/114.8  
5,103,383 A \* 4/1992 Mayhew ..... 362/158  
(Continued)

(72) Inventors: **Lijun Tong**, Changzhou (CN); **YinXiu Zhang**, Changzhou (CN); **WenWei Guo**, Changzhou (CN)

OTHER PUBLICATIONS

Bluetooth Module ACW520 . (Online PDF) 2 pgs. 2017. [retrieved Jan. 13, 2021] <https://fccid.io/2ALAI2018MT102/User-Manual/User-Manual-3856821.pdf>.\*

(Continued)

(73) Assignees: **METTLER-TOLEDO (CHANGZHOU) MEASUREMENT TECHNOLOGY CO., LTD.**, Jiangsu (CN); **METTLER-TOLEDO (CHANGZHOU) PRECISION INSTRUMENT CO., LTD.**, Jiangsu (CN); **METTLER-TOLEDO INTERNATIONAL TRADING (SHANGHAI) CO., LTD.**, Shanghai (CN)

*Primary Examiner* — Marie D. Fast Horse  
(74) *Attorney, Agent, or Firm* — Standley Law Group LLP; Jeffrey S. Standley; Stephen L. Grant

(57) **CLAIM**

The ornamental design for a module for wireless communication device, as shown and described.

(\*\*) Term: **15 Years**

**DESCRIPTION**

(21) Appl. No.: **29/681,522**

(22) Filed: **Feb. 26, 2019**

(30) **Foreign Application Priority Data**

Sep. 12, 2018 (CN) ..... 201830513308.5

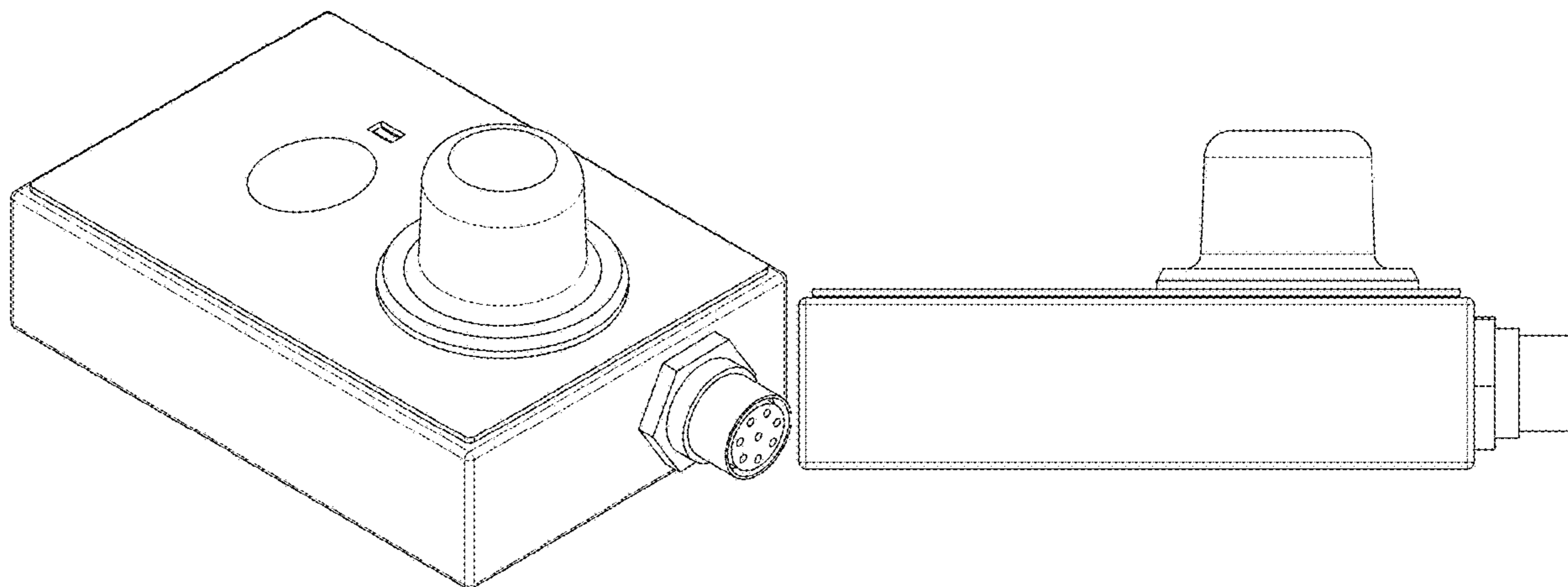
(51) **LOC (13) Cl.** ..... **14-03**

(52) **U.S. Cl.**  
USPC ..... **D14/155; D14/358**

(58) **Field of Classification Search**  
USPC ..... D14/140, 140.1, 140.2, 140.3, 140.4,  
D14/140.5, 140.6, 142, 155, 168, 230,

FIG. 1 is a top right perspective view of a module for wireless communication device;  
FIG. 2 is a bottom plan view thereof;  
FIG. 3 is a top plan view thereof;  
FIG. 4 is a left side elevation view thereof;  
FIG. 5 is a front elevation view thereof;  
FIG. 6 is a right side elevation view thereof; and,  
FIG. 7 is a rear elevation view thereof.  
The broken lines in the drawings depict parts of the module for wireless communications device that form no part of the claim.

**1 Claim, 7 Drawing Sheets**



(58) **Field of Classification Search**

USPC ..... D13/112, 114, 160; D10/46, 75, 103,  
 D10/104.1, 121, 106.1, 106.6, 106.3,  
 D10/109.1, 109.2, 111, 114.1, 114.2,  
 D10/114.6, 114.8  
 CPC ..... H04W 88/08; H04W 16/24; H04W 8/245;  
 H04W 84/042; H04W 84/045; H04W  
 84/047; H04W 4/80; H04M 1/72522;  
 H04M 1/72525; B60Q 7/00  
 See application file for complete search history.

(56) **References Cited**

U.S. PATENT DOCUMENTS

D340,457 S \* 10/1993 Lennon, III ..... D10/46  
 D341,093 S \* 11/1993 Smith ..... D10/46  
 D342,250 S \* 12/1993 Beaumont ..... D13/184  
 D344,520 S \* 2/1994 Chan ..... D14/188  
 D346,172 S \* 4/1994 Fields ..... D14/155  
 D363,891 S \* 11/1995 Gough ..... D10/106.6  
 D368,474 S \* 4/1996 Wise ..... D14/188  
 D371,787 S \* 7/1996 Sohn ..... D14/188  
 D377,339 S \* 1/1997 Beruscha ..... D10/75  
 D377,652 S \* 1/1997 Sarkiniemi ..... D13/184  
 D436,585 S \* 1/2001 Nuk ..... D14/155  
 D437,243 S \* 2/2001 Cessac ..... D10/104.1  
 D440,890 S \* 4/2001 Warner ..... D10/65  
 D442,947 S \* 5/2001 Warner ..... D14/230  
 D462,675 S \* 9/2002 Kusz ..... D14/140.6  
 D477,287 S \* 7/2003 Roman ..... D13/162  
 D489,041 S \* 4/2004 Chen ..... D13/184  
 D496,346 S \* 9/2004 Fuss ..... D14/188  
 D512,050 S \* 11/2005 Verding ..... D14/240  
 D513,477 S \* 1/2006 Heftman ..... D10/111  
 D536,670 S \* 2/2007 Mahoney ..... D13/133

D570,722 S \* 6/2008 Taylor ..... D10/114.8  
 7,406,298 B2 \* 7/2008 Luglio ..... H04B 1/38  
 340/500  
 D581,393 S \* 11/2008 Rodrigues ..... D14/188  
 D586,810 S \* 2/2009 Hershey ..... D14/358  
 D587,268 S \* 2/2009 Hershey ..... D14/358  
 D592,213 S \* 5/2009 Hershey ..... D14/358  
 D592,650 S \* 5/2009 Tsang ..... D14/242  
 D608,673 S \* 1/2010 Arosio ..... D10/111  
 D622,709 S \* 8/2010 Hern ..... D14/230  
 D634,308 S \* 3/2011 Bliss ..... D14/233  
 D659,030 S \* 5/2012 Anselment ..... D10/46  
 D674,787 S \* 1/2013 Tsuda ..... D14/240  
 D674,788 S \* 1/2013 Tsuda ..... D14/240  
 D694,740 S \* 12/2013 Apostolakis ..... D14/240  
 D778,906 S \* 2/2017 Grubel ..... D14/358  
 D806,691 S \* 1/2018 Andersson ..... D14/358  
 D841,610 S \* 2/2019 Novin ..... D14/137  
 D868,755 S \* 12/2019 Yang ..... D14/230  
 D873,233 S \* 1/2020 Du ..... D14/155  
 D873,234 S \* 1/2020 Du ..... D14/155  
 D894,860 S \* 9/2020 Root ..... D14/140.6  
 D894,861 S \* 9/2020 Root ..... D14/140.6  
 D897,326 S \* 9/2020 Araki ..... D14/240  
 D898,599 S \* 10/2020 Chen ..... D10/109.2  
 2004/0192415 A1 \* 9/2004 Luglio ..... H04B 1/38  
 455/575.1  
 2019/0341732 A1 \* 11/2019 Aaron ..... H05B 47/175

OTHER PUBLICATIONS

2018MT102 Bluetooth Module ACW520 External Photos ACI-F18120 report-MTC\_FCC ID. (Online) 5 pgs. Available May 23, 2018. [retrieved Jan. 13, 2021] <https://fccid.io/2ALAI2018MT102/External-Photos/External-Photo-3856813>.\*

\* cited by examiner

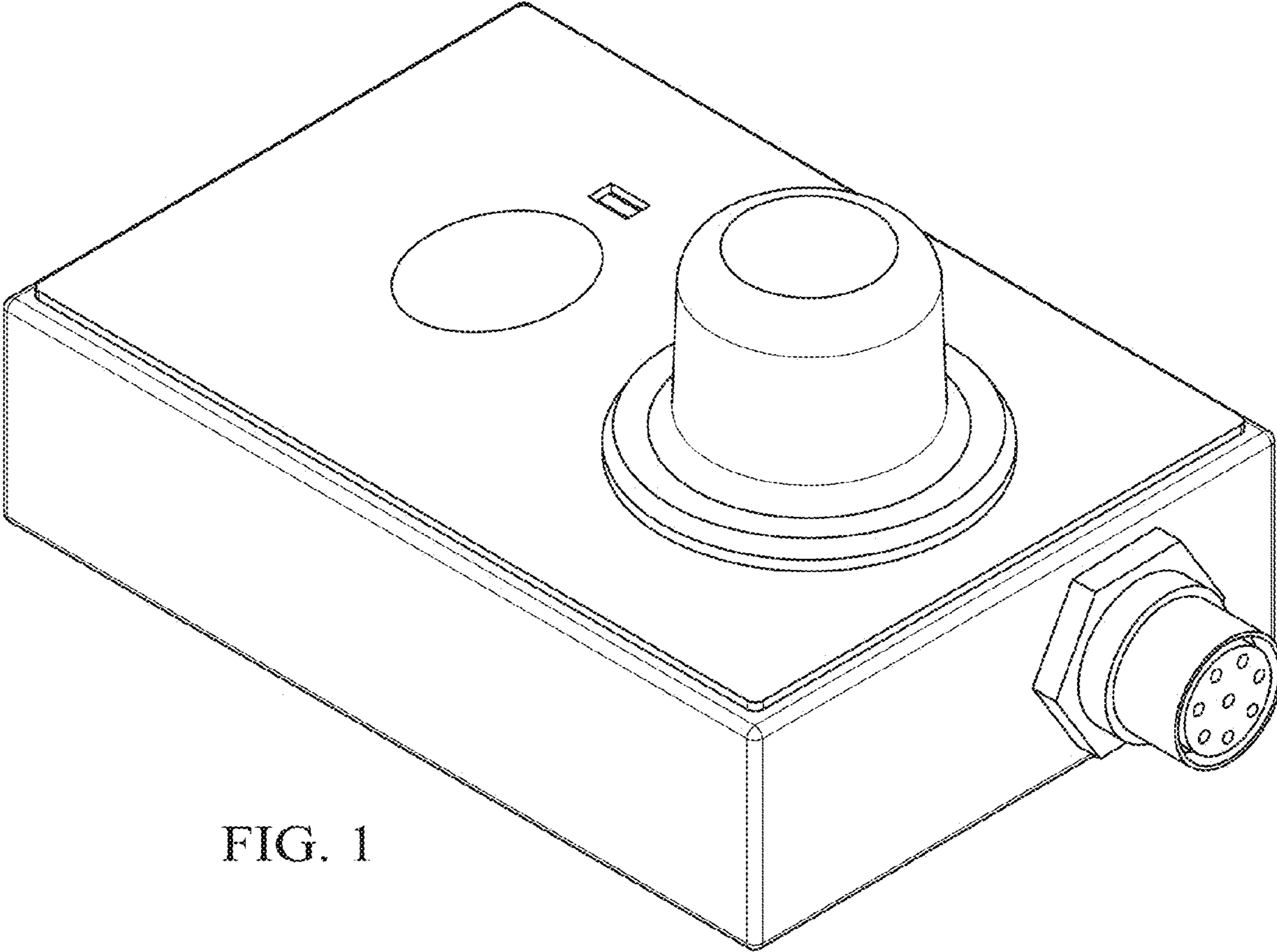


FIG. 1

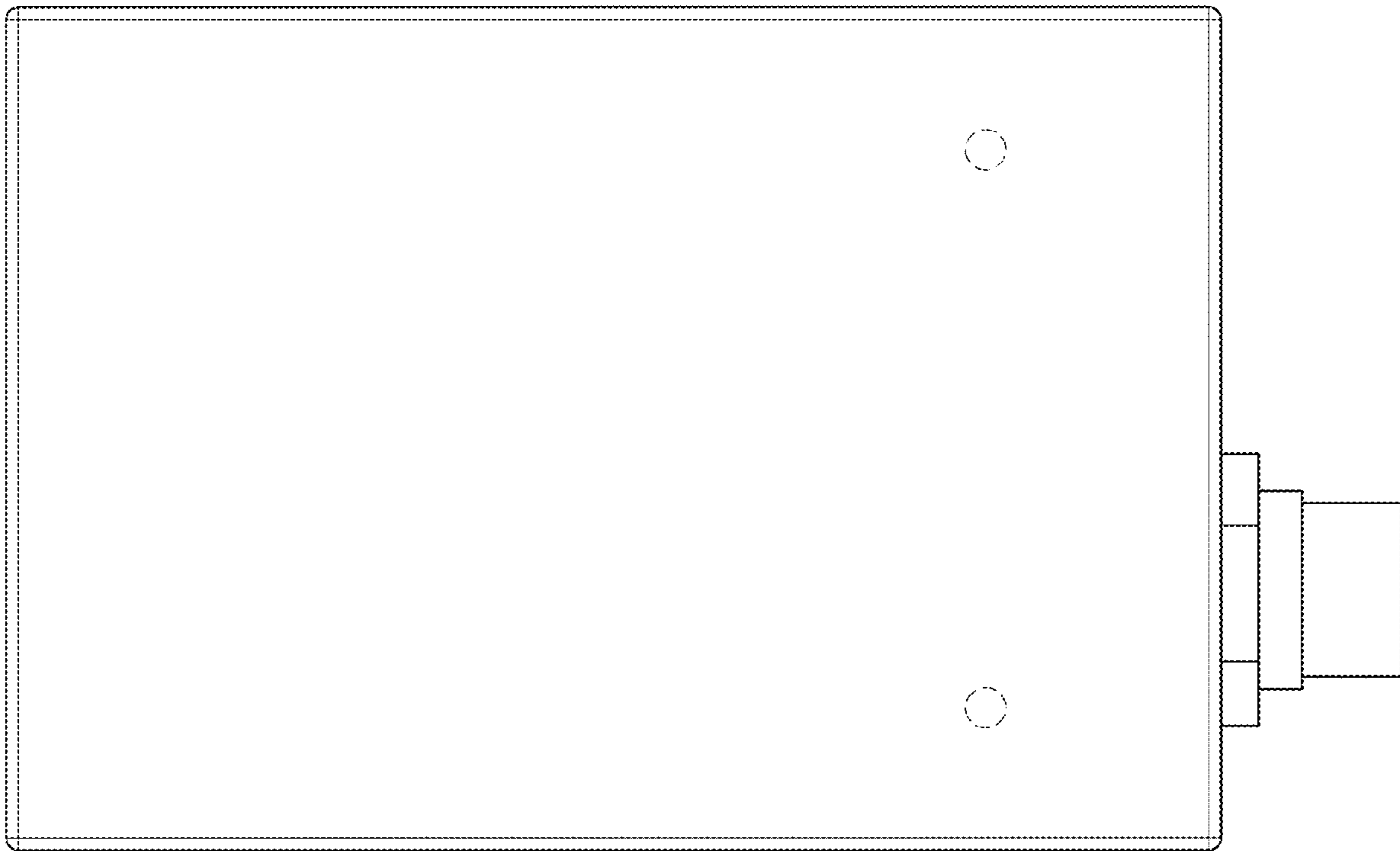


FIG. 2

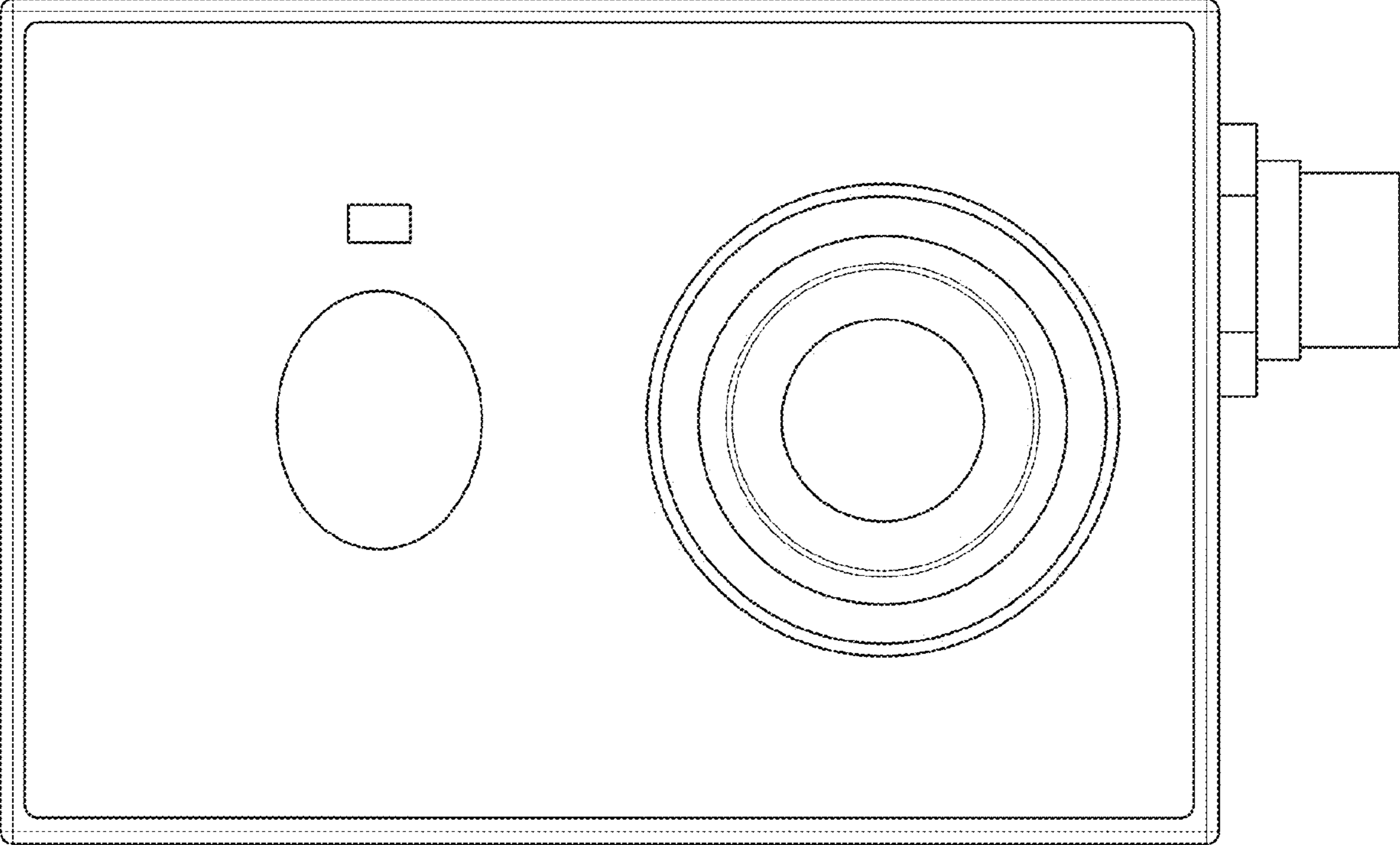


FIG. 3

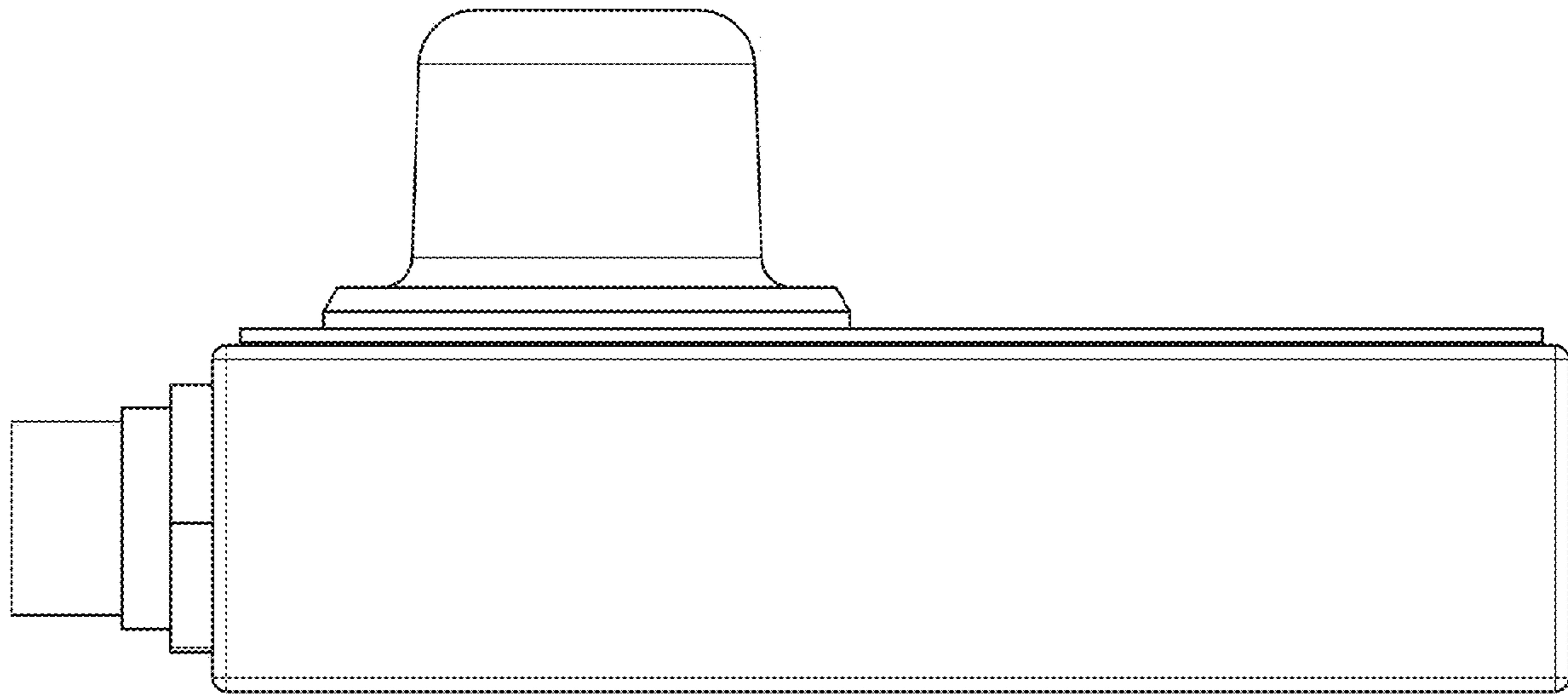


FIG. 4

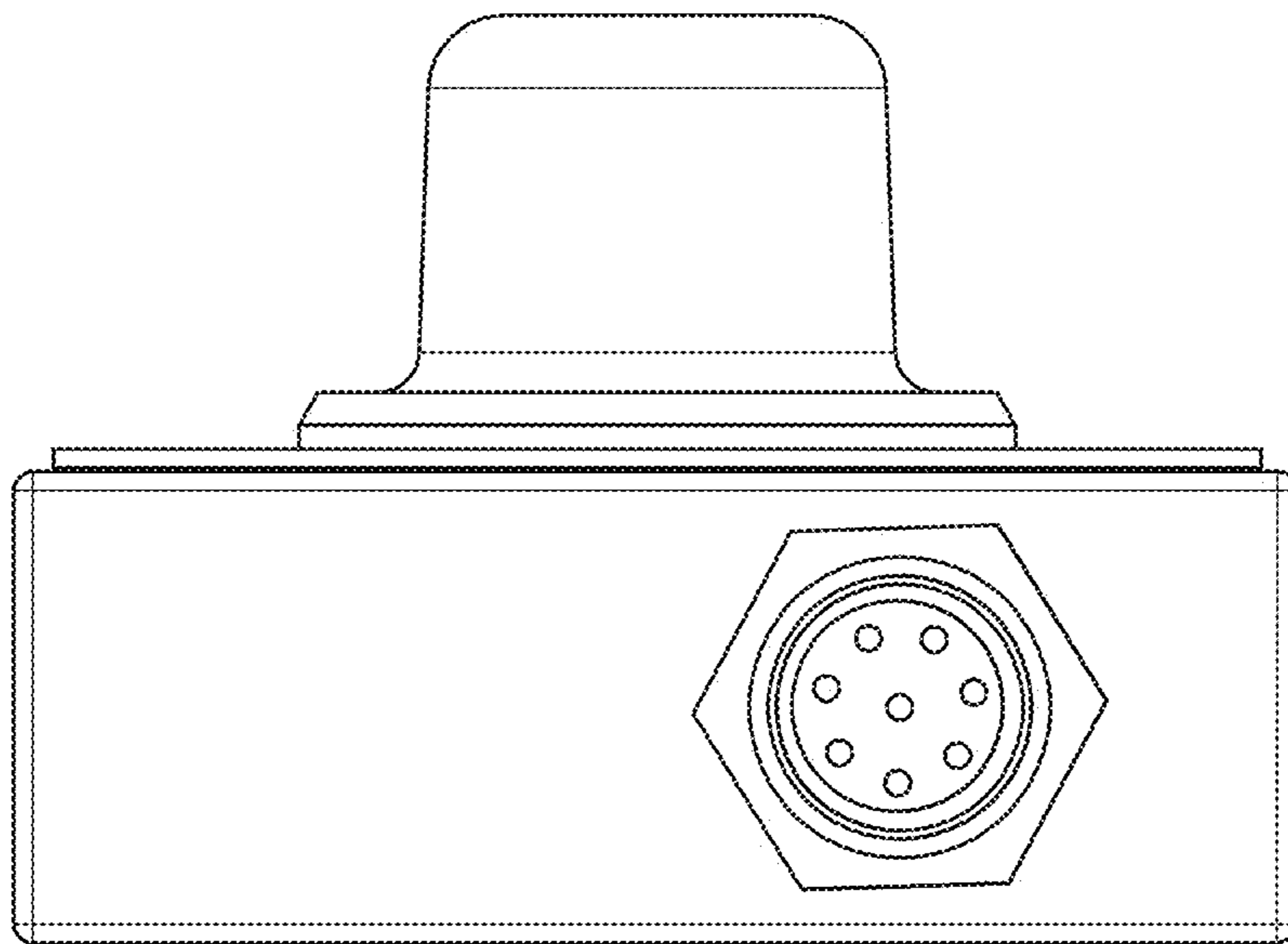


FIG. 5

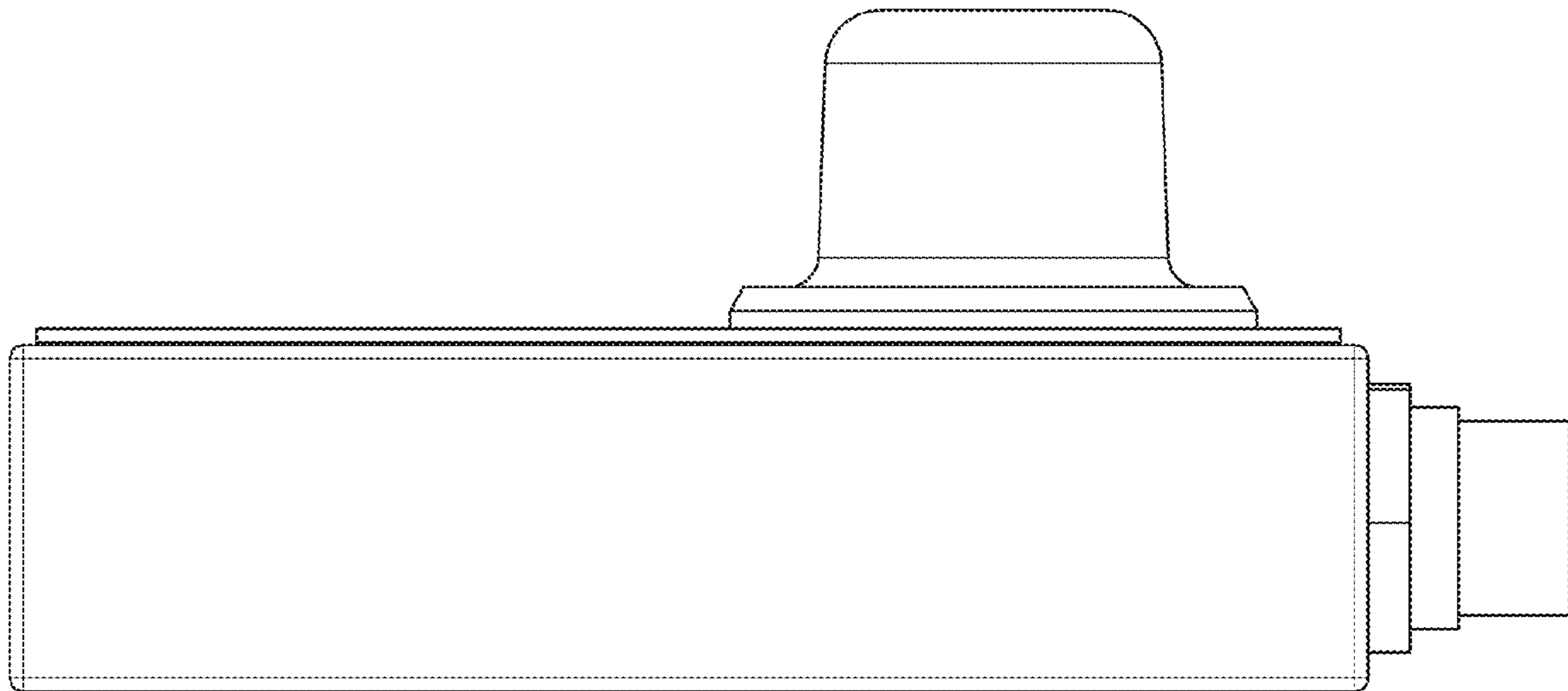


FIG. 6



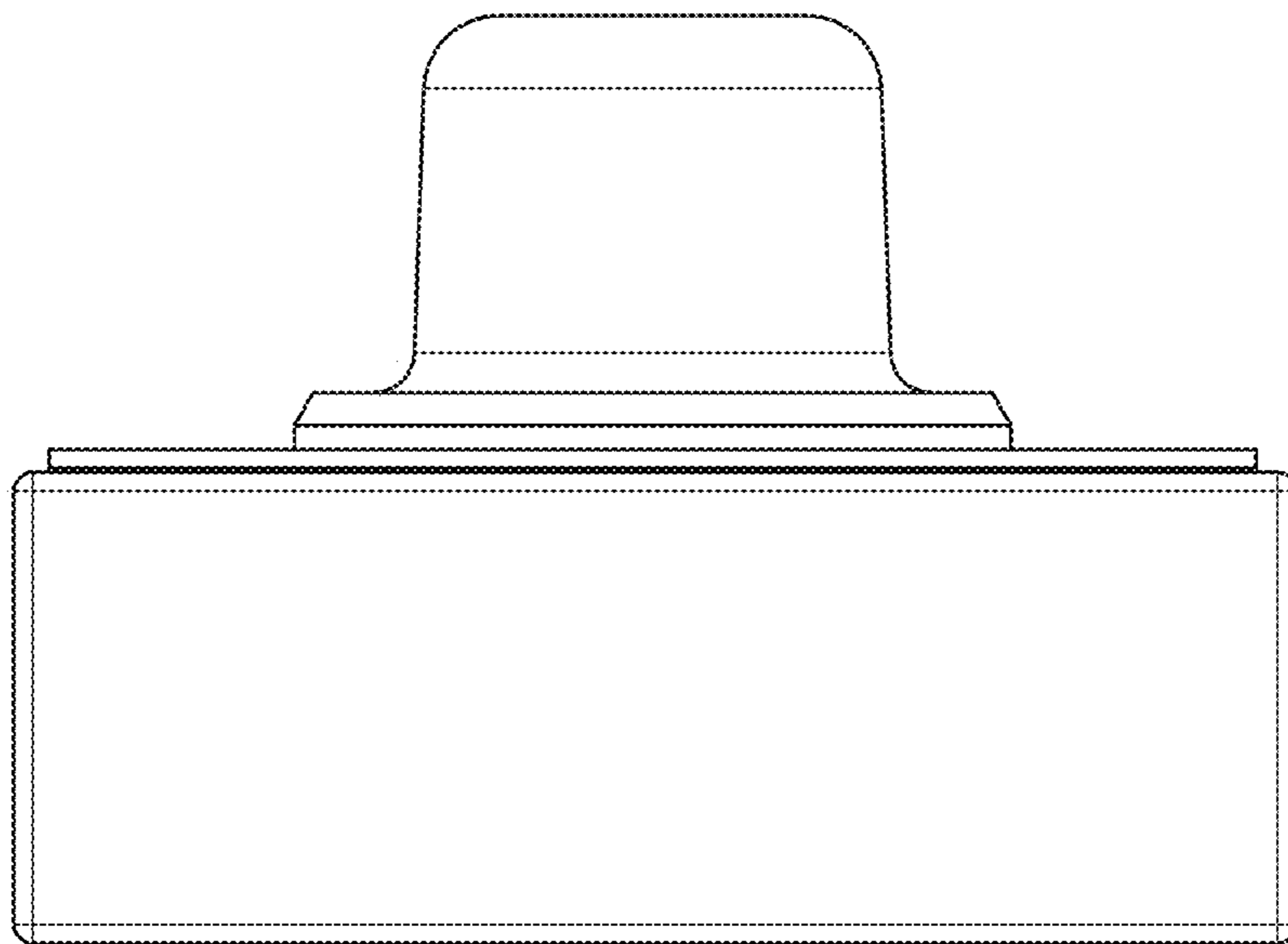


FIG. 7