



US00D913979S

(12) **United States Design Patent**  
**Babu et al.**

(10) **Patent No.:** **US D913,979 S**  
(45) **Date of Patent:** **\*\* Mar. 23, 2021**

(54) **INNER SHIELD FOR A SUBSTRATE PROCESSING CHAMBER**

(71) Applicant: **APPLIED MATERIALS, INC.**, Santa Clara, CA (US)

(72) Inventors: **Sarath Babu**, Singapore (SG); **Ananthkrishna Jupudi**, Singapore (SG); **Yueh Sheng Ow**, Singapore (SG); **Junqi Wei**, Singapore (SG); **Kelvin Boh**, Singapore (SG); **Yuichi Wada**, Chiba (JP); **Kang Zhang**, Singapore (SG)

(73) Assignee: **APPLIED MATERIALS, INC.**, Santa Clara, CA (US)

(\*\*) Term: **15 Years**

(21) Appl. No.: **29/703,655**

(22) Filed: **Aug. 28, 2019**

(51) **LOC (13) Cl.** ..... **13-03**

(52) **U.S. Cl.**  
USPC ..... **D13/182**

(58) **Field of Classification Search**  
USPC ..... D13/118, 133, 162, 182, 184, 199;  
D15/144.1, 144.2, 150, 199; D23/213;  
D24/232  
CPC ..... H01L 21/0226; H01L 21/02263; H01L 21/02266; H01L 21/02269; H01L 21/02271; H01L 21/67742; H01L 2221/68363; H01L 2224/75186; H01L 2224/76186; H01J 37/32633; H01J 37/32477; H01J 37/32623; H01J 37/32642

See application file for complete search history.

(56) **References Cited**

**U.S. PATENT DOCUMENTS**

5,762,748 A 6/1998 Banholzer et al.  
6,583,064 B2 6/2003 Wicker et al.

(Continued)

**OTHER PUBLICATIONS**

International Search Report and Written Opinion for PCT/US2020/048302 dated Dec. 4, 2020.

*Primary Examiner* — Michael C Stout

*Assistant Examiner* — Fritzgerald L Butac

(74) *Attorney, Agent, or Firm* — Moser Taboada

(57) **CLAIM**

The ornamental design for an inner shield for a substrate processing chamber, as shown and described.

**DESCRIPTION**

FIG. 1 is a top isometric view of the first embodiment for an inner shield for a substrate processing chamber, according to the new design.

FIG. 2 is a top plan view thereof.

FIG. 3 is a bottom plan view thereof.

FIG. 4 is a front elevation view thereof.

FIG. 5 is a back elevation view thereof.

FIG. 6 is a right side elevation view thereof.

FIG. 7 is a left side elevation view thereof.

FIG. 8 is a cross-sectional view taken along line 8-8 in FIG. 2.

FIG. 9 is a top isometric view of the second embodiment for an inner shield for a substrate processing chamber, according to the new design.

FIG. 10 is a top plan view thereof.

FIG. 11 is a bottom plan view thereof.

FIG. 12 is a front elevation view thereof.

FIG. 13 is a back elevation view thereof.

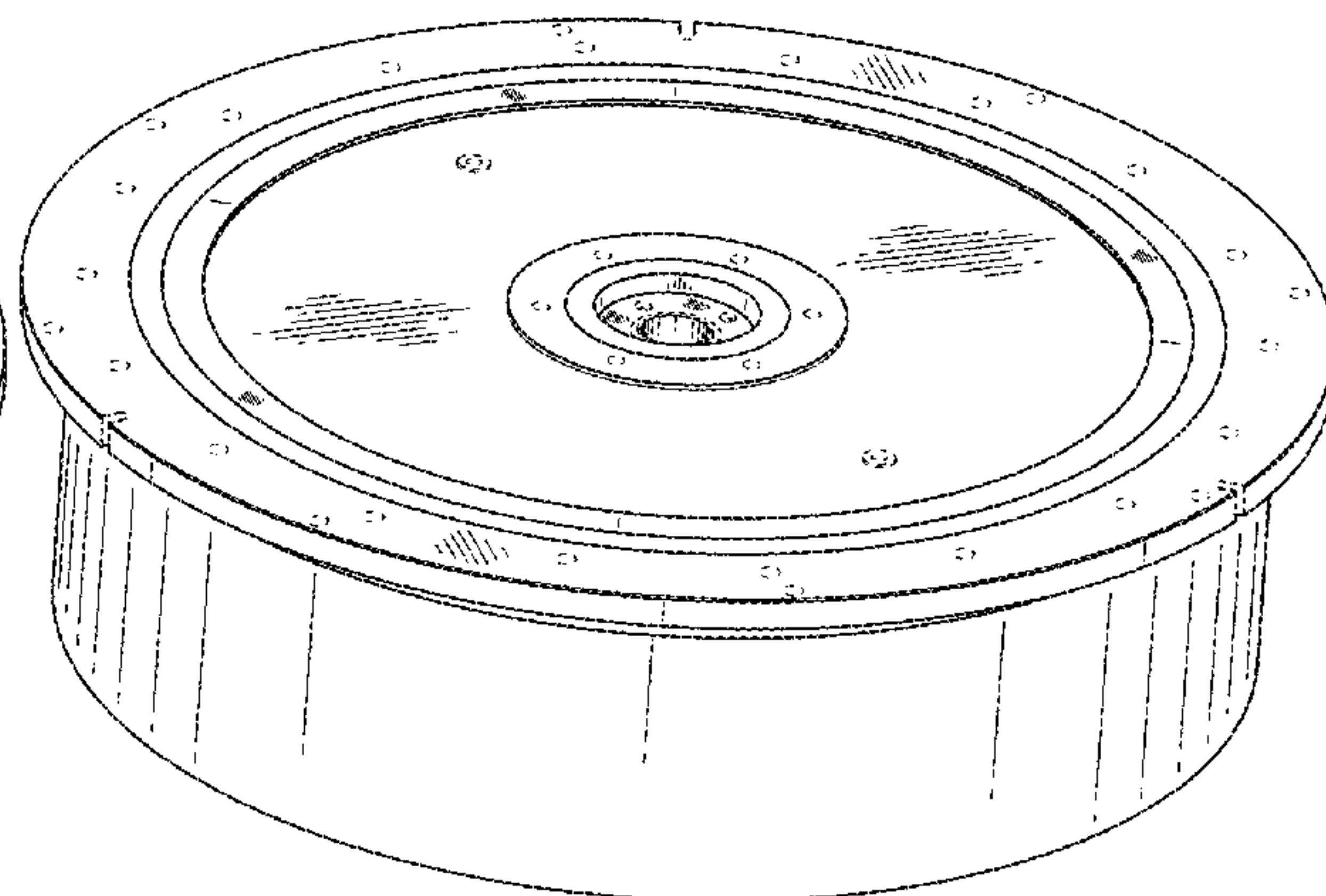
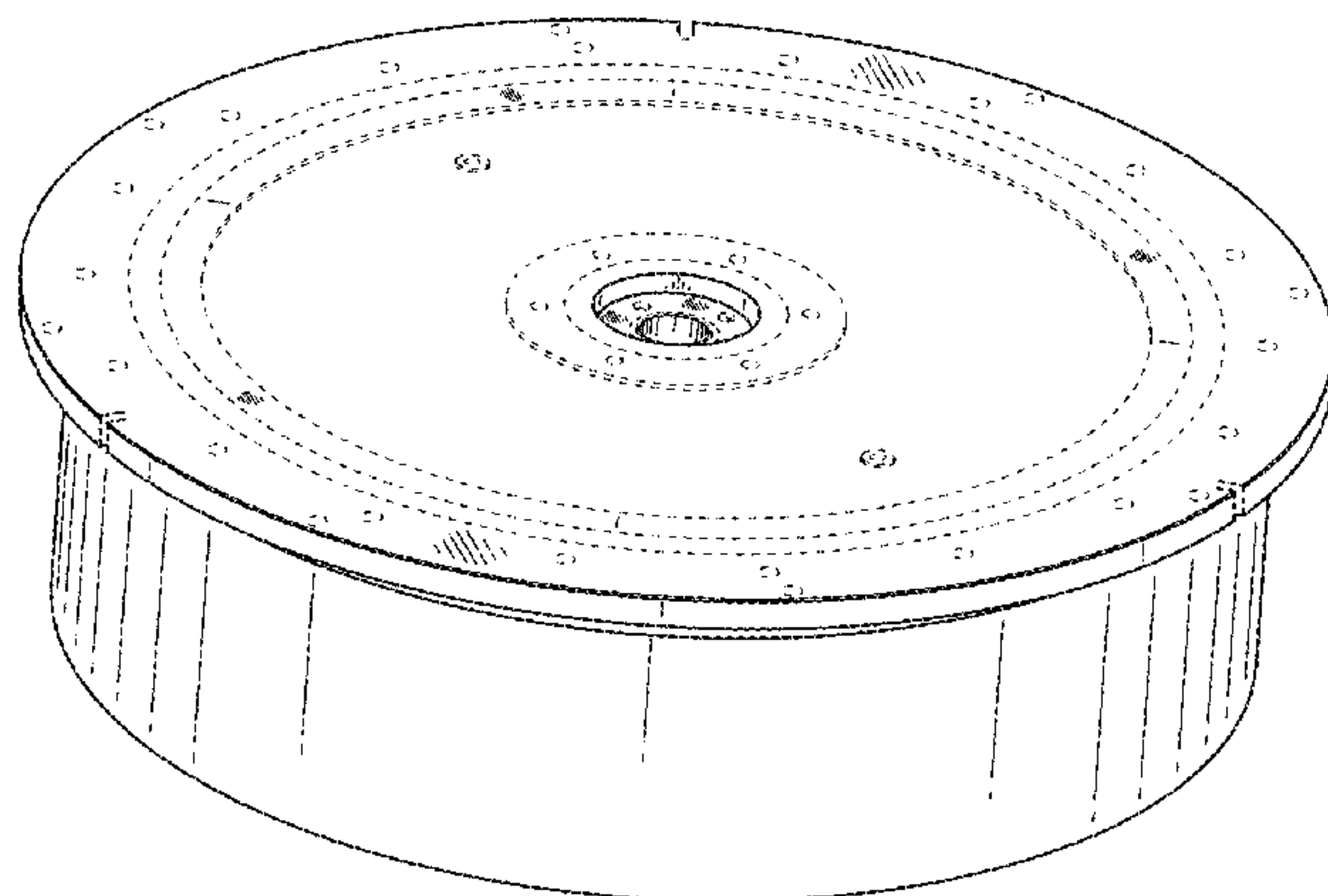
FIG. 14 is a right side elevation view thereof.

FIG. 15 is a left side elevation view thereof; and,

FIG. 16 is a cross-sectional view taken along line 16-16 in FIG. 10.

The broken lines in FIGS. 1-16 show portions of an inner shield for a substrate processing chamber which form no part of the claimed design.

**1 Claim, 12 Drawing Sheets**



(56)

**References Cited**

## U.S. PATENT DOCUMENTS

D557,425 S \* 12/2007 Nakamura ..... D24/232  
D642,605 S \* 8/2011 Ishikawa ..... D15/144.1  
D655,258 S \* 3/2012 Honma ..... D13/182  
D693,782 S \* 11/2013 Mori ..... D13/182  
D703,160 S \* 4/2014 Tanimura ..... D13/182  
D711,331 S \* 8/2014 Lau ..... D13/182  
D716,239 S \* 10/2014 Lau ..... D13/182  
D802,790 S \* 11/2017 Tauchi ..... D24/232  
D804,436 S \* 12/2017 Tauchi ..... D13/182  
9,865,437 B2 1/2018 Chia et al.  
D812,578 S \* 3/2018 Uemura ..... D13/182  
D827,592 S \* 9/2018 Ichino ..... D13/182  
D830,981 S \* 10/2018 Jeong ..... D13/182  
D840,364 S \* 2/2019 Ichino ..... D13/182  
D840,365 S \* 2/2019 Ichino ..... D13/182  
D855,027 S \* 7/2019 Okajima ..... D13/182  
D891,382 S \* 7/2020 Koppa ..... D13/182  
D893,441 S \* 8/2020 Rao ..... D13/199  
2004/0149216 A1 8/2004 Osada et al.  
2007/0113783 A1 \* 5/2007 Lee ..... C23C 16/4412  
118/715  
2010/0291319 A1 11/2010 Yamashita et al.  
2011/0108524 A1 5/2011 Dhindsa et al.  
2013/0098554 A1 4/2013 Chhatre et al.  
2013/0284700 A1 10/2013 Nangoy et al.

\* cited by examiner

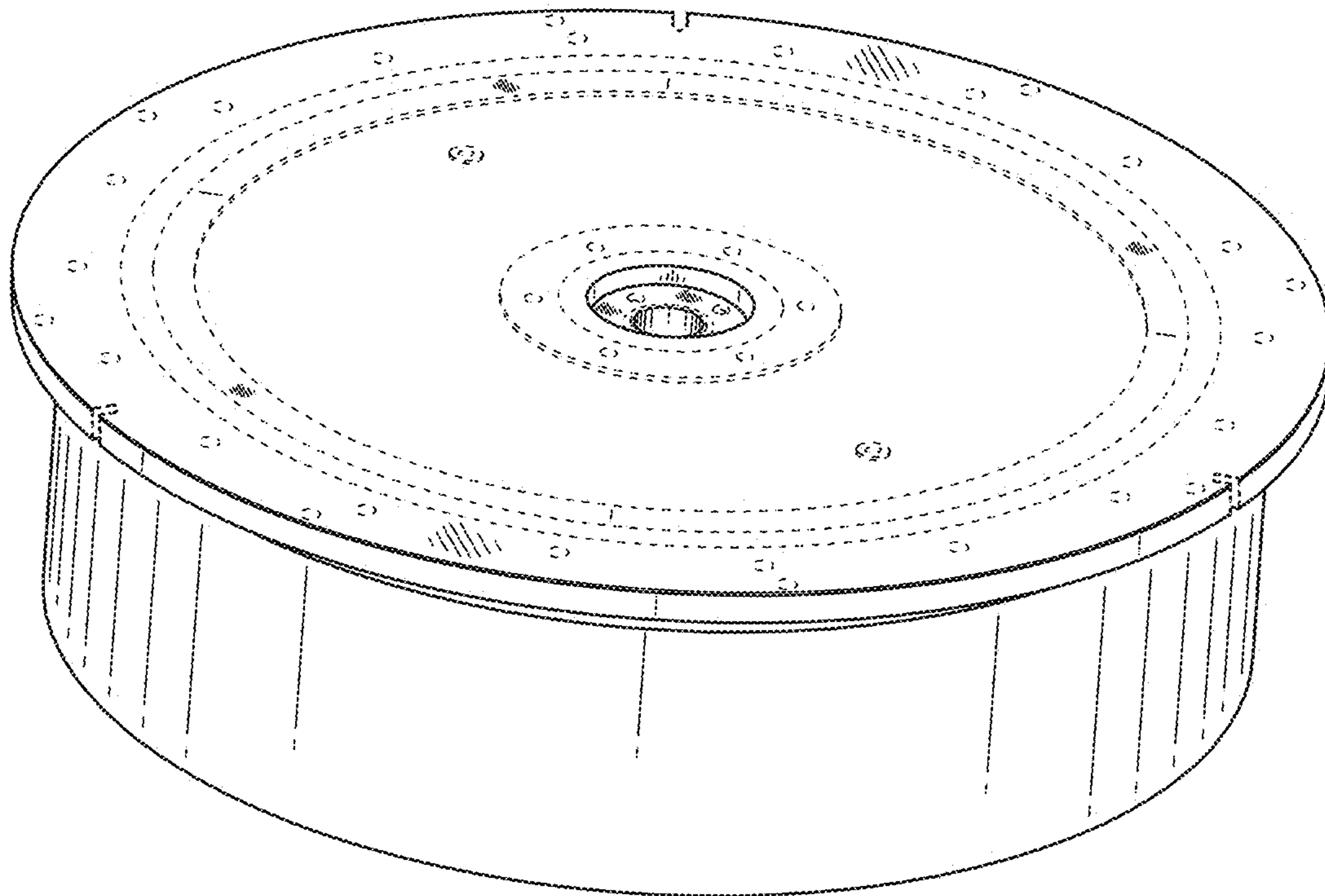


FIG. 1

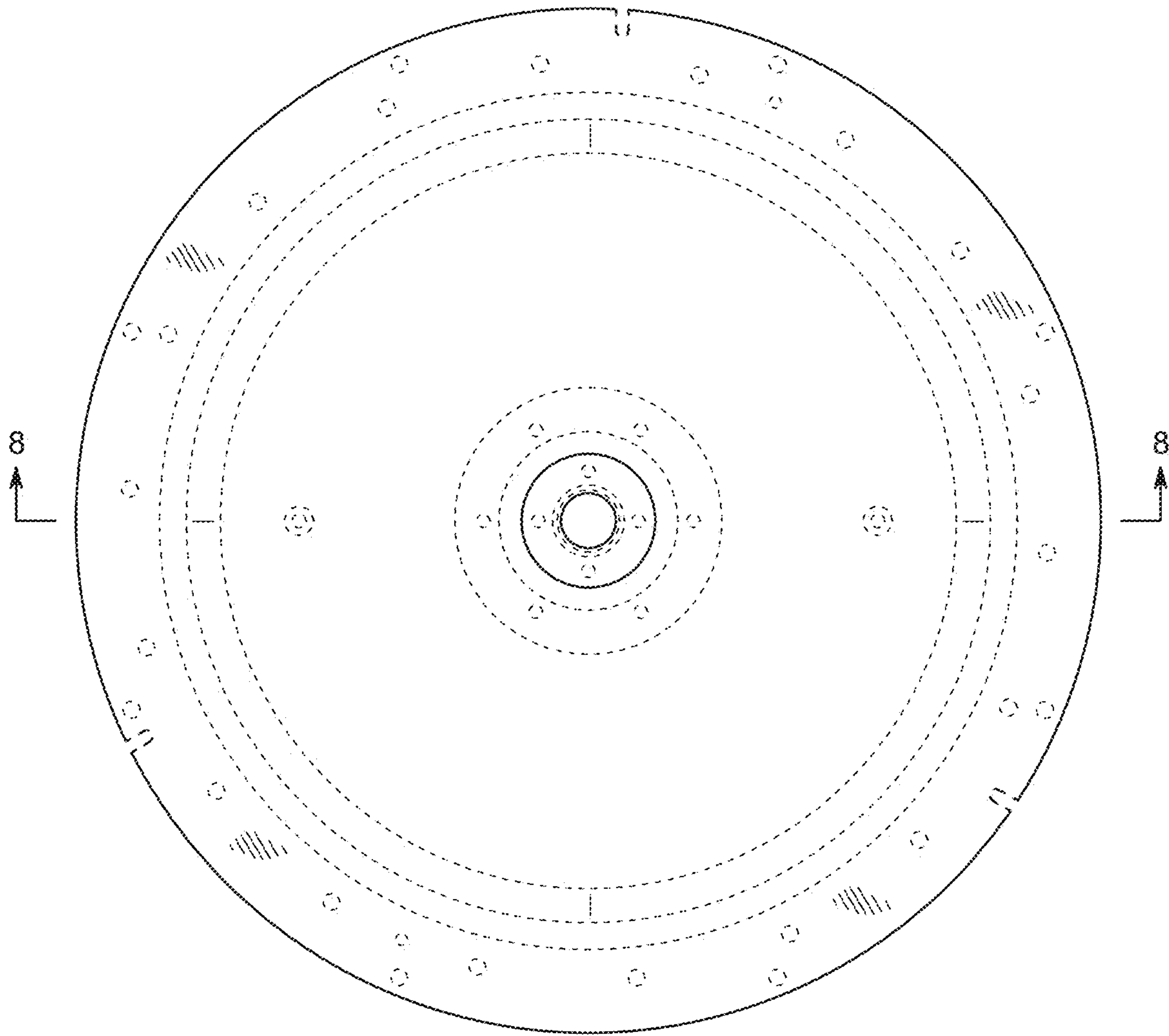


FIG. 2



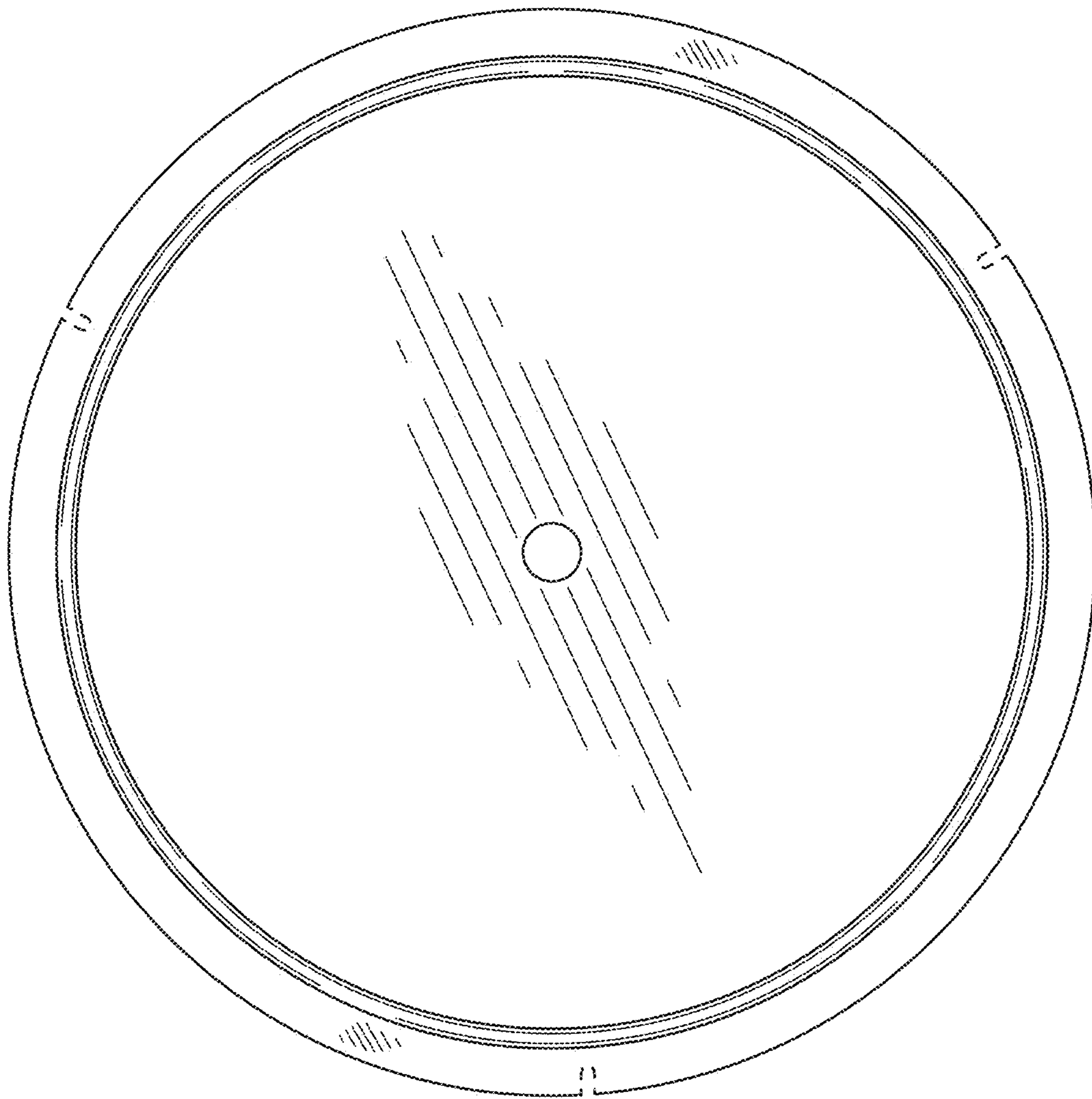


FIG. 3

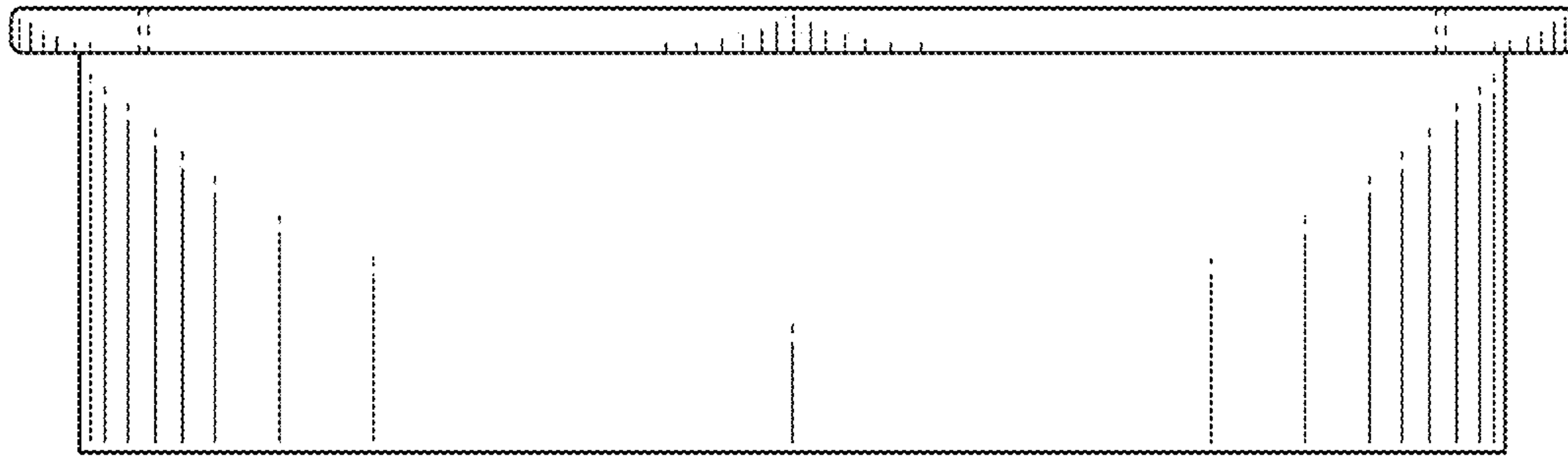


FIG. 4

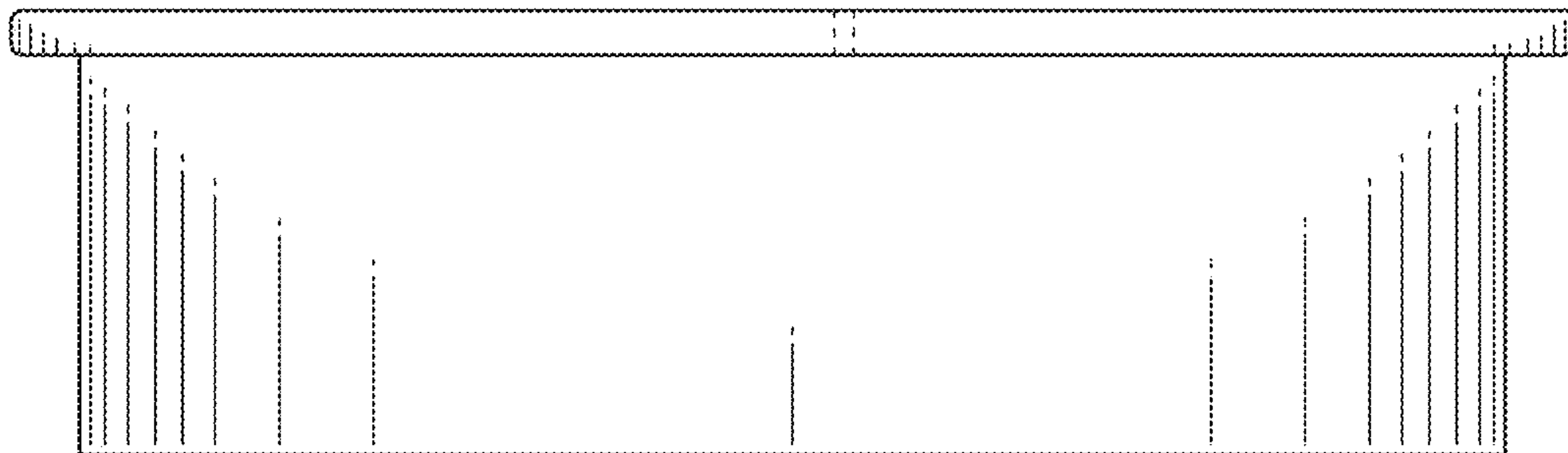


FIG. 5

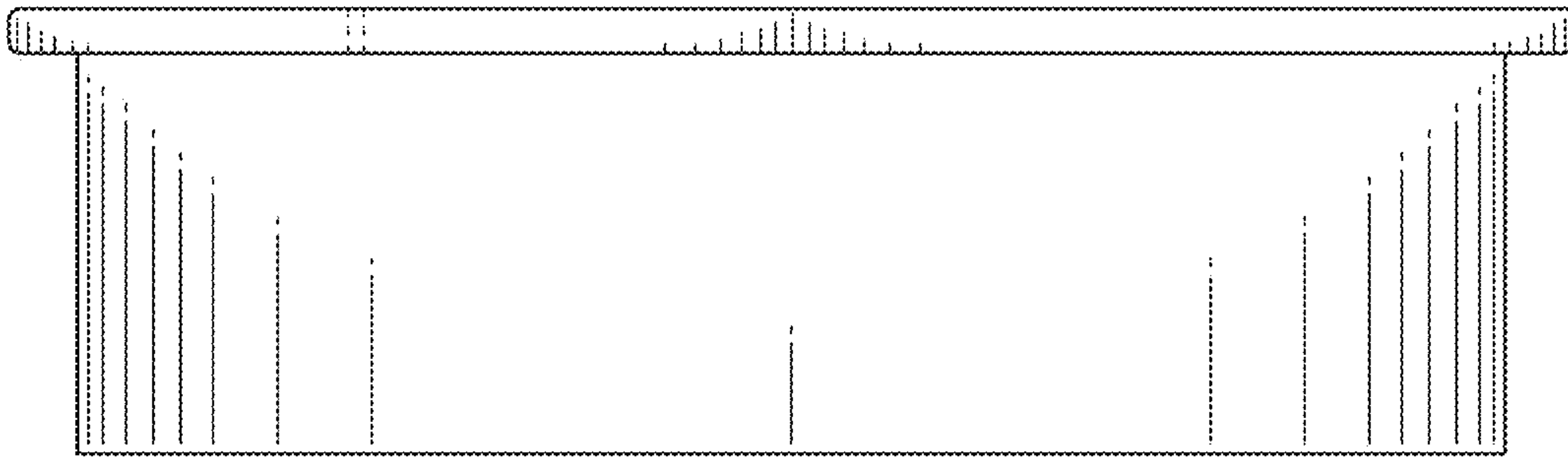


FIG. 6

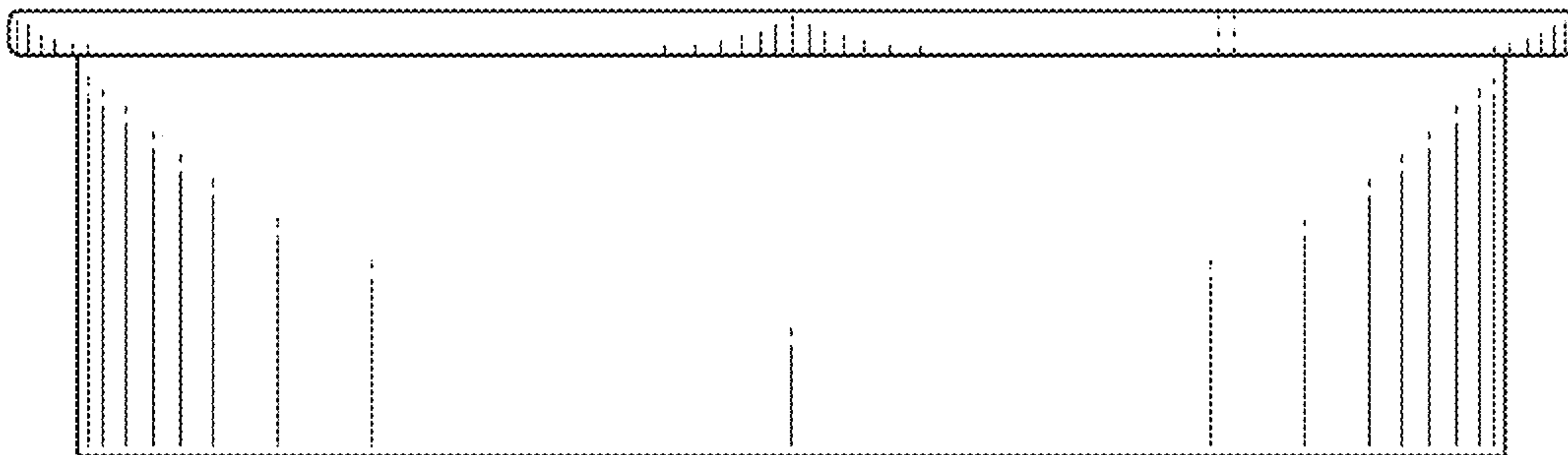


FIG. 7

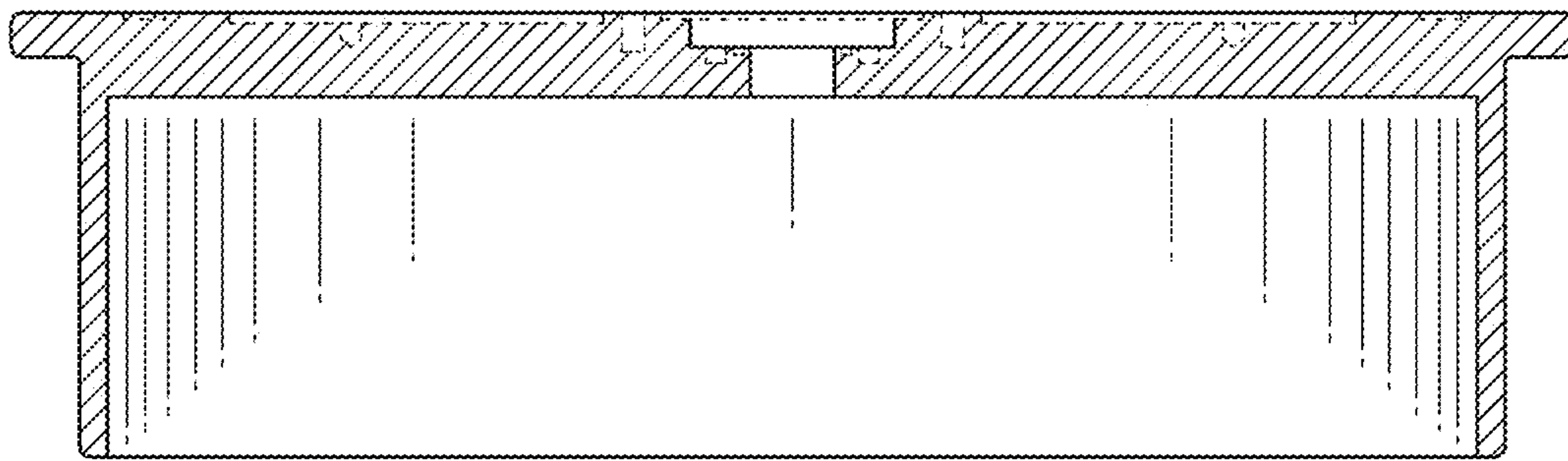


FIG. 8



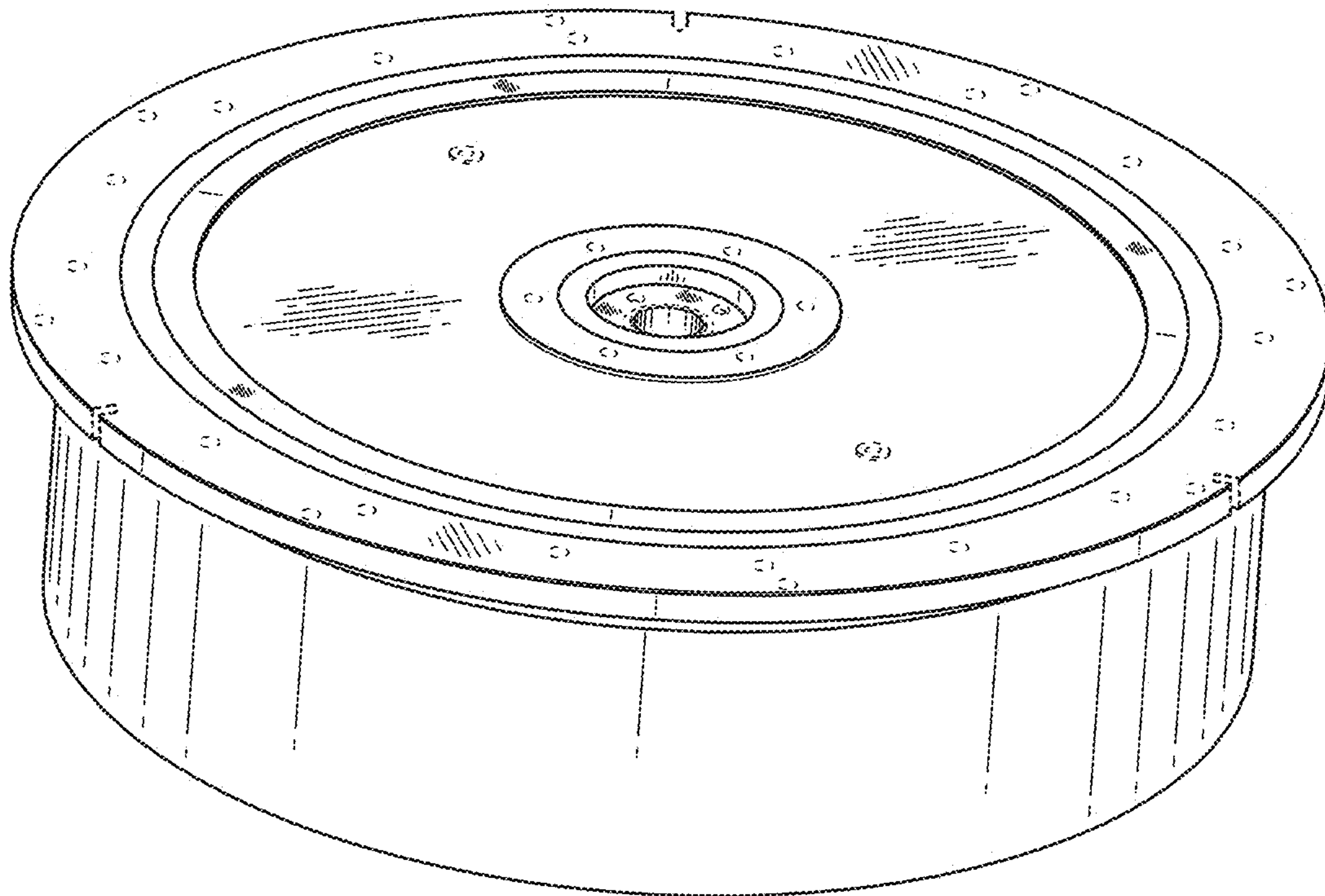


FIG. 9

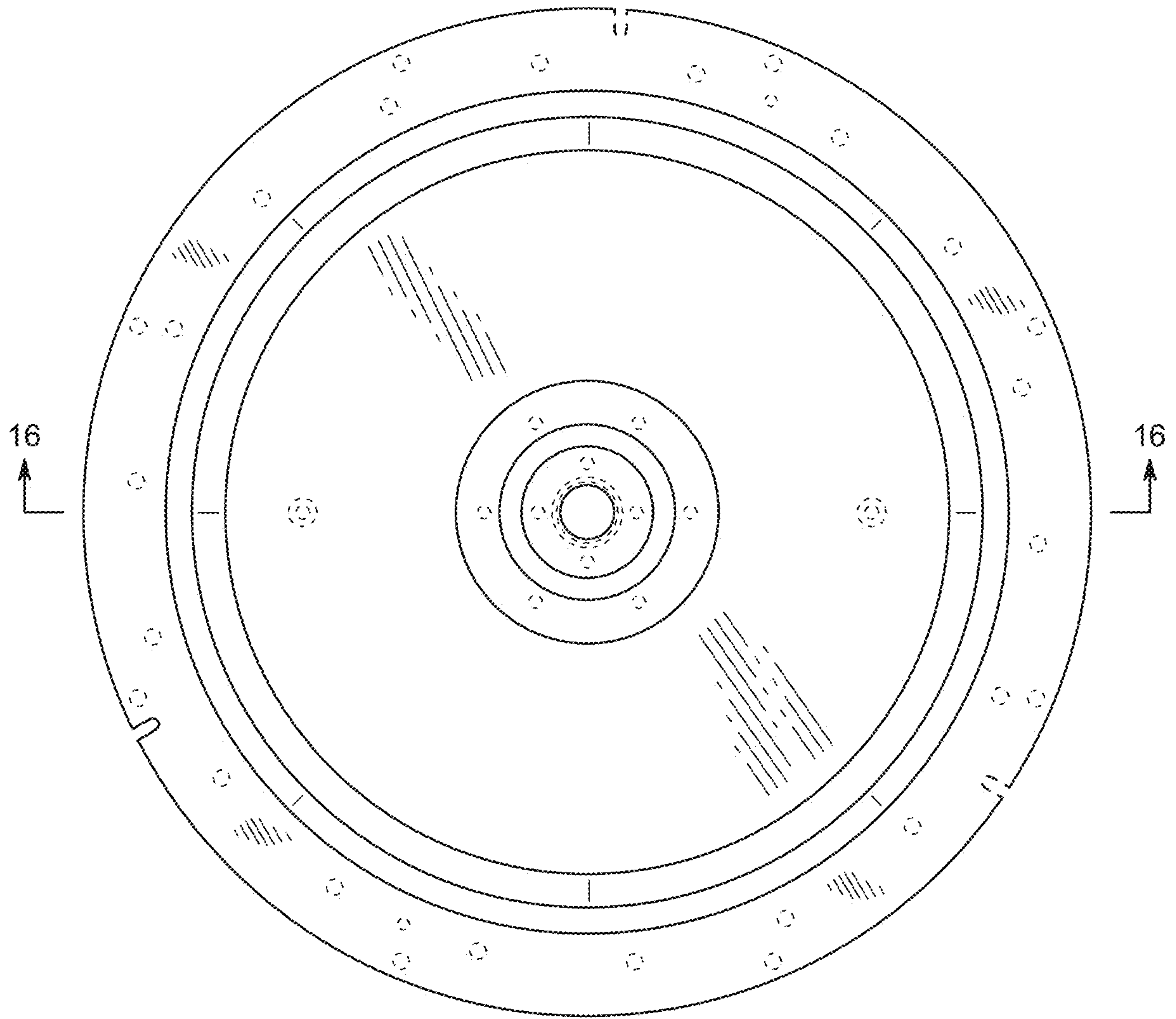


FIG. 10

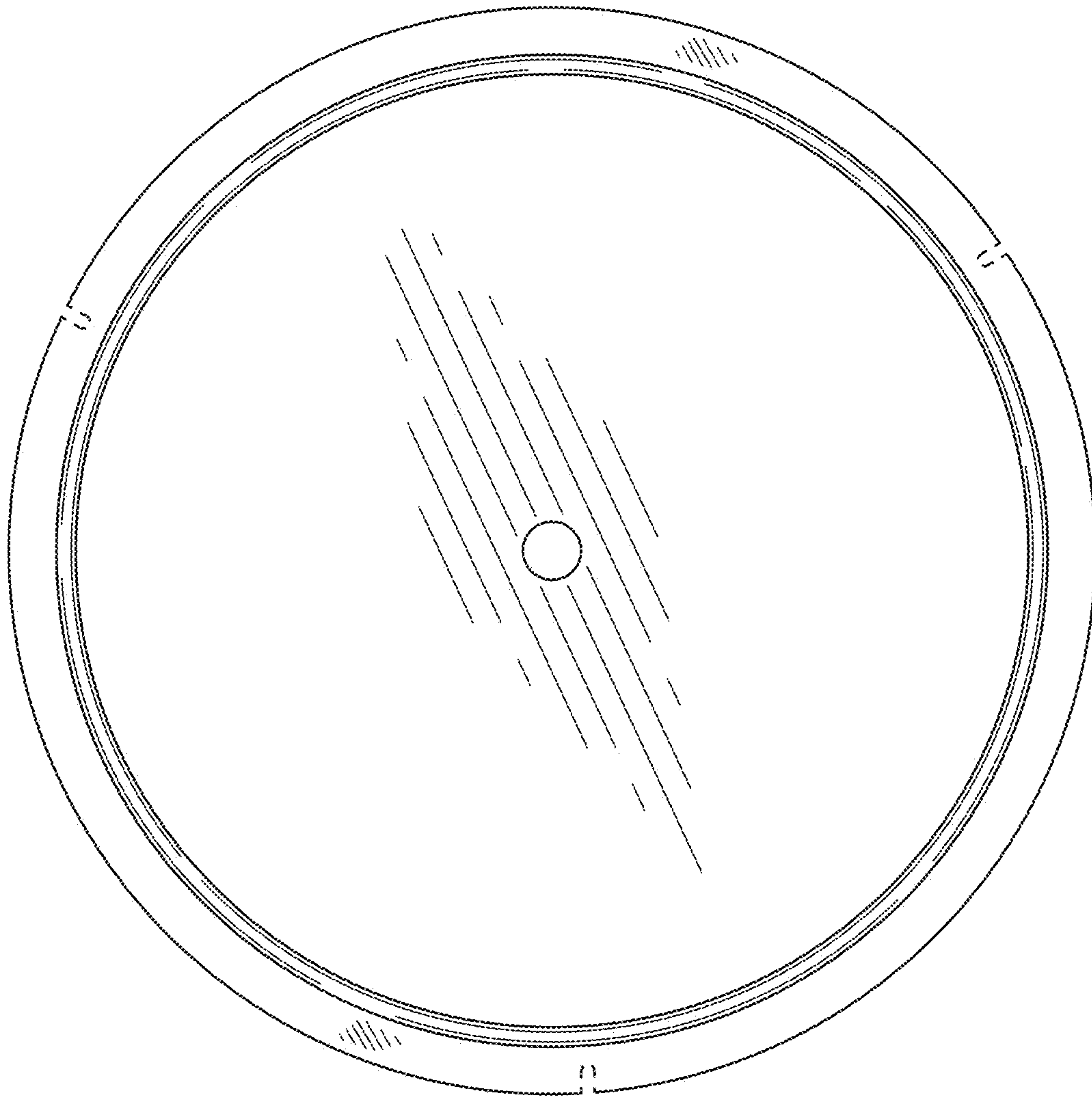


FIG. 11

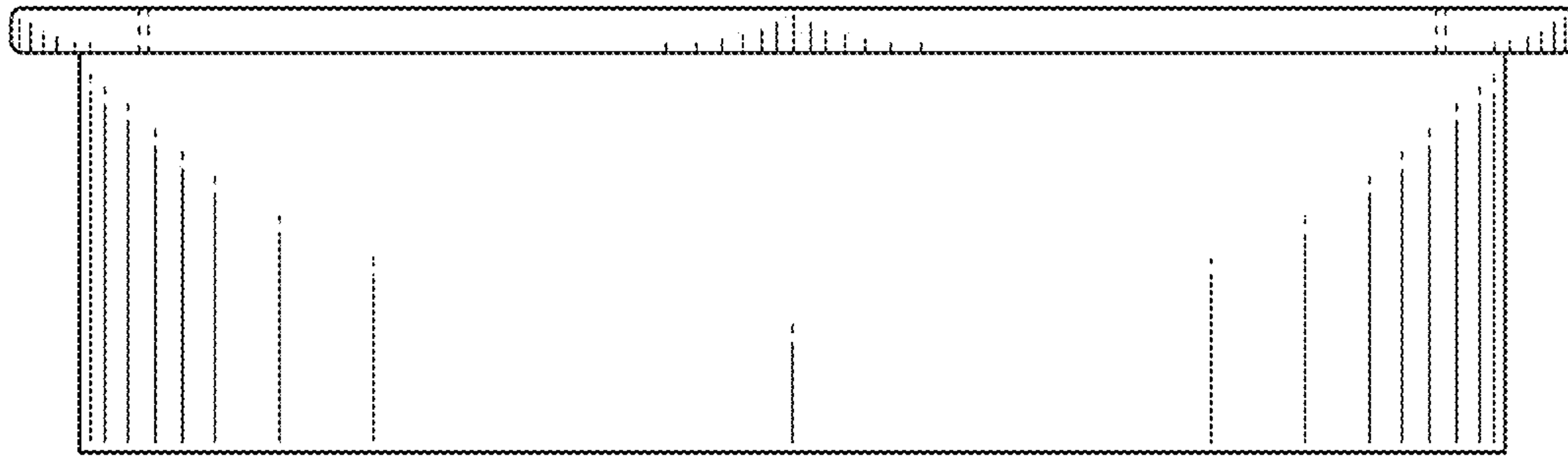


FIG. 12

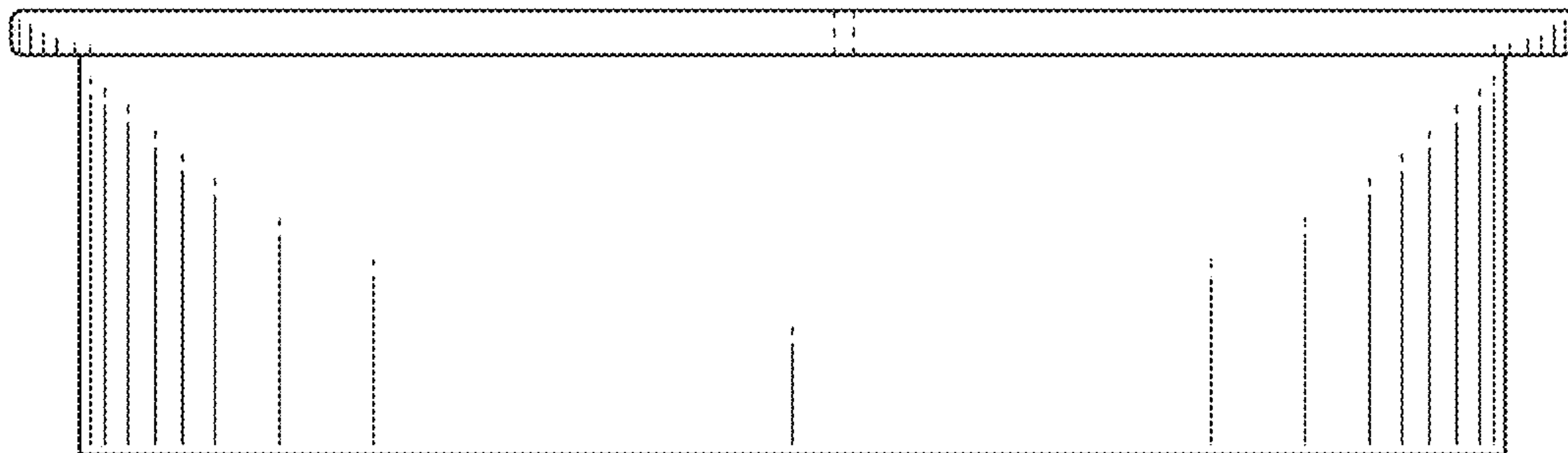


FIG. 13

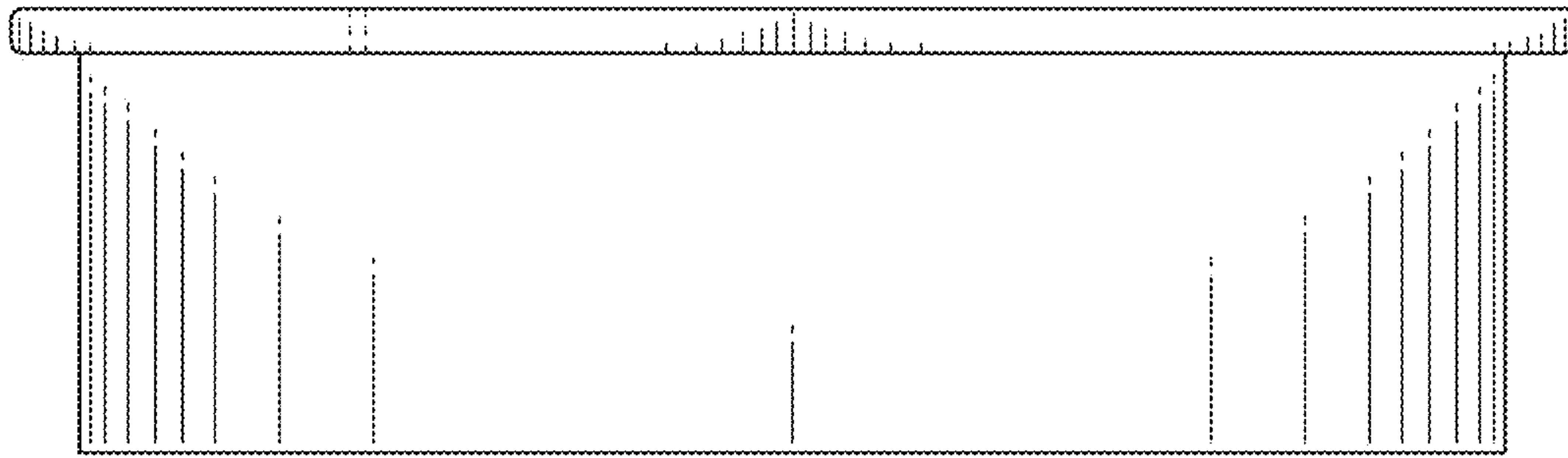


FIG. 14

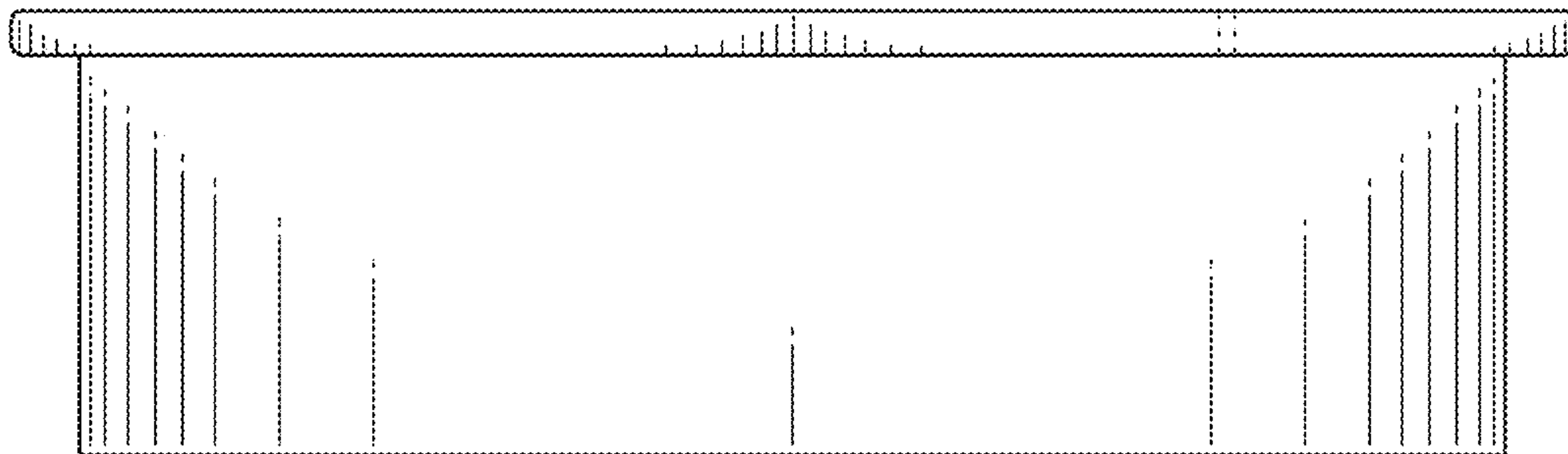


FIG. 15



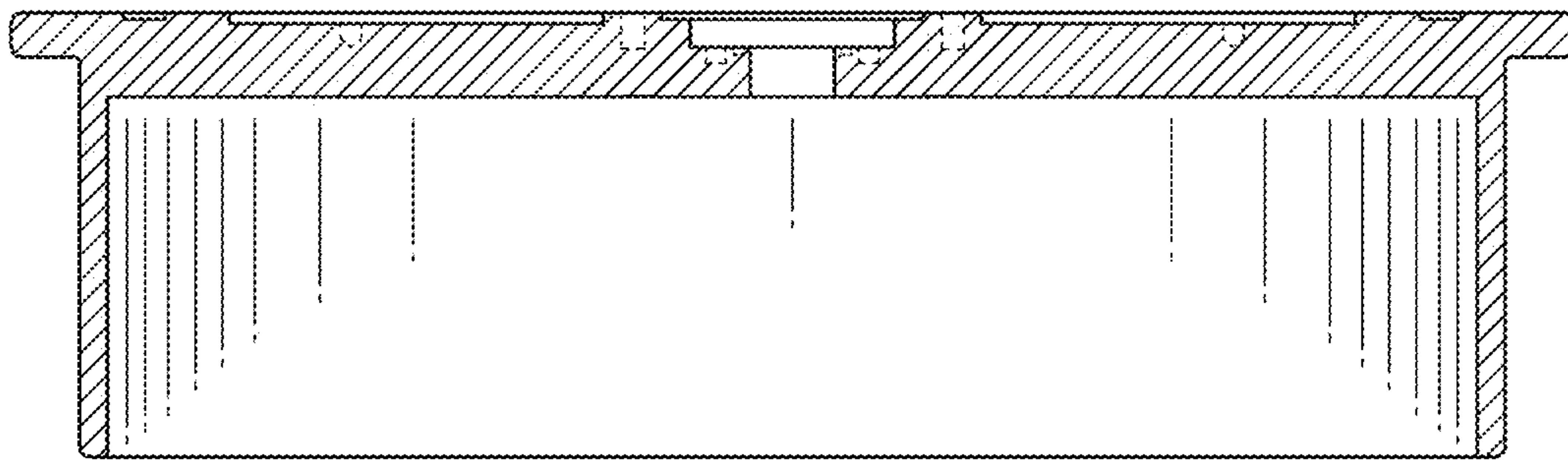


FIG. 16