



US00D913975S

(12) **United States Design Patent** (10) **Patent No.:** **US D913,975 S**
Vera (45) **Date of Patent:** **** Mar. 23, 2021**

(54) **DOUBLE LOCKING COVER BOX**

FOREIGN PATENT DOCUMENTS

(71) Applicant: **Yader Vera**, Gaithersburg, MD (US)

AU 2016256768 2/2018
WO DM075517 2/2011

(72) Inventor: **Yader Vera**, Gaithersburg, MD (US)

Primary Examiner — Jennifer O King

(**) Term: **15 Years**

(57) **CLAIM**

(21) Appl. No.: **29/712,378**

The ornamental design for a double locking cover box, as shown and described.

(22) Filed: **Nov. 7, 2019**

(51) **LOC (13) Cl.** **13-03**

(52) **U.S. Cl.**

USPC **D13/156**

(58) **Field of Classification Search**

USPC D13/110, 123, 133, 137.1, 139.1, 139.4,
D13/152, 154, 155, 156, 158, 162, 164,
D13/173, 177, 184; D8/349-351, 353
CPC H02G 3/14; H02G 3/088; H01H 9/02;
H01H 9/04; H01R 13/6397

See application file for complete search history.

DESCRIPTION

FIG. 1 is a top right front perspective view of a double locking cover box showing my new design; FIG. 2 is a bottom left front perspective view thereof; FIG. 3 is a top right rear perspective view thereof; FIG. 4 is a bottom left rear perspective view thereof; FIG. 5 is a top plan view of a double locking cover box; FIG. 6 is a bottom plan view thereof; FIG. 7 is a front elevational view thereof; FIG. 8 is a rear elevational view thereof; FIG. 9 is a right elevational view thereof; FIG. 10 is a left elevational view thereof; and FIG. 11 is a bottom right front perspective view of the double locking cover box in an open configuration. FIG. 12 is a top right front perspective view of the double locking cover box in an open configuration. FIG. 13 is a bottom right front perspective view of the double locking cover box in an open configuration. FIG. 14 is a top right front perspective view of the double locking cover box in an open configuration. FIG. 15 is a left bottom perspective view of the double locking cover box in an open configuration; and, FIG. 16 is a left top perspective view of the double locking cover box in an open configuration. The broken lines shown are included for the purpose of illustrating portions of the double locking cover box that form no art of the claimed design.

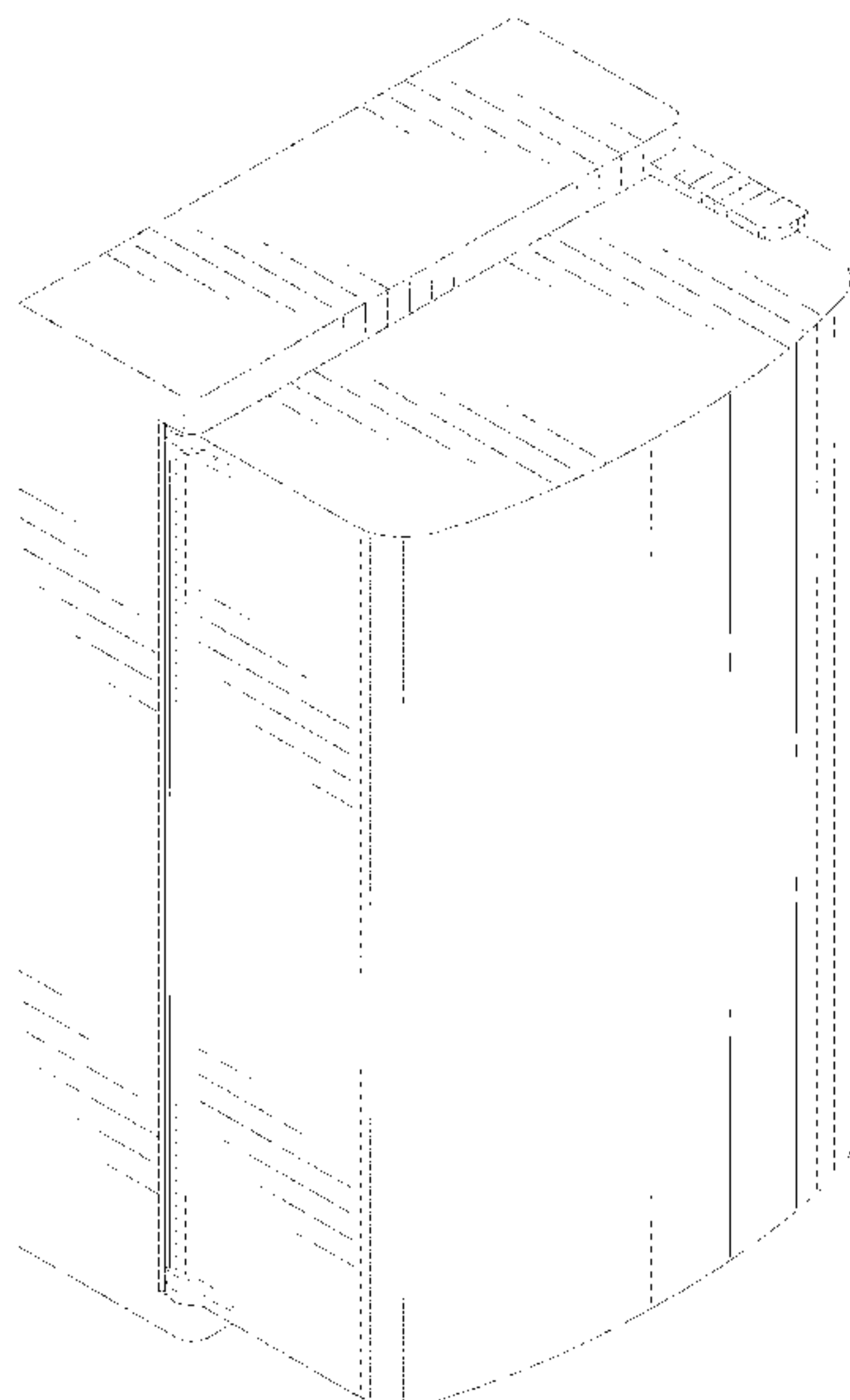
(56) **References Cited**

U.S. PATENT DOCUMENTS

4,950,842 A 8/1990 Menninga
5,045,640 A 9/1991 Riceman
5,362,924 A 11/1994 Correnti
D486,452 S 2/2004 Dinh
7,071,415 B1 7/2006 Shotey
D531,961 S * 11/2006 Greenfield H02G 3/088
D13/156
D533,510 S * 12/2006 Guercio D13/152
7,265,292 B2 9/2007 Greenfield
D556,145 S * 11/2007 Williams D13/152
D560,170 S * 1/2008 Ni D13/152
D606,492 S * 12/2009 Steinfels D13/119
8,104,639 B1 * 1/2012 Cleghorn H01H 9/02
220/844
8,569,620 B1 * 10/2013 Baldwin H02G 3/14
174/53
D765,037 S * 8/2016 Hebert D13/156
D768,577 S * 10/2016 Elbaz D13/156

(Continued)

1 Claim, 16 Drawing Sheets



(56)

References Cited

U.S. PATENT DOCUMENTS

9,560,784 B1 * 1/2017 Elbaz H05K 5/061
D860,176 S * 9/2019 Siminoff D14/240

* cited by examiner

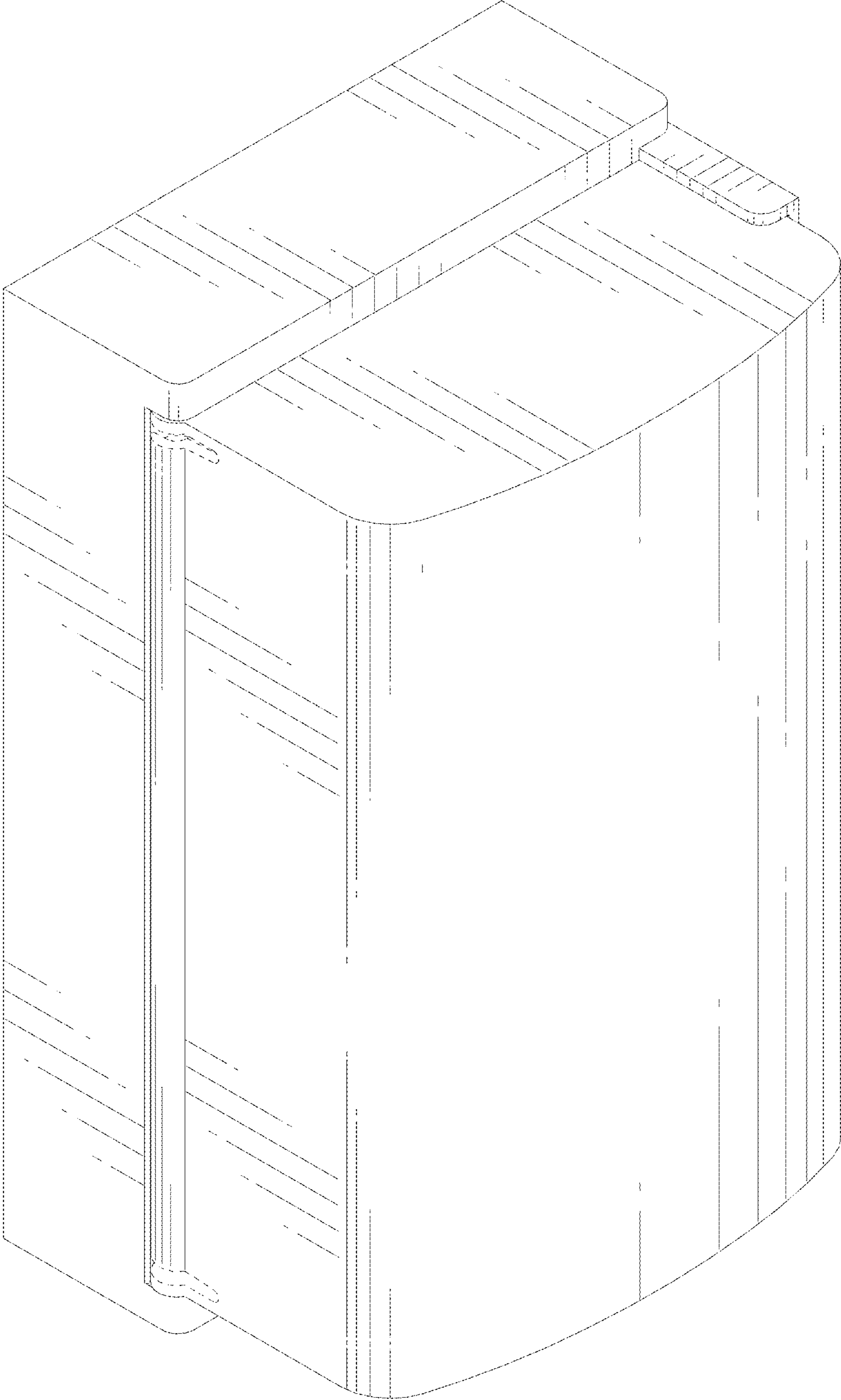


FIG. 1

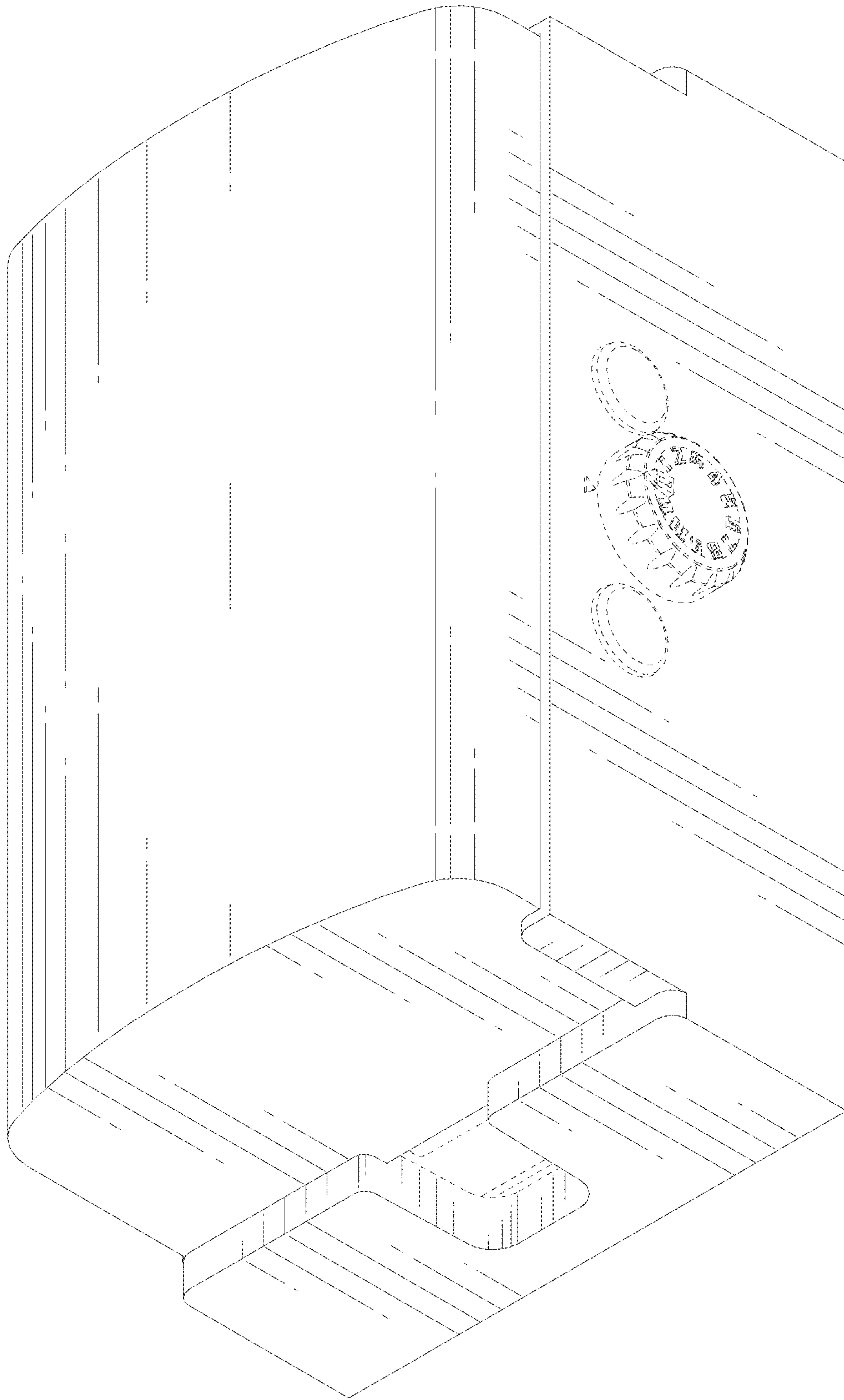


FIG. 2

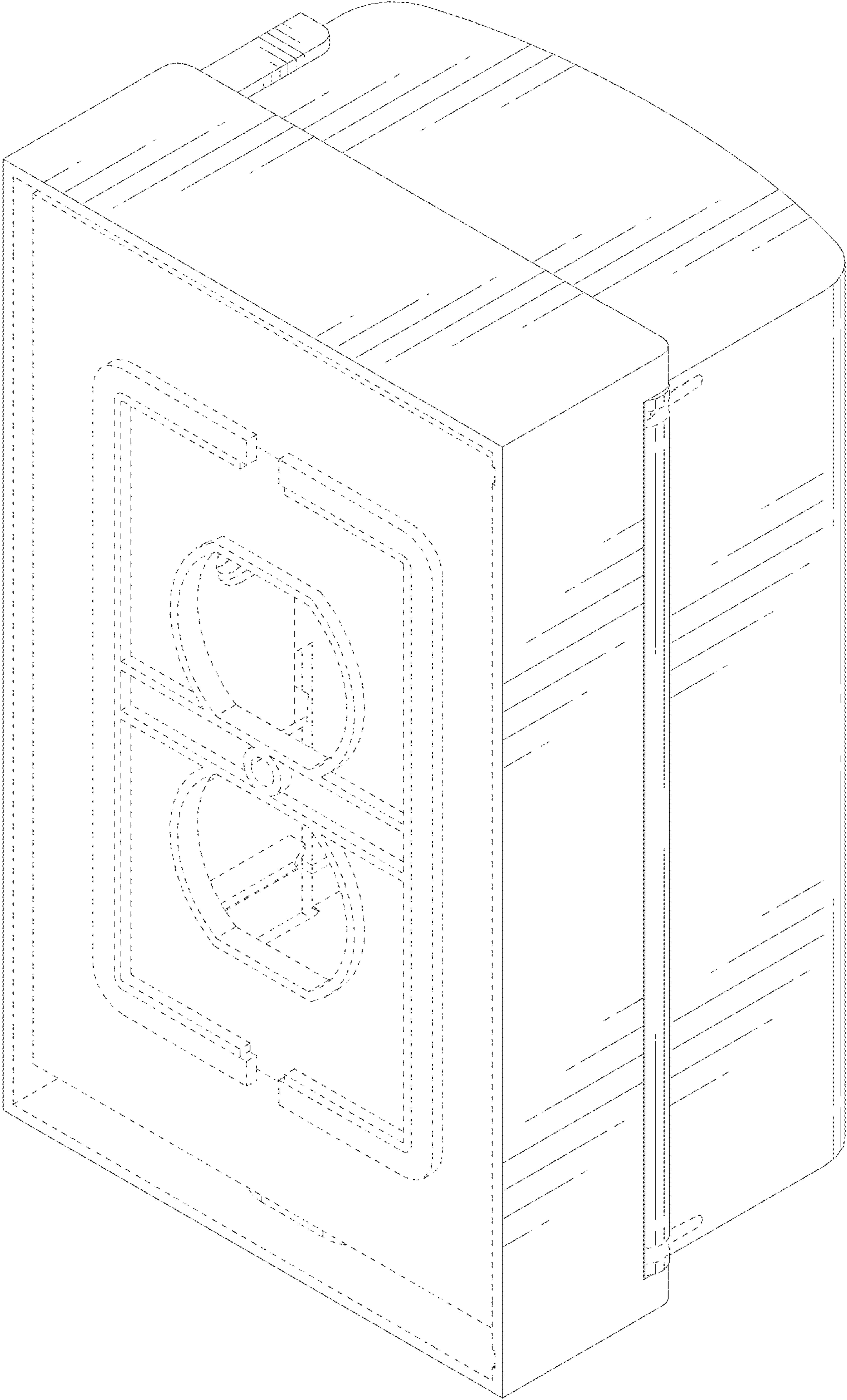


FIG. 3

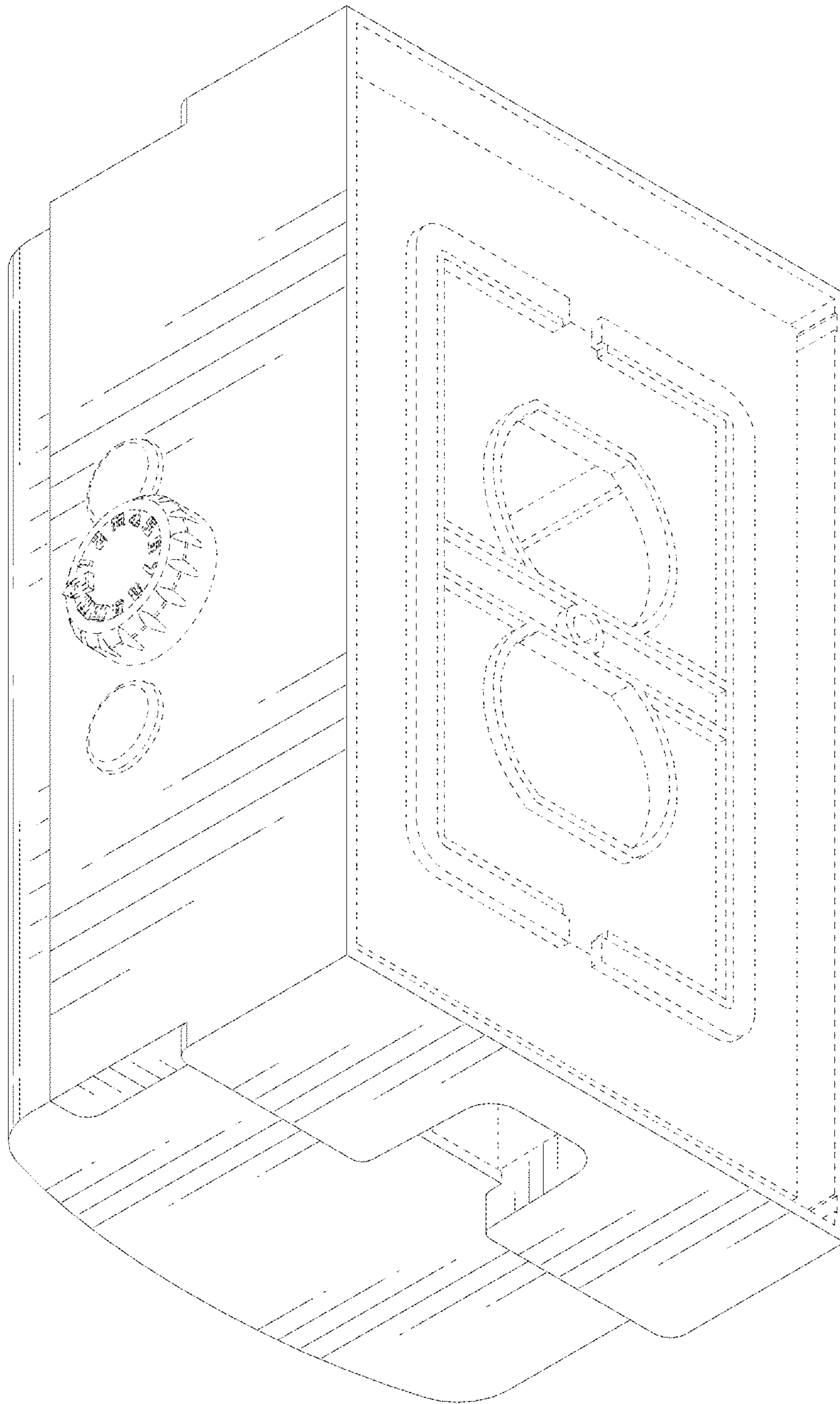


FIG. 4

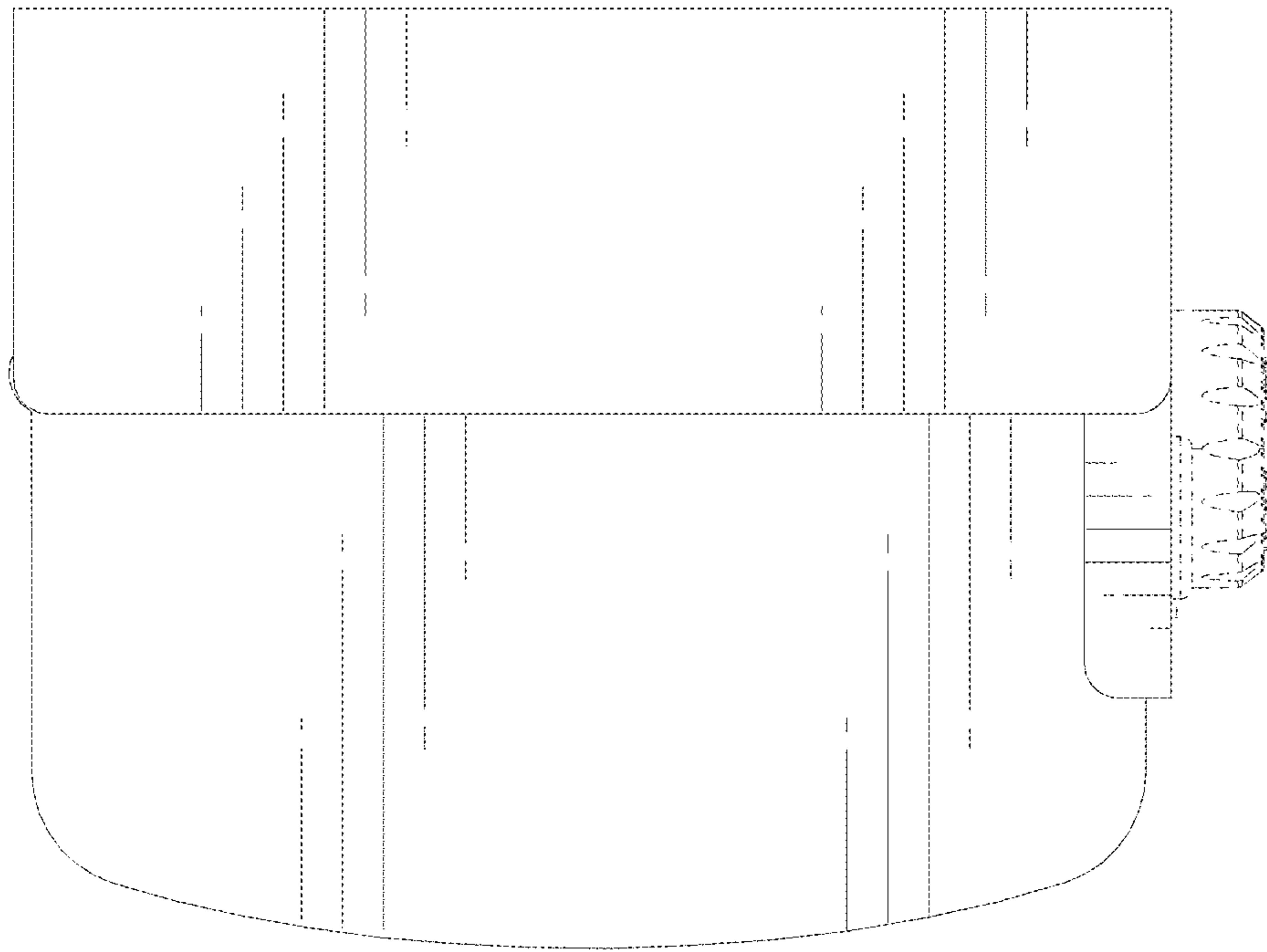


FIG. 5

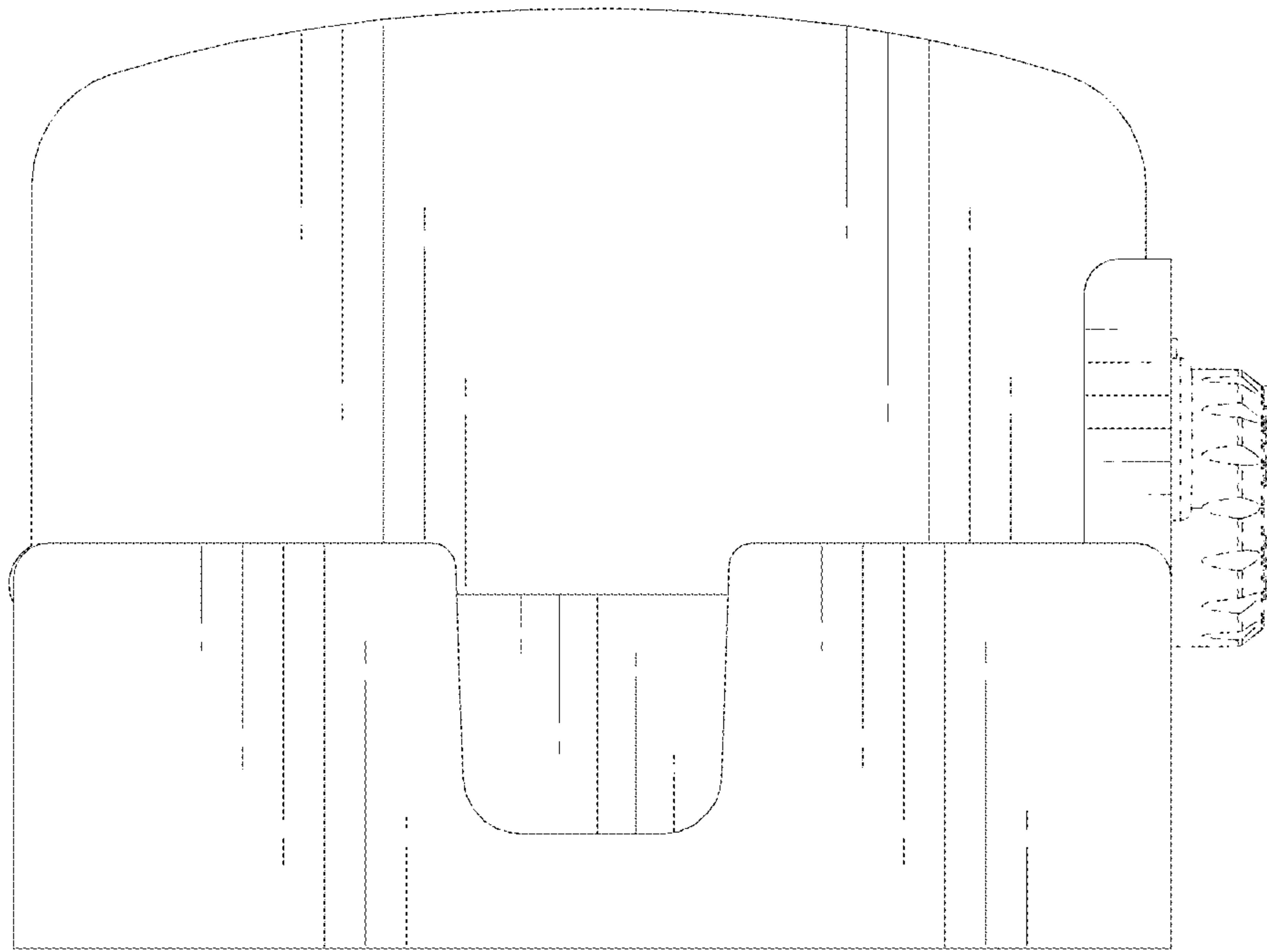


FIG. 6

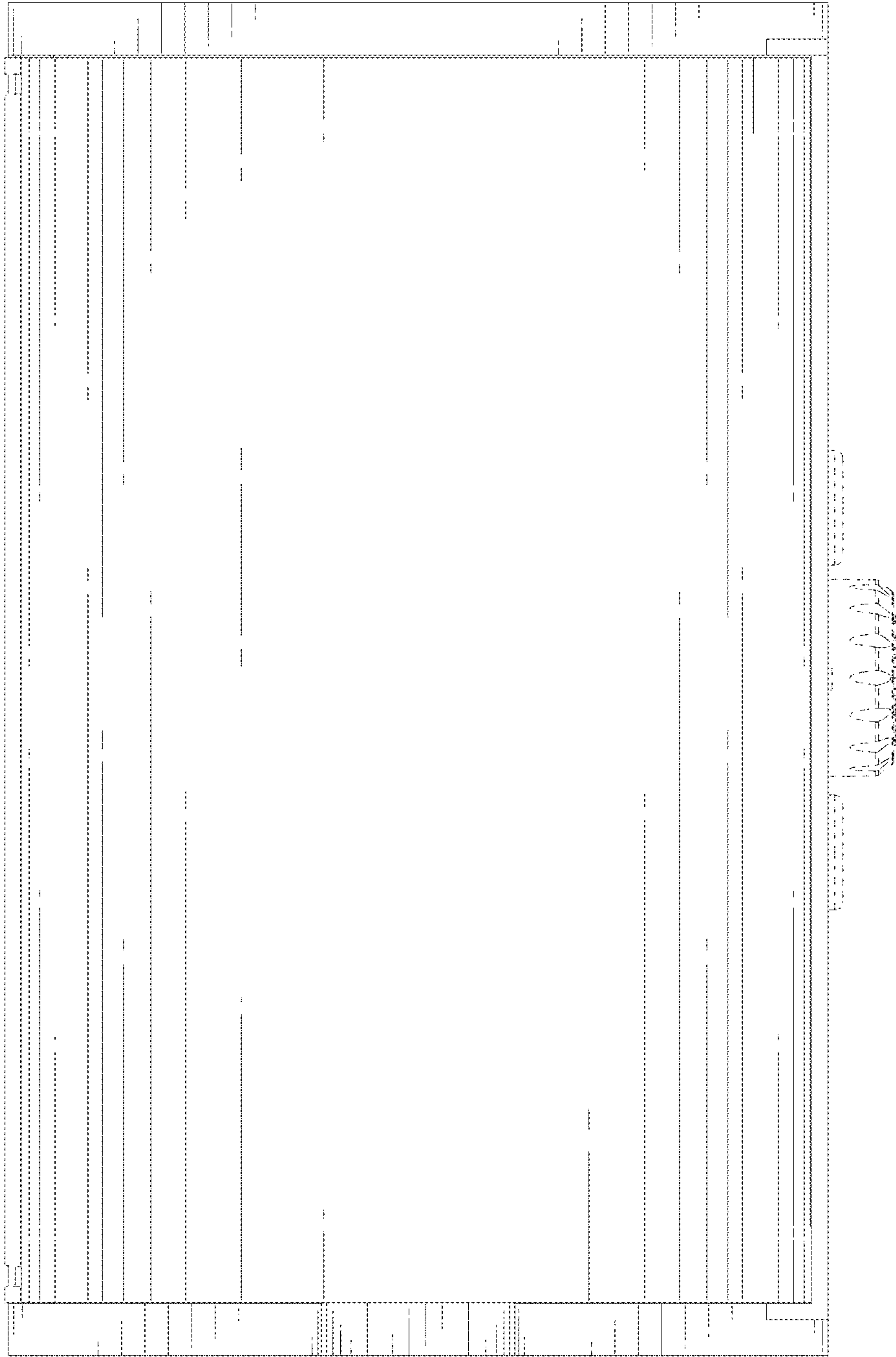


FIG. 7

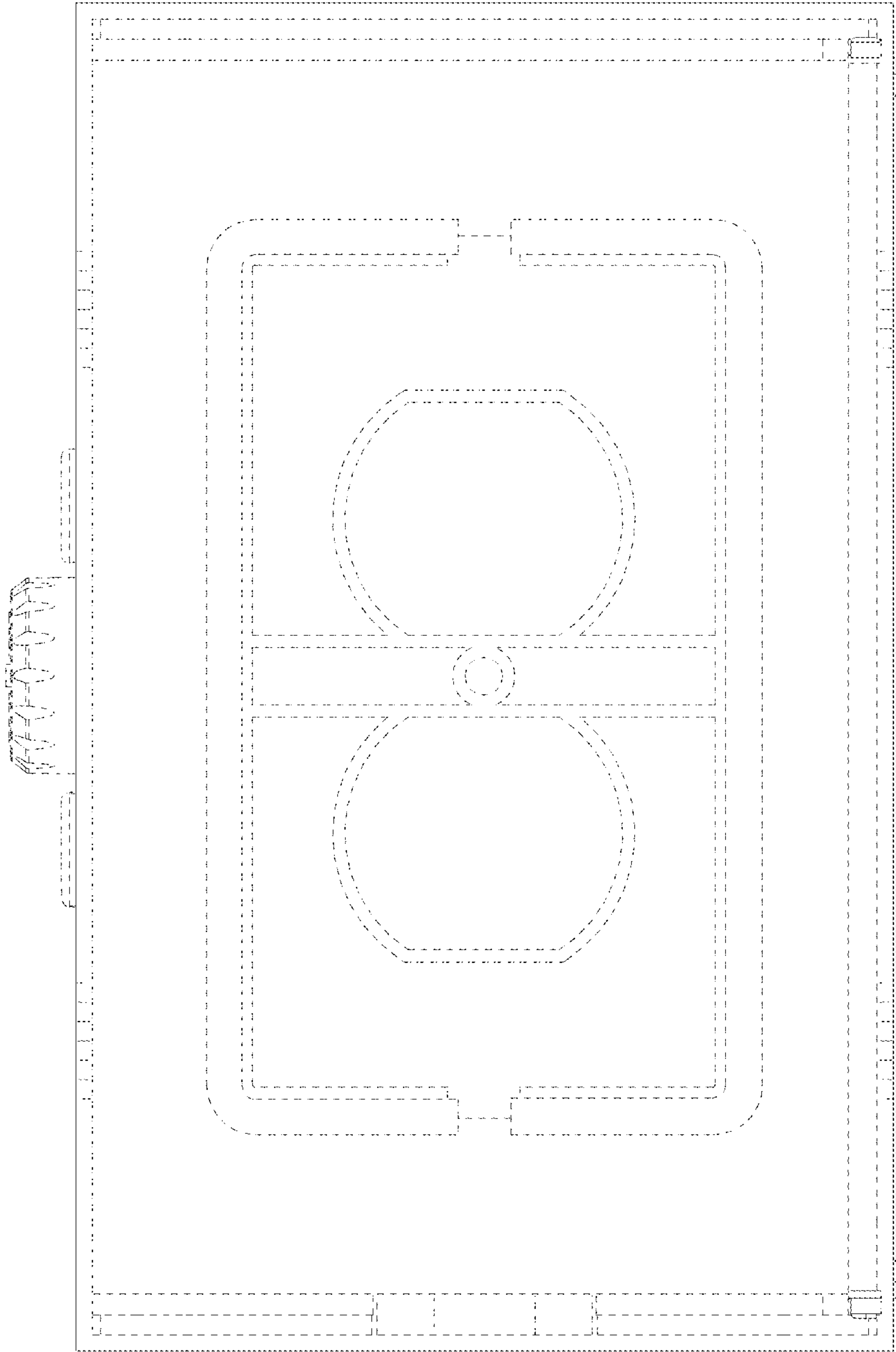


FIG. 8

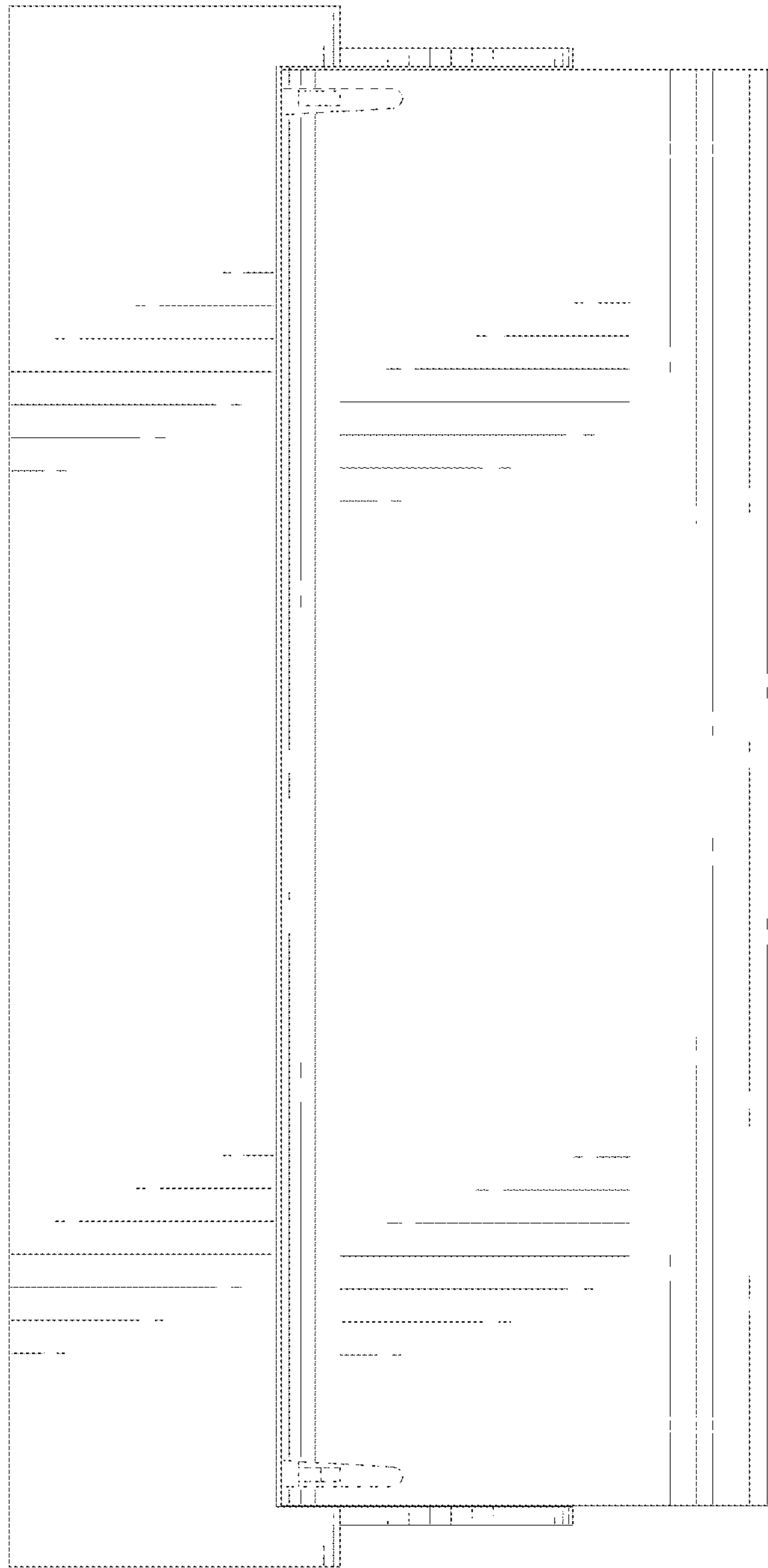


FIG. 9

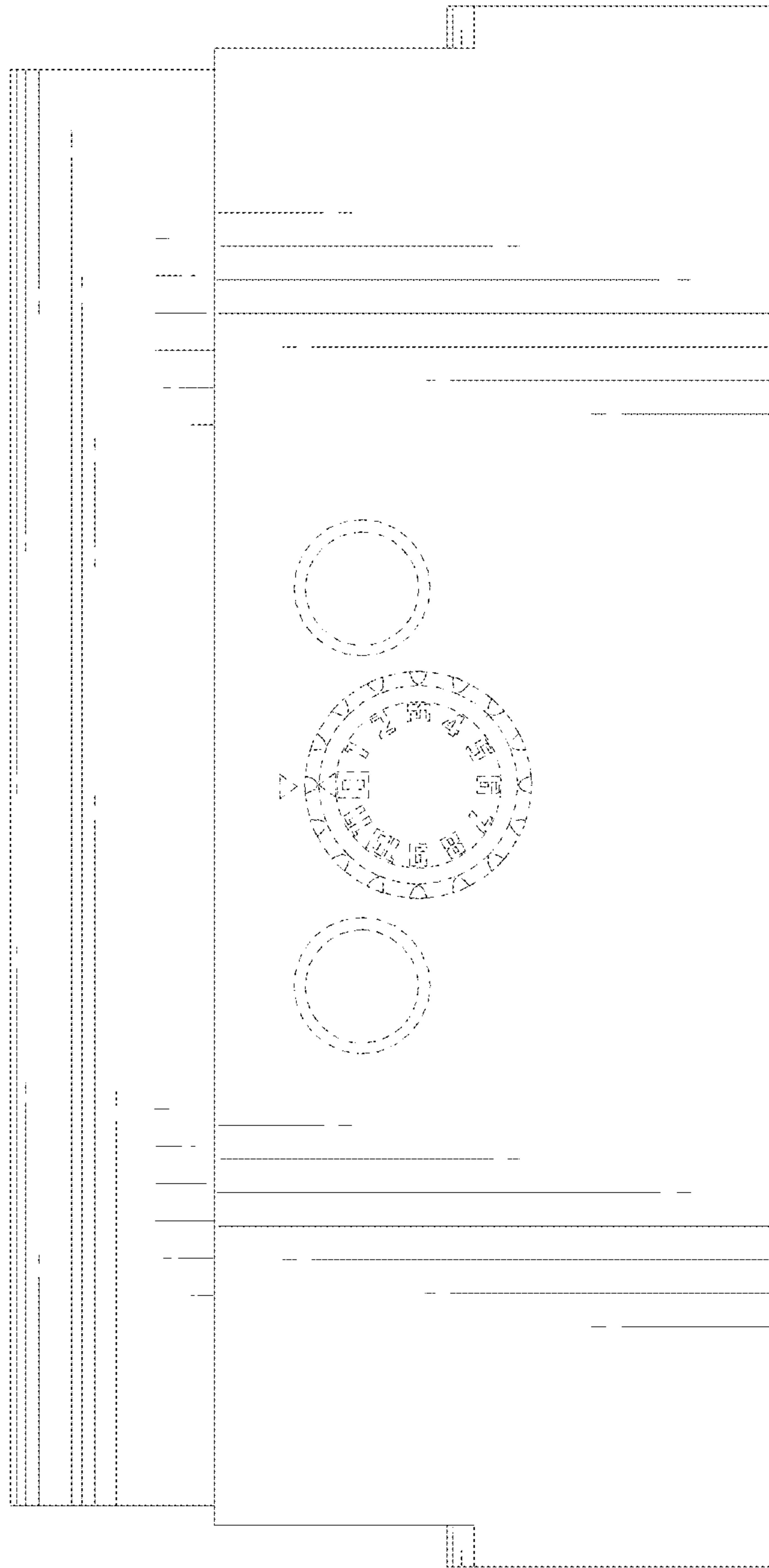


FIG. 10

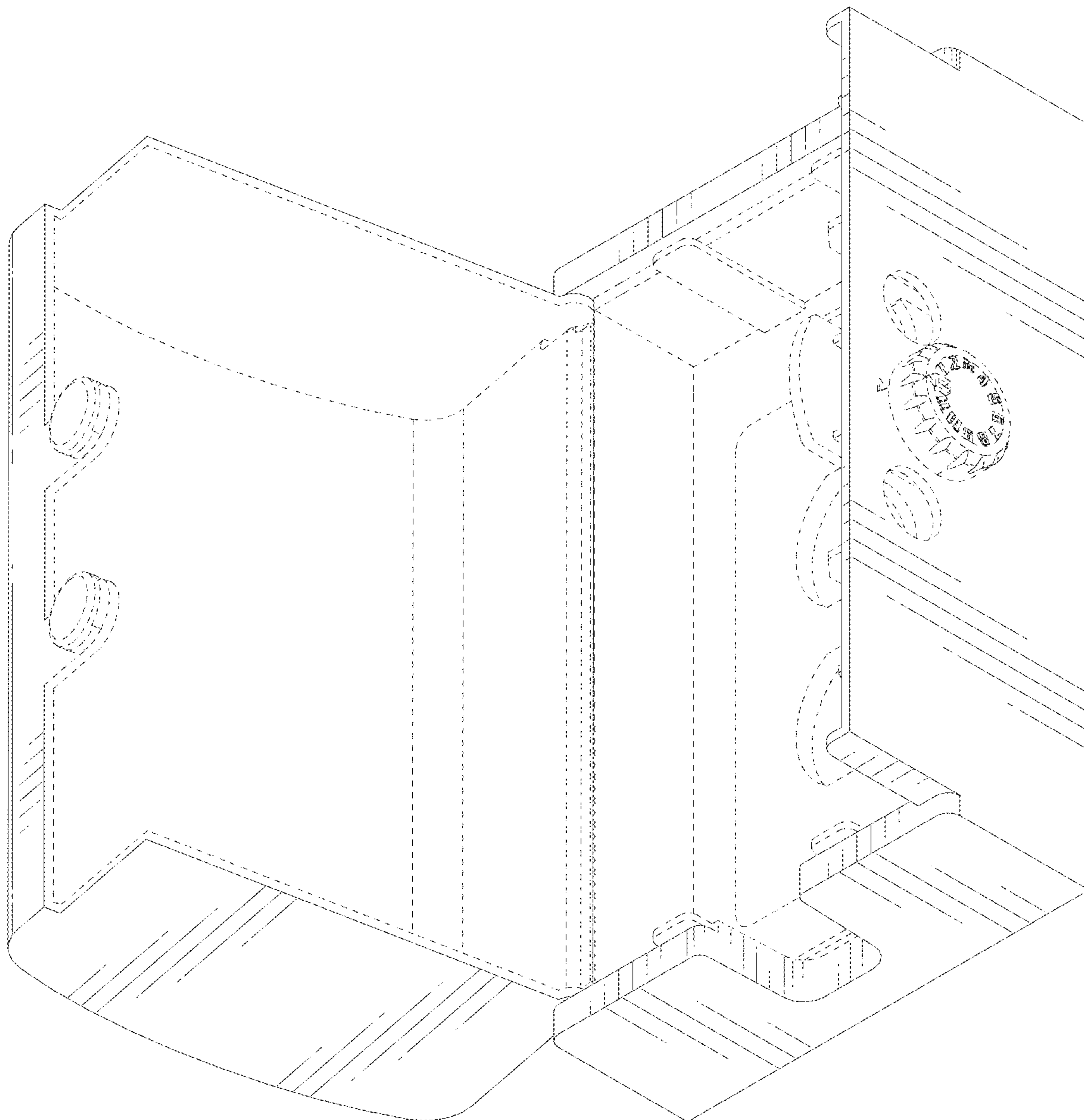


FIG. 11

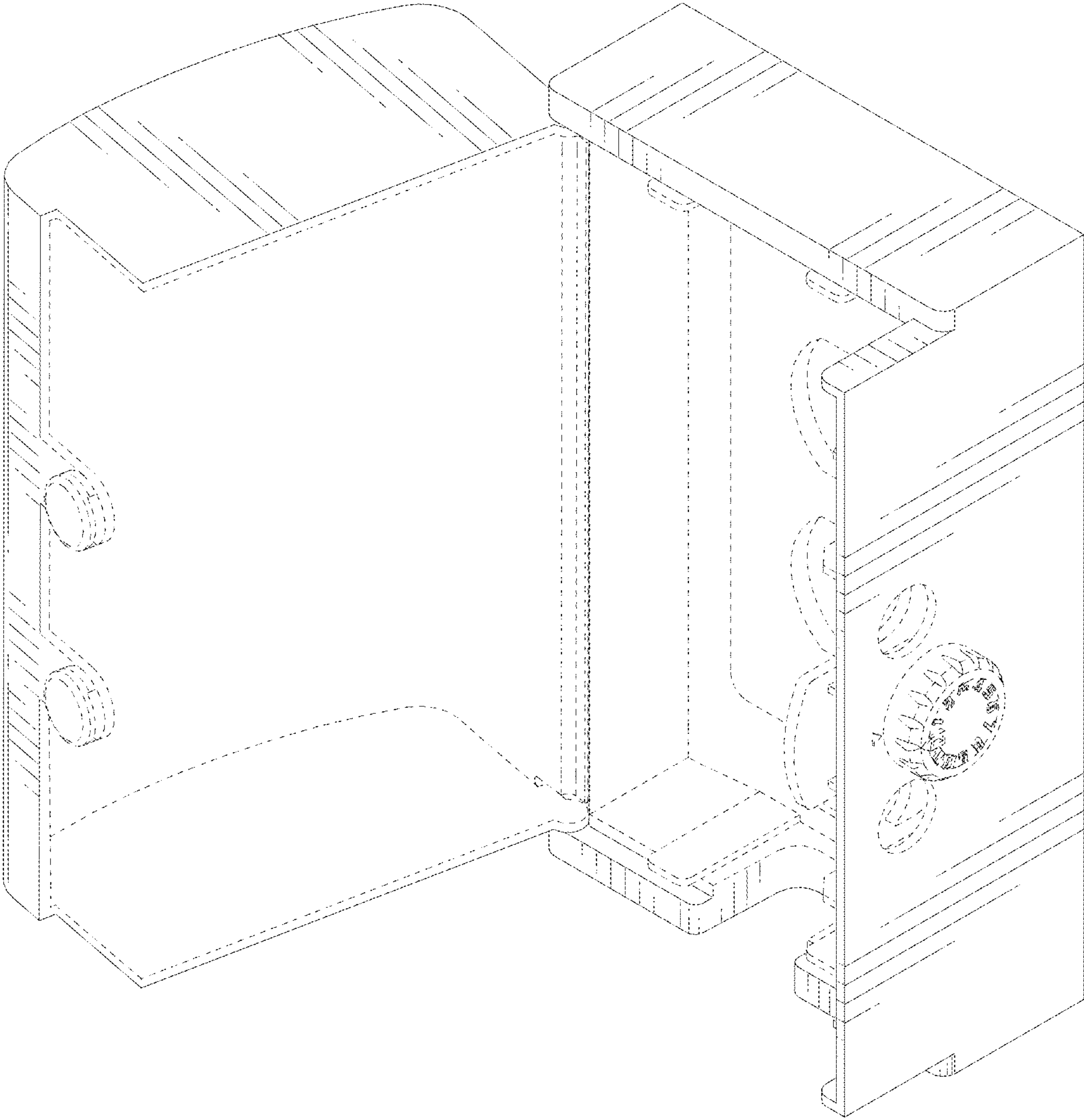


FIG. 12

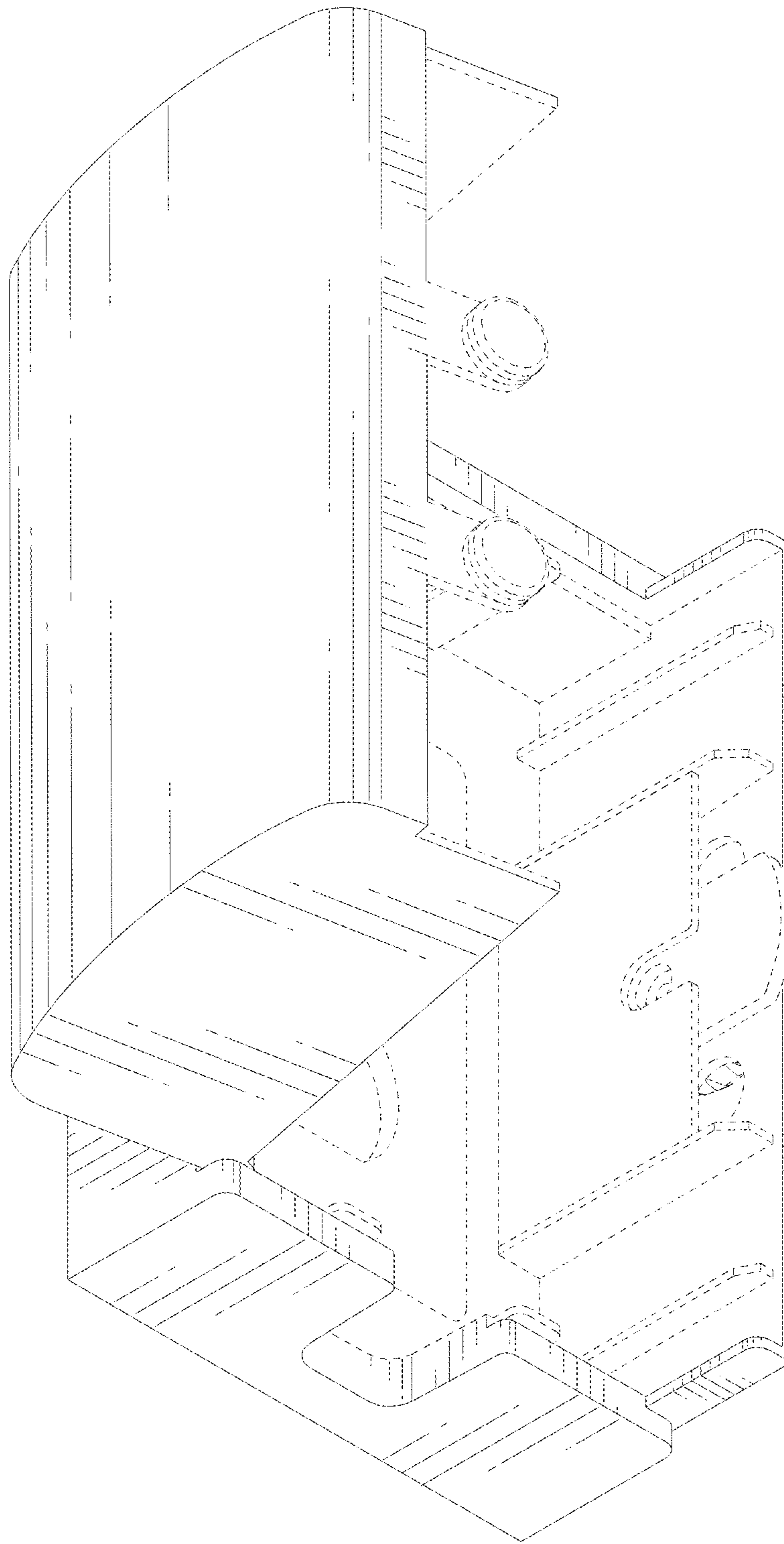


FIG. 13

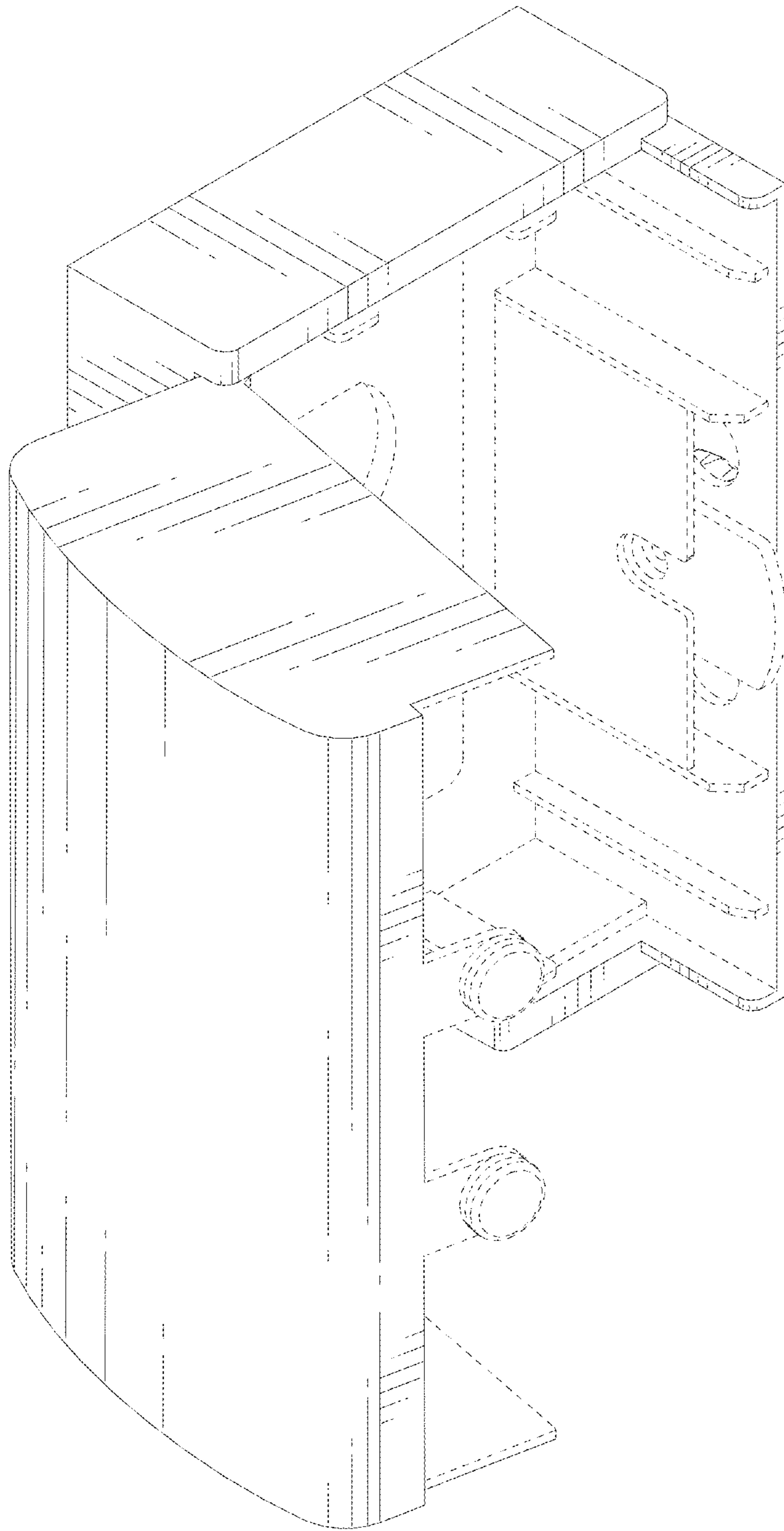


FIG. 14

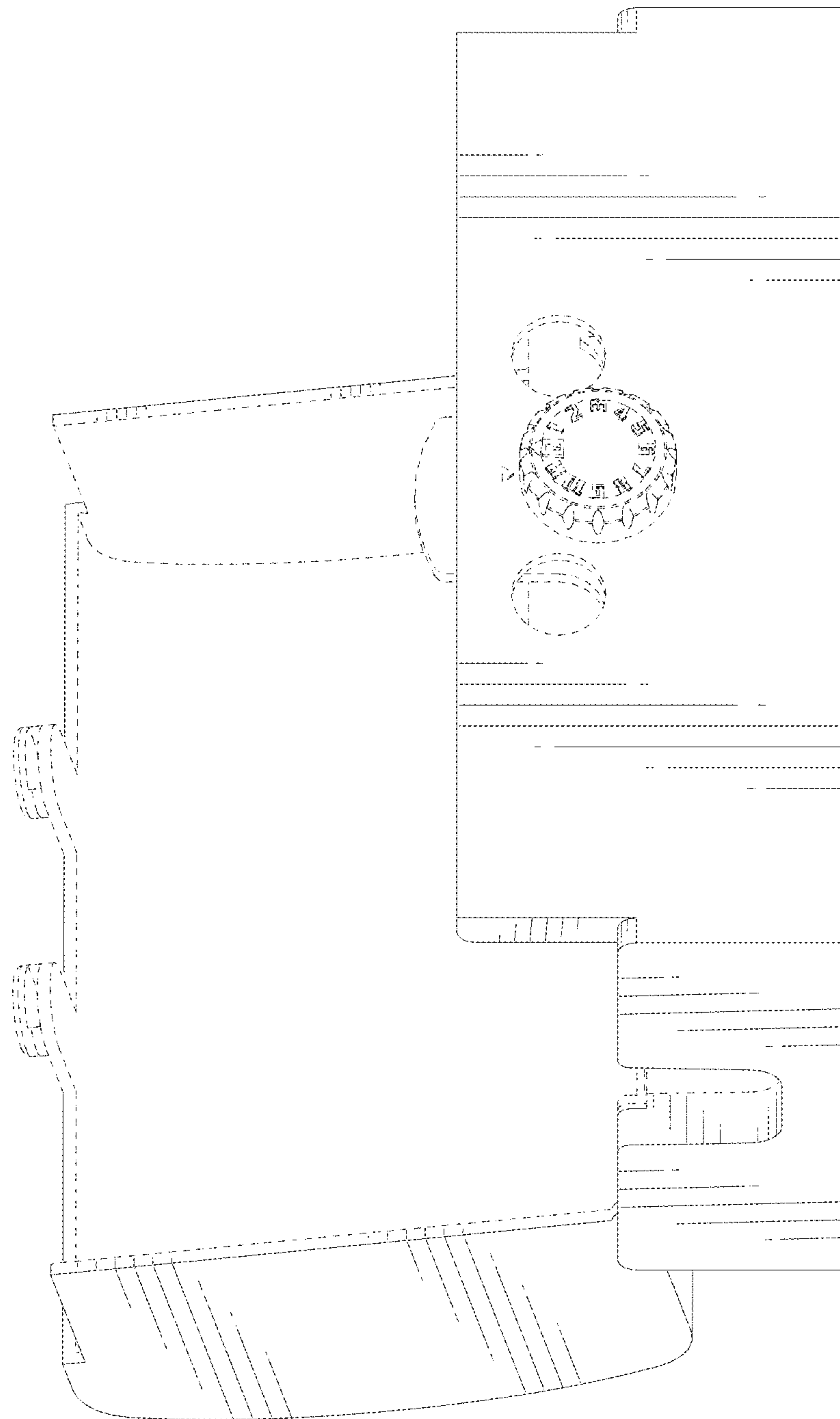


FIG. 15

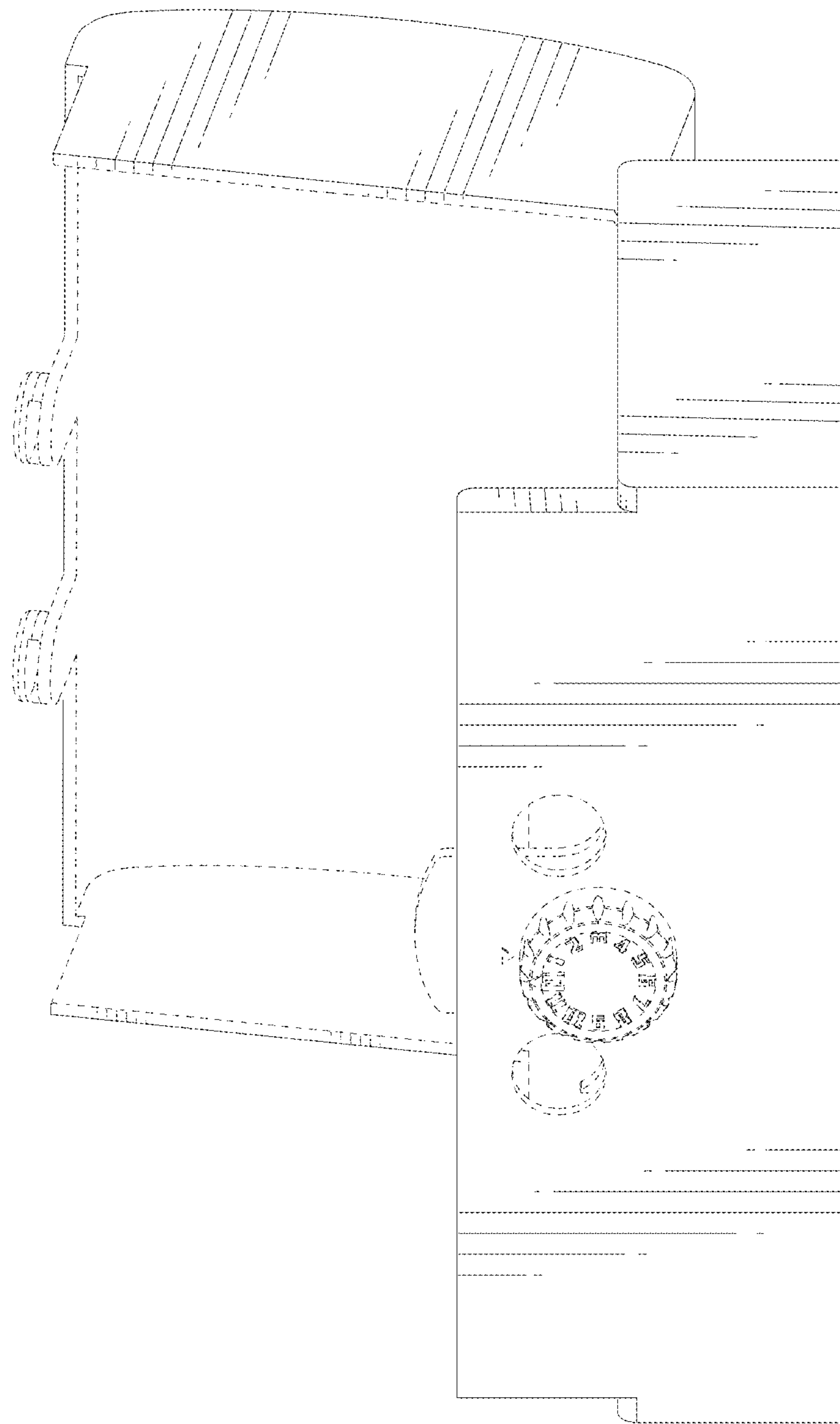


FIG. 16