



US00D913974S

(12) **United States Design Patent** (10) **Patent No.:** **US D913,974 S**
Georgiades et al. (45) **Date of Patent:** **** Mar. 23, 2021**

(54) **PLUG COVER** D400,861 S * 11/1998 Nakamura D13/156
6,398,422 B1 * 6/2002 Szilagyi G02B 6/3849
(71) Applicant: **Molonlave Group LLC**, Long Island
City, NY (US) D593,505 S * 6/2009 Fimbres D13/156
D737,206 S * 8/2015 Lewis, Jr. D13/133
D749,046 S * 2/2016 Curry H01R 13/6581
(72) Inventors: **Marios Georgiades**, Saddle River, NJ
(US); **Athos Georgiades**, Saddle River,
NJ (US) D821,974 S * 7/2018 Ramanna D13/133
D856,178 S * 8/2019 Hou D10/80
D894,128 S * 8/2020 Somanathapura Ramanna
D13/133
(73) Assignee: **Molonlave Group LLC**, Long Island
City, NY (US) 2002/0058433 A1 * 5/2002 O'Malley H01R 13/443
439/148

(**) Term: **15 Years**

* cited by examiner

(21) Appl. No.: **29/696,022**

Primary Examiner — Jennifer O King

(22) Filed: **Jun. 25, 2019**

(74) *Attorney, Agent, or Firm* — Ladas & Parry LLP

(51) **LOC (13) Cl.** **13-03**

(57) **CLAIM**

(52) **U.S. Cl.**
USPC **D13/156**

The ornamental design for a plug cover, as shown and described.

(58) **Field of Classification Search**
USPC D13/107, 110, 120, 133, 134, 146, 148,
D13/149, 155, 156, 157, 184, 199;
D8/396, 356; D23/242; D24/129
CPC H01R 13/447; H01R 13/6277; H01R
2201/26; G02B 6/3887; G02B 6/4471
See application file for complete search history.

DESCRIPTION

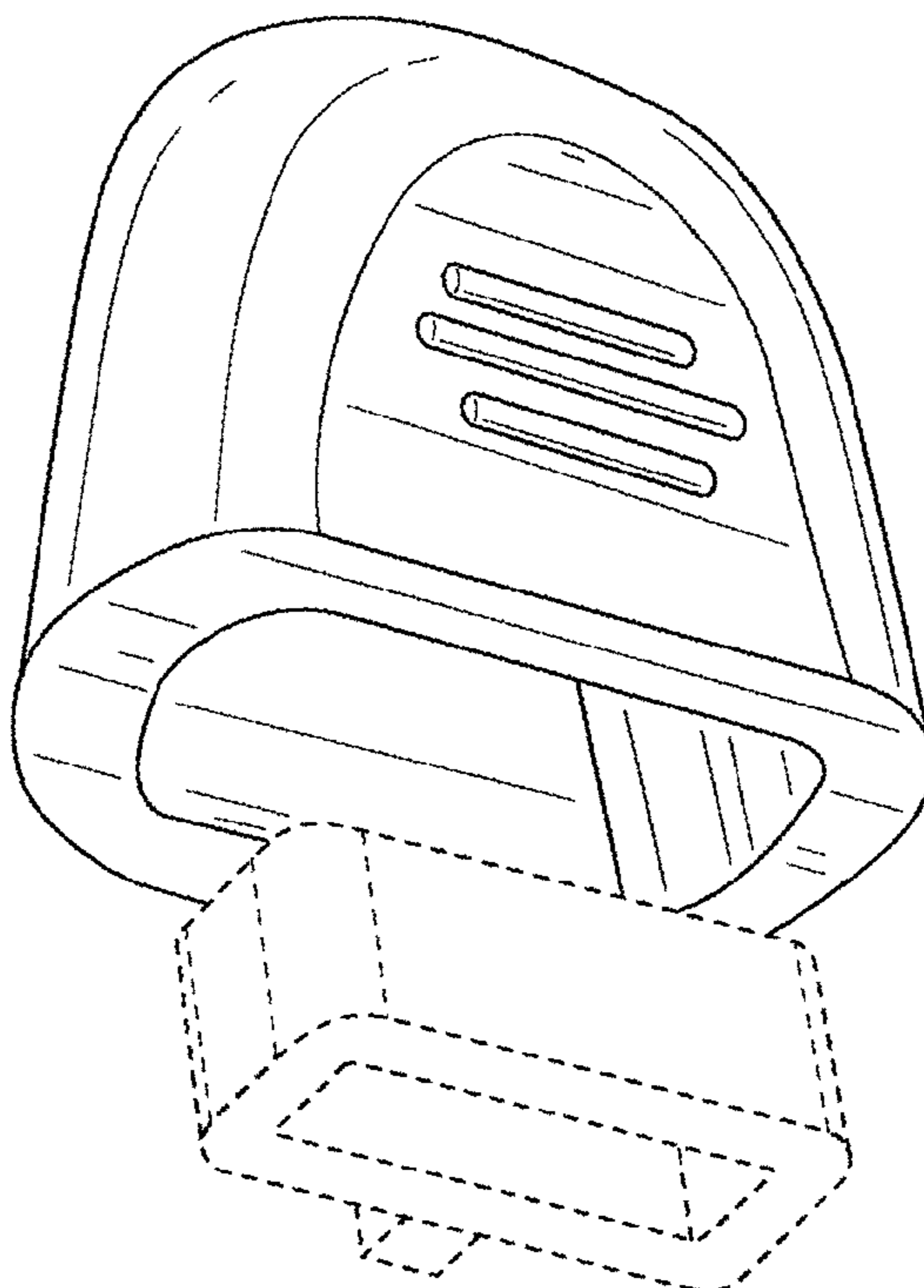
FIG. 1 is a perspective view of a plug cover showing the new design;
FIG. 2 is a top plan view thereof;
FIG. 3 is bottom plan view thereof;
FIG. 4 is a right side elevation view thereof;
FIG. 5 is a left side elevation view thereof;
FIG. 6 is a front elevation view thereof; and,
FIG. 7 is a rear elevation view thereof.
The broken lines show portions of the plug cover that form no part of the claimed design.

(56) **References Cited**

U.S. PATENT DOCUMENTS

4,060,297 A * 11/1977 Marshall H01R 13/20
439/149
D326,642 S * 6/1992 Lowe D13/138.1
5,354,212 A * 10/1994 Bartle H01R 13/562
439/459

1 Claim, 3 Drawing Sheets



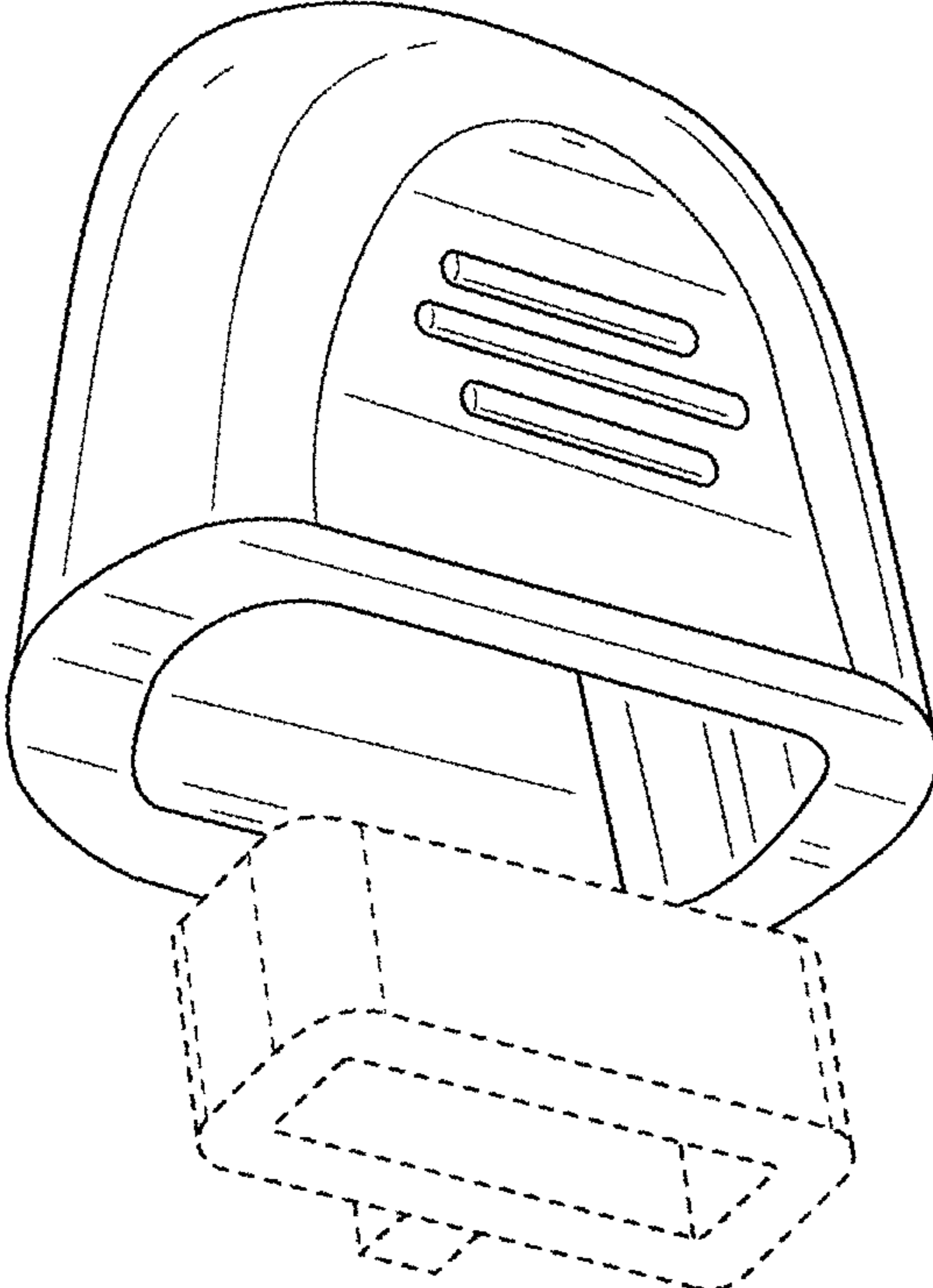


FIG. 1

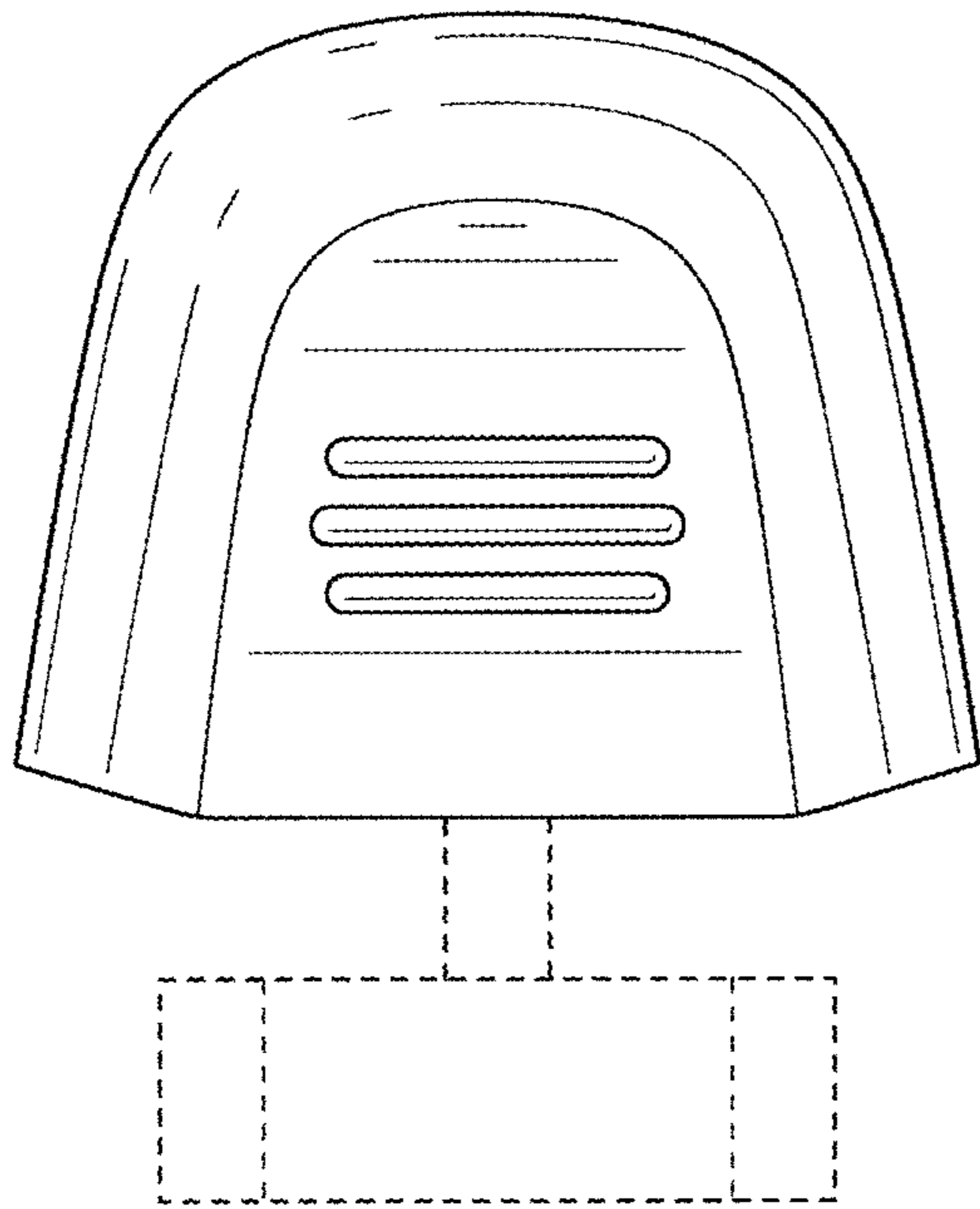


FIG. 2

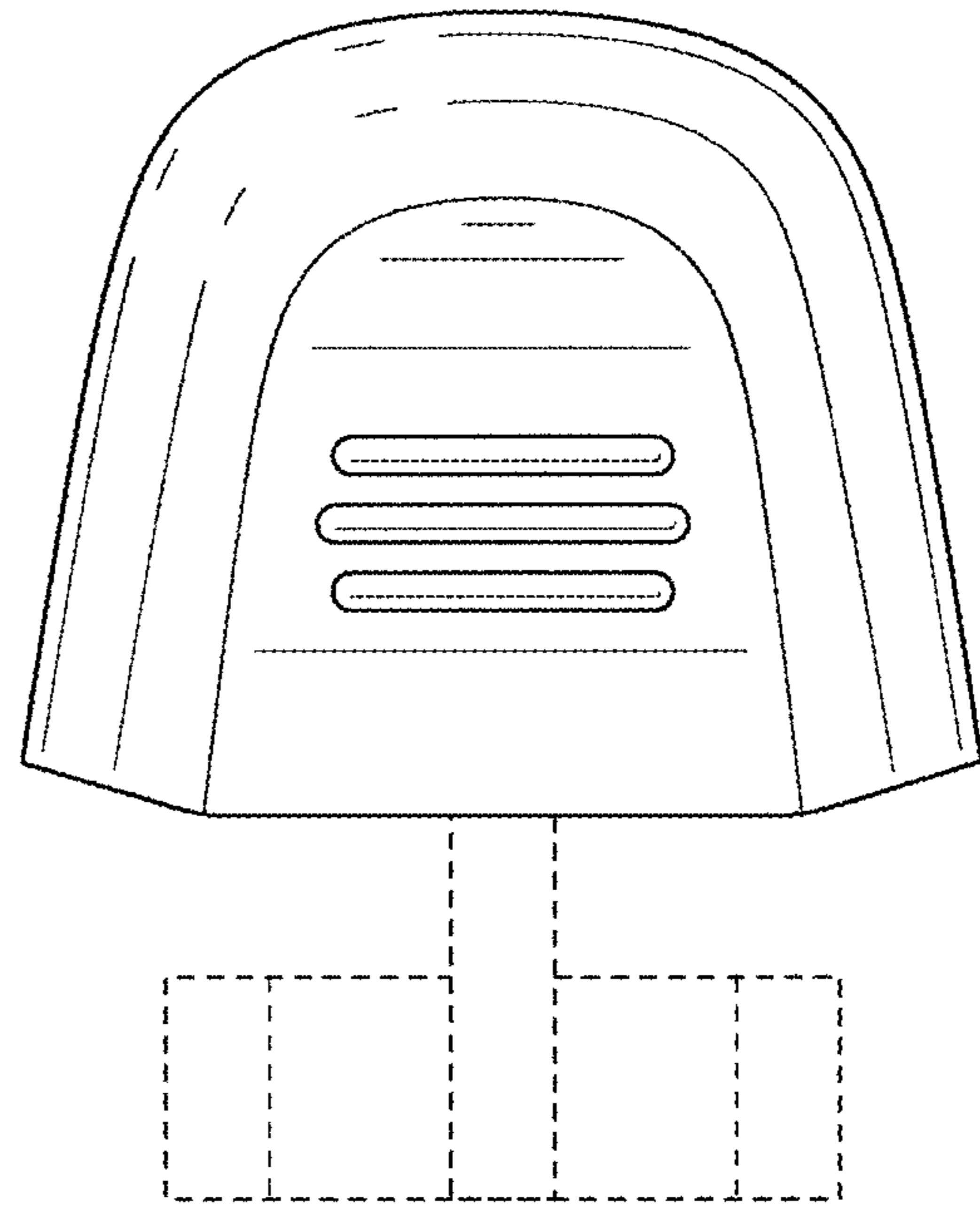


FIG. 3

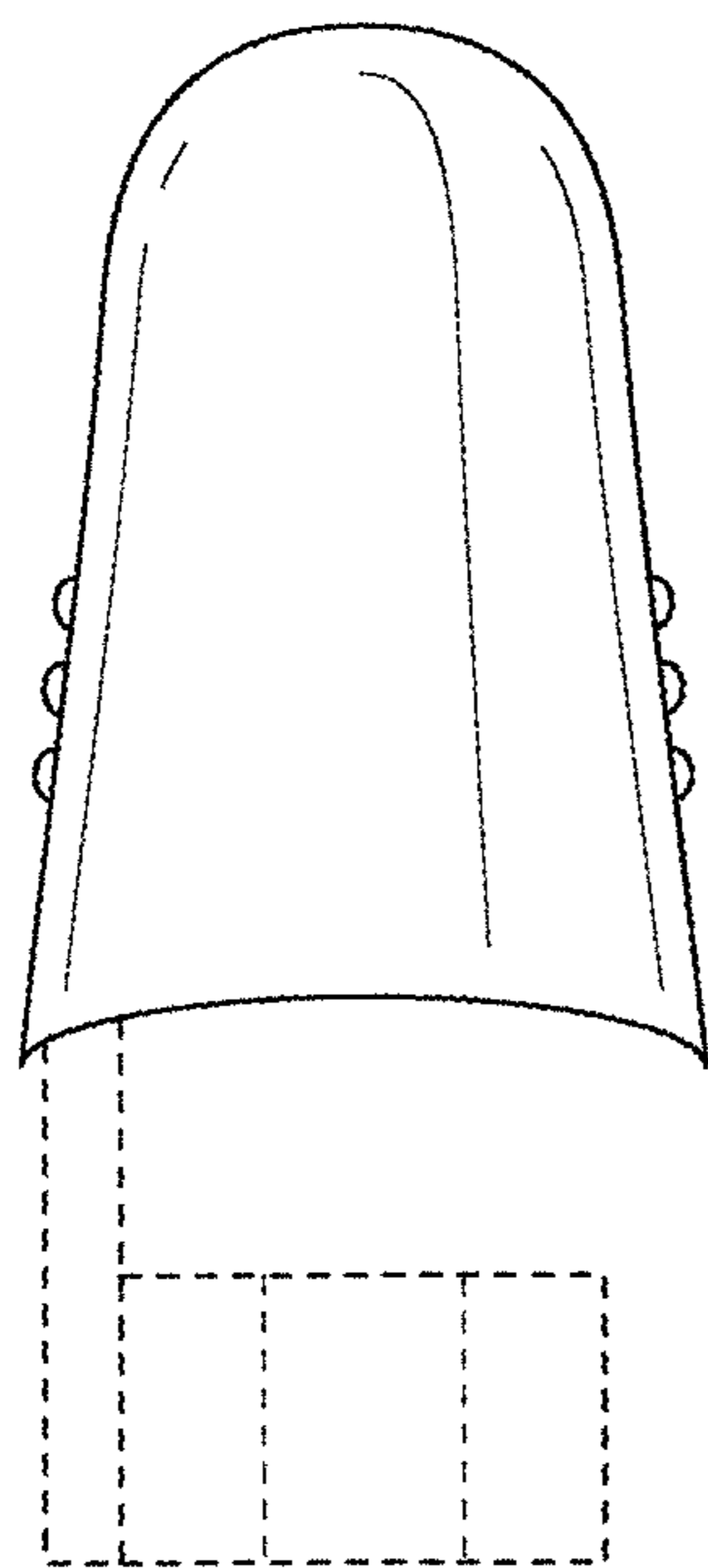


FIG. 4

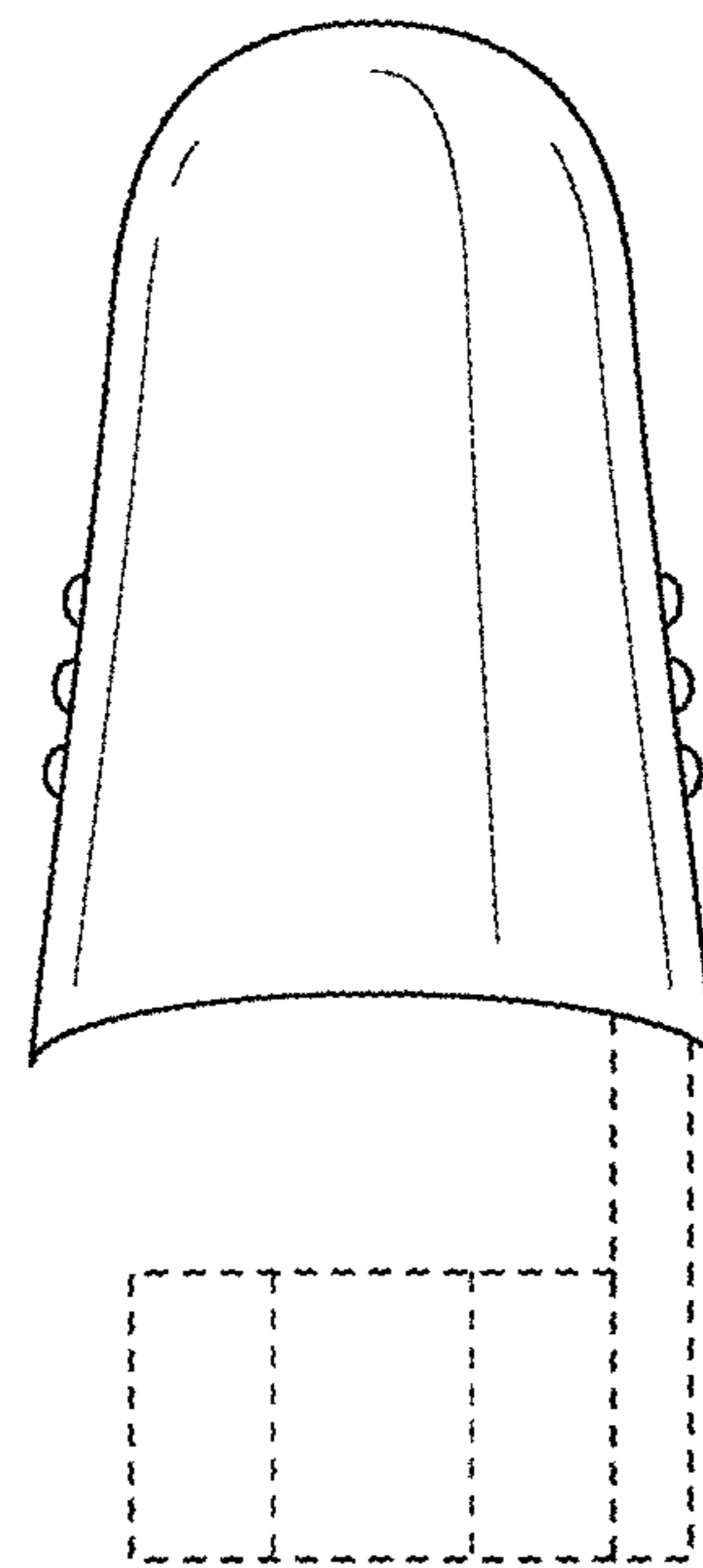


FIG. 5

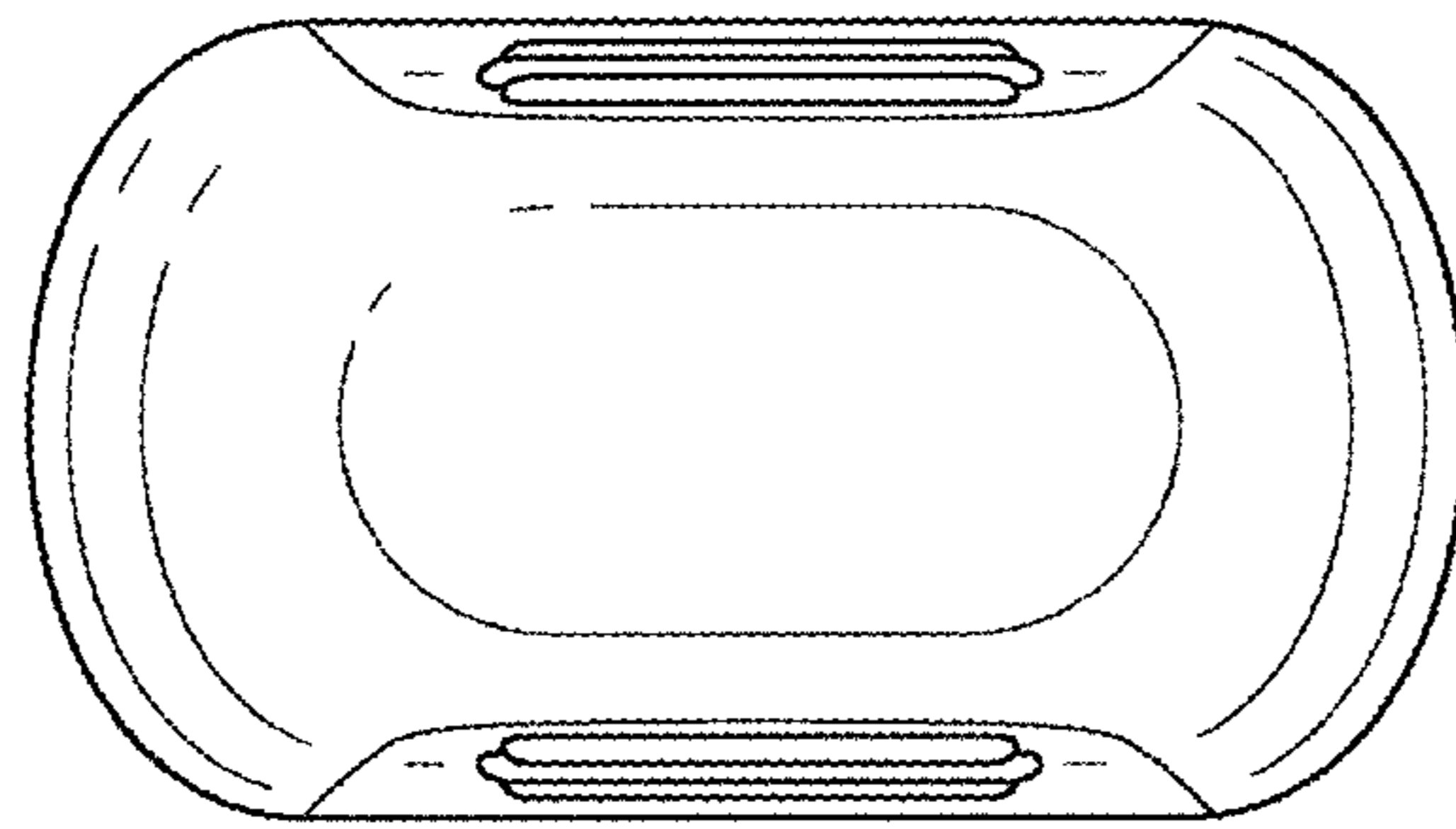


FIG. 6

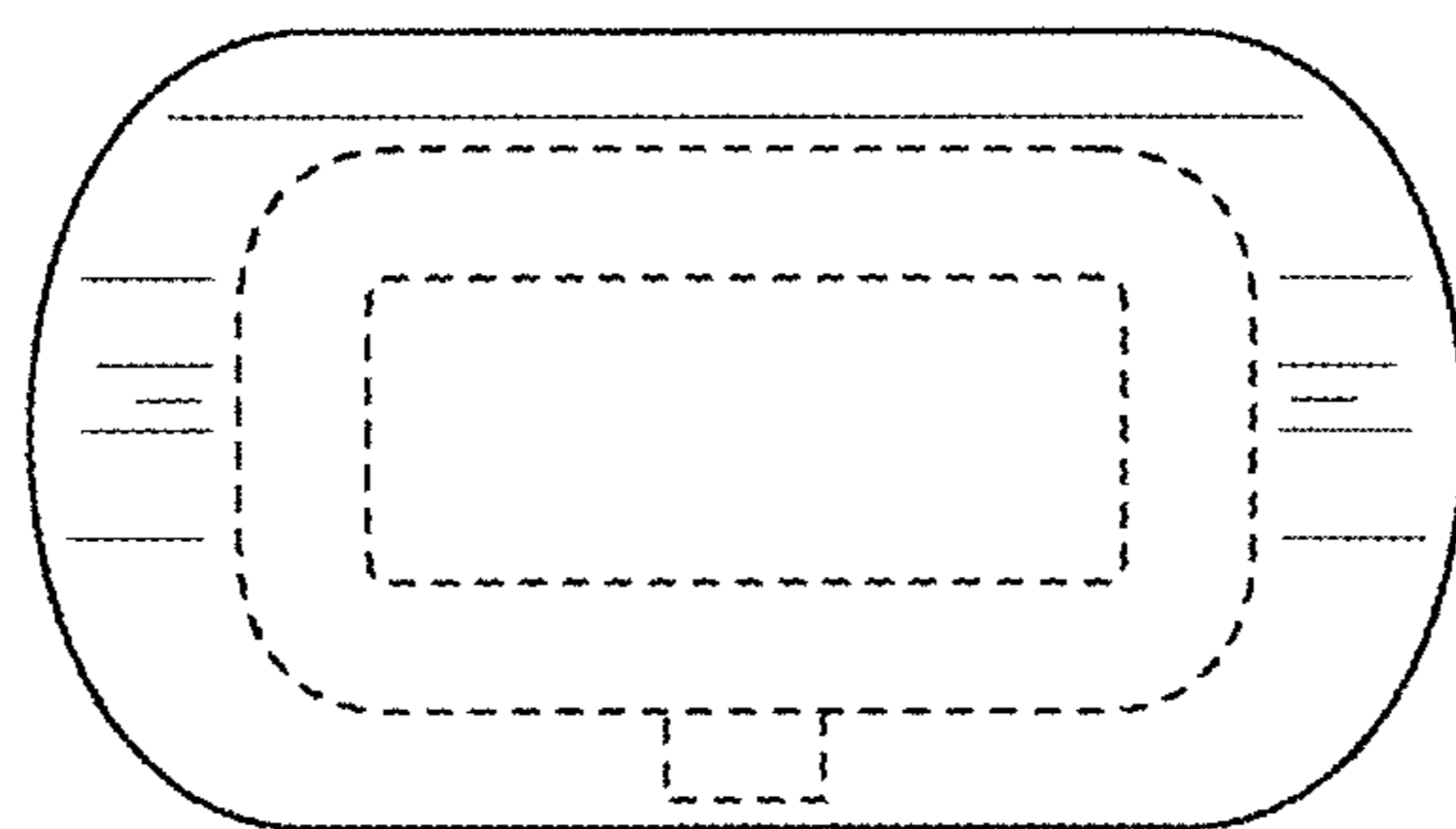


FIG. 7