



US00D913973S

(12) **United States Design Patent**
Georgiades et al.

(10) **Patent No.:** **US D913,973 S**

(45) **Date of Patent:** **** Mar. 23, 2021**

- (54) **PLUG COVER**
- (71) Applicant: **Molonlave Group LLC**, Long Island City, NY (US)
- (72) Inventors: **Marios Georgiades**, Saddle River, NJ (US); **Athos Georgiades**, Saddle River, NJ (US)
- (73) Assignee: **Molonlave Group LLC**, Long Island City, NY (US)

6,398,422 B1 *	6/2002	Szilagyi	G02B 6/3849 385/76
D593,505 S *	6/2009	Fimbres	D13/156
D737,206 S *	8/2015	Lewis, Jr.	D13/133
D749,046 S *	2/2016	Curry	H01R 13/6581 D13/133
D821,974 S *	7/2018	Ramanna	D13/133
D856,178 S *	8/2019	Hou	D10/80
D894,128 S *	8/2020	Somanathapura Ramanna	D13/133
2002/0058433 A1 *	5/2002	O'Malley	H01R 13/443 439/148

(**) Term: **15 Years**

(21) Appl. No.: **29/696,019**

(22) Filed: **Jun. 25, 2019**

(51) **LOC (13) Cl.** **13-03**

(52) **U.S. Cl.**
USPC **D13/156**

(58) **Field of Classification Search**
USPC D13/107, 110, 120, 133, 134, 146, 148,
D13/149, 155, 156, 157, 184, 199;
D8/396, 356; D23/242; D24/129
CPC H01R 13/447; H01R 13/6277; H01R
2201/26; G02B 6/3887; G02B 6/4471
See application file for complete search history.

(56) **References Cited**

U.S. PATENT DOCUMENTS

4,060,297 A *	11/1977	Marshall	H01R 13/20 439/149
D326,642 S *	6/1992	Lowe	D13/138.1
5,354,212 A *	10/1994	Bartle	H01R 13/562 439/459
D400,861 S *	11/1998	Nakamura	D13/156

* cited by examiner

Primary Examiner — Jennifer O King

(74) *Attorney, Agent, or Firm* — Ladas & Parry LLP

(57) **CLAIM**

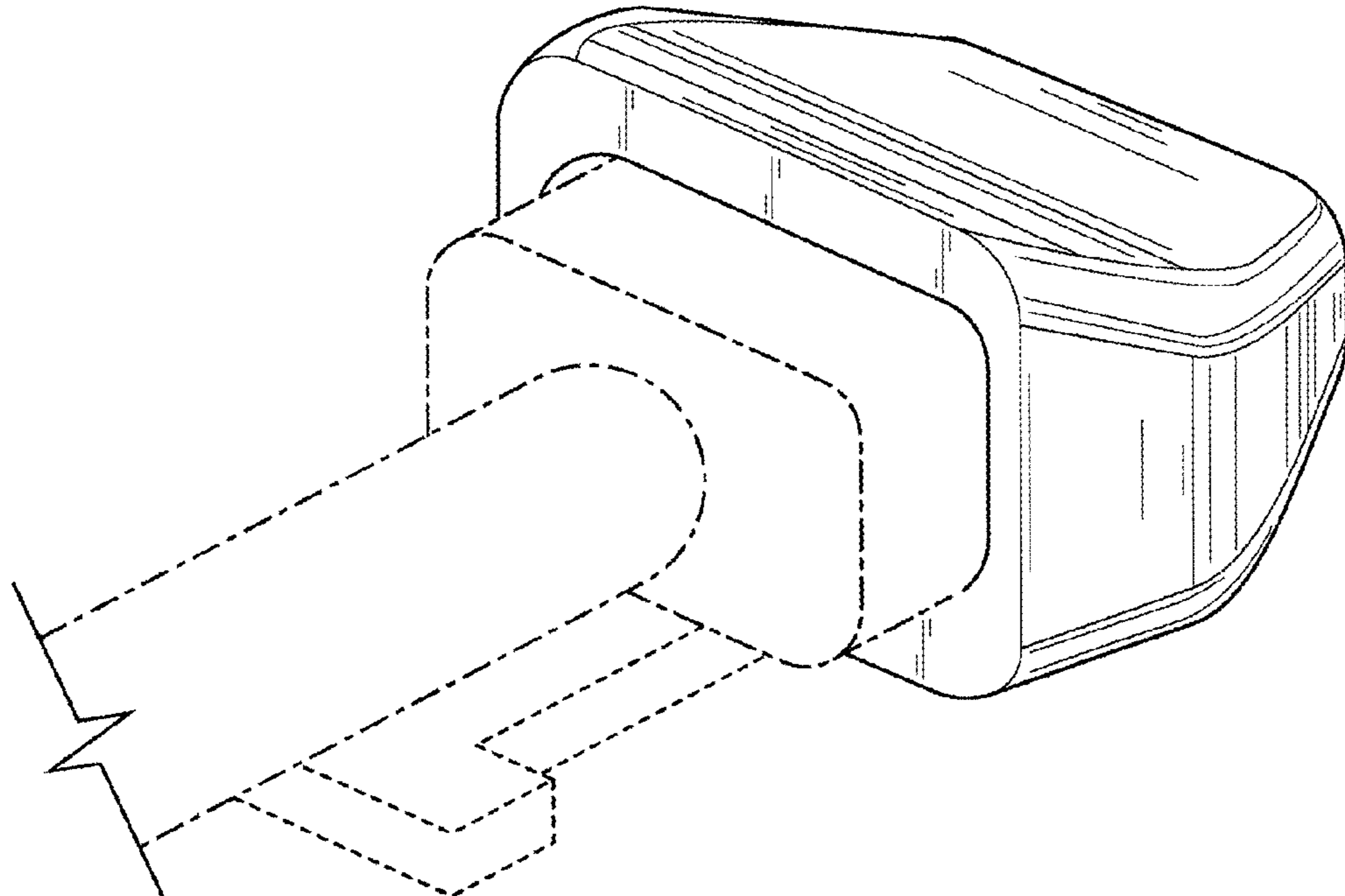
The ornamental design for a plug cover, as shown and described.

DESCRIPTION

FIG. 1 is a perspective view of a plug cover showing the new design in use;
 FIG. 2 is a perspective view of a plug cover showing the new design;
 FIG. 3 is a top plan view thereof;
 FIG. 4 is bottom plan view thereof;
 FIG. 5 is a right side elevation view thereof;
 FIG. 6 is a left side elevation view thereof;
 FIG. 7 is a front elevation view thereof; and,
 FIG. 8 is a rear elevation view thereof.

The dot-dash broken lines in FIG. 1 show a mating jack and form no part of the claimed design. The remaining broken lines show portions of the plug cover and form no part of the claimed design.

1 Claim, 8 Drawing Sheets



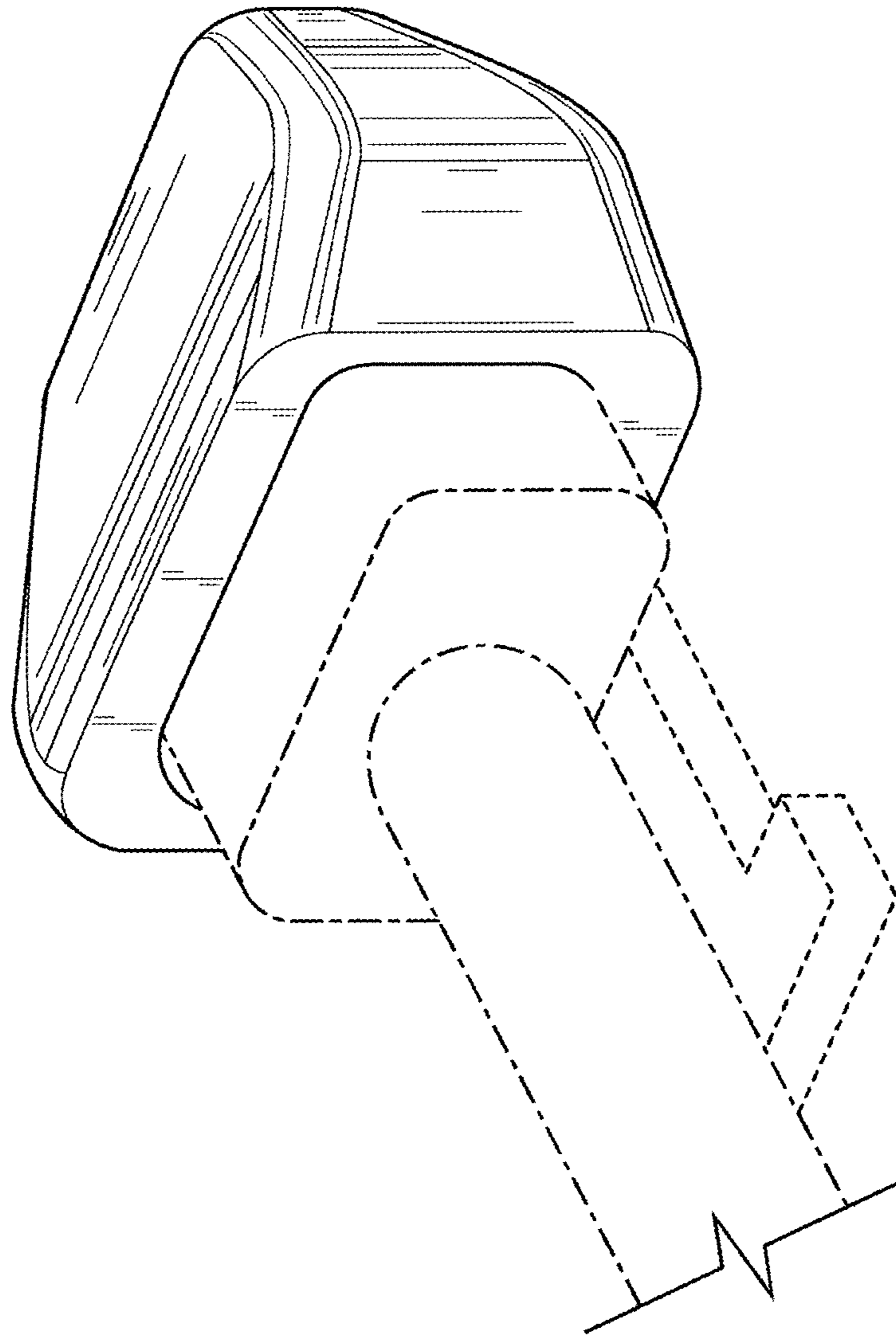


FIG. 1

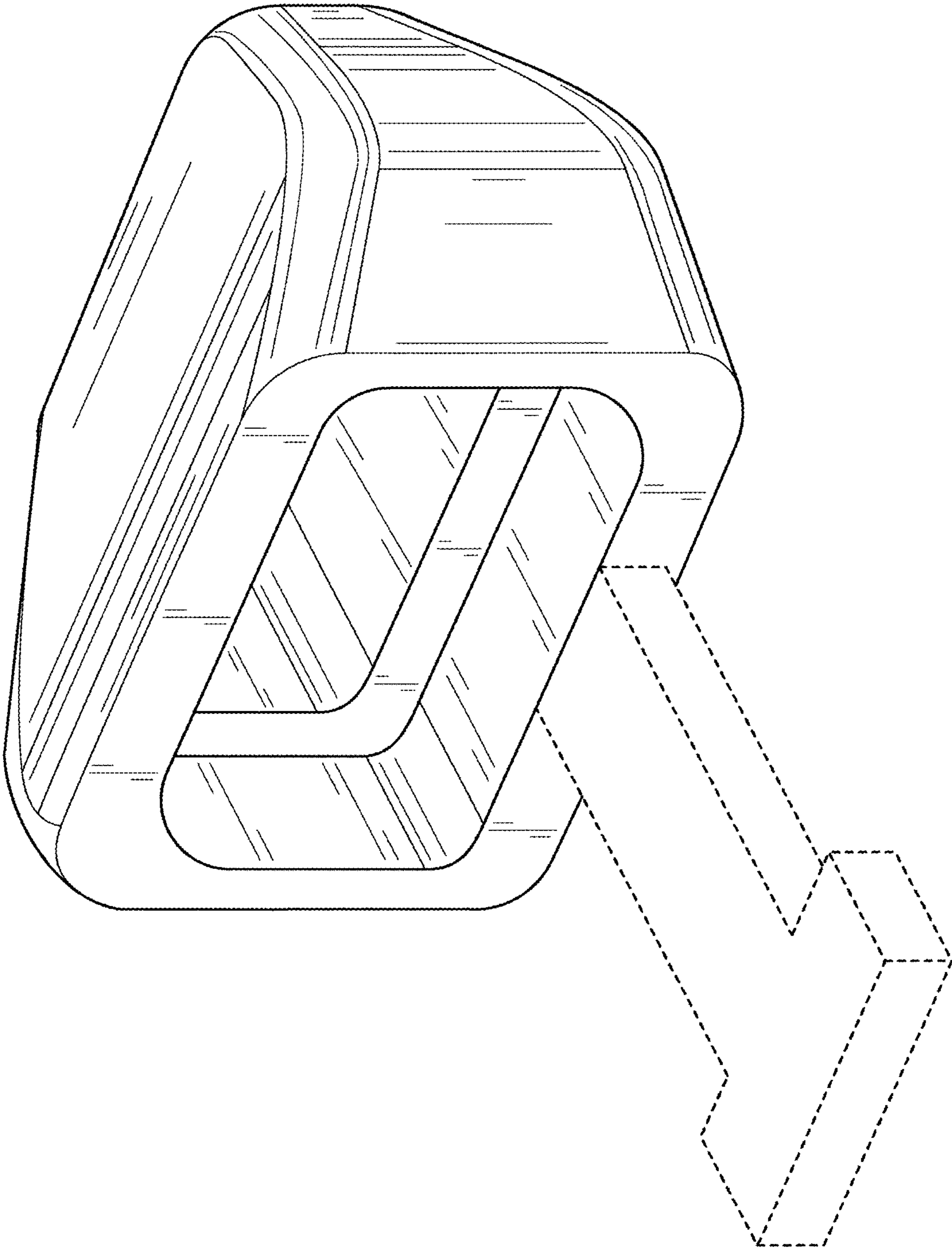


FIG. 2

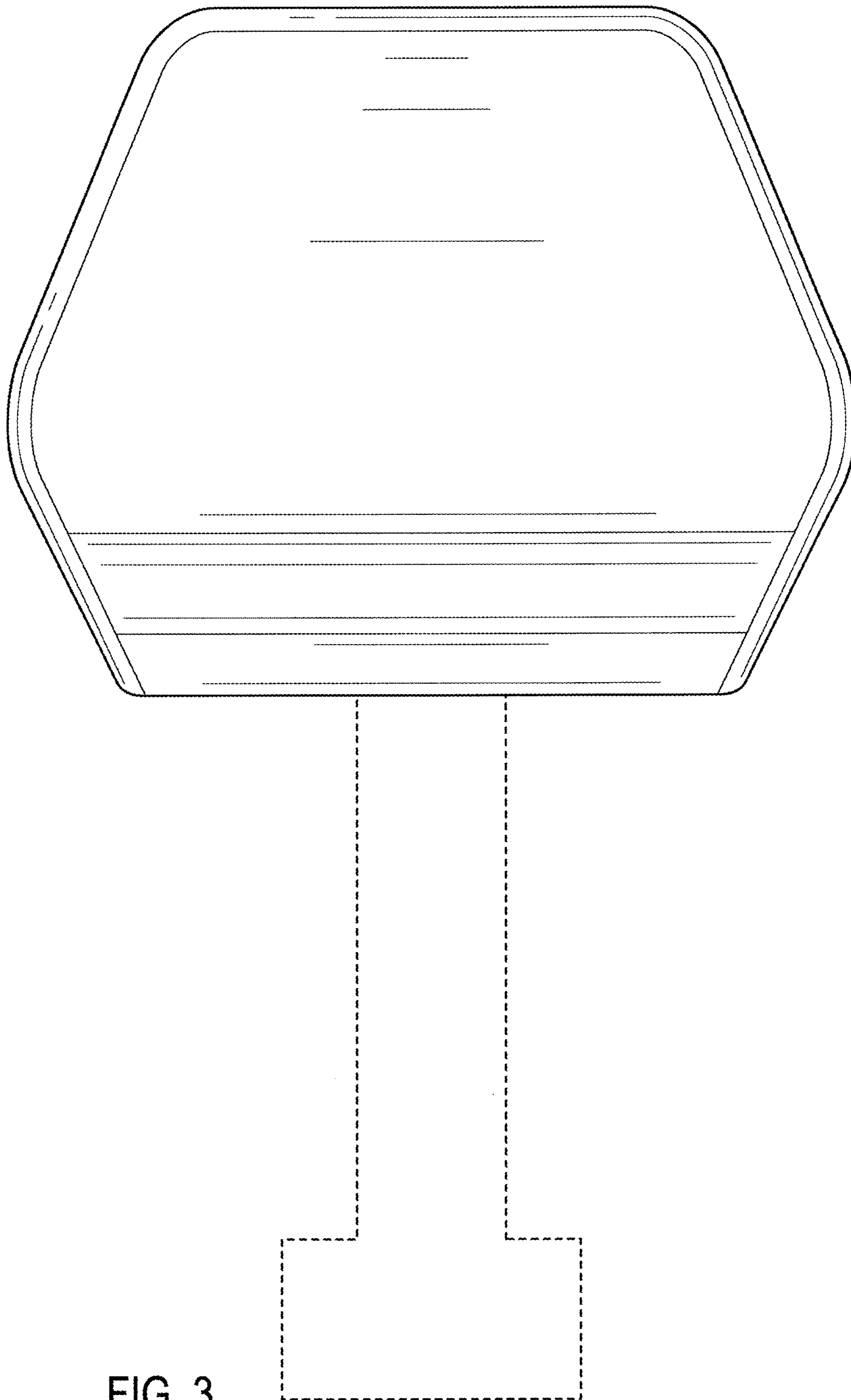


FIG. 3

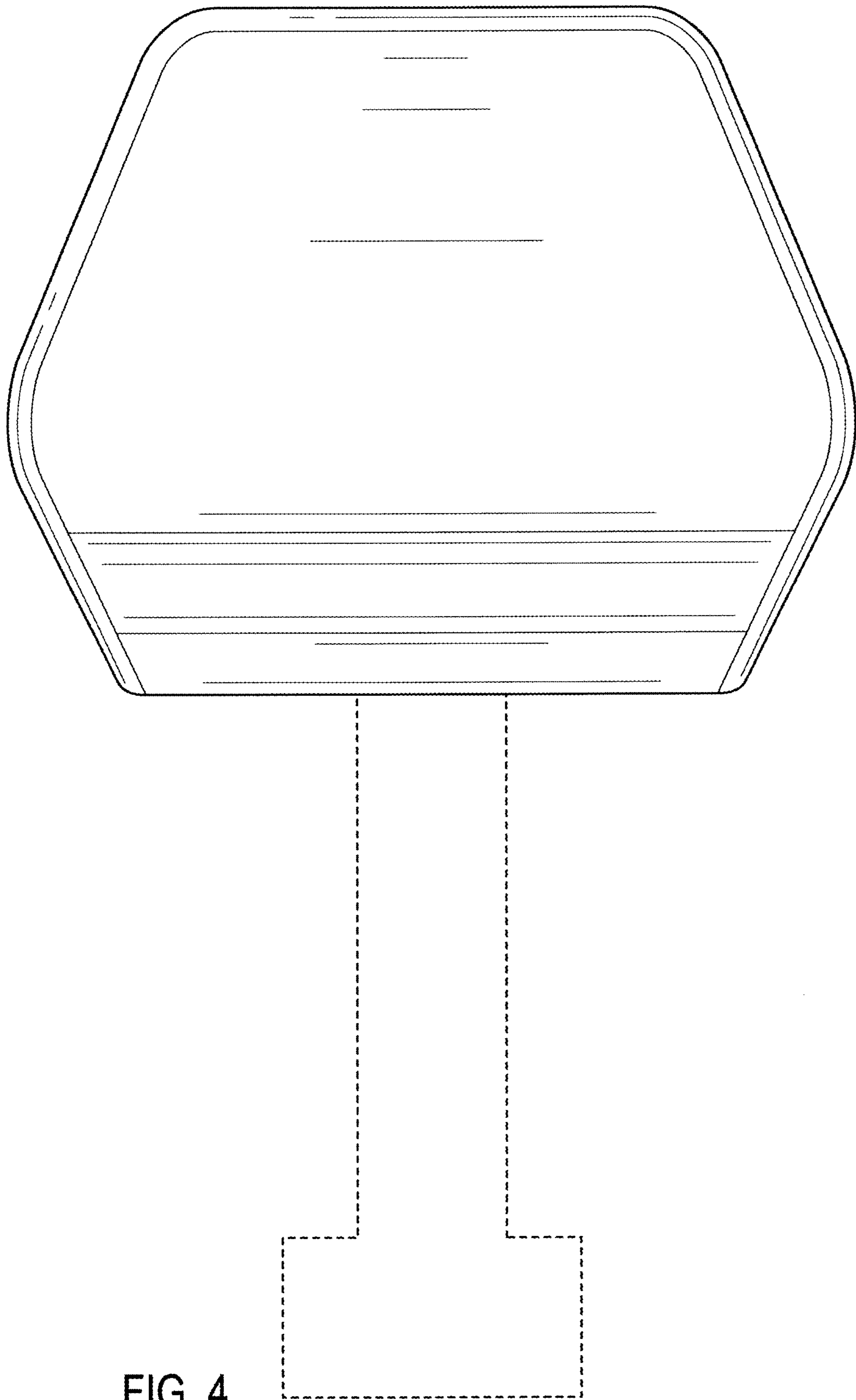


FIG. 4

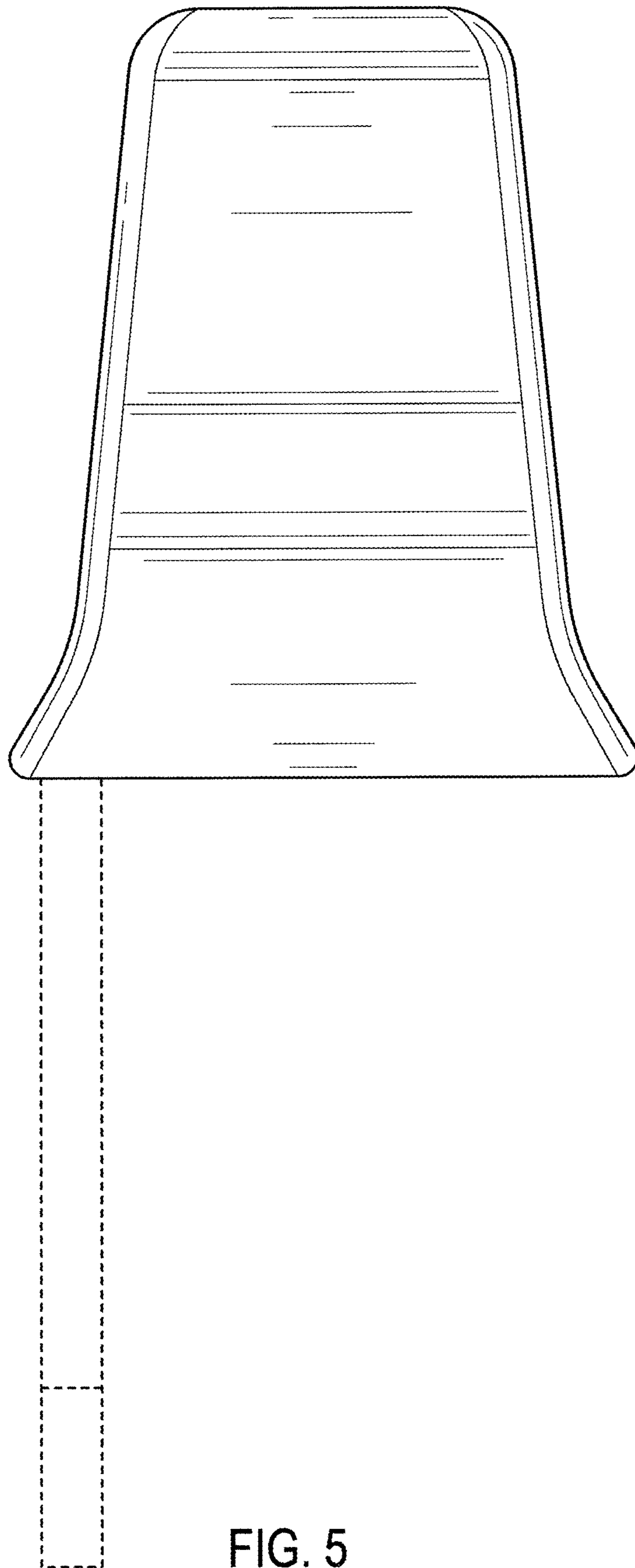


FIG. 5

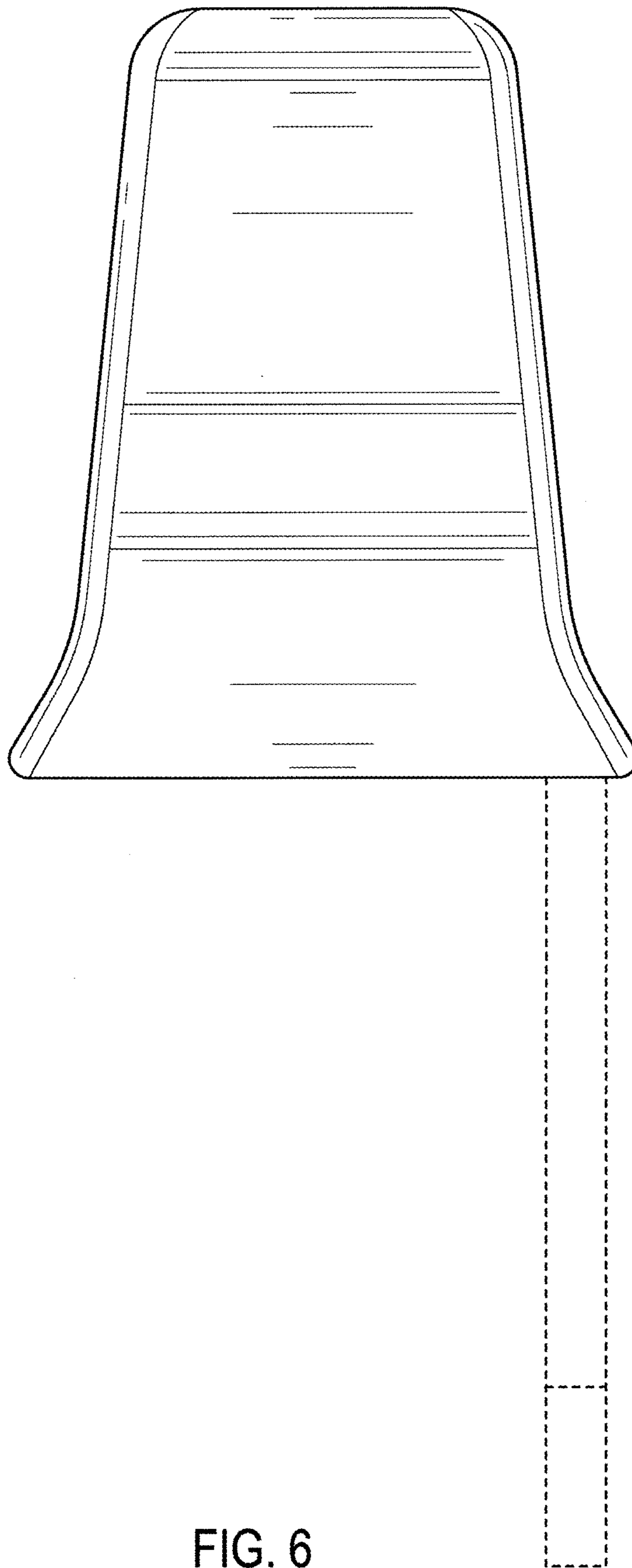


FIG. 6

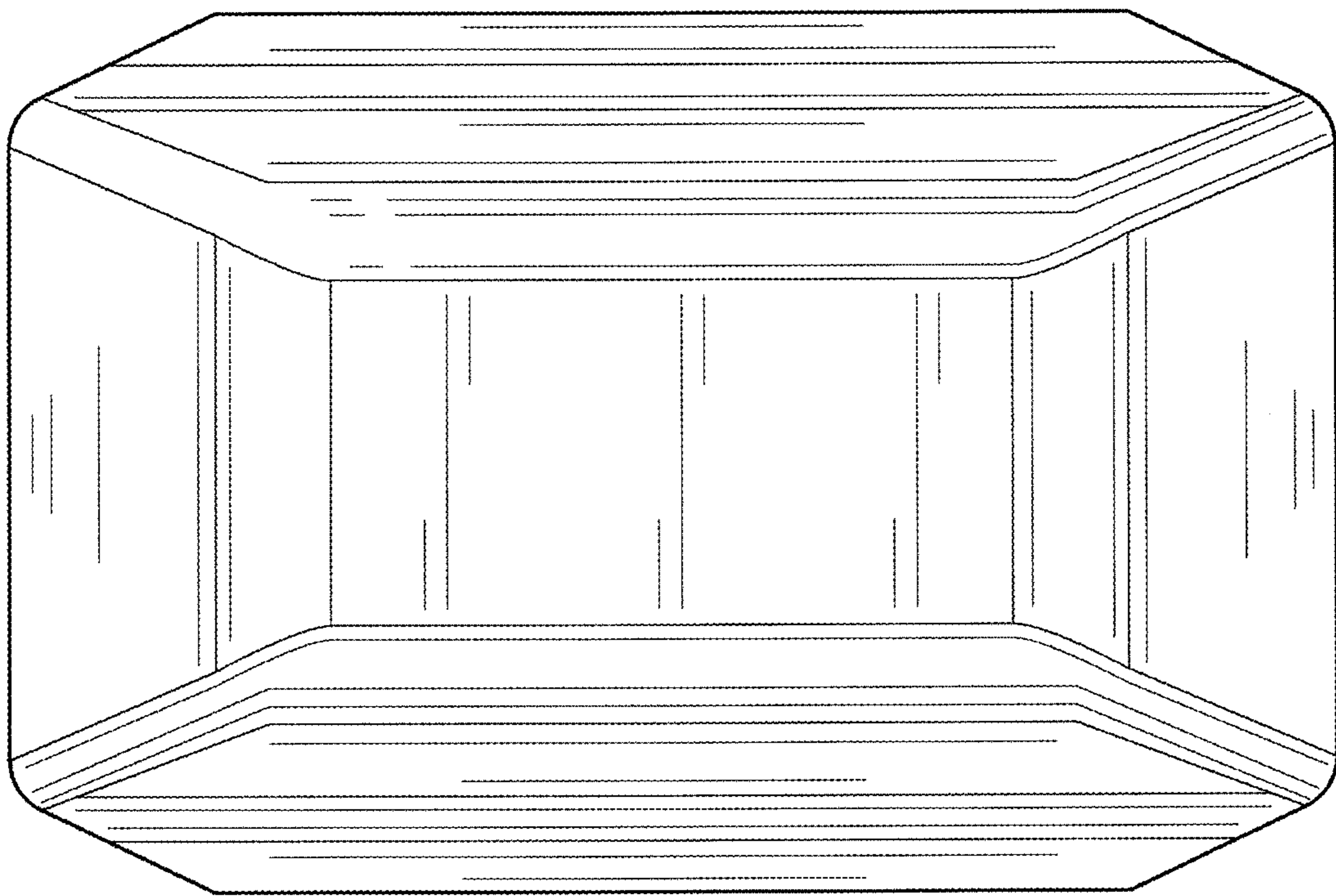


FIG. 7

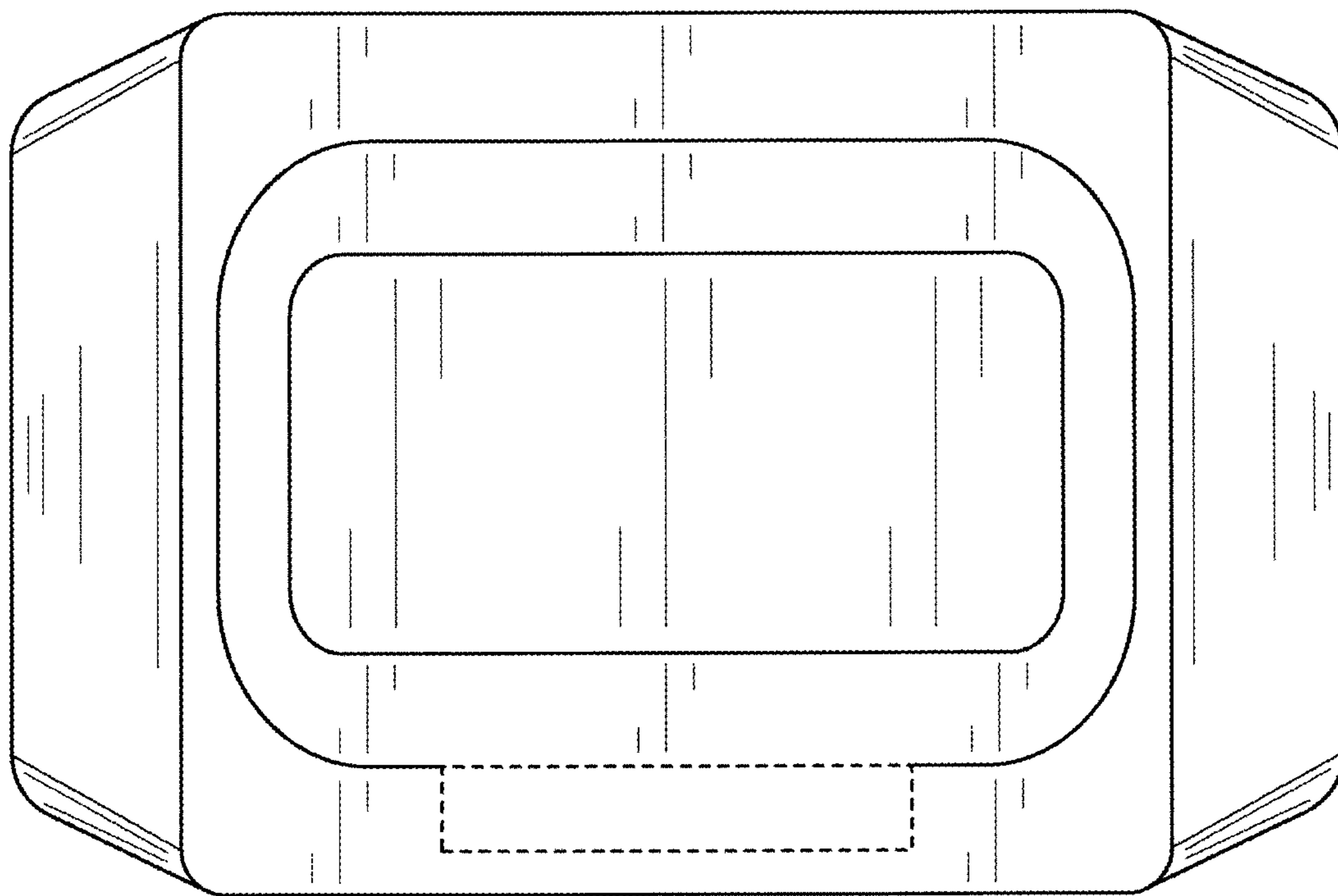


FIG. 8