



US00D913972S

(12) **United States Design Patent**
Lis et al.

(10) **Patent No.:** **US D913,972 S**
(45) **Date of Patent:** **** Mar. 23, 2021**

(54) **STRAIN RELIEF DEVICE**
(71) Applicant: **Corning Research & Development Corporation**, Corning, NY (US)
(72) Inventors: **Walentin Lis**, Berlin (DE); **Michal Ruda**, Brzeziny (PL)
(73) Assignee: **Corning Research & Development Corporation**, Corning, NY (US)

(**) Term: **15 Years**
(21) Appl. No.: **29/690,433**

(22) Filed: **May 8, 2019**
(51) **LOC (13) Cl.** **13-03**
(52) **U.S. Cl.**
USPC **D13/156**
(58) **Field of Classification Search**
USPC D13/107, 110, 120, 133, 134, 146, 148,
D13/149, 155, 156, 157, 184, 199;
D8/396, 356; D23/242; D24/129
CPC H01R 13/447; H01R 13/6277; H01R
2201/26; G02B 6/3887; G02B 6/4471
See application file for complete search history.

(56) **References Cited**
U.S. PATENT DOCUMENTS
D740,761 S * 10/2015 Cullins D13/157
D783,618 S * 4/2017 Wu D14/433
9,739,954 B1 * 8/2017 Jones G02B 6/3869
D860,142 S * 9/2019 Childers G02B 6/3831
D13/156
D865,679 S * 11/2019 Wang D13/151

D868,704 S * 12/2019 DeJong D13/156
D876,354 S * 2/2020 Wang D13/120
D883,231 S * 5/2020 DeJong D13/156
D889,414 S * 7/2020 Li D13/133
D892,742 S * 8/2020 Hsu D13/133
2011/0069931 A1 * 3/2011 Cote G02B 6/4477
385/100
2015/0131945 A1 * 5/2015 Scopic G02B 6/3887
385/87

* cited by examiner
Primary Examiner — Jennifer O King
(74) *Attorney, Agent, or Firm* — Grant A. Gildehaus

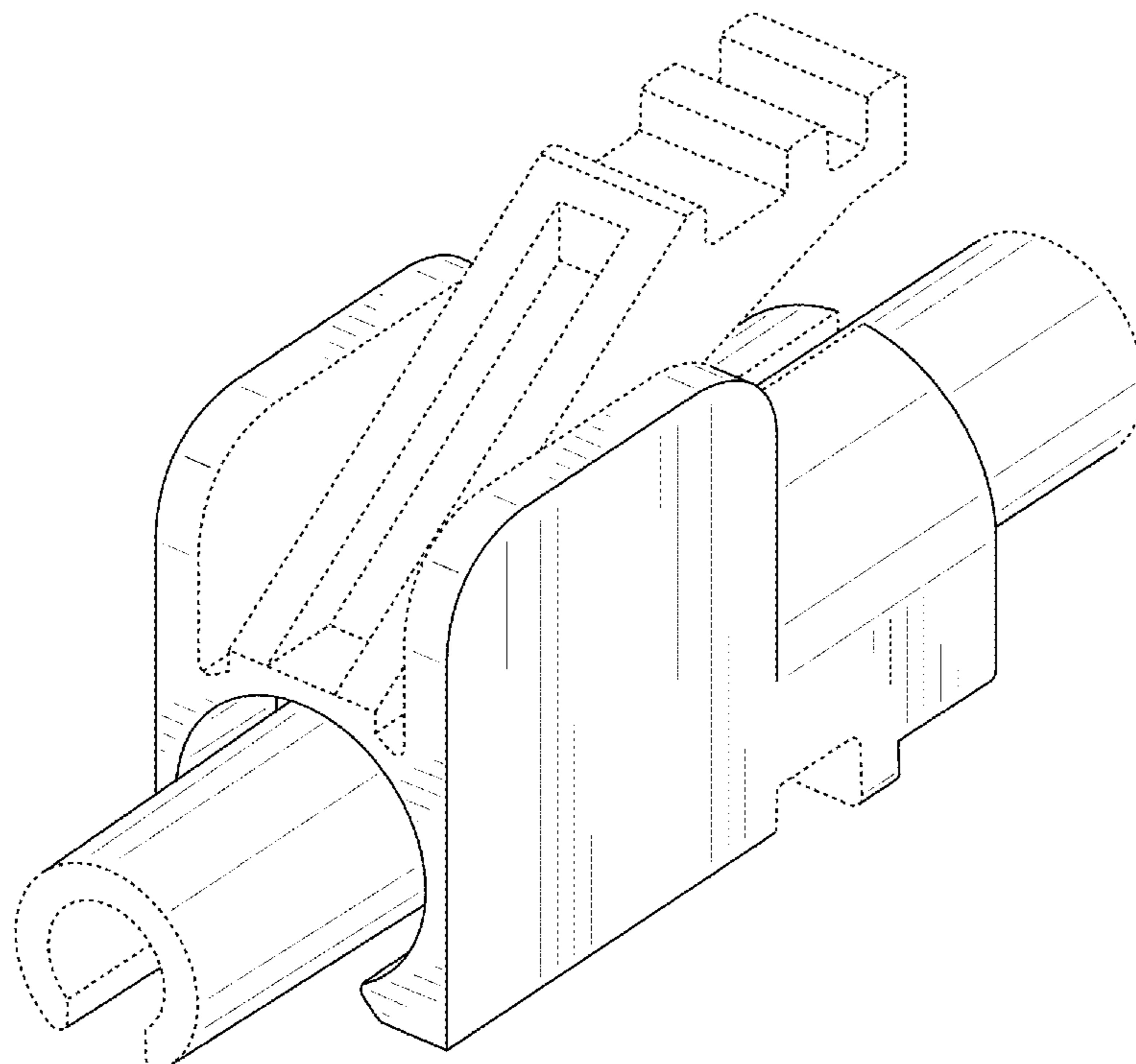
(57) **CLAIM**

The ornamental design for a strain relief device, as shown and described.

DESCRIPTION

FIG. 1 is a top, front, right perspective view of the strain relief device according to the present invention;
FIG. 2 is a top, back, left perspective view thereof;
FIG. 3 is a bottom, back, left perspective view thereof;
FIG. 4 is a front view thereof;
FIG. 5 is a back view thereof;
FIG. 6 is a left-side view thereof;
FIG. 7 is a right-side view thereof;
FIG. 8 is a top view thereof; and,
FIG. 9 is a bottom view thereof.
The dashed broken lines depict portions of the strain relief that form no part of the claimed design.

1 Claim, 9 Drawing Sheets



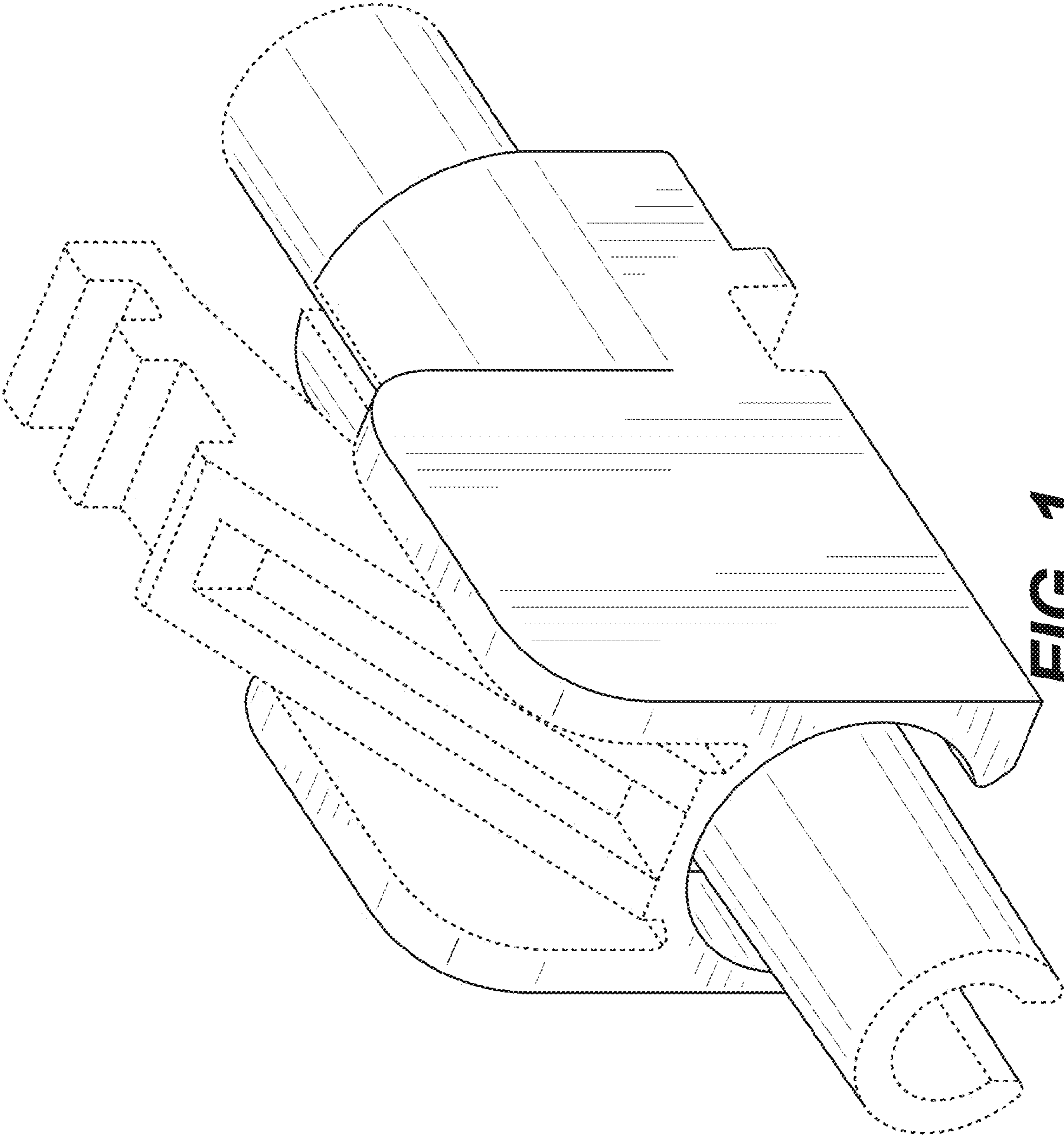


FIG. 1

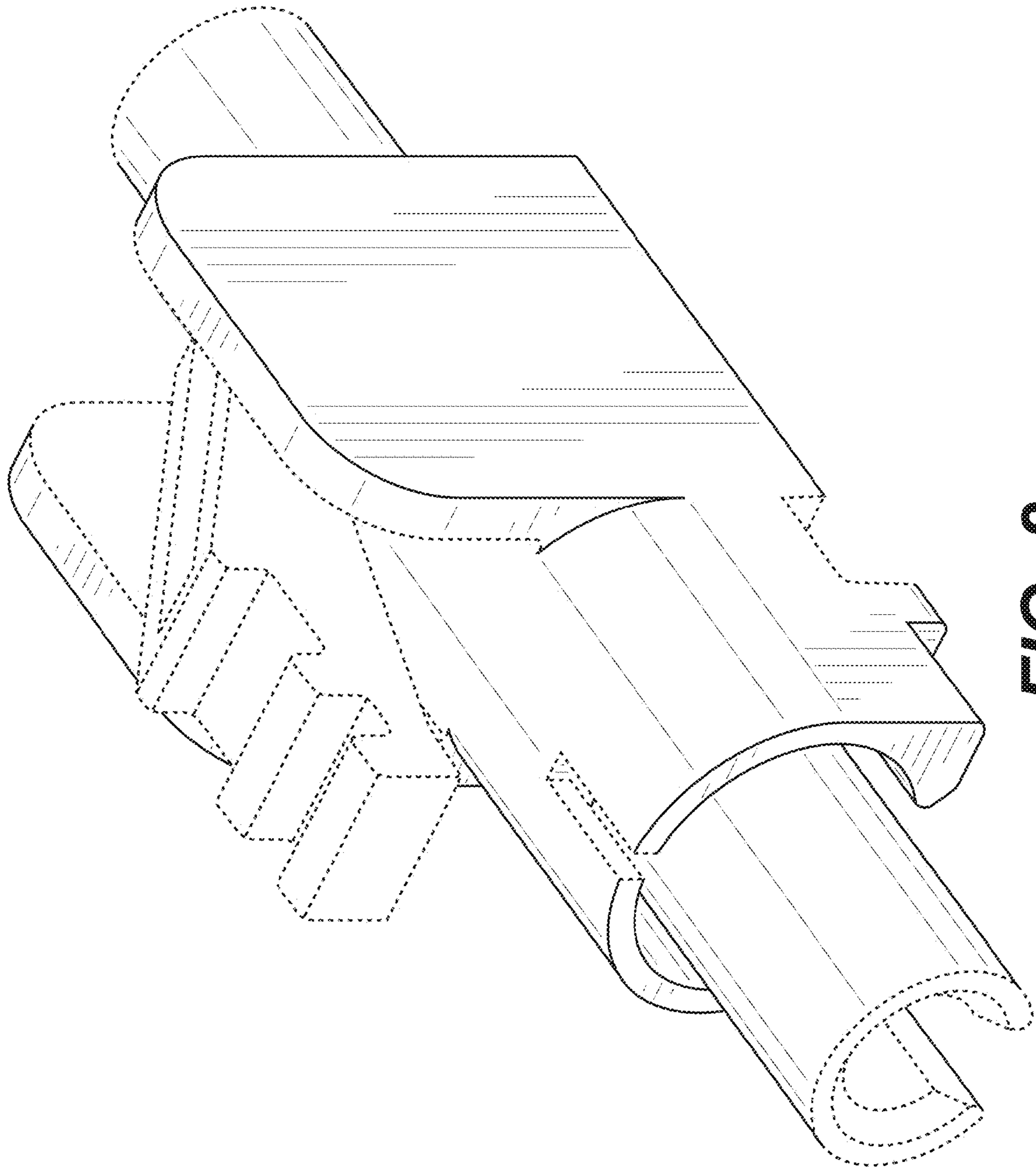


FIG. 2

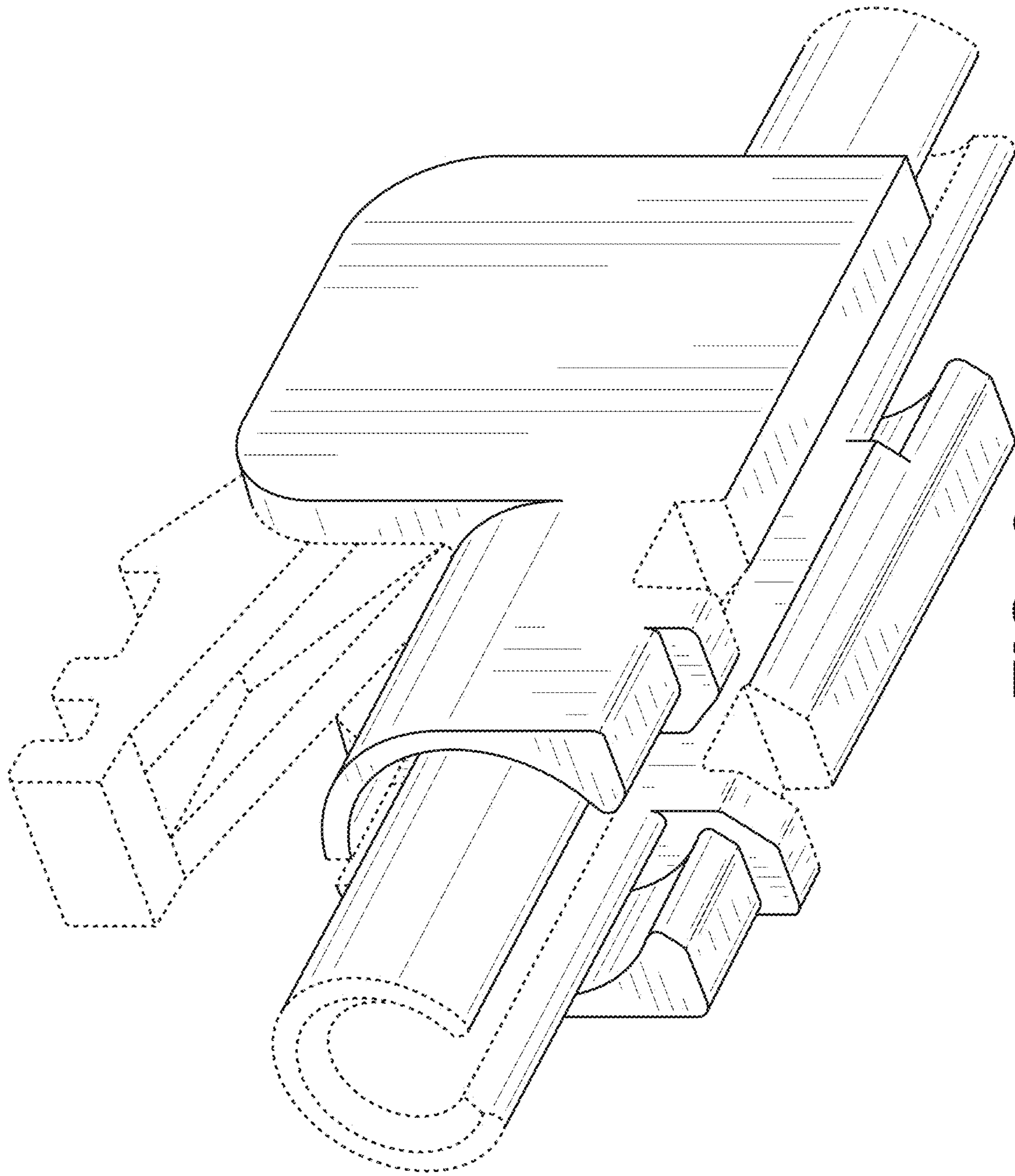


FIG. 3

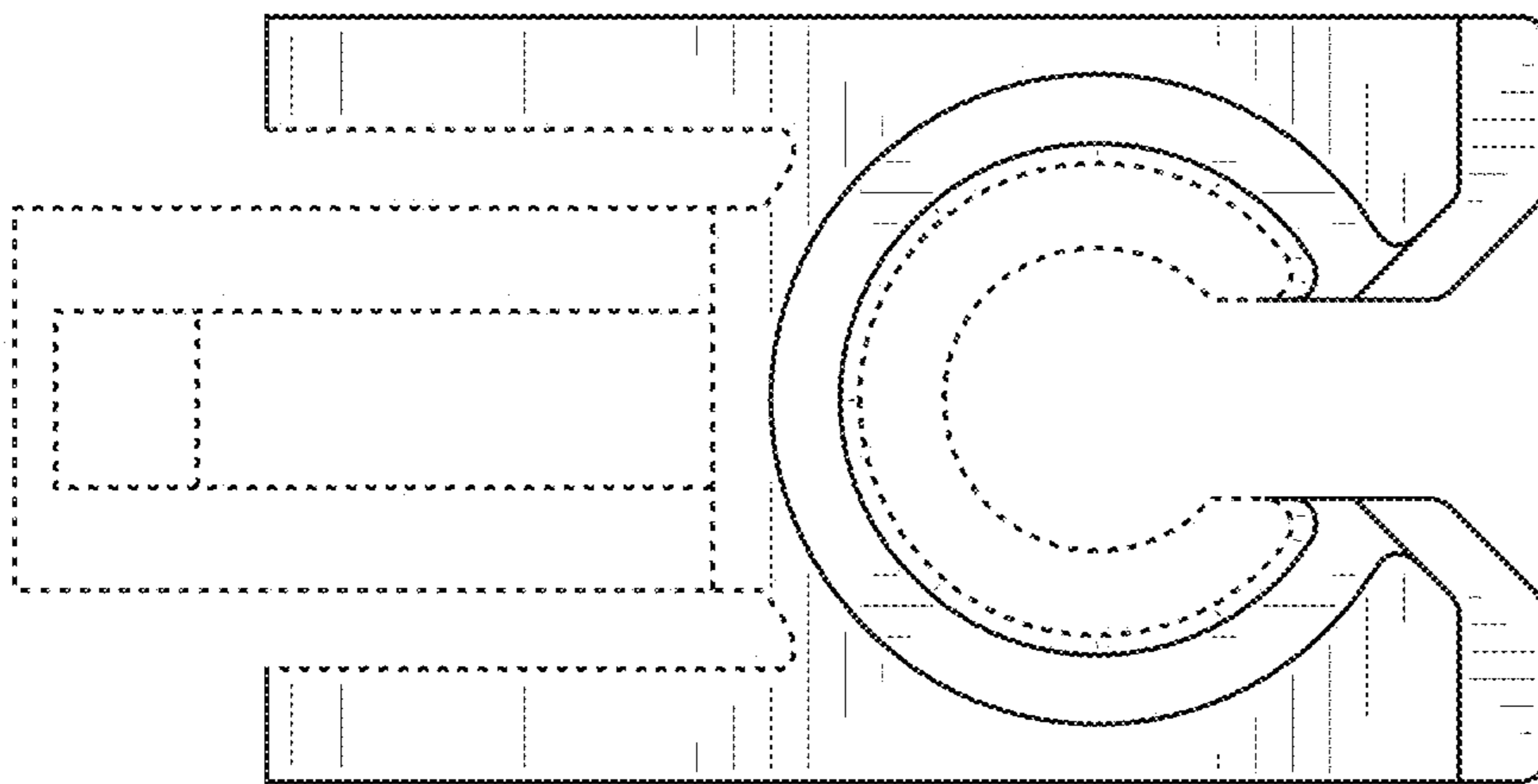


FIG. 4

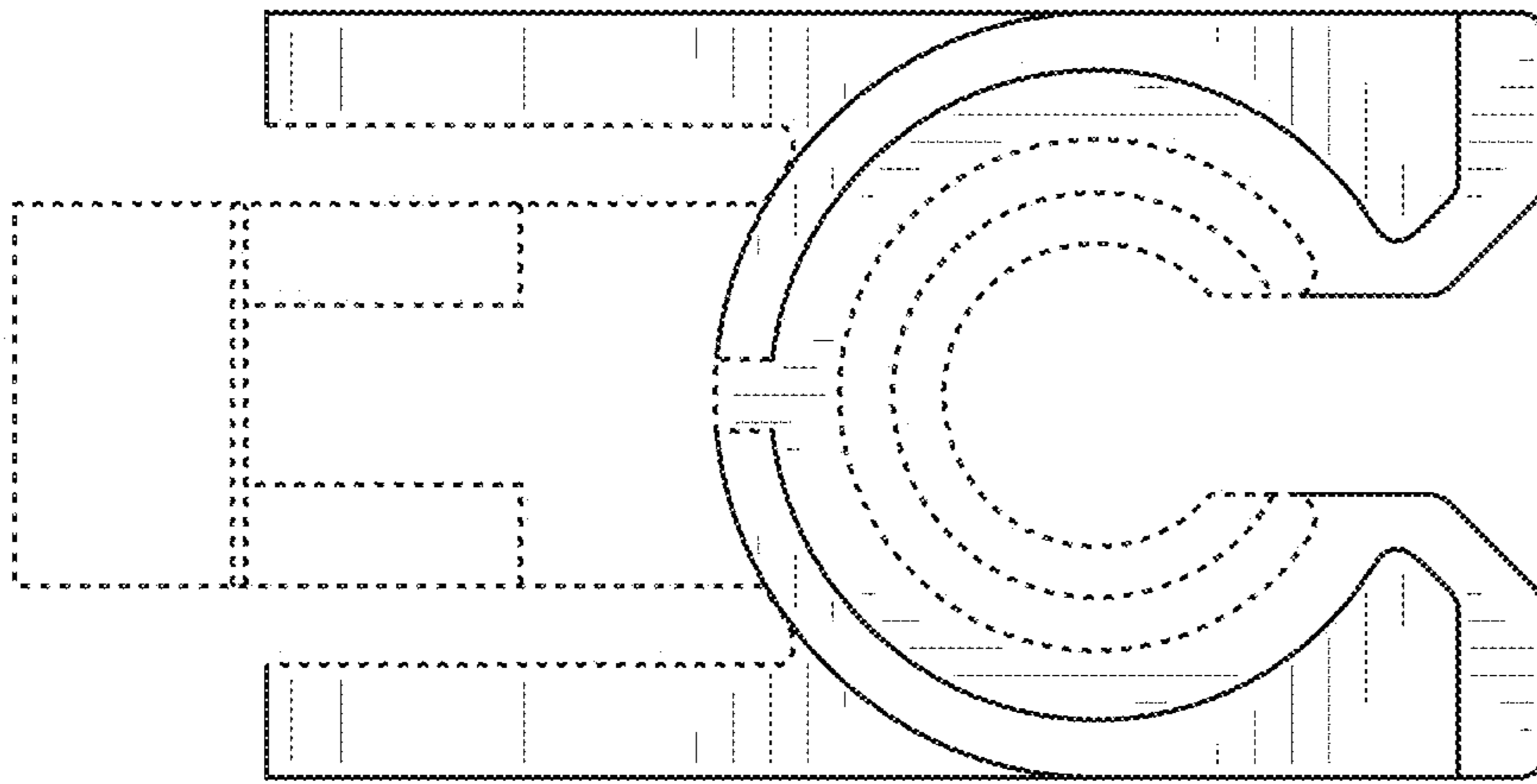


FIG. 5

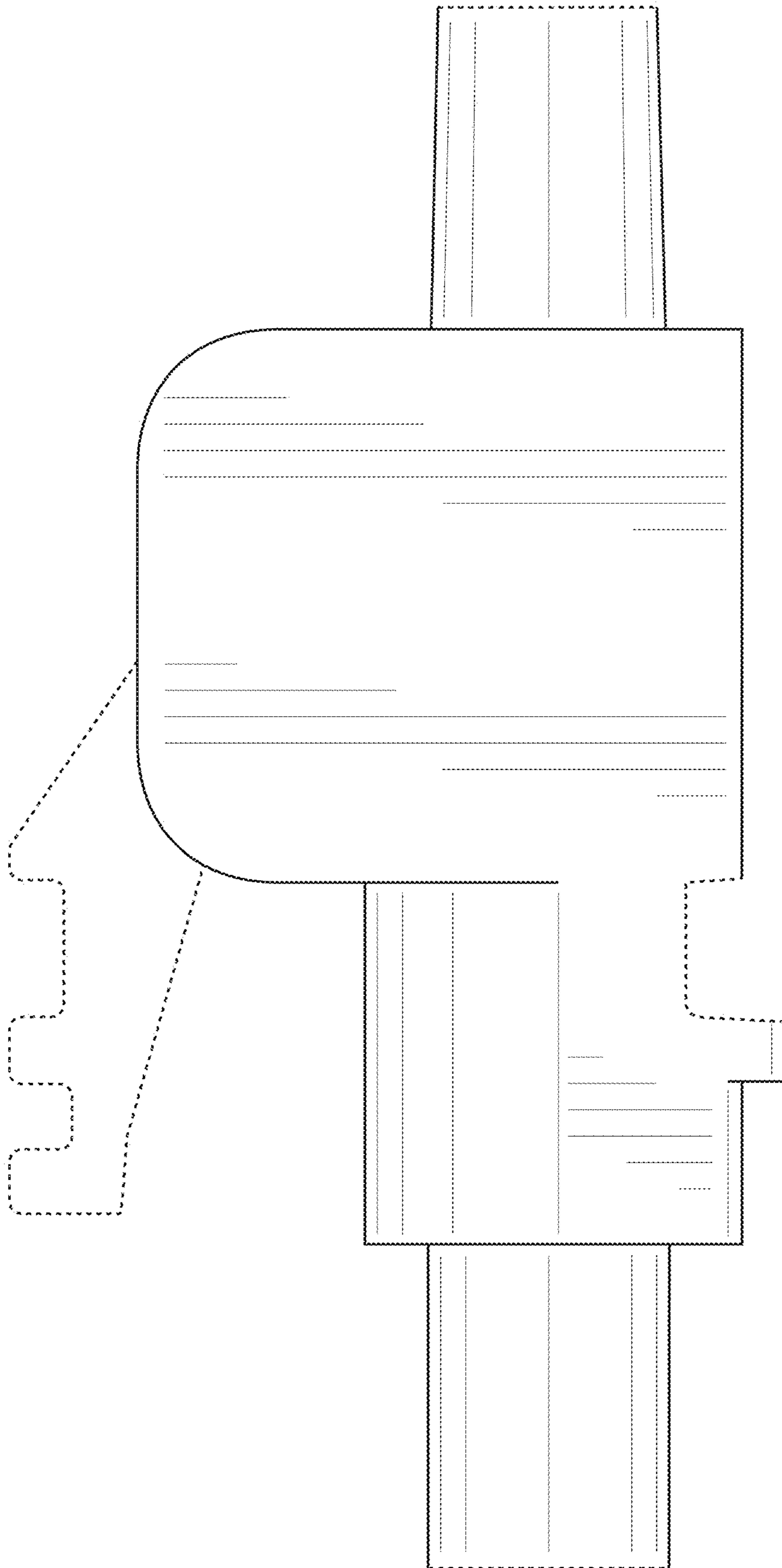


FIG. 6

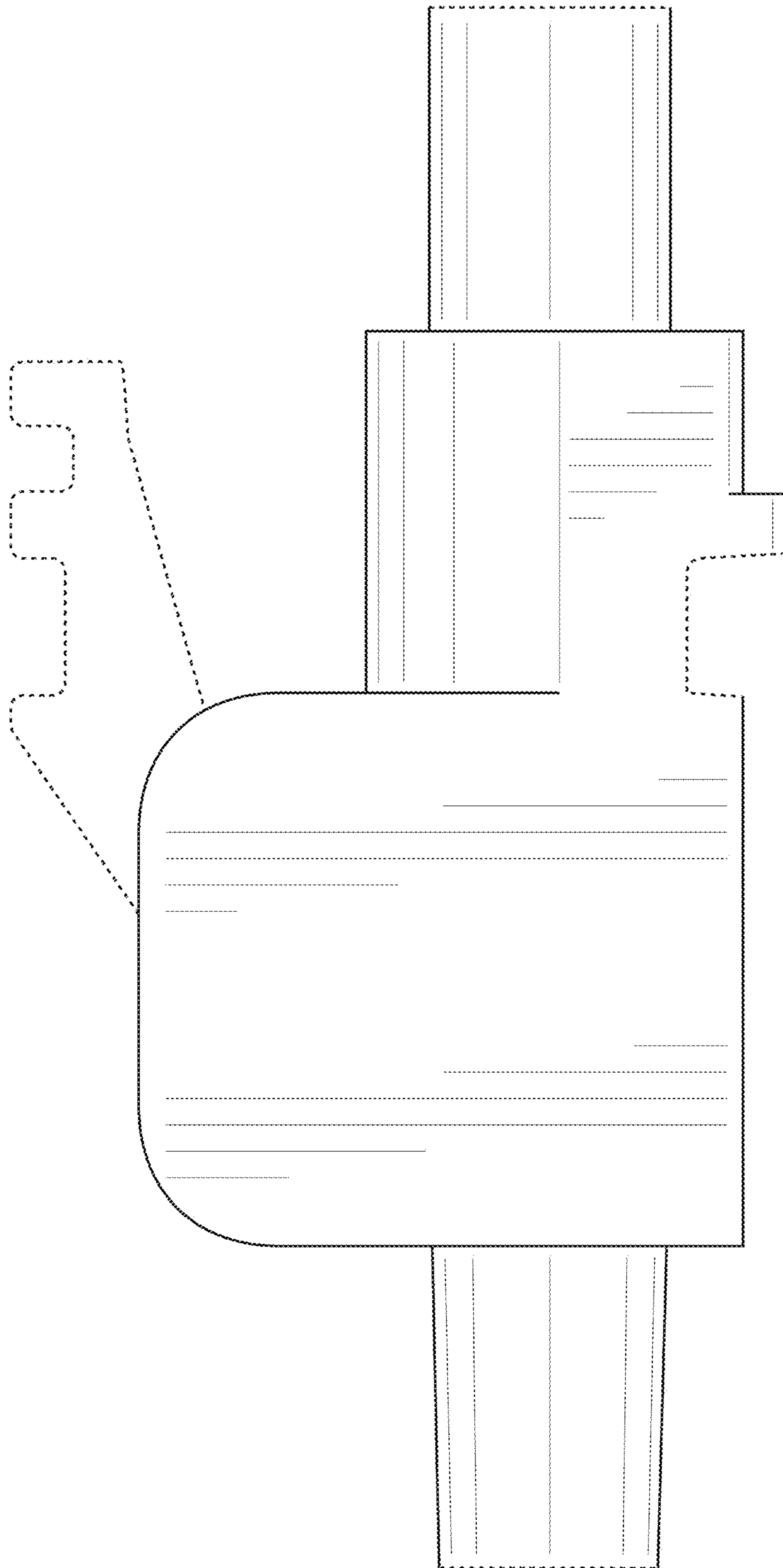


FIG. 7

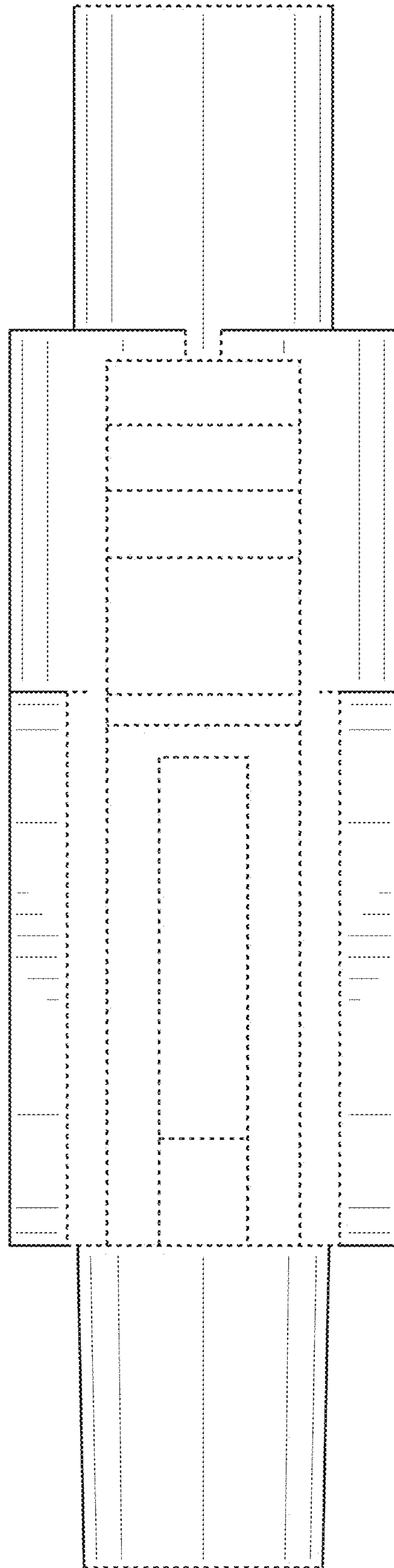


FIG. 8

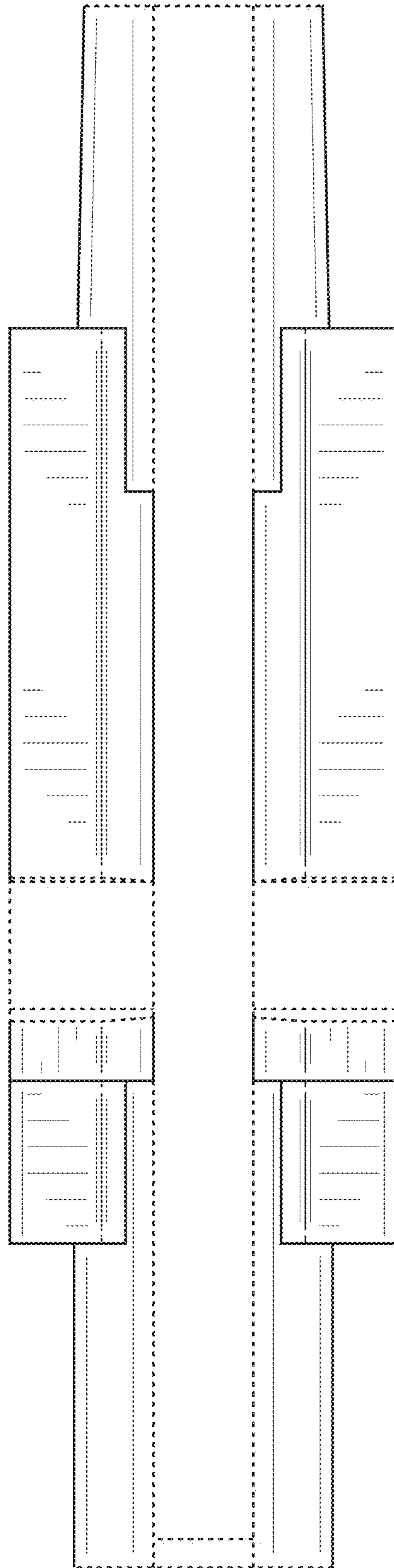


FIG. 9