



US00D913971S

(12) **United States Design Patent**  
**Lis et al.**

(10) **Patent No.:** **US D913,971 S**  
(45) **Date of Patent:** **\*\* Mar. 23, 2021**

(54) **STRAIN RELIEF DEVICE**  
(71) Applicant: **Corning Research & Development Corporation**, Corning, NY (US)  
(72) Inventors: **Walentin Lis**, Berlin (DE); **Michal Ruda**, Brzeziny (PL)  
(73) Assignee: **Coming Research & Development Corporation**, Coming, NY (US)

D860,142 S \* 9/2019 Childers ..... G02B 6/3831  
D13/156  
D865,679 S \* 11/2019 Wang ..... D13/151  
D868,704 S \* 12/2019 DeJong ..... D13/156  
D876,354 S \* 2/2020 Wang ..... D13/120  
D883,231 S \* 5/2020 DeJong ..... D13/156  
D889,414 S \* 7/2020 Li ..... D13/133  
D892,742 S \* 8/2020 Hsu ..... D13/133  
2011/0069931 A1\* 3/2011 Cote ..... G02B 6/4477  
385/100  
2015/0131945 A1\* 5/2015 Scopic ..... G02B 6/3887  
385/87

(\*\*) Term: **15 Years**

\* cited by examiner

(21) Appl. No.: **29/690,432**

*Primary Examiner* — Jennifer O King

(22) Filed: **May 8, 2019**

(74) *Attorney, Agent, or Firm* — Grant A. Gildehaus

(51) **LOC (13) Cl.** ..... **13-03**

(57) **CLAIM**

(52) **U.S. Cl.**  
USPC ..... **D13/156**

The ornamental design for a strain relief device, as shown and described.

(58) **Field of Classification Search**  
USPC ..... D13/107, 110, 120, 133, 134, 146, 148, D13/149, 155, 156, 157, 184, 199; D8/396, 356; D23/242; D24/129  
CPC ..... H01R 13/447; H01R 13/6277; H01R 2201/26; G02B 6/3887; G02B 6/4471  
See application file for complete search history.

**DESCRIPTION**

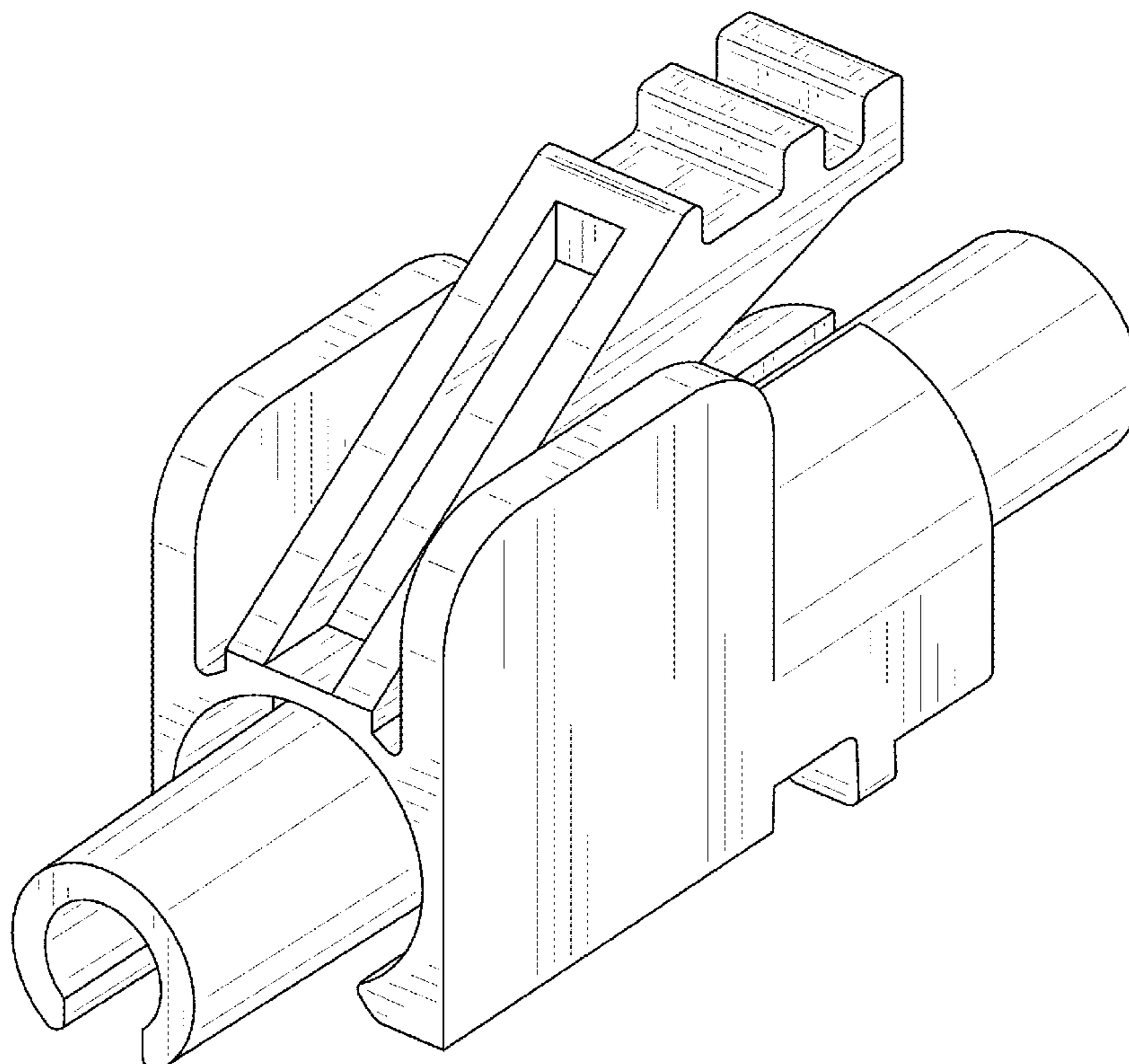
FIG. 1 is a top, front, right perspective view of the strain relief device according to the present invention;  
FIG. 2 is a top, back, left perspective view thereof;  
FIG. 3 is a bottom, back, left perspective view thereof;  
FIG. 4 is a front view thereof;  
FIG. 5 is a back view thereof;  
FIG. 6 is a left-side view thereof;  
FIG. 7 is a right-side view thereof;  
FIG. 8 is a top view thereof; and,  
FIG. 9 is a bottom view thereof.

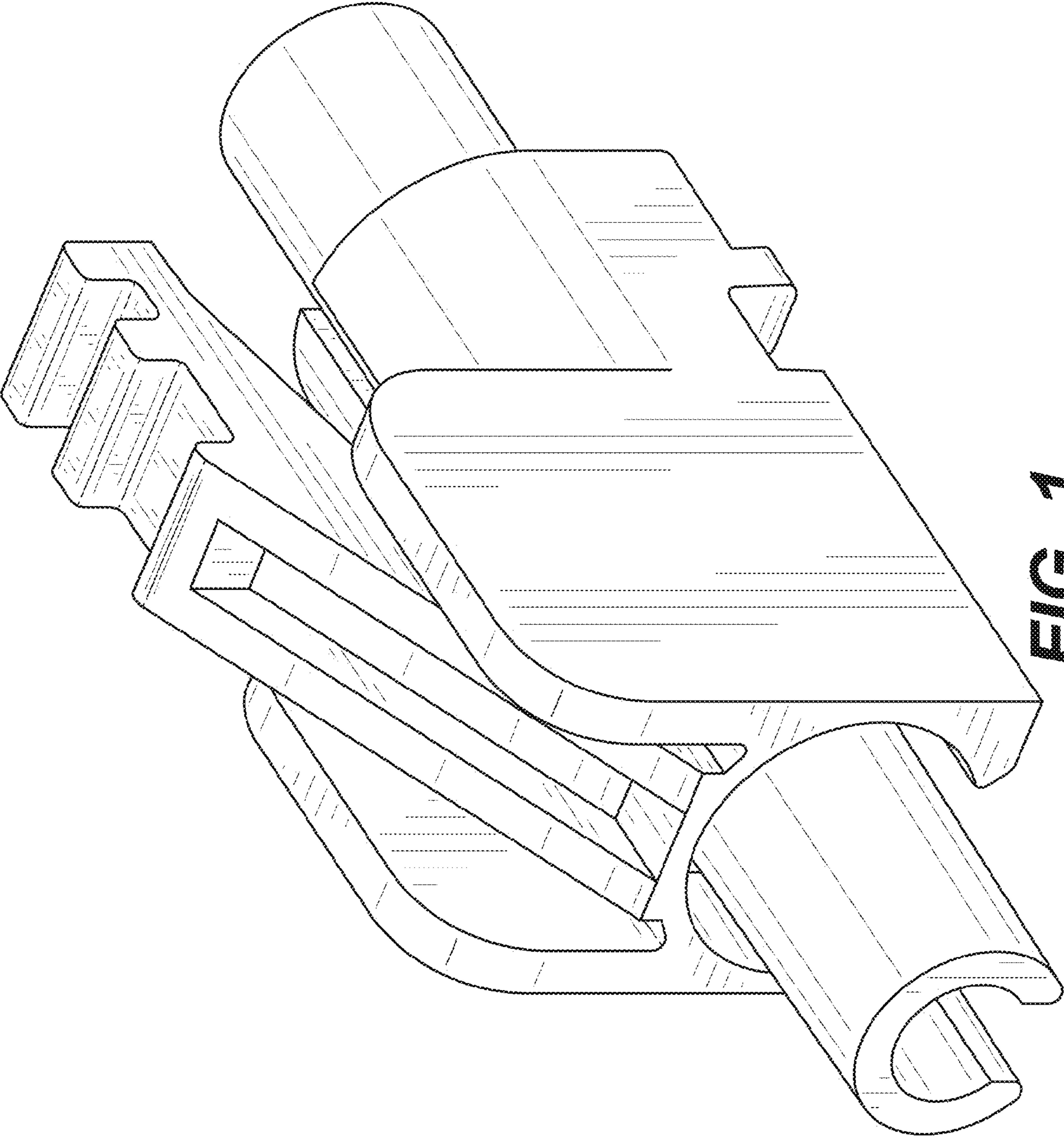
(56) **References Cited**

U.S. PATENT DOCUMENTS

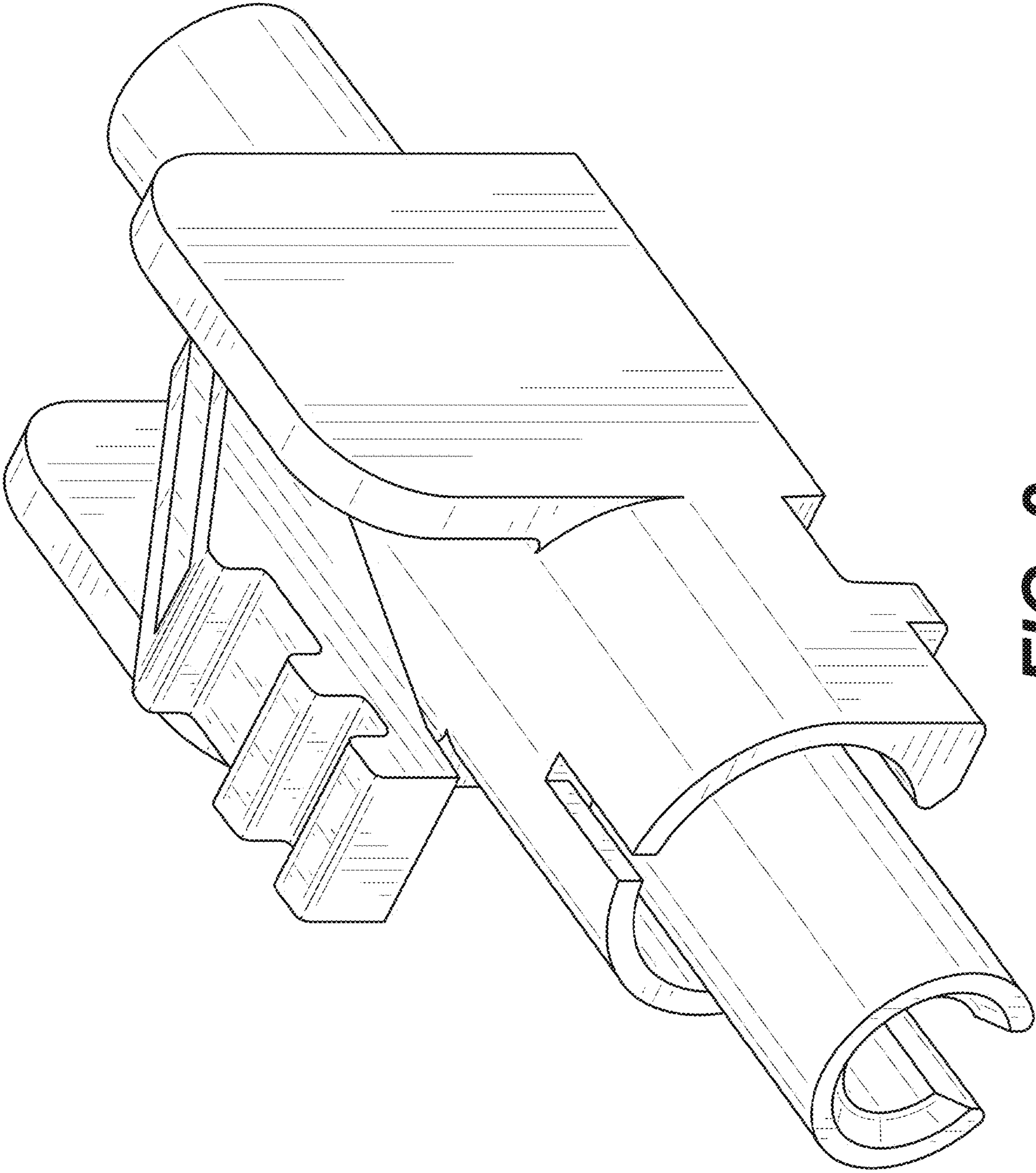
D740,761 S \* 10/2015 Cullins ..... D13/157  
D783,618 S \* 4/2017 Wu ..... D14/433  
9,739,954 B1 \* 8/2017 Jones ..... G02B 6/3869

**1 Claim, 9 Drawing Sheets**

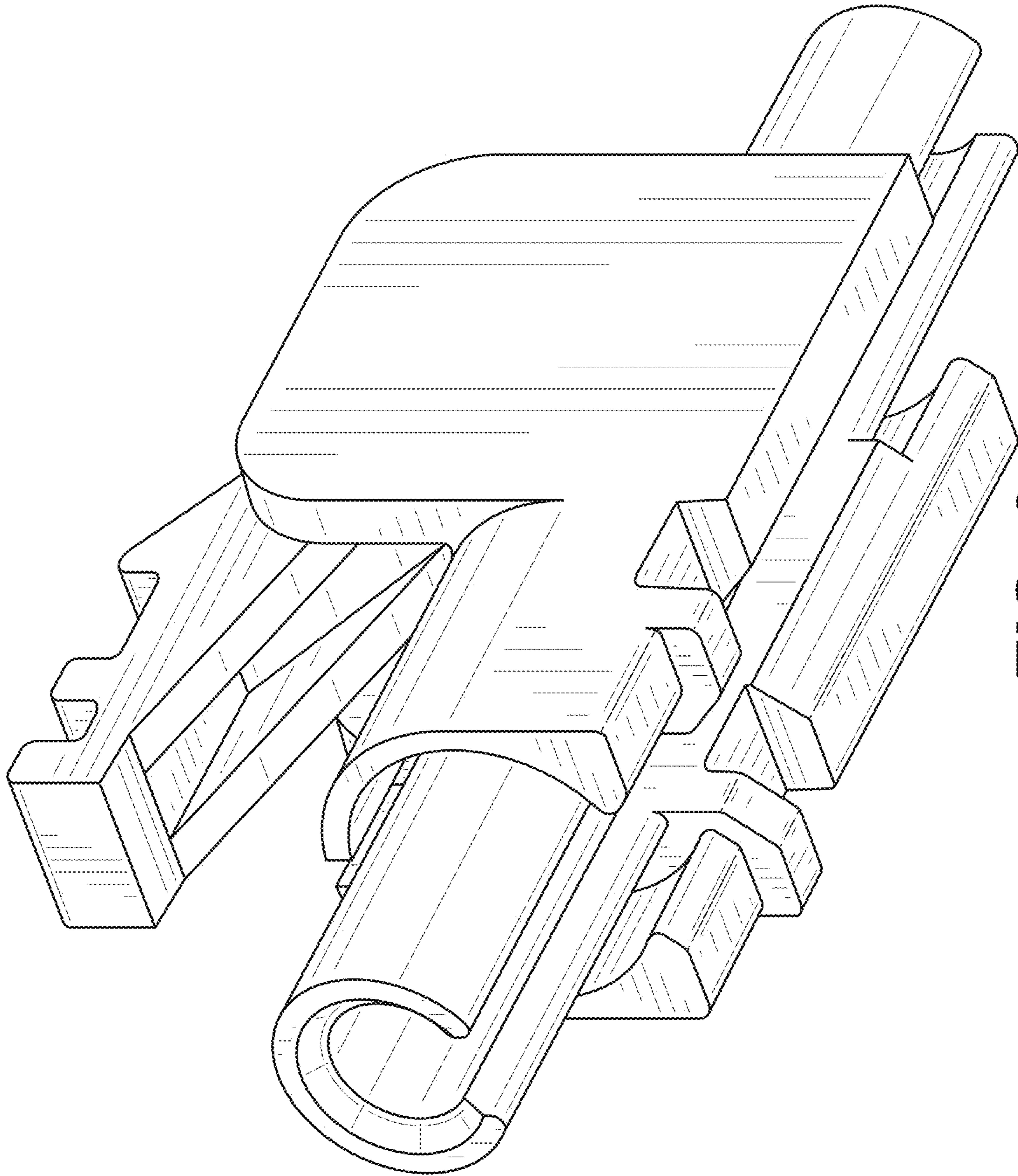




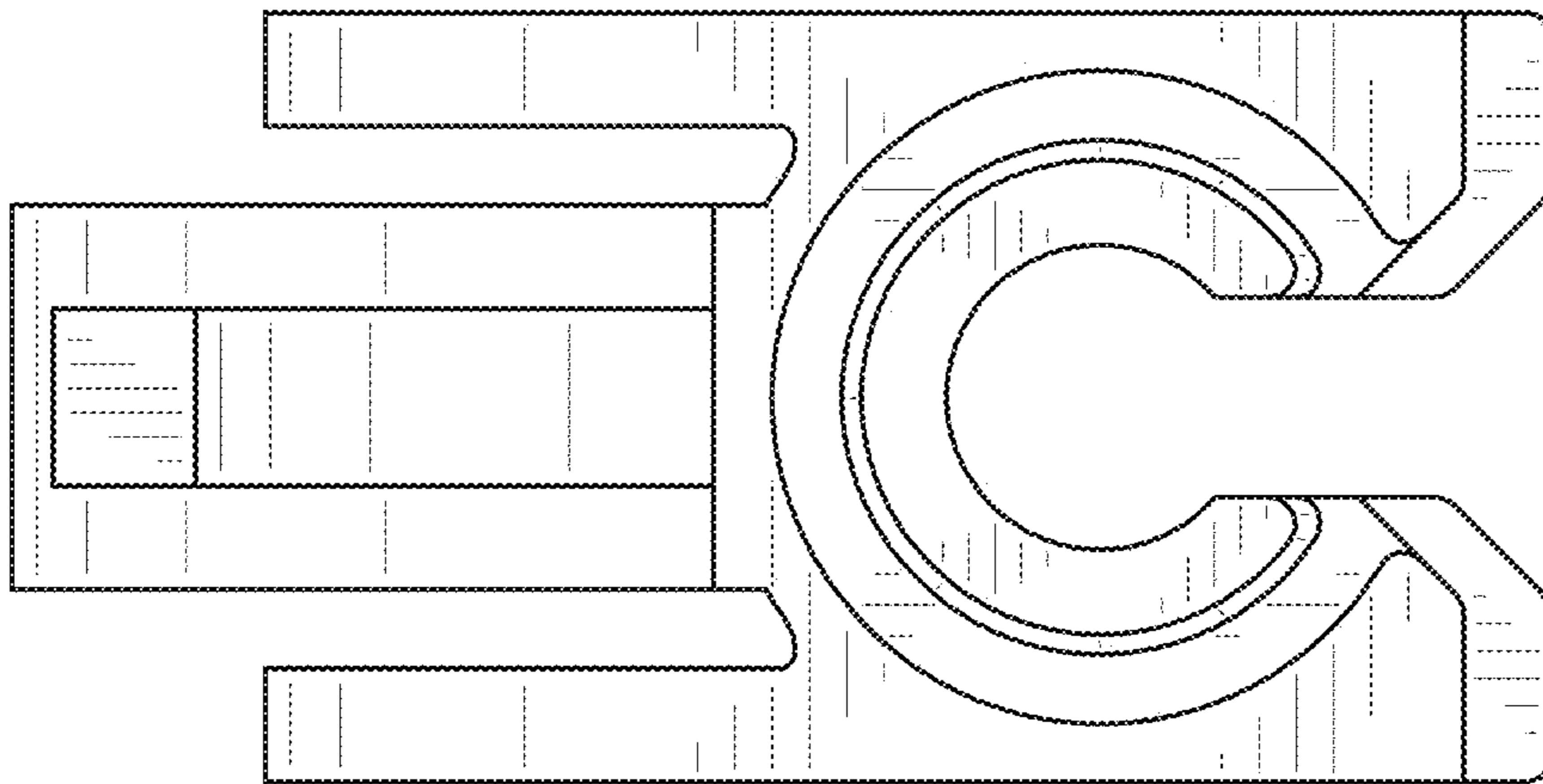
**FIG. 1**



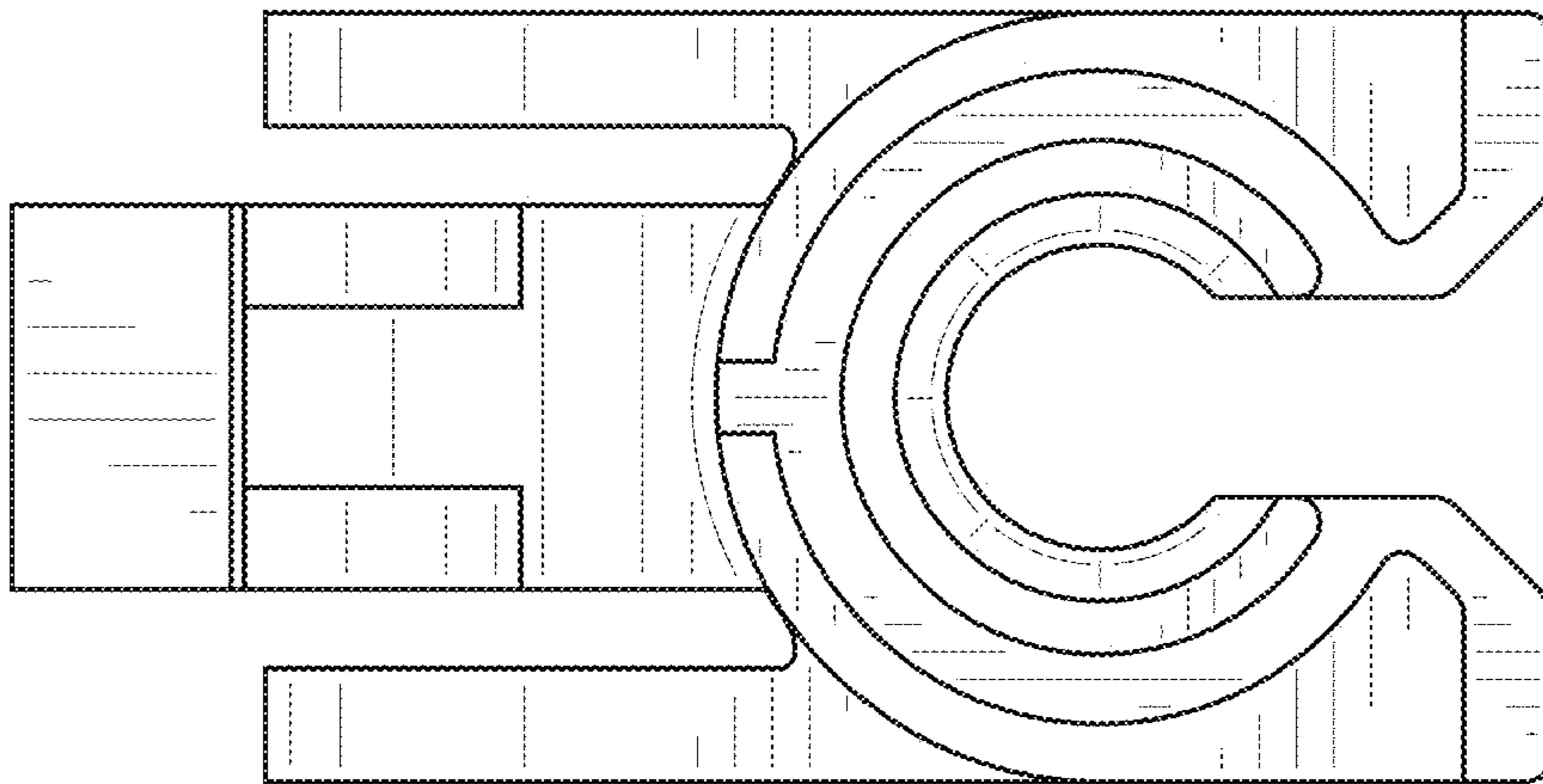
**FIG. 2**



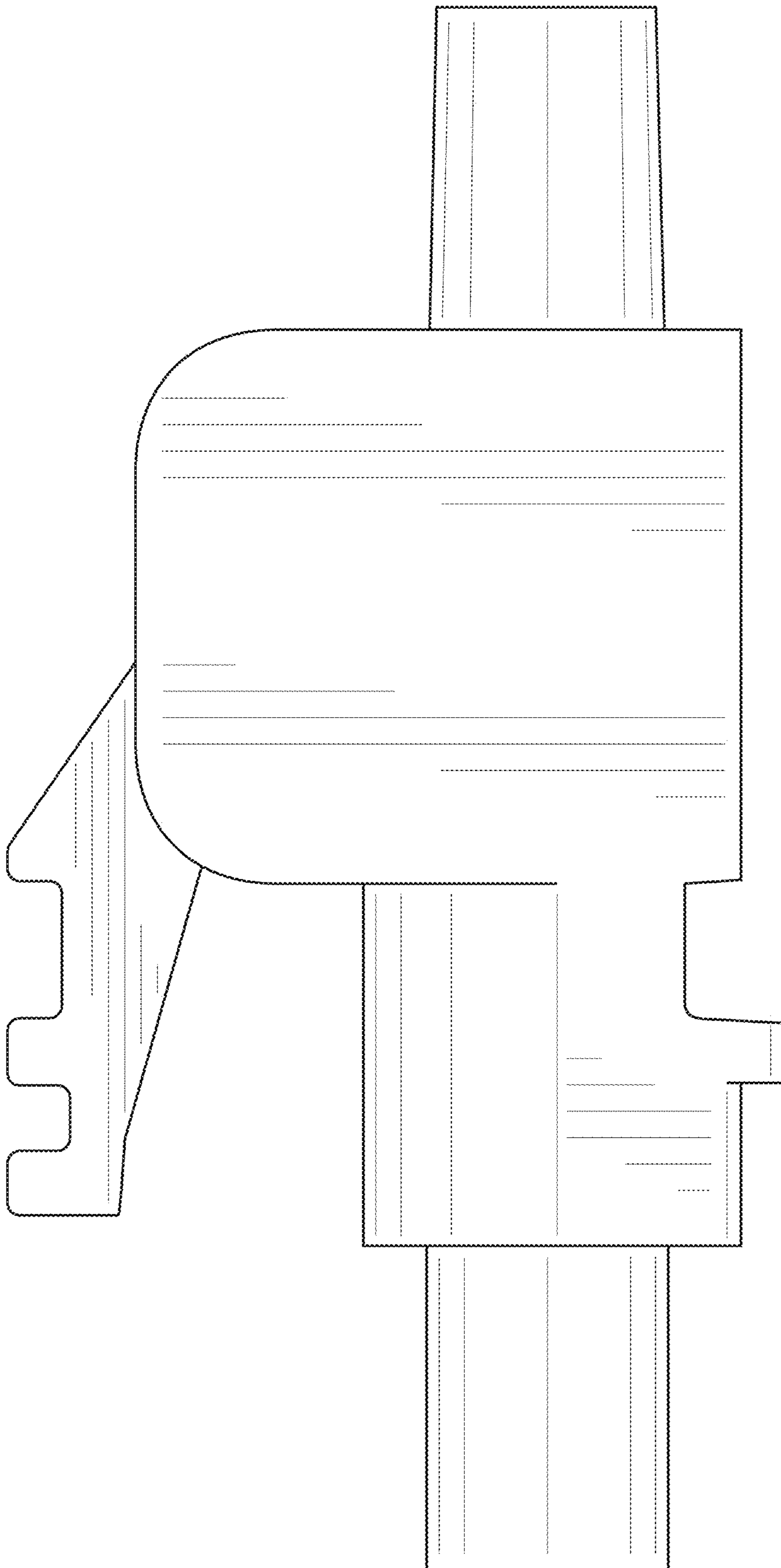
**FIG. 3**



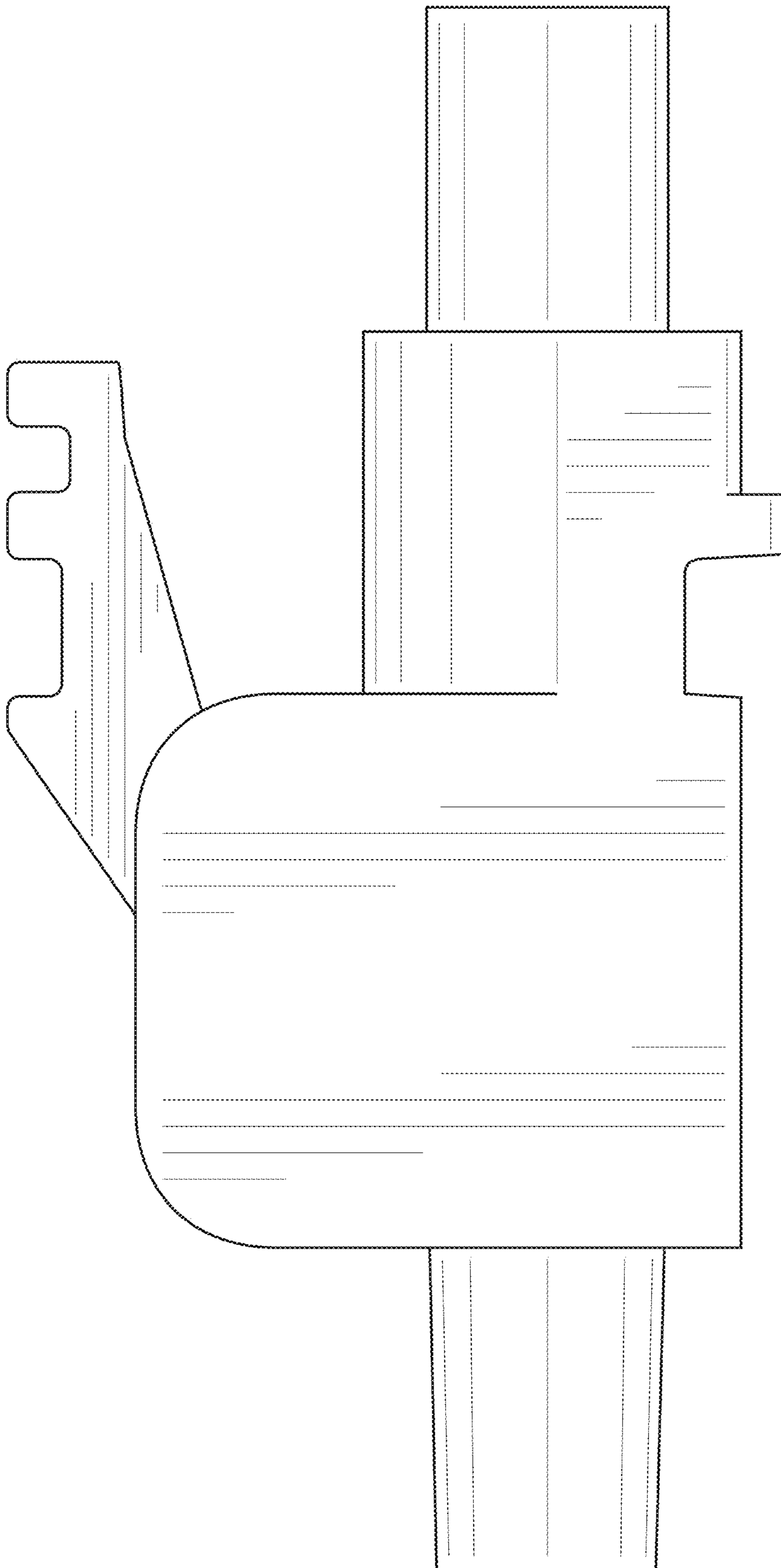
**FIG. 4**



**FIG. 5**

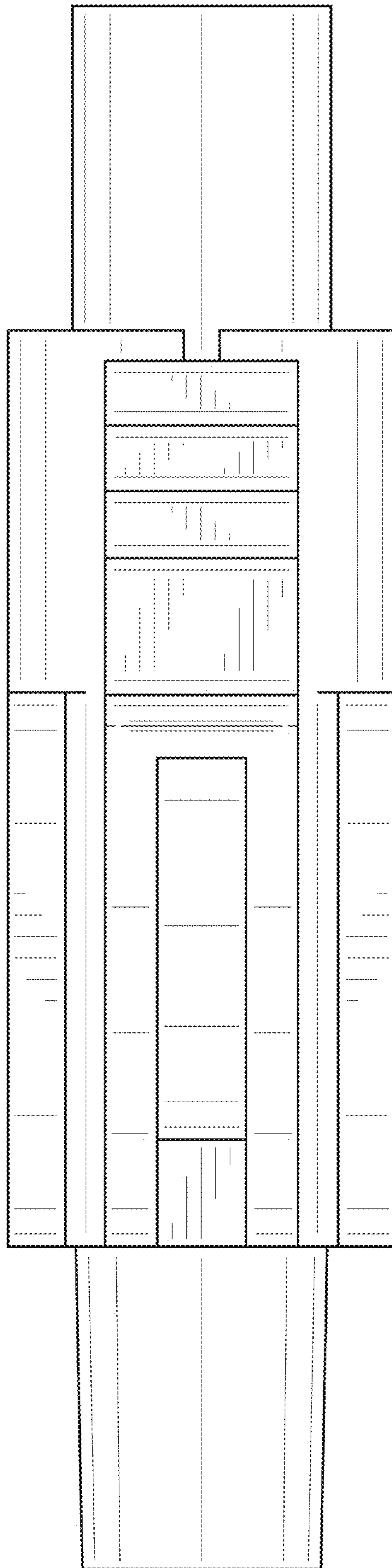


**FIG. 6**

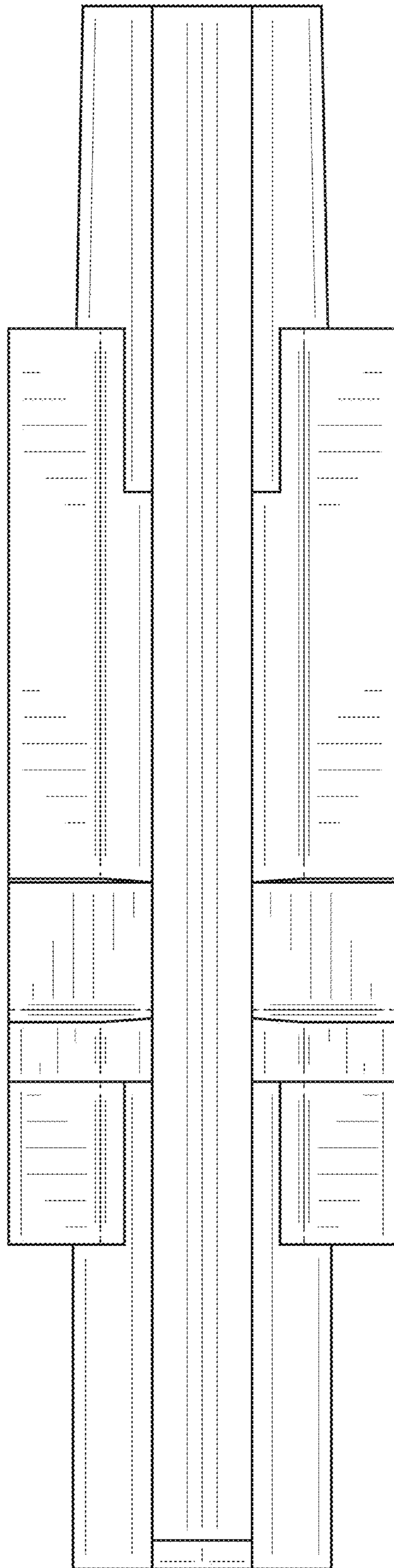


**FIG. 7**





**FIG. 8**



**FIG. 9**

UNITED STATES PATENT AND TRADEMARK OFFICE  
**CERTIFICATE OF CORRECTION**

PATENT NO. : D913,971 S  
APPLICATION NO. : 29/690432  
DATED : March 23, 2021  
INVENTOR(S) : Walentin Lis et al.

Page 1 of 1

It is certified that error appears in the above-identified patent and that said Letters Patent is hereby corrected as shown below:

On the Title Page

Item [73], delete "Coming" and insert -- Corning --, therefor.

Signed and Sealed this  
First Day of June, 2021



Drew Hirshfeld  
*Performing the Functions and Duties of the  
Under Secretary of Commerce for Intellectual Property and  
Director of the United States Patent and Trademark Office*