



US00D913969S

(12) **United States Design Patent**  
**Lin**

(10) **Patent No.:** **US D913,969 S**  
(45) **Date of Patent:** **\*\* Mar. 23, 2021**

(54) **PROTECTIVE CASE FOR ELECTRONIC DEVICE**

(71) Applicant: **Guangzhou Roiskin Electrical Technology Co., Ltd.**, Guangzhou (CN)

(72) Inventor: **Sam Lin**, Guangzhou (CN)

(73) Assignee: **GUANGZHOU ROISKIN ELECTRICAL TECHNOLOGY CO., LTD.**, Guangzhou (CN)

(\*\*) Term: **15 Years**

(21) Appl. No.: **29/632,447**

(22) Filed: **Jan. 8, 2018**

(30) **Foreign Application Priority Data**

Dec. 6, 2017 (CN) ..... 201730616764.8

(51) **LOC (13) Cl.** ..... **13-03**

(52) **U.S. Cl.**  
USPC ..... **D13/156; D14/440**

(58) **Field of Classification Search**  
USPC ..... D13/120, 121, 123, 133, 154, 156, 158, D13/160, 173, 178, 184, 199; D14/440, D14/447, 482  
CPC .... G06F 1/1628; G06F 1/1626; H04B 1/3888  
See application file for complete search history.

(56) **References Cited**

**U.S. PATENT DOCUMENTS**

D733,154 S *	6/2015	Armstrong	.....	D14/440
D847,817 S *	5/2019	Cheng	.....	D14/440
D850,456 S *	6/2019	Armstrong	.....	D14/440
D852,802 S *	7/2019	Gao	.....	D14/440
D853,402 S *	7/2019	Yang	.....	D14/440
D854,023 S *	7/2019	Yang	.....	D14/440
D868,788 S *	12/2019	Weng	.....	D14/440

D877,513 S *	3/2020	Duncan	.....	D3/318
2012/0091312 A1 *	4/2012	Baker	.....	G06F 1/1626 248/682
2015/0068934 A1 *	3/2015	Armstrong	.....	H04B 1/3888 206/320

(Continued)

**OTHER PUBLICATIONS**

Roiskin.com. "Escort Tablet Case." Date accessed: Jul. 21, 2020. Webpage archive date: Jan. 28, 2018 <https://www.roiskin.com/p-d54e99a6c03704e95e6965532dec148b.html> (Year: 2018).\*

*Primary Examiner* — Jennifer O King

(74) *Attorney, Agent, or Firm* — Ward and Smith, P.A.; Ryan K. Simmons

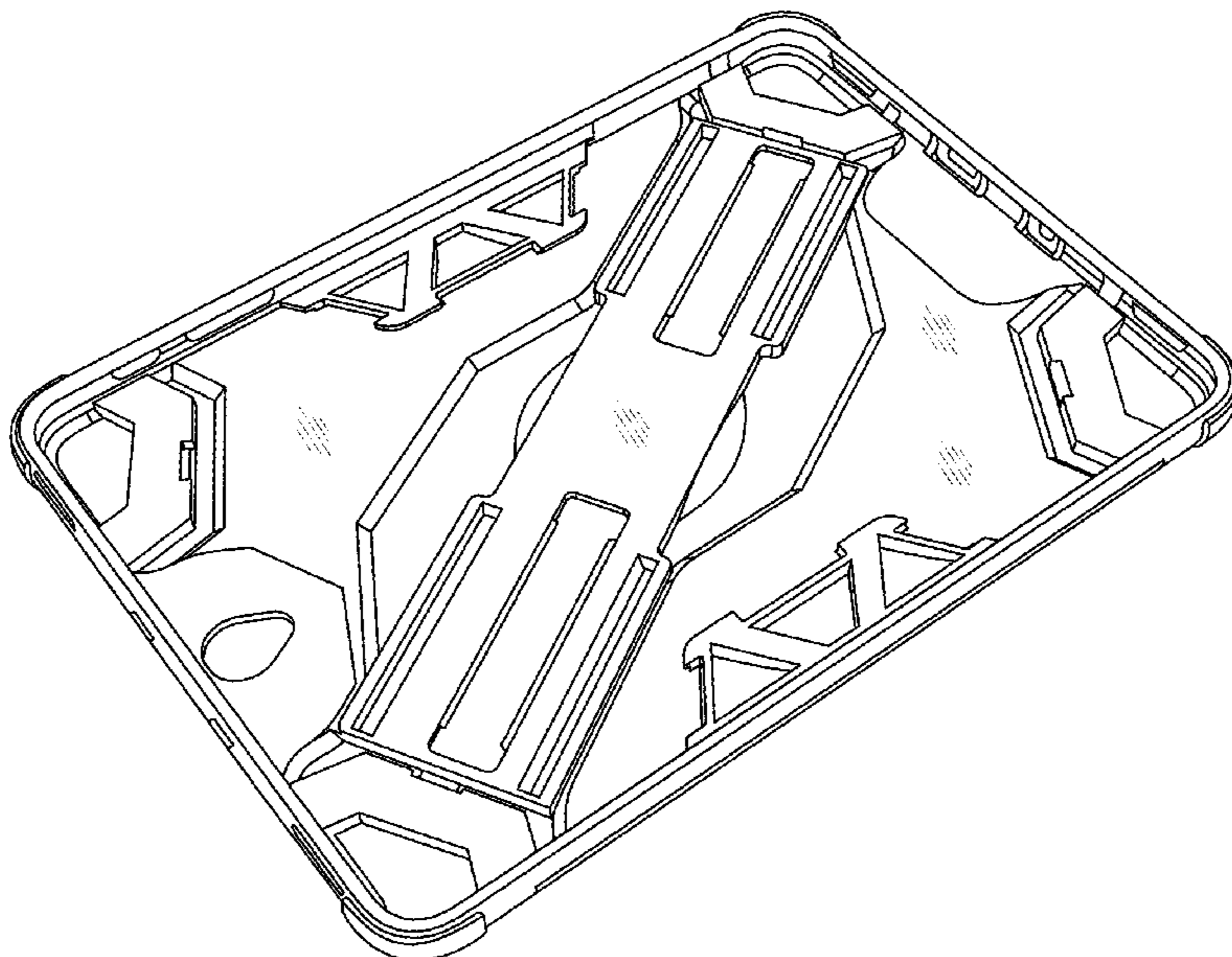
(57) **CLAIM**

The ornamental design for a house a protective case for electronic device, as shown and described.

**DESCRIPTION**

FIG. 1 is a rear elevation view of a protective case for electronic device showing my new design; FIG. 2 is a front elevation view thereof; FIG. 3 is a left side elevation view thereof; FIG. 4 is a right side elevation view thereof; FIG. 5 is a top plan view thereof; FIG. 6 is bottom plan view thereof; FIG. 7 is a rear perspective view of thereof; FIG. 8 is a front perspective view of thereof; FIG. 9 is another rear perspective view of thereof, showing an alternate configuration; FIG. 10 is another rear perspective view of thereof, showing another alternate configuration; and, FIG. 11 is another rear perspective view of thereof, showing yet another alternate configuration. Broken lines shown in the drawings are for the purpose of illustrating portions of the protective case for electronic device that form no part of the claimed design.

**1 Claim, 11 Drawing Sheets**



(56)

**References Cited**

U.S. PATENT DOCUMENTS

2017/0045920 A1\* 2/2017 Armstrong ..... G06F 1/1669

\* cited by examiner

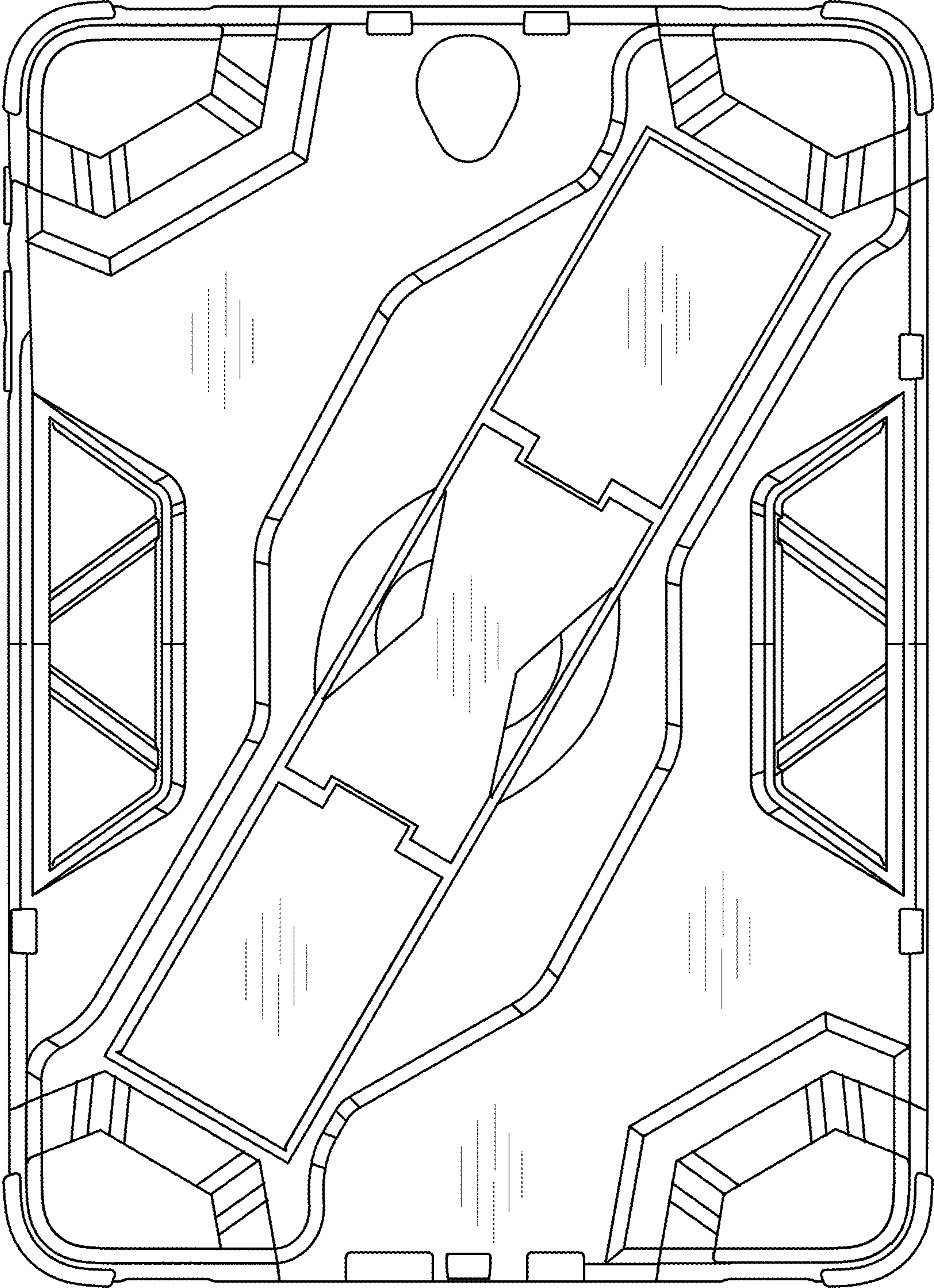


FIG. 1

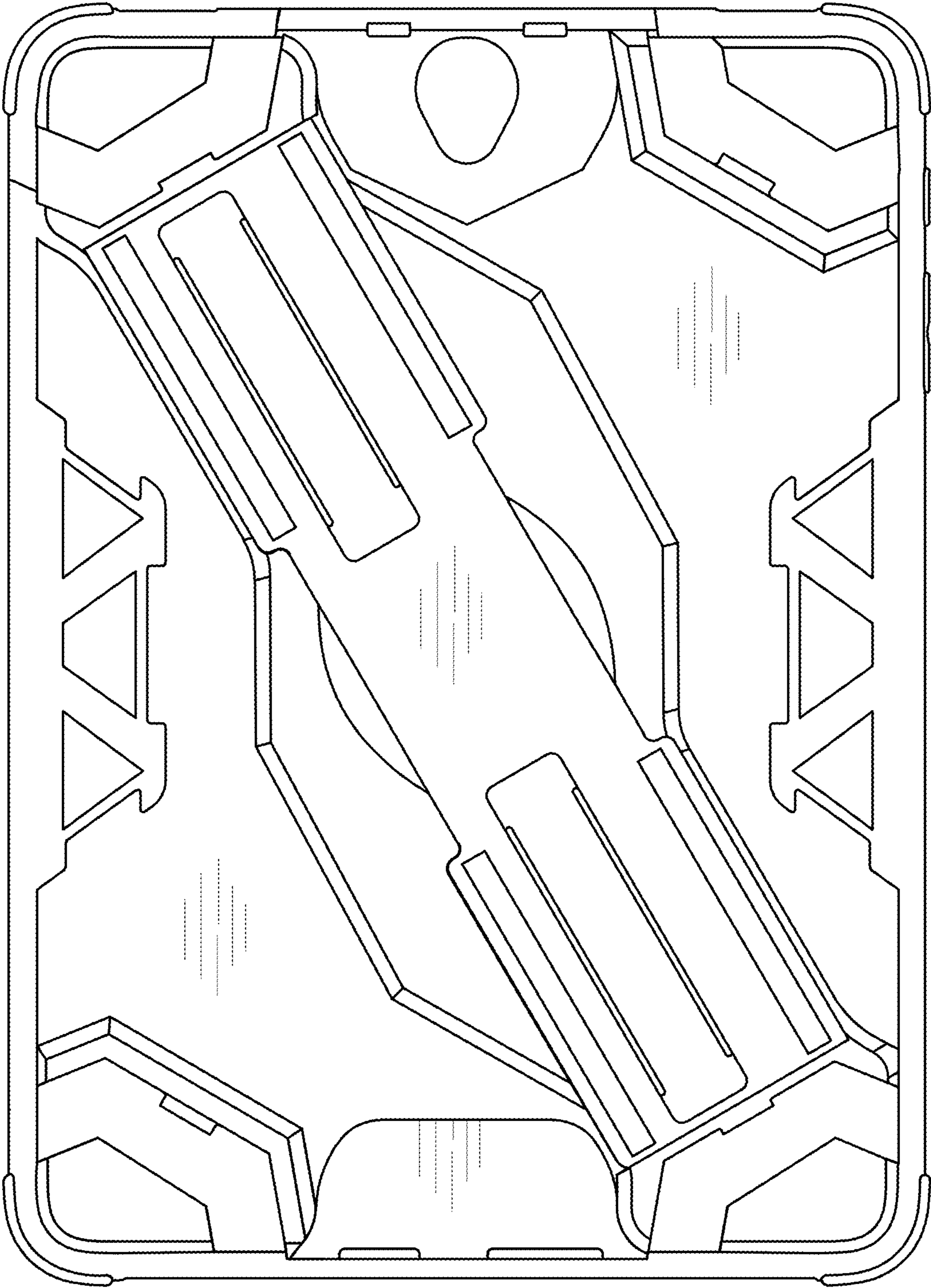


FIG.2

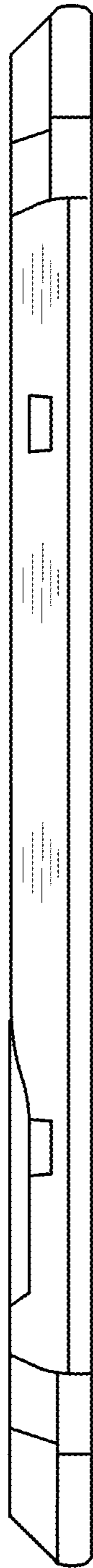


FIG.3

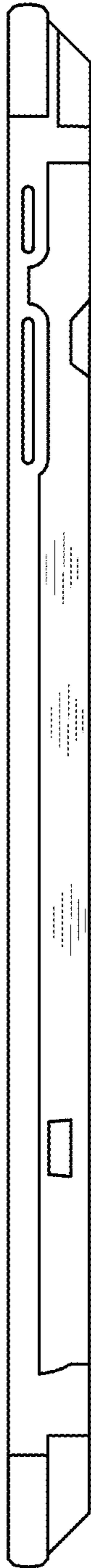


FIG.4



FIG.5

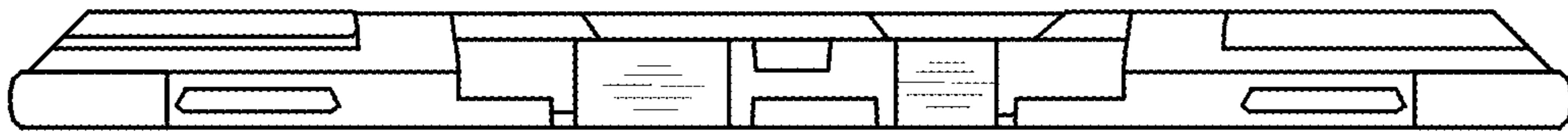


FIG.6



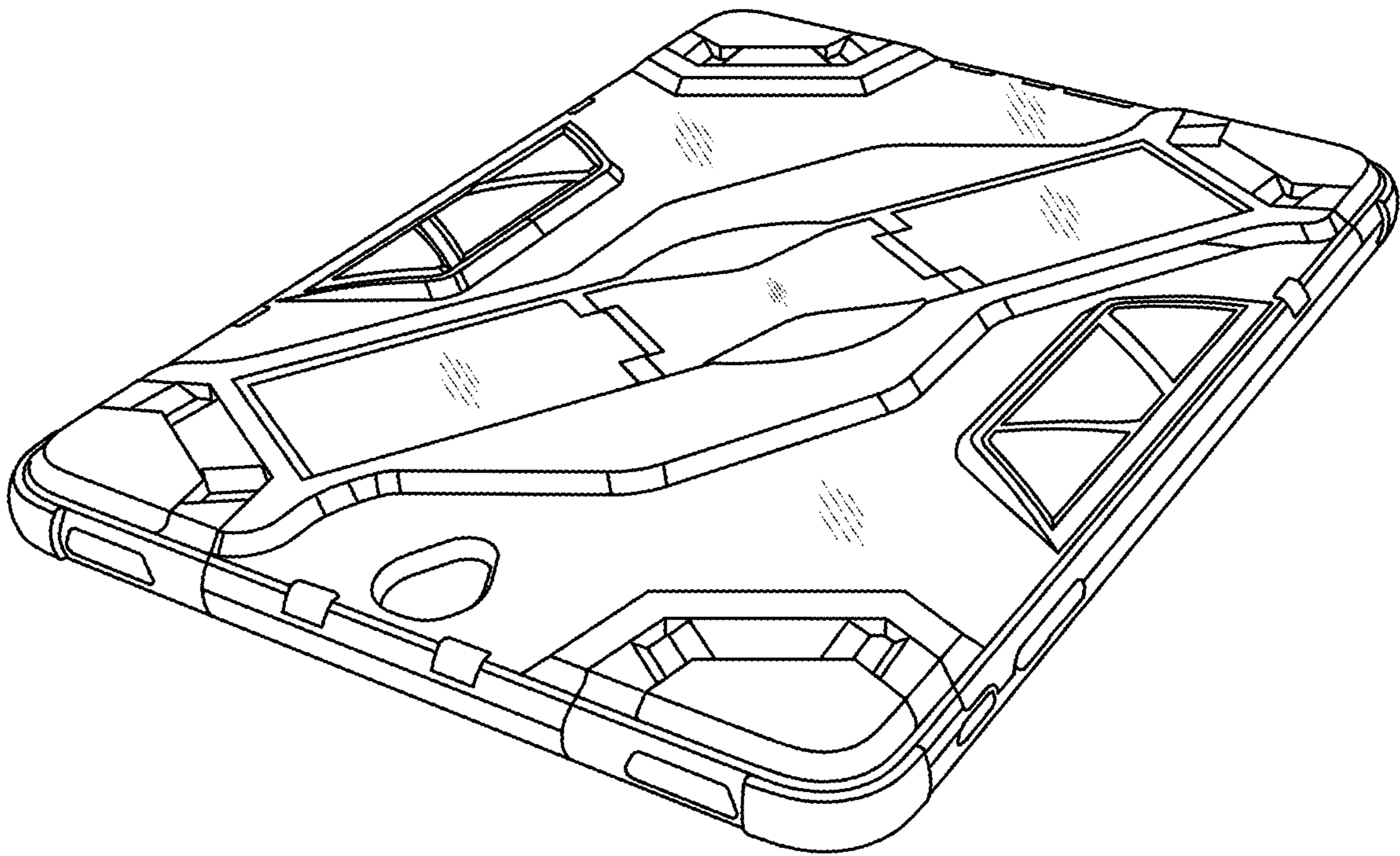


FIG. 7

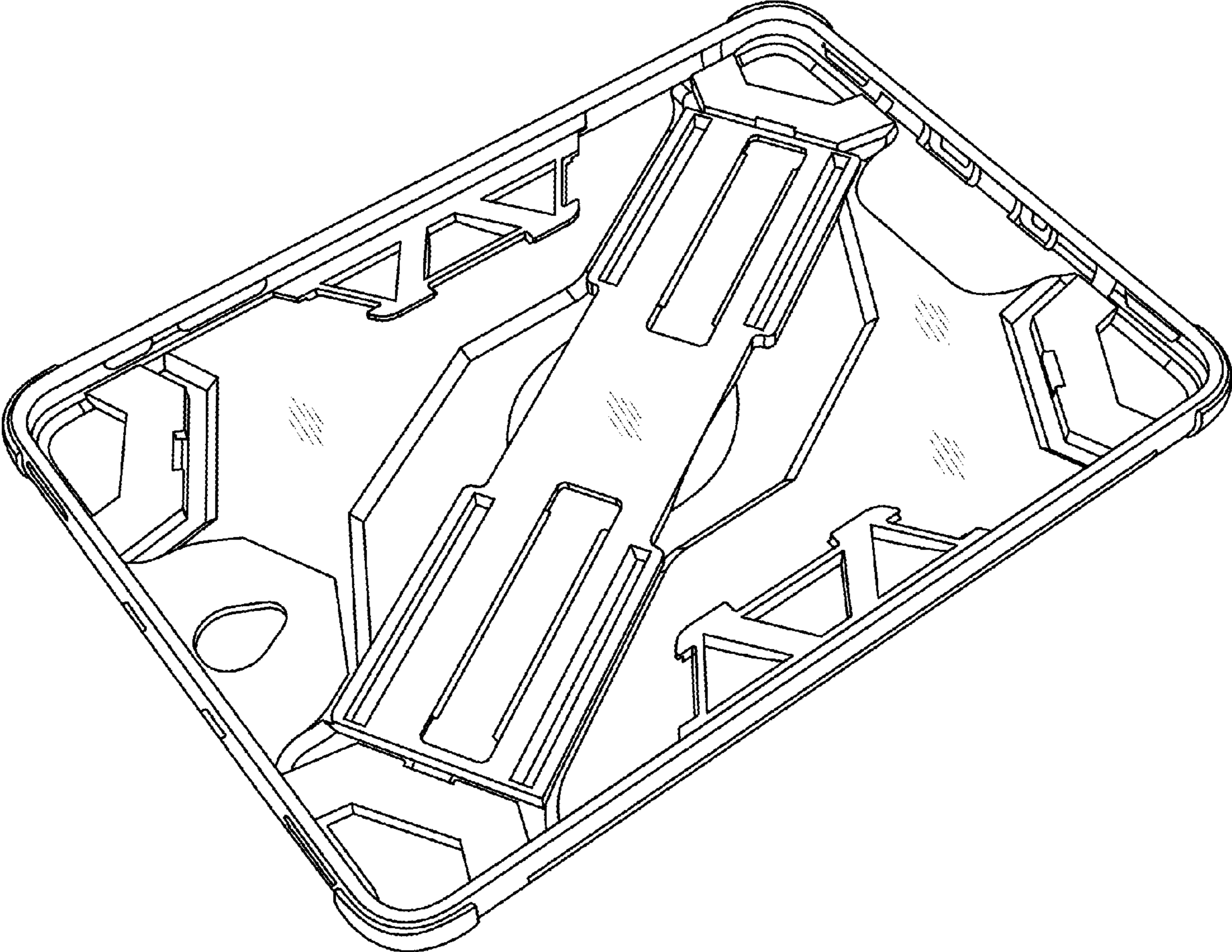


FIG.8

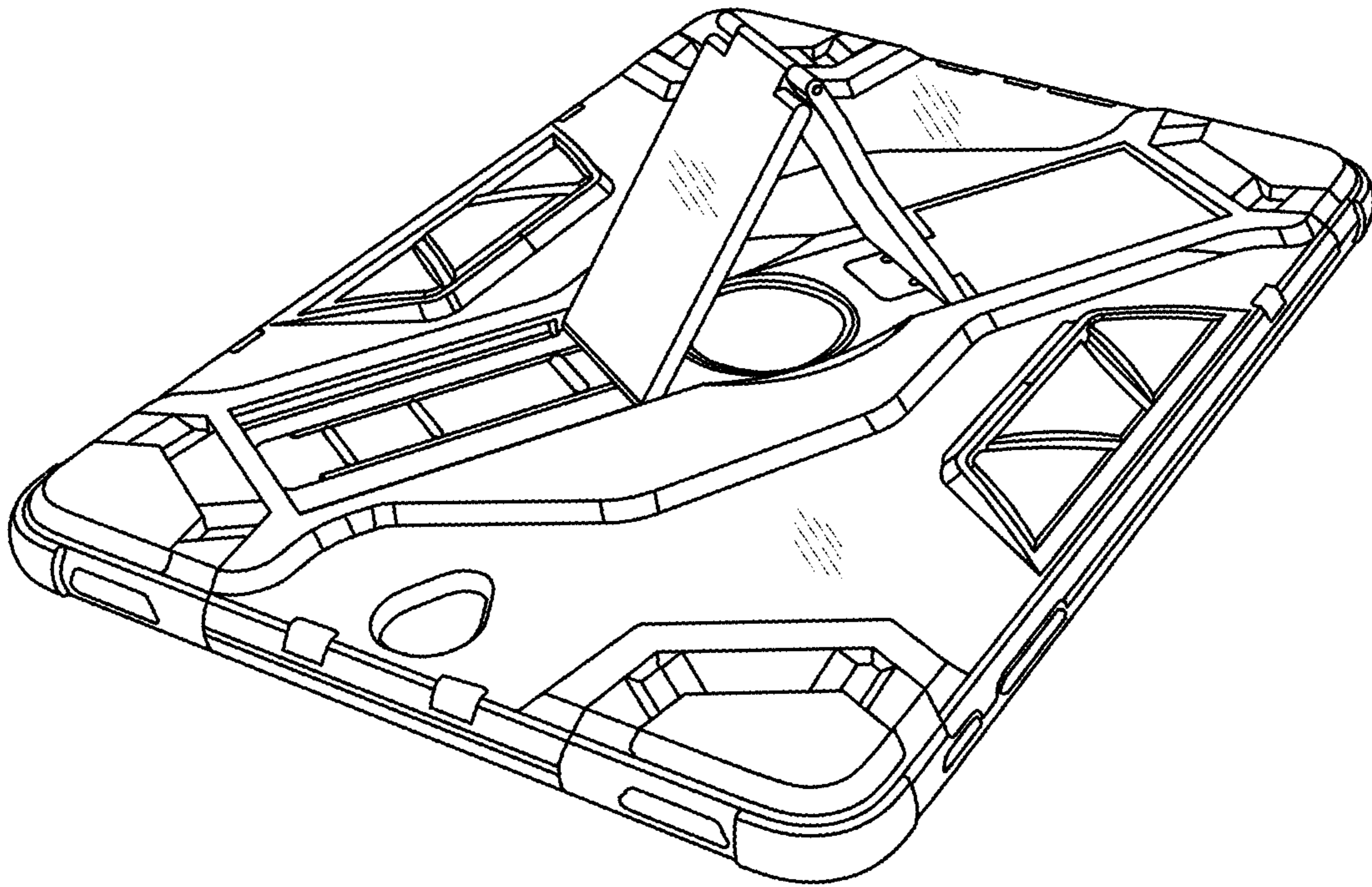


FIG.9

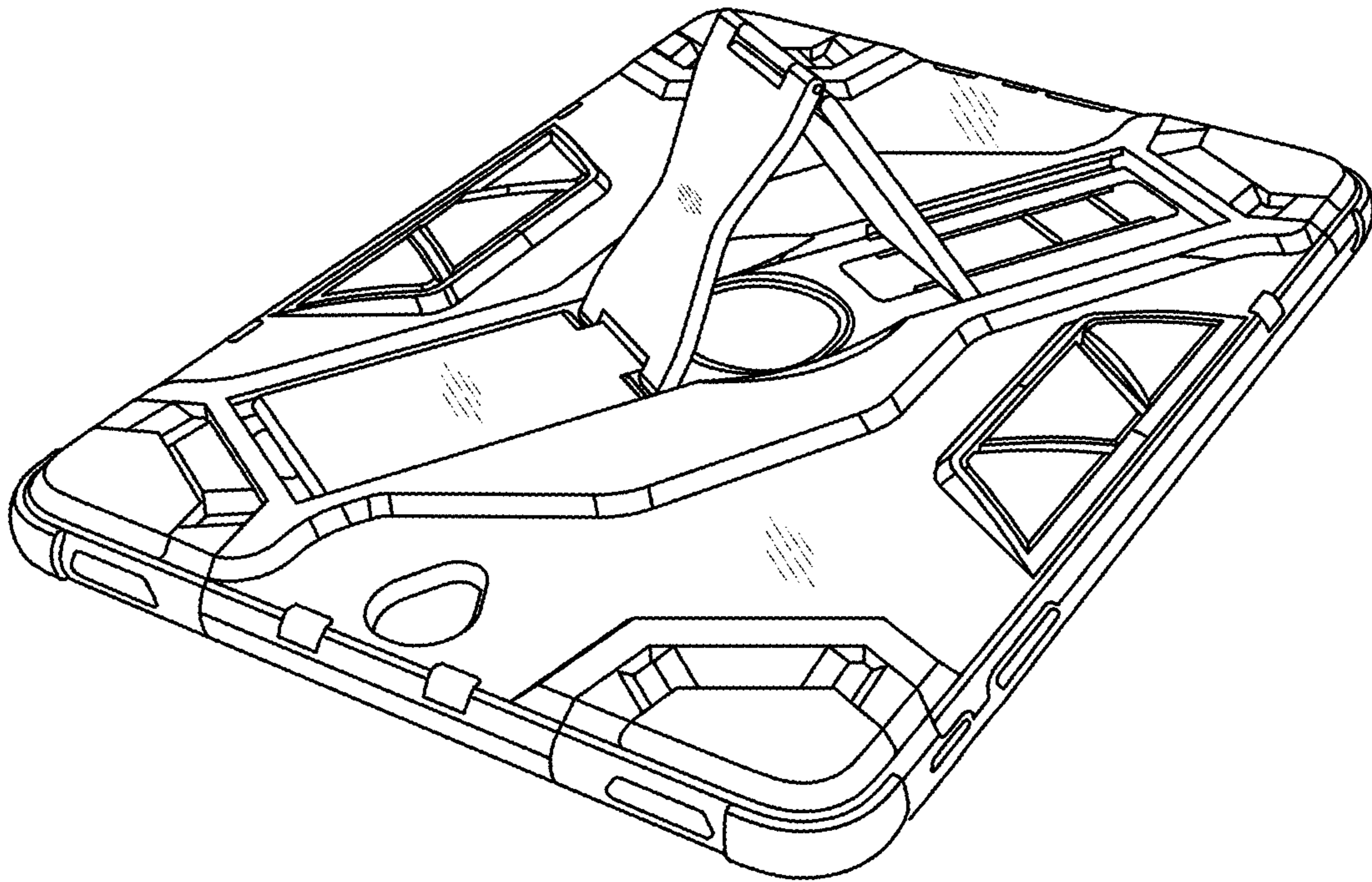


FIG. 10

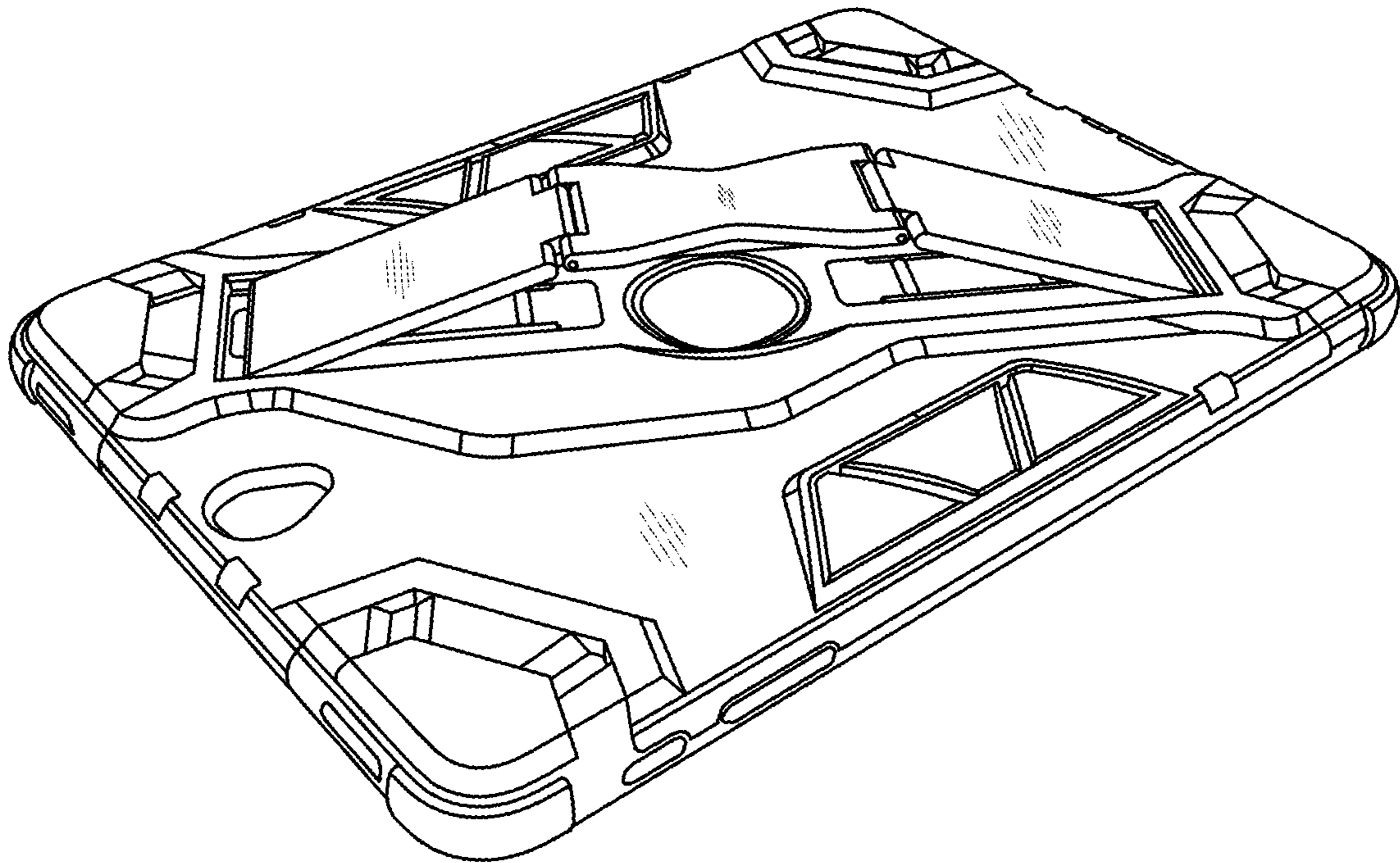


FIG. 11