



US00D913968S

(12) **United States Design Patent**  
**Dejanovic et al.**

(10) **Patent No.:** **US D913,968 S**

(45) **Date of Patent:** **\*\* Mar. 23, 2021**

- (54) **COVER**
- (71) Applicant: **Layer Zero Power Systems, Inc.**,  
Aurora, OH (US)
- (72) Inventors: **Mijo Dejanovic**, Windham, OH (US);  
**Milind Bhanoo**, Chagrin Falls, OH  
(US); **James M Galm**, Chagrin Falls,  
OH (US)
- (73) Assignee: **Layer Zero Power Systems, Inc.**,  
Aurora, OH (US)
- (\*\*) Term: **15 Years**
- (21) Appl. No.: **29/629,085**
- (22) Filed: **Dec. 11, 2017**

5,242,311 A *	9/1993	Seong .....	H01R 13/443 439/135
5,277,601 A *	1/1994	Miyazawa .....	H05K 13/0409 439/135
5,480,312 A *	1/1996	Watanabe .....	H01R 13/443 439/135
6,116,949 A	9/2000	Costello et al.	
6,599,140 B1 *	7/2003	Chen .....	H01R 43/0263 439/135
7,393,219 B2 *	7/2008	Liao .....	H01R 13/5213 439/135
7,687,713 B2	3/2010	VanderVelde et al.	
D724,028 S	3/2015	Norman et al.	
D758,321 S *	6/2016	Byrne .....	D13/156
D771,574 S	11/2016	Hultquist	
D783,543 S	4/2017	Sims et al.	
D805,039 S *	12/2017	Dejanovic .....	D13/156
D836,072 S *	12/2018	Gray .....	D13/155
D864,124 S *	10/2019	Dejanovic .....	D13/156

\* cited by examiner

**Related U.S. Application Data**

- (62) Division of application No. 29/516,064, filed on Jan. 29, 2015, now Pat. No. Des. 805,039.
- (51) **LOC (13) Cl.** ..... **13-03**
- (52) **U.S. Cl.**  
USPC ..... **D13/156**
- (58) **Field of Classification Search**  
USPC ..... D13/120, 121, 123, 133, 154, 156, 158,  
D13/160, 173, 178, 184, 199  
CPC ..... H01R 13/424; H01R 13/436;  
H01R 13/4362; H01R 13/5213; H01R  
13/6392; H01R 43/205  
See application file for complete search history.

(56) **References Cited**

**U.S. PATENT DOCUMENTS**

D256,356 S	8/1980	Lazerson	
5,026,295 A *	6/1991	Fong .....	H01R 13/5213 439/135
5,183,971 A	2/1993	Lafosse et al.	

*Primary Examiner* — Jennifer O King  
(74) *Attorney, Agent, or Firm* — Calfee Halter &  
Griswold LLP

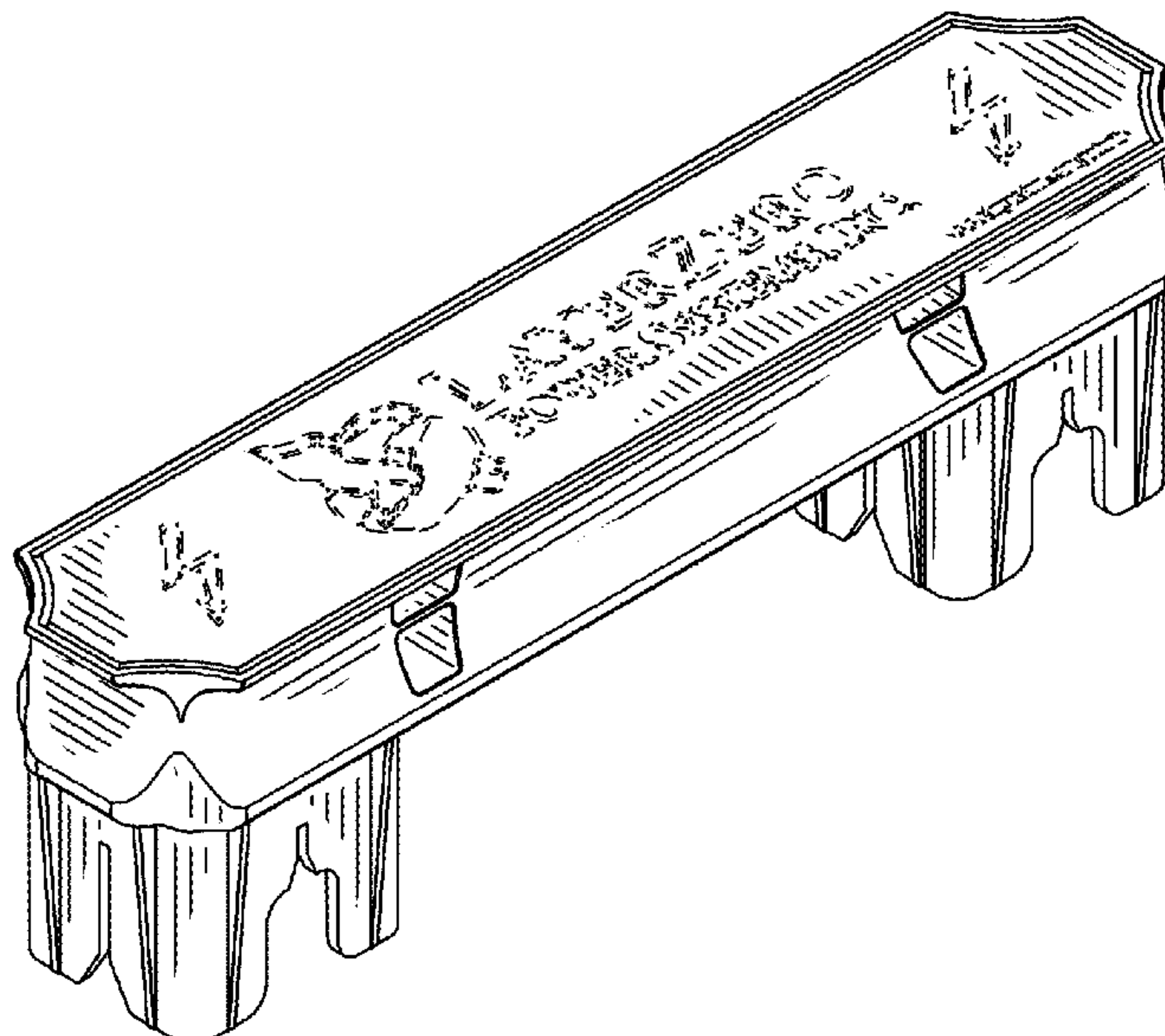
(57) **CLAIM**

We claim the ornamental design for a cover, as shown and described.

**DESCRIPTION**

FIG. 1 is a front/left/top perspective view of a first cover; FIG. 2 is a rear/right/bottom perspective view thereof (bottom/left/top perspective view would be a mirror image thereof); FIG. 3 is a front elevational view thereof (a rear elevation view would be a mirror image thereof); FIG. 4 is a right side elevational view thereof (a left side elevational view would be a mirror image thereof); and FIG. 5 is a top plan view thereof; and, FIG. 6 is a bottom plan view thereof.  
The broken lines form no part of the claimed design.

**1 Claim, 3 Drawing Sheets**



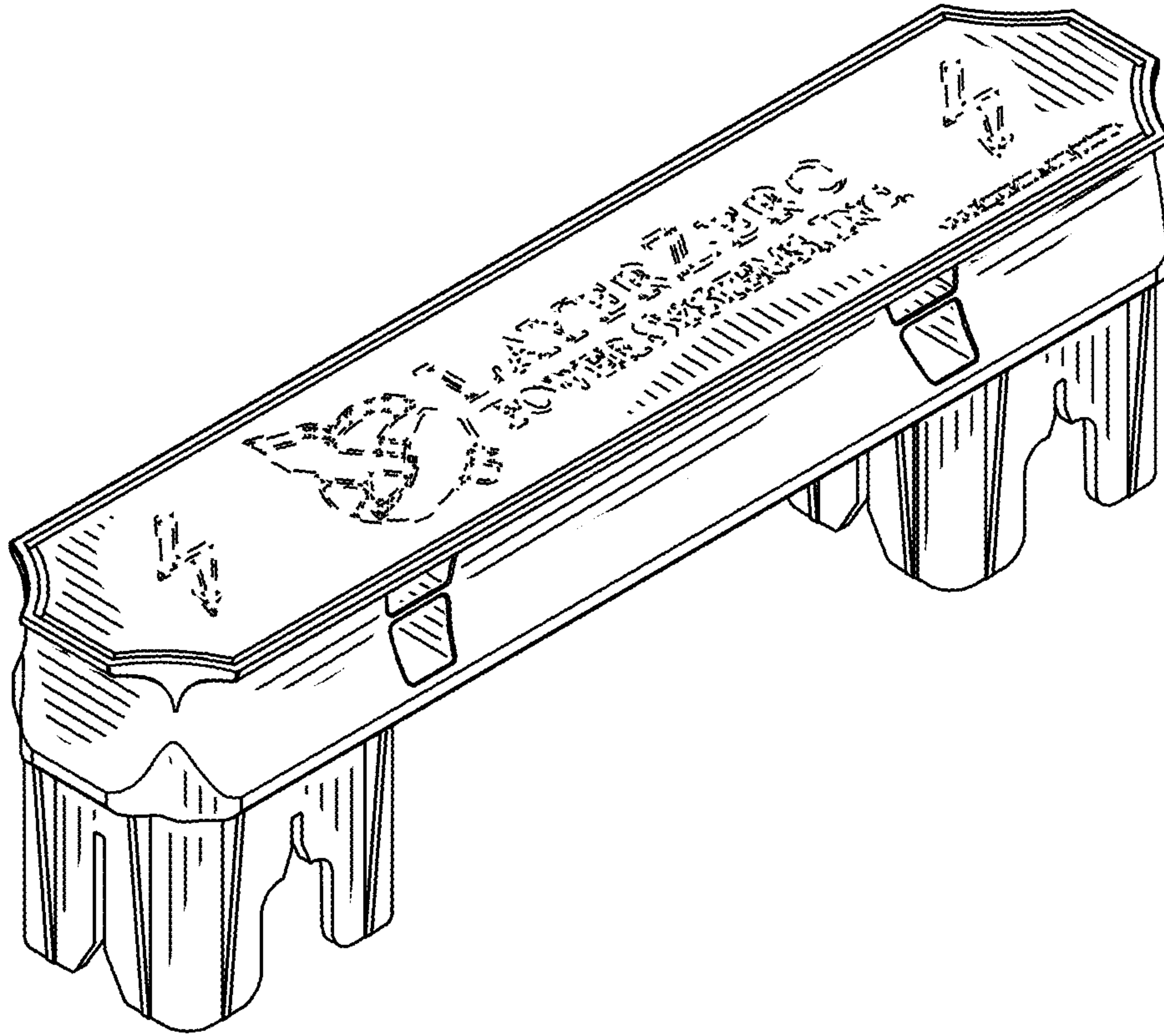


FIG. 1

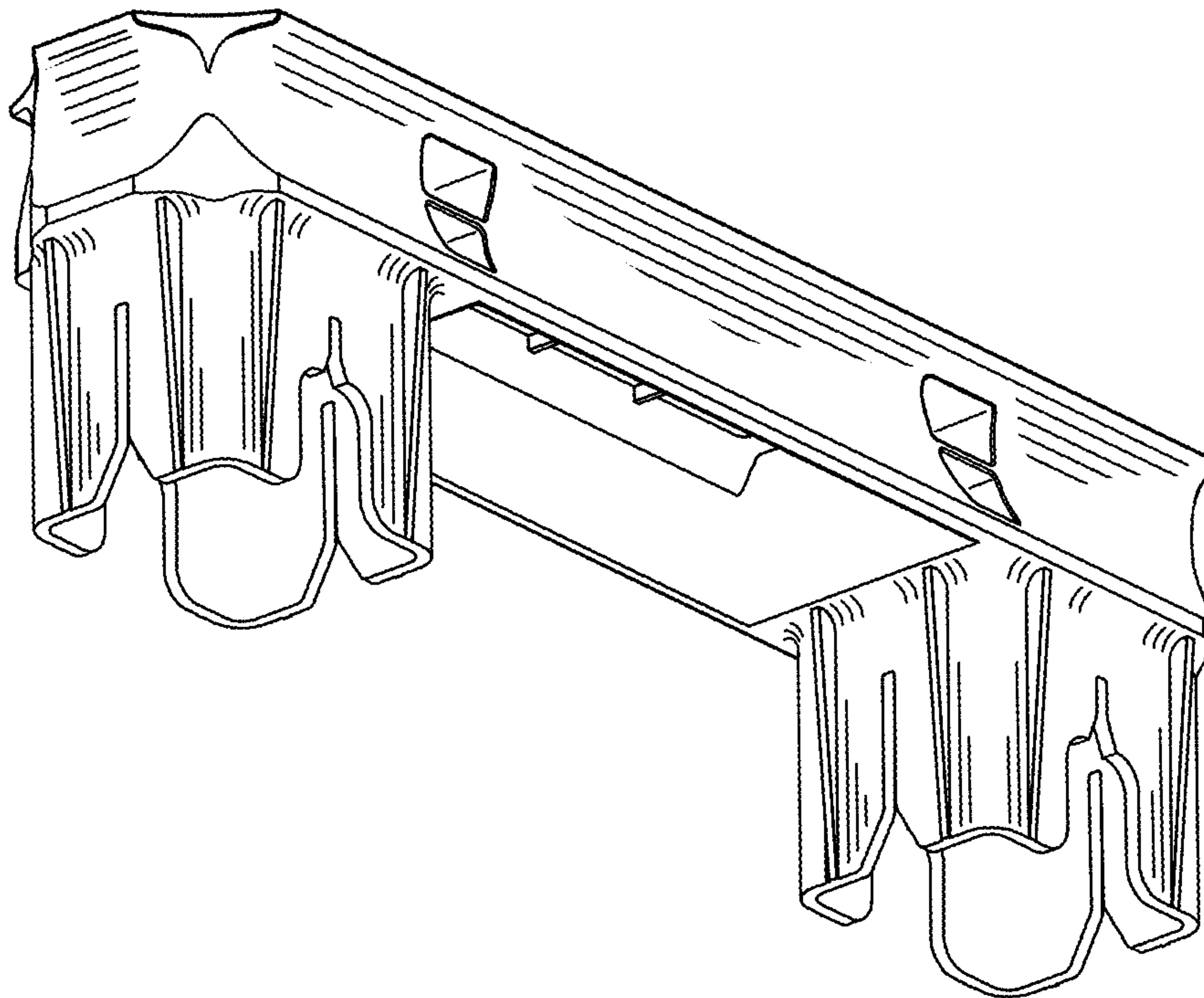


FIG. 2

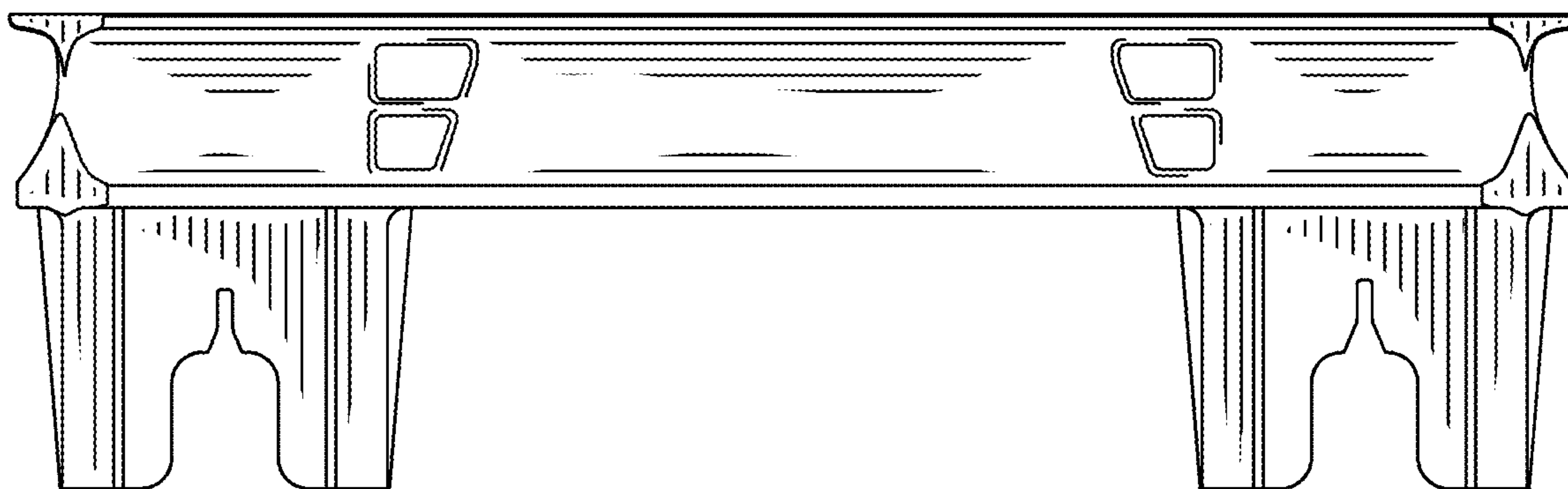


FIG. 3

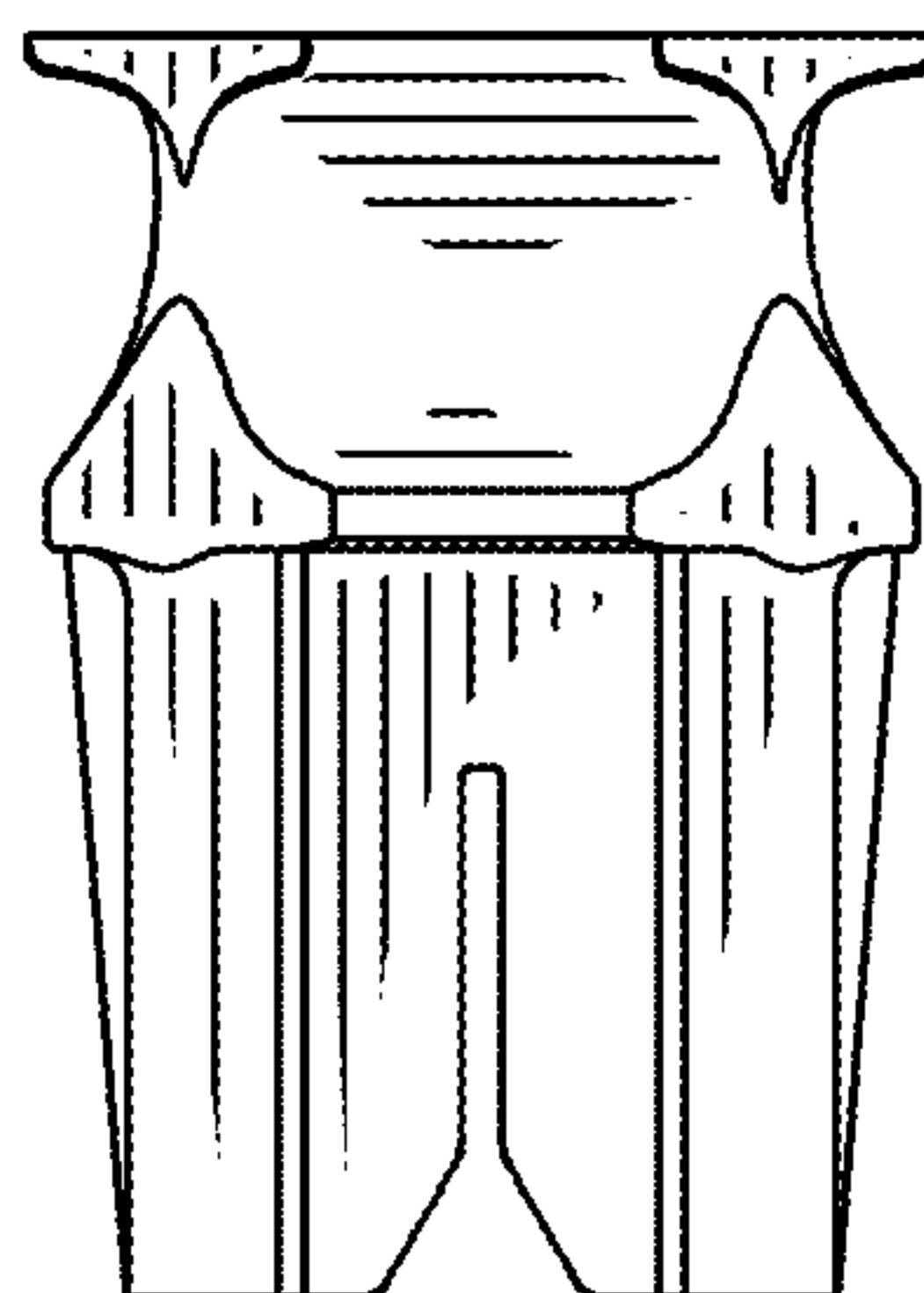


FIG. 4

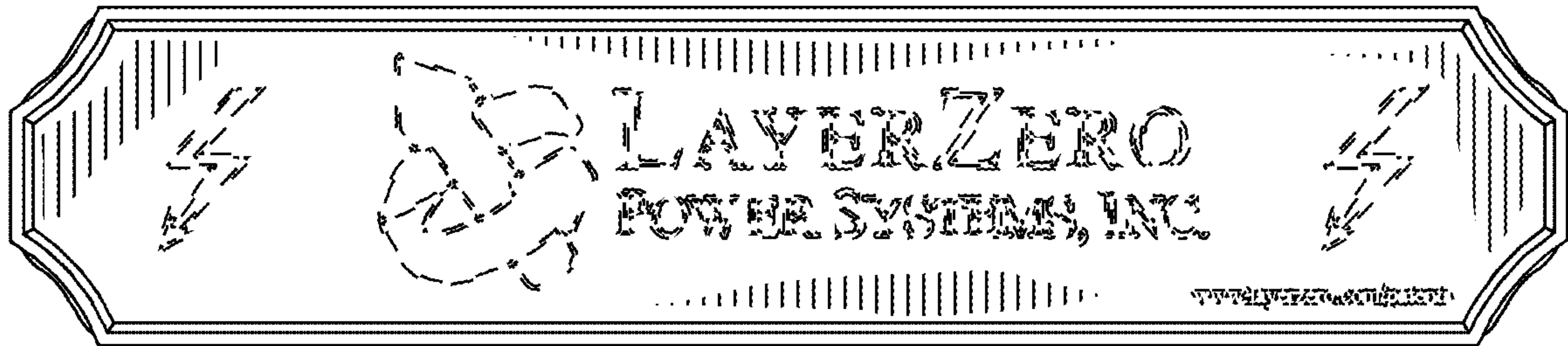


FIG. 5

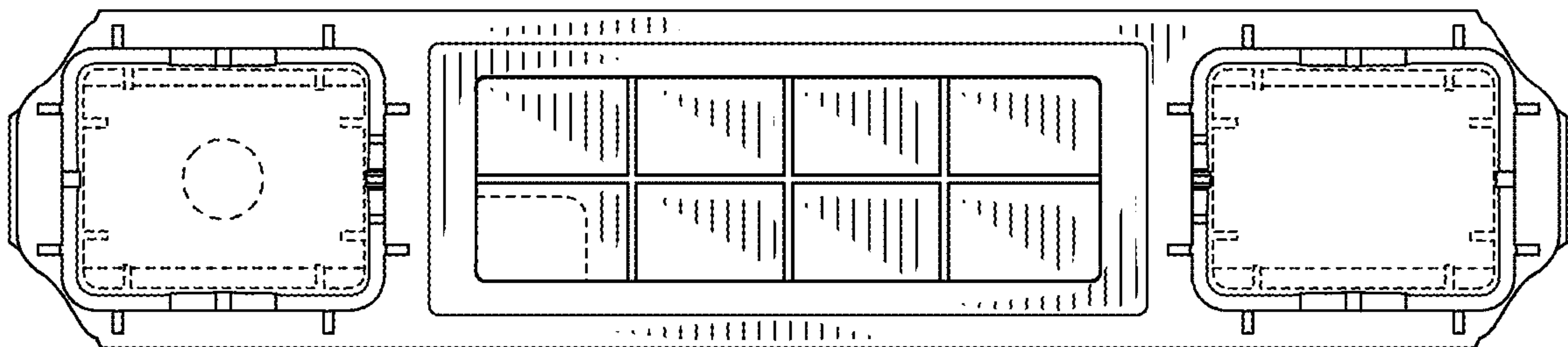


FIG. 6