



US00D913967S

(12) **United States Design Patent**
Endo et al.

(10) **Patent No.:** **US D913,967 S**
(45) **Date of Patent:** **** Mar. 23, 2021**

(54) **ELECTRICAL CONNECTOR COVER**

(71) Applicant: **Dai-ichi Seiko Co., Ltd.**, Kyoto (JP)

(72) Inventors: **Takayoshi Endo**, Shizuoka (JP); **Shuji Touno**, Shizuoka (JP); **Takumi Matsunaga**, Shizuoka (JP)

(73) Assignee: **Dai-ichi Seiko Co., Ltd.**, Kyoto (JP)

(**) Term: **15 Years**

(21) Appl. No.: **29/627,570**

(22) Filed: **Nov. 28, 2017**

(30) **Foreign Application Priority Data**

Jul. 20, 2017 (JP) 2017-015580

(51) **LOC (13) Cl.** **13-03**

(52) **U.S. Cl.**
USPC **D13/156**

(58) **Field of Classification Search**
USPC D13/156, 158, 120, 123, 154, 159, 173,
D13/184, 199; D21/504; D8/353
CPC H01R 13/5213; H01R 13/424; H01R
13/436; H01R 13/443
See application file for complete search history.

(56) **References Cited**

U.S. PATENT DOCUMENTS

- 3,112,148 A * 11/1963 Wochner H02G 15/113
439/521
- D232,346 S * 8/1974 Cali D8/353
- D286,767 S * 11/1986 Eriksson D13/120
- 4,643,512 A * 2/1987 Prodel H01R 9/03
439/412
- 5,183,971 A * 2/1993 Lafosse H02B 1/21
174/129 B
- 5,480,312 A * 1/1996 Watanabe H01R 13/443
439/135
- D411,984 S * 7/1999 Wu D13/156

- D463,378 S * 9/2002 Allada D13/159
- 7,128,601 B2 * 10/2006 Suemitsu H01R 13/567
439/521
- D558,683 S * 1/2008 Pape D13/158
- D593,498 S * 6/2009 Mase D13/154
- 7,799,991 B1 * 9/2010 Advvey H01R 13/5213
174/50
- D675,166 S * 1/2013 Hopper D13/156
- D724,028 S * 3/2015 Norman D13/123
- D758,321 S * 6/2016 Byrne D13/156

(Continued)

FOREIGN PATENT DOCUMENTS

JP 749480 11/1998

Primary Examiner — Jennifer O King

(74) *Attorney, Agent, or Firm* — K&L Gates LLP; Louis C. Cullman; Georgia N. Kefallinos

(57) **CLAIM**

The ornamental design for an electrical connector cover, as shown and described.

DESCRIPTION

FIG. 1 is a front view of an electrical connector cover of our design.

FIG. 2 is a rear view of the electrical connector cover of FIG. 1.

FIG. 3 is a first side view of the electrical connector cover of FIG. 1.

FIG. 4 is a second side view of the electrical connector cover of FIG. 1.

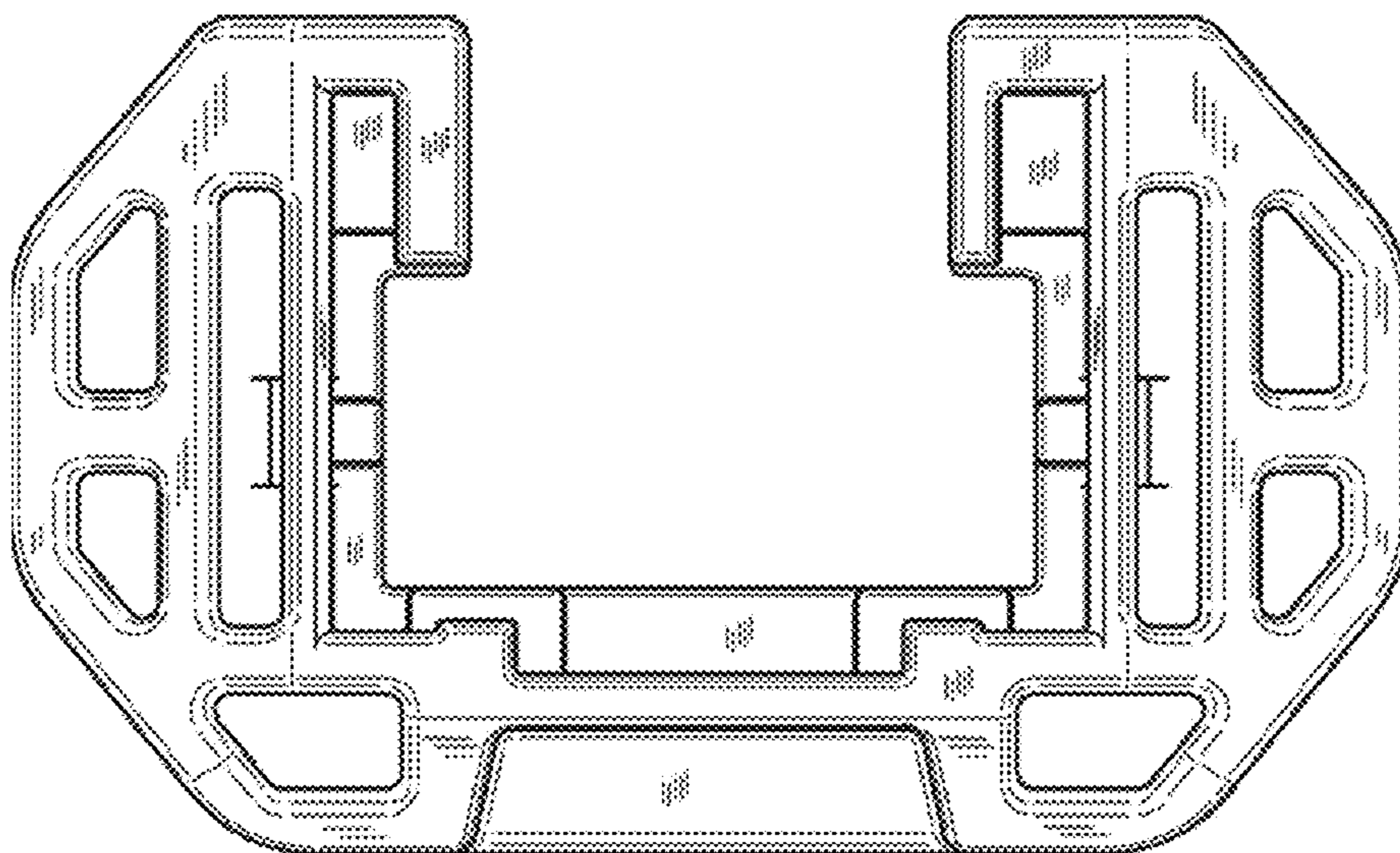
FIG. 5 is a top view of the electrical connector cover of FIG. 1.

FIG. 6 is a bottom view of the electrical connector cover of FIG. 1.

FIG. 7 is a front perspective view of electrical connector cover of FIG. 1; and,

FIG. 8 is a rear perspective view of the electrical connector cover of FIG. 1.

1 Claim, 8 Drawing Sheets



(56)

References Cited

U.S. PATENT DOCUMENTS

D771,574 S * 11/2016 Hultquist D13/156
D772,815 S * 11/2016 Chen D13/118
D773,394 S * 12/2016 Marinelli D13/110
D797,204 S * 9/2017 Liu D21/504
10,151,890 B2 * 12/2018 Lipke G02B 6/3895
10,153,582 B2 * 12/2018 Sato H01R 13/58

* cited by examiner

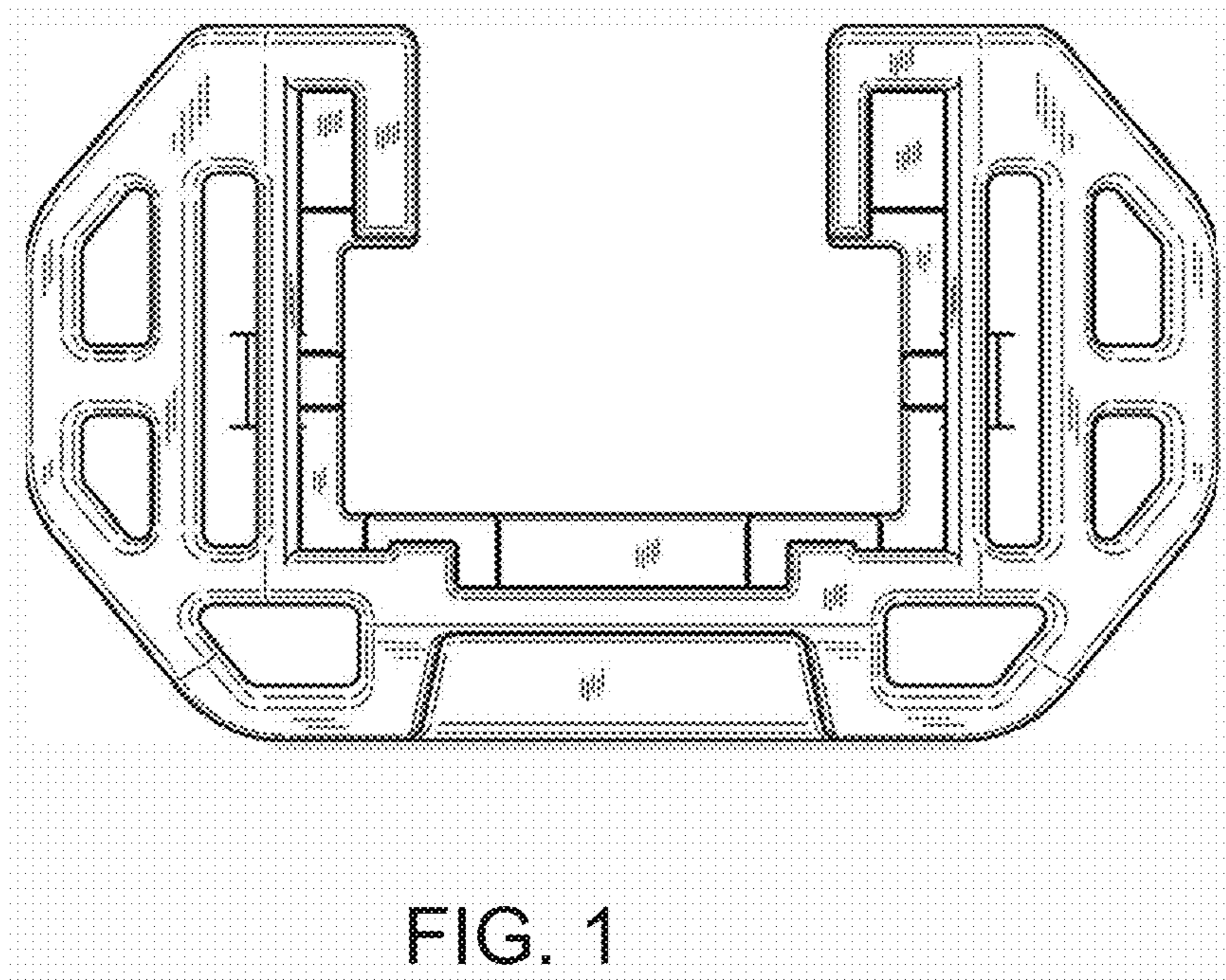
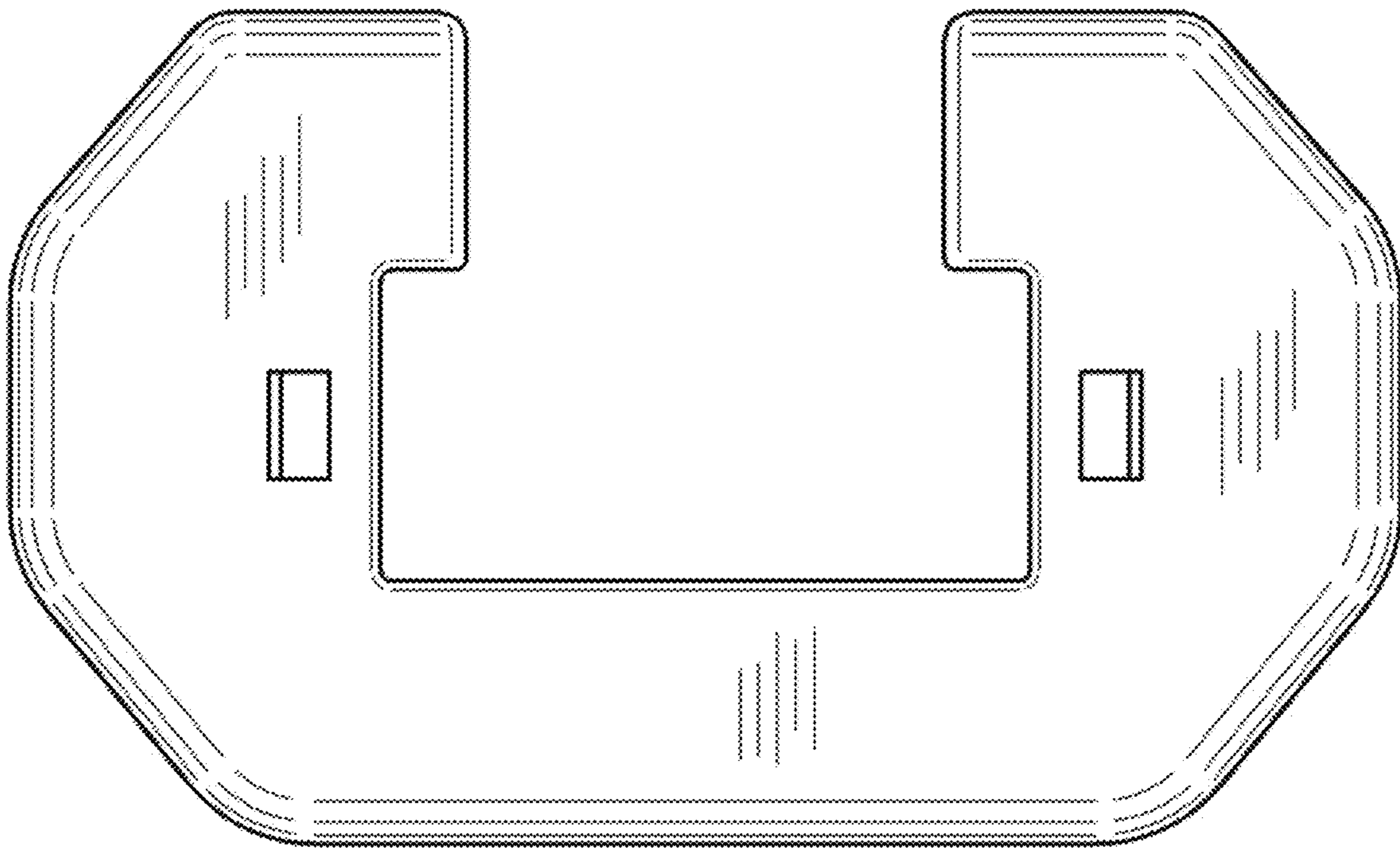


FIG. 1

FIG. 2



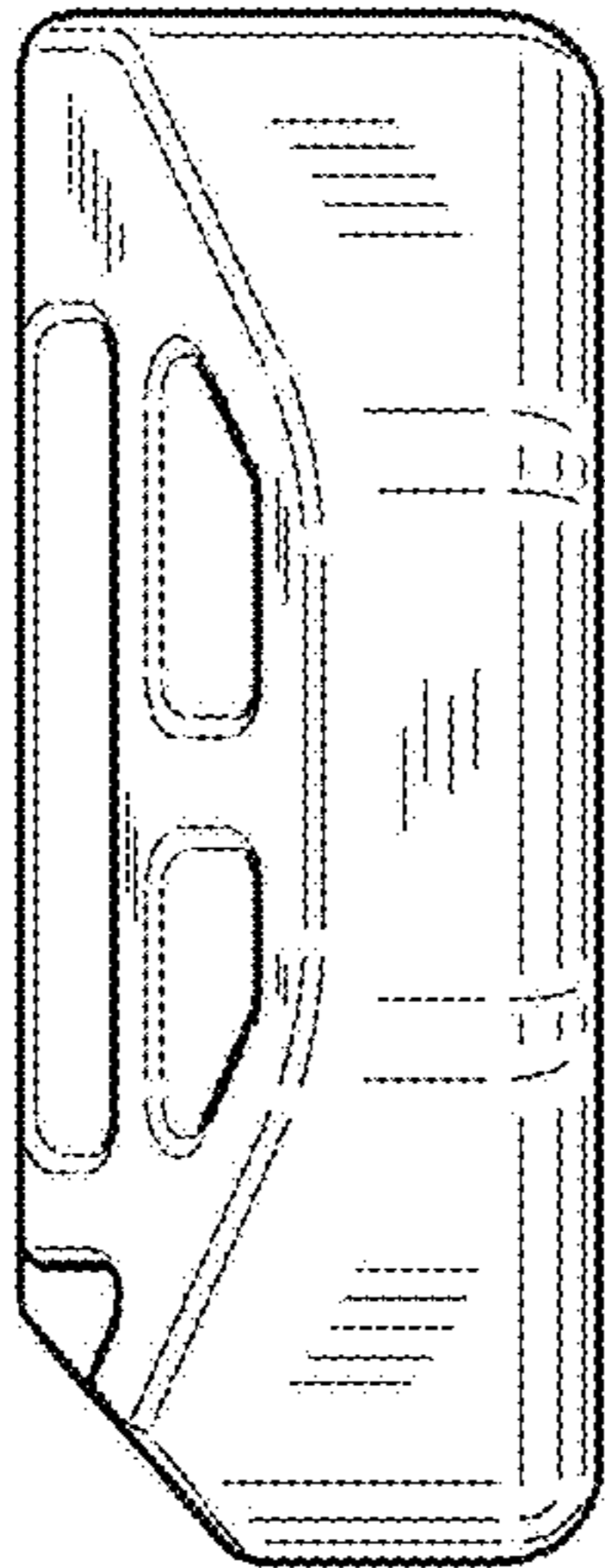


FIG. 3

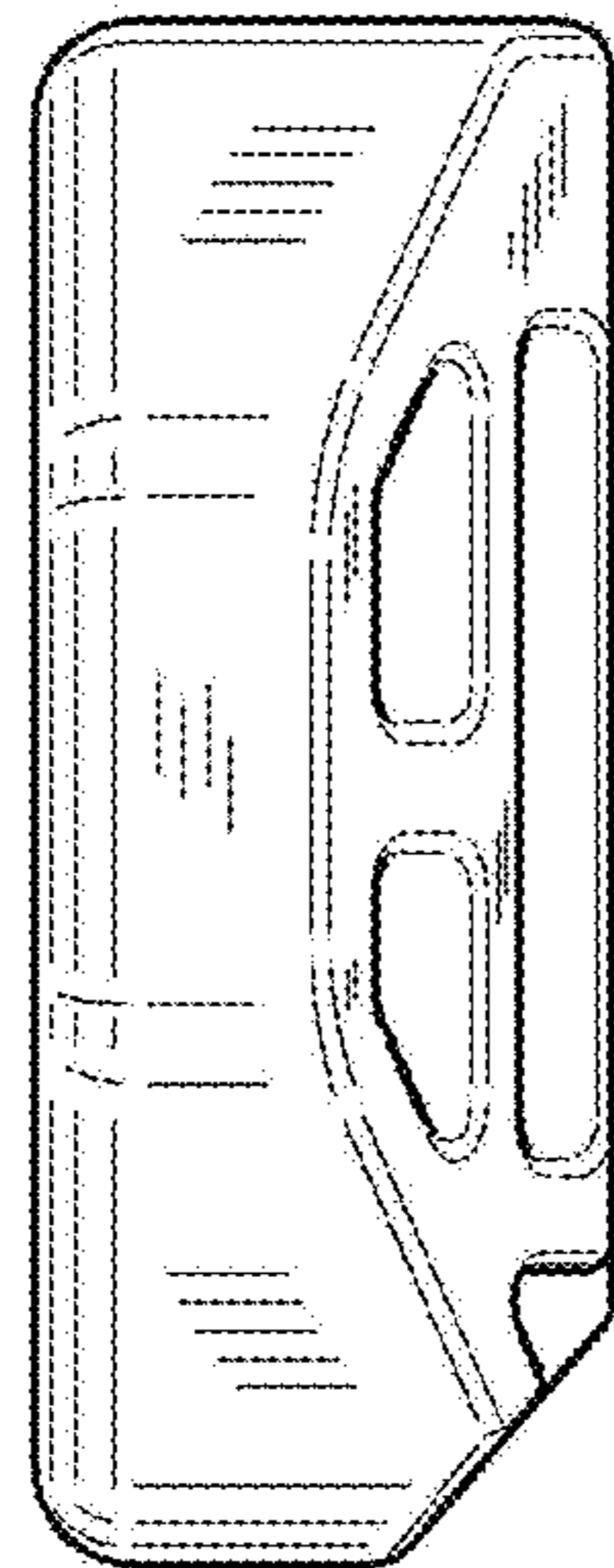


FIG. 4

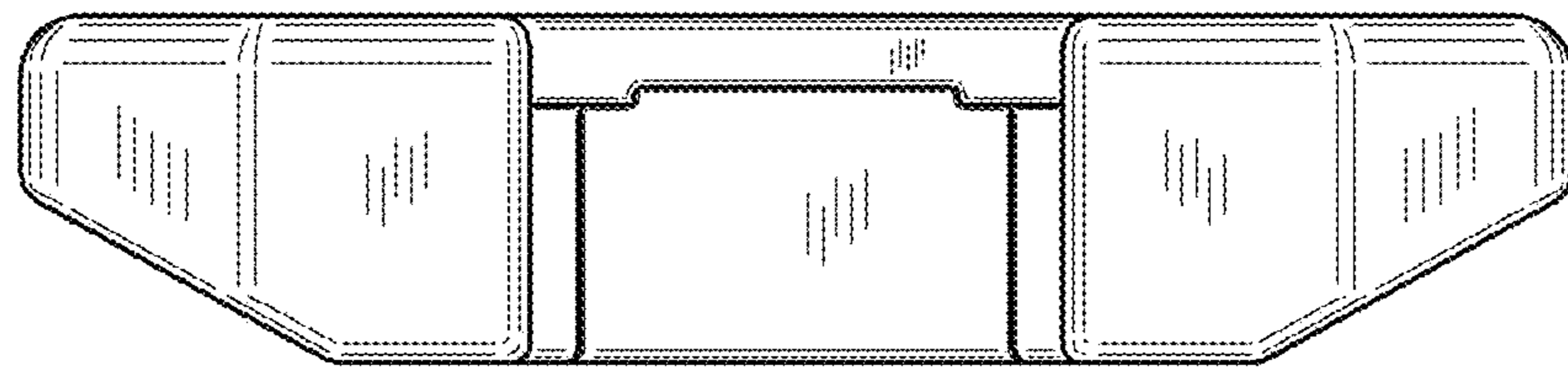


FIG. 5

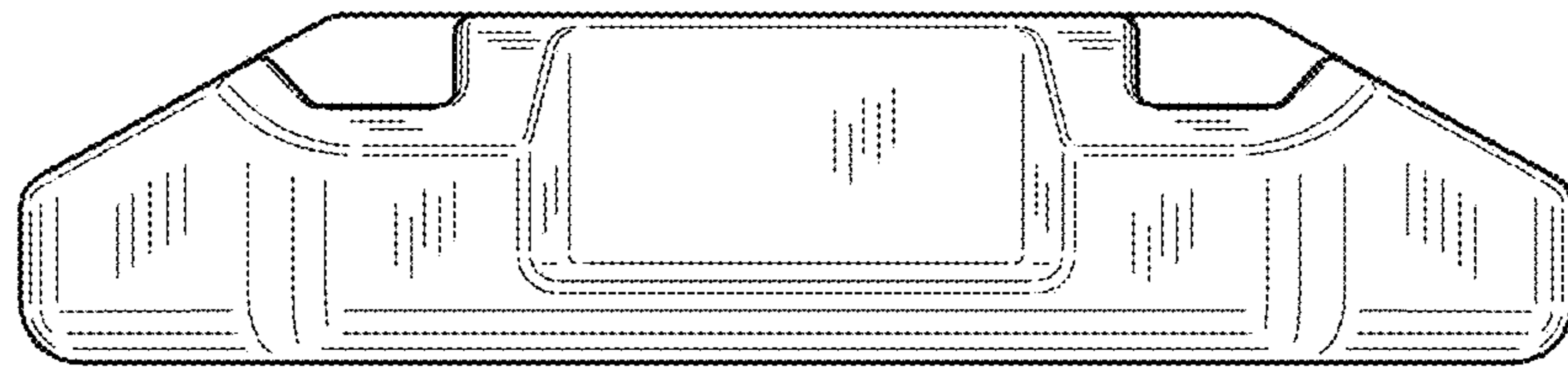


FIG. 6

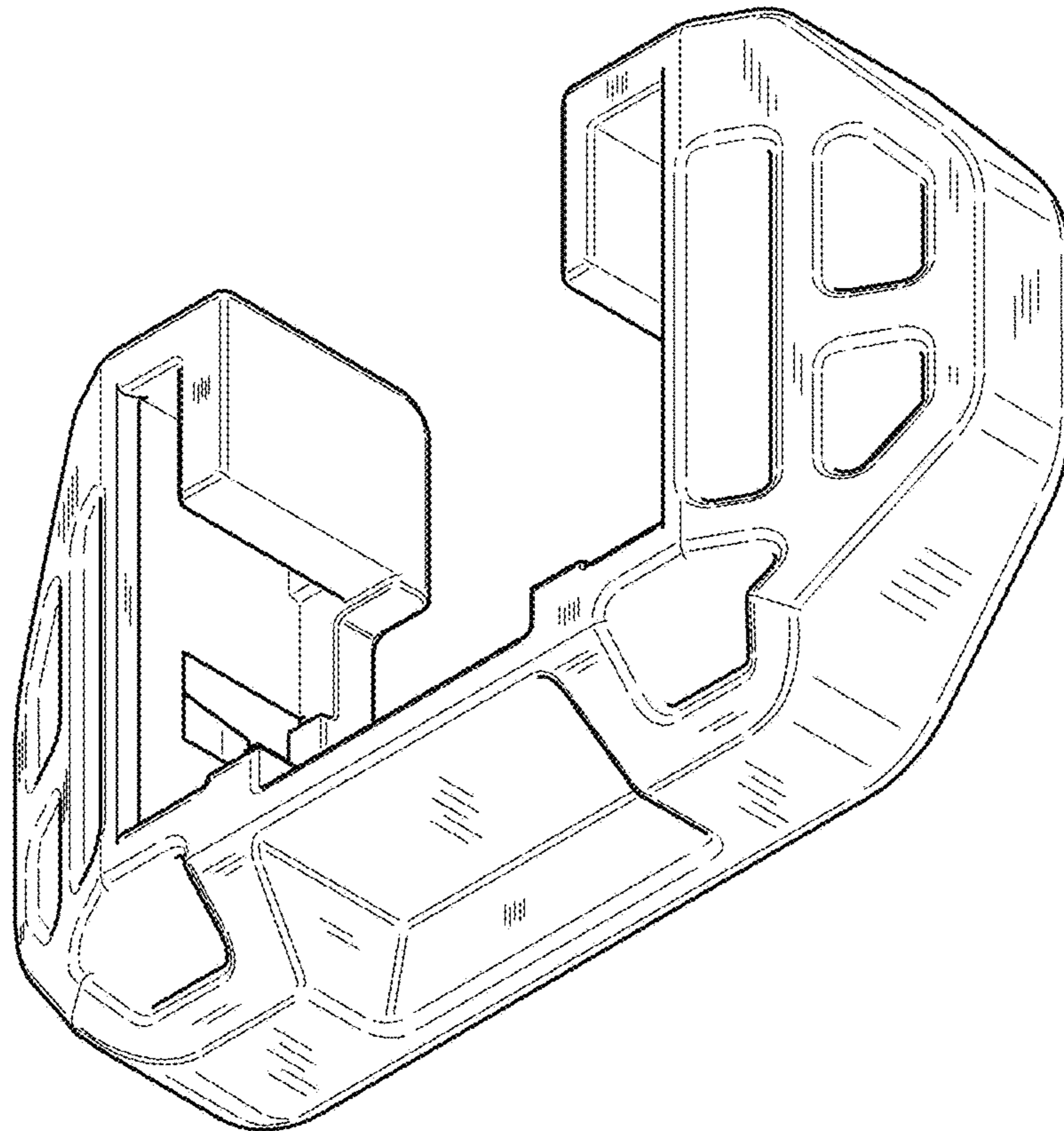


FIG. 7

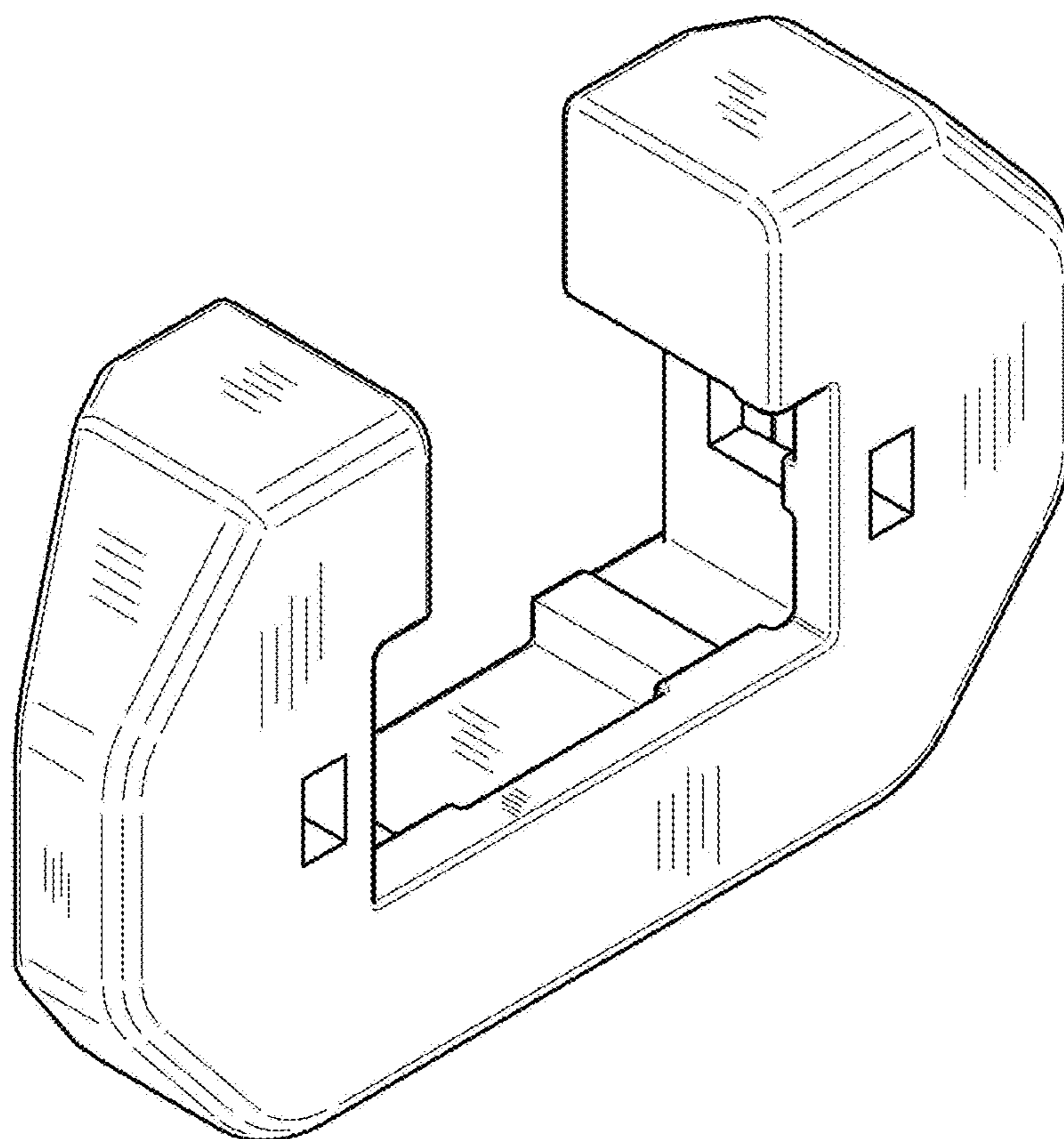


FIG. 8