



US00D913966S

(12) **United States Design Patent** (10) **Patent No.:** **US D913,966 S**
Smith (45) **Date of Patent:** **** Mar. 23, 2021**

(54) **DUST CAP FOR FIBER OPTIC ADAPTERS**

2007/0217749 A1* 9/2007 Jong G02B 6/3849
385/88

(71) Applicant: **Jack William Smith**, East Gull Lake,
MN (US)

* cited by examiner

(72) Inventor: **Jack William Smith**, East Gull Lake,
MN (US)

Primary Examiner — Jennifer O King

(**) Term: **15 Years**

(57) **CLAIM**

The ornamental design for dust cap for fiber optic adapters,
as shown and described.

(21) Appl. No.: **29/627,297**

DESCRIPTION

(22) Filed: **Nov. 25, 2017**

(51) **LOC (13) Cl.** **13-03**

(52) **U.S. Cl.**
USPC **D13/156**

(58) **Field of Classification Search**
USPC 385/49; 359/511, 513; 439/148;
D13/155, 153, 133, 156, 139.4, 139.1,
D13/108, 147, 154, 199
CPC G02B 6/3849; H01R 13/5213
See application file for complete search history.

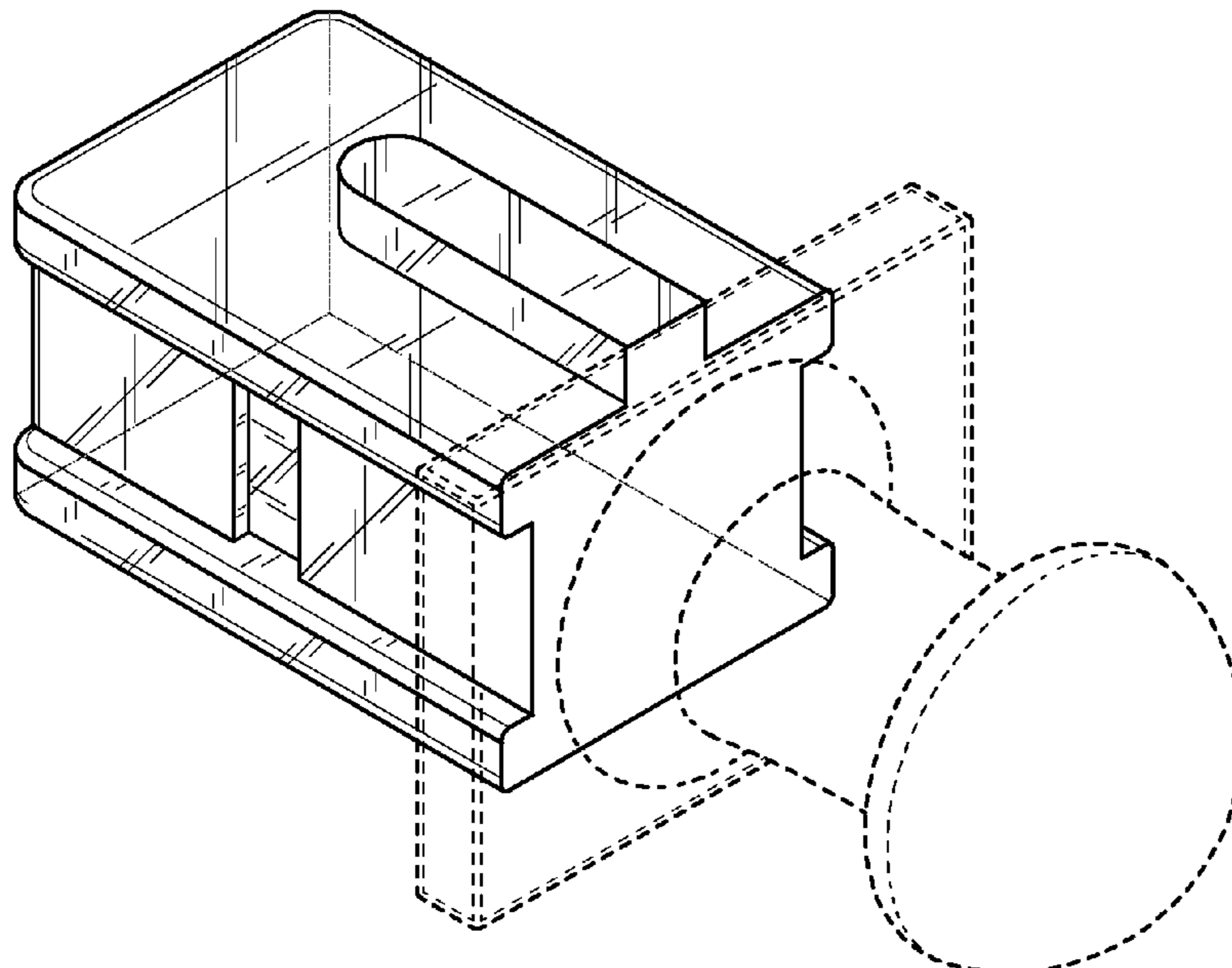
FIG. 1 is a perspective view of a dust cap for fiber optic adapters according to one embodiment of my new design; FIG. 2 is a front elevation view thereof; FIG. 3 is a back elevation view thereof; FIG. 4 is a left side elevation view thereof; FIG. 5 is a right side elevation view thereof; FIG. 6 is a top plan view thereof; FIG. 7 is a bottom plan view thereof; FIG. 8 is a center section view thereof, taken from FIG. 4; and FIG. 9 is a another section view thereof, taken from FIG. 6. FIG. 10 is a perspective view of a second embodiment of a dust cap for fiber optic adapters; FIG. 11 is a front elevation view thereof; FIG. 12 is a back elevation view thereof; FIG. 13 is a left side elevation view thereof; FIG. 14 is a right side elevation view thereof; FIG. 15 is a top plan view thereof; FIG. 16 is a bottom plan view thereof; FIG. 17 is a center section view thereof, taken from FIG. 13; and, FIG. 18 is another section view thereof, taken from FIG. 15. The broken lines shown represent portions of the dust cap for fiber optic adapters that form no part of the claimed design.

(56) **References Cited**

U.S. PATENT DOCUMENTS

- 6,247,849 B1* 6/2001 Liu G02B 6/3849
385/55
- D459,318 S * 6/2002 Theuerkorn D13/199
- 6,398,422 B1* 6/2002 Szilagyi G02B 6/3849
385/76
- 7,315,682 B1* 1/2008 En Lin G02B 6/3849
385/139
- D572,661 S * 7/2008 En Lin D13/133
- D675,508 S * 2/2013 Hirano D8/382
- 8,690,459 B2* 4/2014 Lin G02B 6/3849
385/92
- 9,453,963 B2* 9/2016 Sato G02B 6/241
- D772,170 S * 11/2016 Watanabe D13/156
- 2003/0002837 A1* 1/2003 Chan G02B 6/42
385/134

1 Claim, 18 Drawing Sheets



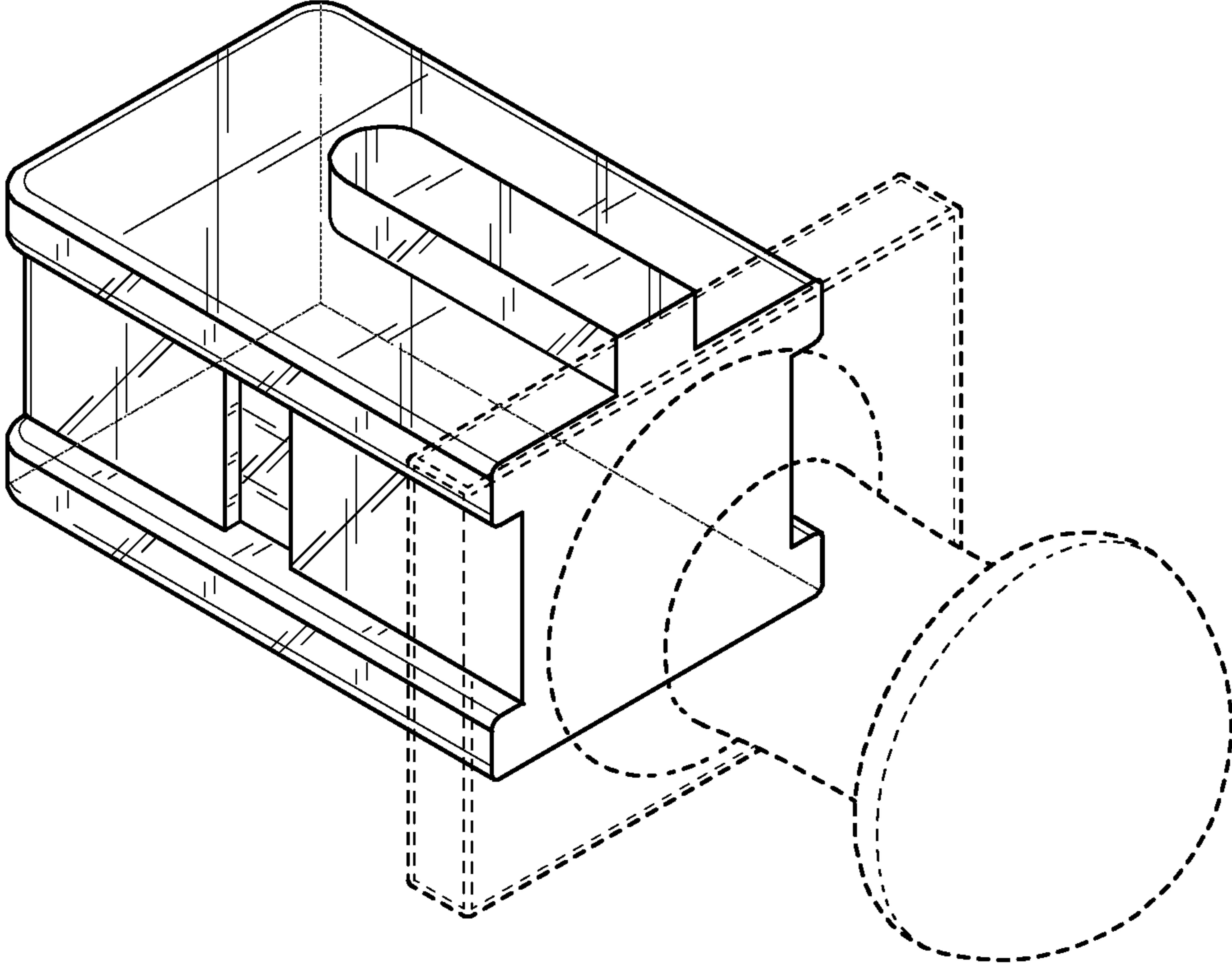


FIG. 1

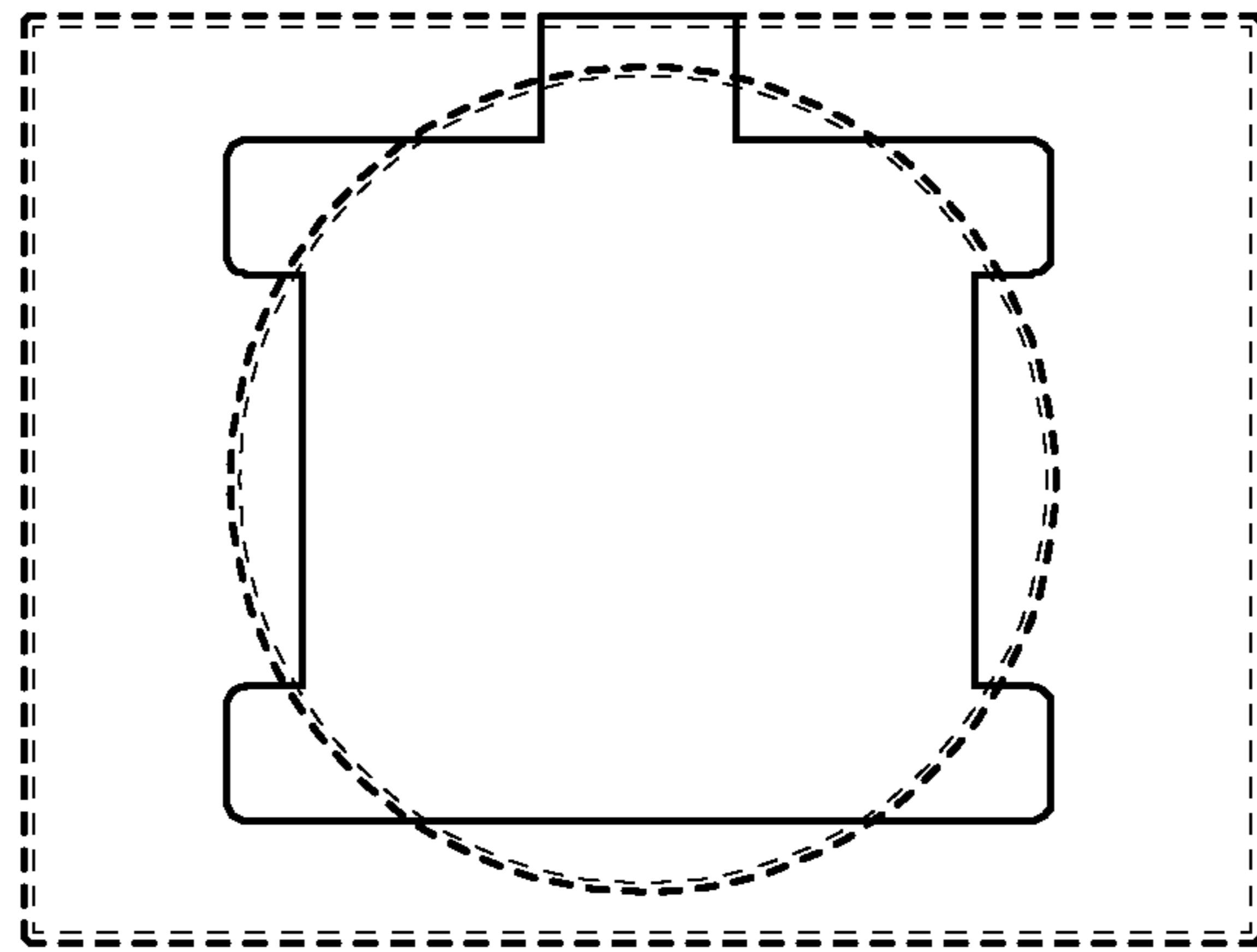


FIG. 2

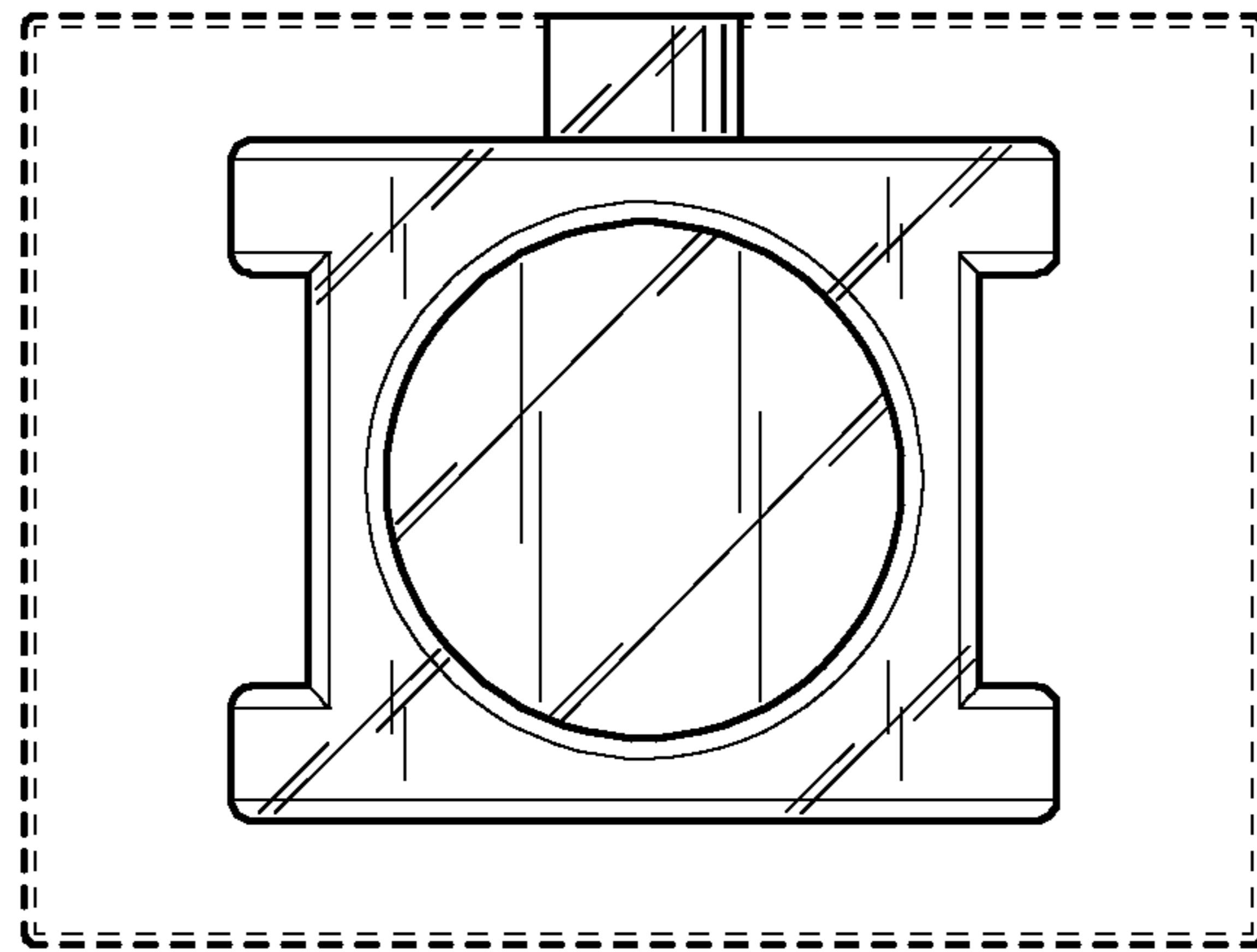


FIG. 3

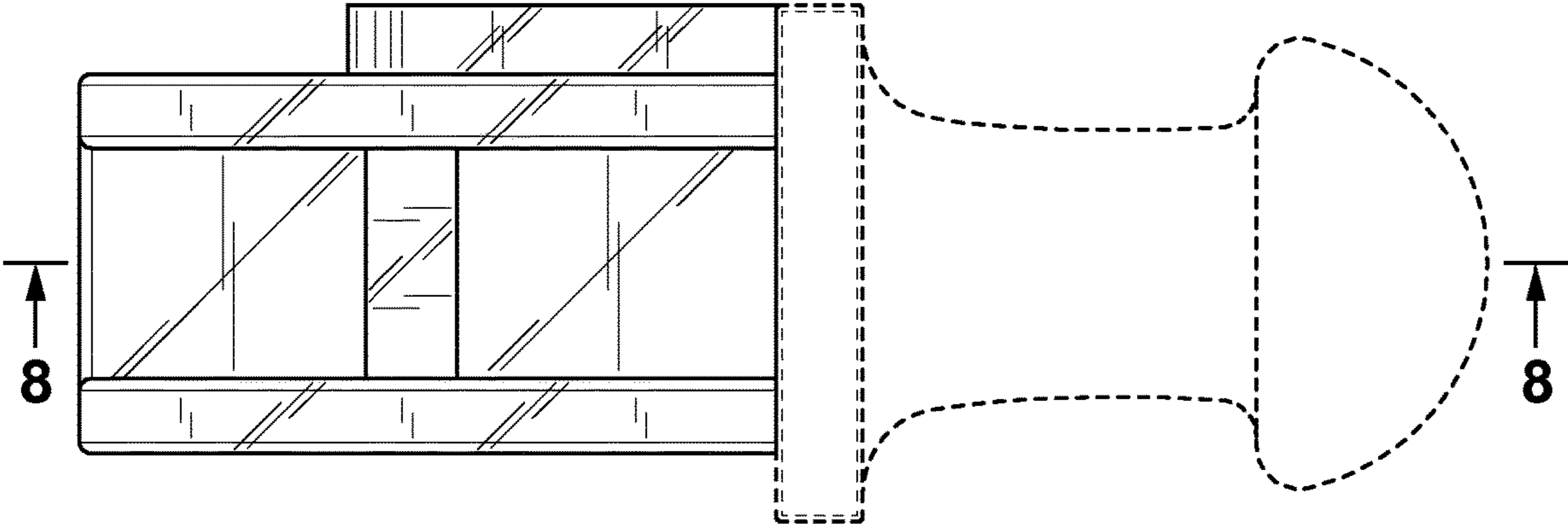


FIG. 4

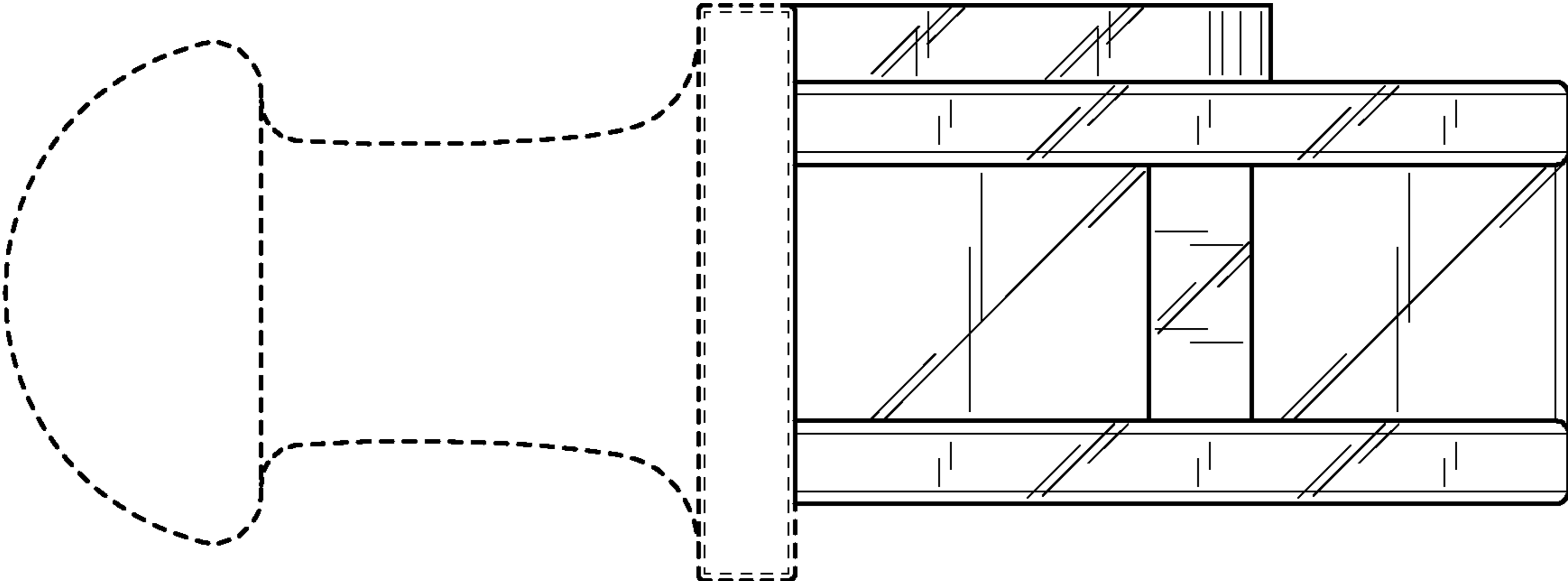


FIG. 5

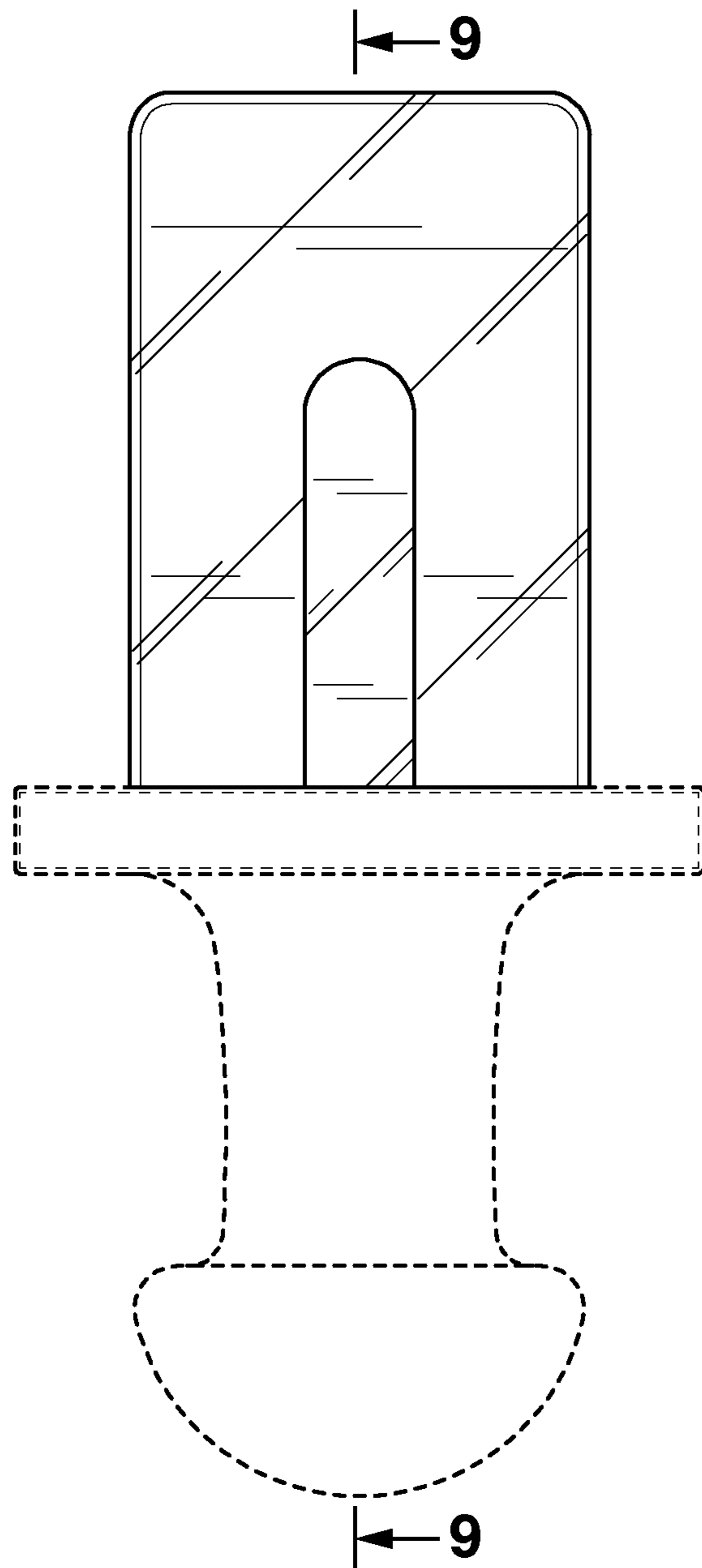


FIG. 6

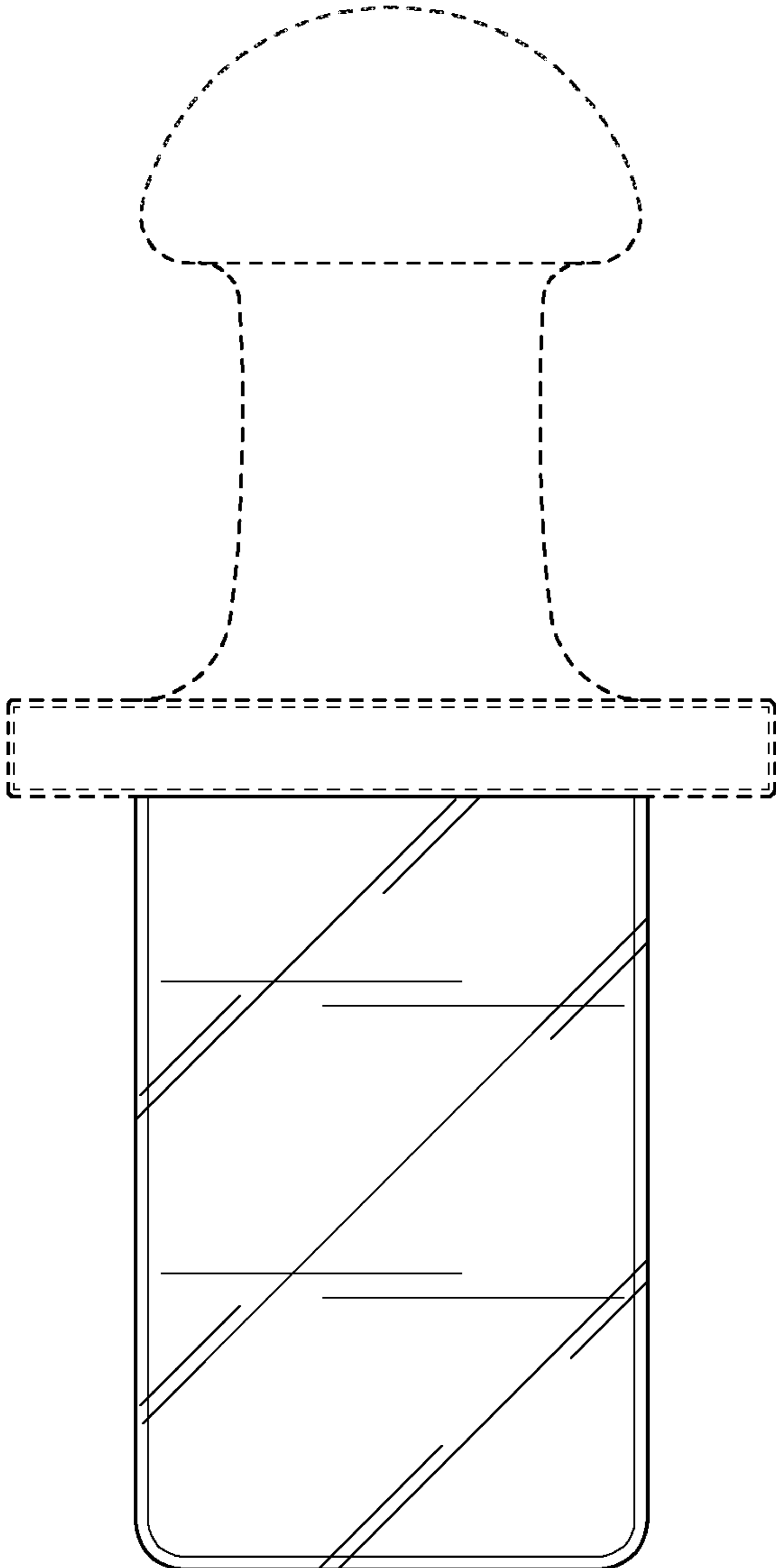


FIG. 7

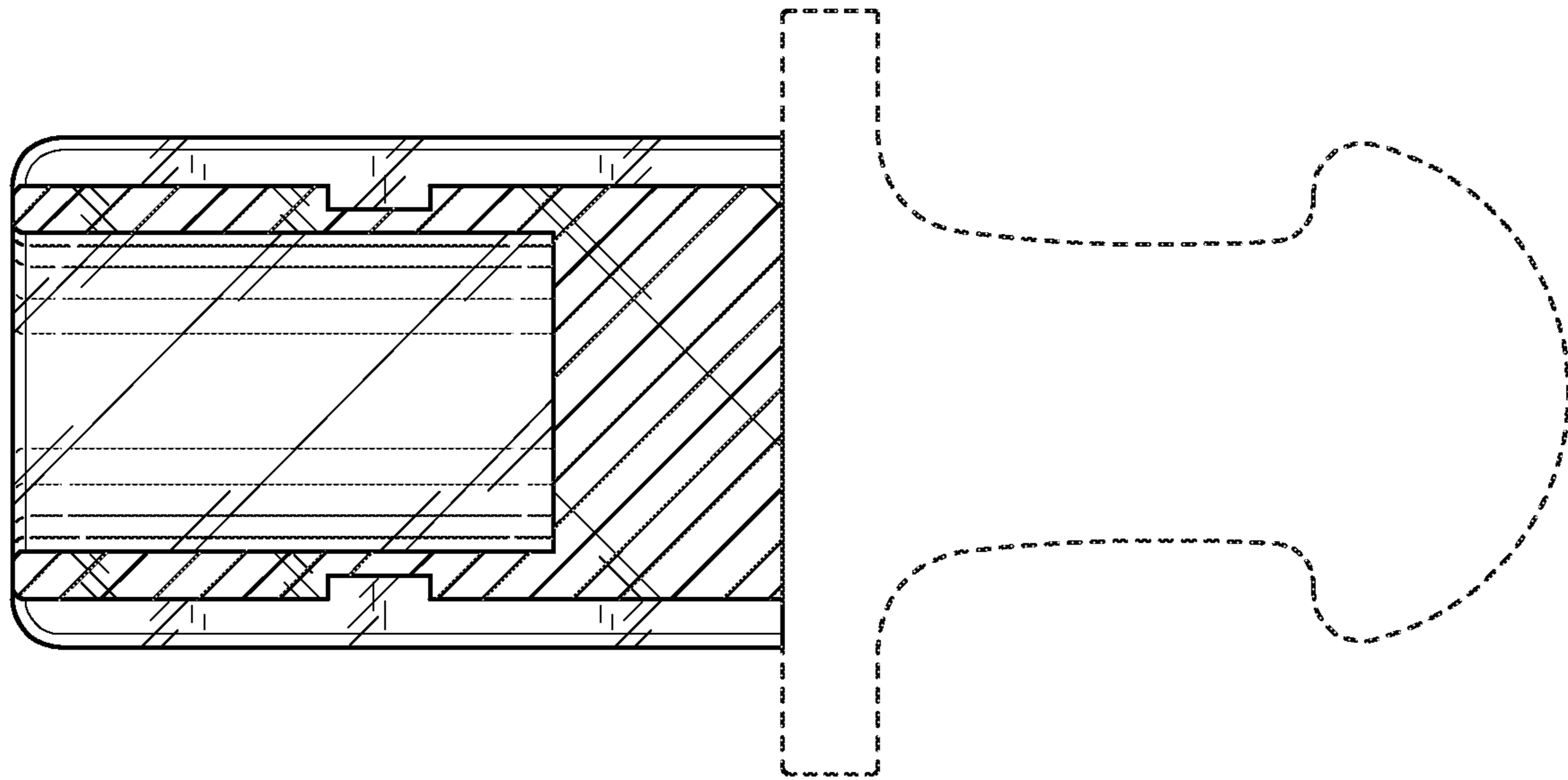


FIG. 8

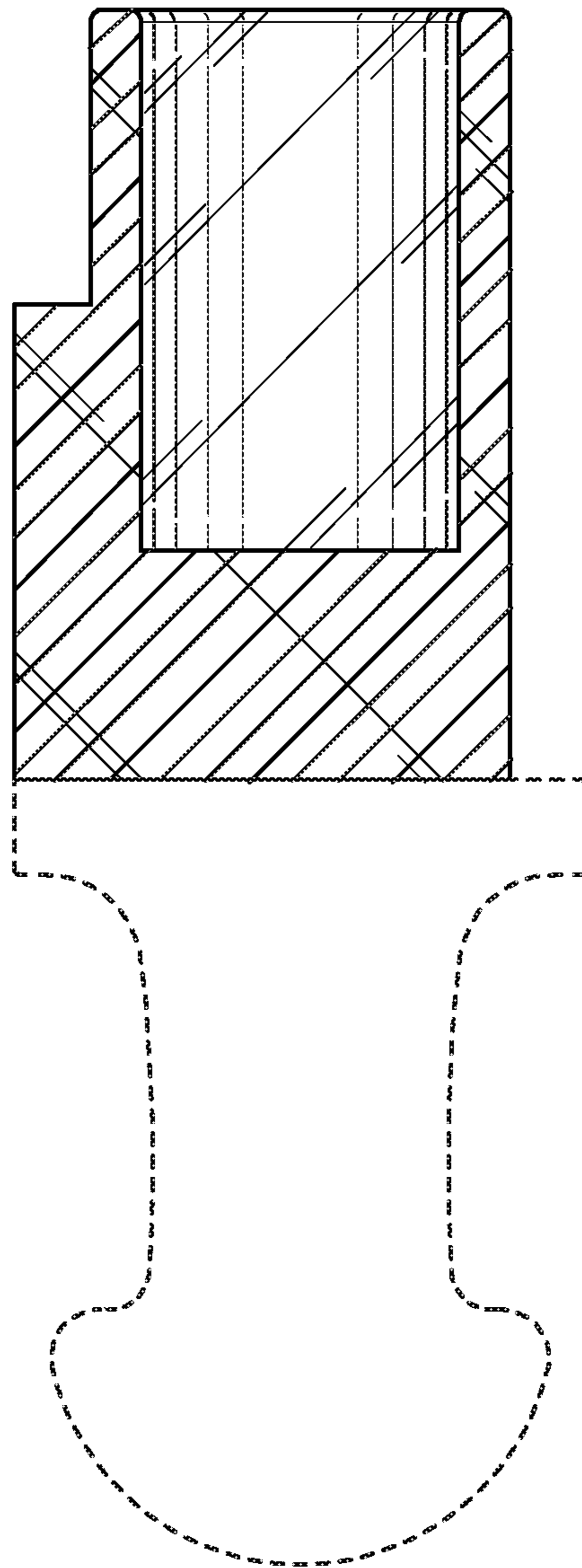


FIG. 9

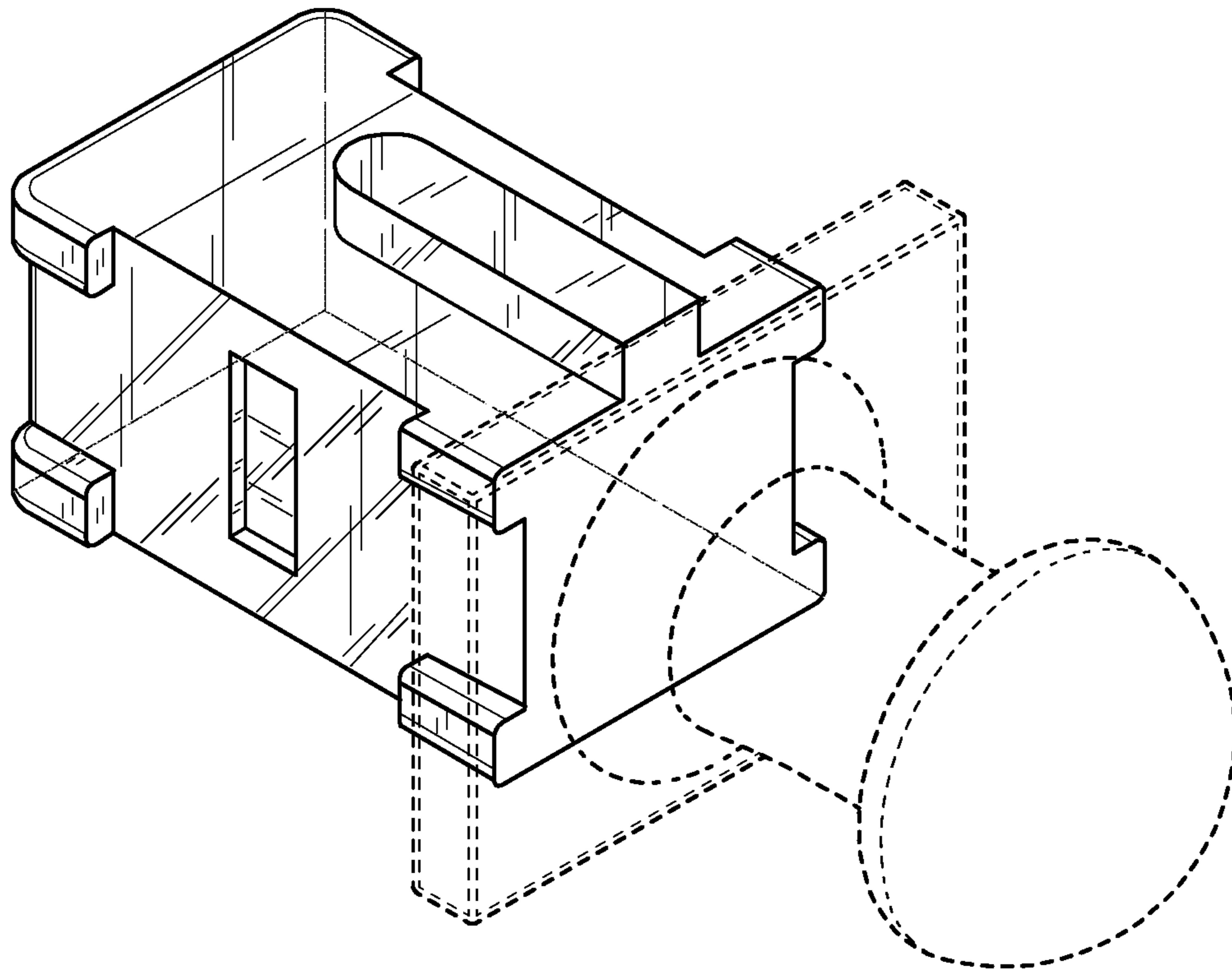


FIG. 10

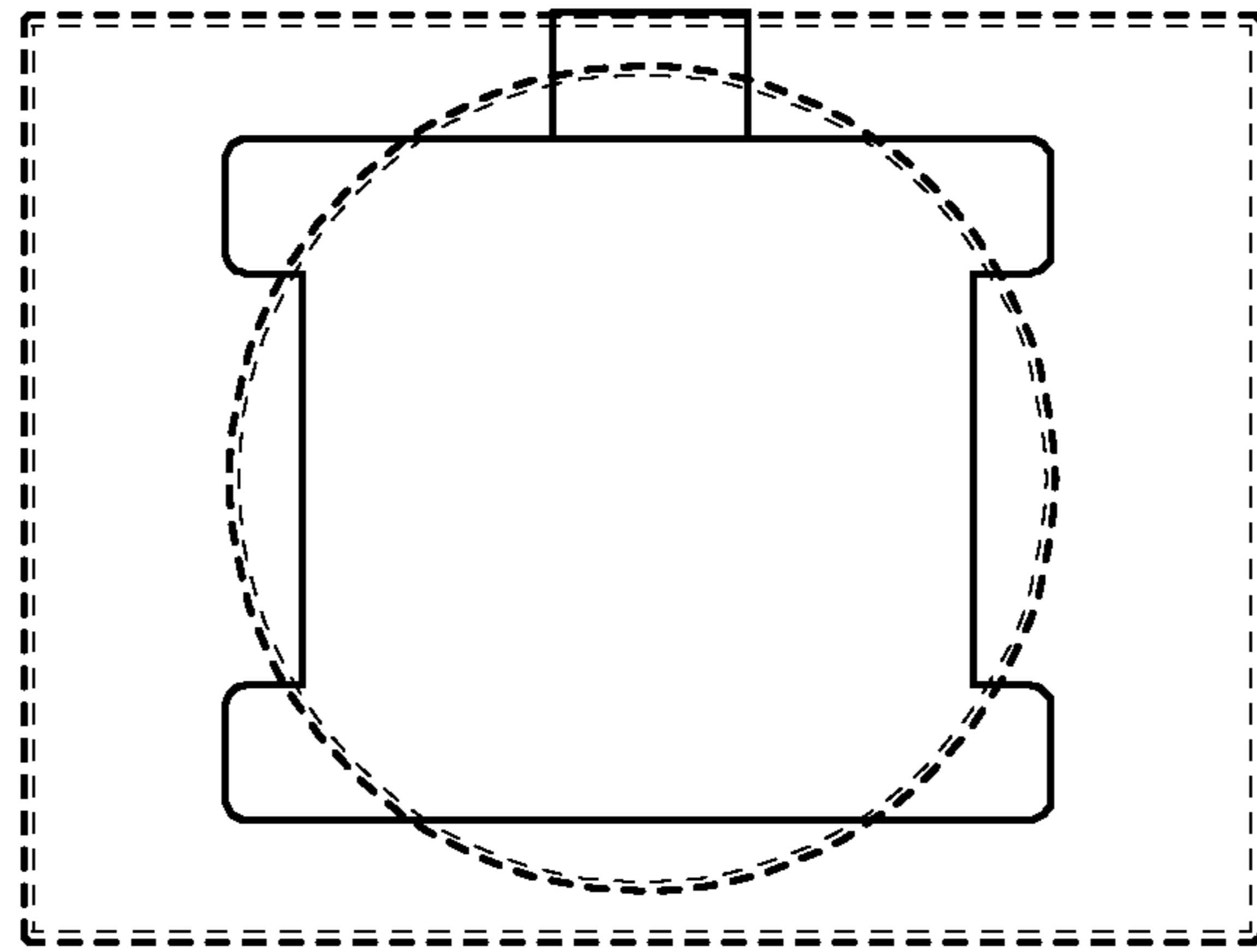


FIG. 11

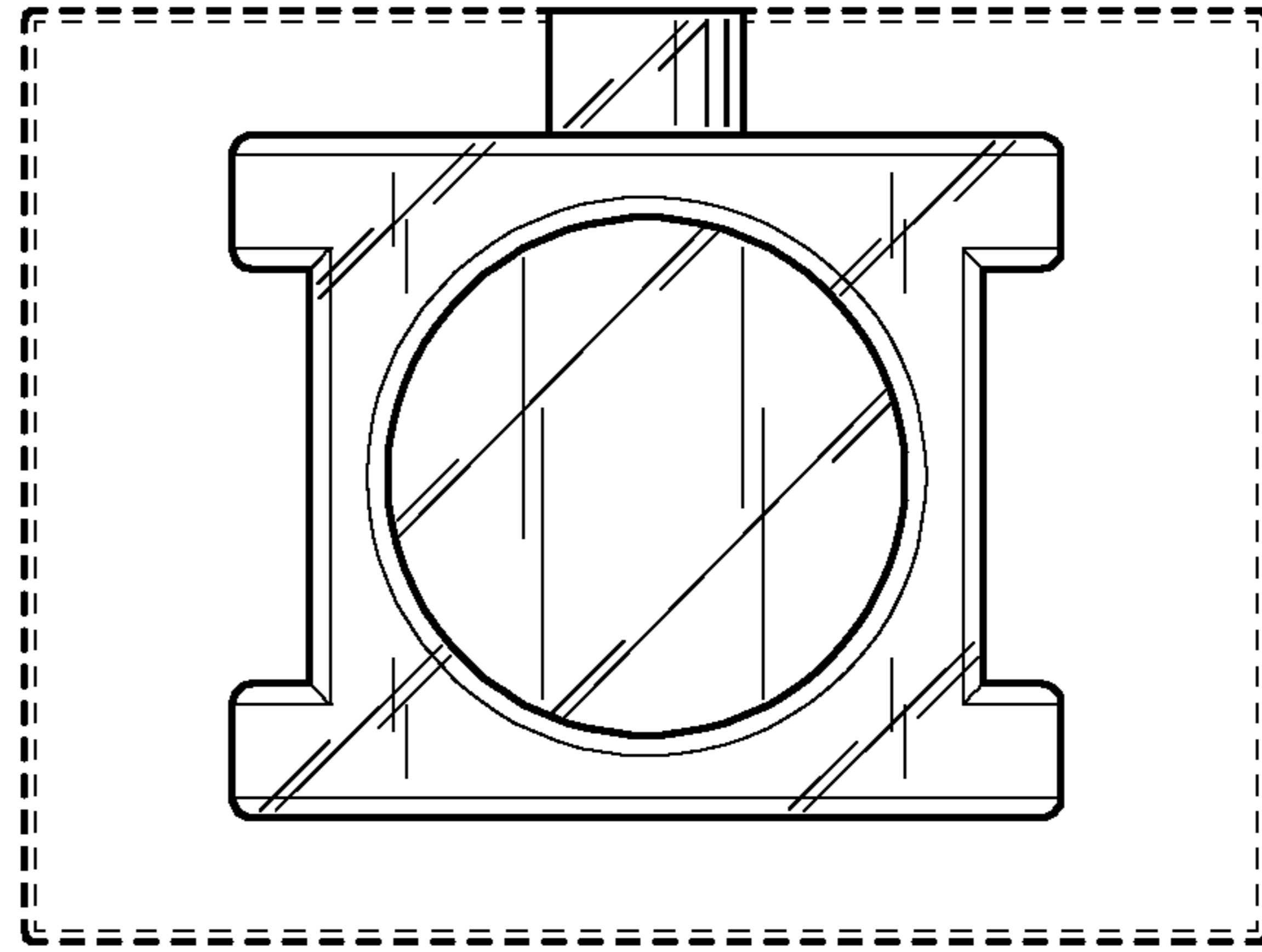


FIG. 12

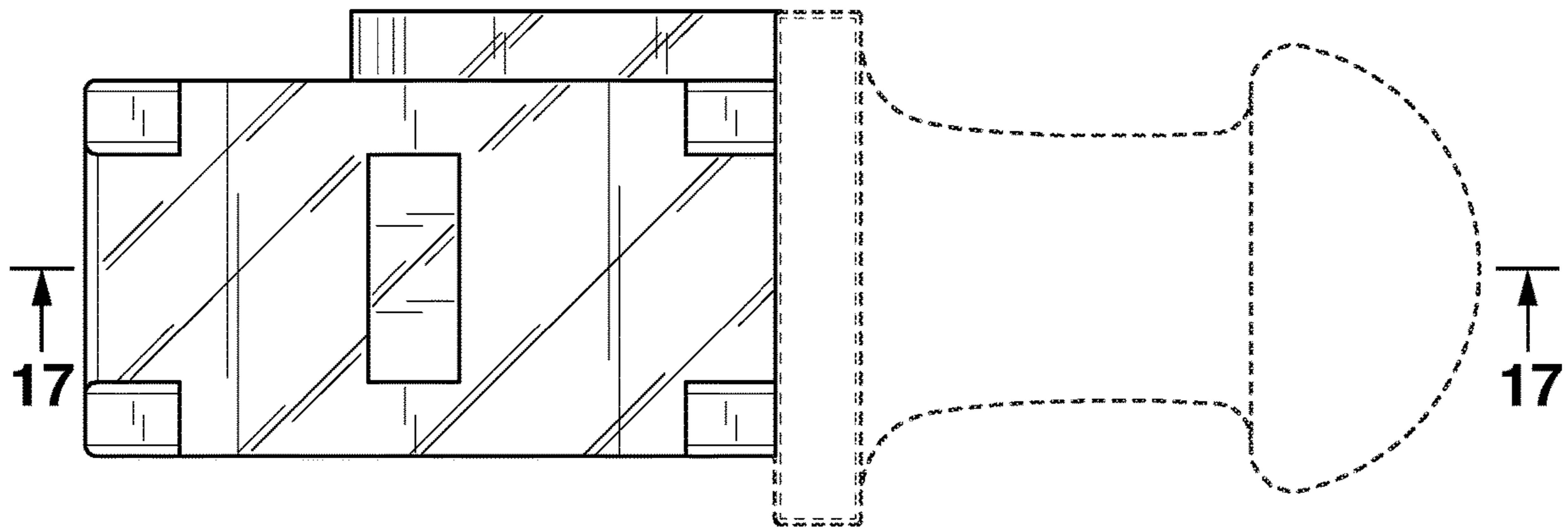


FIG. 13

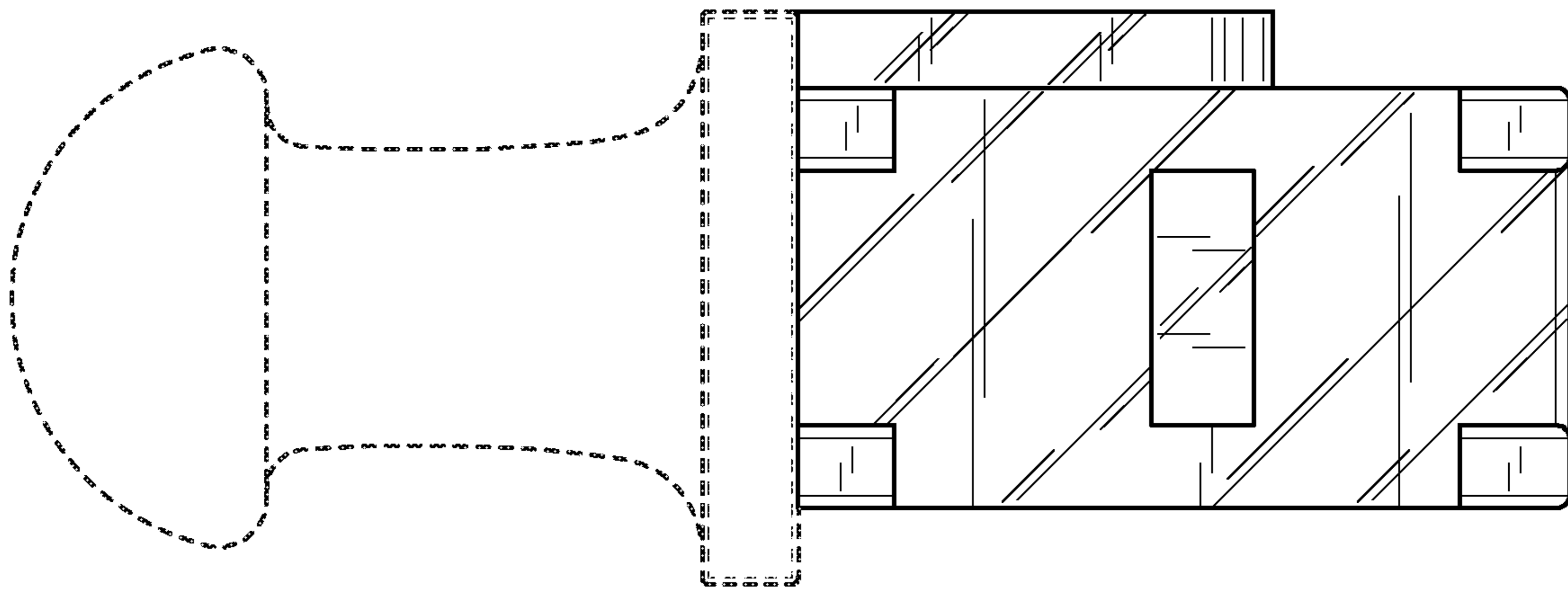


FIG. 14

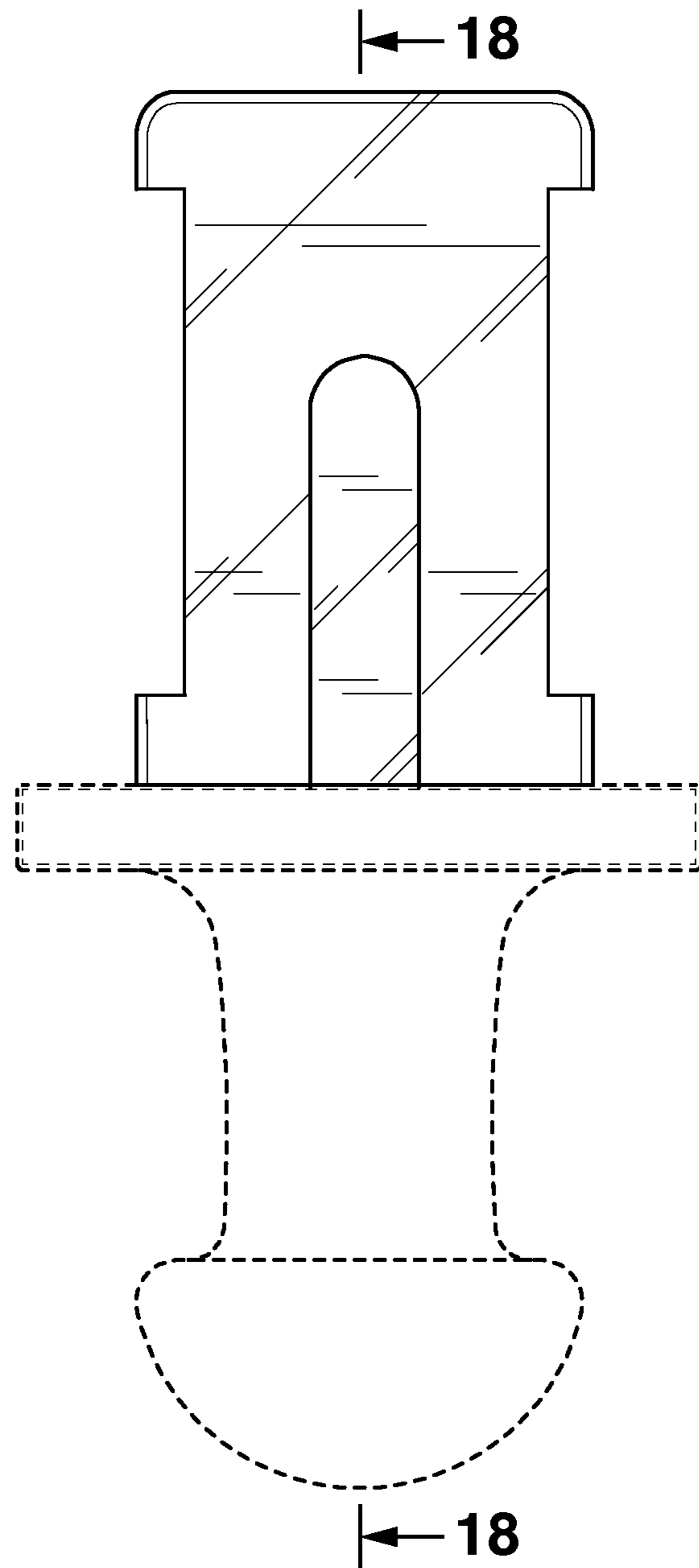


FIG. 15

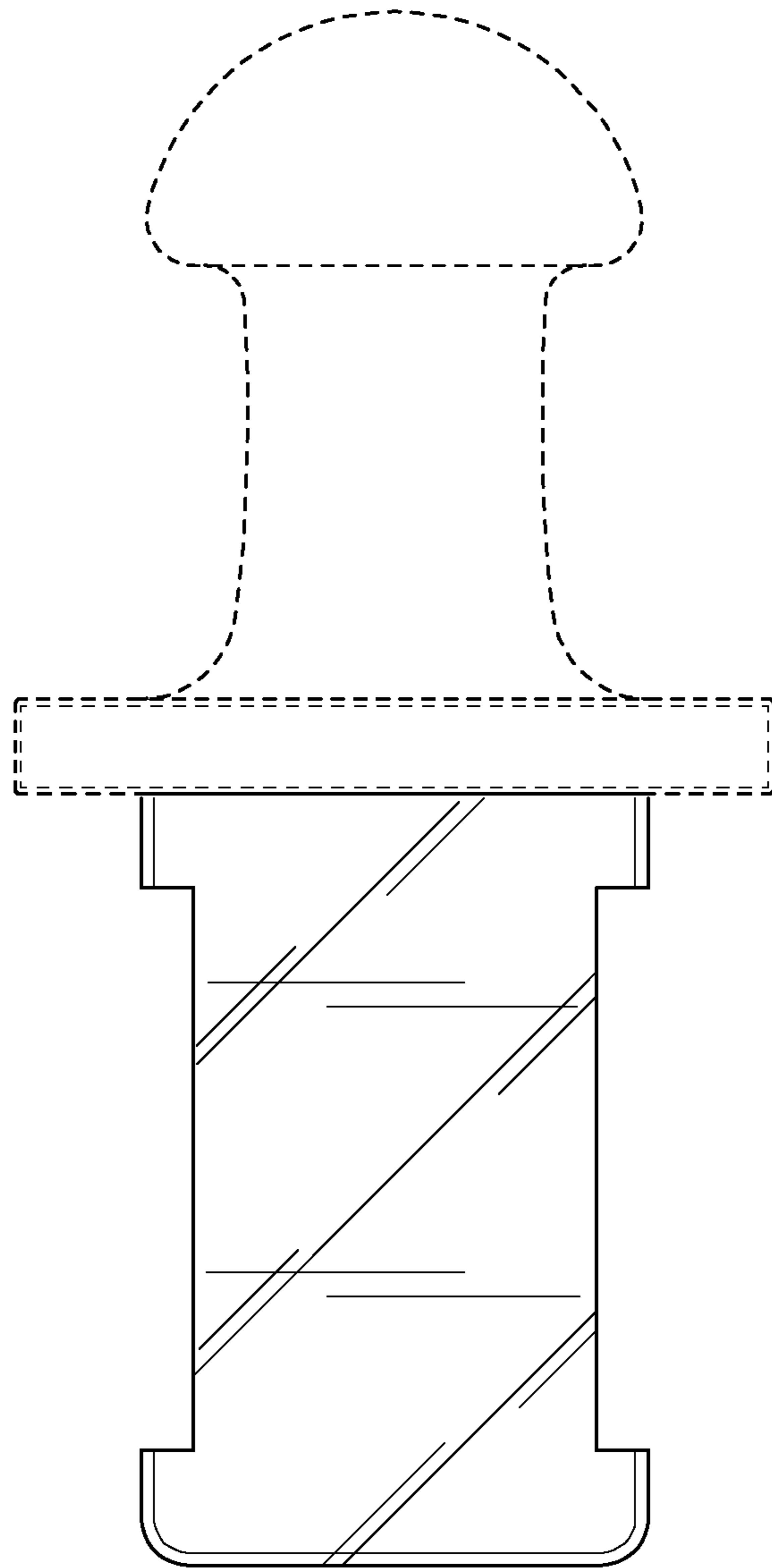


FIG. 16

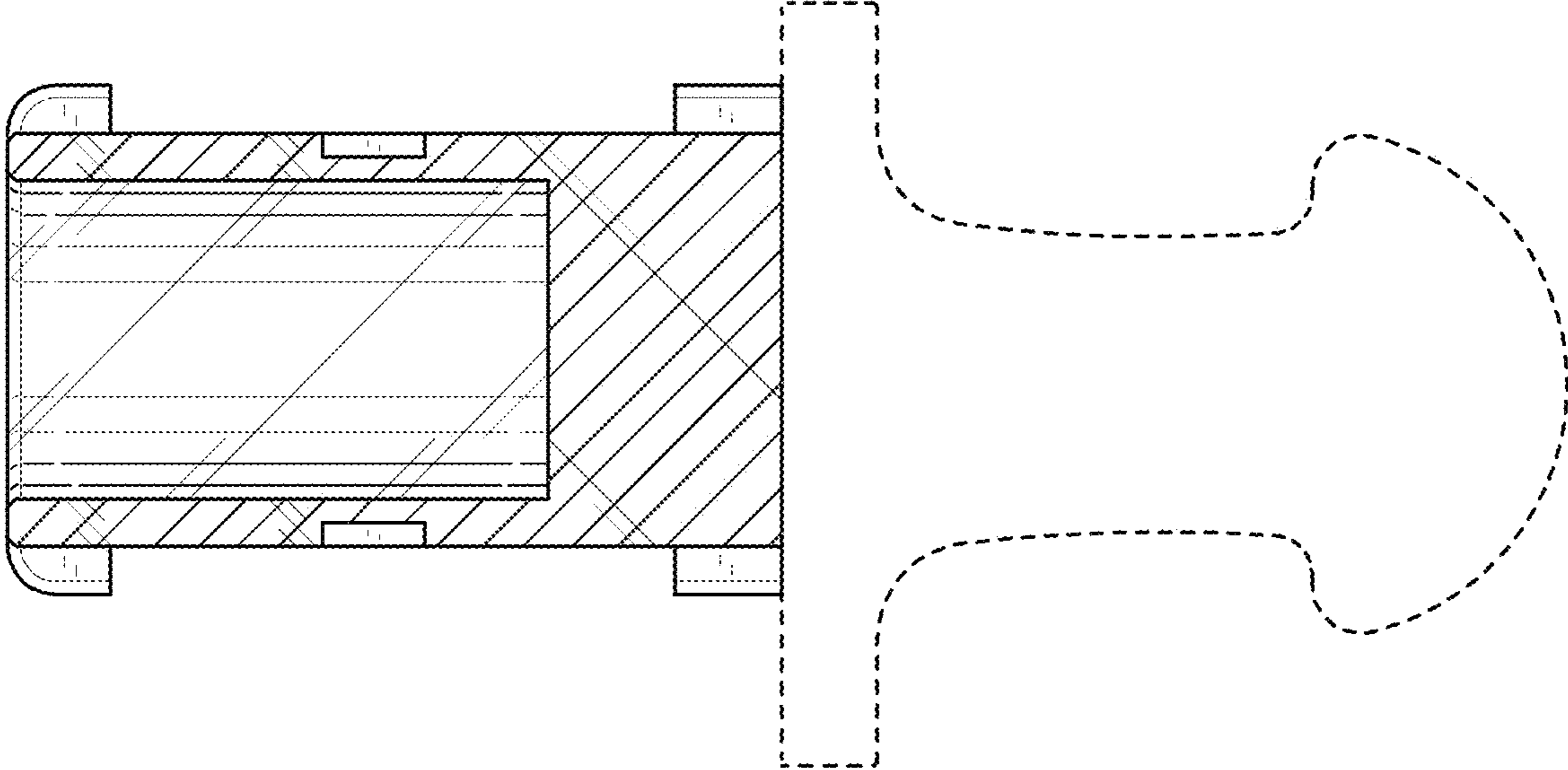


FIG. 17

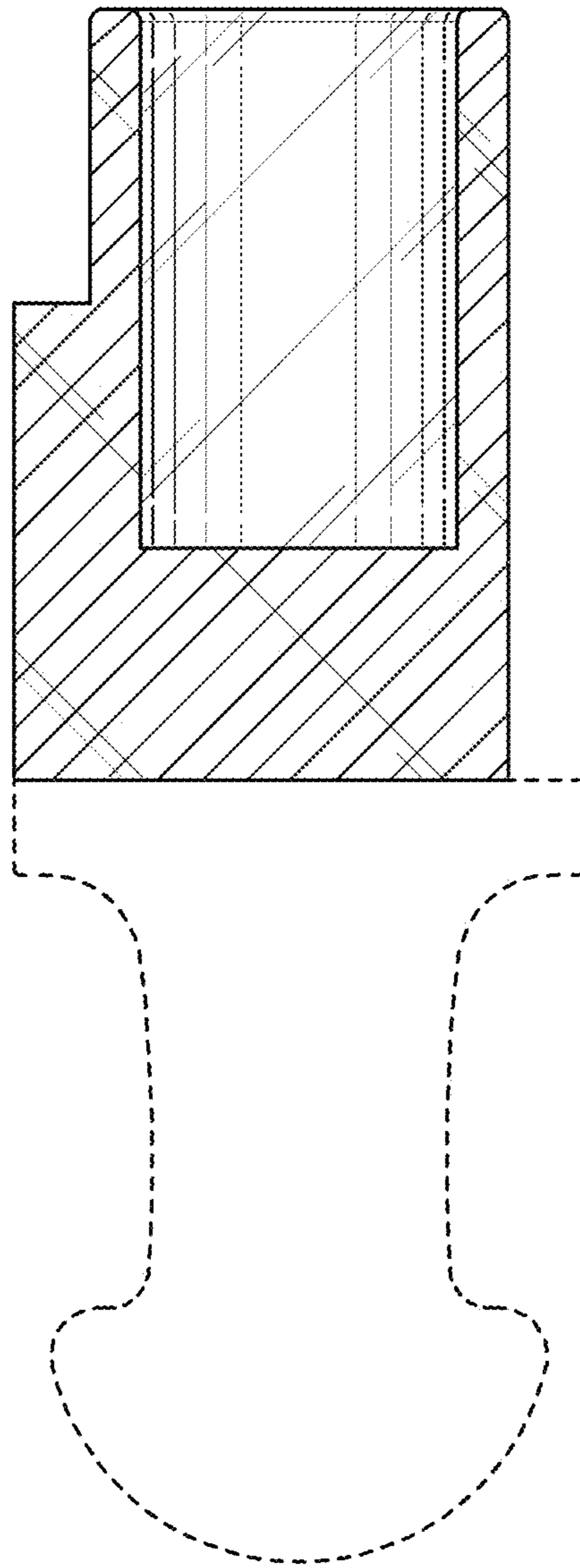


FIG. 18