



US00D913965S

(12) **United States Design Patent**
Smith

(10) **Patent No.:** **US D913,965 S**

(45) **Date of Patent:** **** Mar. 23, 2021**

(54) **DUST CAP KNOB FOR FIBER OPTIC ADAPTERS**

(71) Applicant: **Jack William Smith**, East Gull Lake, MN (US)

(72) Inventor: **Jack William Smith**, East Gull Lake, MN (US)

(**) Term: **15 Years**

(21) Appl. No.: **29/627,295**

(22) Filed: **Nov. 25, 2017**

(51) **LOC (13) Cl.** **13-03**

(52) **U.S. Cl.**
USPC **D13/156**

(58) **Field of Classification Search**
USPC 385/49; 359/511, 513; 439/148;
D13/155, 153, 133, 156, 139.4, 139.1,
D13/108, 147, 154, 199
CPC G02B 6/3849; H01R 13/5213
See application file for complete search history.

(56) **References Cited**

U.S. PATENT DOCUMENTS

- D244,027 S * 4/1977 Mooney D13/156
- D455,199 S * 4/2002 Lenart D23/254
- D459,318 S * 6/2002 Theuerkorn D13/199
- 6,398,422 B1 * 6/2002 Szilagyi G02B 6/3849
385/76
- D470,461 S * 2/2003 Liang D13/133
- D572,661 S * 7/2008 En Lin D13/133

- D653,521 S * 2/2012 Wike D8/310
- D675,508 S * 2/2013 Hirano D8/382
- D772,170 S * 11/2016 Watanabe D13/156
- D772,686 S * 11/2016 Zimmer D8/310
- D782,982 S * 4/2017 Katagiyama D13/156
- 2003/0002837 A1 * 1/2003 Chan G02B 6/42
385/134

* cited by examiner

Primary Examiner — Jennifer O King

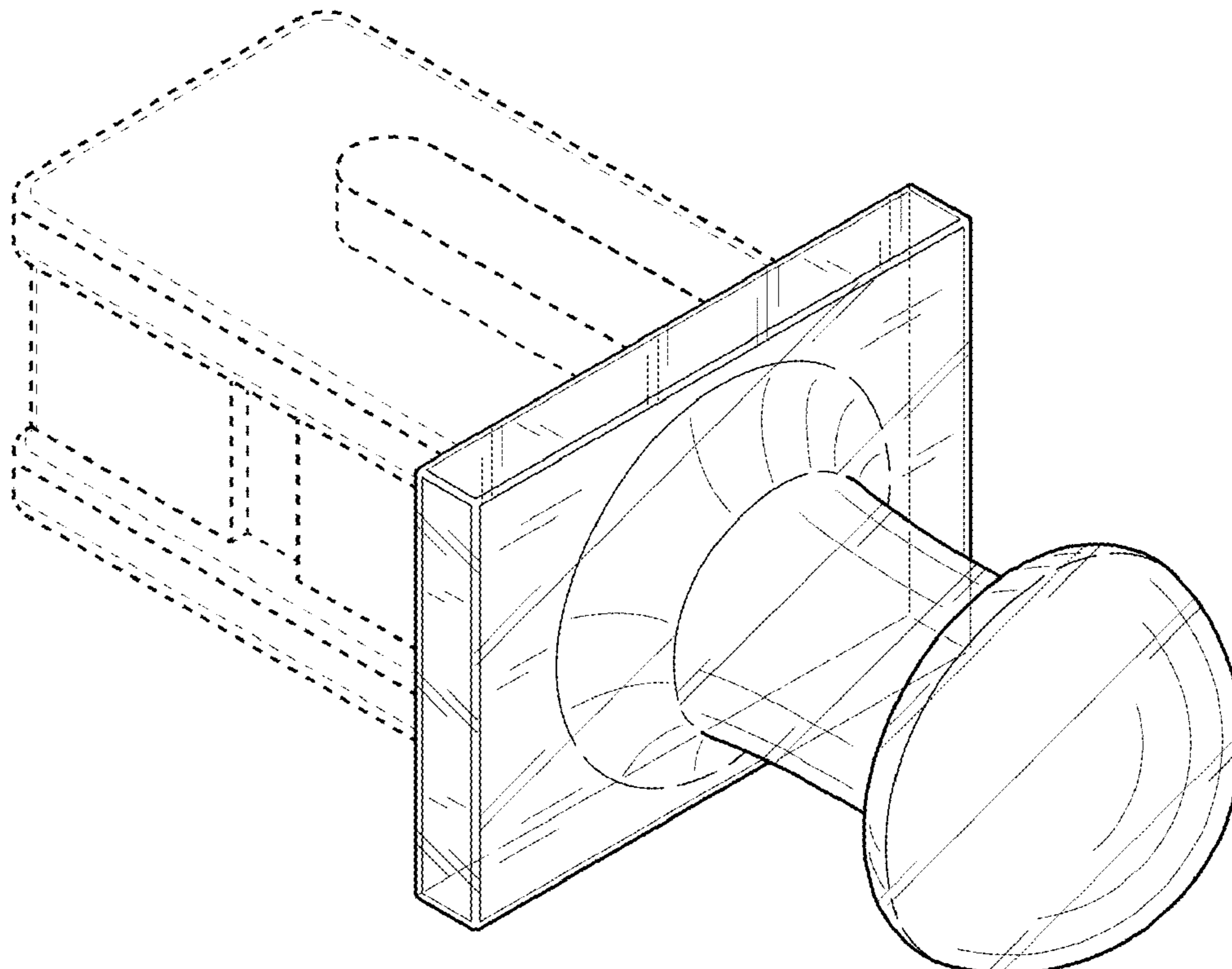
(57) **CLAIM**

The ornamental design for dust cap for fiber optic adapters, as shown and described.

DESCRIPTION

FIG. 1 is a perspective view of a dust cap for fiber optic adapters;
 FIG. 2 is a front elevation view thereof;
 FIG. 3 is a back elevation view thereof;
 FIG. 4 is a left side elevation view thereof;
 FIG. 5 is a right side elevation view thereof;
 FIG. 6 is a top plan view thereof;
 FIG. 7 is a bottom plan view thereof;
 FIG. 8 is a center section view taken from FIG. 4 thereof;
 and,
 FIG. 9 is a center section view taken from FIG. 6 thereof.
 The broken lines shown represent portions of the dust cap for fiber optic adapters that form no part of the claimed design.

1 Claim, 9 Drawing Sheets



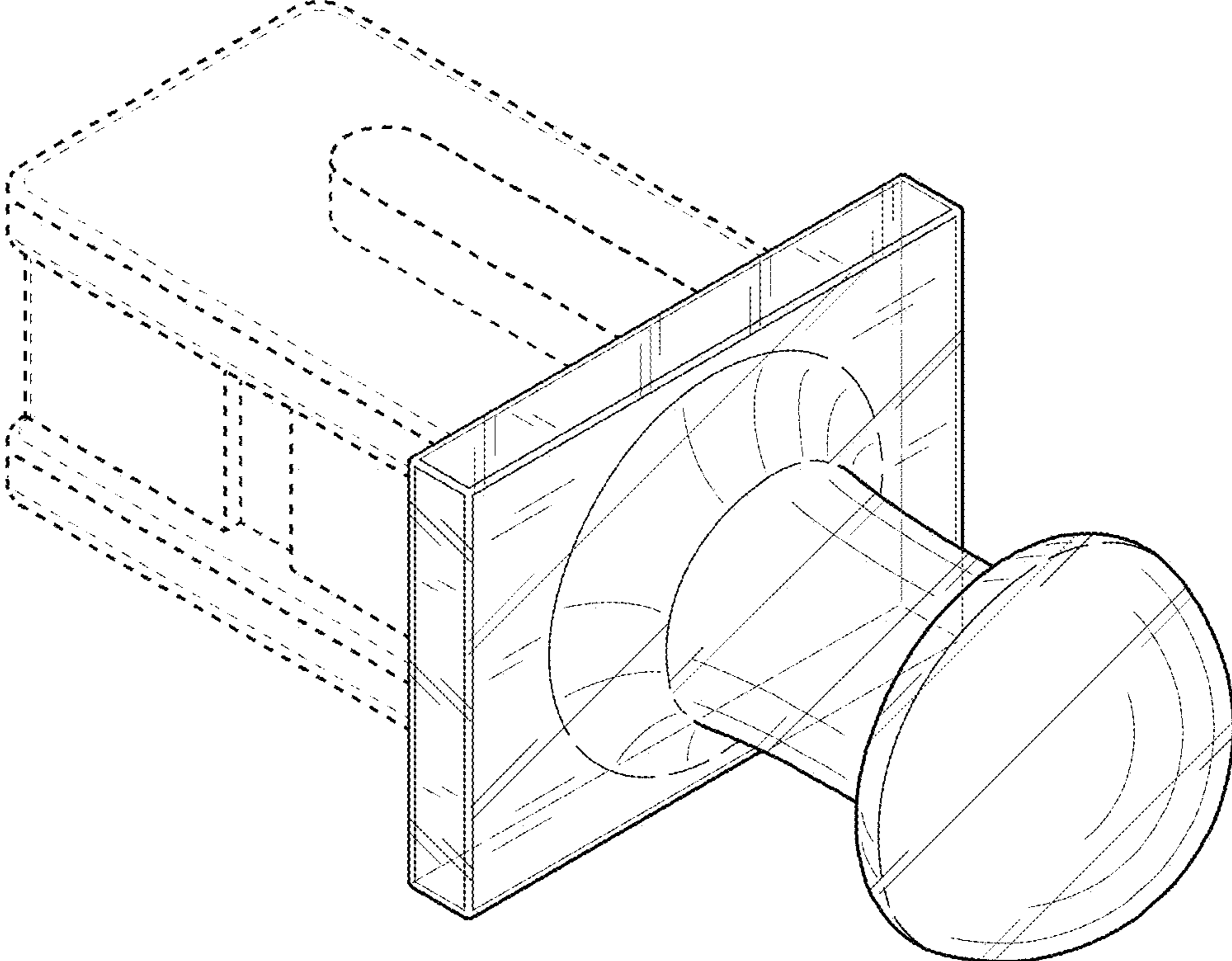


FIG. 1

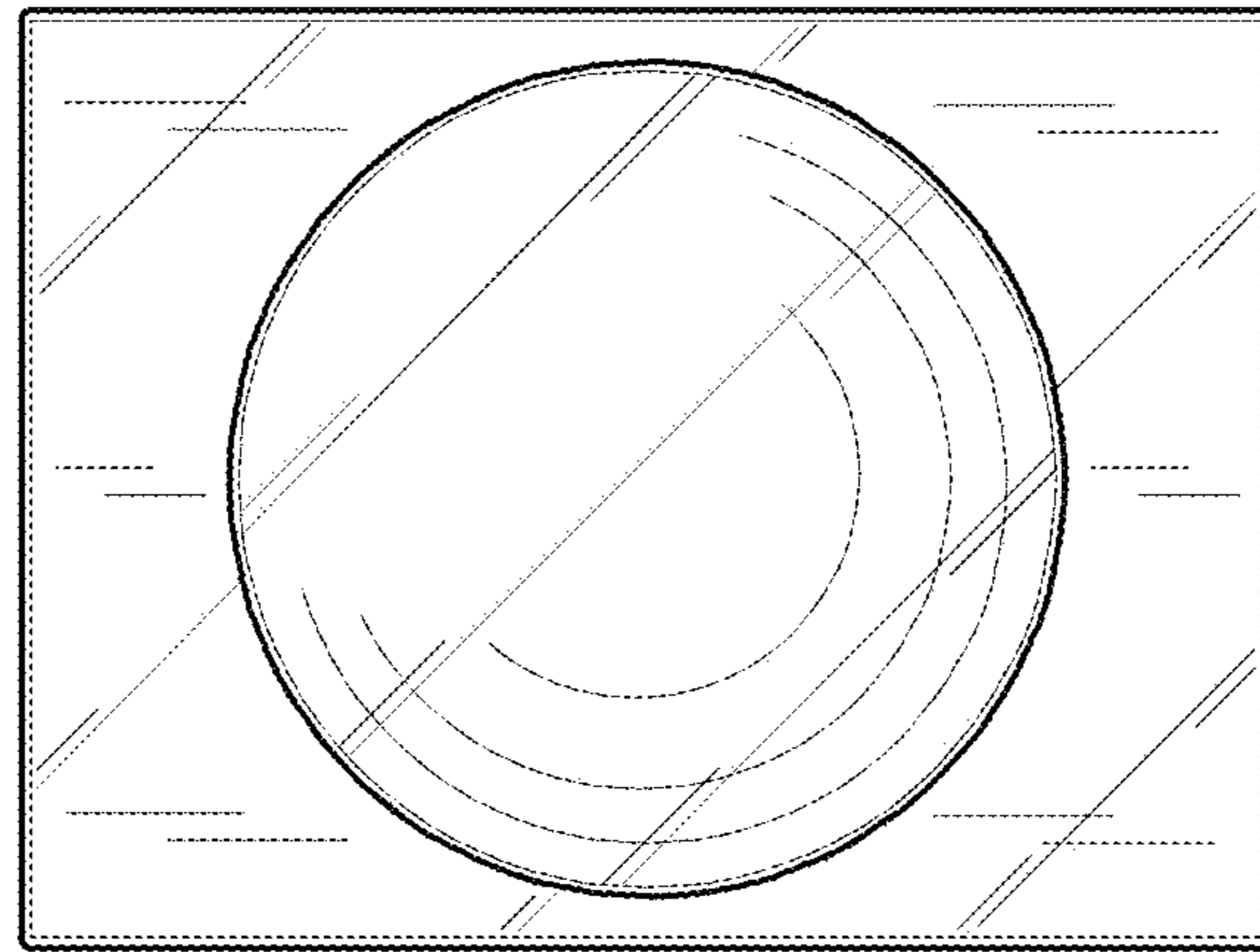


FIG. 2

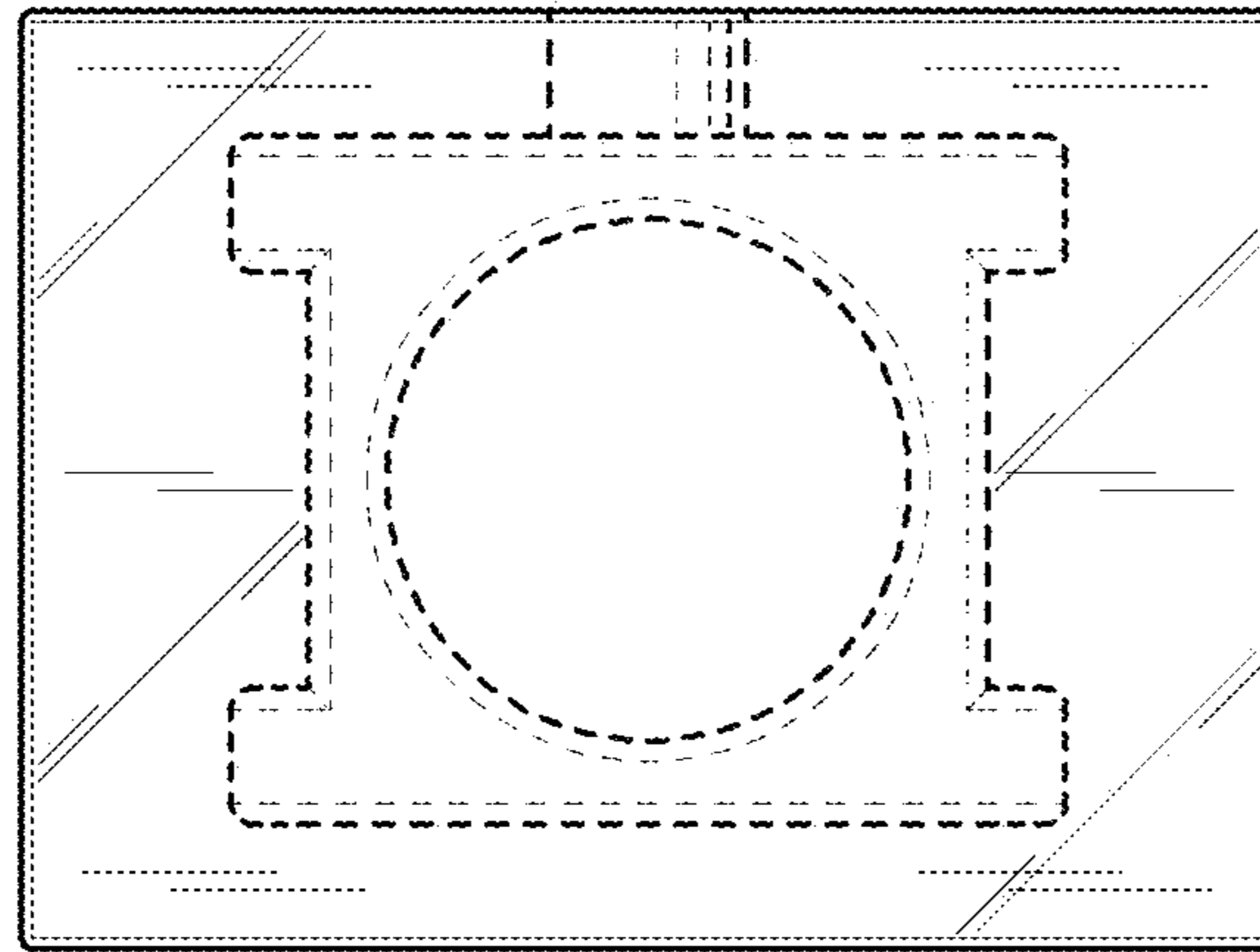


FIG. 3

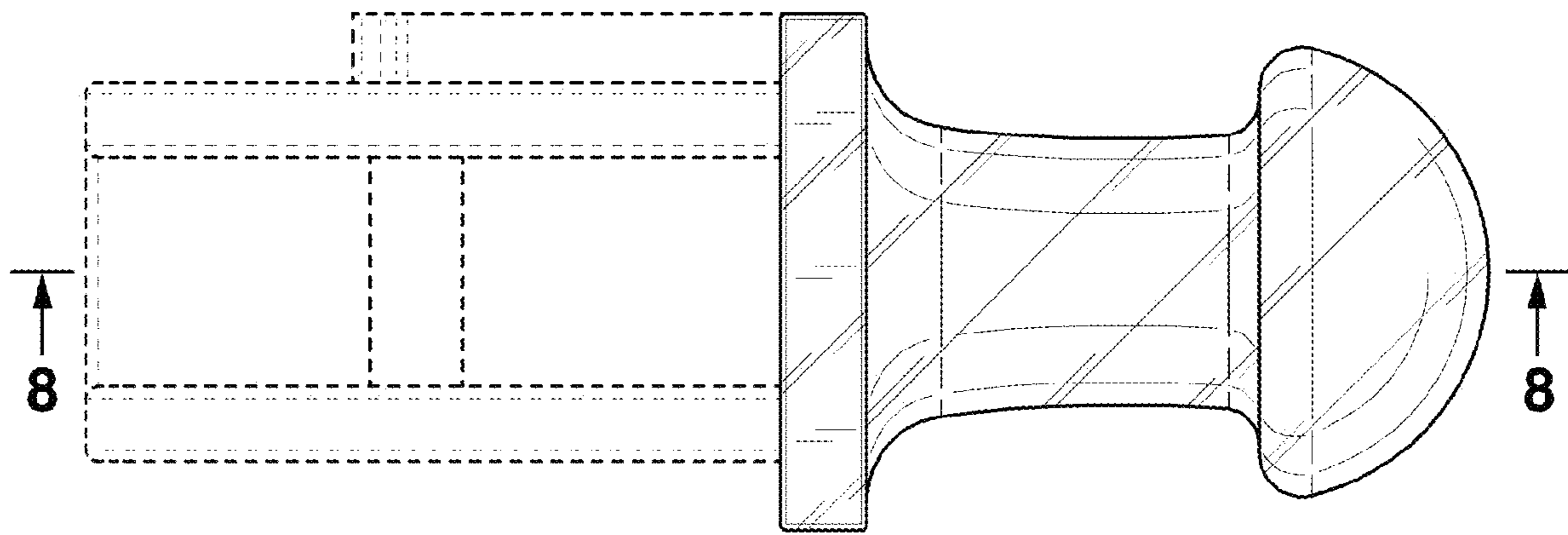


FIG. 4

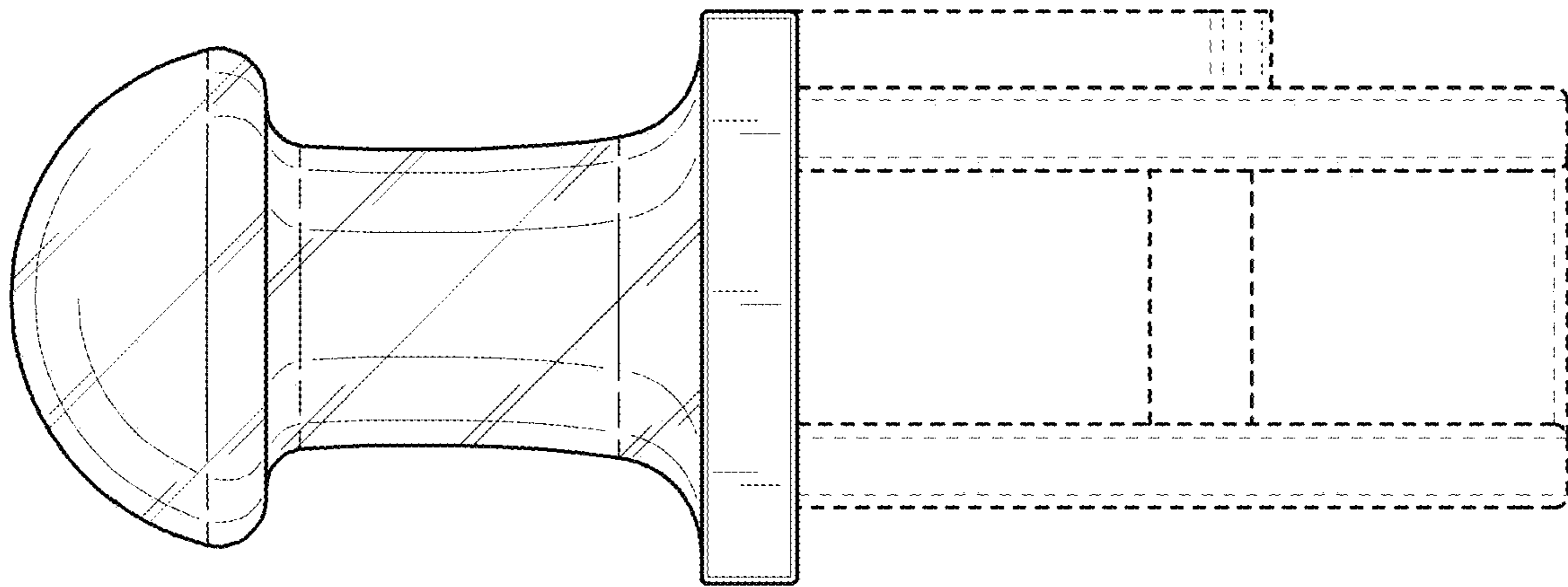


FIG. 5

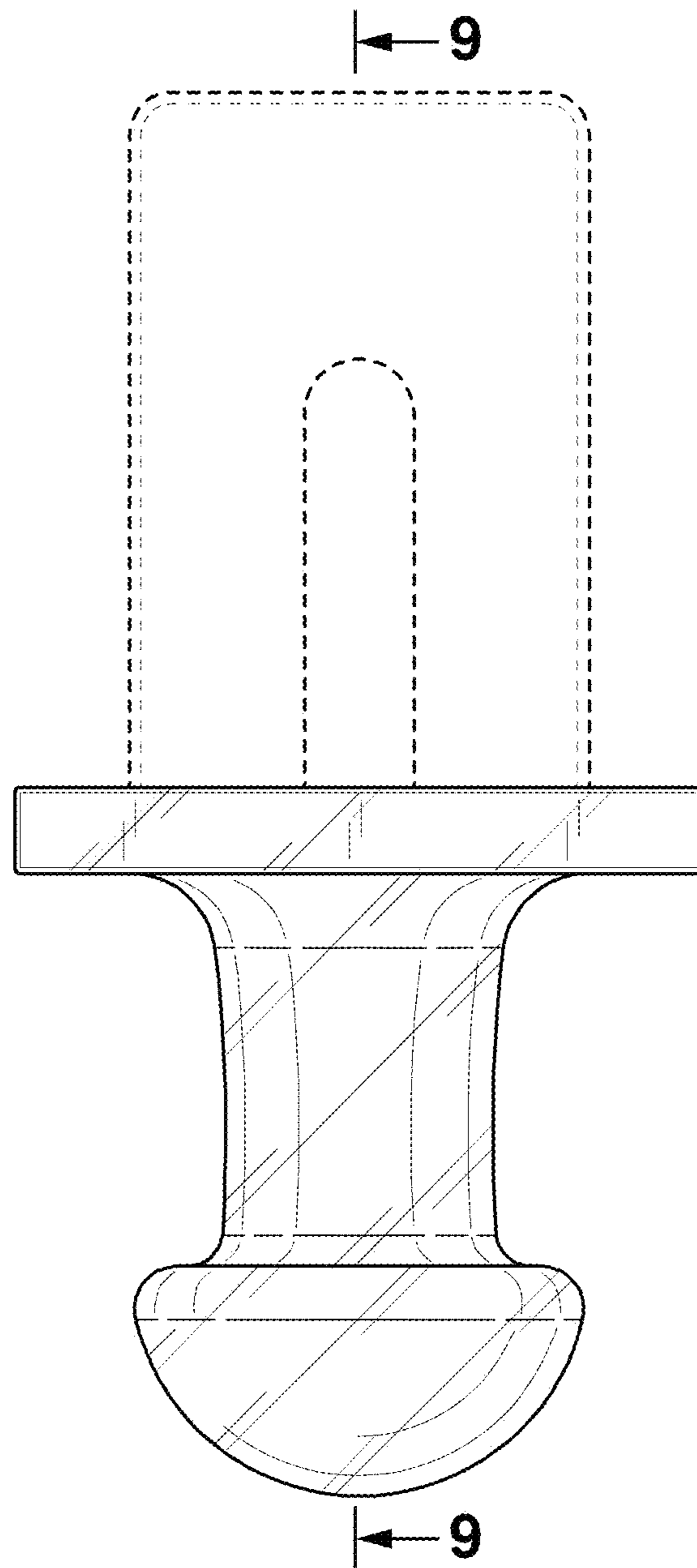


FIG. 6

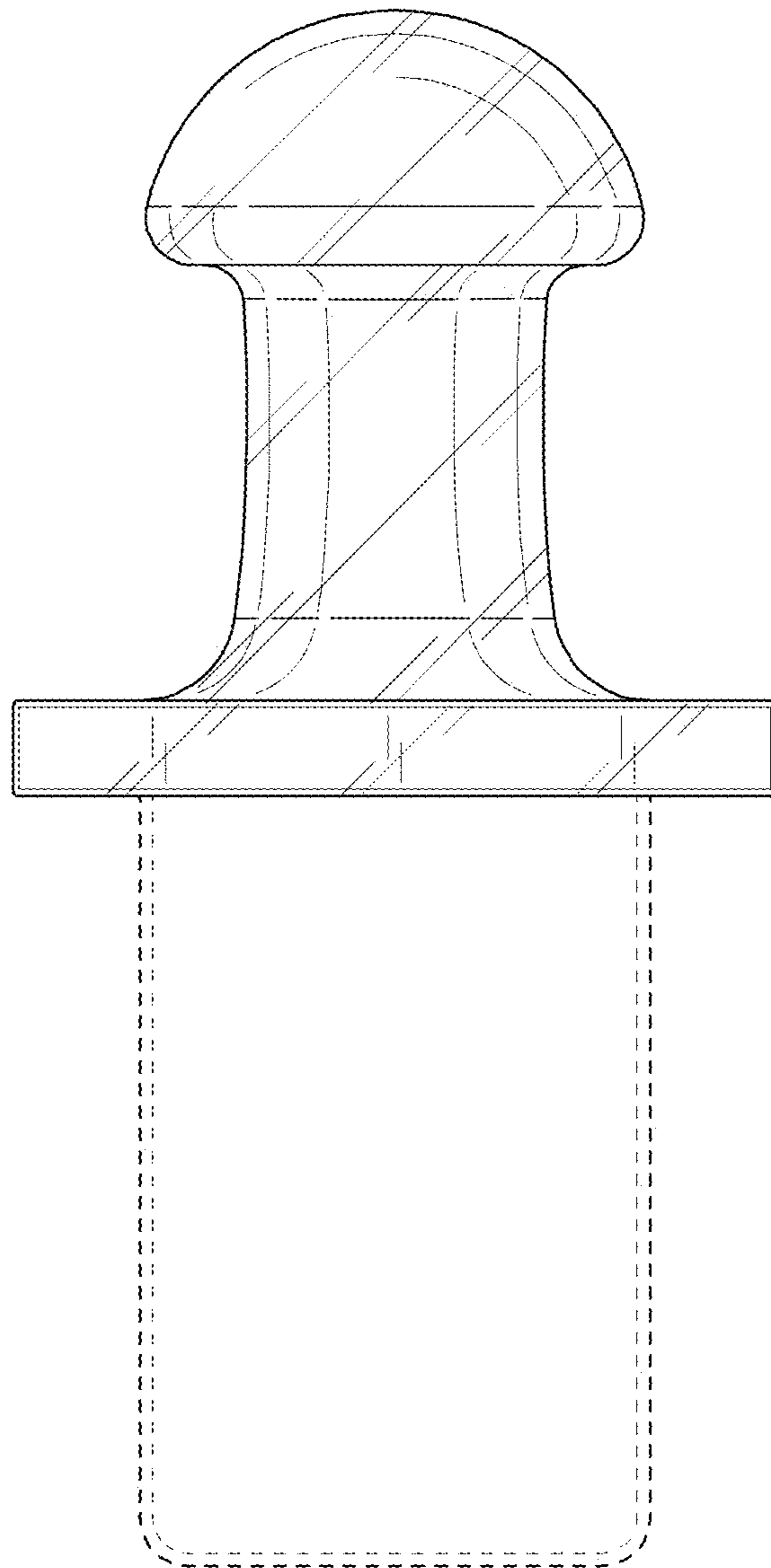


FIG. 7

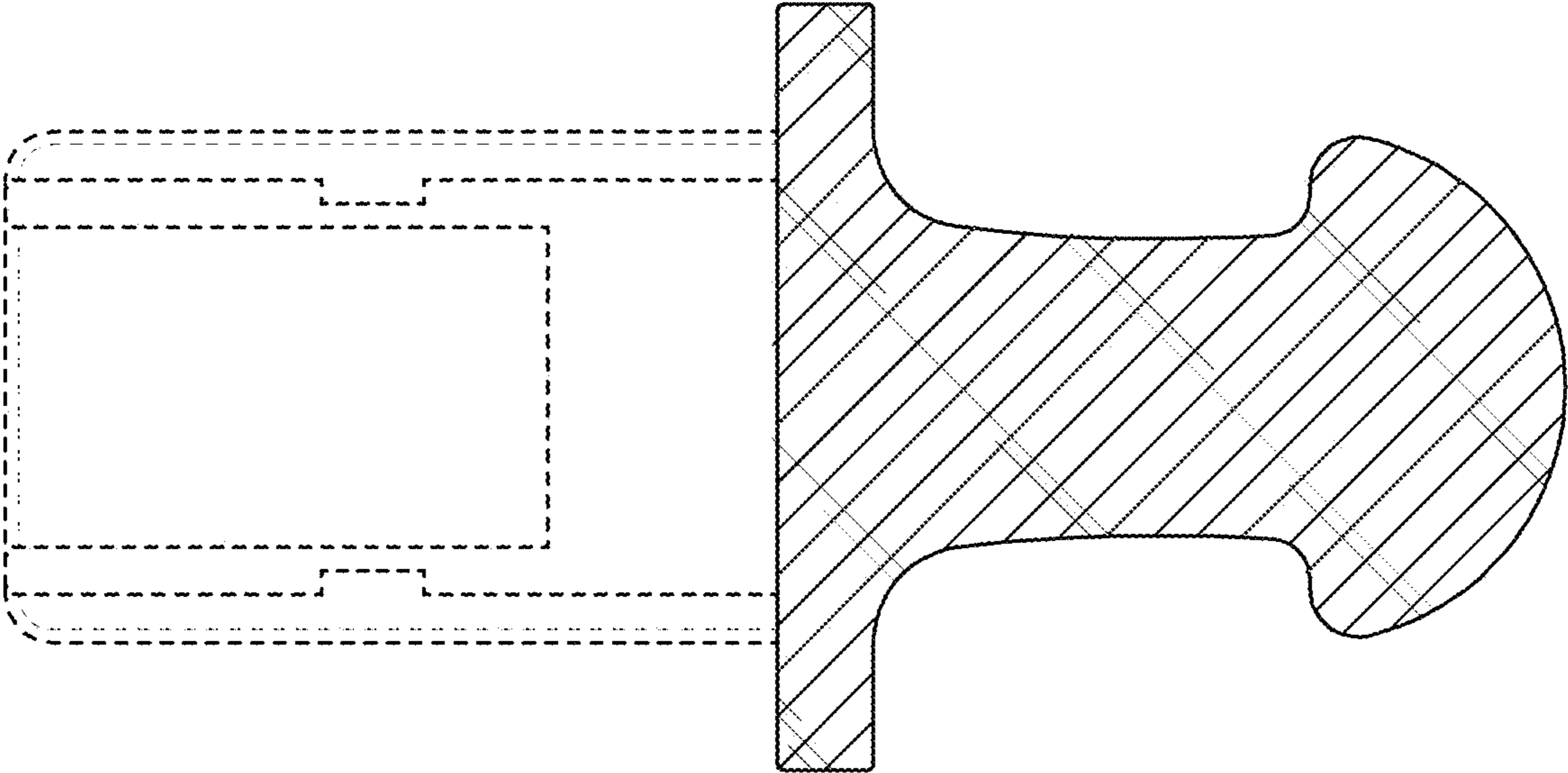


FIG. 8

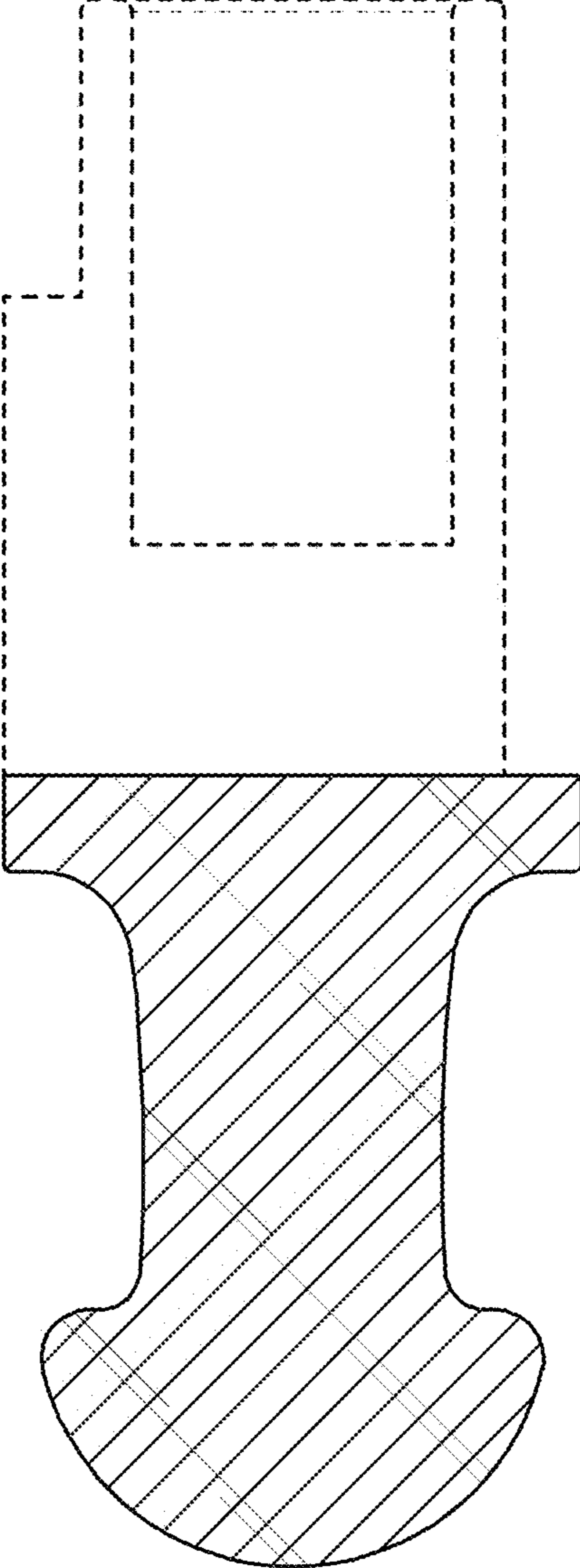


FIG. 9