



US00D913964S

(12) **United States Design Patent** (10) **Patent No.:** **US D913,964 S**
Smith (45) **Date of Patent:** **** Mar. 23, 2021**

(54) **DUST CAP FOR FIBER OPTIC ADAPTERS**

Primary Examiner — Jennifer O King

(71) Applicant: **Jack William Smith**, East Gull Lake, MN (US)

(72) Inventor: **Jack William Smith**, East Gull Lake, MN (US)

(**) Term: **15 Years**

(21) Appl. No.: **29/627,293**

(22) Filed: **Nov. 25, 2017**

(51) **LOC (13) Cl.** **13-03**

(52) **U.S. Cl.**
USPC **D13/156**

(58) **Field of Classification Search**
USPC 385/49; 359/511, 513; 439/148;
D13/155, 153, 133, 156, 139.4, 139.1,
D13/108, 147, 154, 199
CPC G02B 6/3849; H01R 13/5213
See application file for complete search history.

(56) **References Cited**

U.S. PATENT DOCUMENTS

D381,253 S *	7/1997	Guidotti	D8/331
D455,199 S *	4/2002	Lenart	D23/254
D459,318 S *	6/2002	Theuerkorn	D13/199
6,398,422 B1 *	6/2002	Szilagyi	G02B 6/3849
				385/76
D572,661 S *	7/2008	En Lin	D13/133
D653,521 S *	2/2012	Wike	D8/310
D675,508 S *	2/2013	Hirano	D8/382
D772,170 S *	11/2016	Watanabe	D13/156
D772,686 S *	11/2016	Zimmer	D8/310
2003/0002837 A1 *	1/2003	Chan	G02B 6/42
				385/134

* cited by examiner

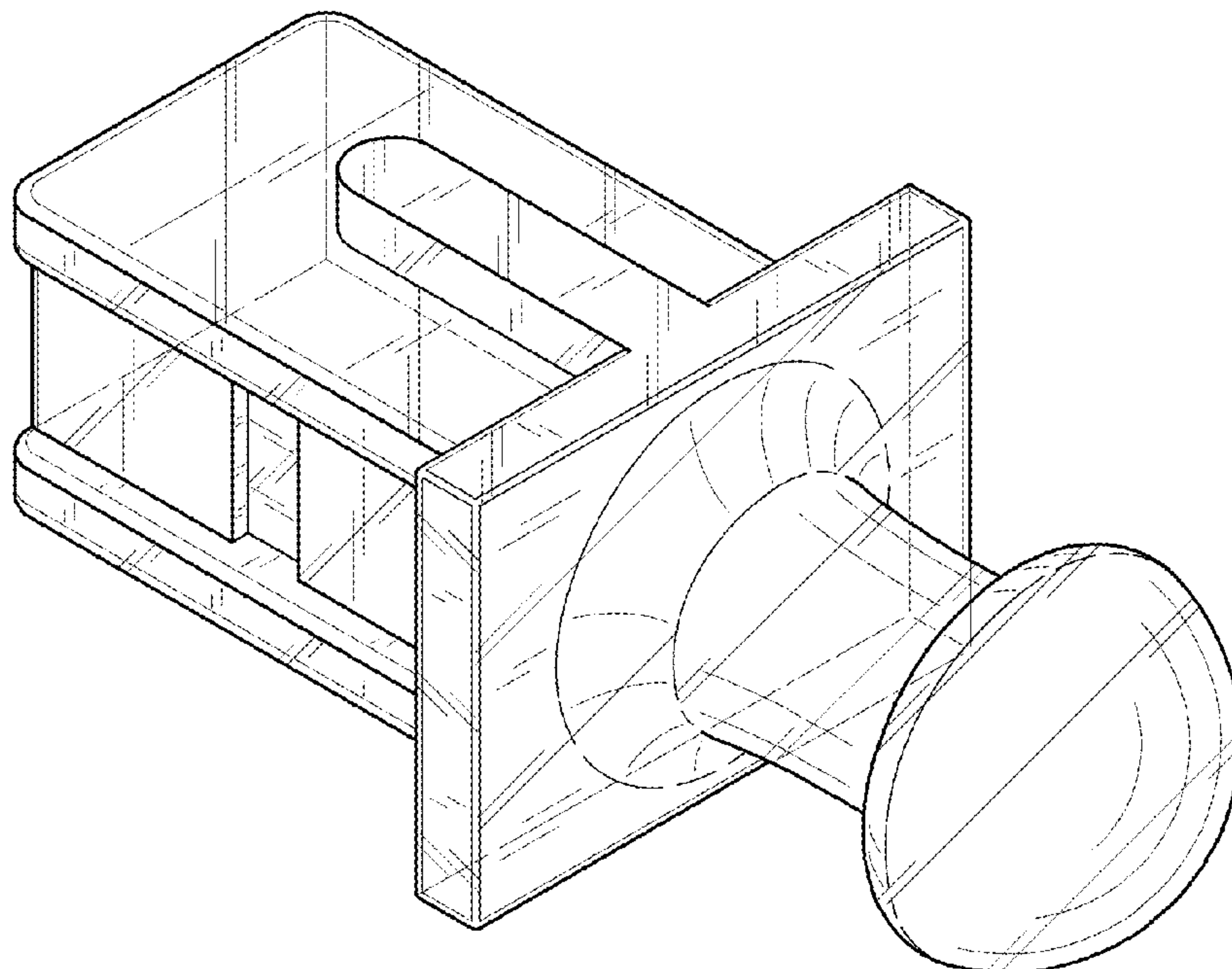
(57) **CLAIM**

The ornamental design for dust cap for fiber optic adapters, as shown and described.

DESCRIPTION

FIG. 1 is a perspective view of a dust cap for fiber optic adapters according to one embodiment of my new design; FIG. 2 is a front elevation view thereof; FIG. 3 is a back elevation view thereof; FIG. 4 is a left side elevation view thereof; FIG. 5 is a right side elevation view thereof; FIG. 6 is a top plan view thereof; FIG. 7 is a bottom plan view thereof; FIG. 8 is a center section view thereof, taken from FIG. 4; and FIG. 9 is a another section view thereof, taken from FIG. 6. FIG. 10 is a perspective view of a second embodiment of a dust cap for fiber optic adapters; FIG. 11 is a front elevation view thereof; FIG. 12 is a back elevation view thereof; FIG. 13 is a left side elevation view thereof; FIG. 14 is a right side elevation view thereof; FIG. 15 is a top plan view thereof; FIG. 16 is a bottom plan view thereof; FIG. 17 is a center section view thereof, taken from FIG. 13; and, FIG. 18 is another section view thereof, taken from FIG. 15.

1 Claim, 18 Drawing Sheets



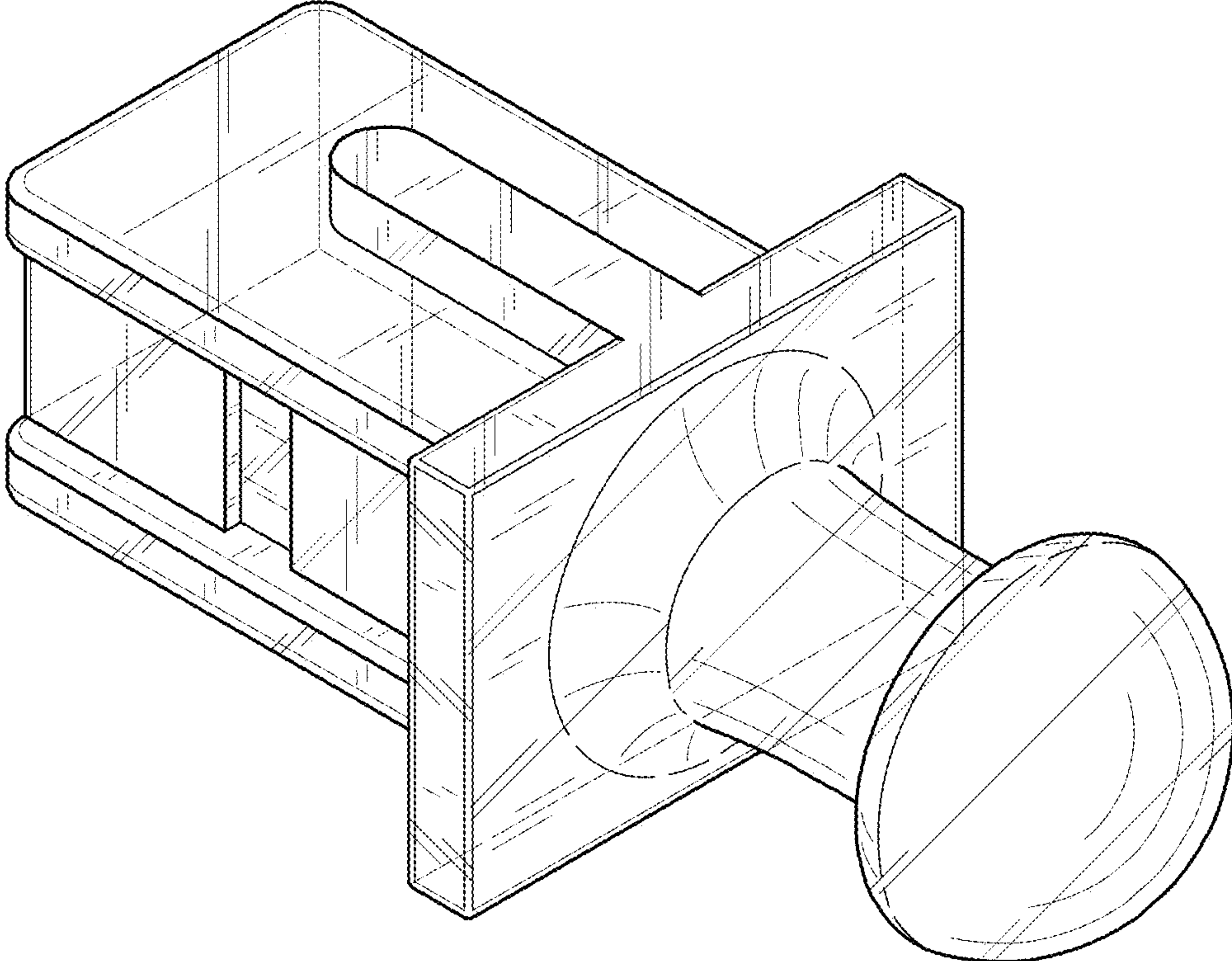


FIG. 1

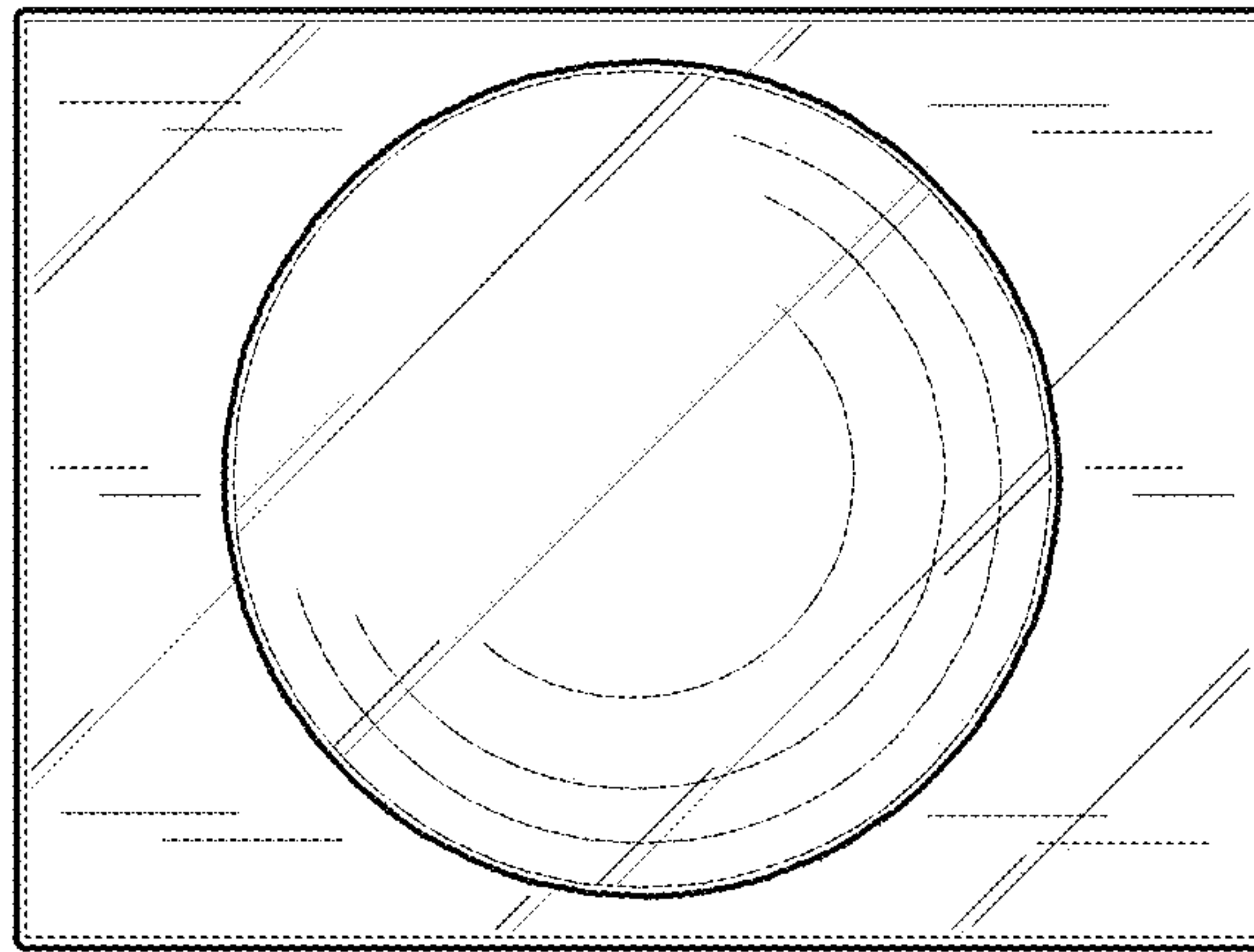


FIG. 2

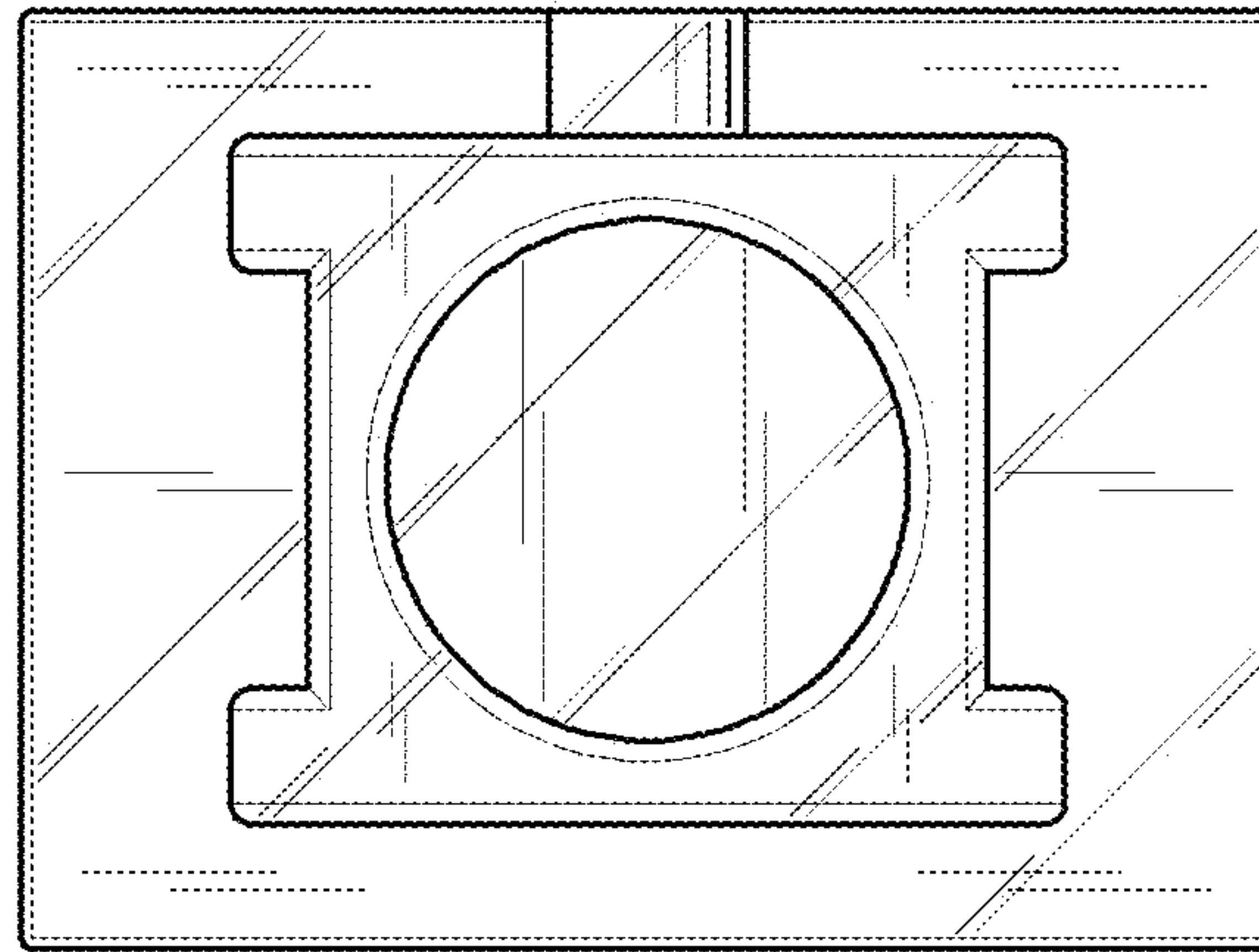


FIG. 3

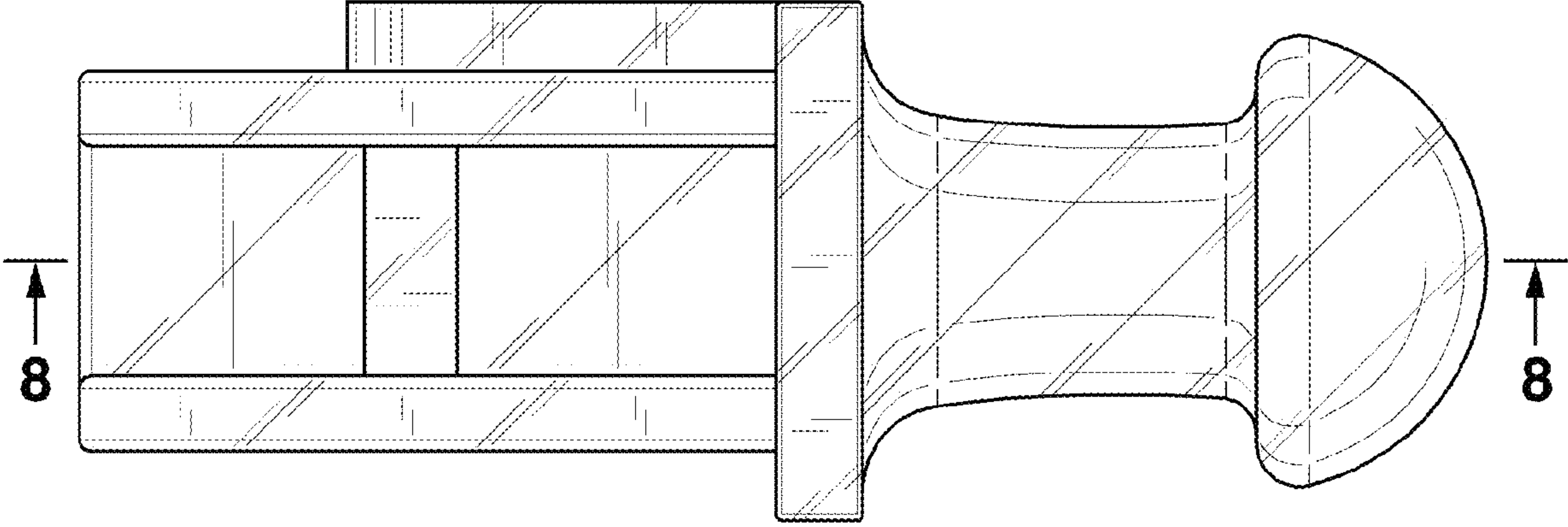


FIG. 4

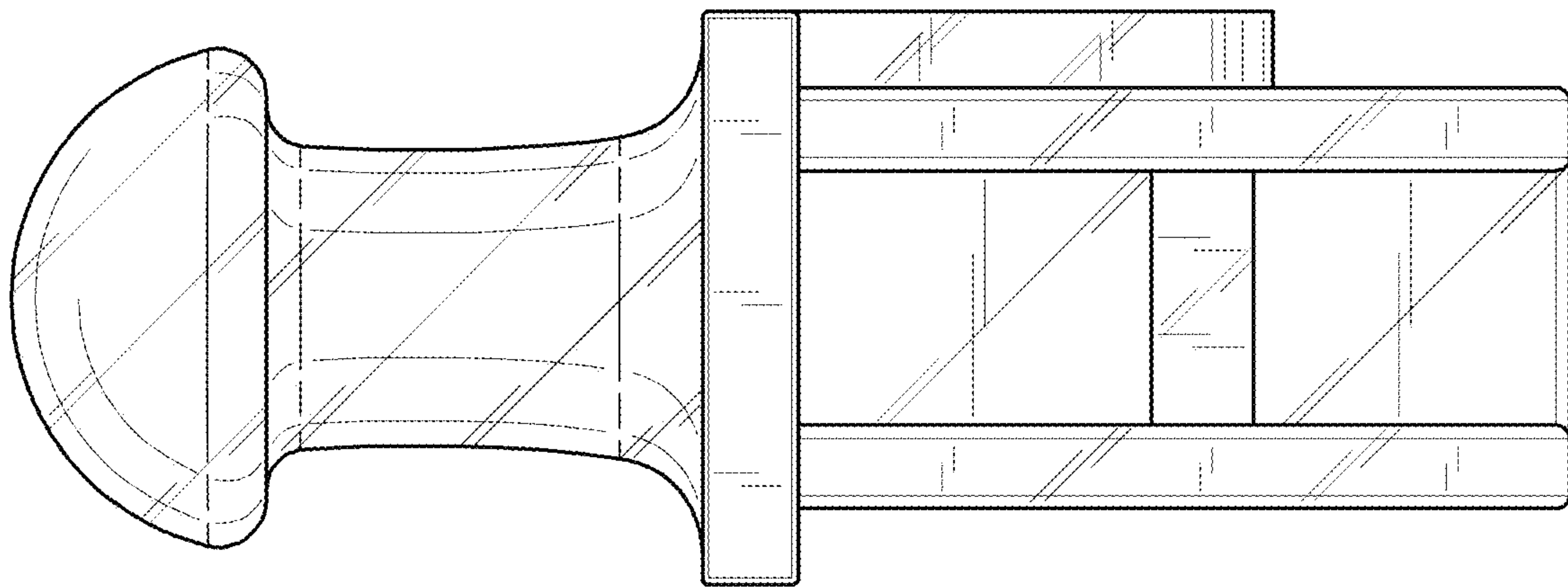


FIG. 5

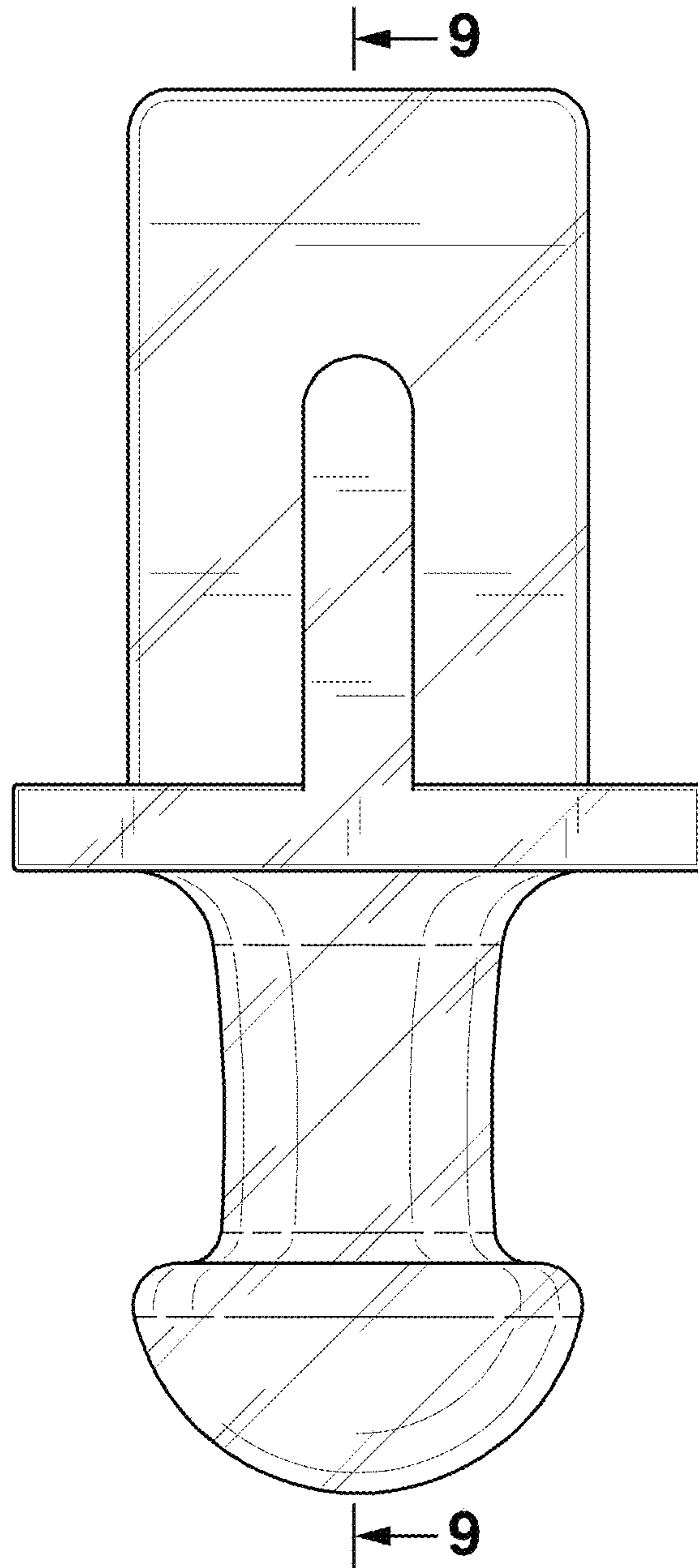


FIG. 6

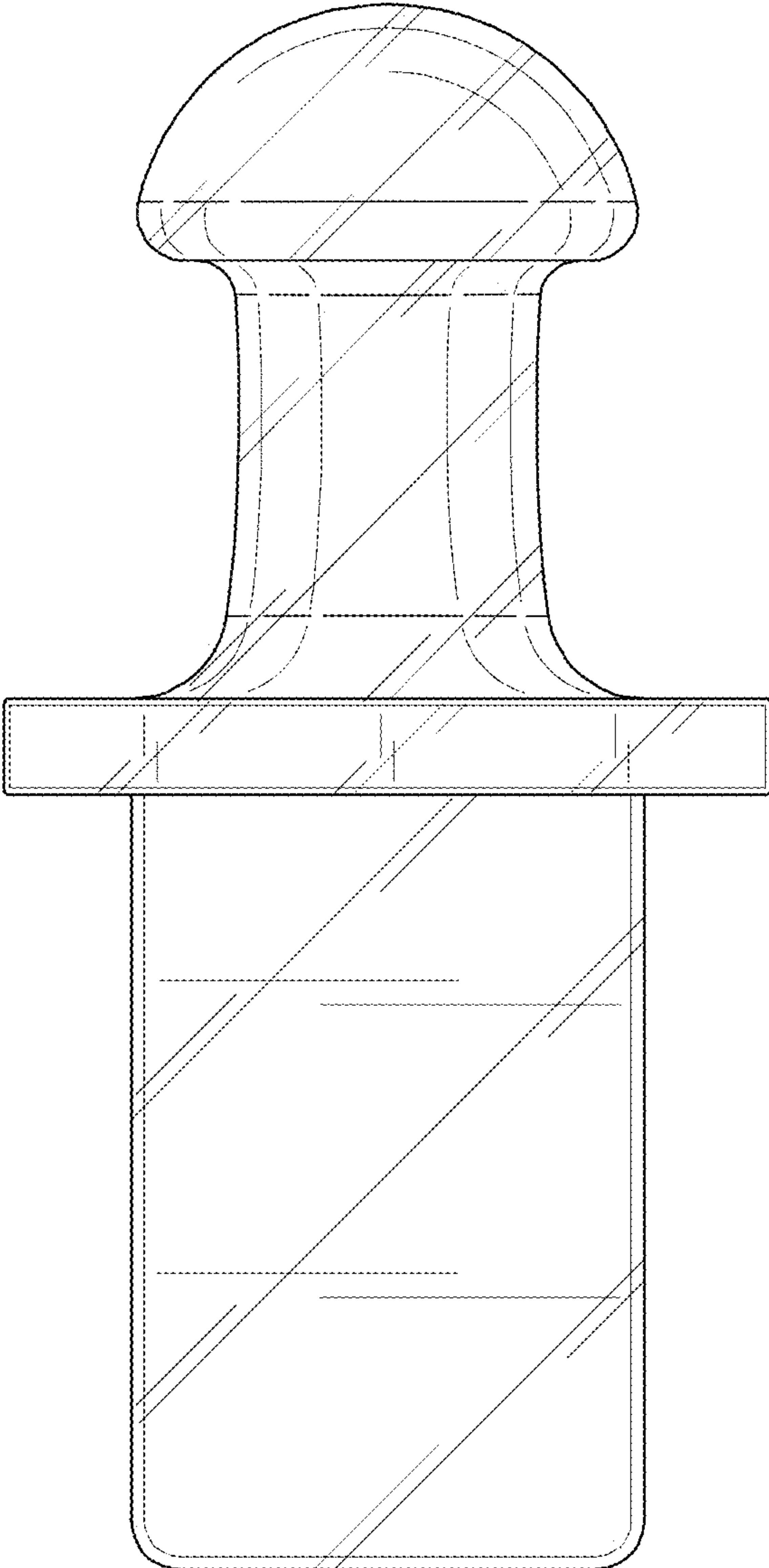


FIG. 7

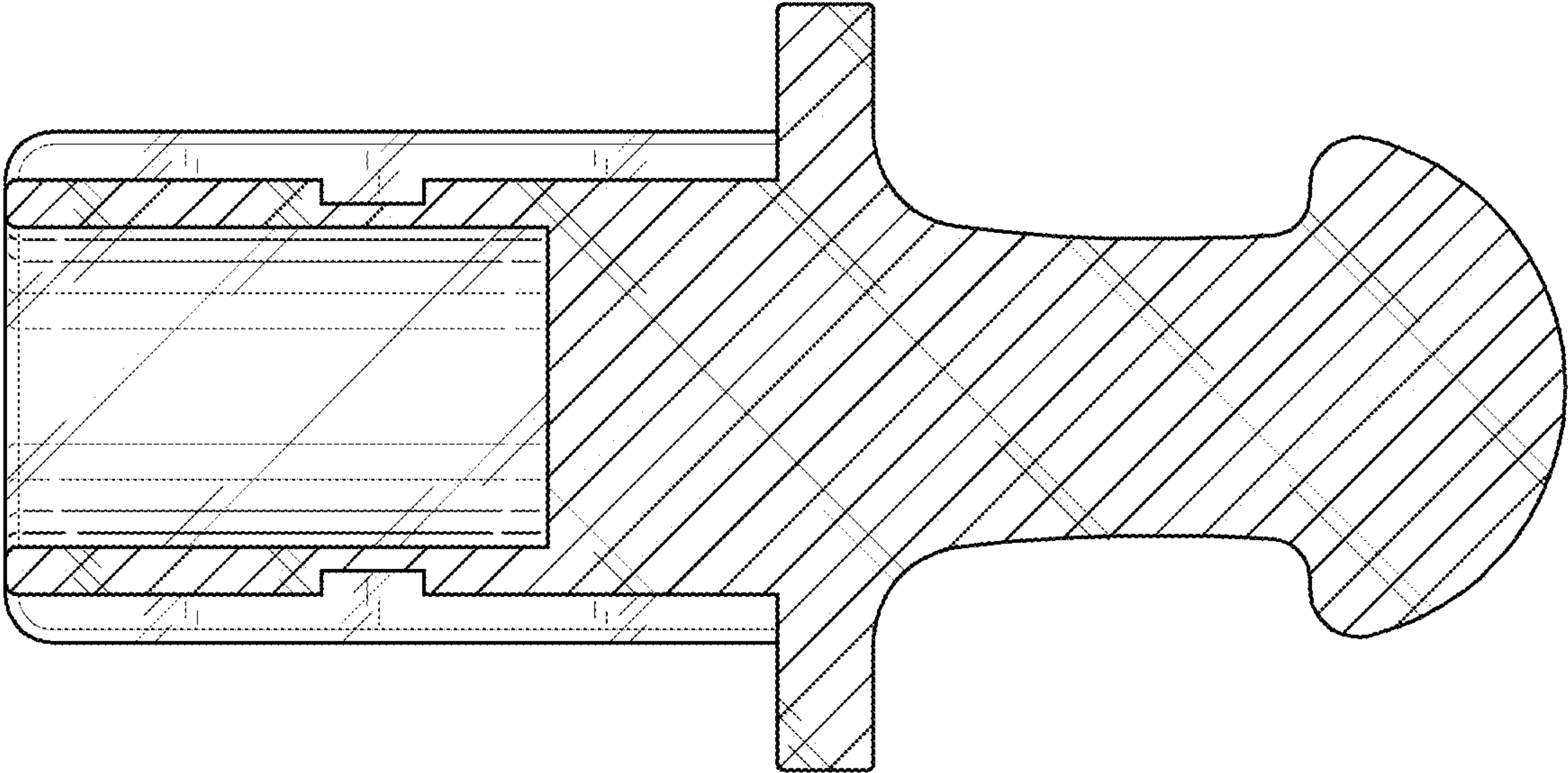


FIG. 8

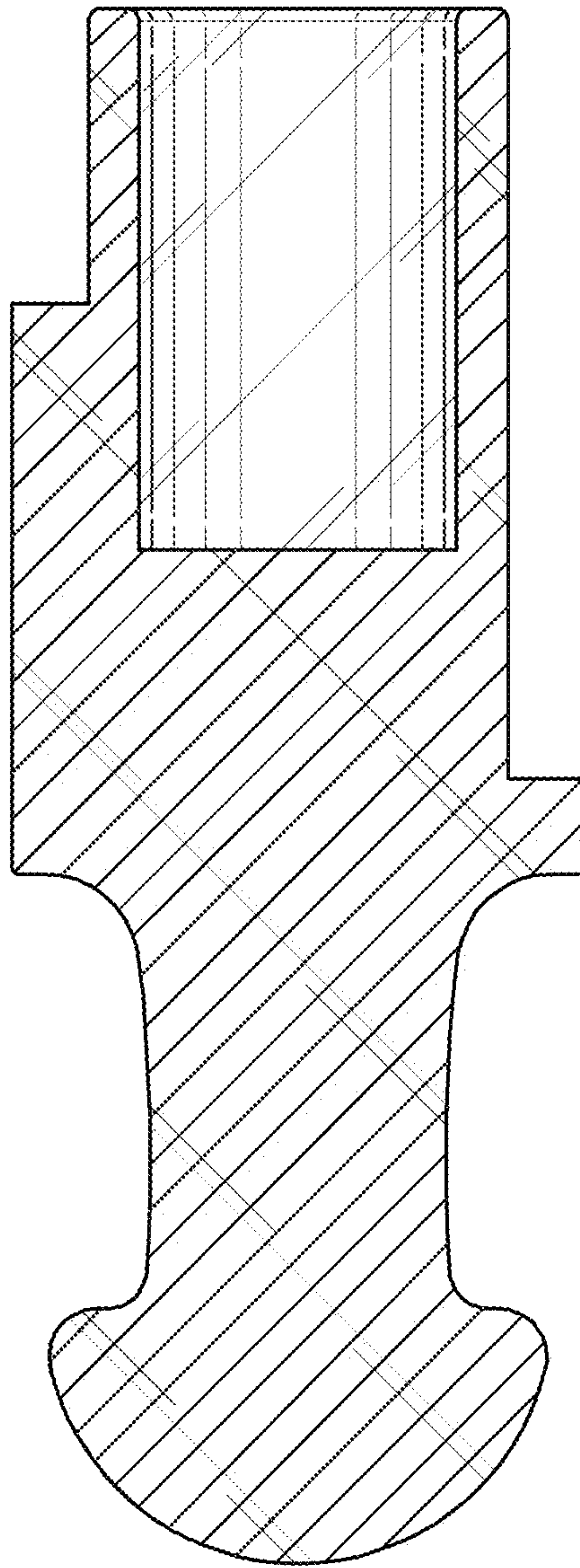


FIG. 9

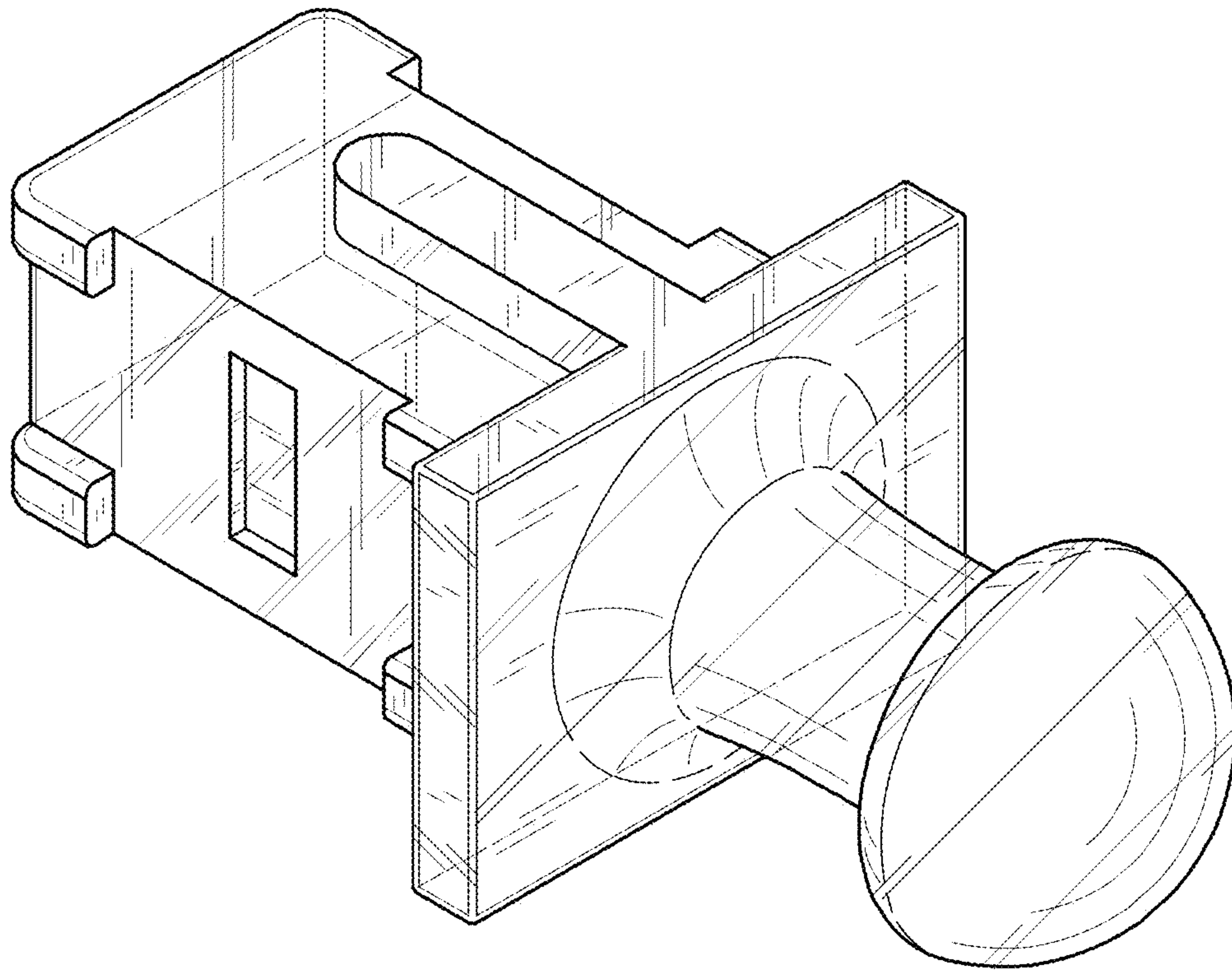


FIG. 10

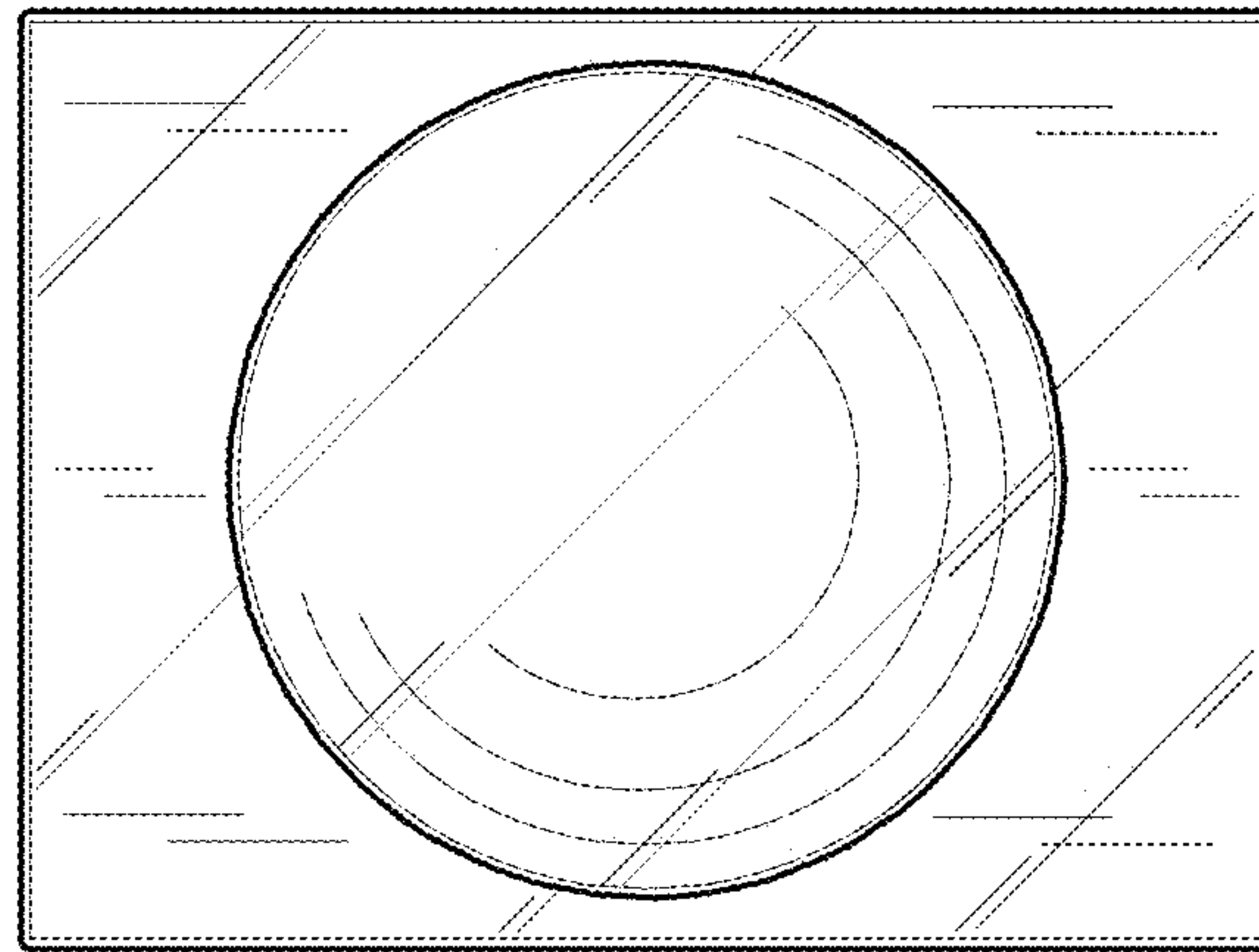


FIG. 11

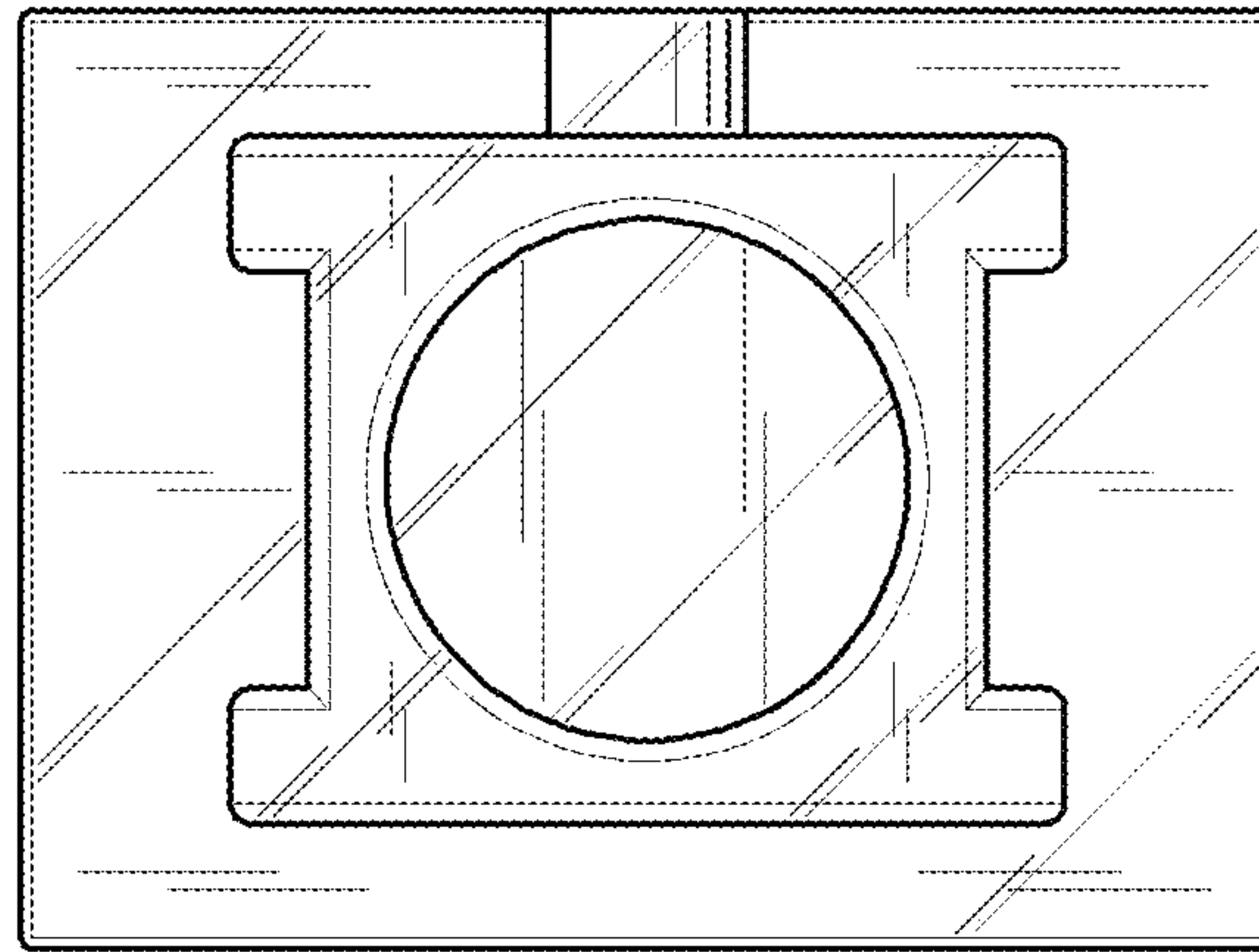


FIG. 12

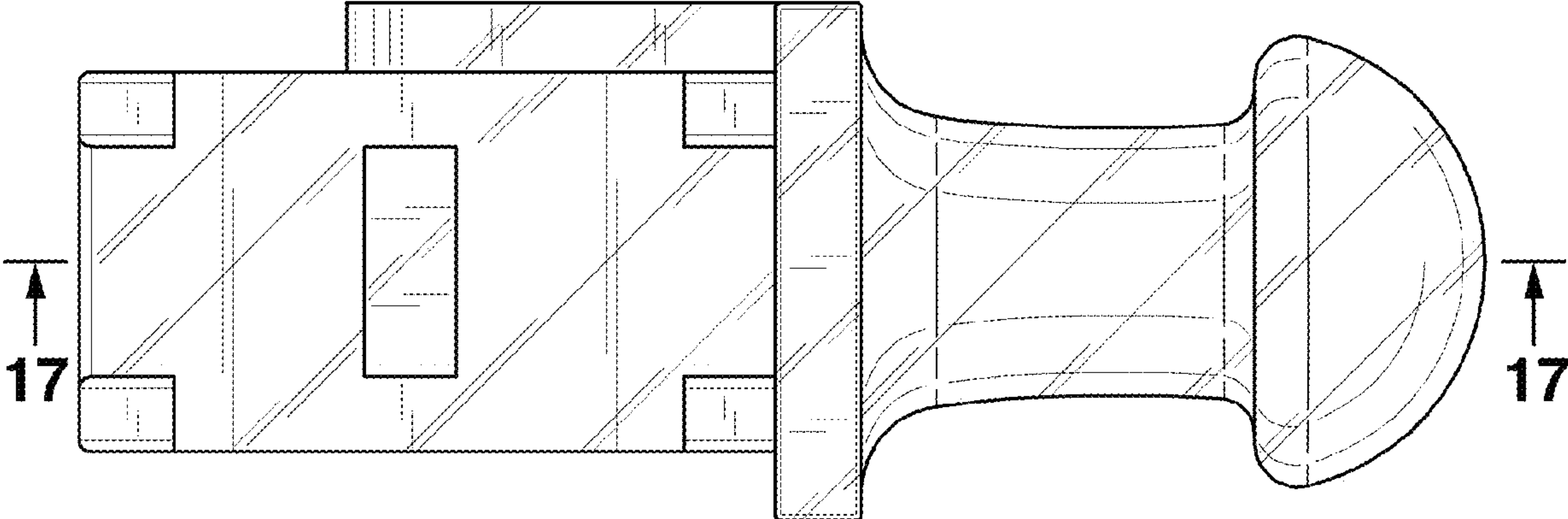


FIG. 13

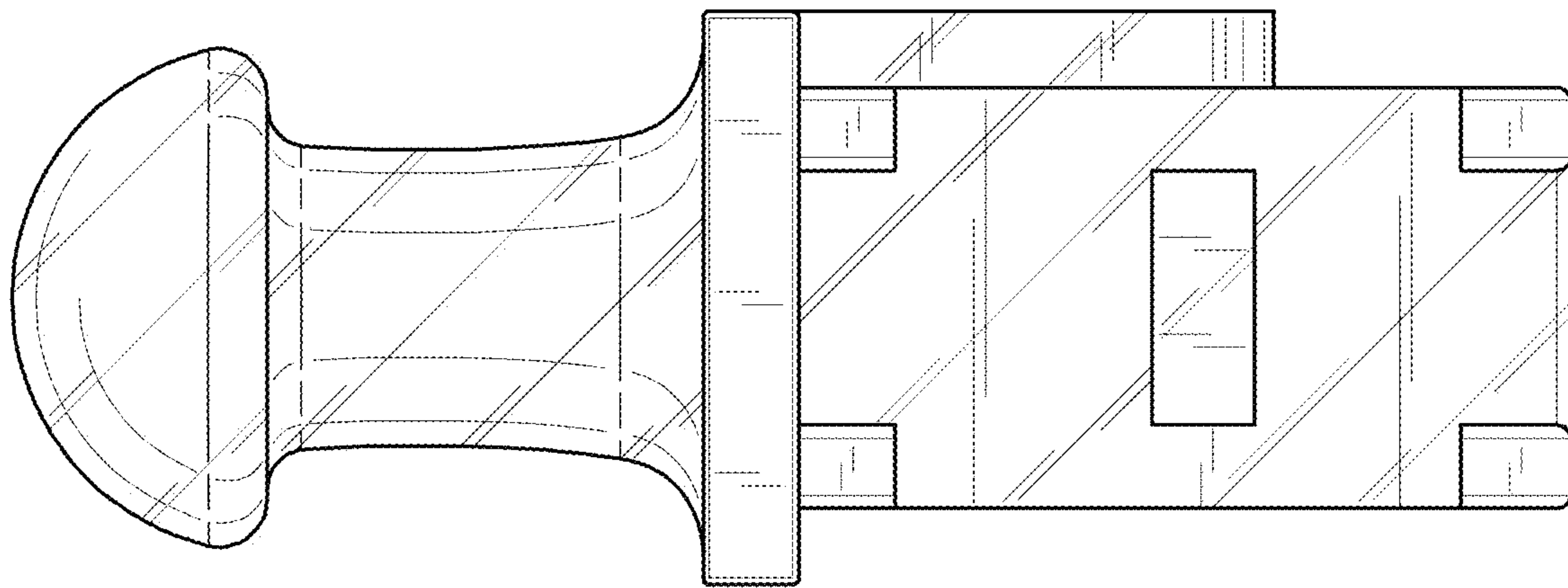


FIG. 14

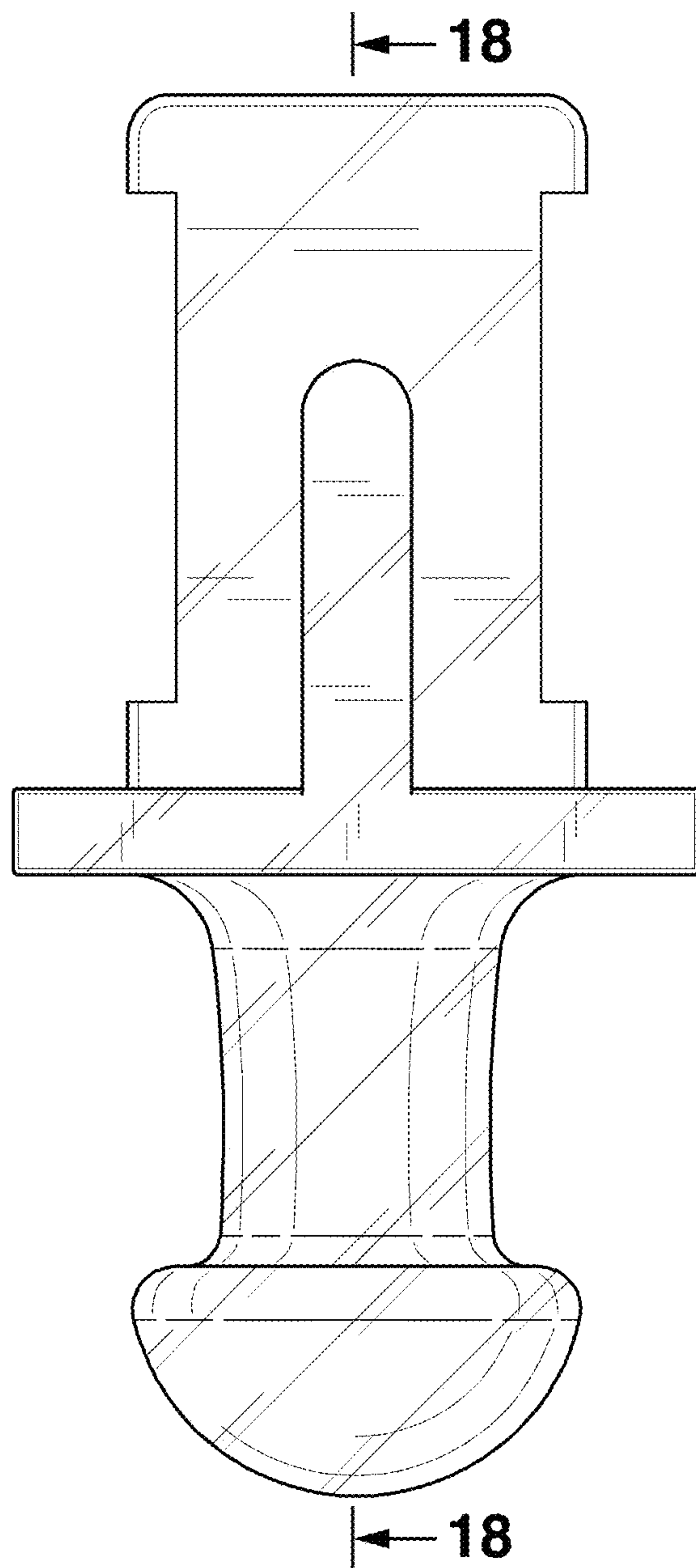


FIG. 15

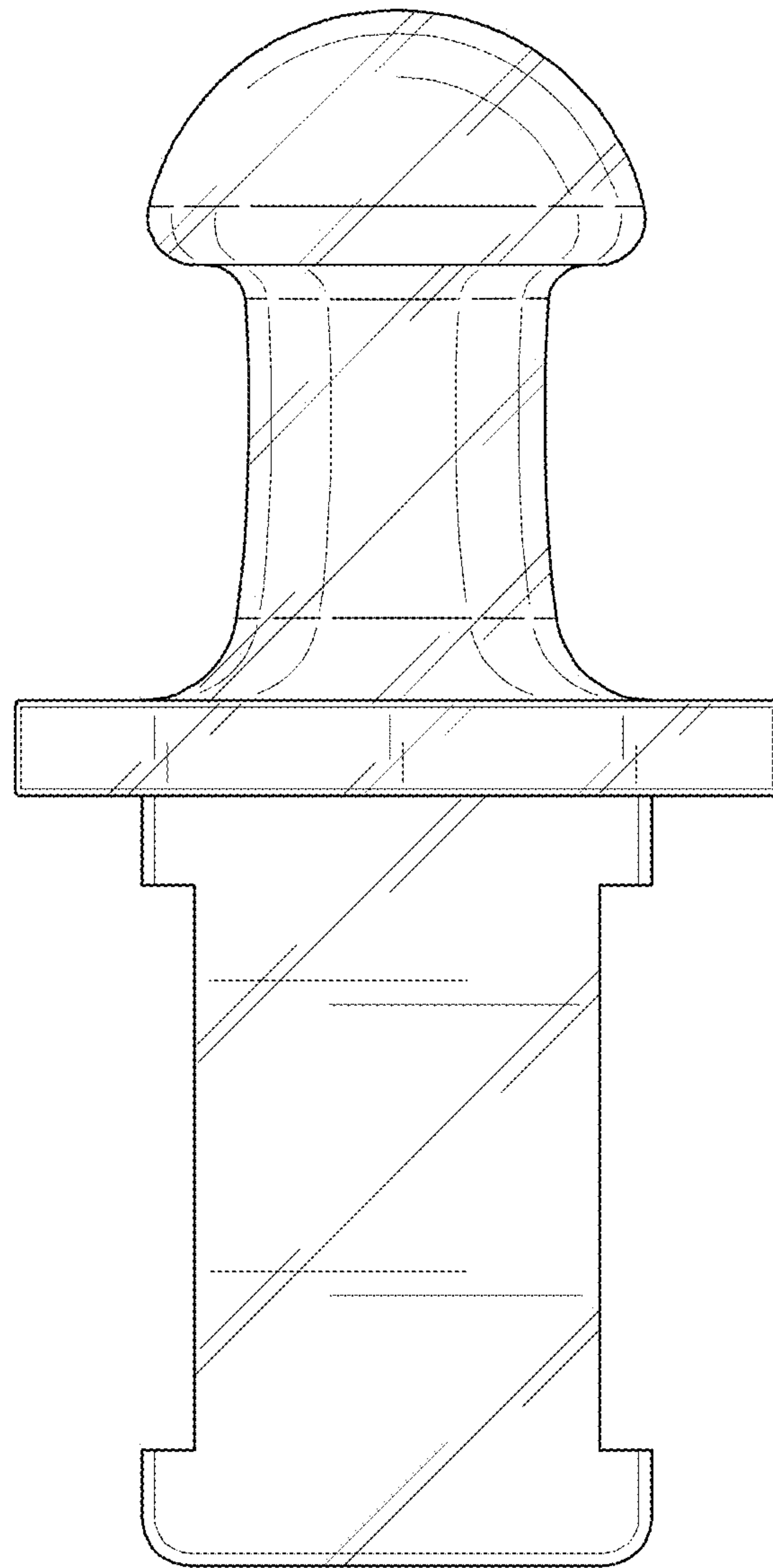


FIG. 16

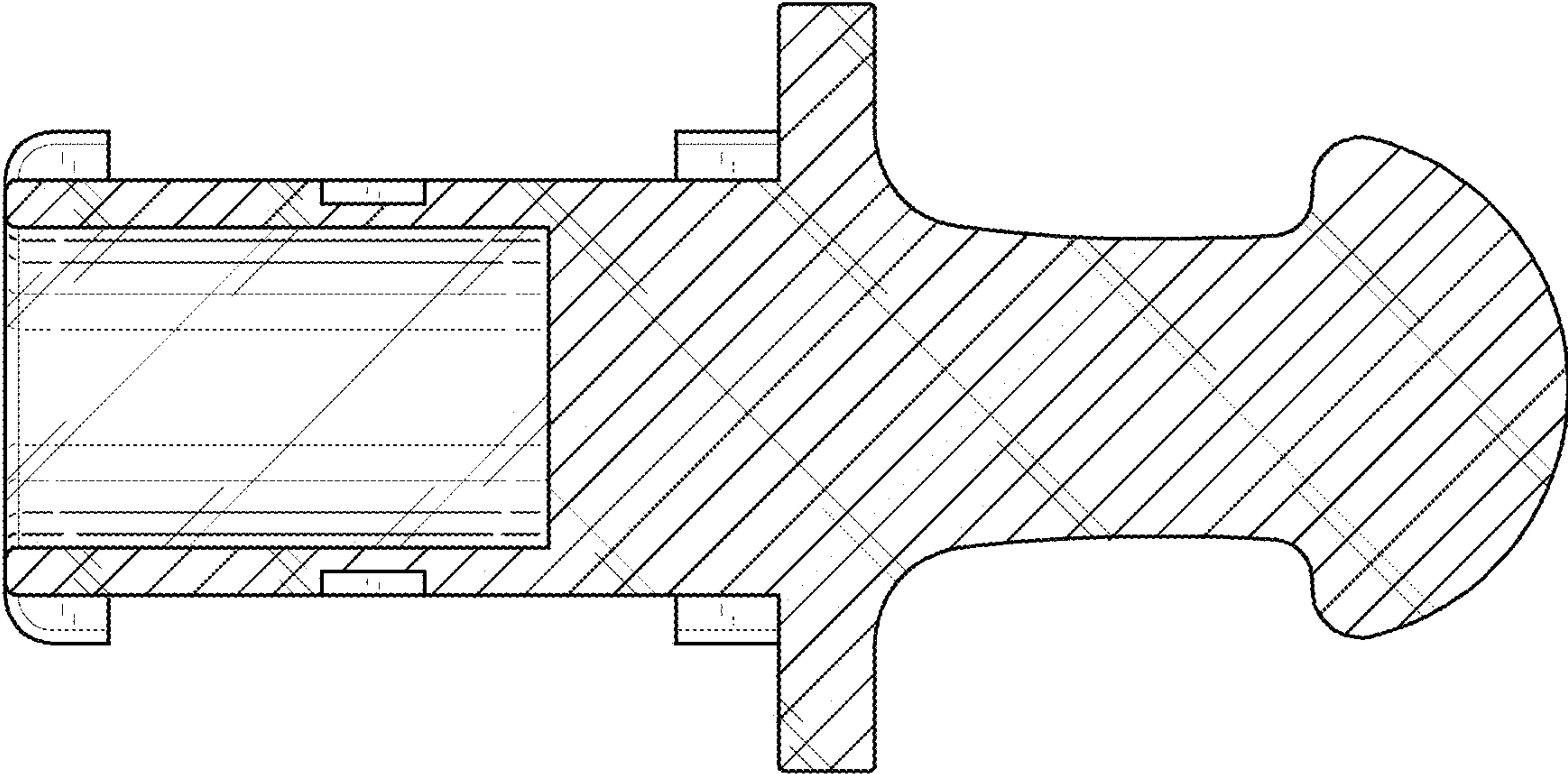


FIG. 17

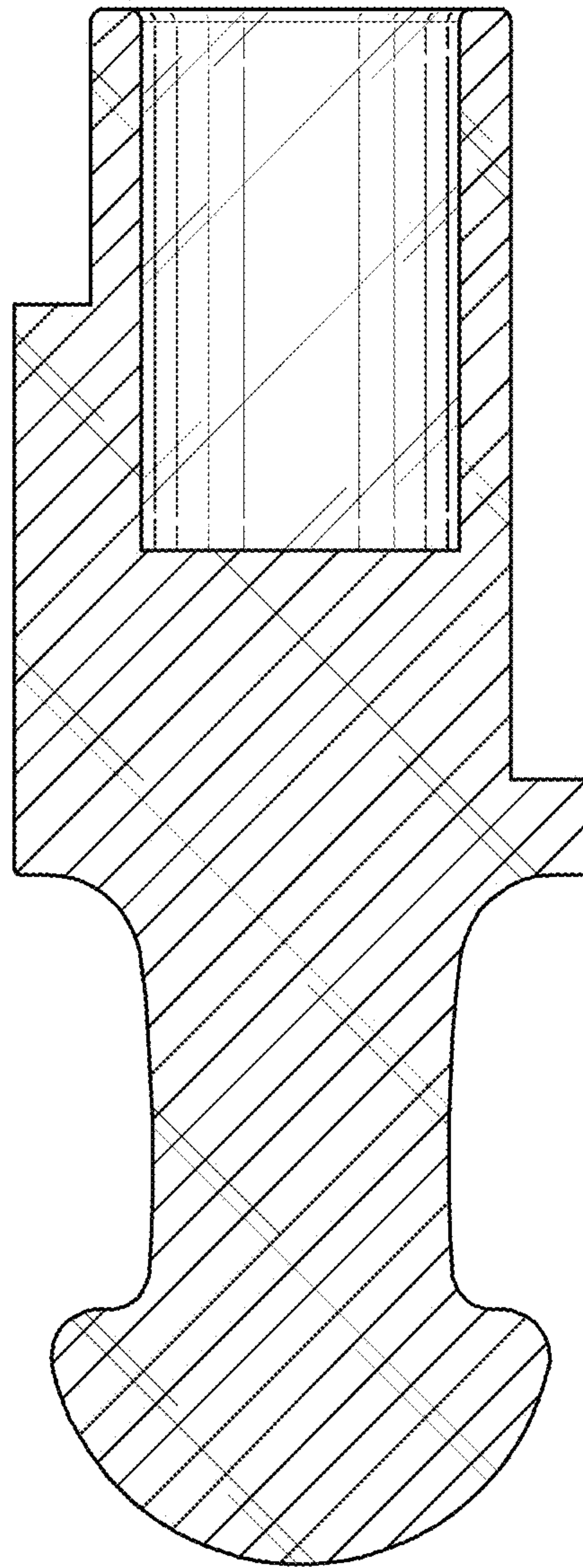


FIG. 18