



US00D913962S

(12) **United States Design Patent** (10) **Patent No.:** **US D913,962 S**
Campos (45) **Date of Patent:** **** Mar. 23, 2021**

(54) **MODULAR CONDUIT CABLE MANAGEMENT SYSTEM**

(74) *Attorney, Agent, or Firm* — Rashauna Norment

(71) Applicant: **Luis Campos**, North Little Rock, AR (US)

(57) **CLAIM**

The ornamental design for a modular conduit cable management system, as shown and described.

(72) Inventor: **Luis Campos**, North Little Rock, AR (US)

DESCRIPTION

(**) Term: **15 Years**

FIG. 1 is an exploded perspective view of a modular conduit cable management system showing my new design; FIG. 2 is another exploded perspective view thereof; FIG. 3 is an exploded top plan view thereof; FIG. 4 is an exploded bottom plan view thereof; FIG. 5 is an exploded front elevation view thereof; FIG. 6 is an exploded rear elevation view thereof; FIG. 7 is an exploded left side elevation view thereof; FIG. 8 is an exploded right side elevation view thereof; FIG. 9 is an exploded cross-section view thereof; FIG. 10 is an exploded cross-section view thereof; FIG. 11 is a perspective view thereof, shown in use; FIG. 12 is another perspective view thereof, shown in use; FIG. 13 is an exploded perspective view thereof, shown in use; FIG. 14 is another exploded perspective view thereof, shown in use; FIG. 15 is a top plan view thereof, shown in use; FIG. 16 is a bottom plan view thereof, shown in use; FIG. 17 is an exploded front elevation view thereof, shown in use; FIG. 18 is an exploded rear elevation view thereof, shown in use; FIG. 19 is an exploded left elevation view thereof, shown in use; FIG. 20 is an exploded right elevation view thereof, shown in use; FIG. 21 is a front elevation view thereof, shown in use; FIG. 22 is a rear elevation view thereof, shown in use; FIG. 23 is a left elevation view thereof, shown in use; FIG. 24 is a right elevation view thereof, shown in use; FIG. 25 is a cross-section view thereof, shown in use; FIG. 26 is a perspective view thereof, shown in use and with environment;

(21) Appl. No.: **29/722,843**

(22) Filed: **Feb. 2, 2020**

Related U.S. Application Data

(63) Continuation-in-part of application No. 16/539,229, filed on Aug. 13, 2019, and a continuation-in-part of application No. 29/701,620, filed on Aug. 13, 2019.

(51) **LOC (13) Cl.** **13-03**

(52) **U.S. Cl.**
USPC **D13/155**

(58) **Field of Classification Search**
USPC D8/349, 354, 356, 394, 396; D13/155, D13/153, 156, 157, 184, 199
(Continued)

(56) **References Cited**

U.S. PATENT DOCUMENTS

277,374 A * 5/1883 Strohm H01B 3/082
174/111
289,164 A * 11/1883 Strohm H01B 3/082
174/111

(Continued)

FOREIGN PATENT DOCUMENTS

EP 2000724 10/2008
EP 2760091 12/2017

Primary Examiner — Jennifer O King

(Continued)

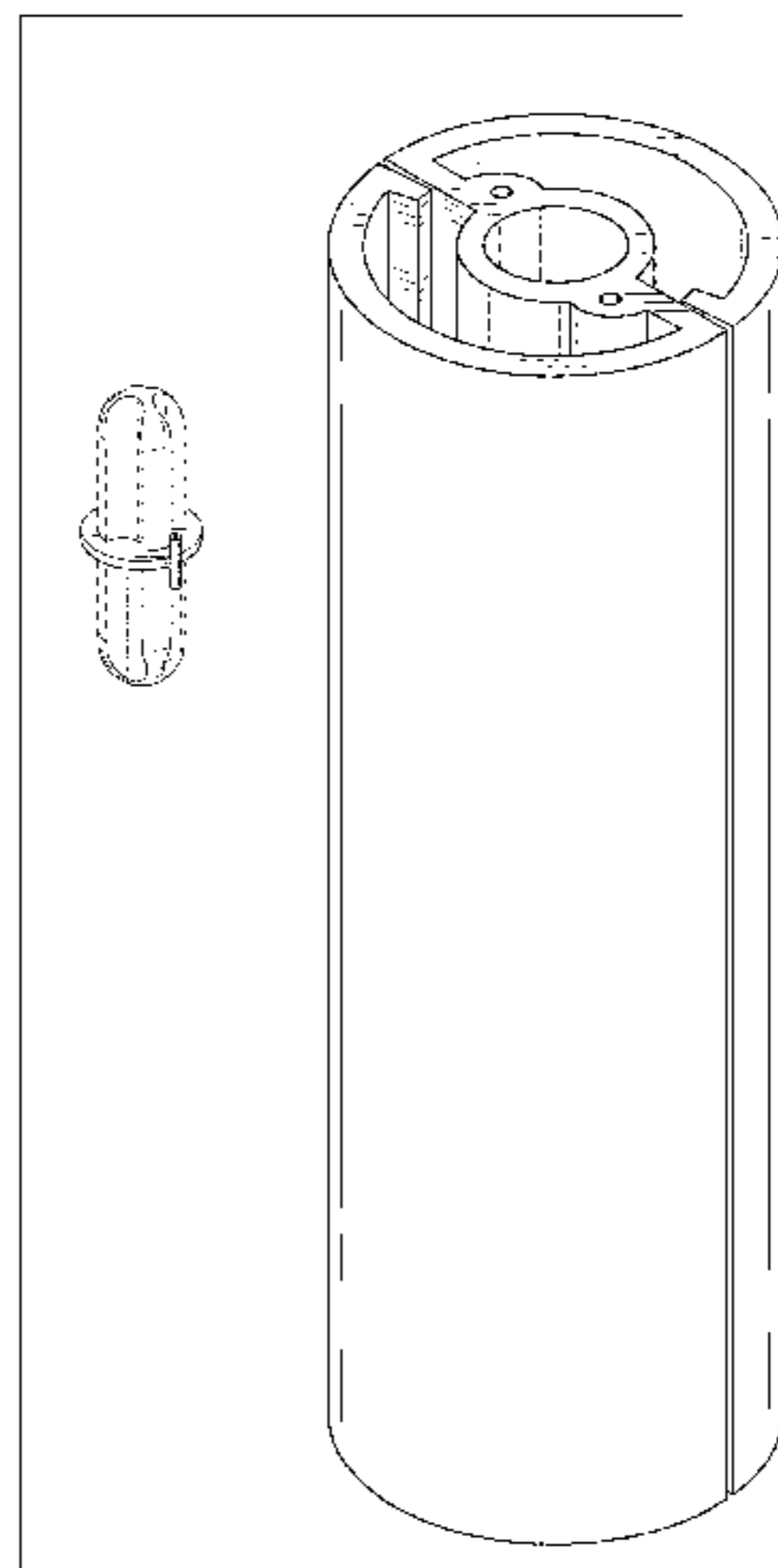


FIG. 27 is another perspective view thereof, shown in use and with environment;
 FIG. 28 is another perspective view thereof, shown in use and with environment;
 FIG. 29 is a top plan view thereof, shown in use and with environment;
 FIG. 30 is a bottom plan view thereof, shown in use and with environment;
 FIG. 31 is a front elevation view thereof, shown in use and with environment;
 FIG. 32 is a rear elevation view thereof, shown in use and with environment;
 FIG. 33 is a left elevation view thereof, shown in use and with environment;
 FIG. 34 is a right elevation view thereof, shown in use and with environment;
 FIG. 35 is a perspective view thereof, shown in use and with additional environment;
 FIG. 36 is an exploded perspective view of another embodiment of the modular conduit cable management system of my new design;
 FIG. 37 is another exploded perspective view thereof;
 FIG. 38 is an exploded top plan view thereof;
 FIG. 39 is an exploded bottom plan view thereof;
 FIG. 40 is an exploded front elevation view thereof;
 FIG. 41 is an exploded rear elevation view thereof;
 FIG. 42 is an exploded left side elevation view thereof;
 FIG. 43 is an exploded right elevation view thereof;
 FIG. 44 is an exploded cross-section view thereof;
 FIG. 45 is an exploded cross-section view thereof;
 FIG. 46 is a perspective view thereof, shown in use;
 FIG. 47 is a perspective view thereof, shown in use;
 FIG. 48 is an exploded perspective view thereof, shown in use;
 FIG. 49 is another perspective view thereof, shown in use;
 FIG. 50 is a front elevation view thereof, shown in use;
 FIG. 51 is a rear elevation view thereof, shown in use;
 FIG. 52 is a left elevation view thereof, shown in use;
 FIG. 53 is a right elevation view thereof, shown in use;
 FIG. 54 is a cross-section view thereof, shown in use;
 FIG. 55 is another perspective view thereof, shown in use and with environment;
 FIG. 56 is another perspective view thereof, shown in use and with environment;
 FIG. 57 is another perspective view thereof, shown in use and with environment;

FIG. 58 is a top plan view thereof, shown in use and with environment;
 FIG. 59 is a bottom plan view thereof, shown in use and with environment;
 FIG. 60 is a front elevation view thereof, shown in use and with environment;
 FIG. 61 is a rear elevation view thereof, shown in use and with environment;
 FIG. 62 is a left elevation view thereof, shown in use and with environment;
 FIG. 63 is a right elevation view thereof, shown in use and with environment; and,
 FIG. 64 is a perspective view thereof, shown in use and with additional environment.
 The broken lines shown in FIGS. 26-34 and 55-63 represent portions of the modular conduit cable management system that form no part of the claimed design. The additional broken lines in FIGS. 35 and 64 represent environment.

1 Claim, 37 Drawing Sheets

(58) **Field of Classification Search**
 CPC H01B 3/082; H01R 13/6392; F15L 7/00
 See application file for complete search history.

(56) **References Cited**

U.S. PATENT DOCUMENTS

1,225,867	A	5/1917	Schumacher	
2,024,862	A	12/1935	Hooley	
6,598,835	B2 *	7/2003	Minnick	F16L 5/00 248/56
D707,107	S *	6/2014	Crouse	D8/356
9,274,301	B2	3/2016	Her	
D795,820	S *	8/2017	Wengreen	D13/155
D803,666	S *	11/2017	Morley	D8/356
D817,153	S *	5/2018	Harogolige Padmanabha	D8/356
D822,618	S *	7/2018	Chu	D13/155
D852,143	S *	6/2019	Ku	D13/155
D860,765	S *	9/2019	Tsay	D8/356
D861,622	S *	10/2019	Lawrence	D13/184
D862,395	S *	10/2019	Ruddick	D13/156
10,431,930	B1 *	10/2019	Pearman	H01R 13/6392
D865,692	S *	11/2019	Lawrence	D13/184
2006/0213572	A1	9/2006	Beaulieu	
2011/0095162	A1	4/2011	Parduhn et al.	
2014/0123438	A1	5/2014	Donovan	

* cited by examiner

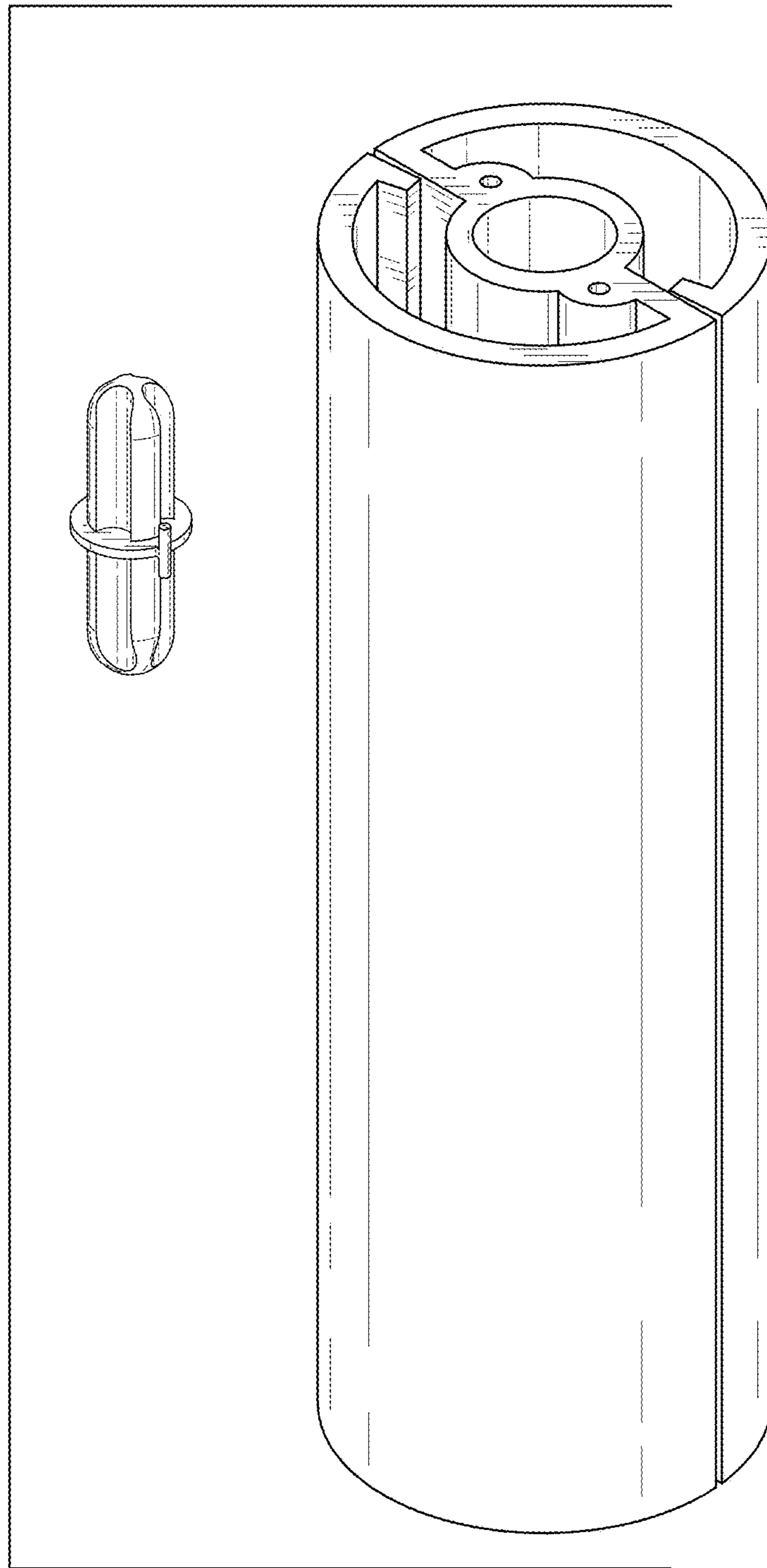


FIG. 1

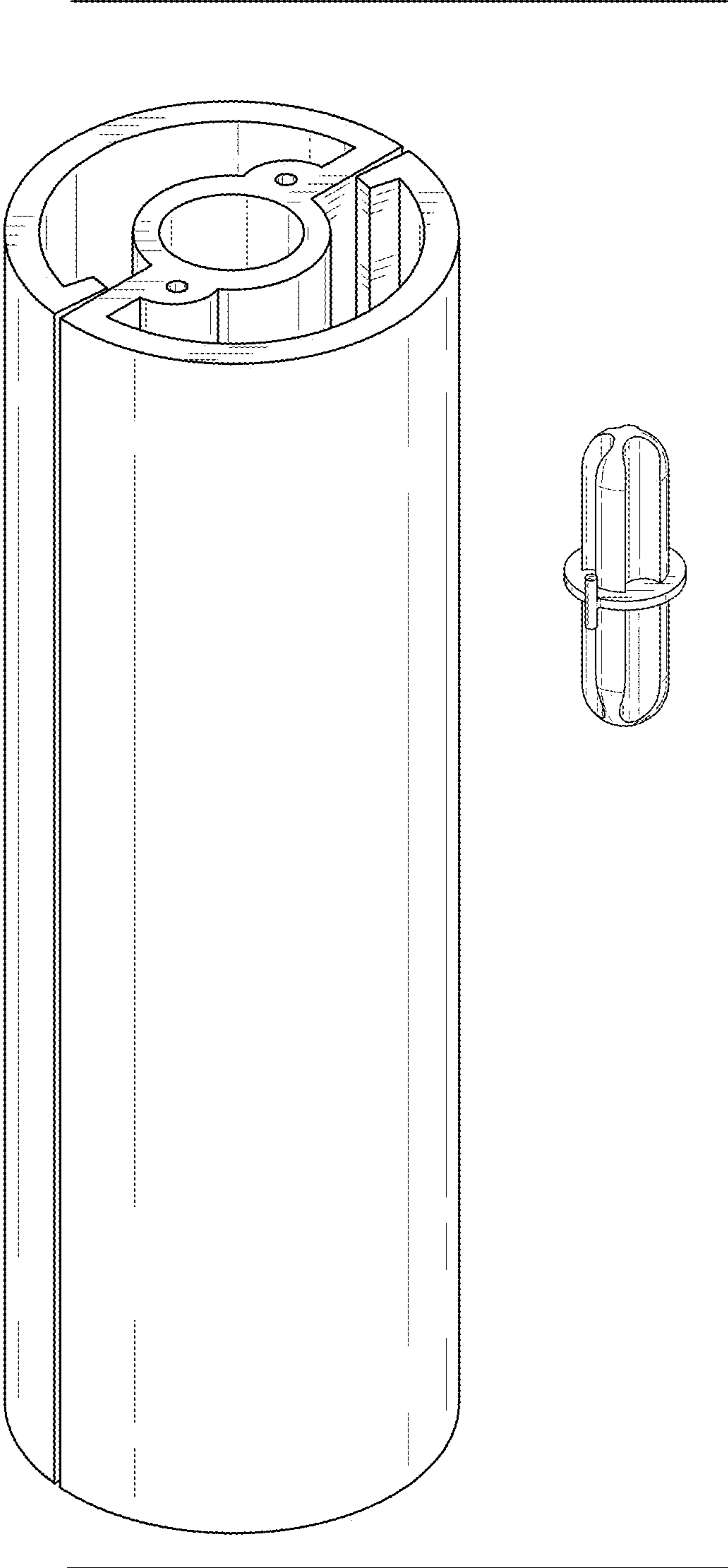


FIG. 2

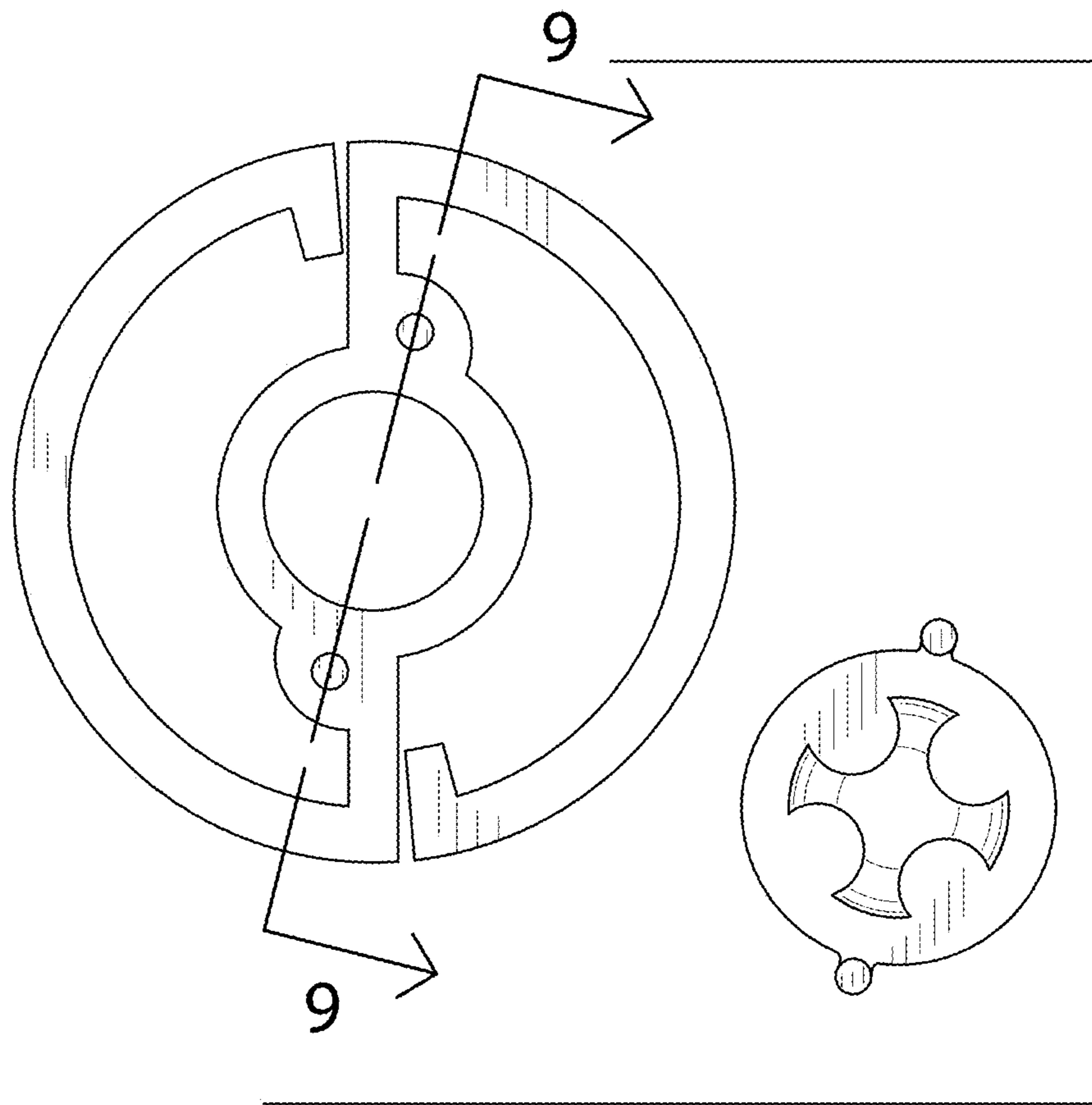


FIG. 3

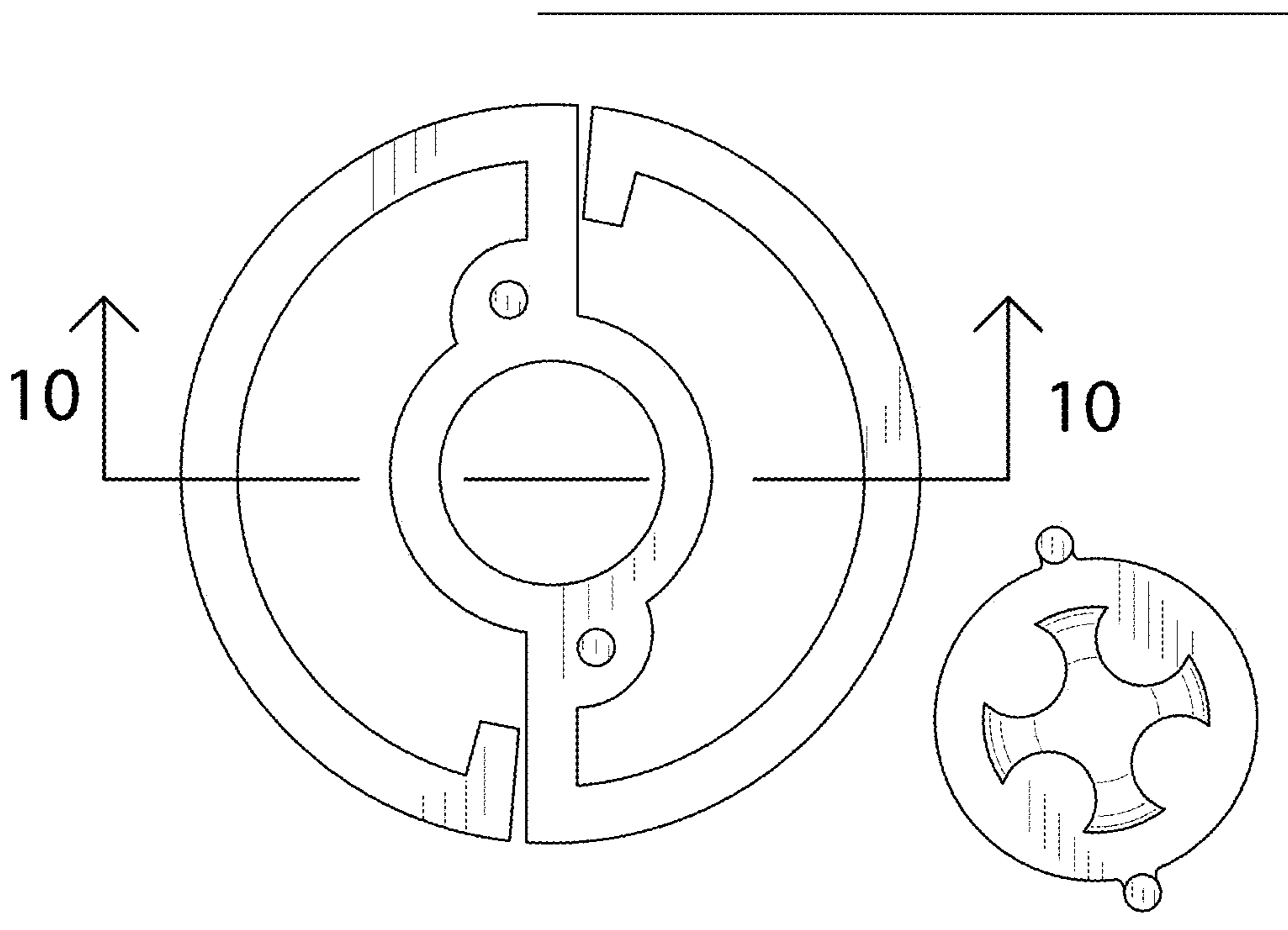


FIG. 4

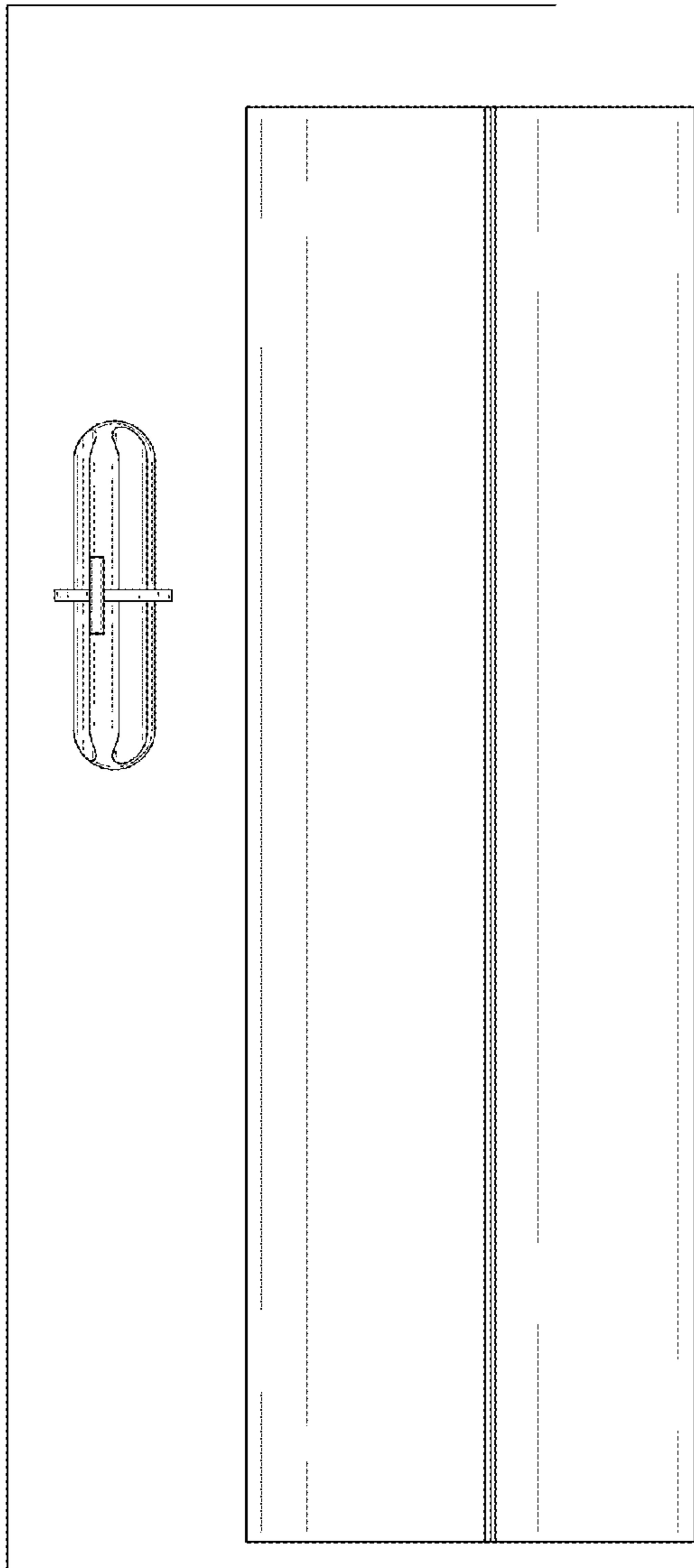


FIG. 5

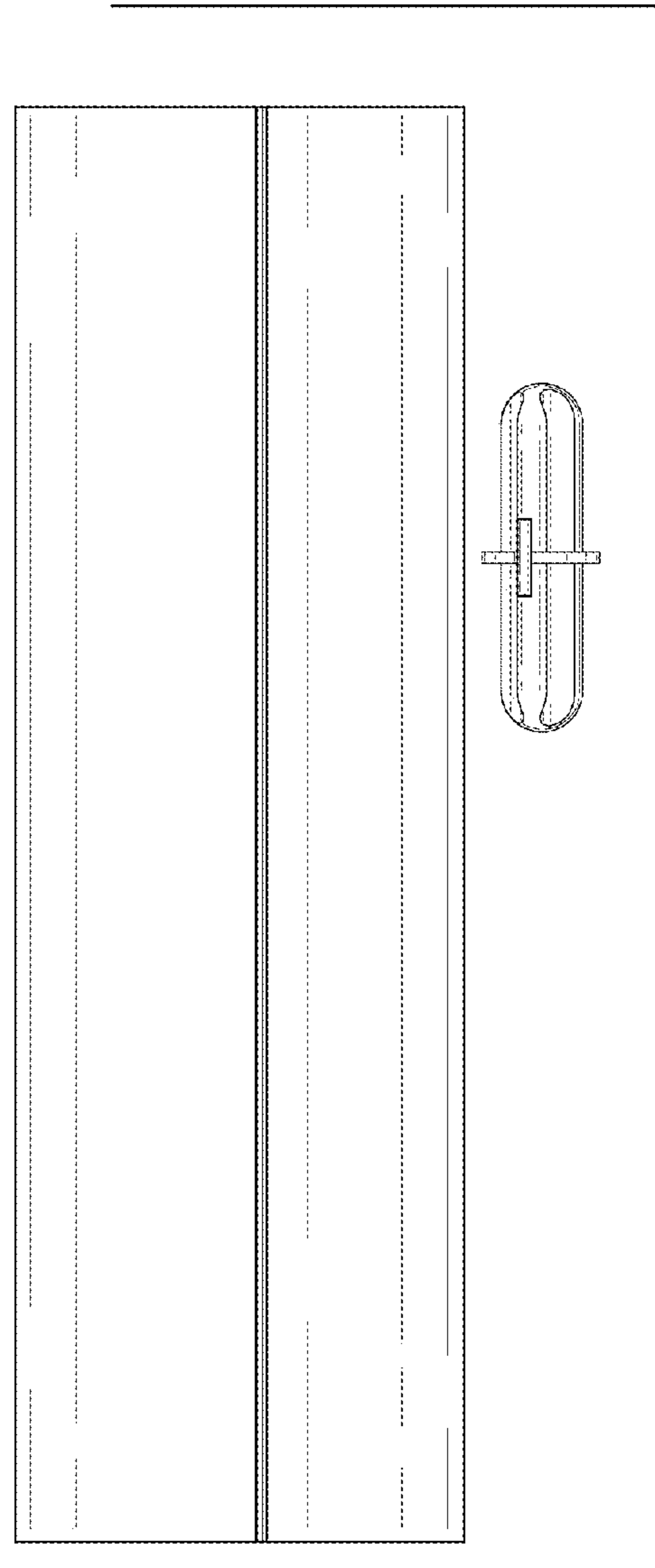


FIG. 6

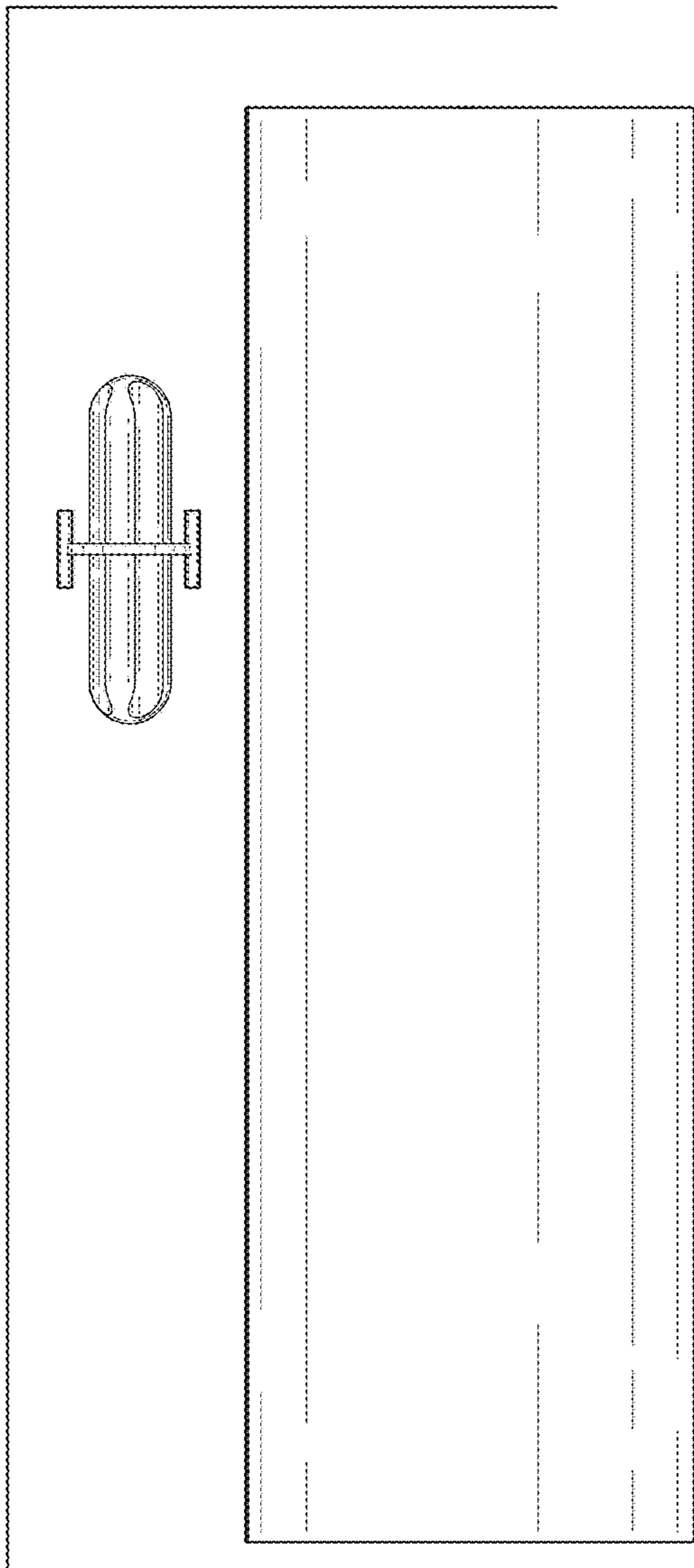


FIG. 7

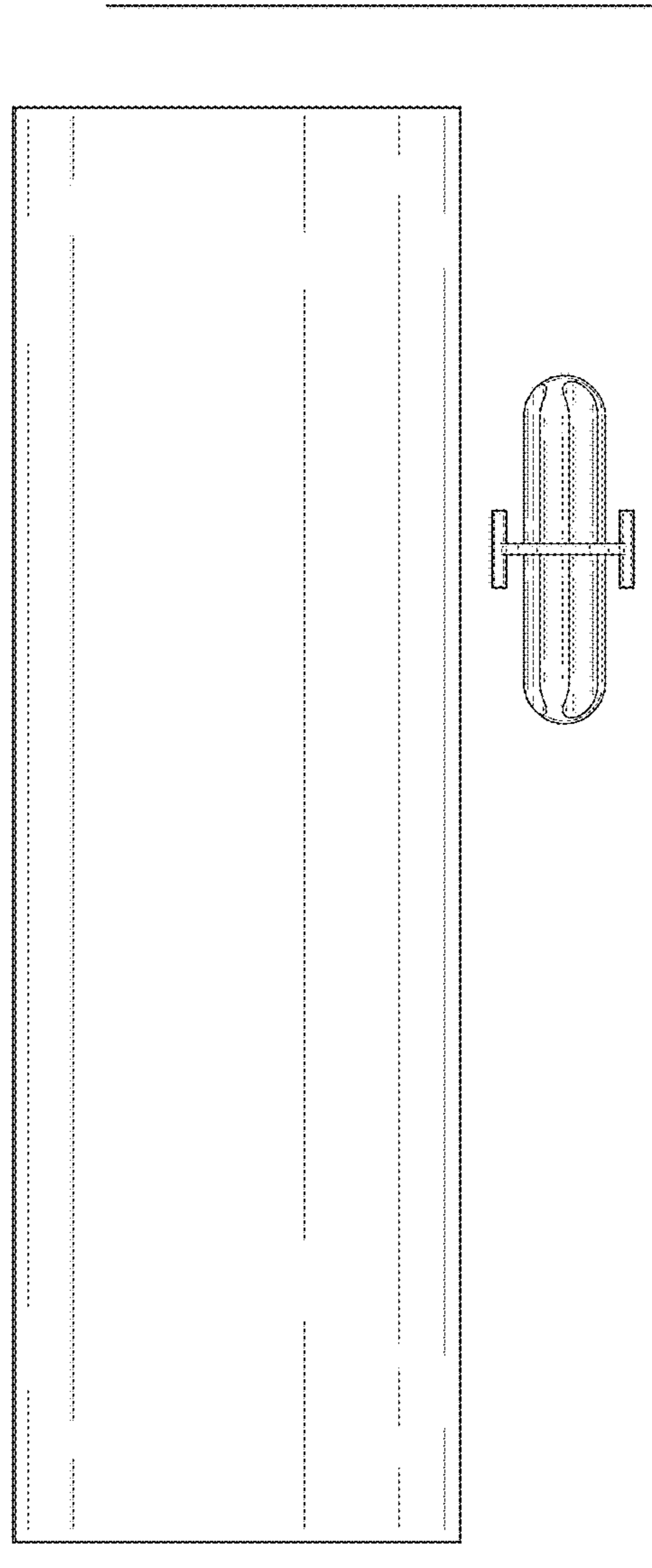


FIG. 8

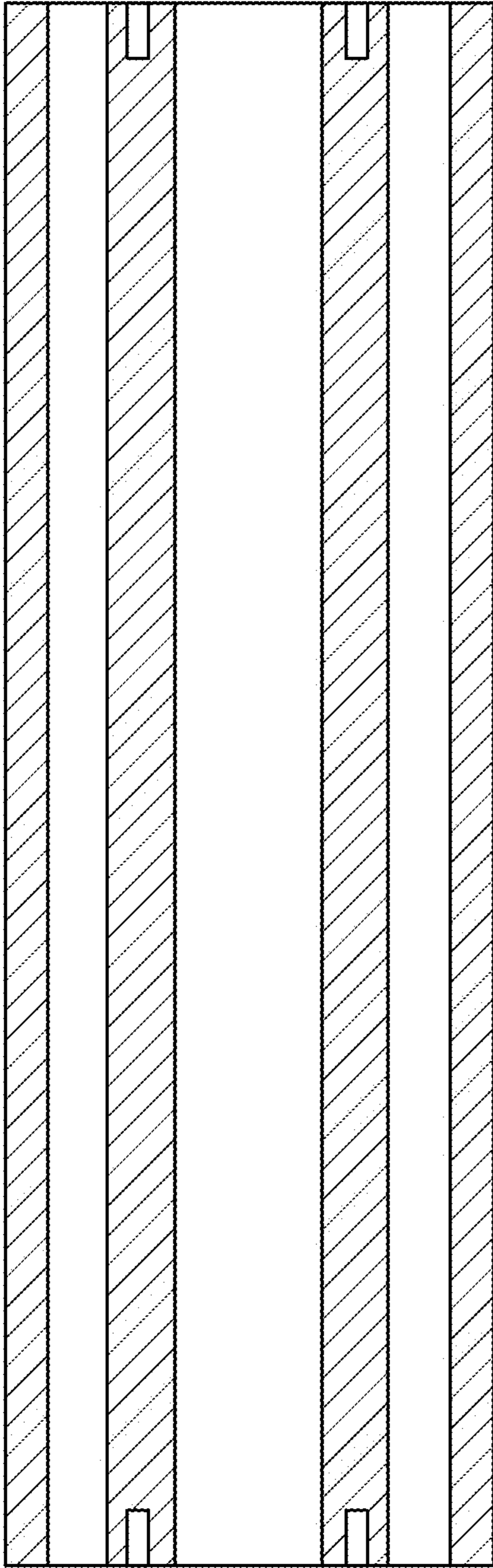


FIG. 9

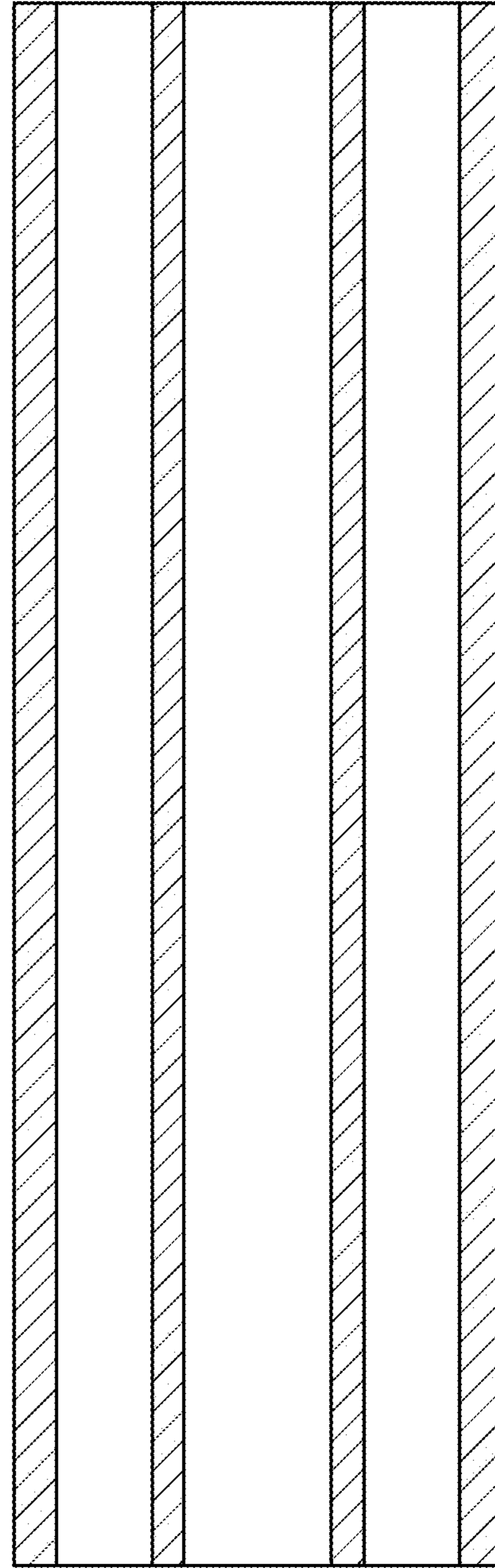


FIG. 10

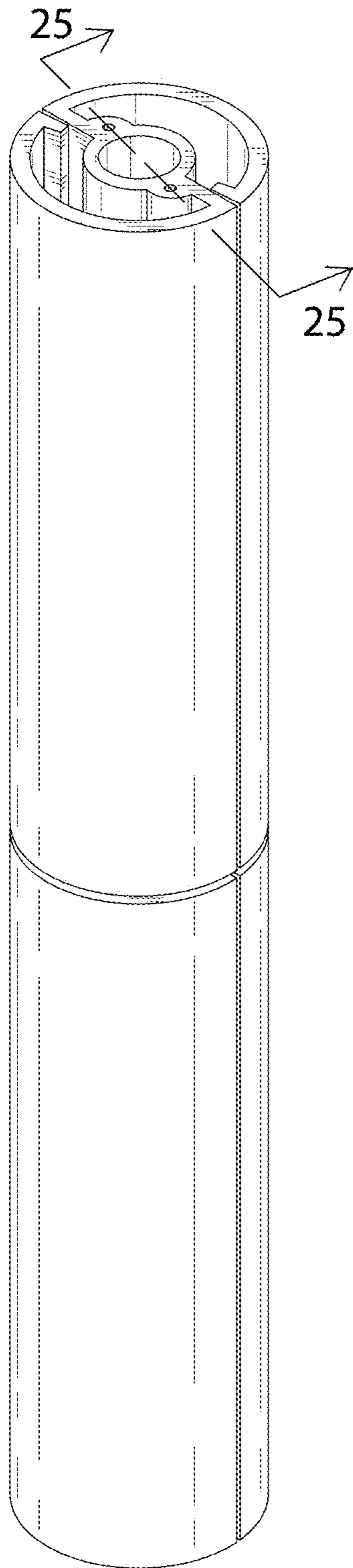


FIG. 11

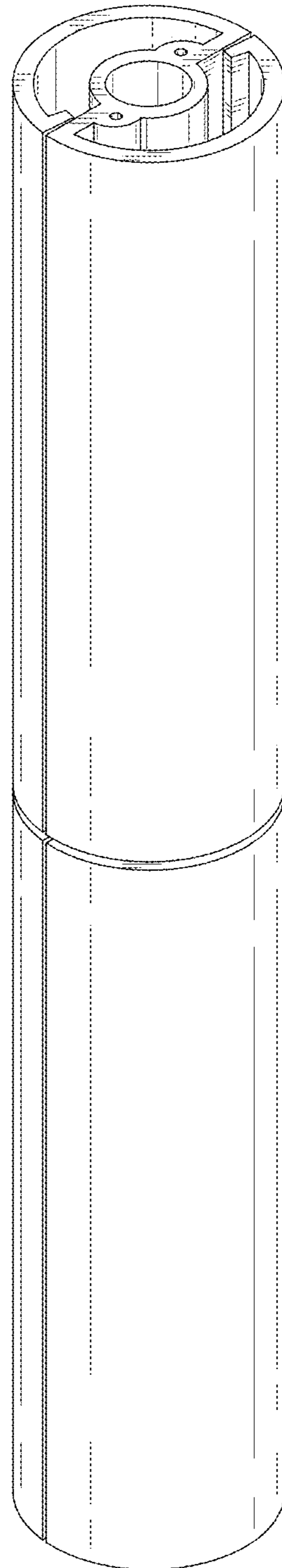


FIG. 12

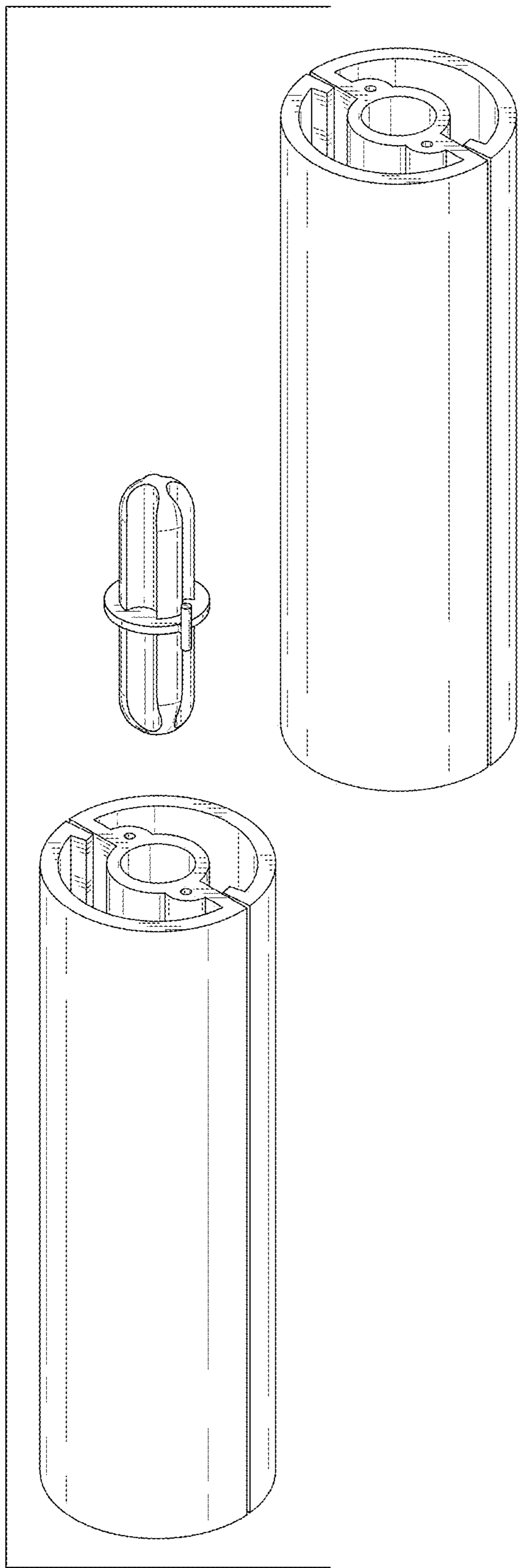


FIG. 13

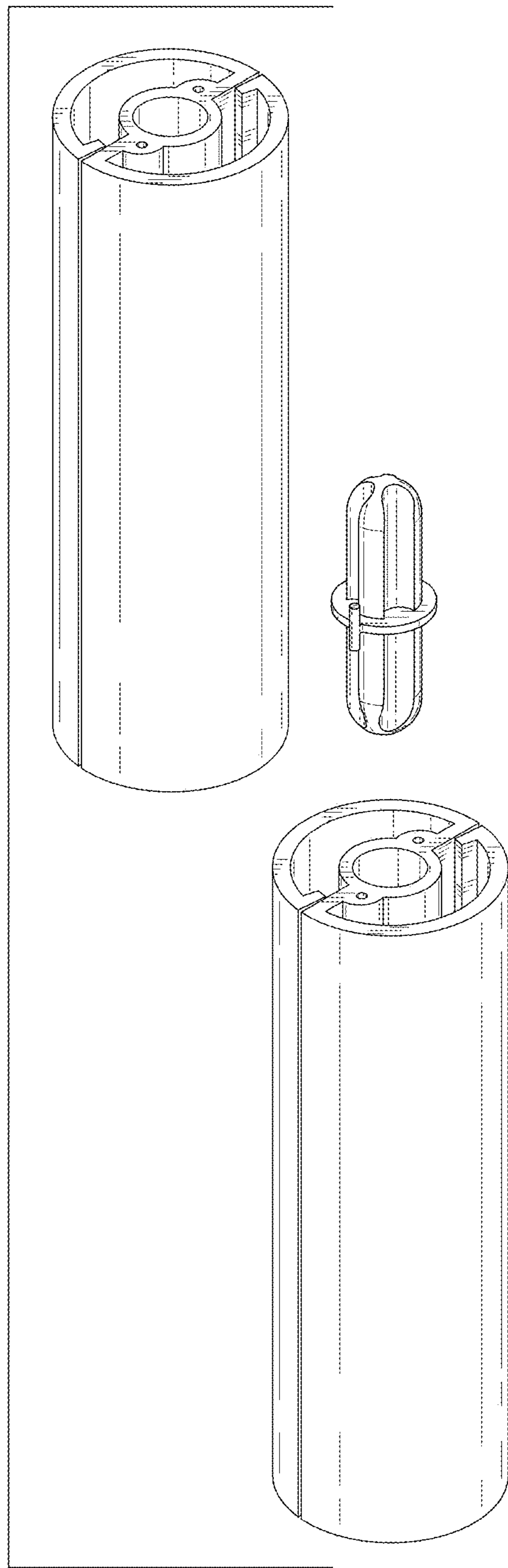


FIG. 14

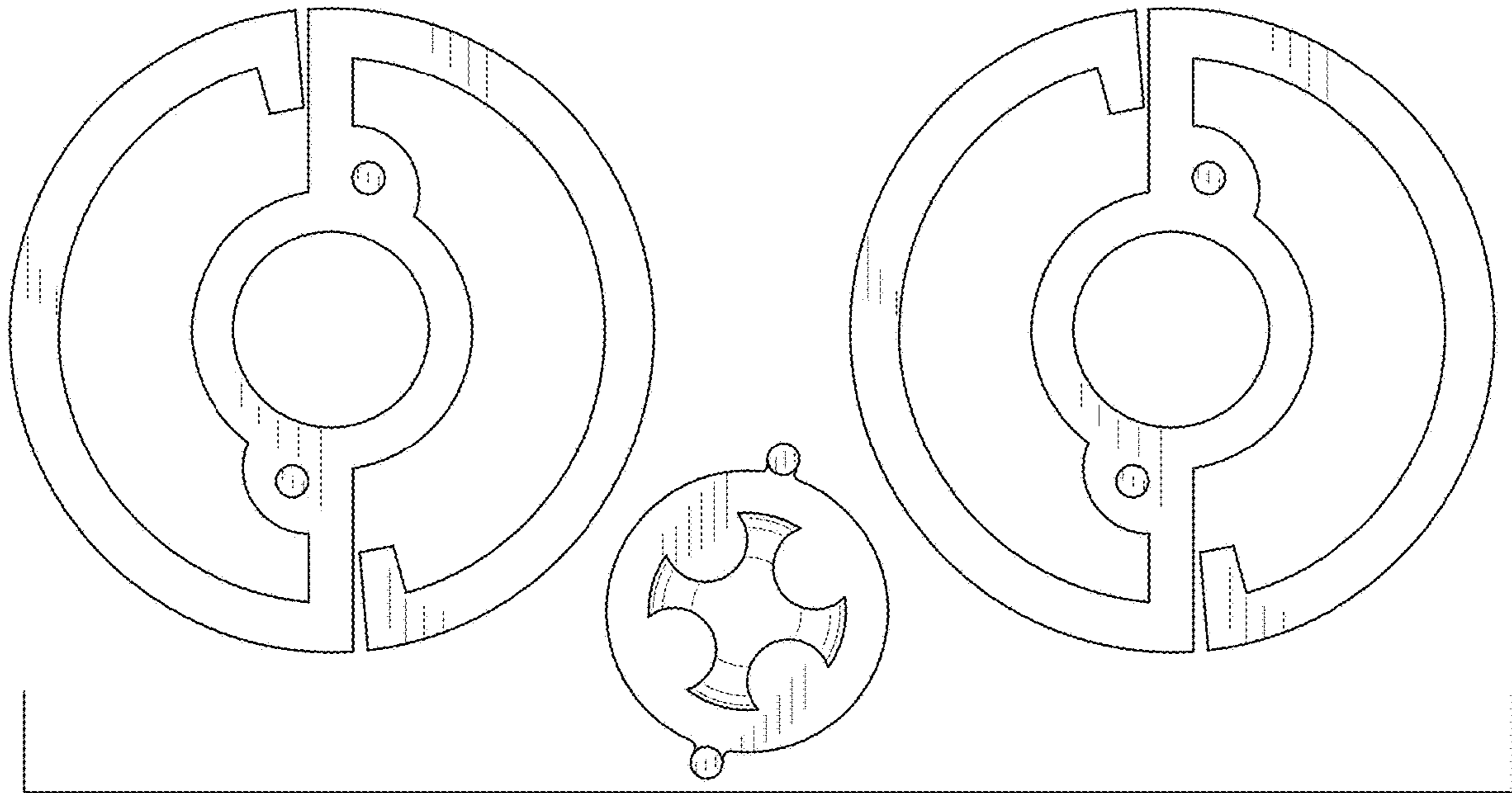


FIG. 15

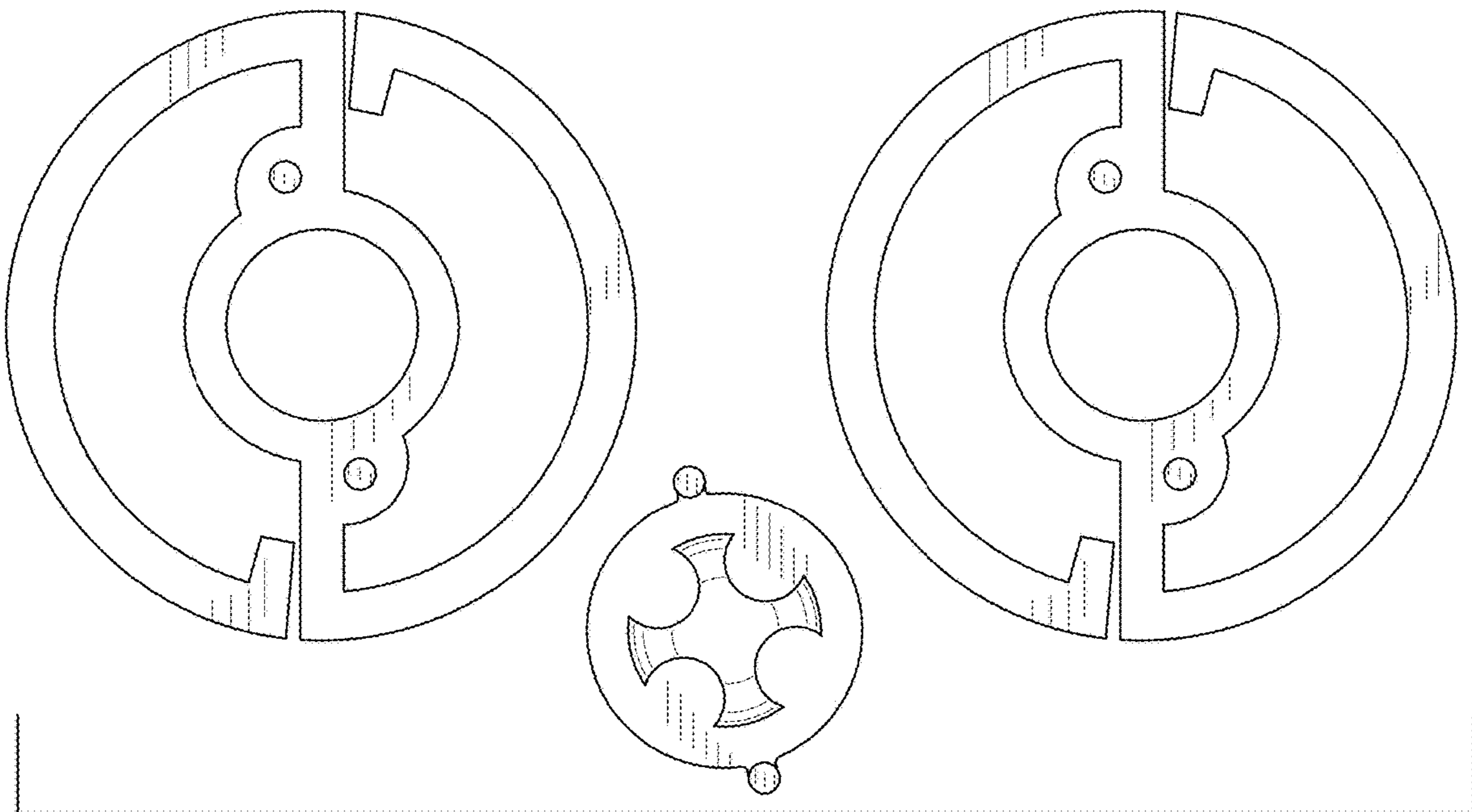


FIG. 16

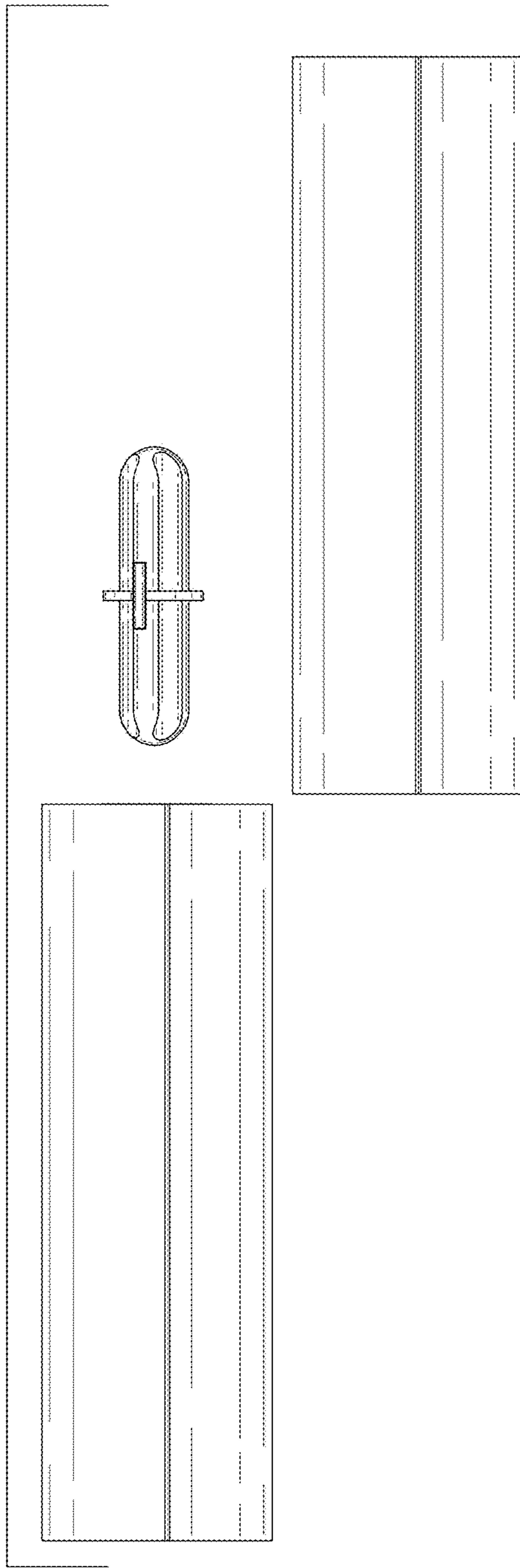


FIG. 17

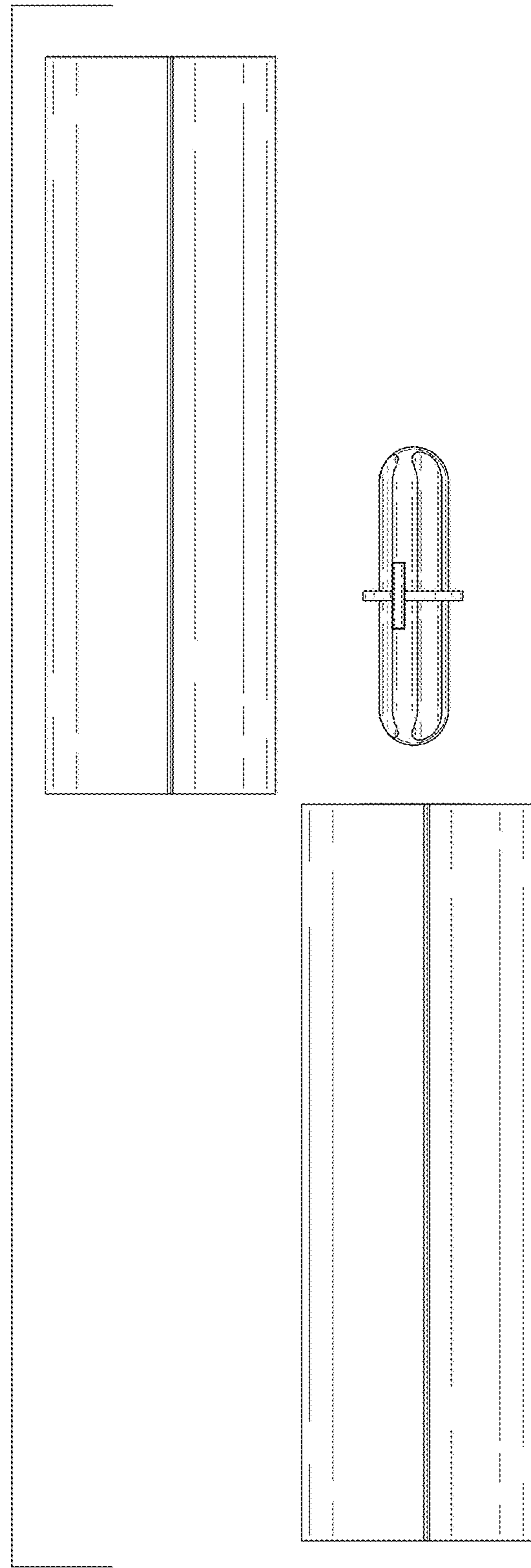


FIG. 18

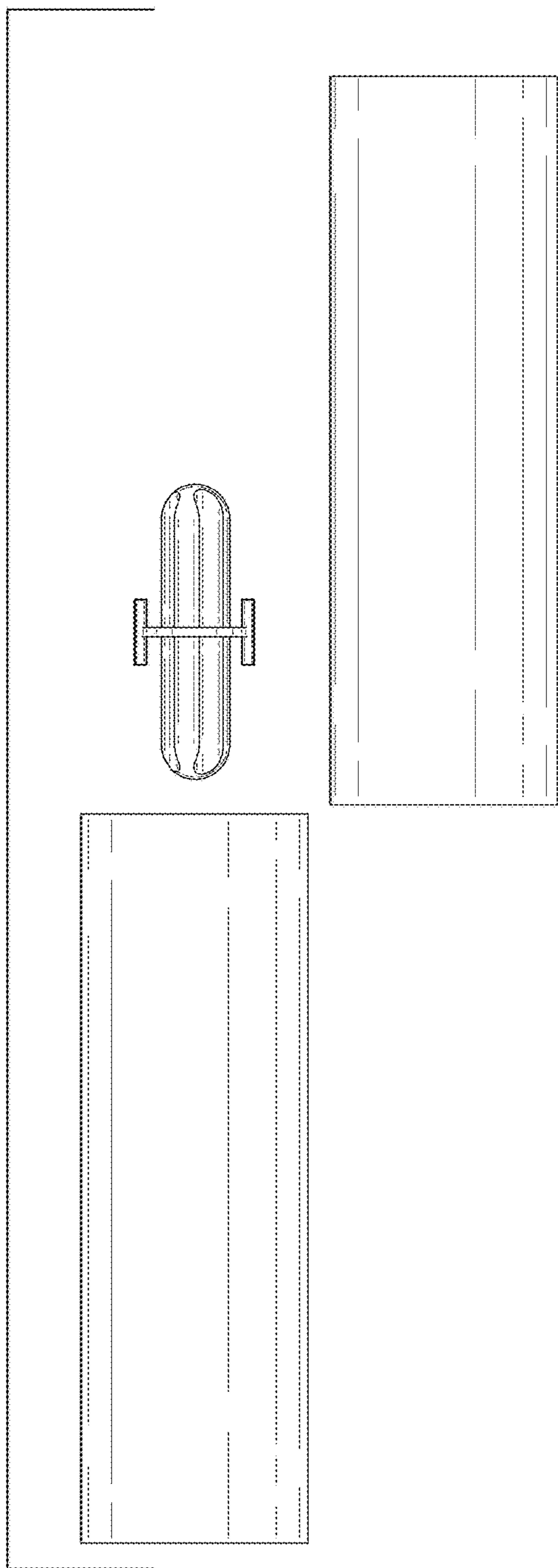


FIG. 19

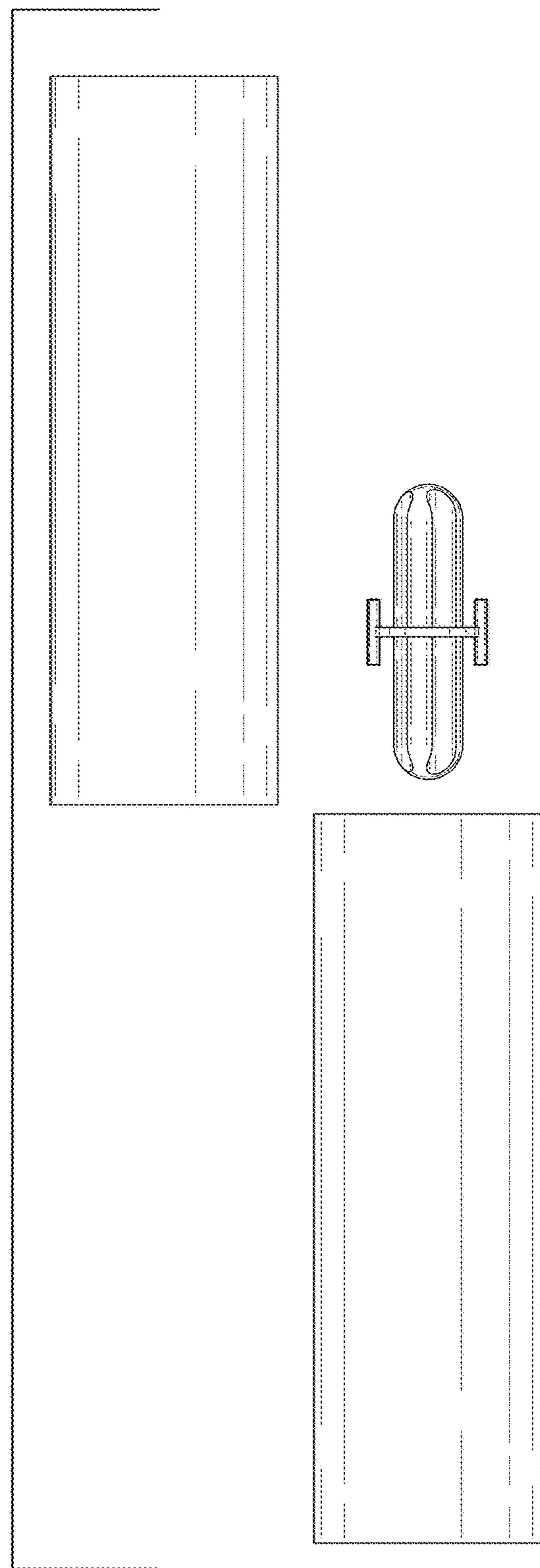


FIG. 20

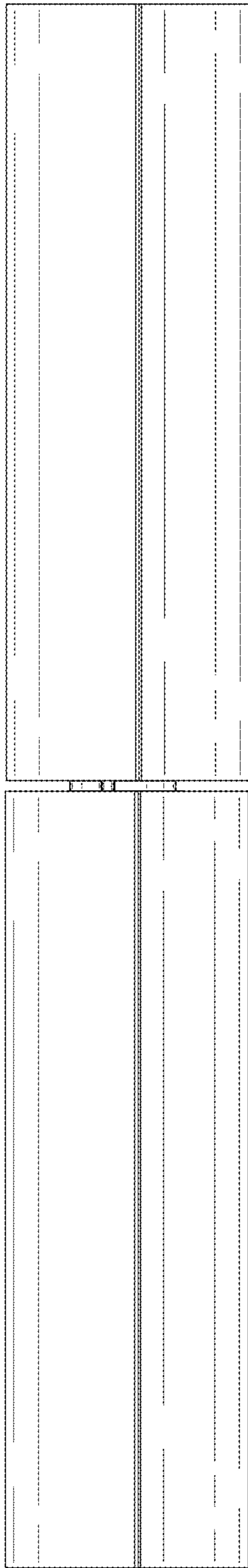


FIG. 21

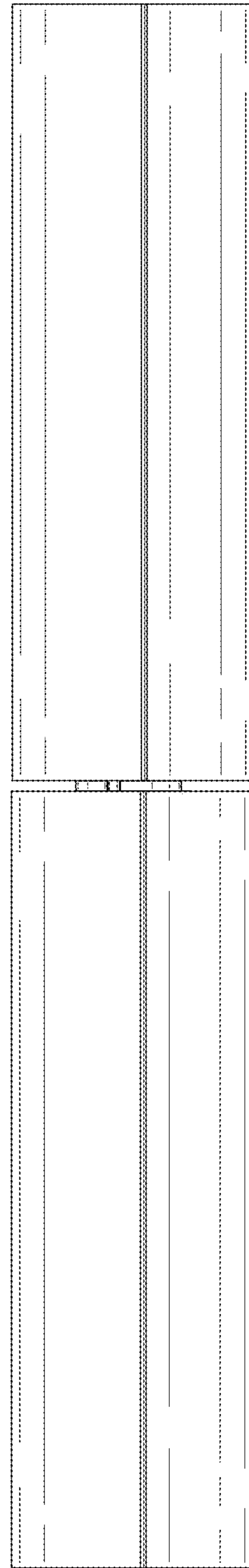


FIG. 22

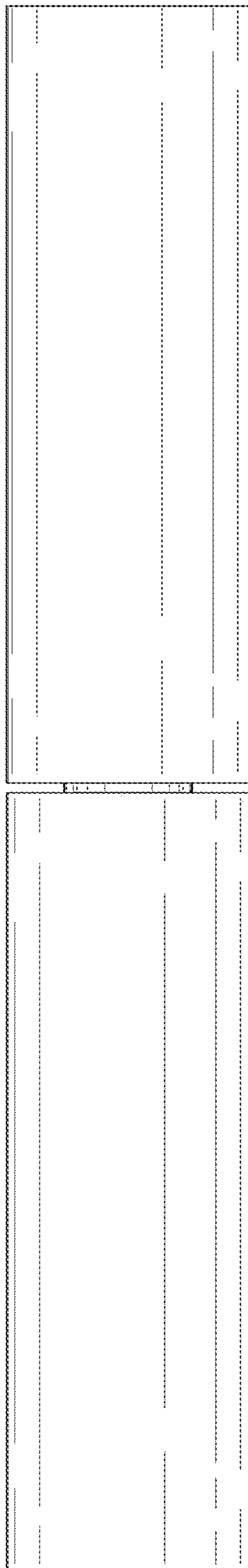


FIG. 23

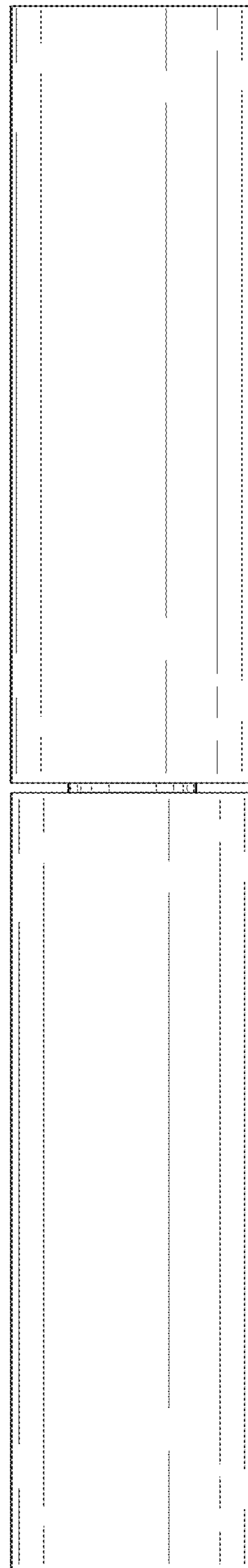


FIG. 24

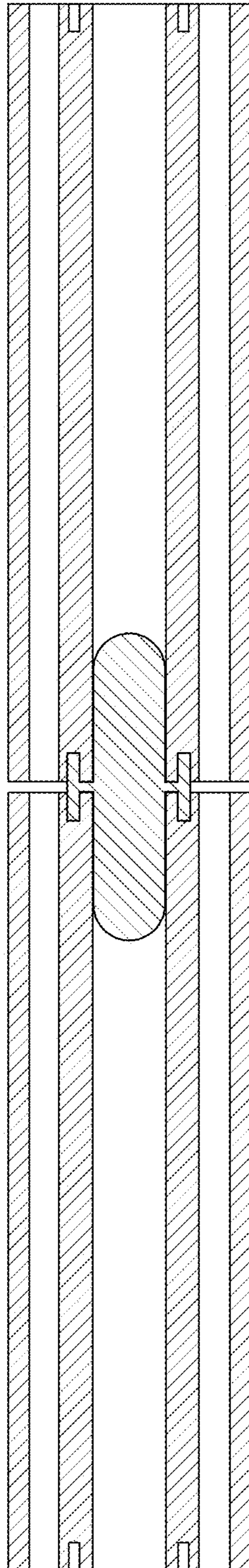


FIG. 25

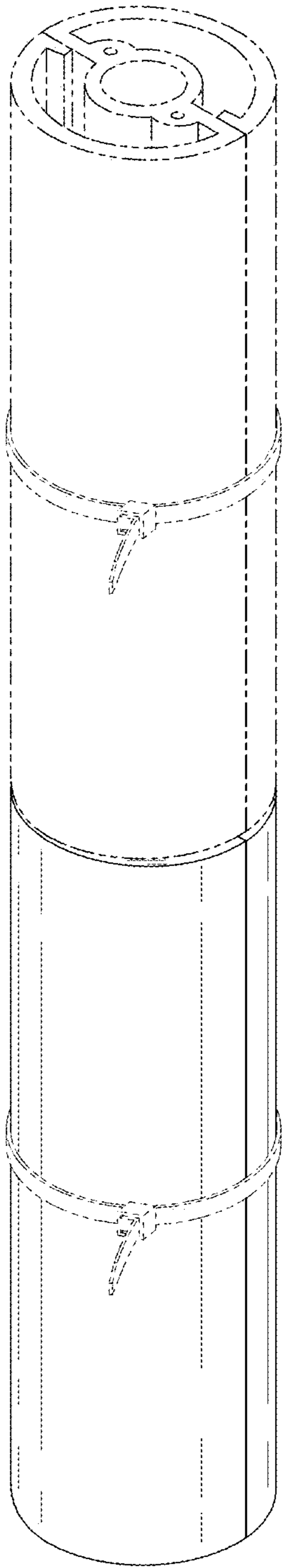


FIG. 26

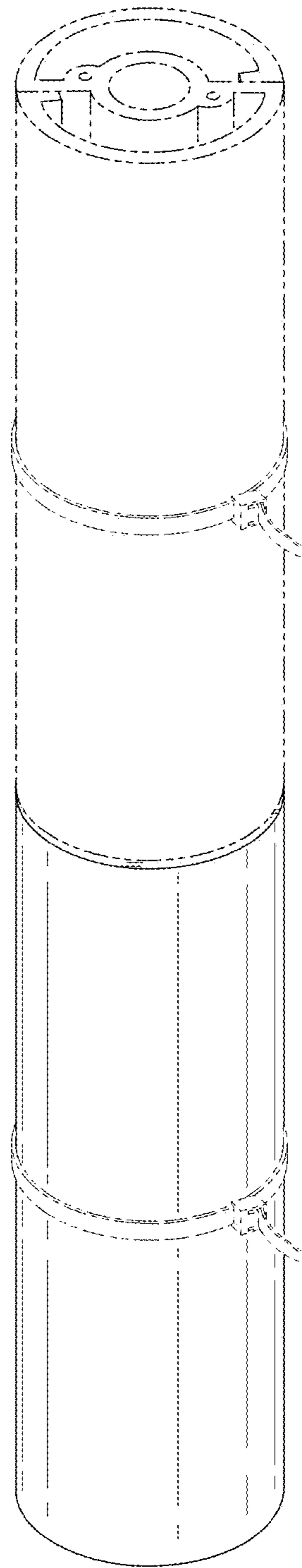


FIG. 27

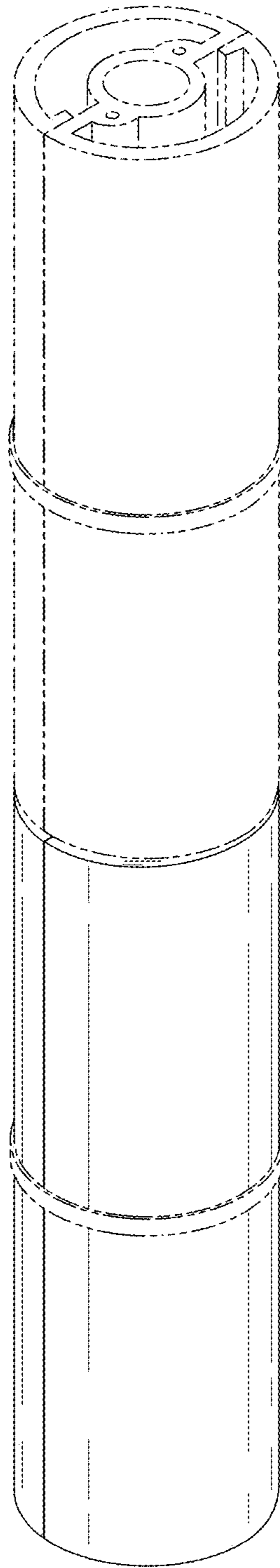


FIG. 28

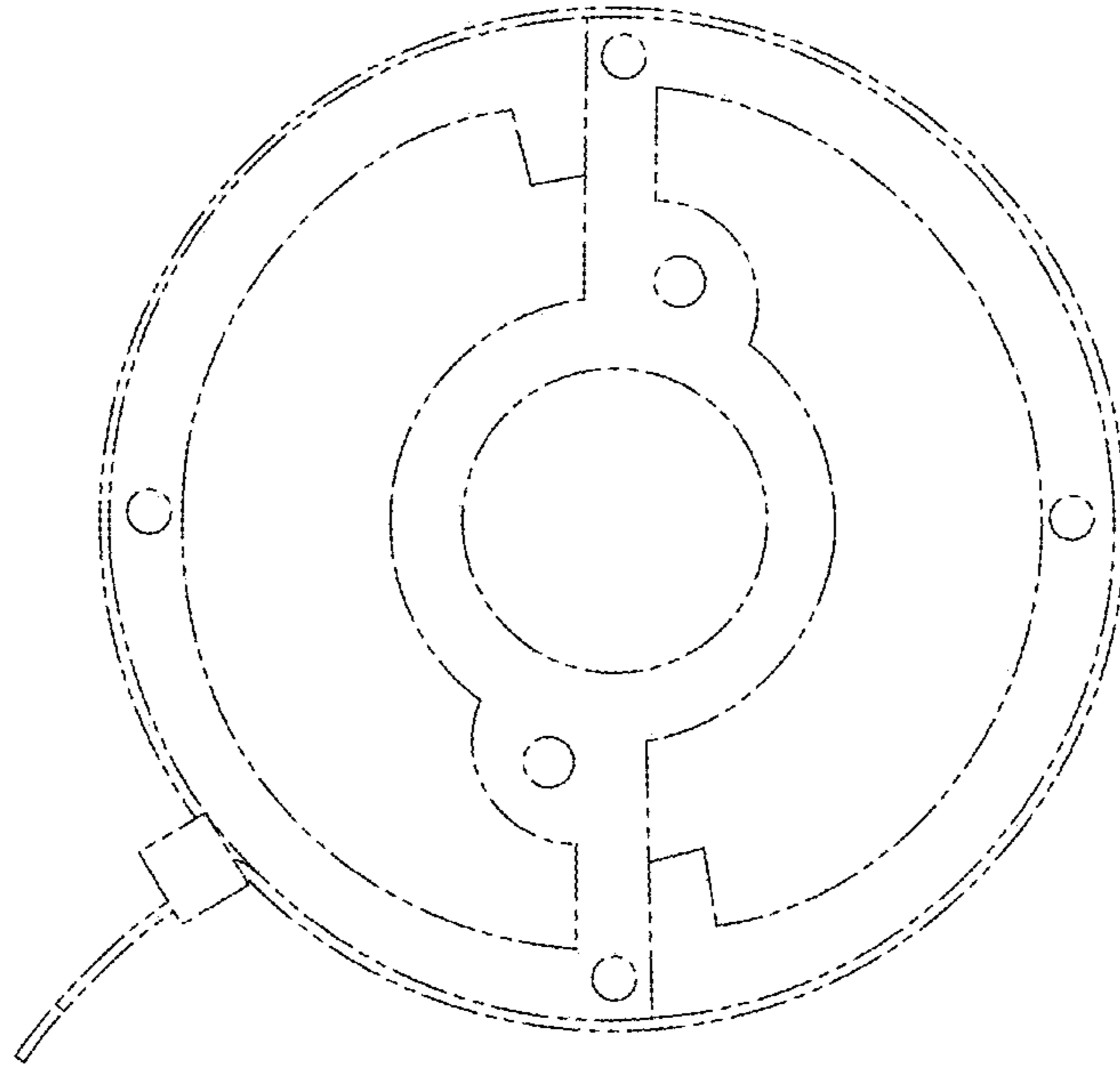


FIG. 29

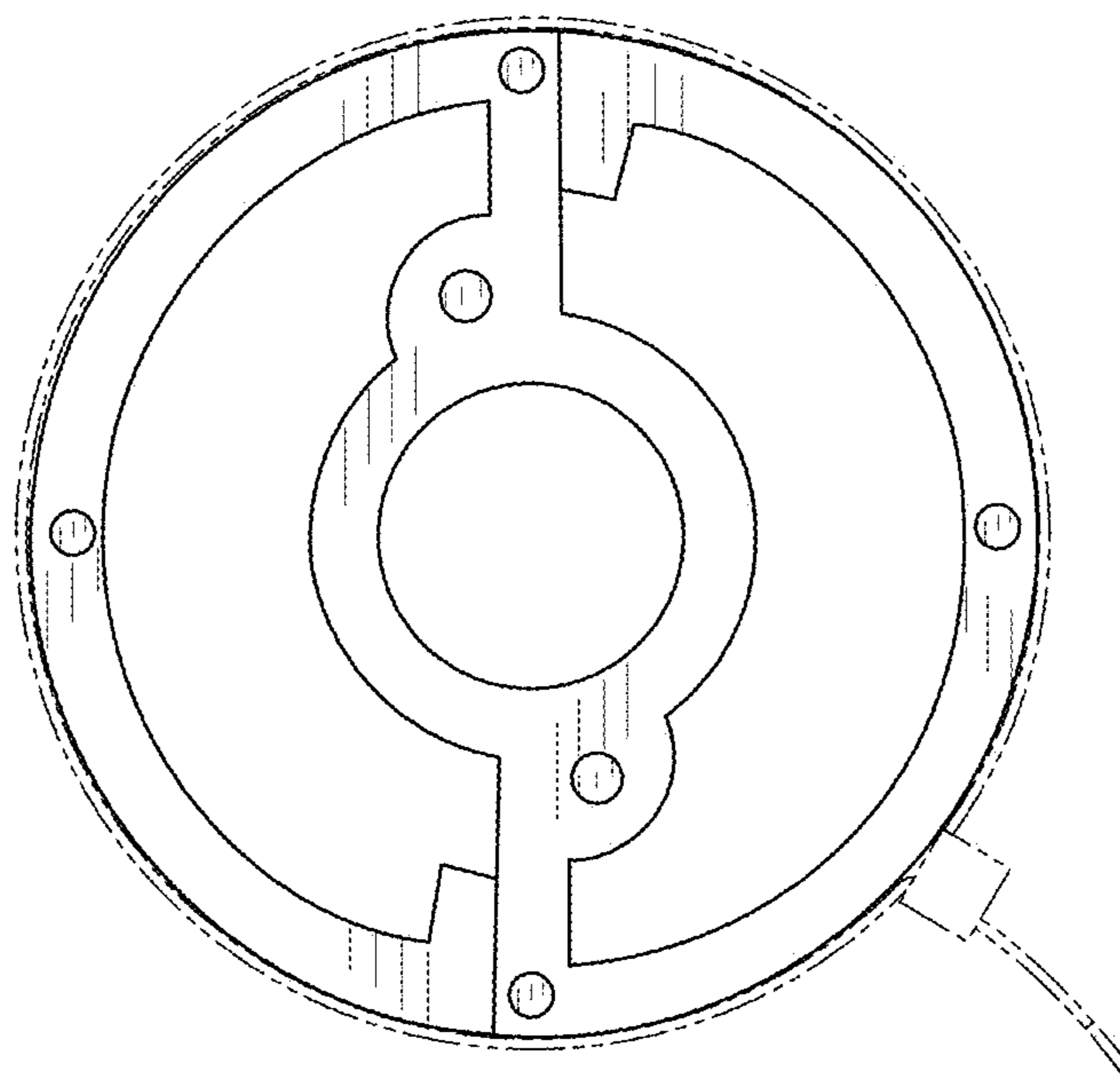


FIG. 30

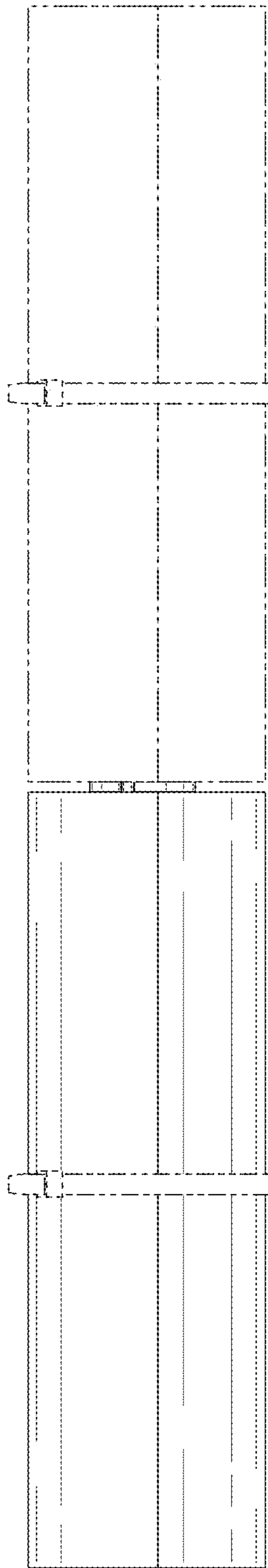


FIG. 31

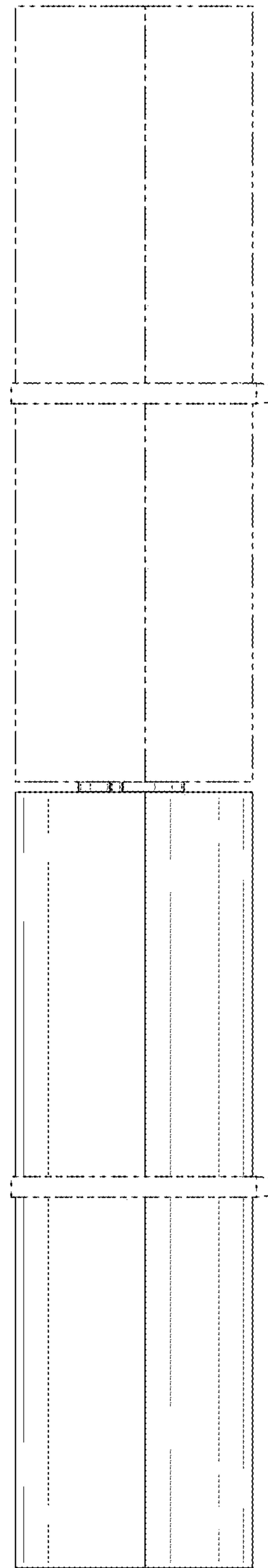


FIG. 32

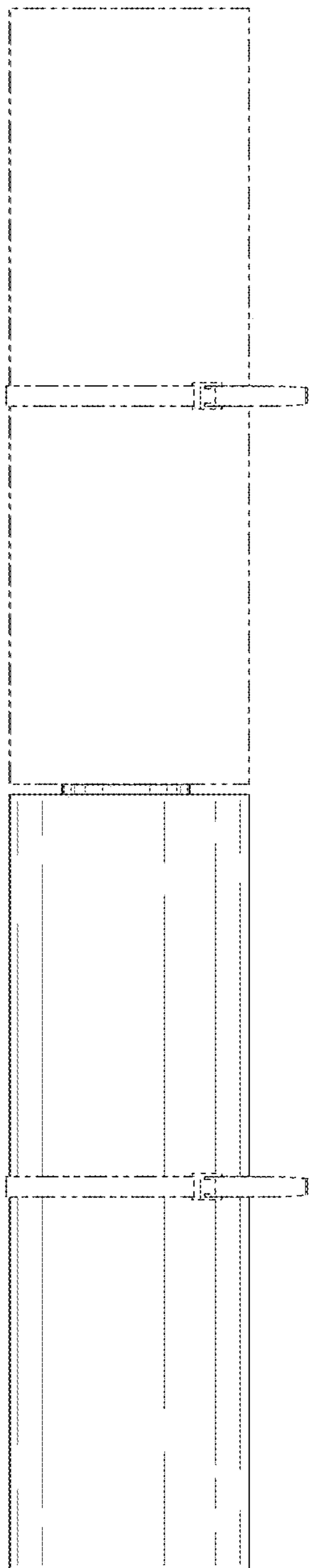


FIG. 33

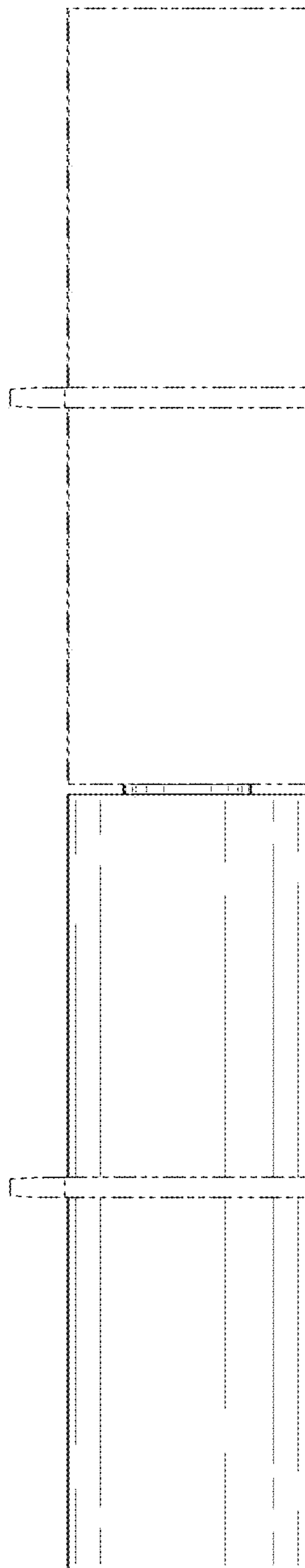


FIG. 34

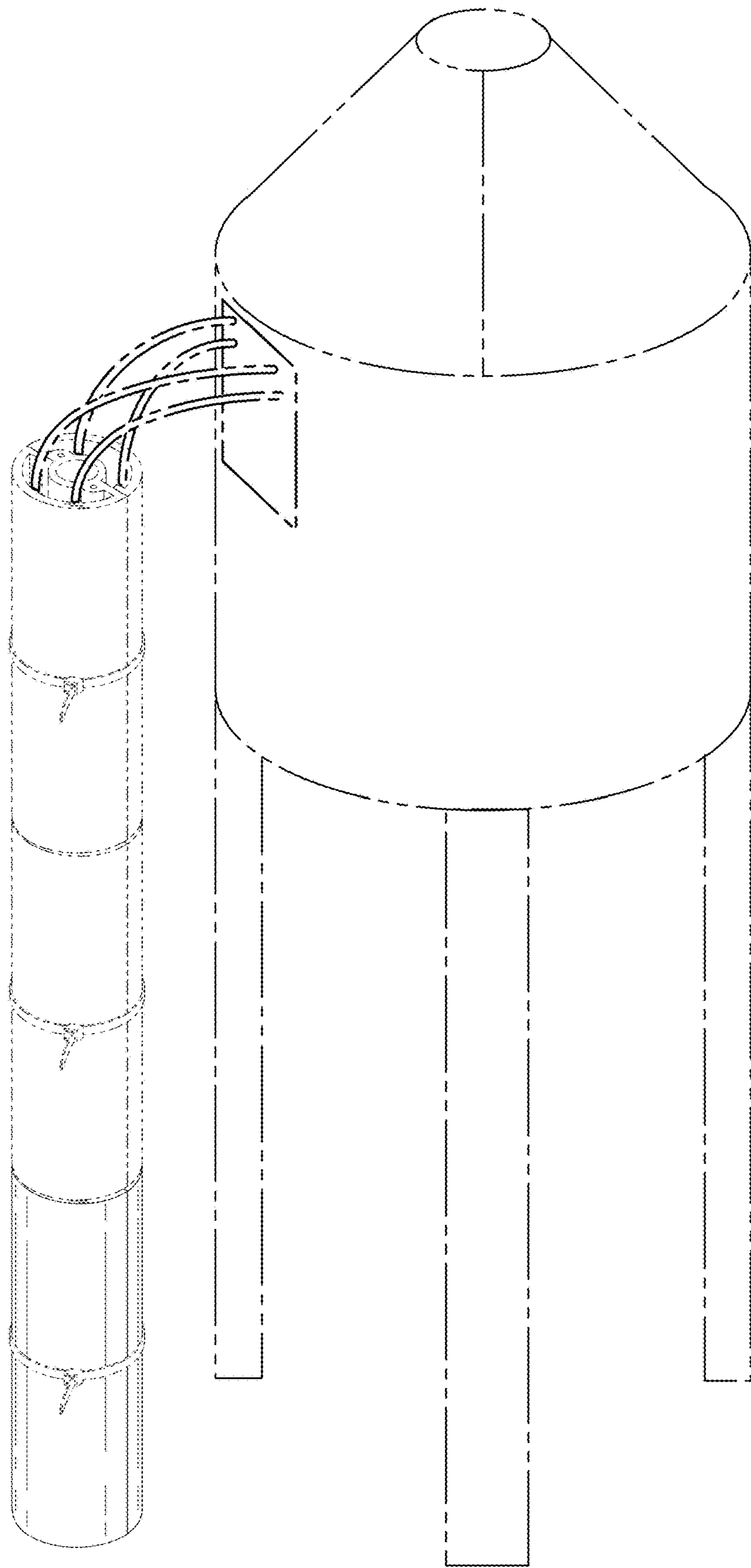


FIG. 35

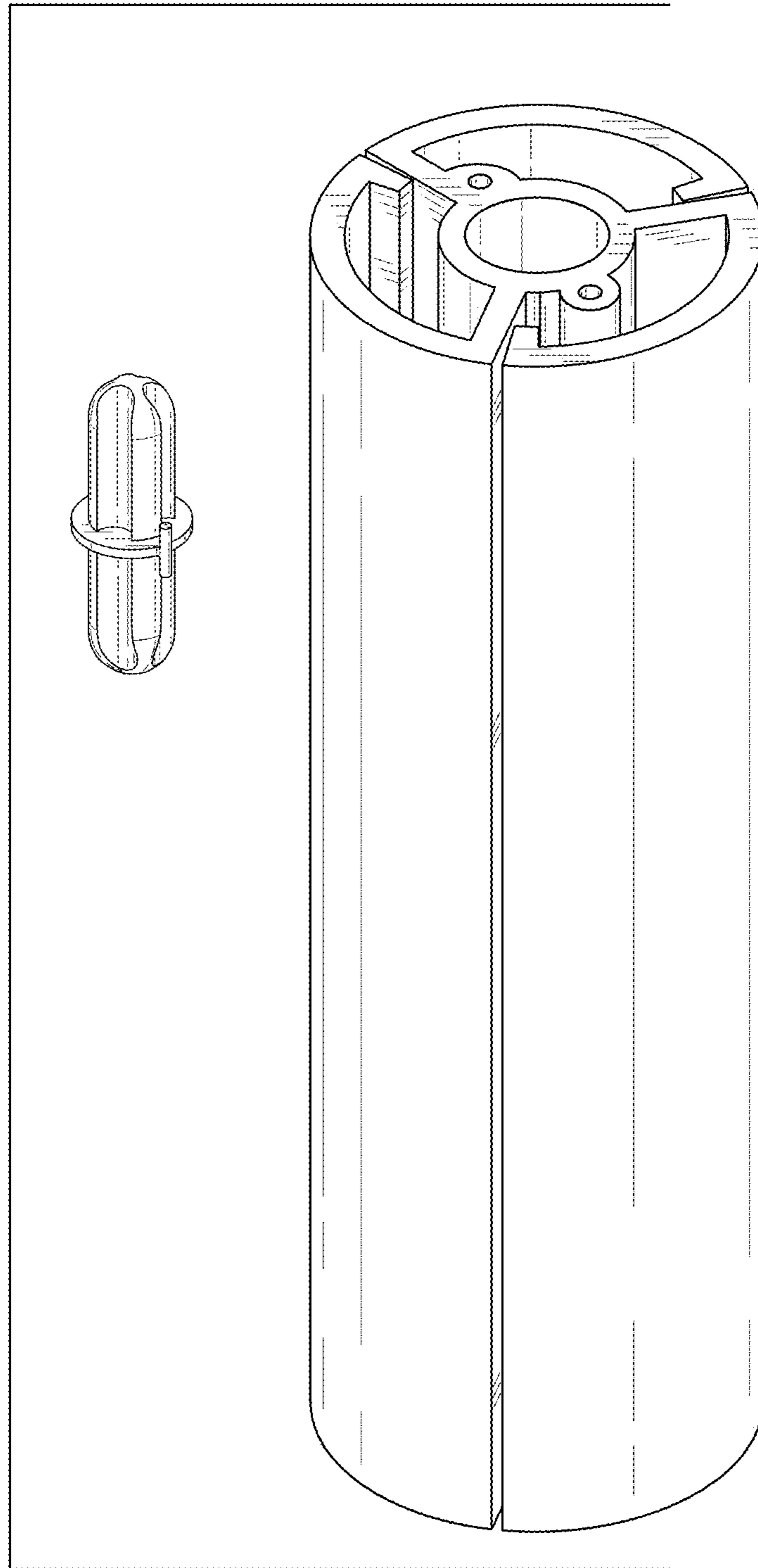


FIG. 36

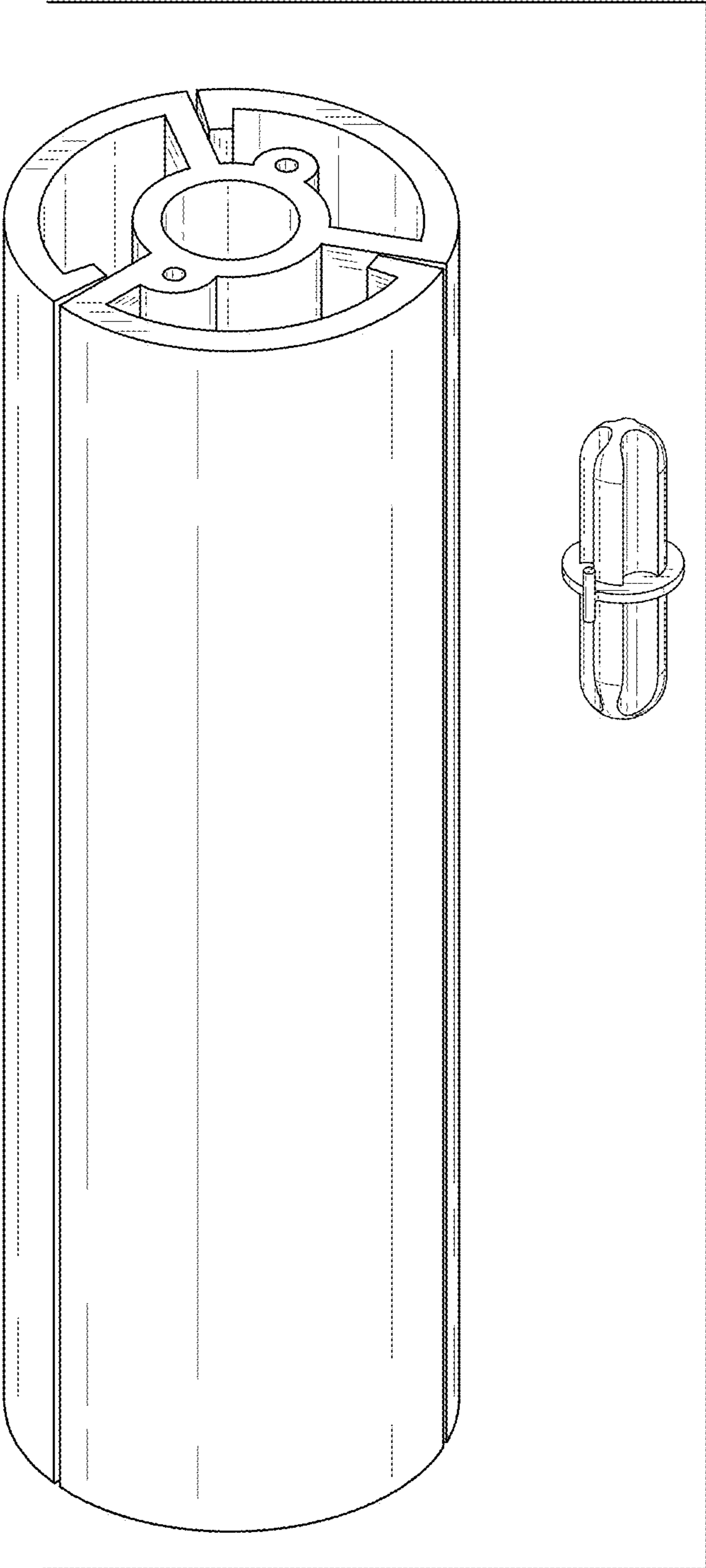


FIG. 37

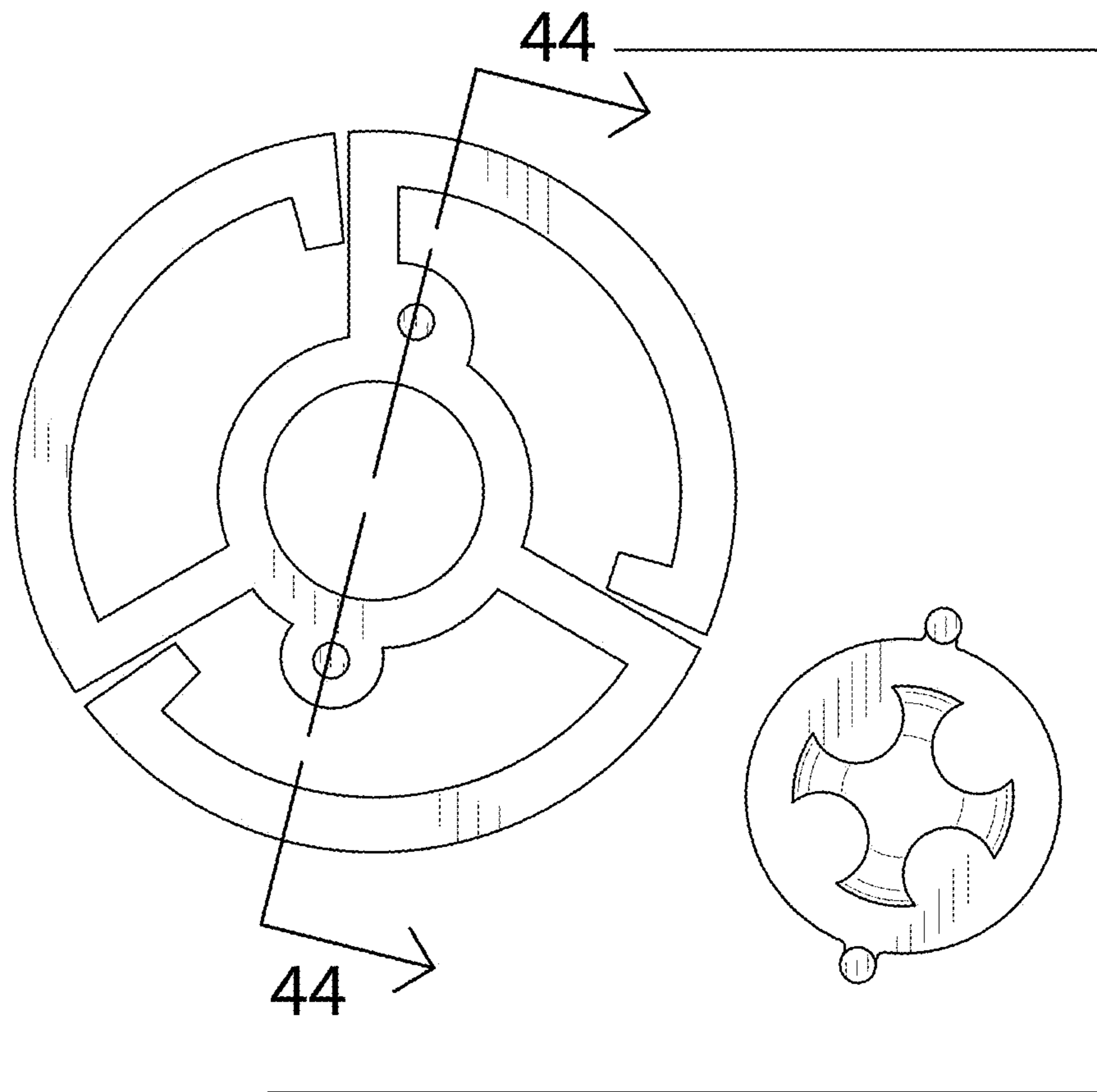


FIG. 38

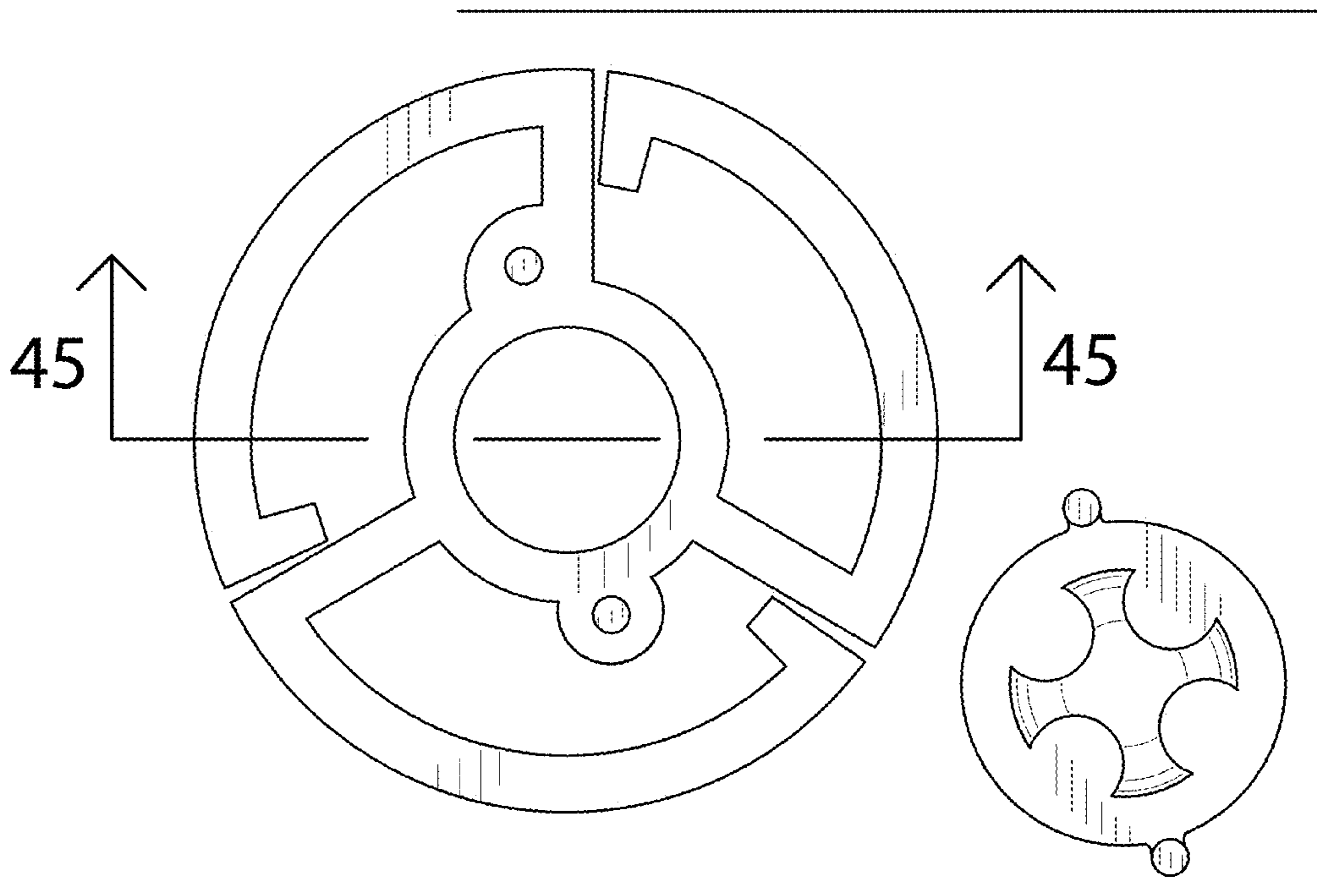


FIG. 39

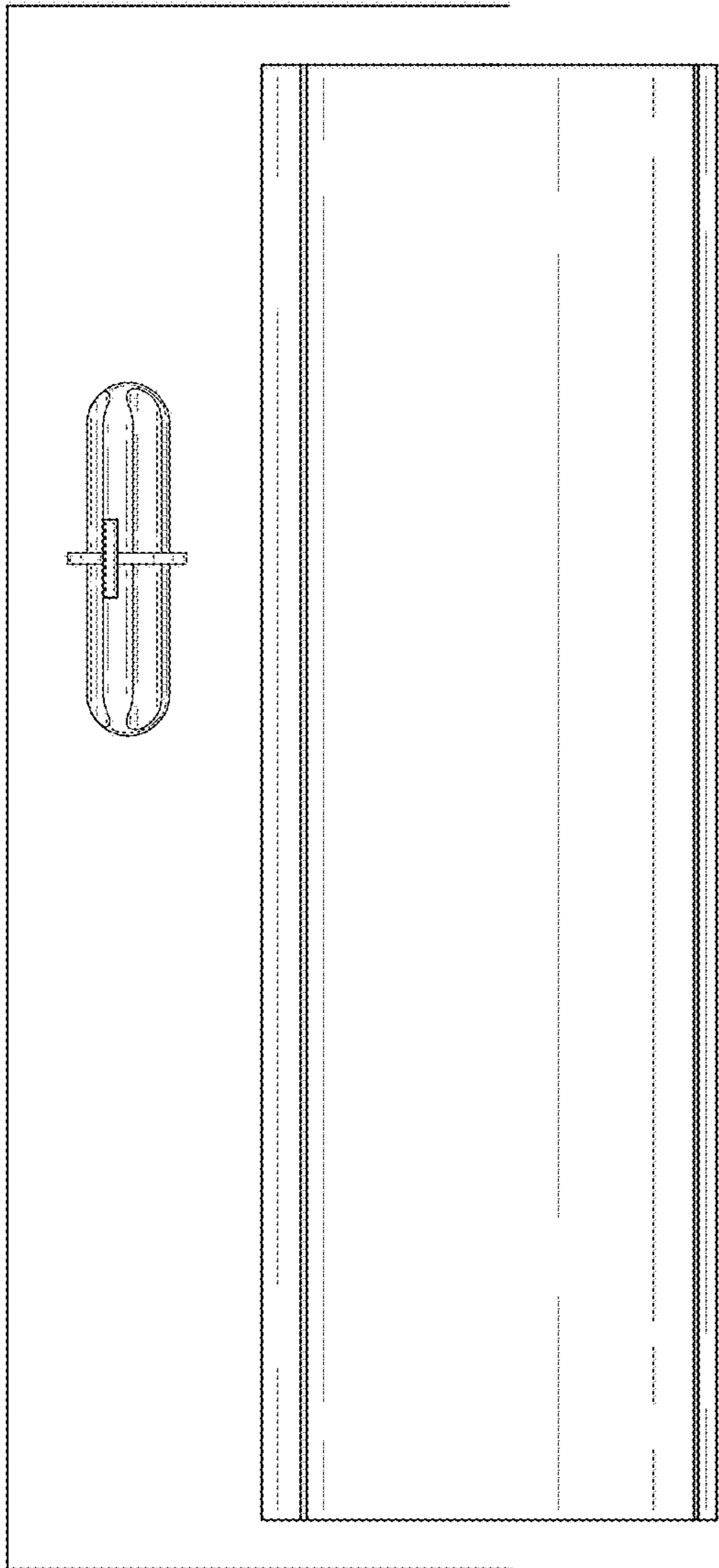


FIG. 40

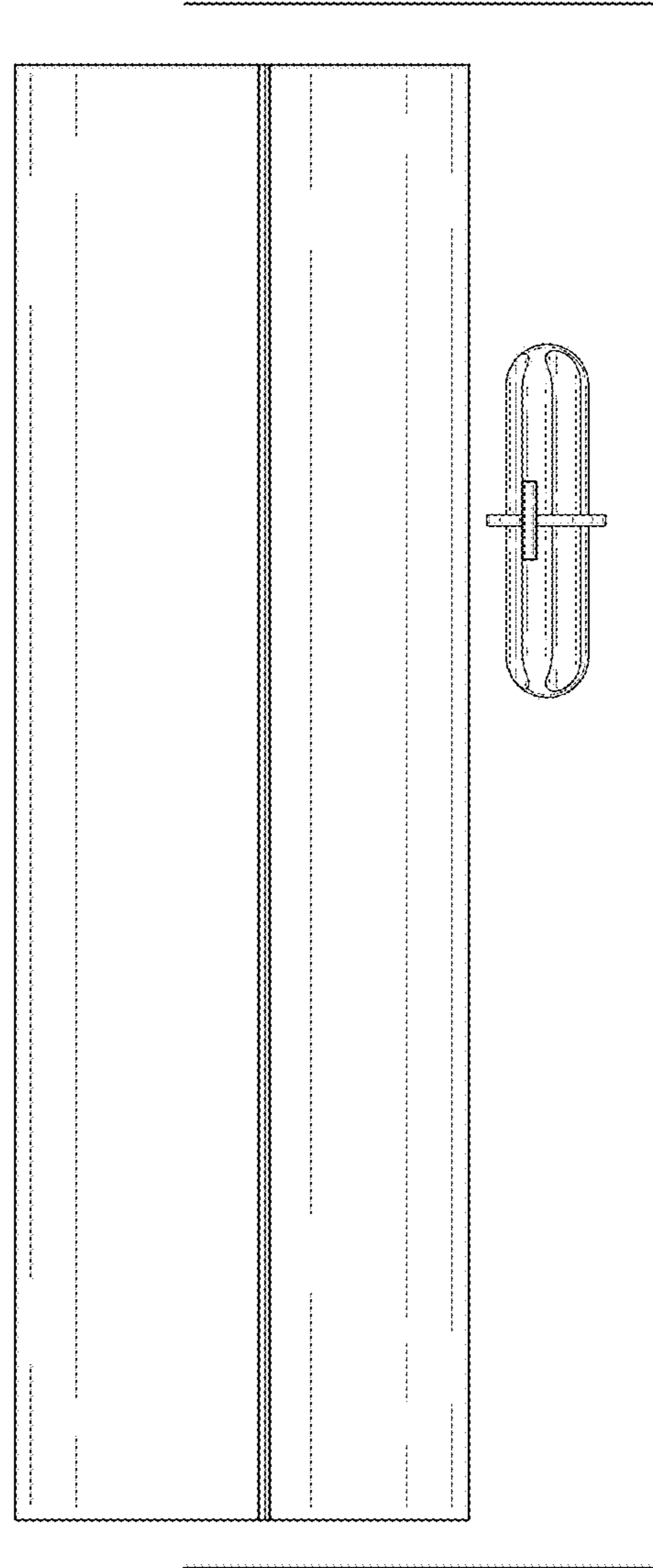


FIG. 41

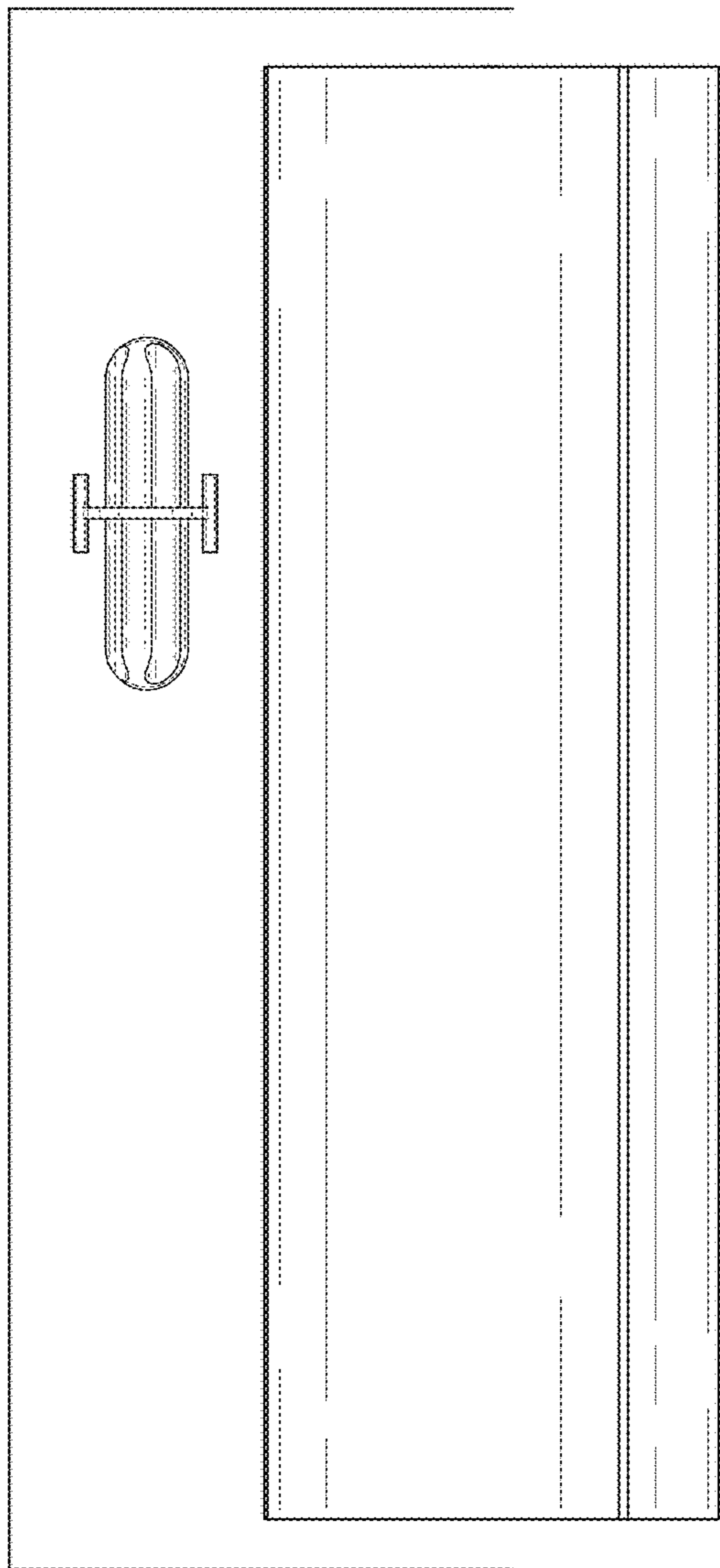


FIG. 42

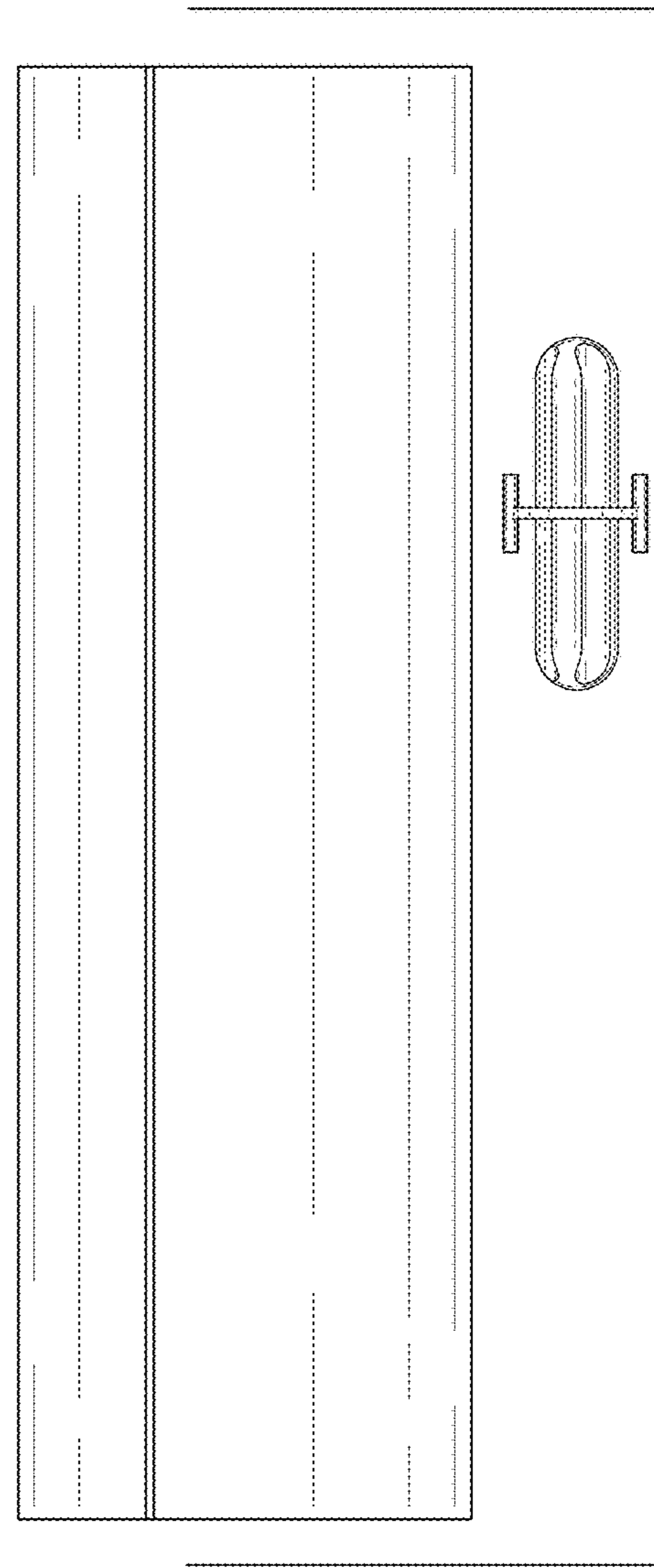


FIG. 43

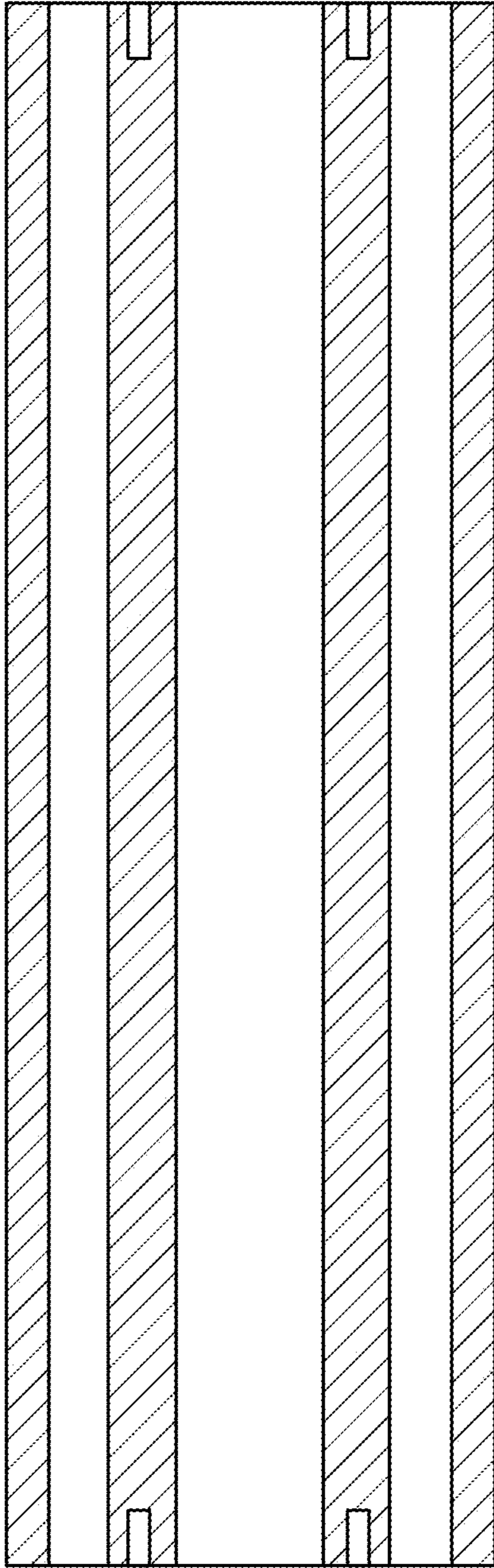


FIG. 44

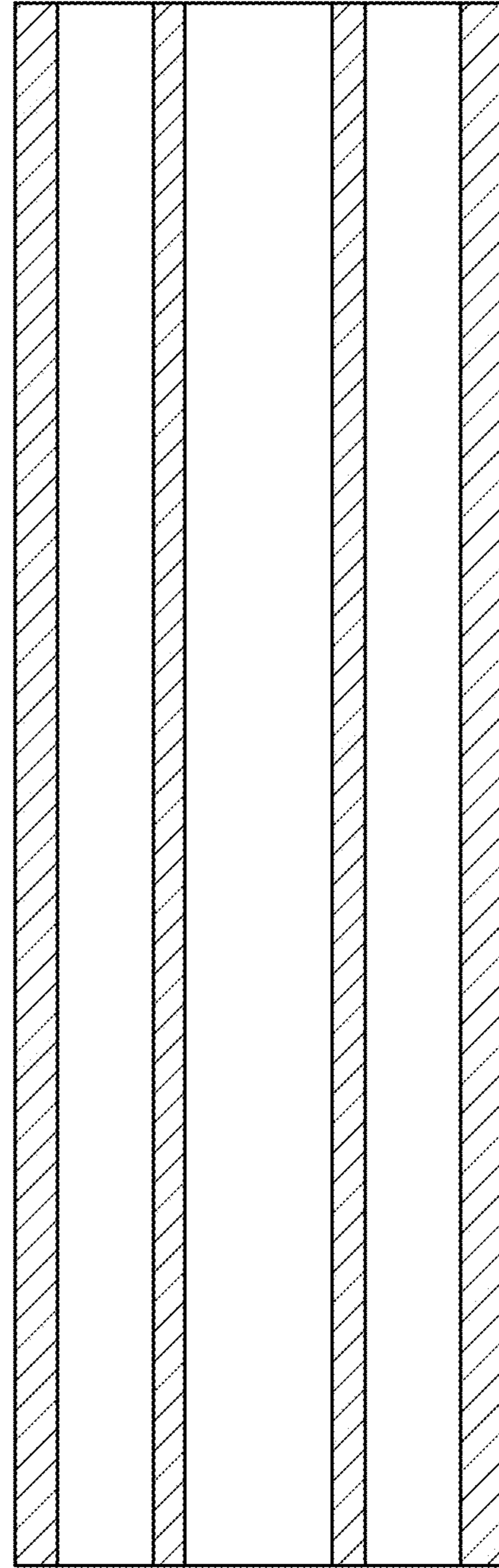


FIG. 45

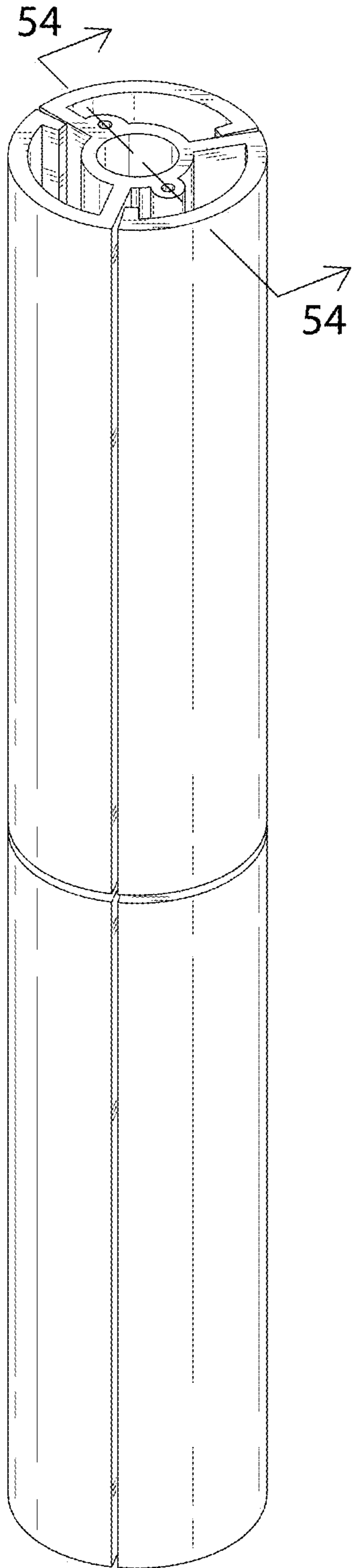


FIG. 46

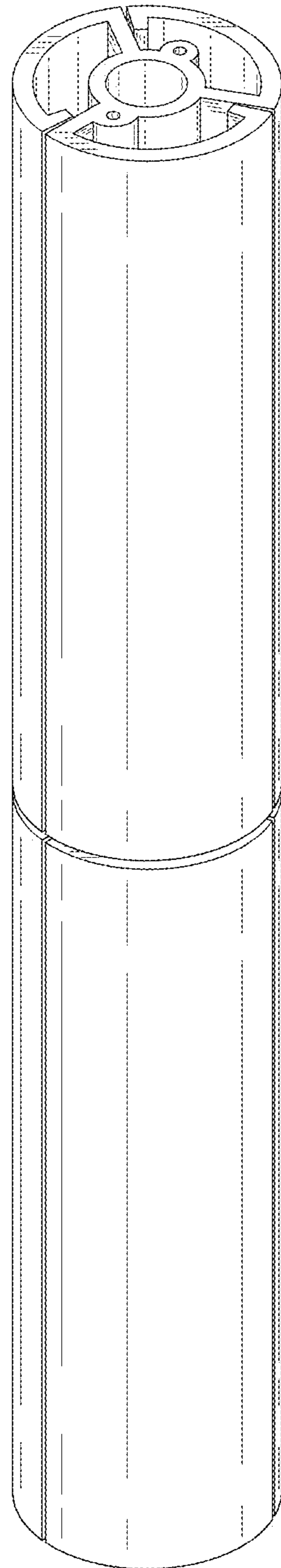


FIG. 47

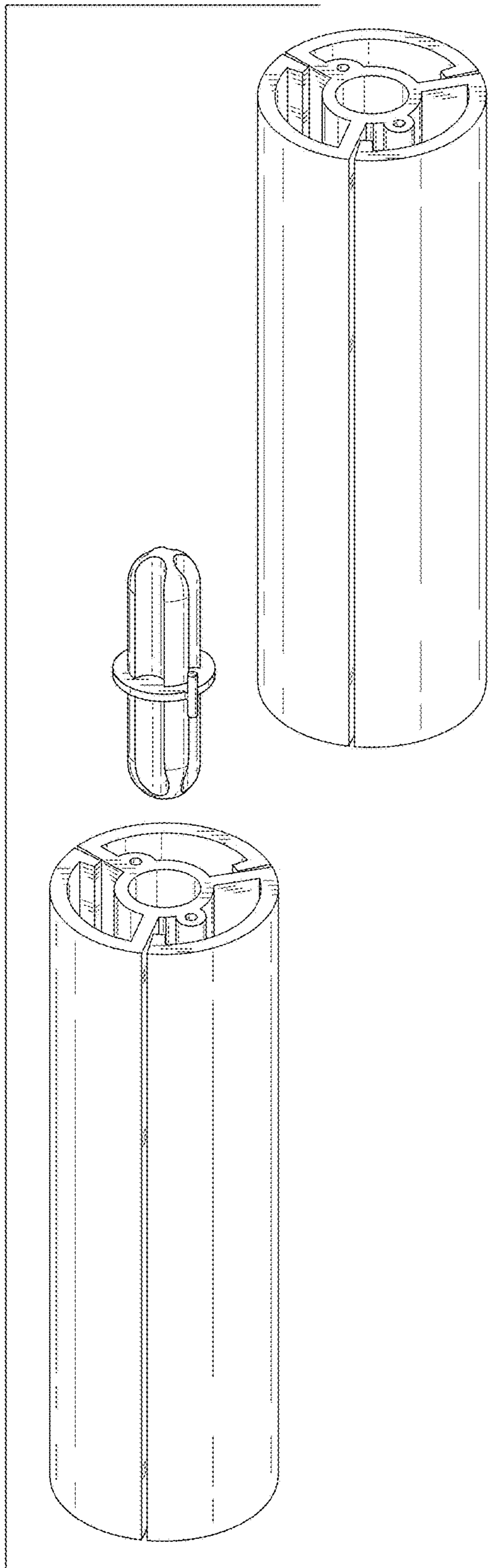


FIG. 48

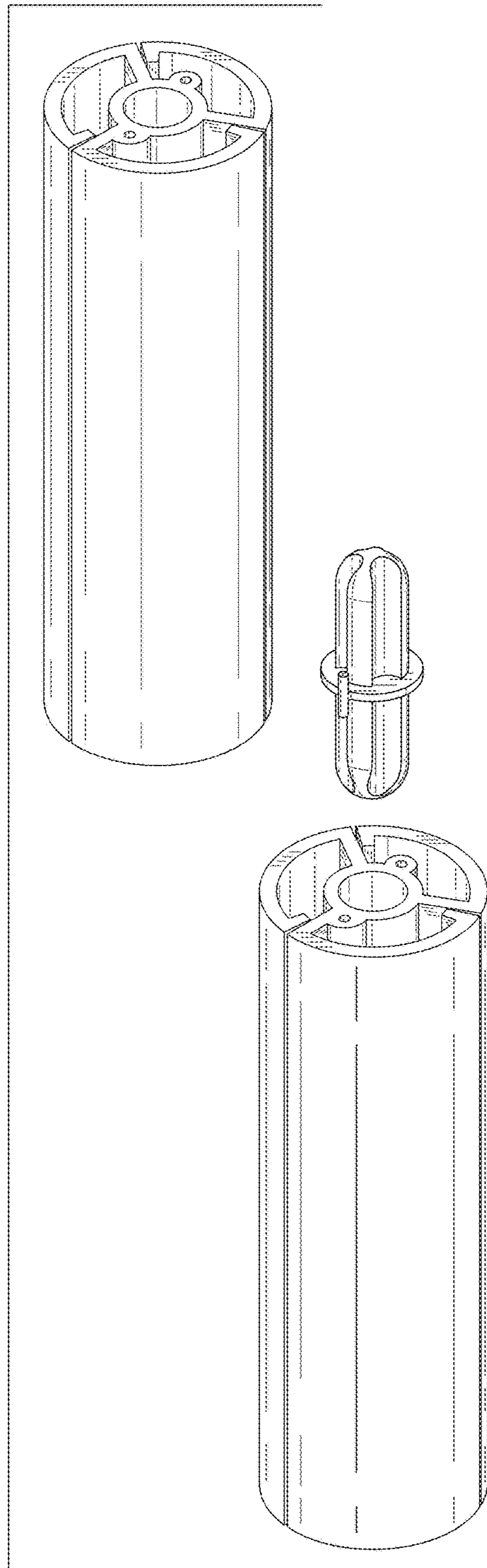


FIG. 49

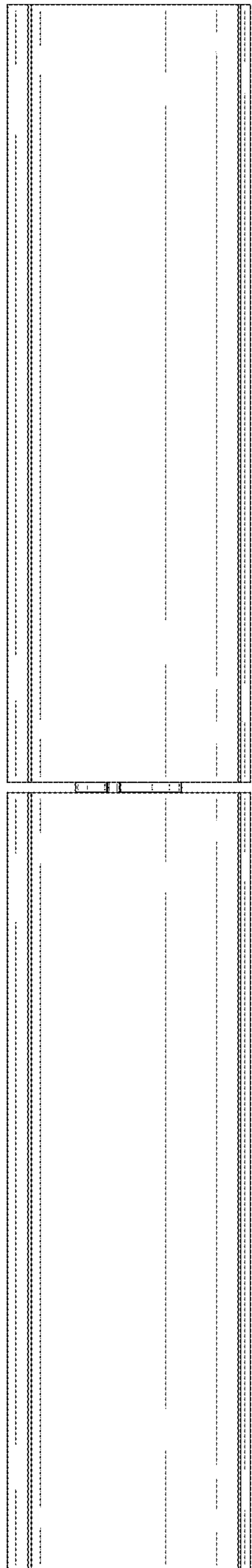


FIG. 50

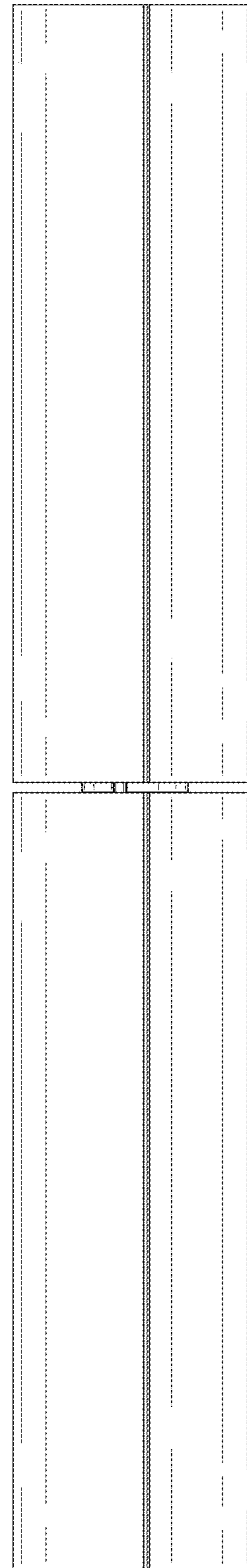


FIG. 51

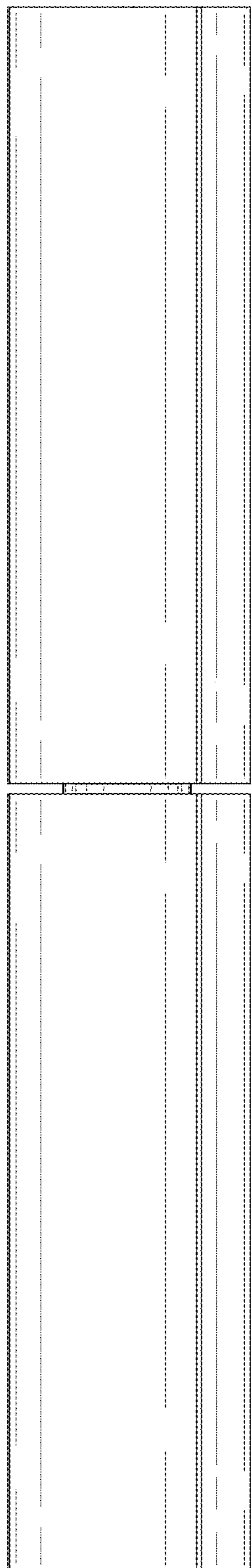


FIG. 52

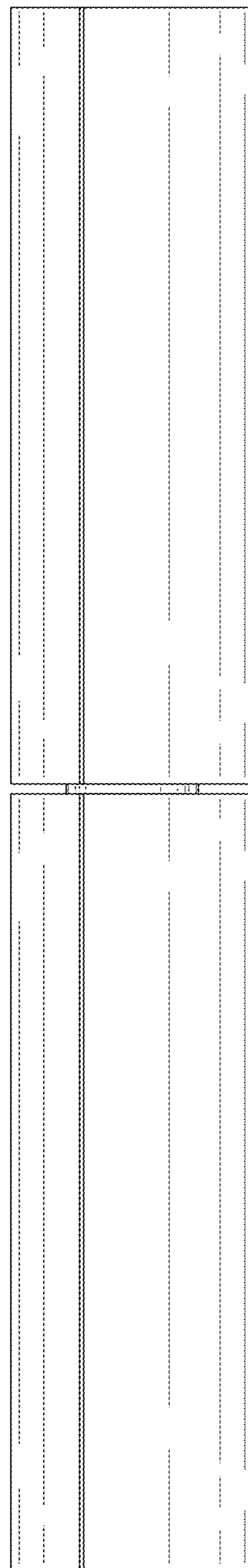


FIG. 53

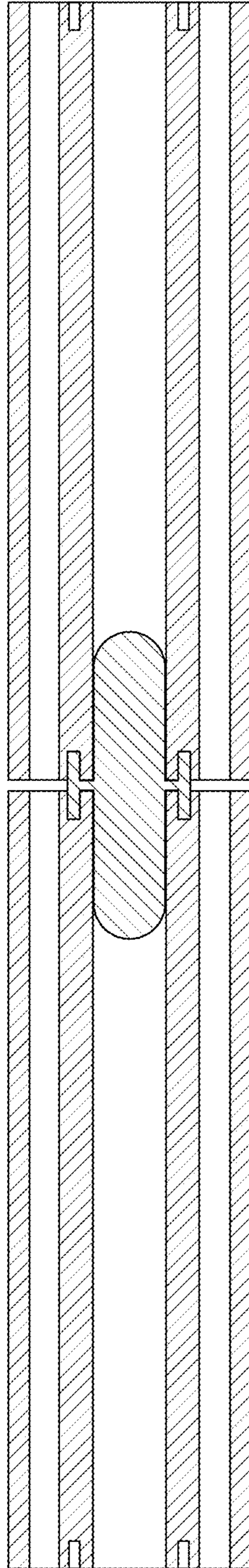


FIG. 54

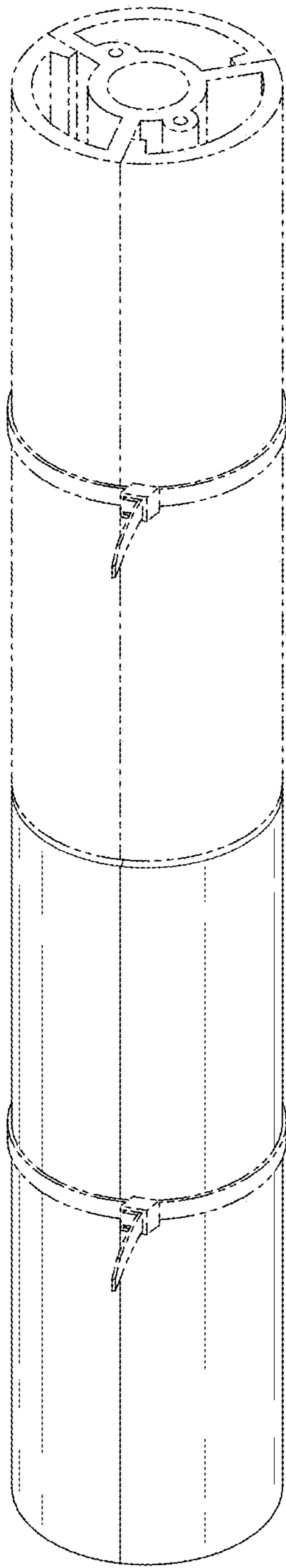


FIG. 55

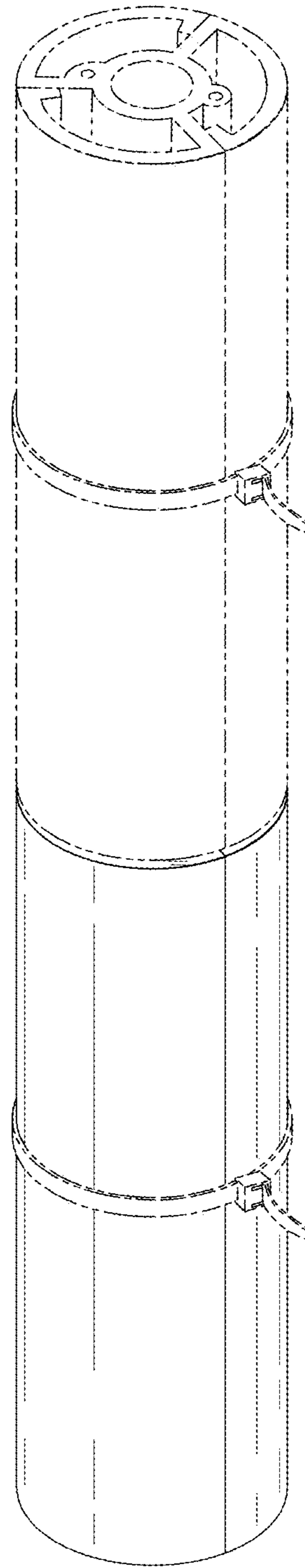


FIG. 56

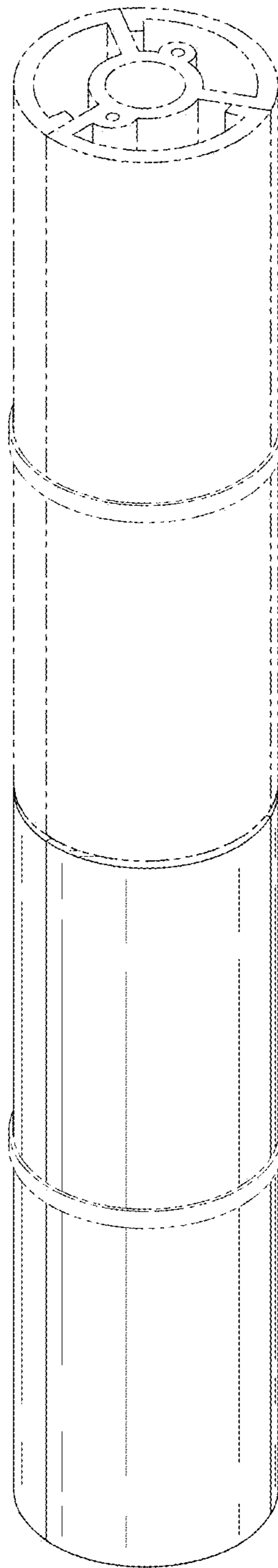


FIG. 57

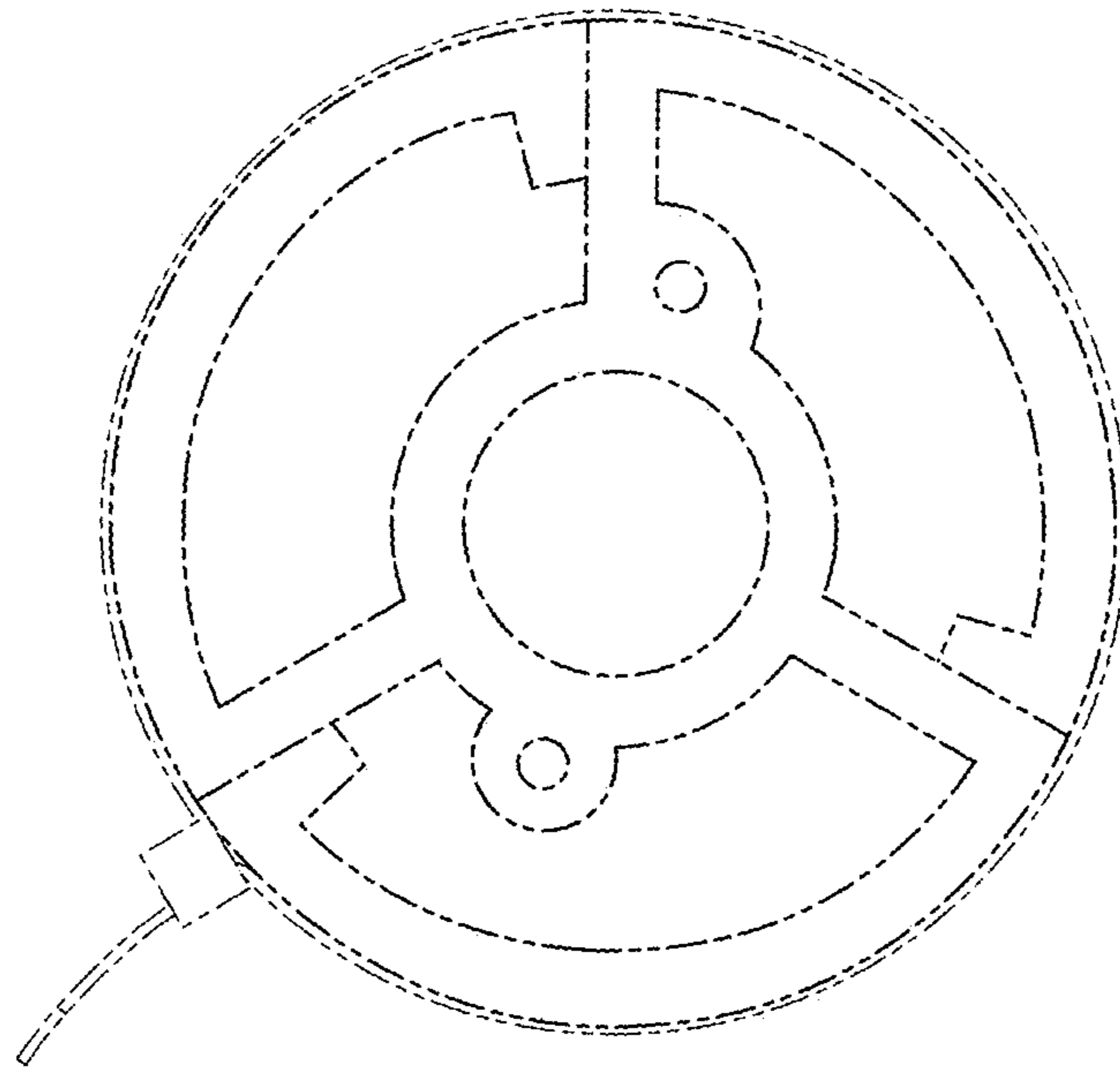


FIG. 58

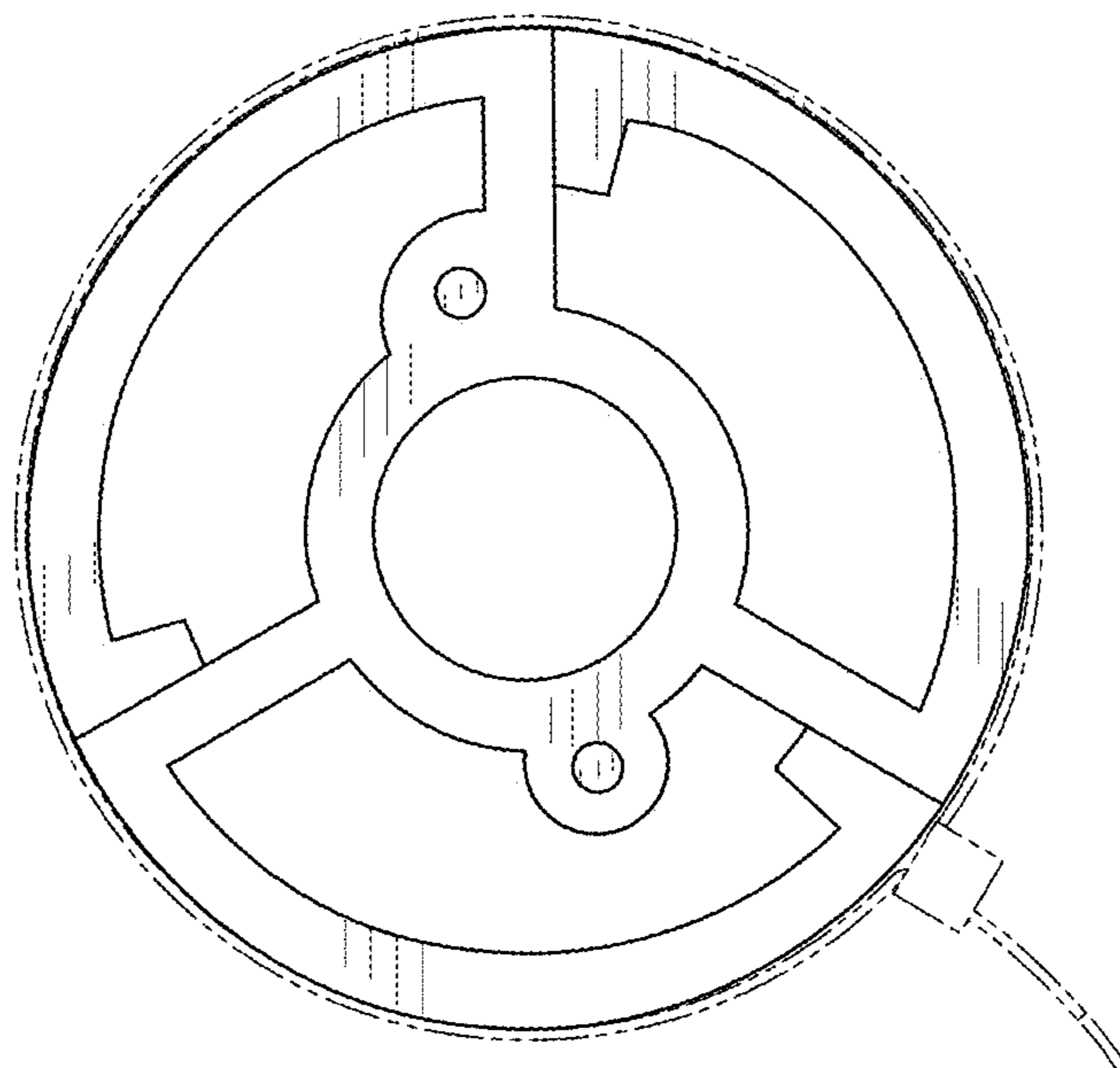


FIG. 59

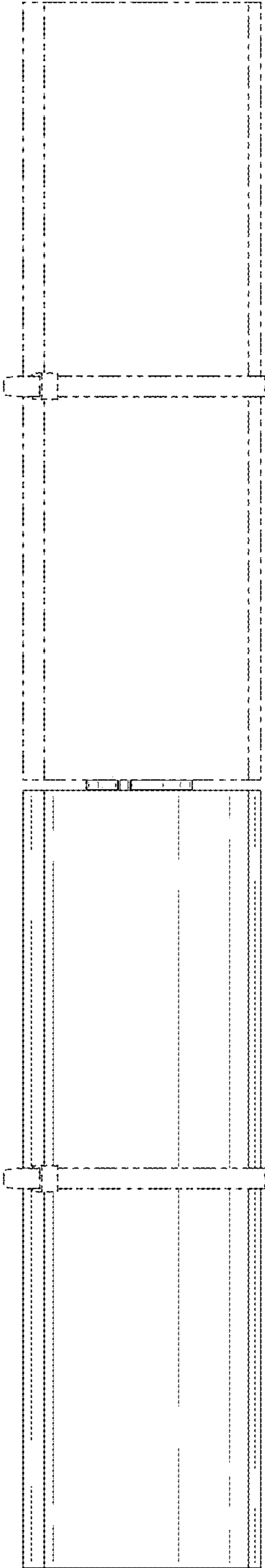


FIG. 60

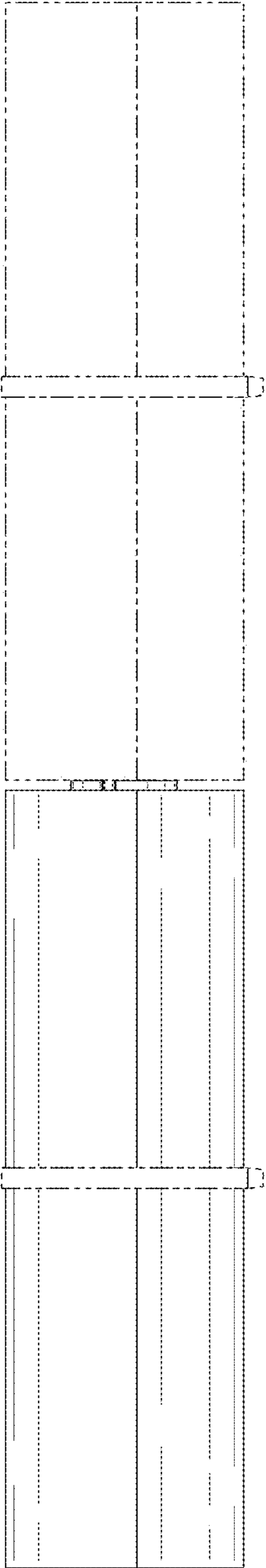


FIG. 61

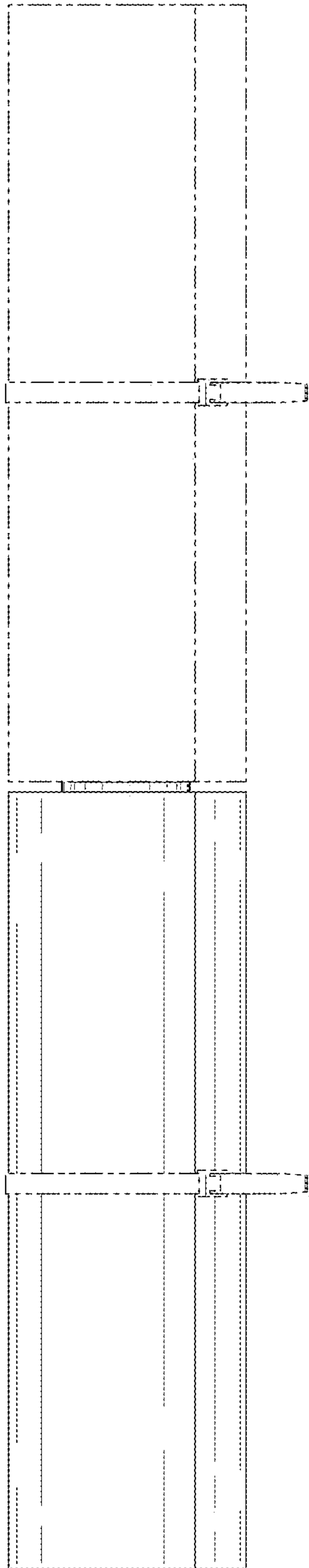


FIG. 62

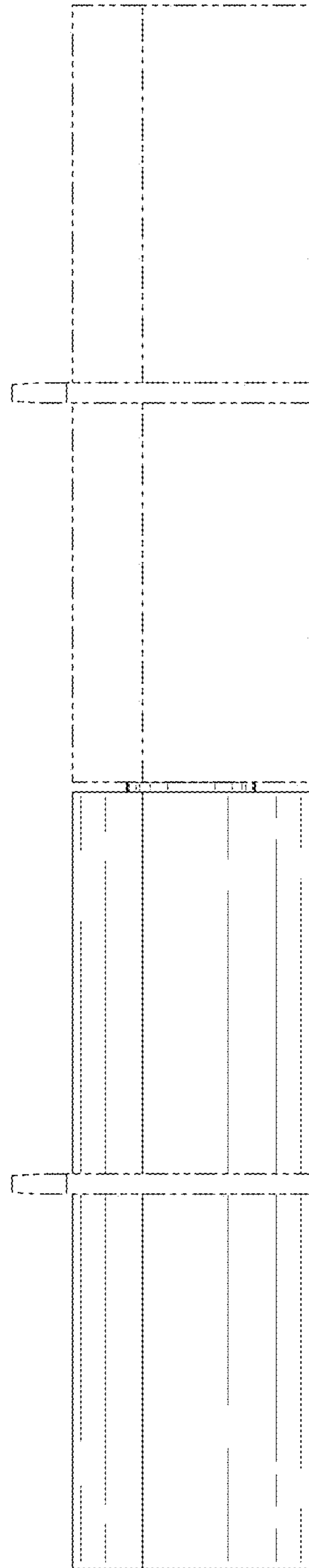


FIG. 63

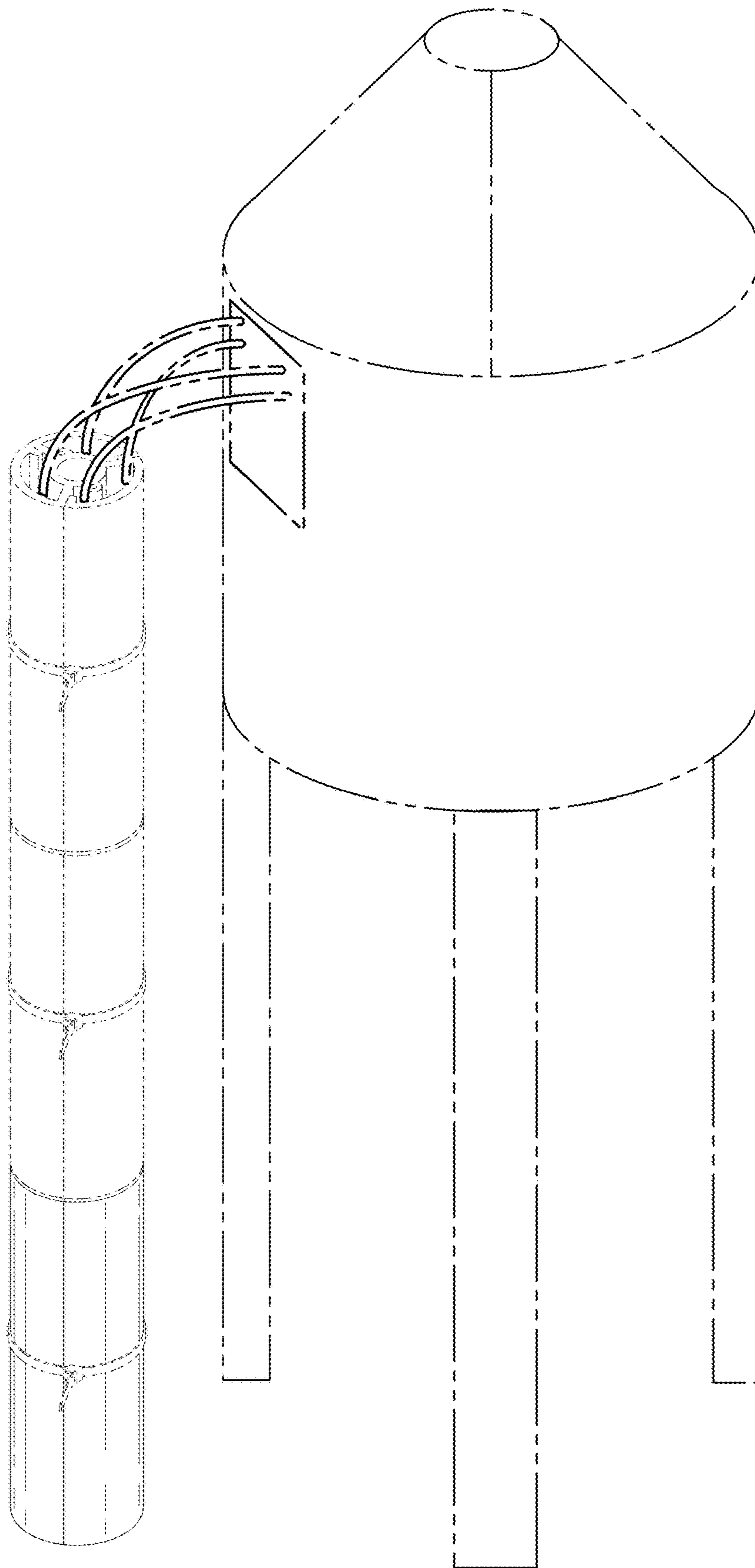


FIG. 64