



US00D913960S

(12) **United States Design Patent** (10) **Patent No.:** **US D913,960 S**  
**Voelzke et al.** (45) **Date of Patent:** **\*\* Mar. 23, 2021**

(54) **CONDUIT FITTING**

(71) Applicant: **Robroy Industries—Texas, LLC**,  
Gilmer, TX (US)

(72) Inventors: **Steven A. Voelzke**, Longview, TX  
(US); **Amanda Lynn Kessel**, Tyler, TX  
(US); **Terry Henry**, Greenville, TX  
(US)

(73) Assignee: **ROBROY INDUSTRIES**, Gilmer, TX  
(US)

(\*\*) Term: **15 Years**

(21) Appl. No.: **29/671,593**

(22) Filed: **Nov. 28, 2018**

(51) **LOC (13) Cl.** ..... **13-03**

(52) **U.S. Cl.**  
USPC ..... **D13/155**

(58) **Field of Classification Search**  
USPC ..... D13/107, 110, 120, 133, 134, 146, 148,  
D13/149, 152, 155, 156, 157, 184, 199;  
D8/396, 356; D23/242; D24/129  
(Continued)

(56) **References Cited**

U.S. PATENT DOCUMENTS

3,910,448 A \* 10/1975 Evans ..... B29C 66/542  
220/3.8  
7,109,416 B1 \* 9/2006 Reed ..... H02G 15/113  
174/481

(Continued)

*Primary Examiner* — Jennifer O King

(74) *Attorney, Agent, or Firm* — The Webb Law Firm

(57) **CLAIM**

The ornamental design for a conduit fitting, as shown and described.

**DESCRIPTION**

FIG. 1 is an upper perspective view of a conduit fitting showing our new design in accordance with a first embodiment of the present invention;

FIG. 2 is a lower perspective view thereof;  
FIG. 3 is a left side elevation view thereof;  
FIG. 4 is a right side elevation view thereof;  
FIG. 5 is a front elevation view thereof;  
FIG. 6 is a rear elevation view thereof;  
FIG. 7 is a top view thereof;  
FIG. 8 is a bottom view thereof;  
FIG. 9 is an upper perspective view of a conduit fitting showing our new design in accordance with a second embodiment of the present invention;  
FIG. 10 is a lower perspective view thereof;  
FIG. 11 is a left side elevation view thereof;  
FIG. 12 is a right side elevation view thereof;  
FIG. 13 is a front elevation view thereof;  
FIG. 14 is a rear elevation view thereof;  
FIG. 15 is a top view thereof;  
FIG. 16 is a bottom view thereof;  
FIG. 17 is an upper perspective view of a conduit fitting showing our new design in accordance with a third embodiment of the present invention;  
FIG. 18 is a lower perspective view thereof;  
FIG. 19 is a left side elevation view thereof;  
FIG. 20 is a right side elevation view thereof;  
FIG. 21 is a rear elevation view thereof;  
FIG. 22 is a front elevation view thereof;  
FIG. 23 is a top view thereof;  
FIG. 24 is a bottom view thereof;  
FIG. 25 is an upper perspective view of a conduit fitting showing our new design in accordance with a fourth embodiment of the present invention;  
FIG. 26 is a lower perspective view thereof;  
FIG. 27 is a right side elevation view thereof;  
FIG. 28 is a left side elevation view thereof;  
FIG. 29 is a front elevation view thereof;  
FIG. 30 is a rear elevation view thereof;  
FIG. 31 is a top view thereof;  
FIG. 32 is a bottom view thereof;  
FIG. 33 is an upper perspective view of a conduit fitting showing our new design in accordance with a fifth embodiment of the present invention;  
FIG. 34 is a lower perspective view thereof;  
FIG. 35 is a left side elevation view thereof;  
FIG. 36 is a right side elevation view thereof;

(Continued)

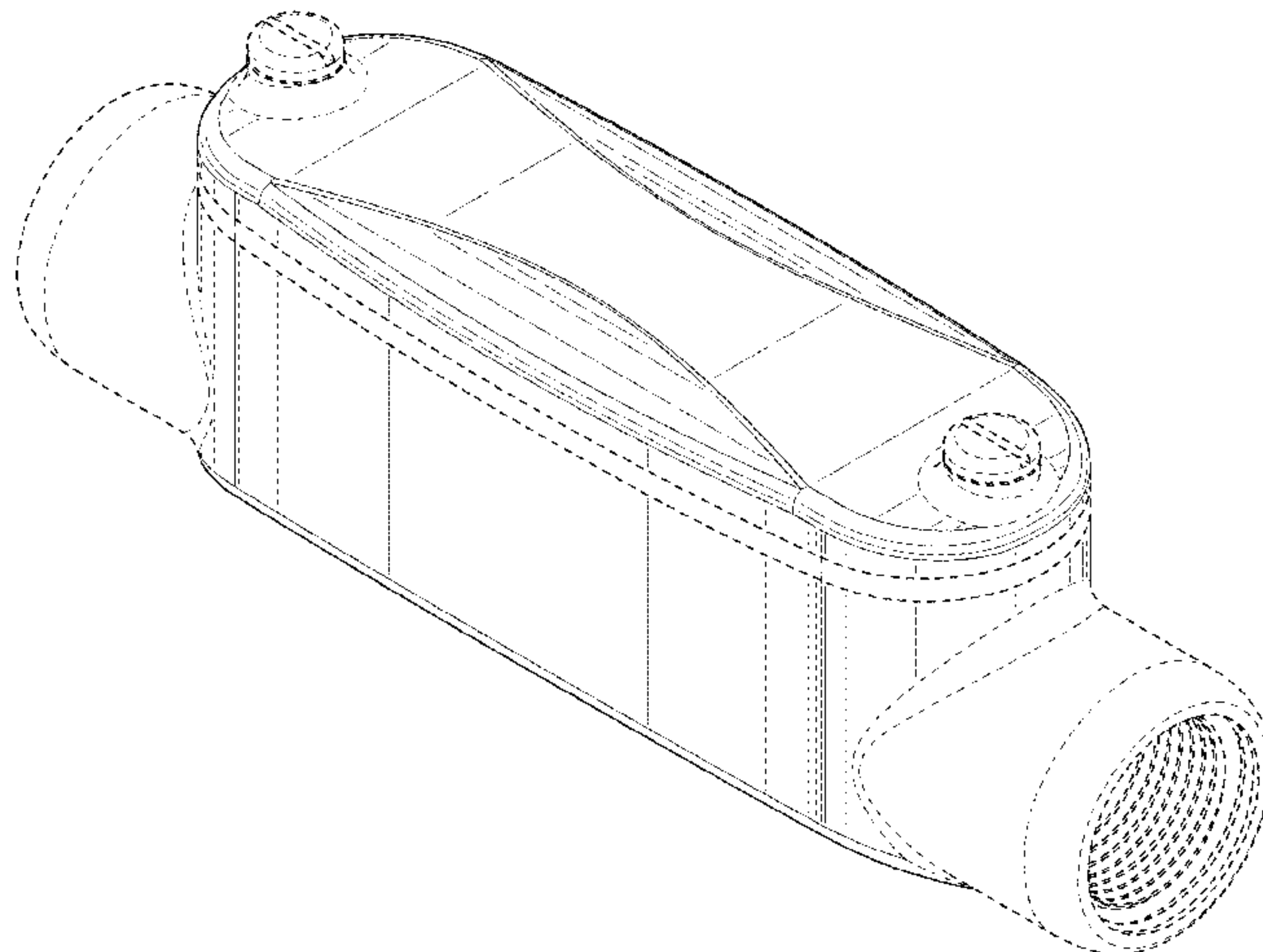


FIG. 37 is a front elevation view thereof;  
 FIG. 38 is a rear elevation view thereof;  
 FIG. 39 is a top view thereof;  
 FIG. 40 is a bottom view thereof;  
 FIG. 41 is an upper perspective view of a conduit fitting showing our new design in accordance with a sixth embodiment of the present invention;  
 FIG. 42 is a lower perspective view thereof;  
 FIG. 43 is a left side elevation view thereof;  
 FIG. 44 is a right side elevation view thereof;  
 FIG. 45 is a front elevation view thereof;  
 FIG. 46 is a rear elevation view thereof;  
 FIG. 47 is a top view thereof;  
 FIG. 48 is a bottom view thereof;  
 FIG. 49 is an upper perspective view of a conduit fitting showing our new design in accordance with a seventh embodiment of the present invention;  
 FIG. 50 is a lower perspective view thereof;  
 FIG. 51 is a left side elevation view thereof;  
 FIG. 52 is a right side elevation view thereof;  
 FIG. 53 is a front elevation view thereof;  
 FIG. 54 is a rear elevation view thereof;  
 FIG. 55 is a top view thereof;  
 FIG. 56 is a bottom view thereof;  
 FIG. 57 is an upper perspective view of a conduit fitting showing our new design in accordance with an eighth embodiment of the present invention;  
 FIG. 58 is a lower perspective view thereof;  
 FIG. 59 is a left side elevation view thereof;  
 FIG. 60 is a right side elevation view thereof;  
 FIG. 61 is a front elevation view thereof;  
 FIG. 62 is a rear elevation view thereof;  
 FIG. 63 is a top view thereof; and,

FIG. 64 is a bottom view thereof.  
 The portions of the conduit fitting shown in broken lines form no part of the claimed design.

**1 Claim, 56 Drawing Sheets**

(58) **Field of Classification Search**

CPC ..... H01R 13/447; H01R 13/6277; H01R 2201/26; G02B 6/3887; G02B 6/4471; H02G 3/0616; H02G 3/04

See application file for complete search history.

(56) **References Cited**

U.S. PATENT DOCUMENTS

D574,067	S *	7/2008	Pampinella	.....	D23/262
D591,587	S *	5/2009	Mason	.....	D8/354
7,582,835	B2 *	9/2009	Pyron	.....	H02G 3/06 174/24
7,893,363	B2 *	2/2011	Pyron	.....	H02G 3/06 174/481
8,129,631	B1 *	3/2012	Shemtov	.....	H02G 3/14 174/481
D686,995	S *	7/2013	Nikayin	.....	D13/152
8,586,877	B1 *	11/2013	Shemtov	.....	H02G 3/14 174/481
D727,854	S *	4/2015	Chance	.....	D13/156
9,948,078	B2 *	4/2018	Grant	.....	H02G 3/081
D821,550	S *	6/2018	Ohkoshi	.....	D23/262
2006/0207783	A1 *	9/2006	Lammens, Jr.	.....	H02G 15/08 174/58
2011/0120582	A1 *	5/2011	Veillette	.....	H02G 3/083 138/109

\* cited by examiner

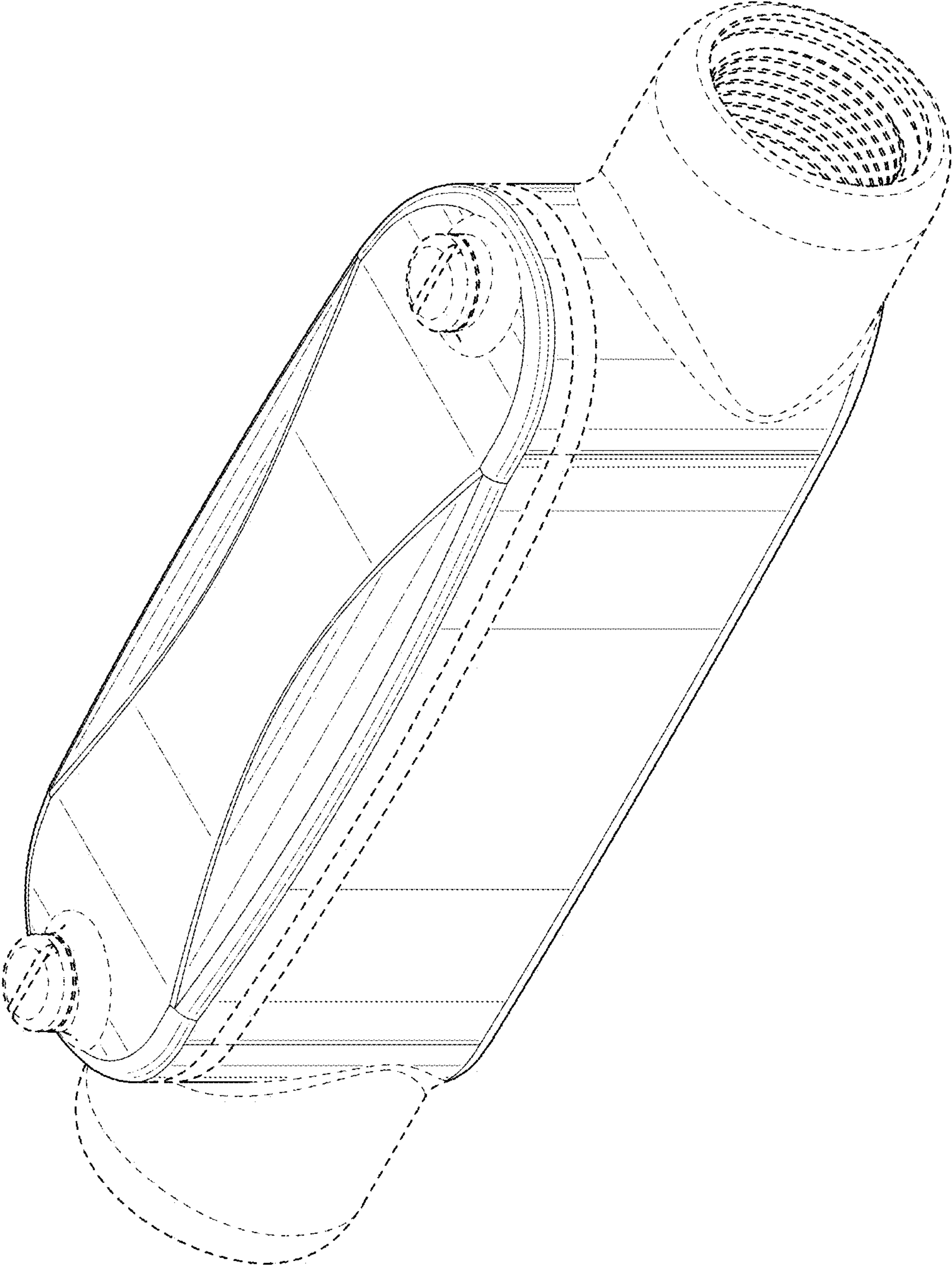


FIG. 1



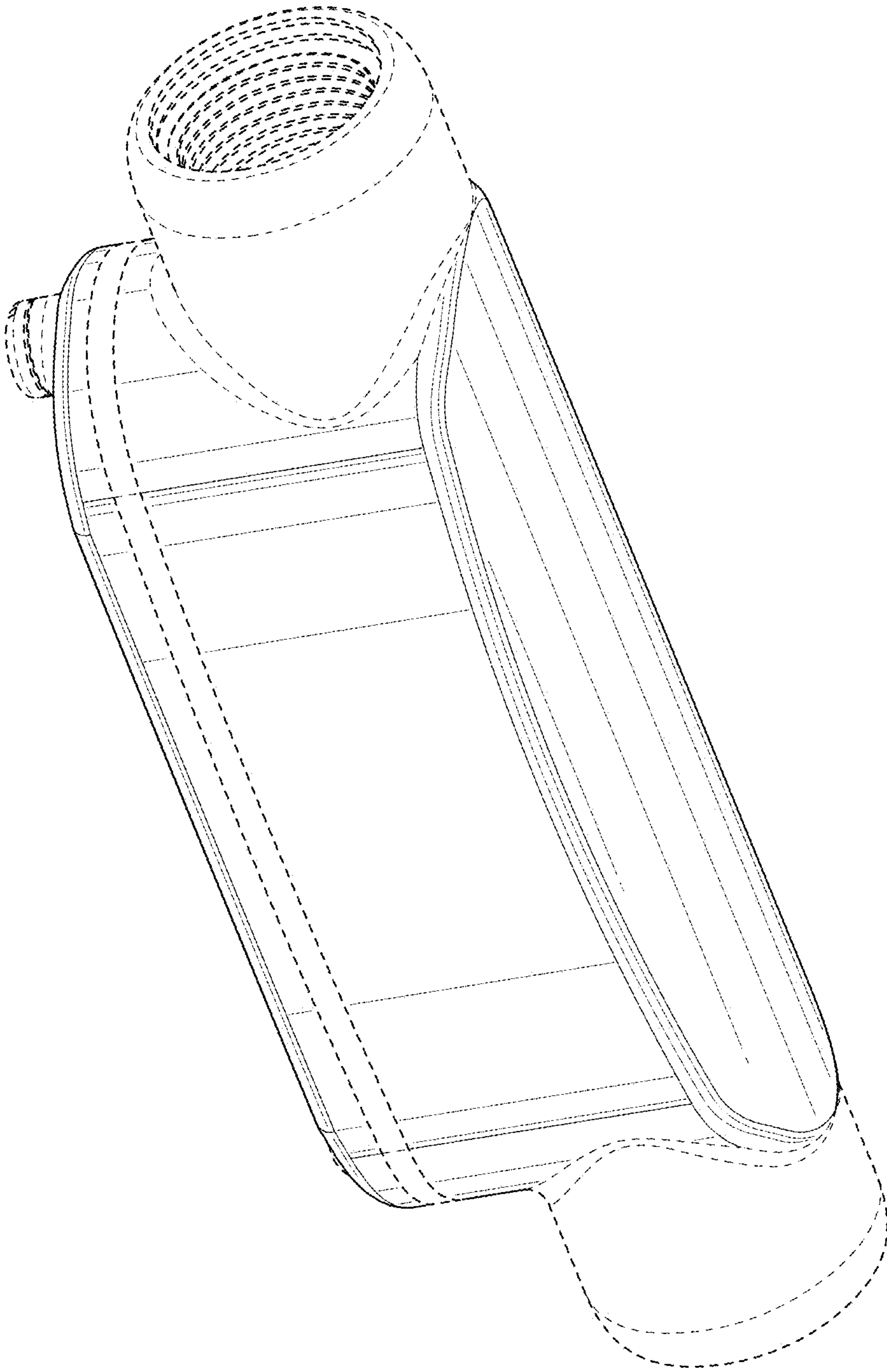


FIG. 2

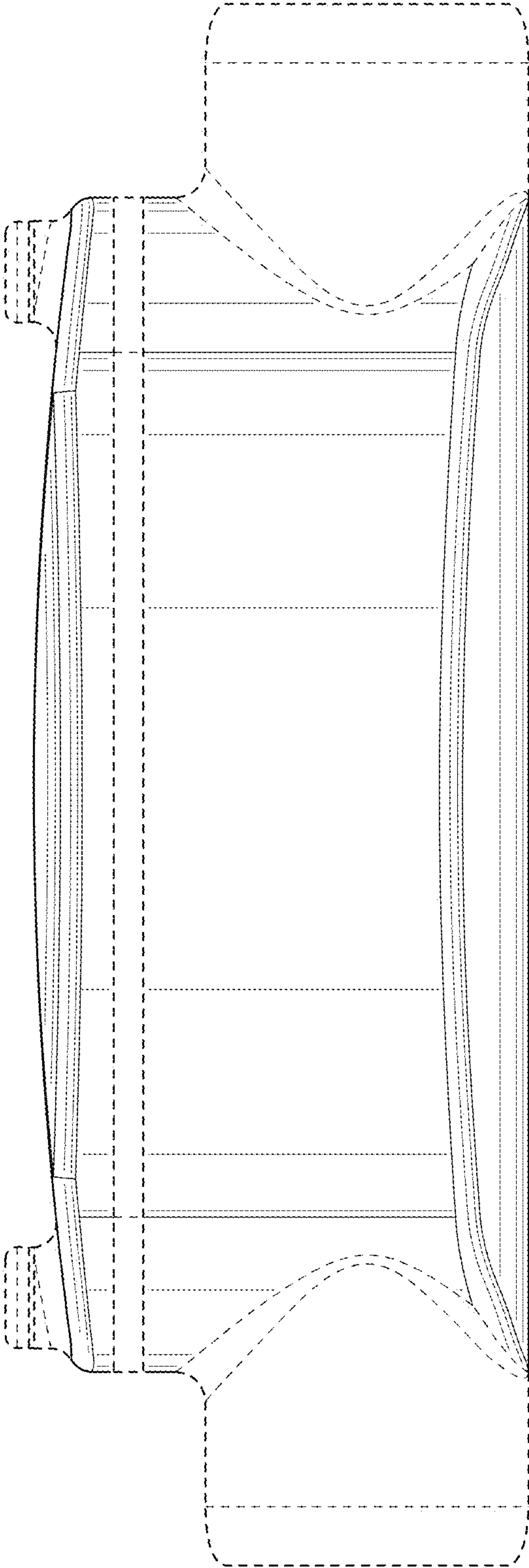


FIG. 3

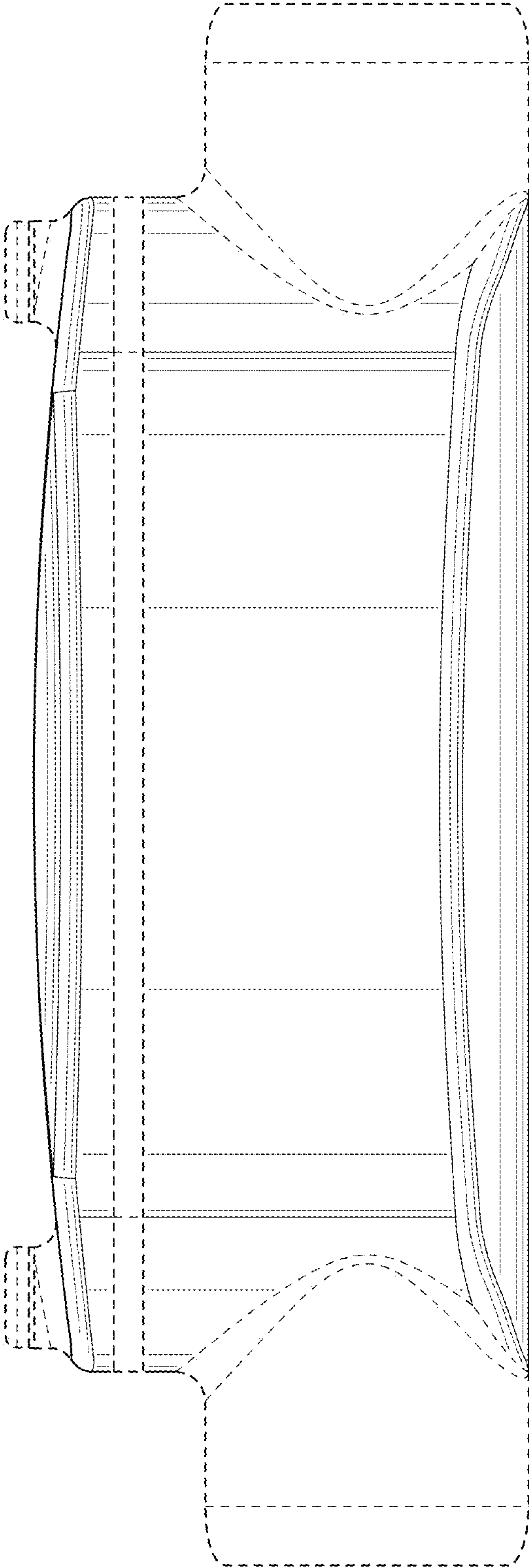


FIG. 4

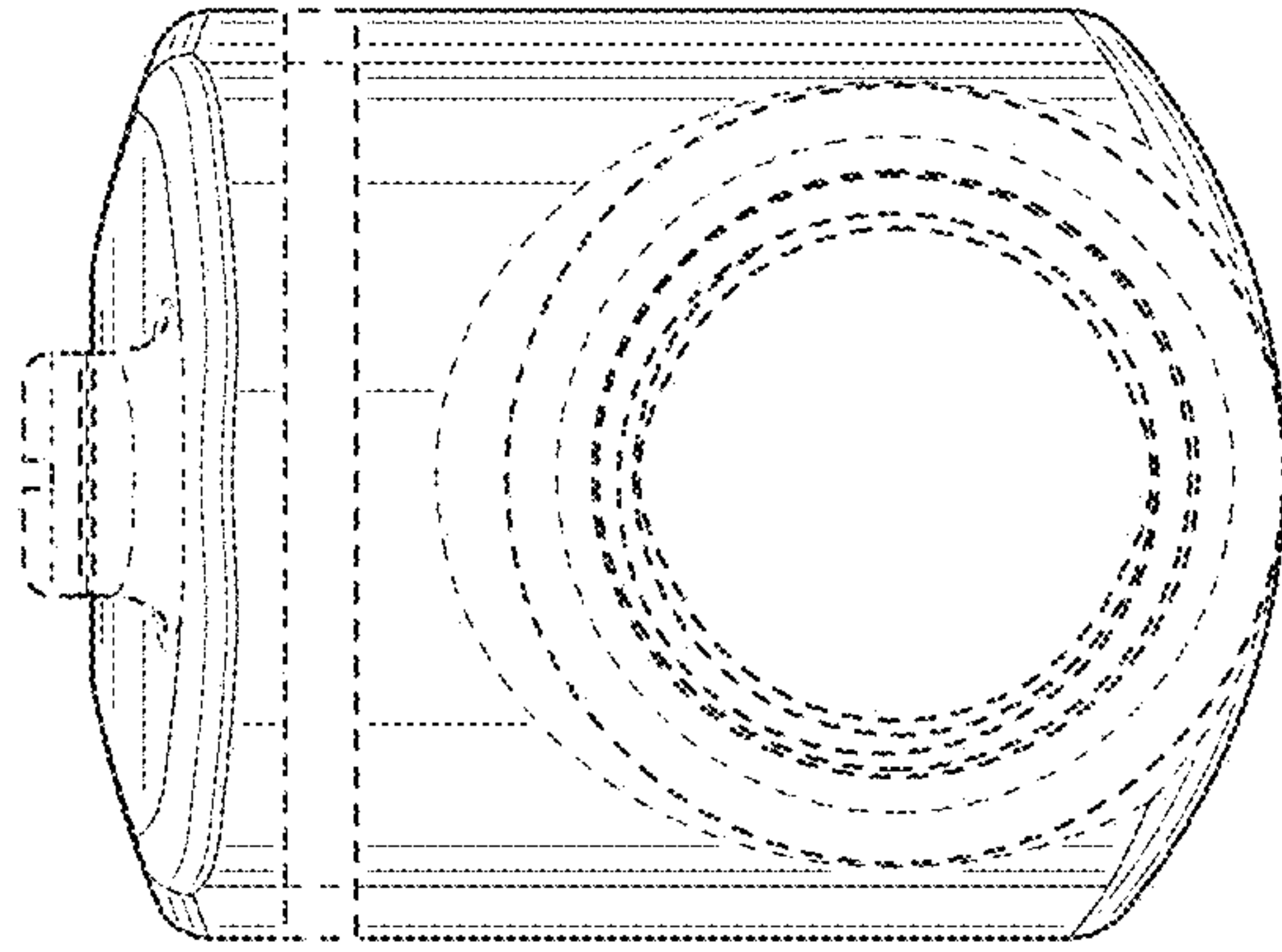


FIG. 5

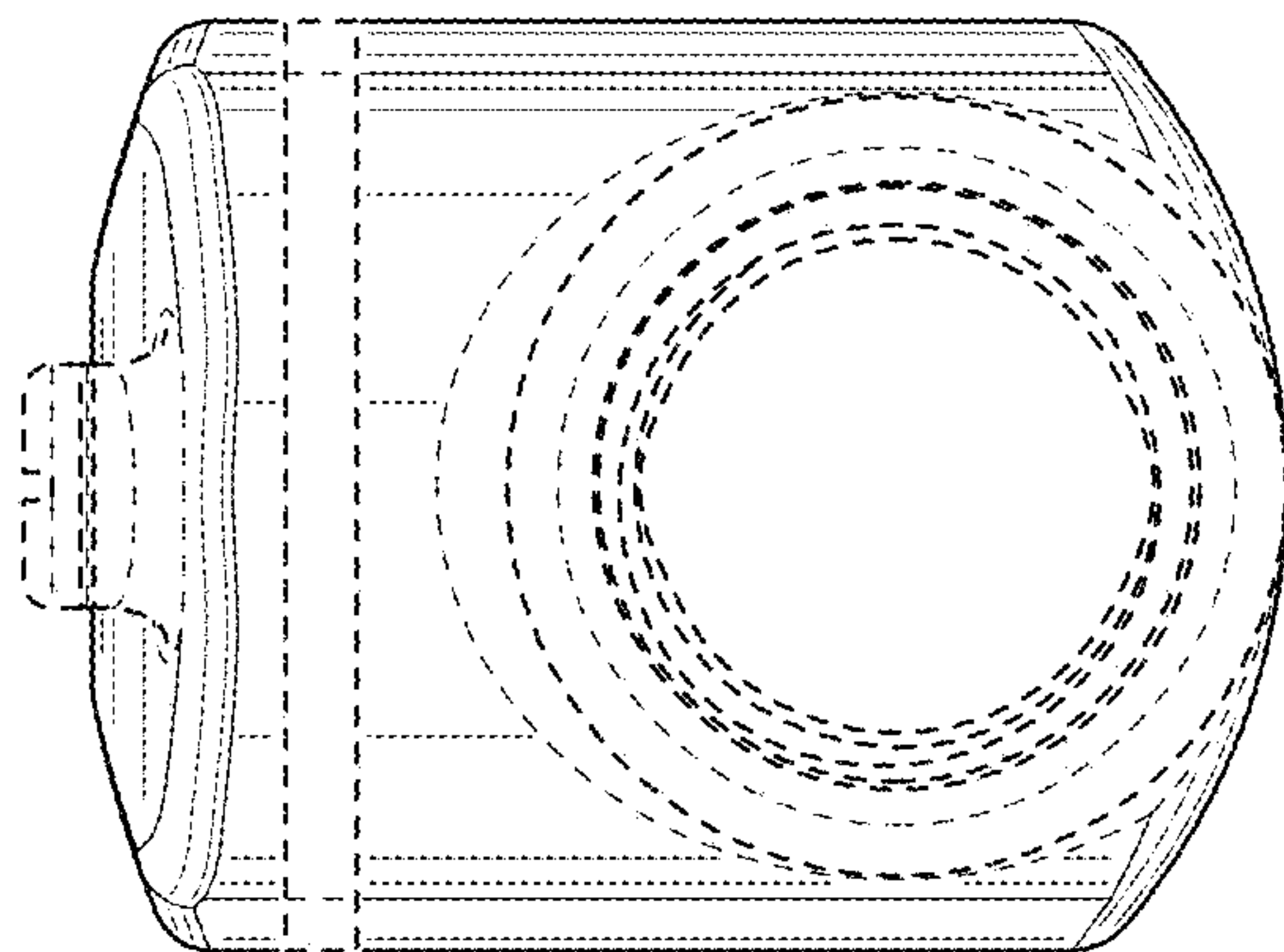


FIG. 6

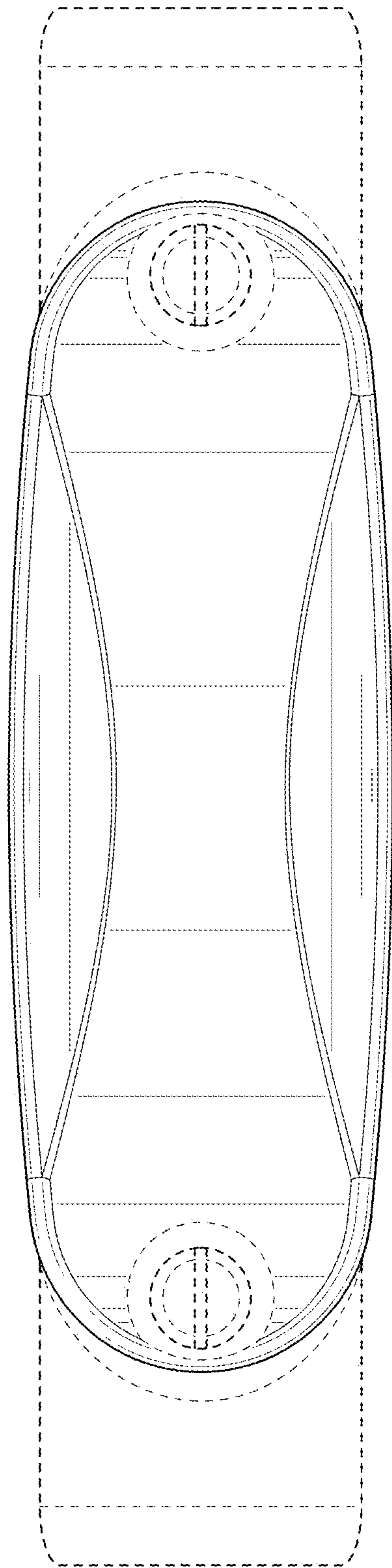


FIG. 7



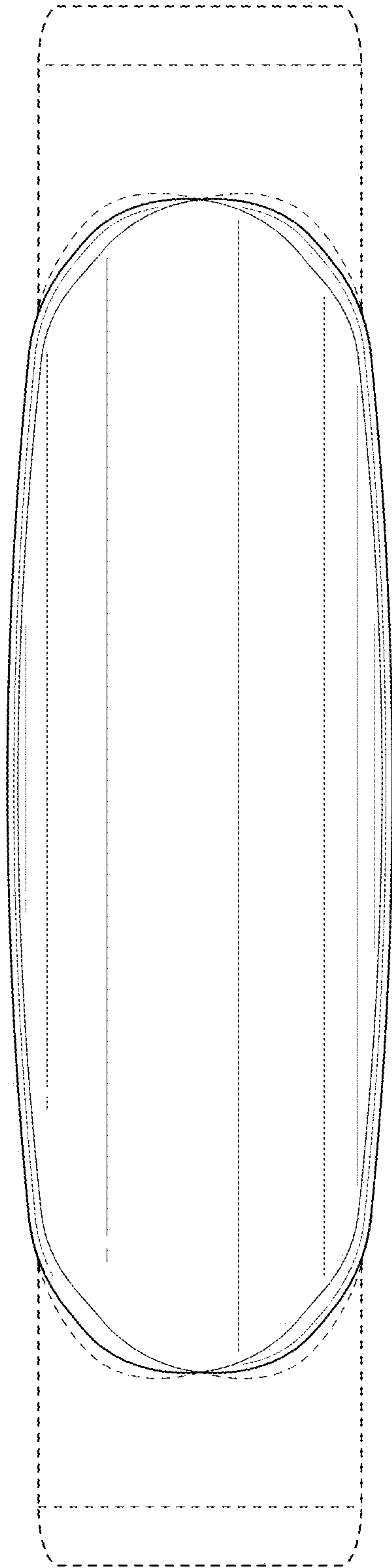


FIG. 8

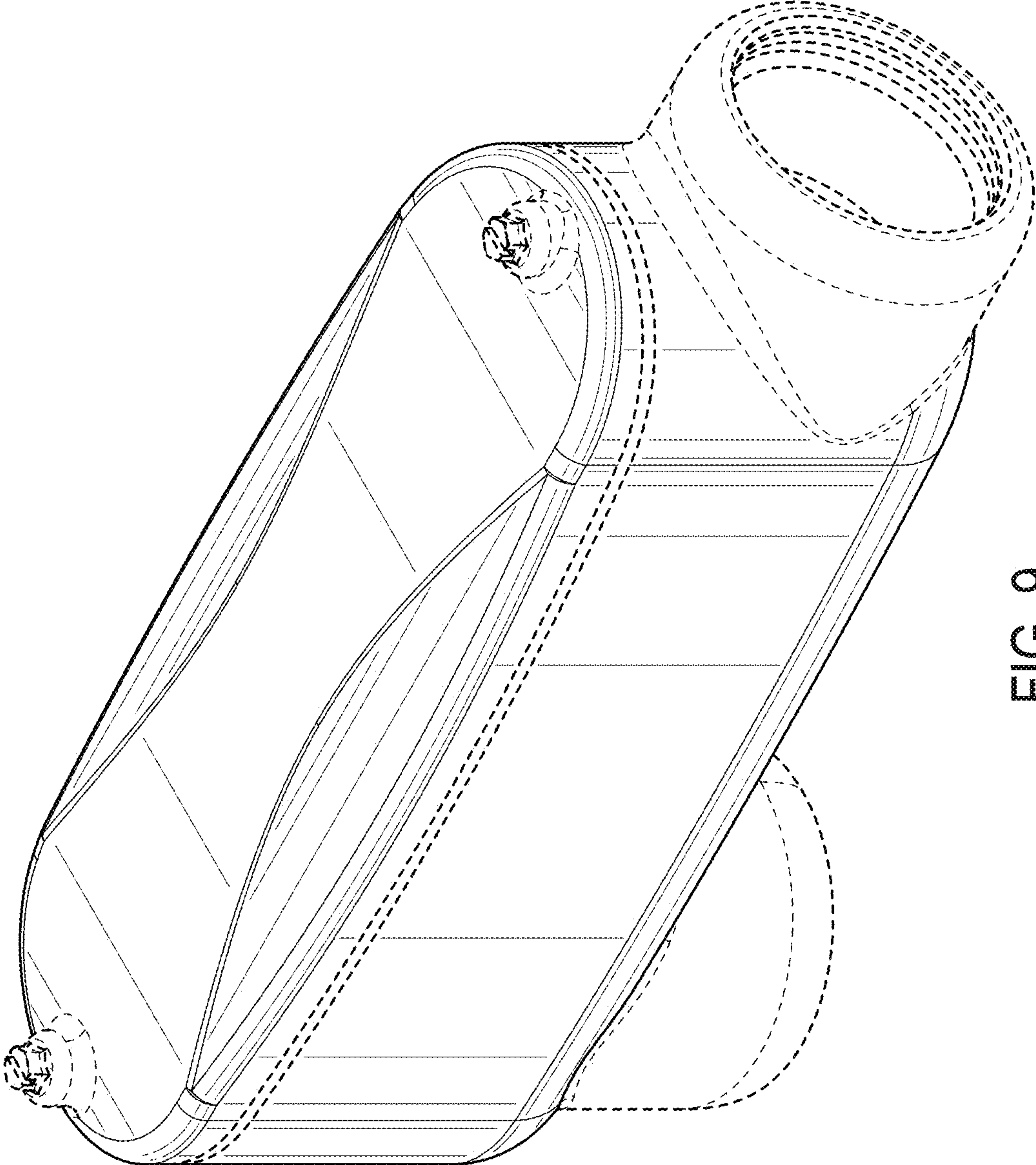


FIG. 9

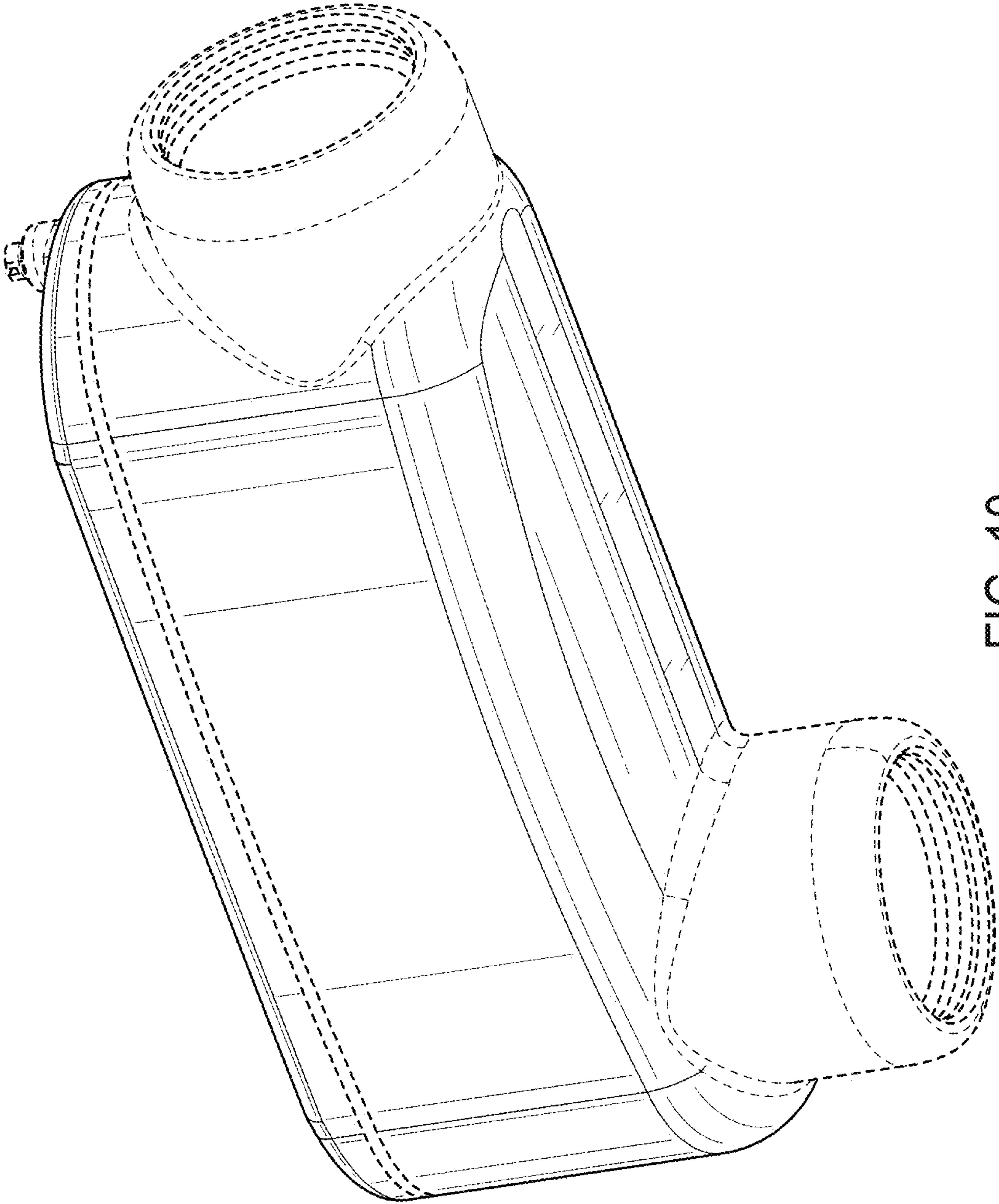


FIG. 10

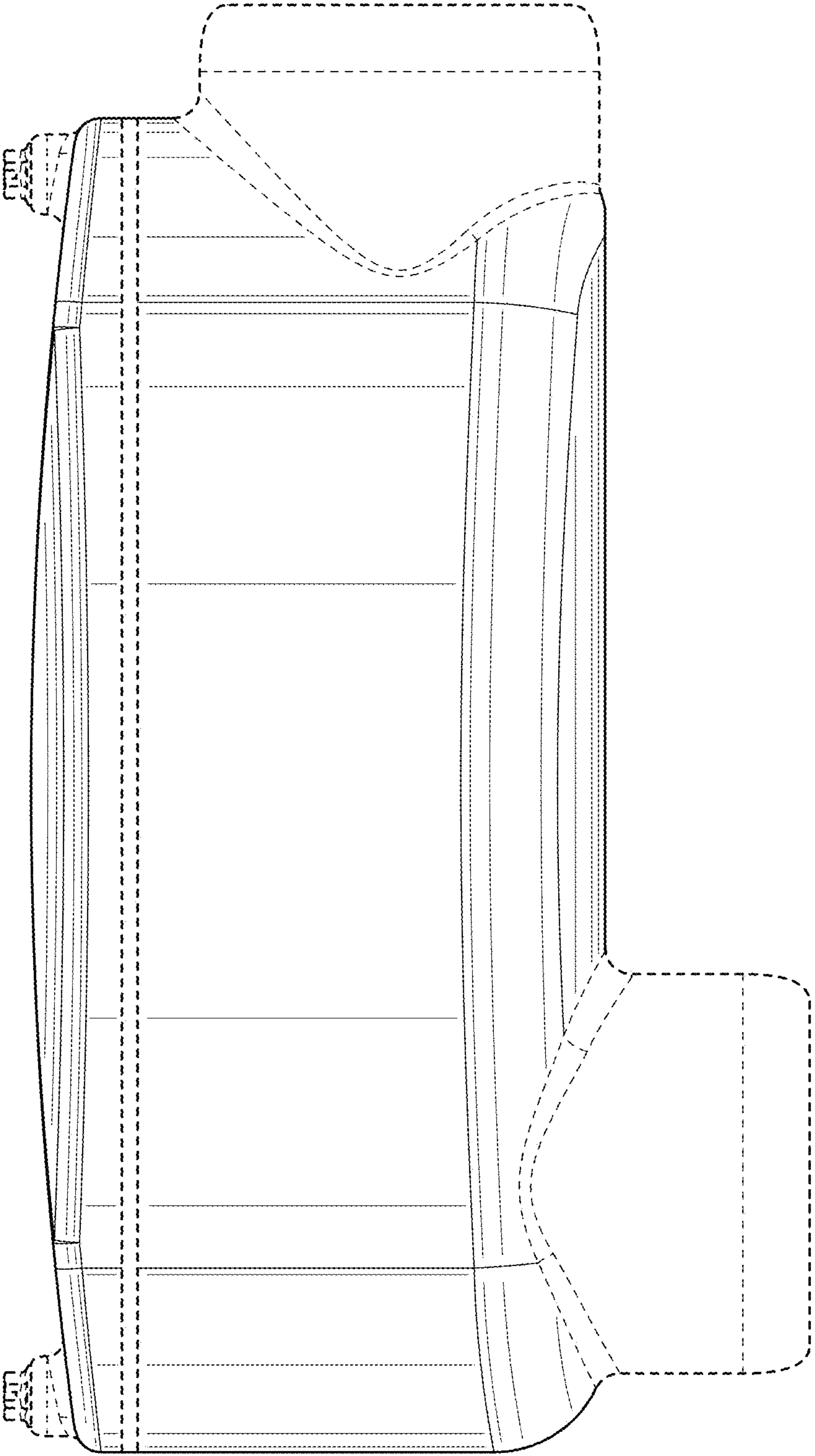


FIG. 11



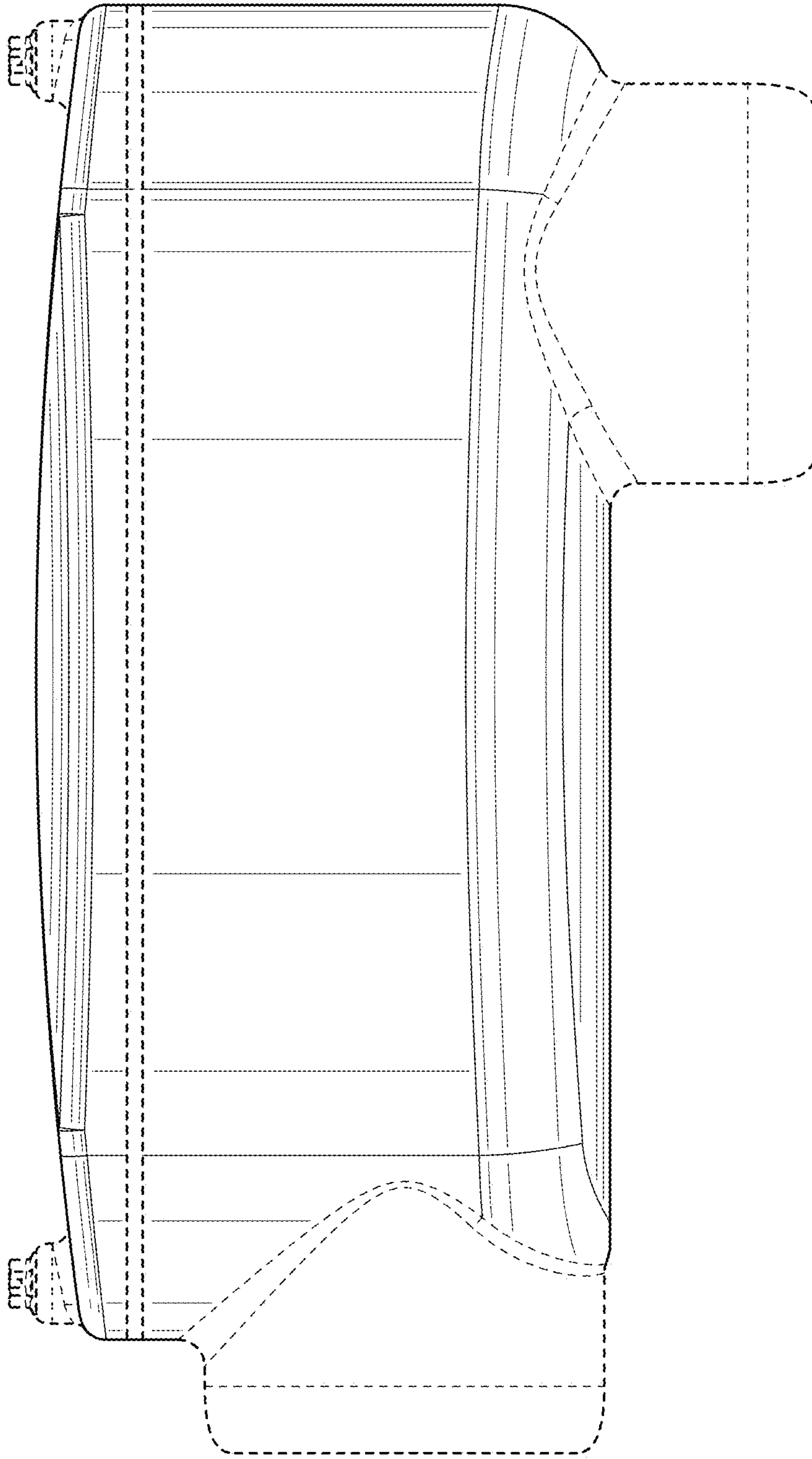


FIG. 12

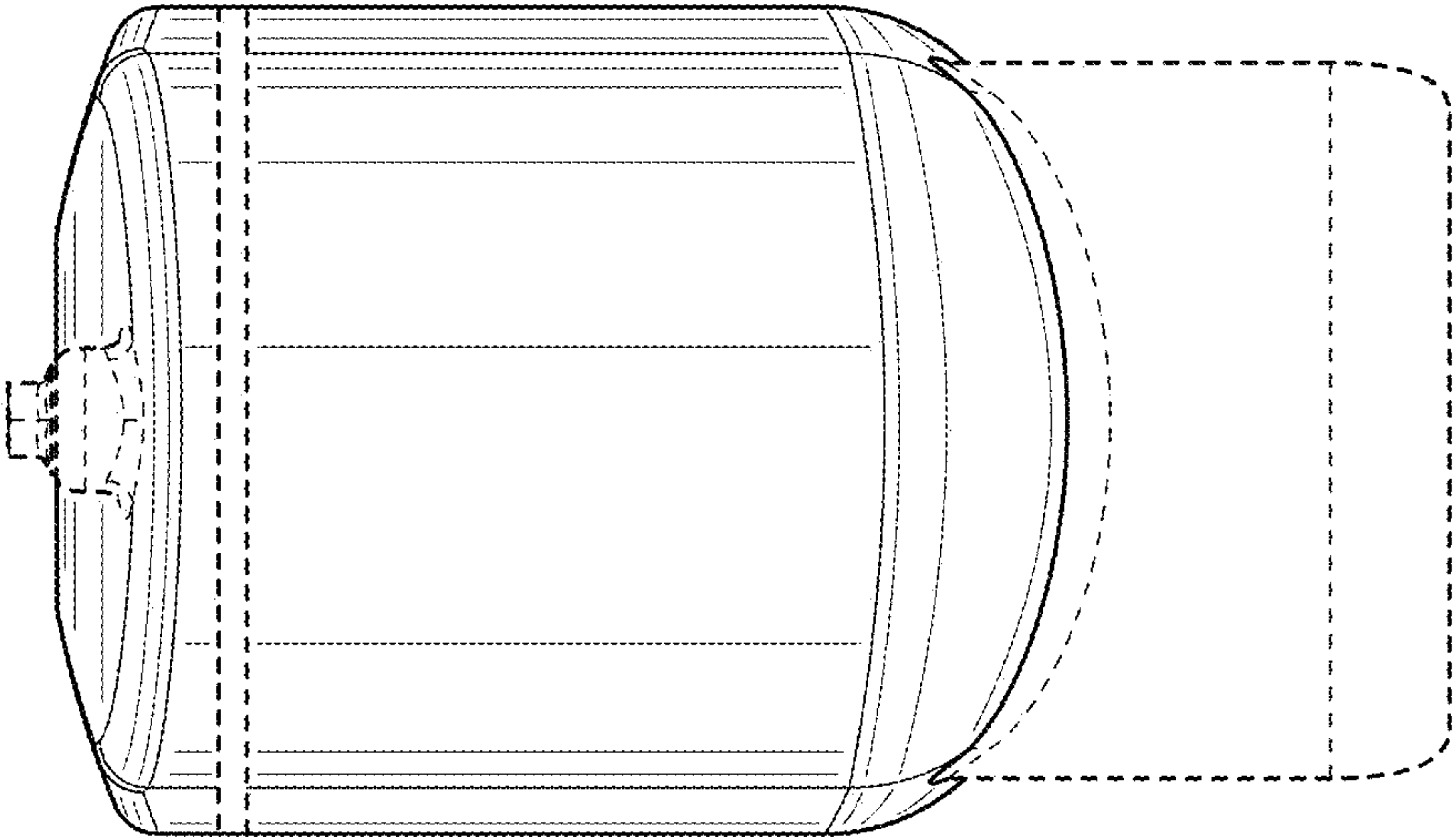


FIG. 13

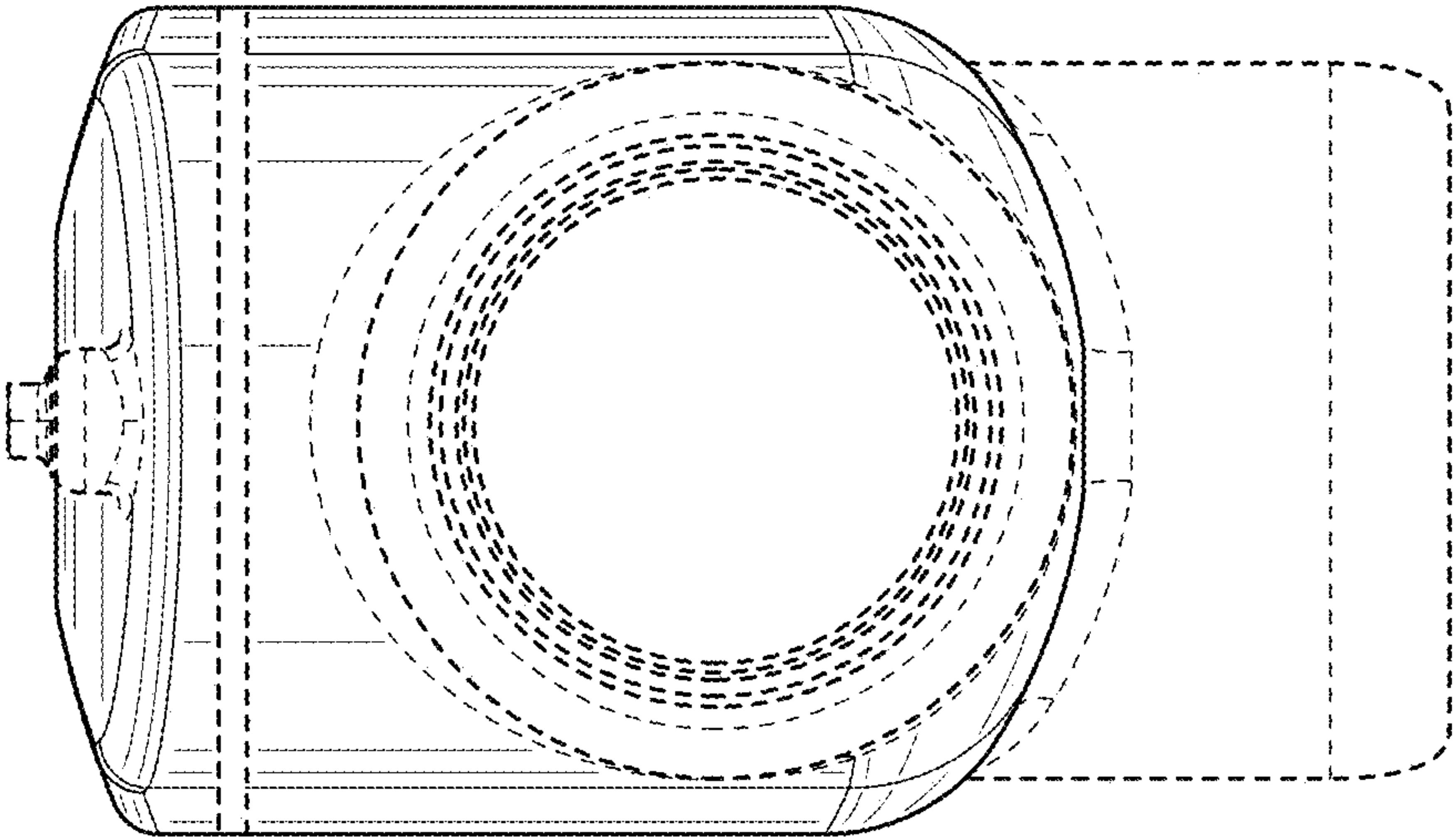


FIG. 14

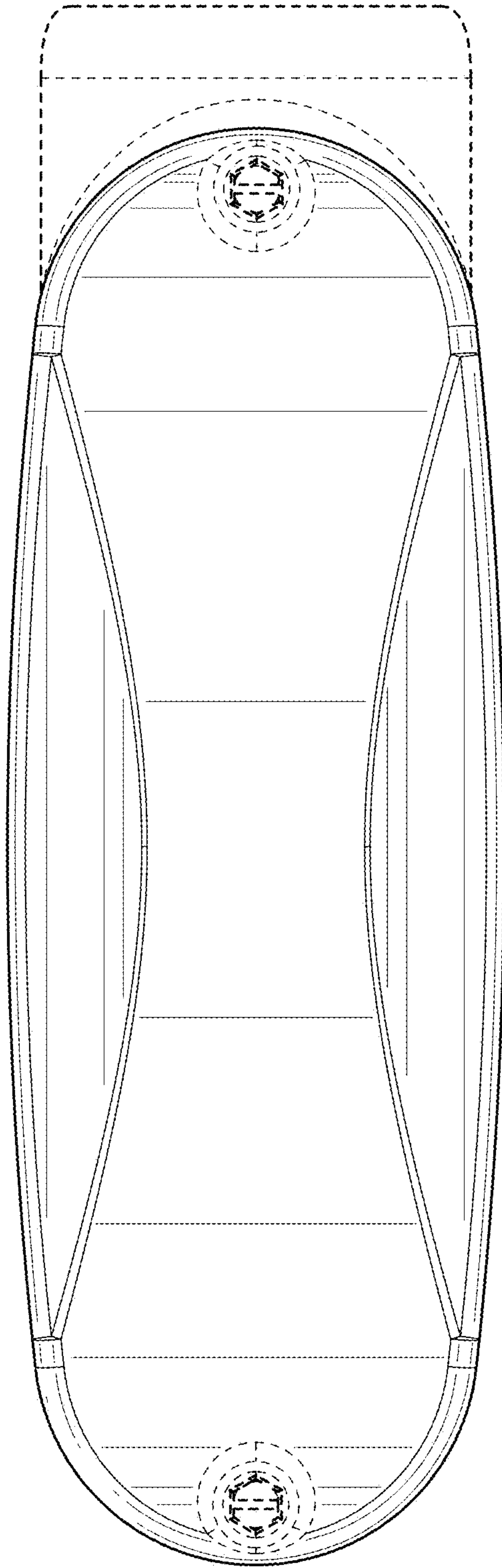


FIG. 15

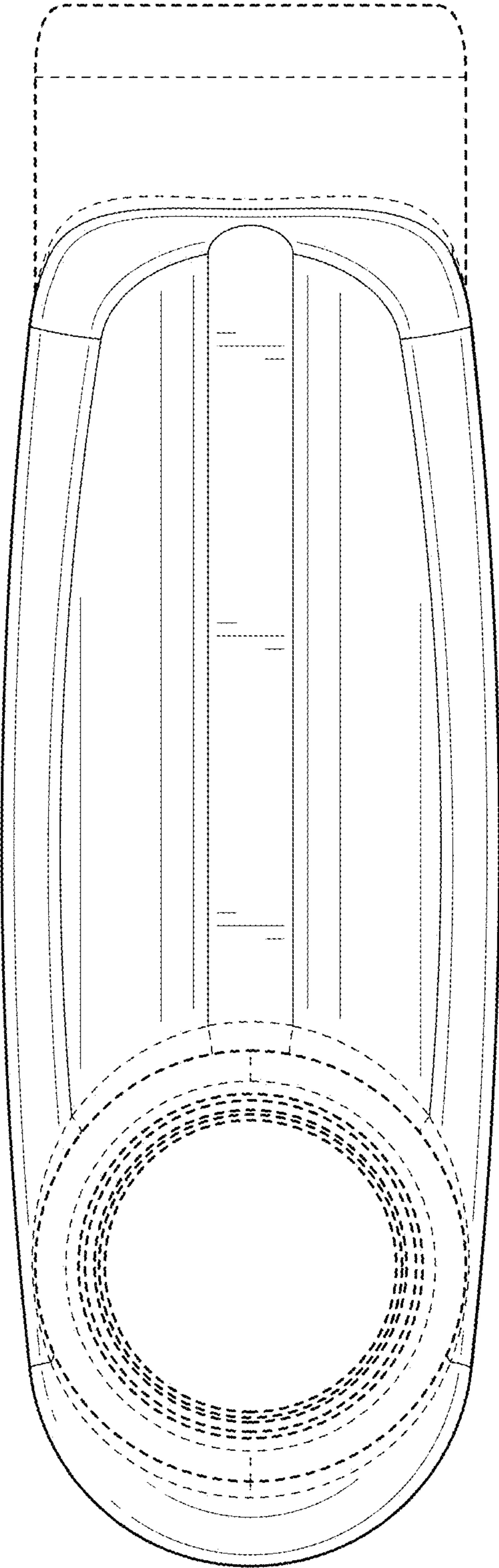


FIG. 16



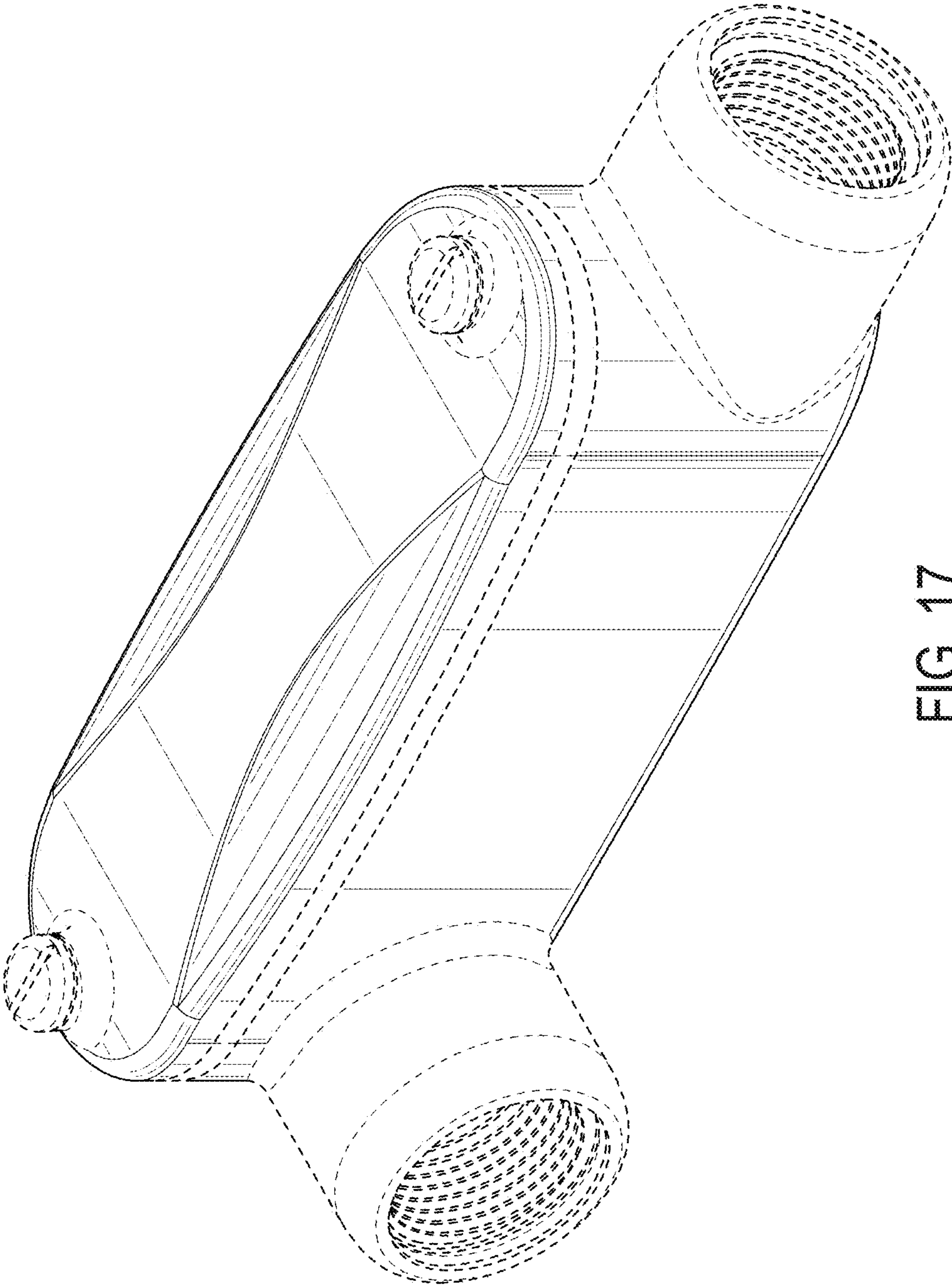


FIG. 17

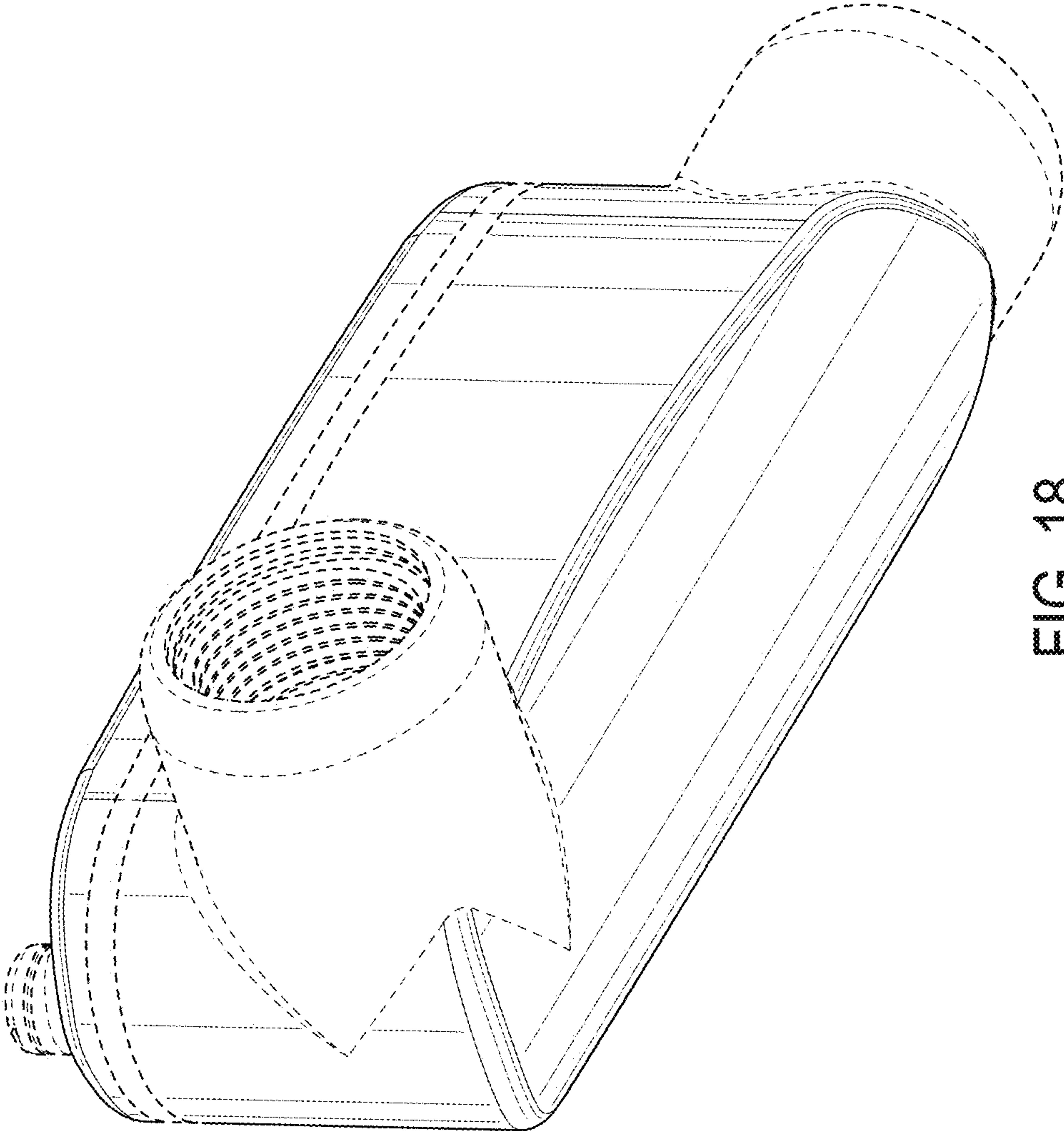


FIG. 18

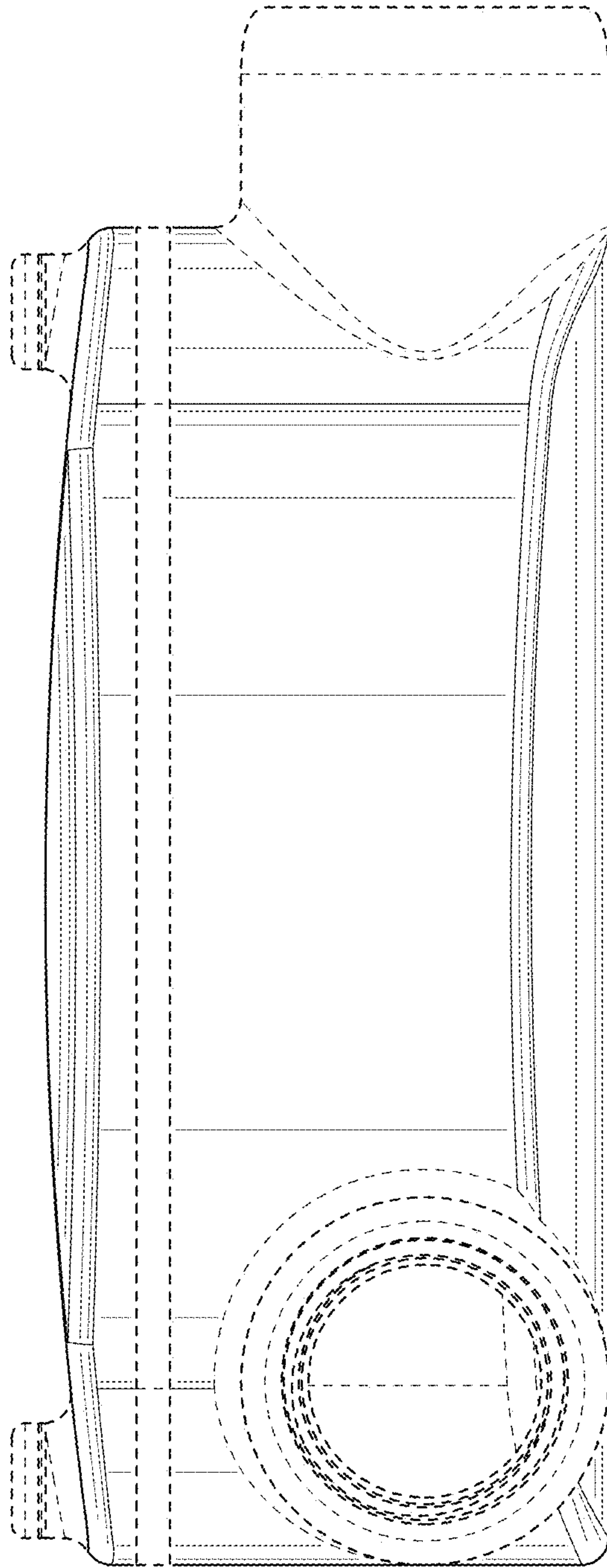


FIG. 19

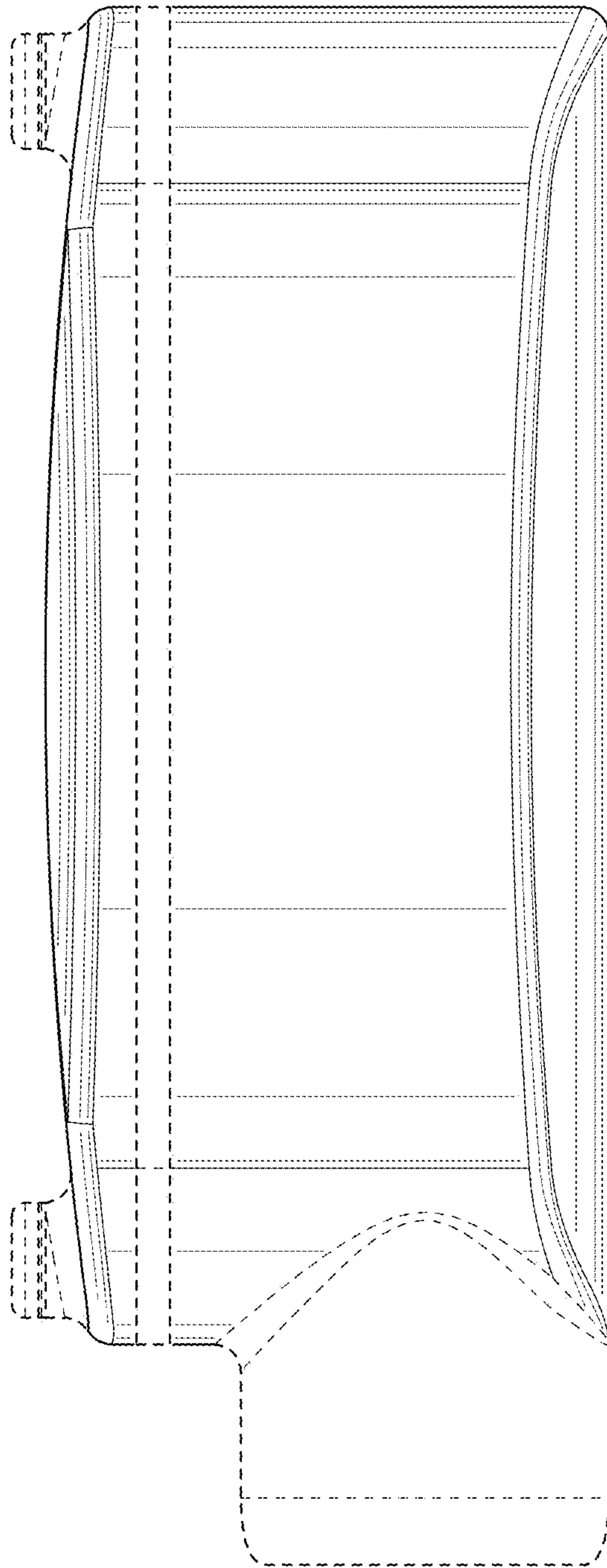


FIG. 20



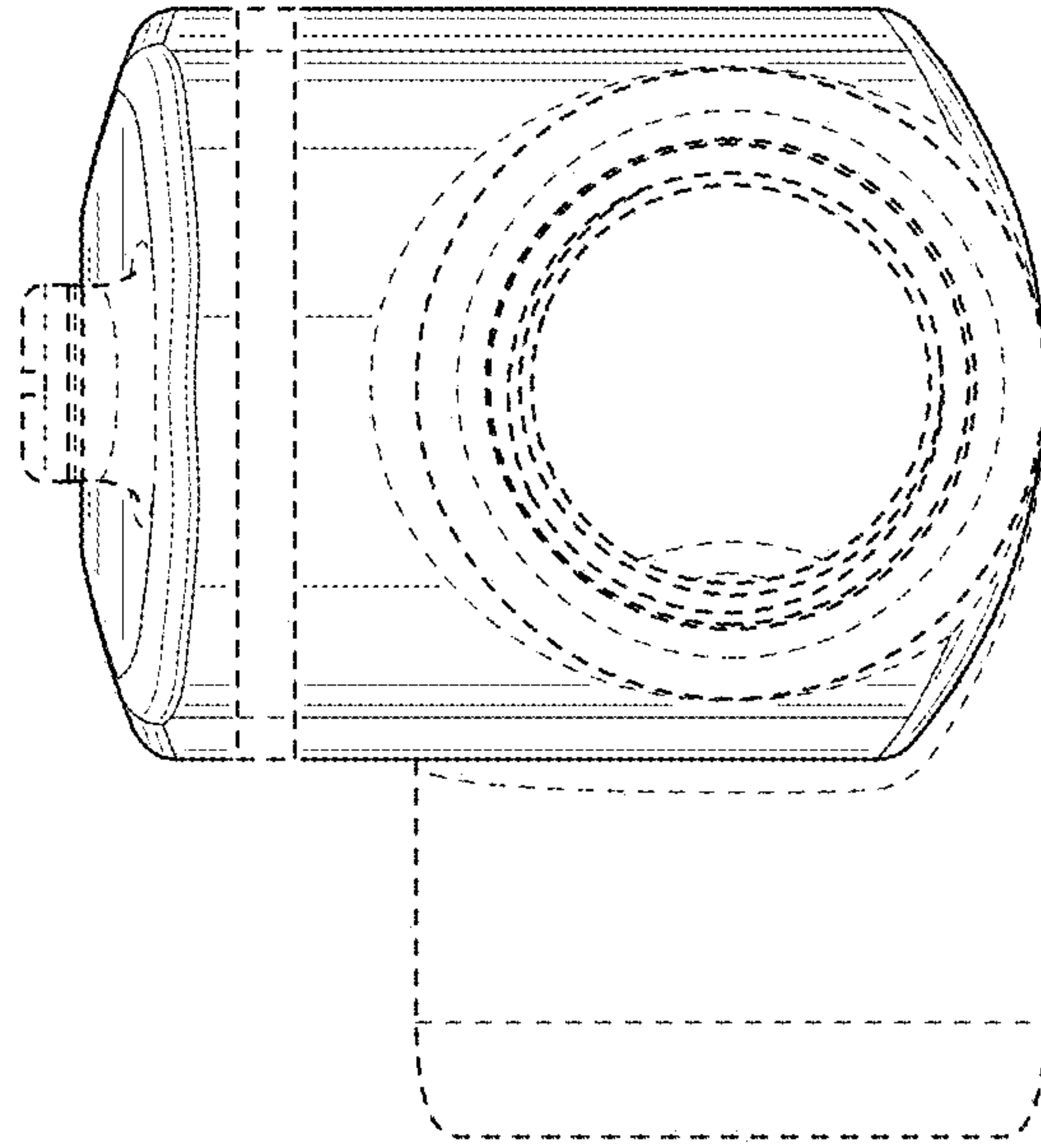


FIG. 22

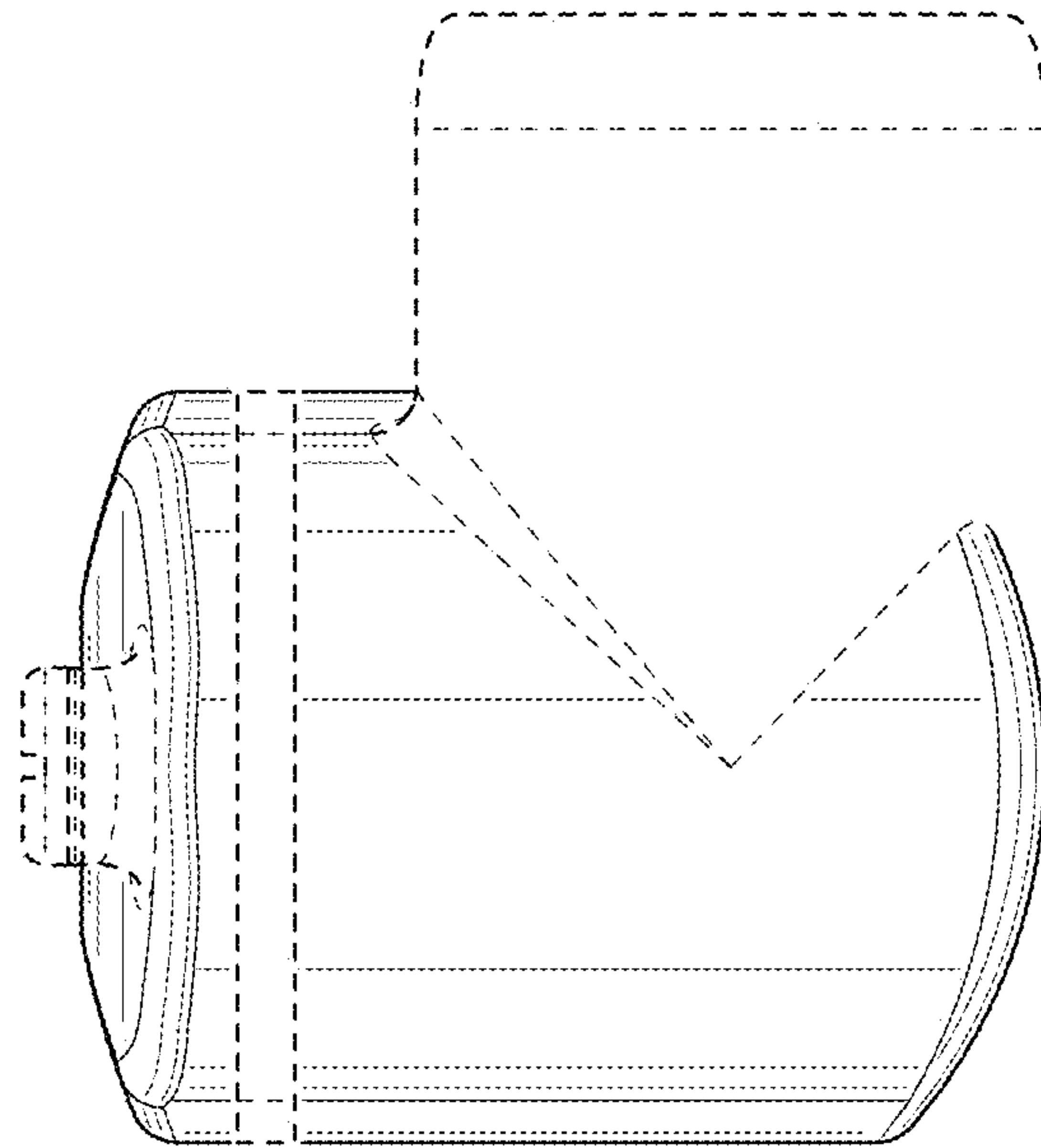


FIG. 21

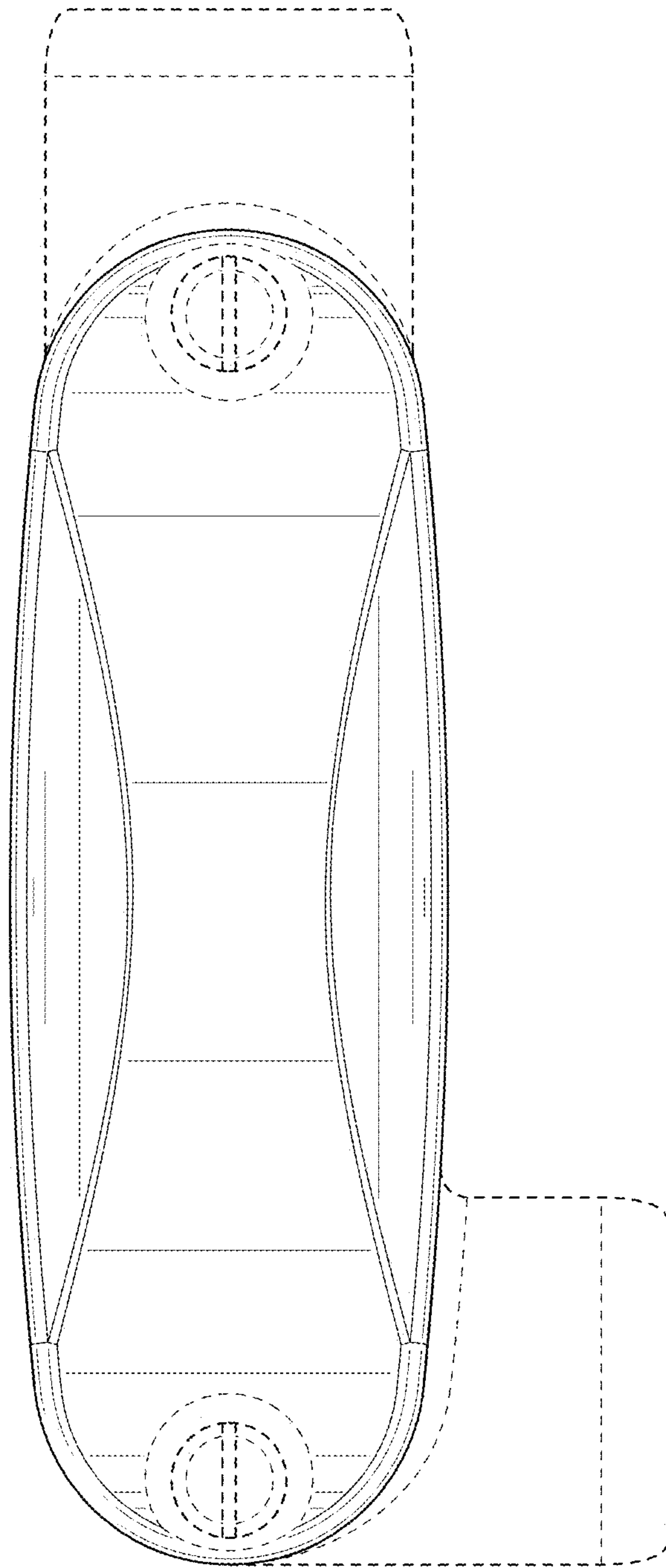


FIG. 23

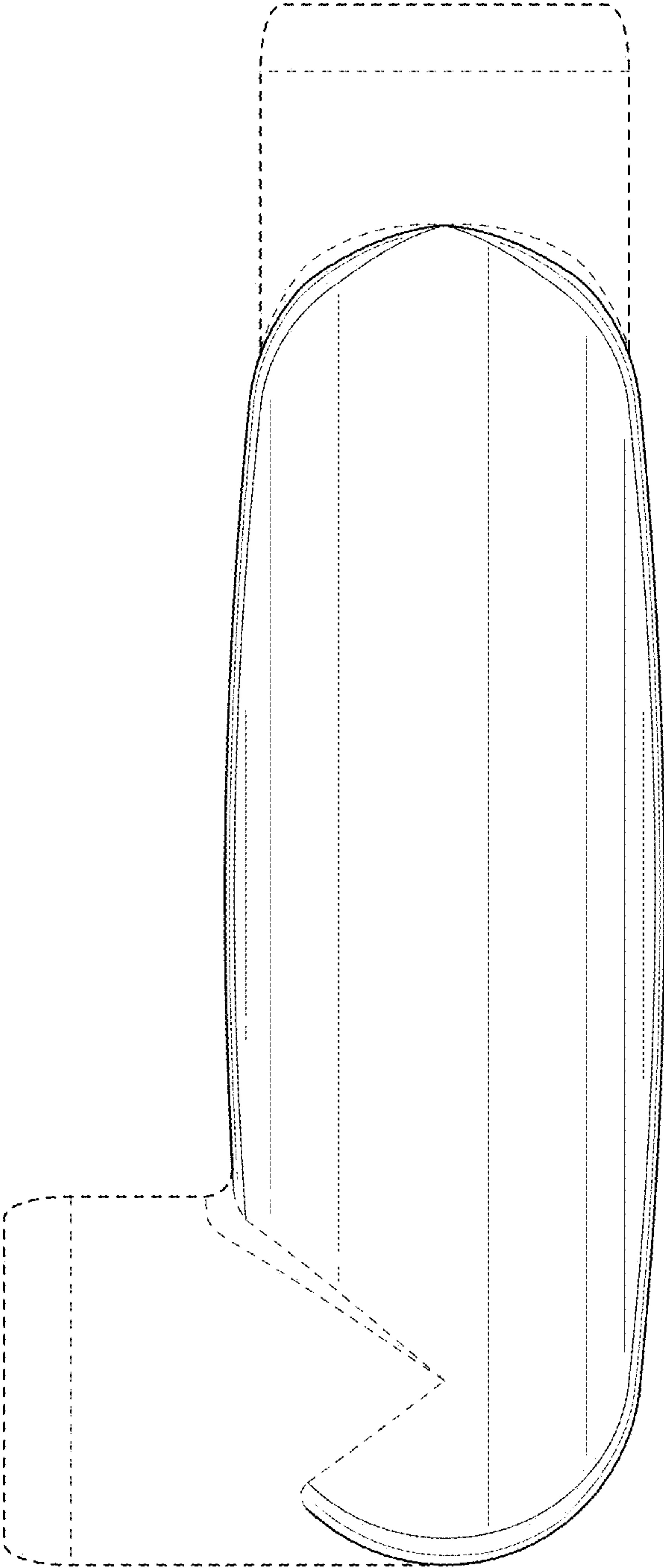


FIG. 24

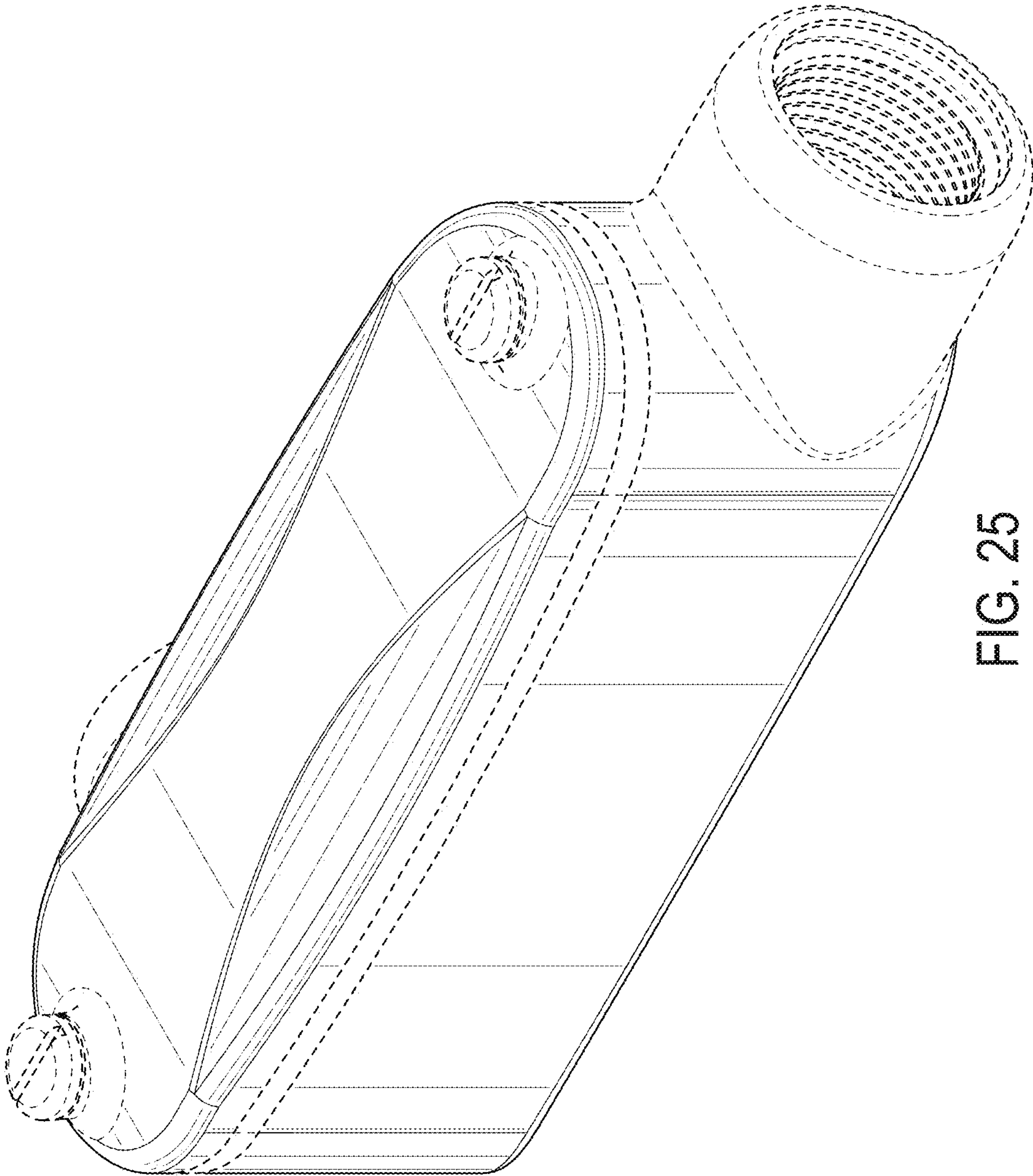


FIG. 25



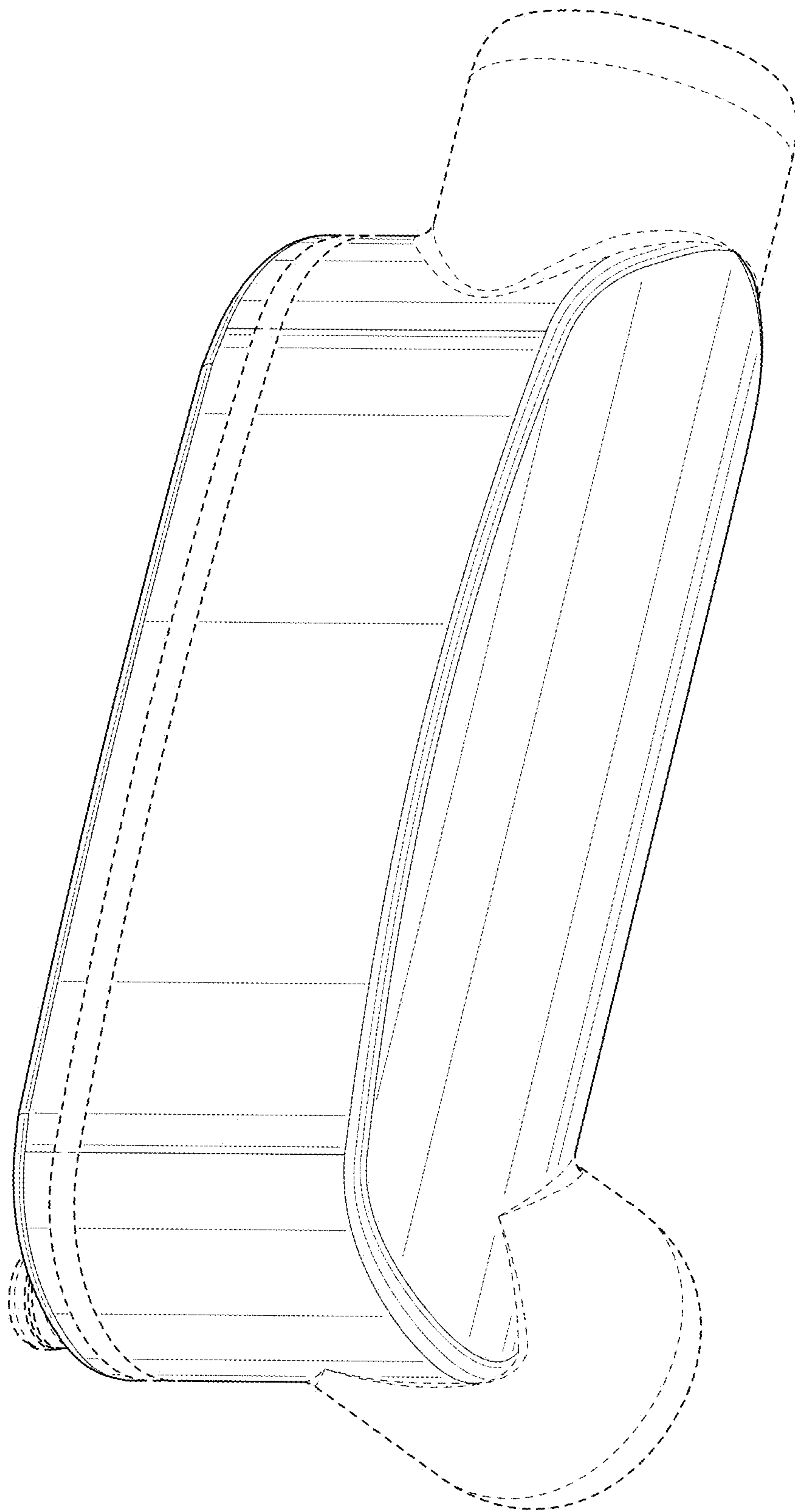


FIG. 26

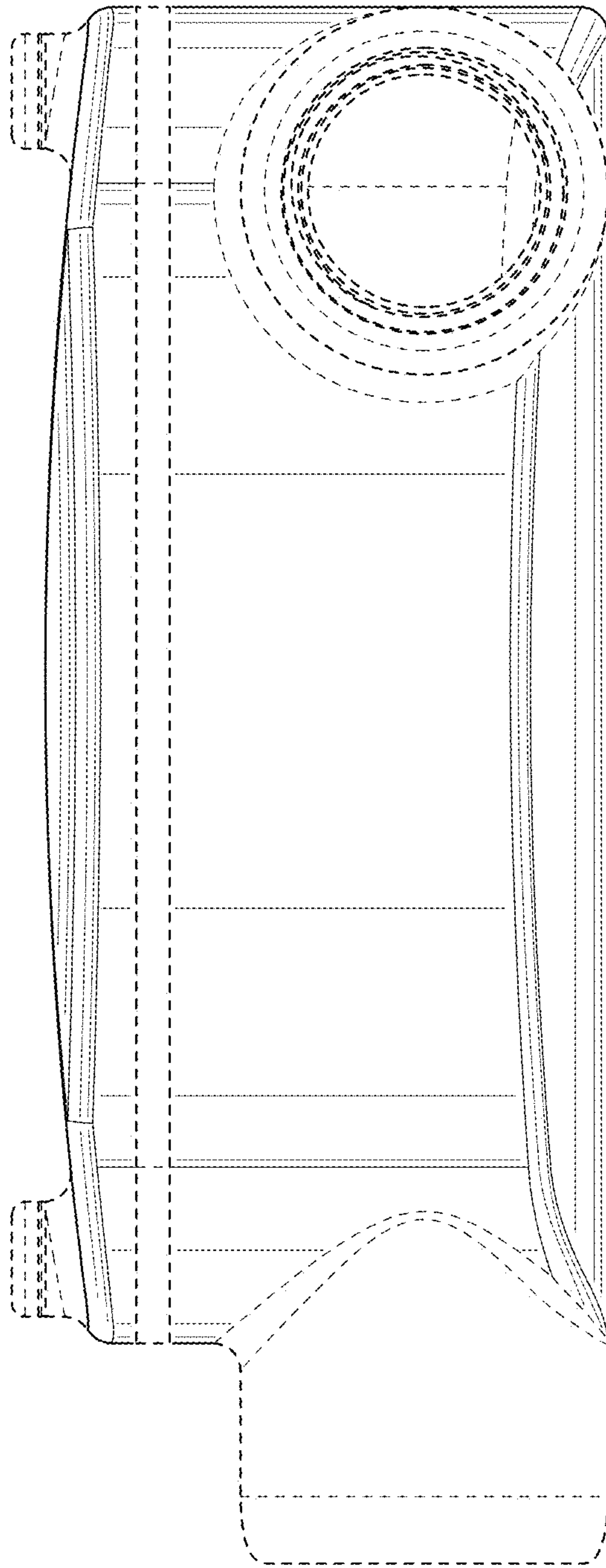


FIG. 27

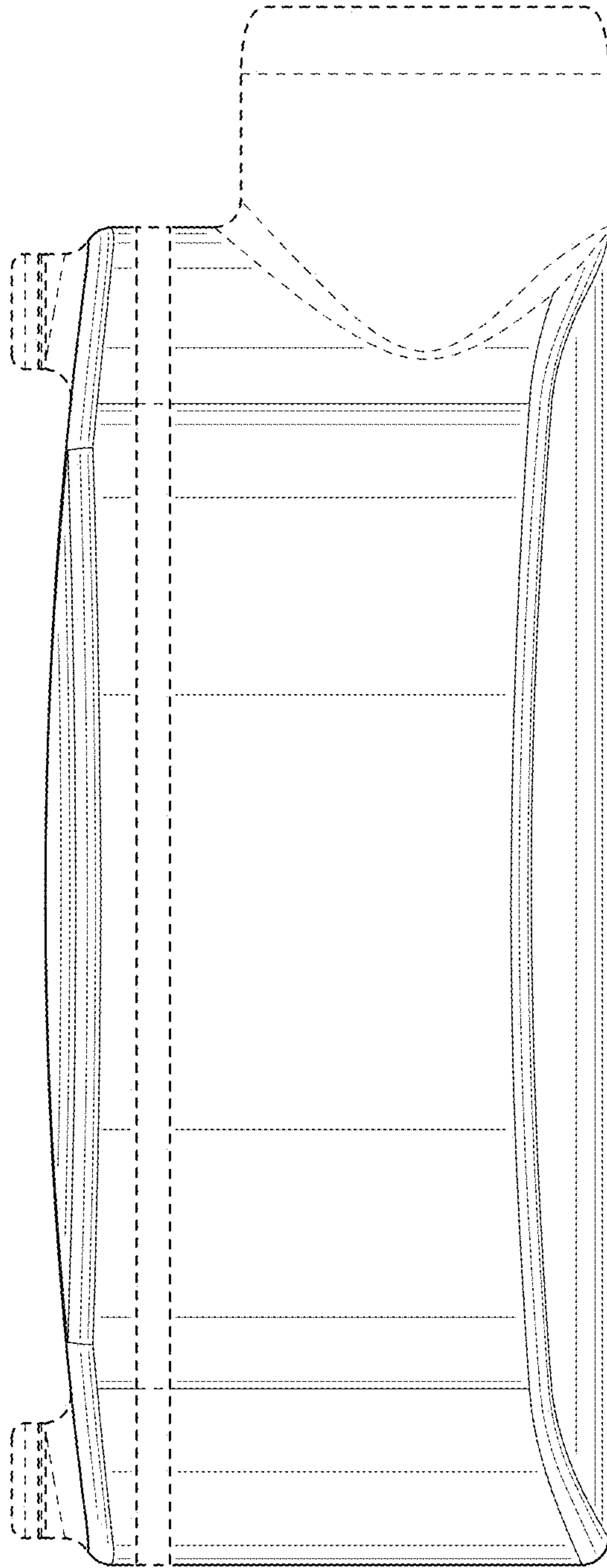


FIG. 28

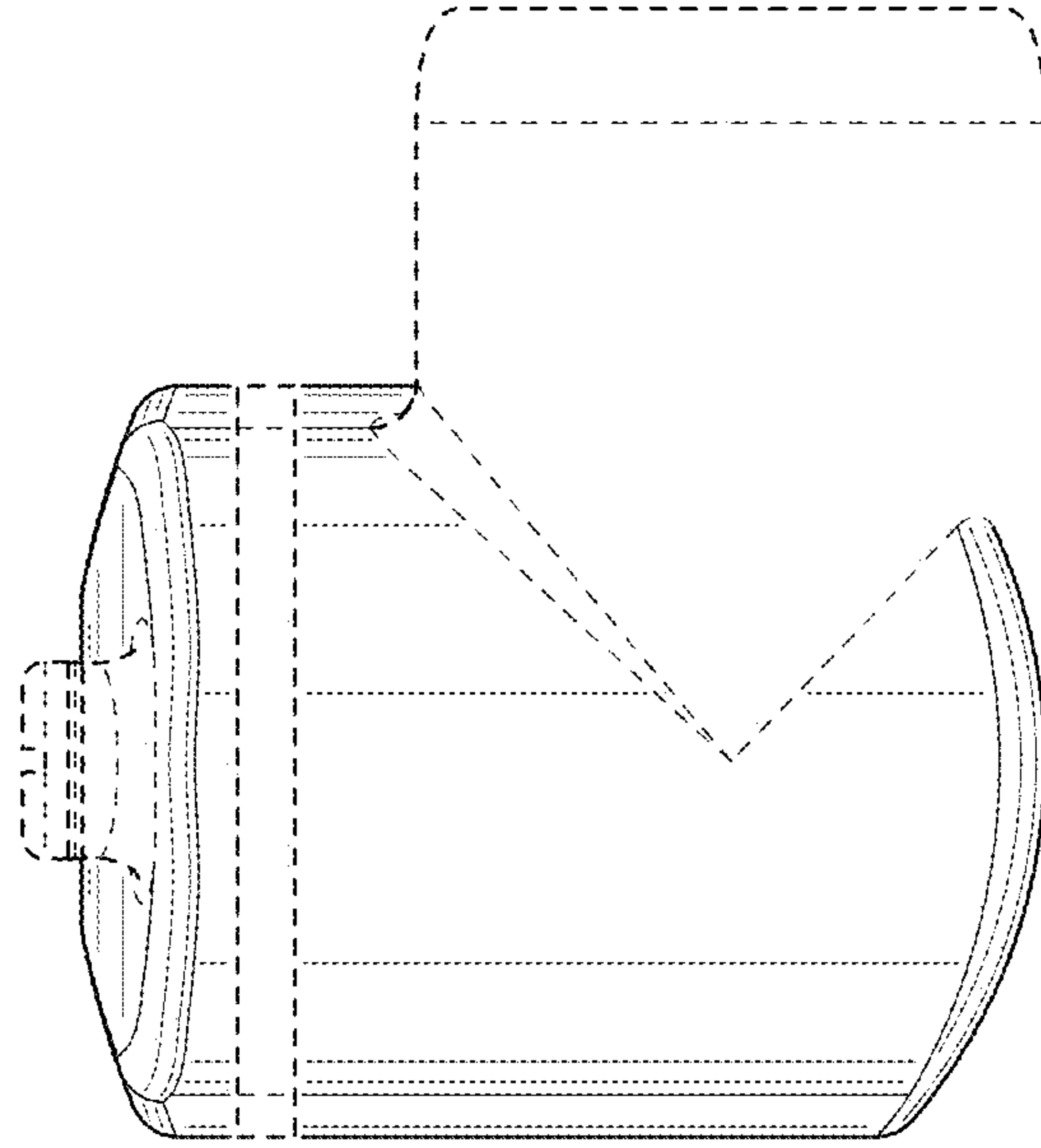


FIG. 30

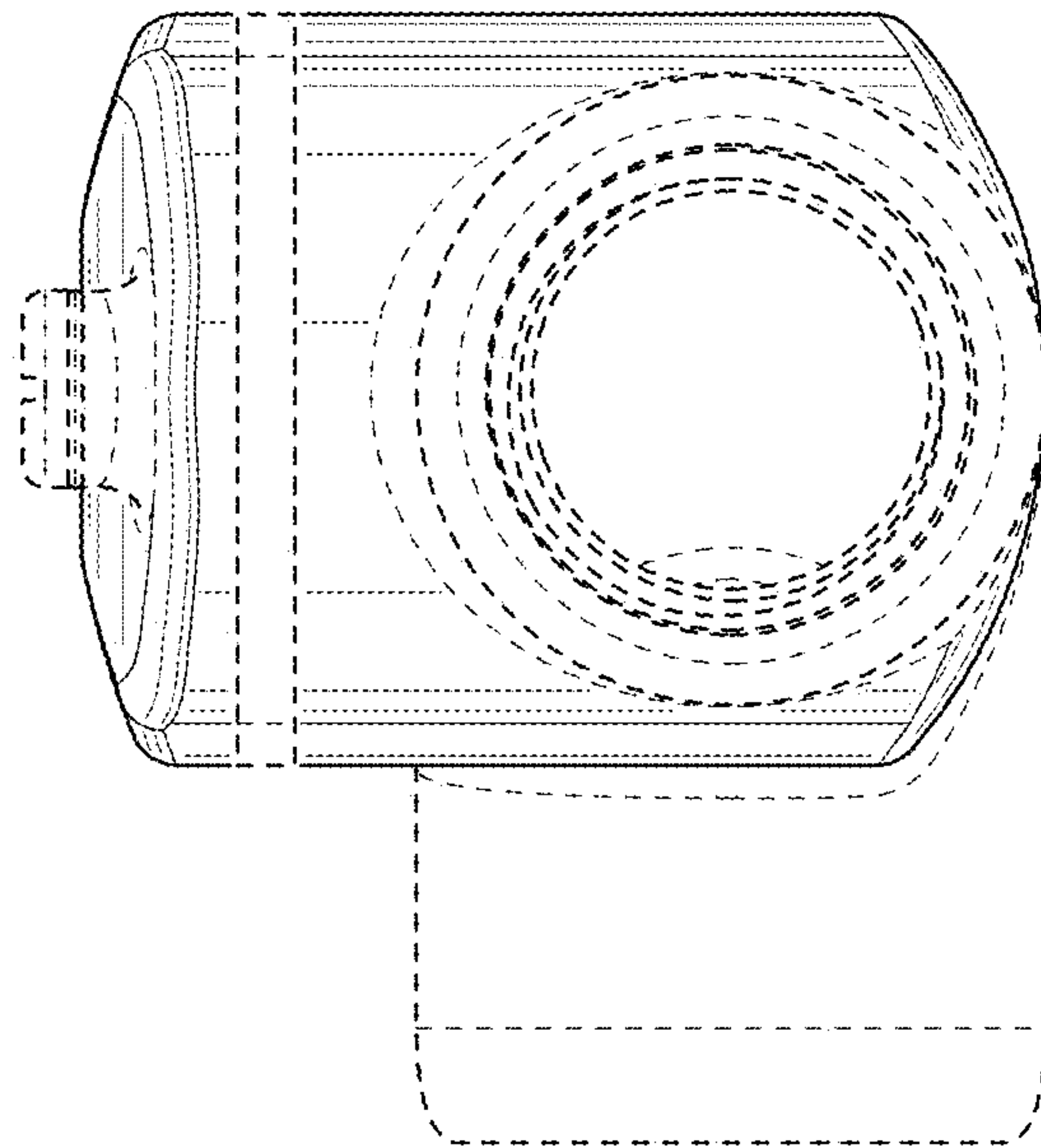


FIG. 29

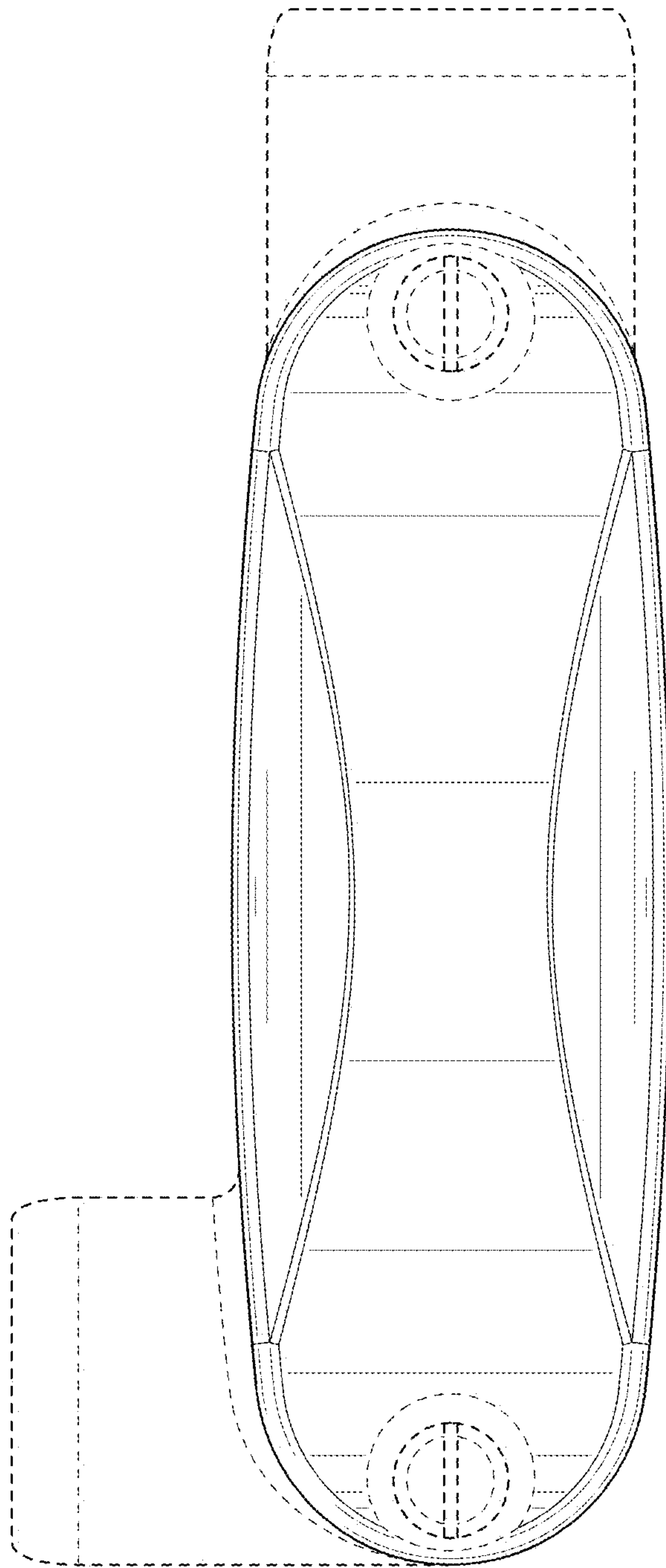


FIG. 31



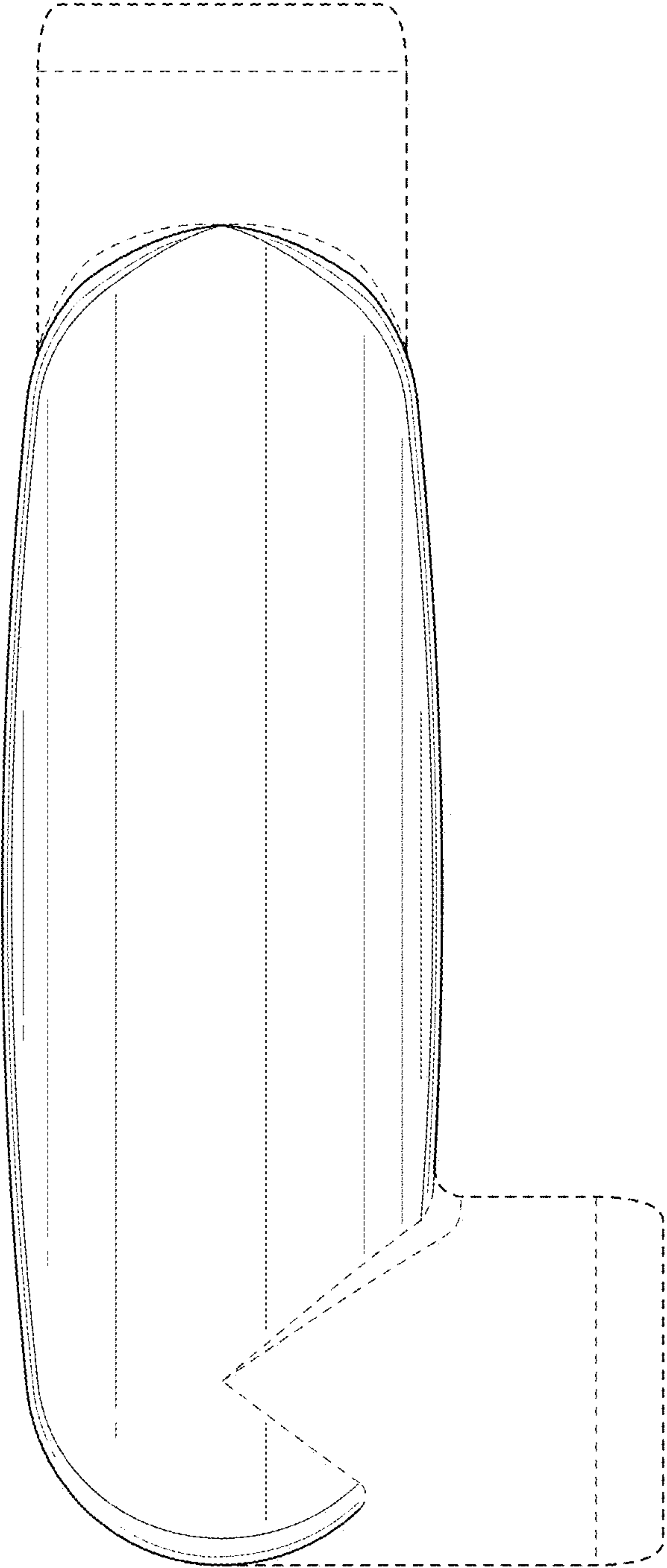


FIG. 32

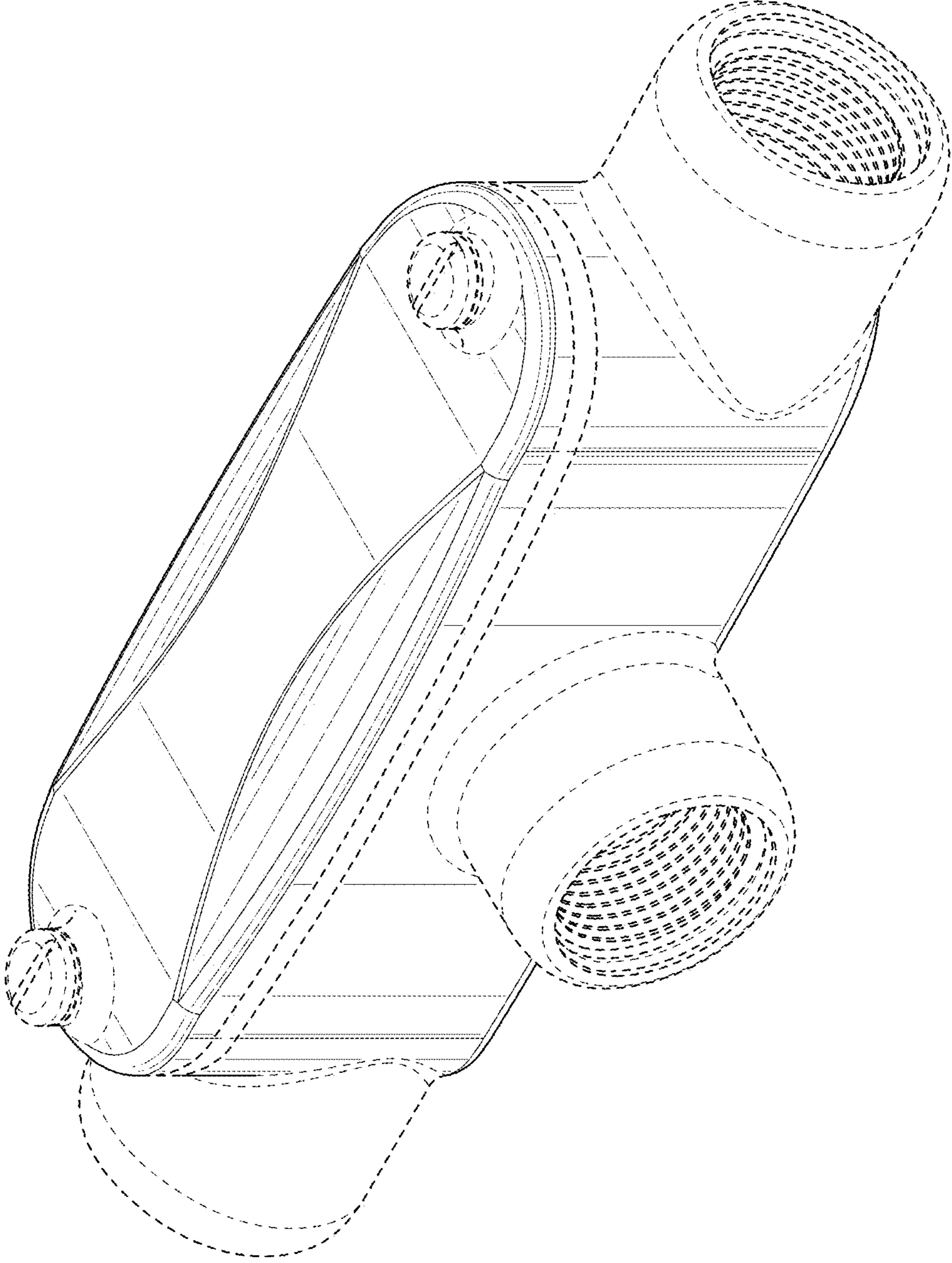


FIG. 33

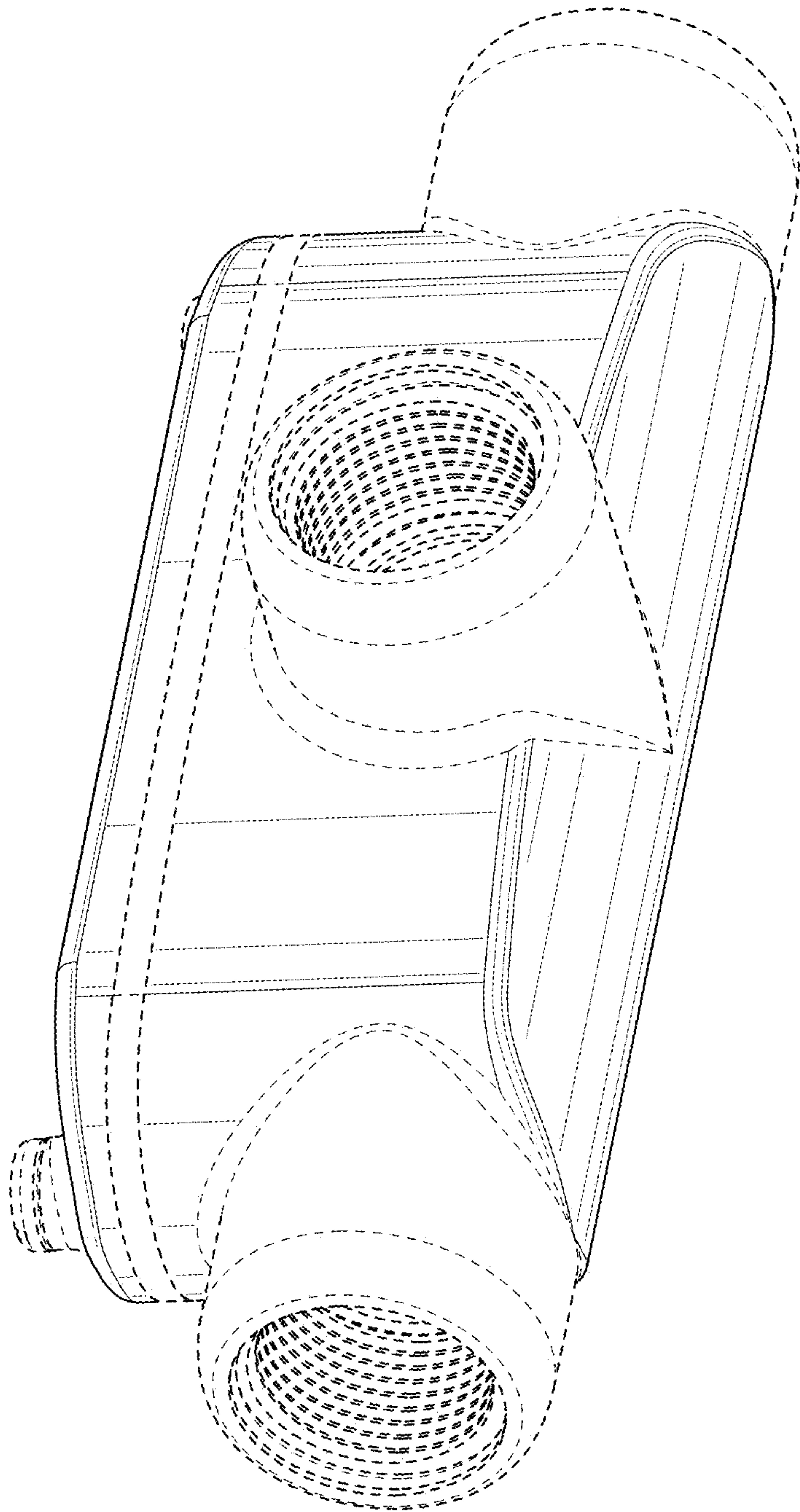


FIG. 34

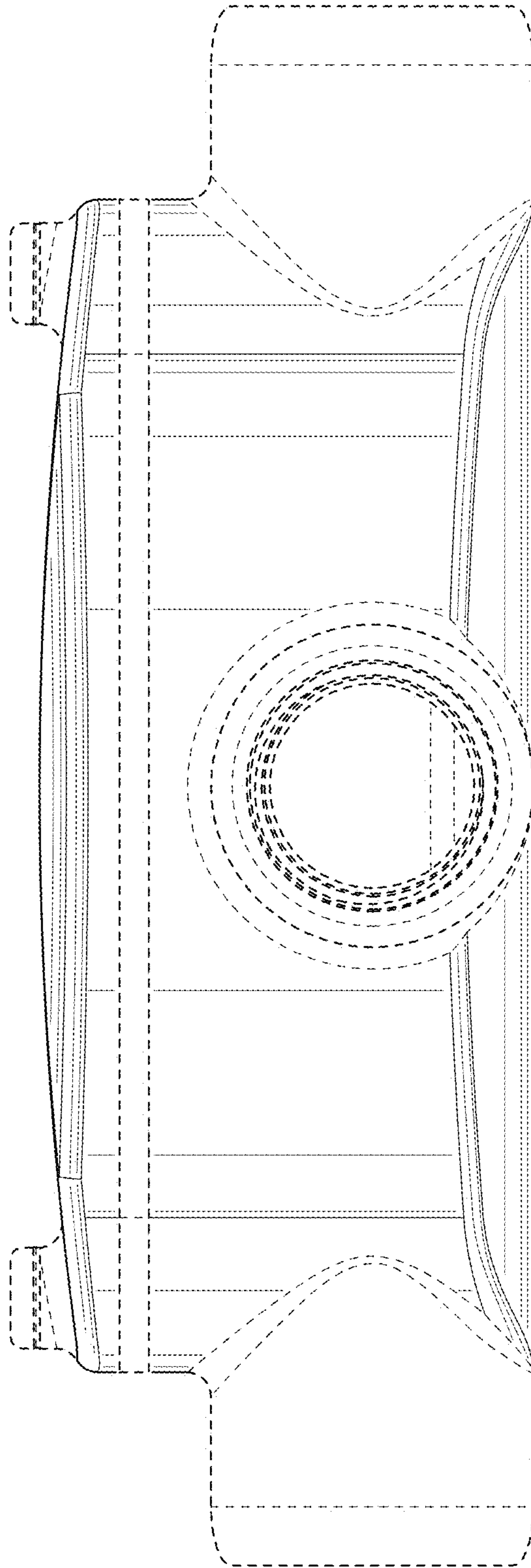


FIG. 35

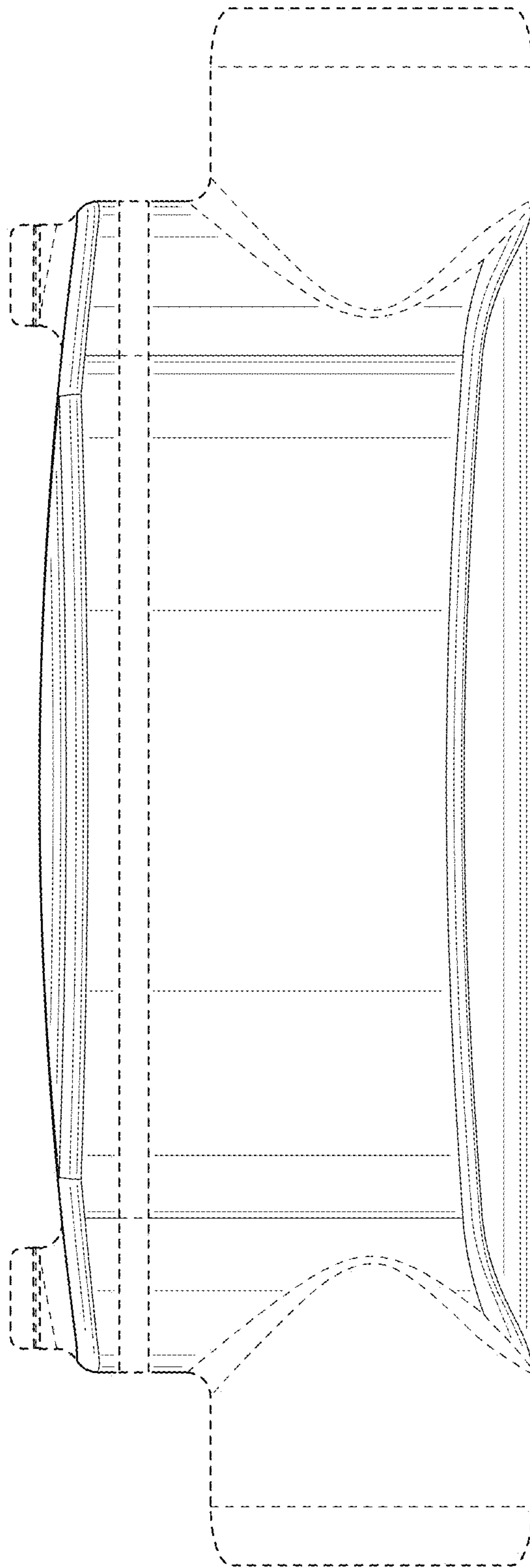


FIG. 36



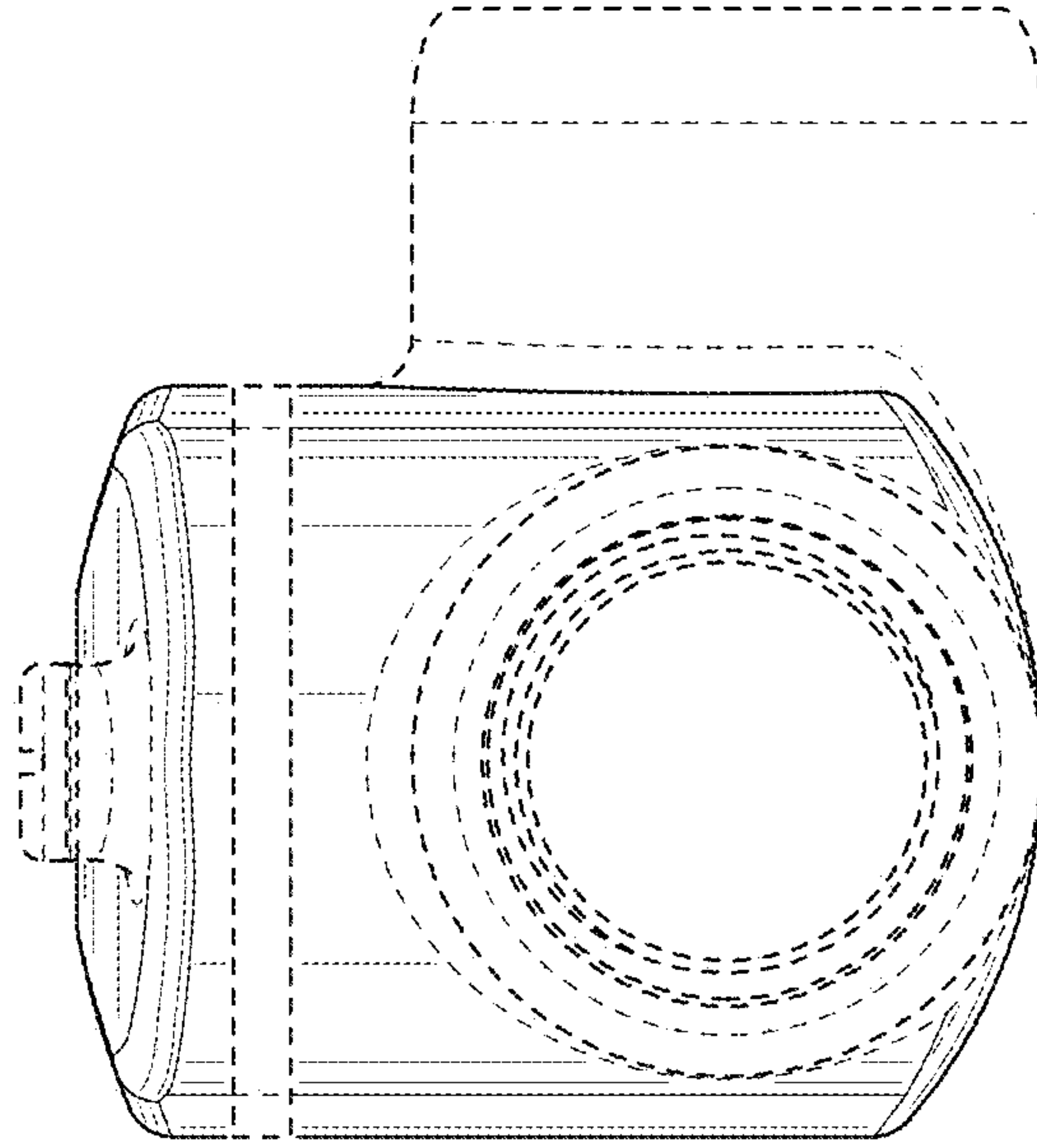


FIG. 38

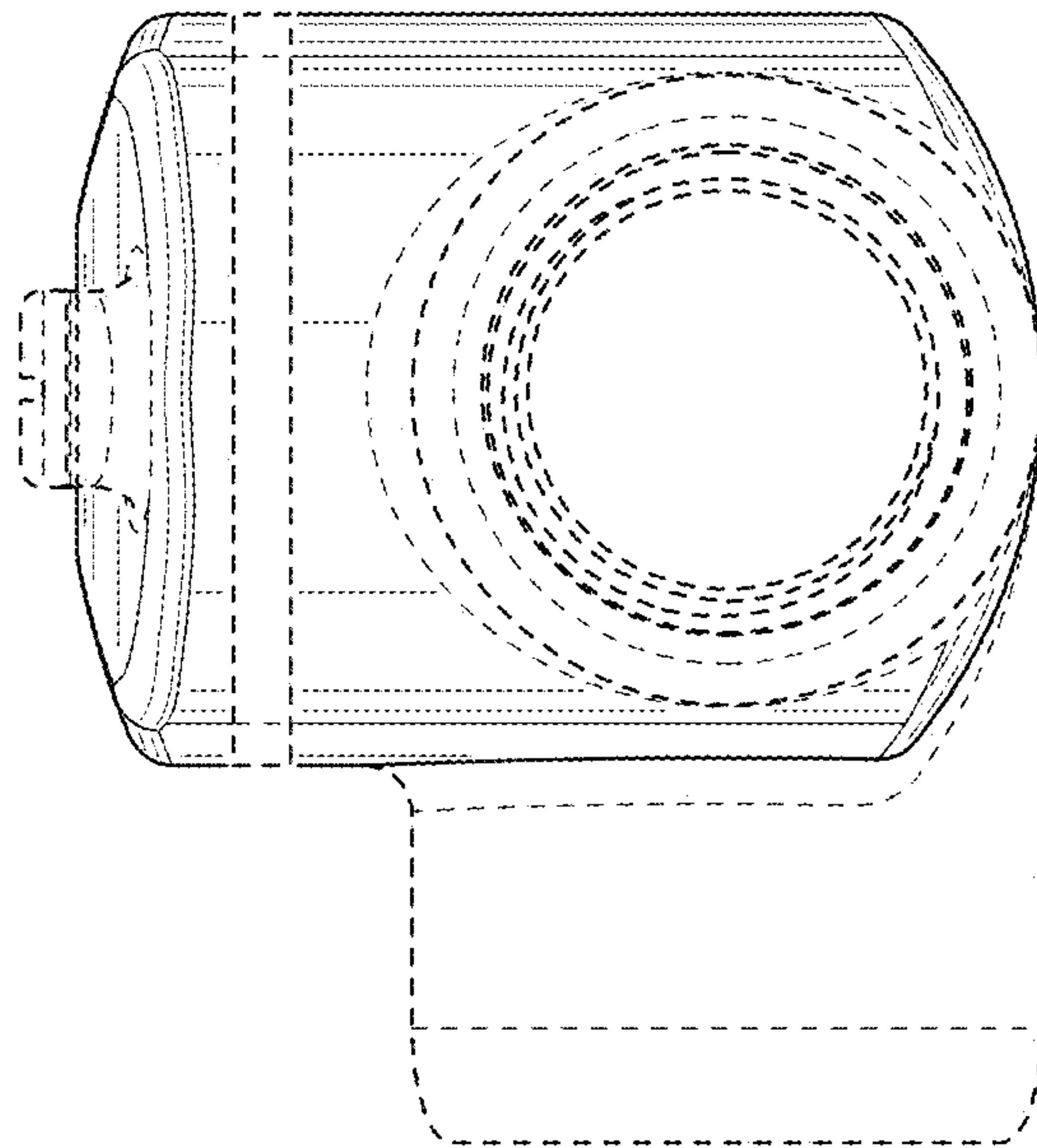


FIG. 37

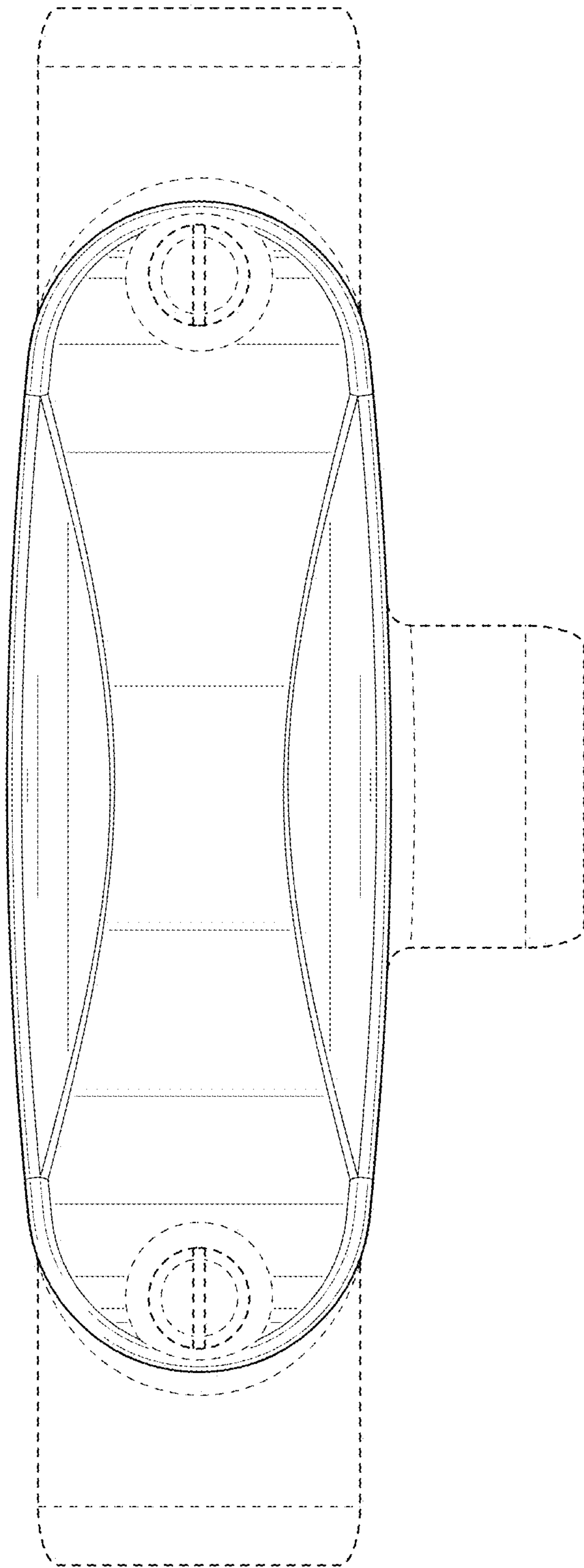


FIG. 39

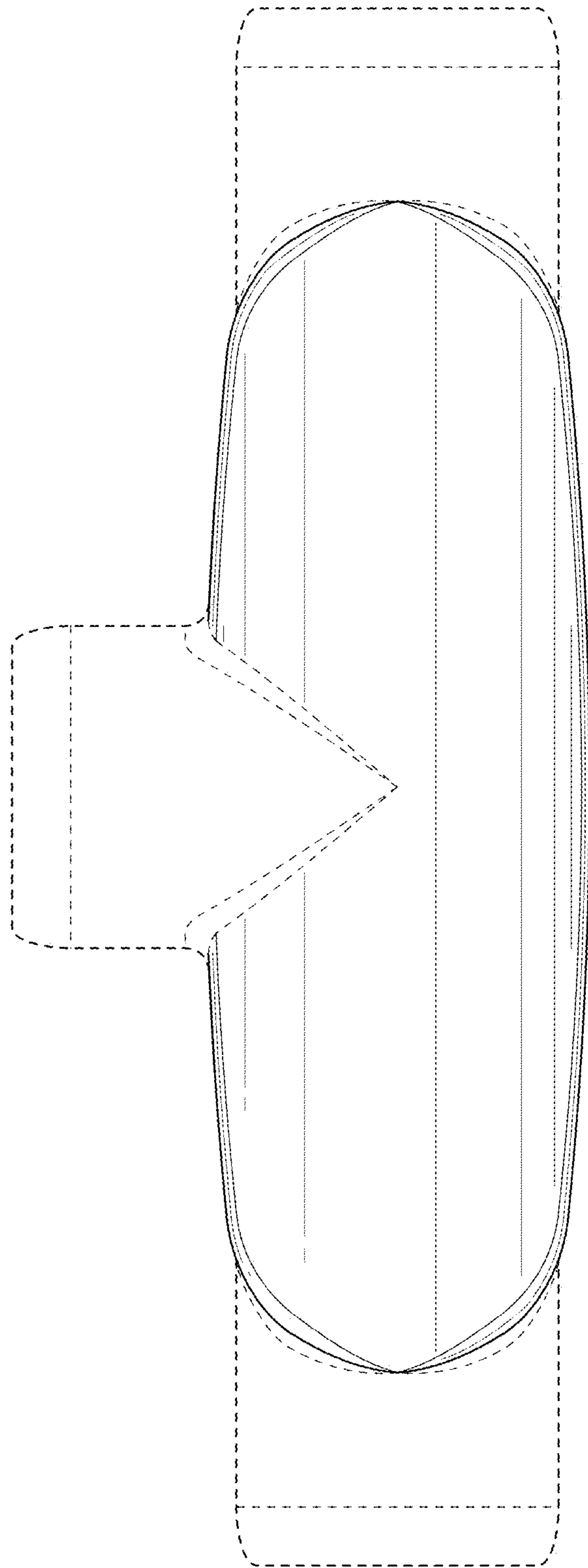


FIG. 40

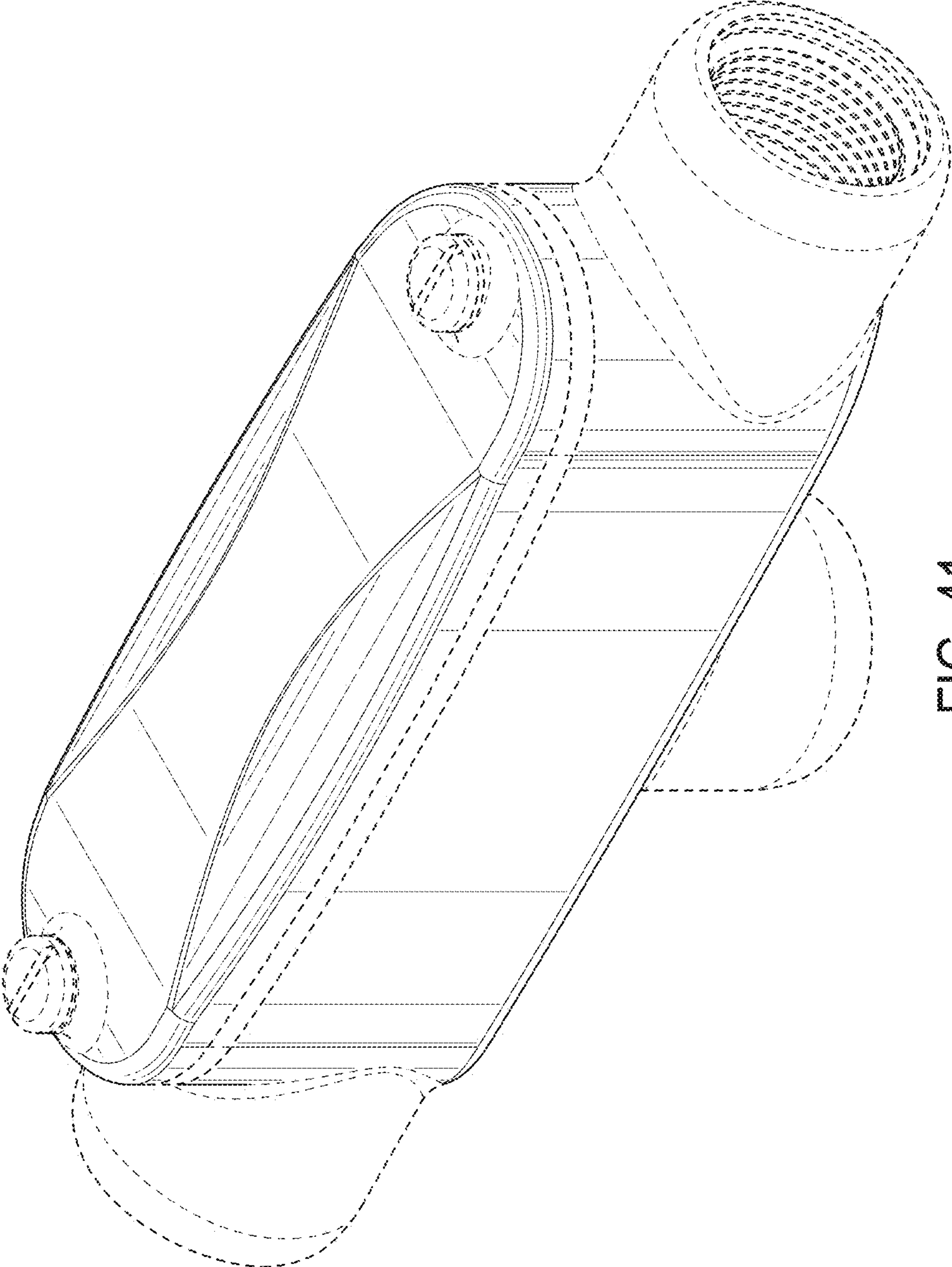


FIG. 41

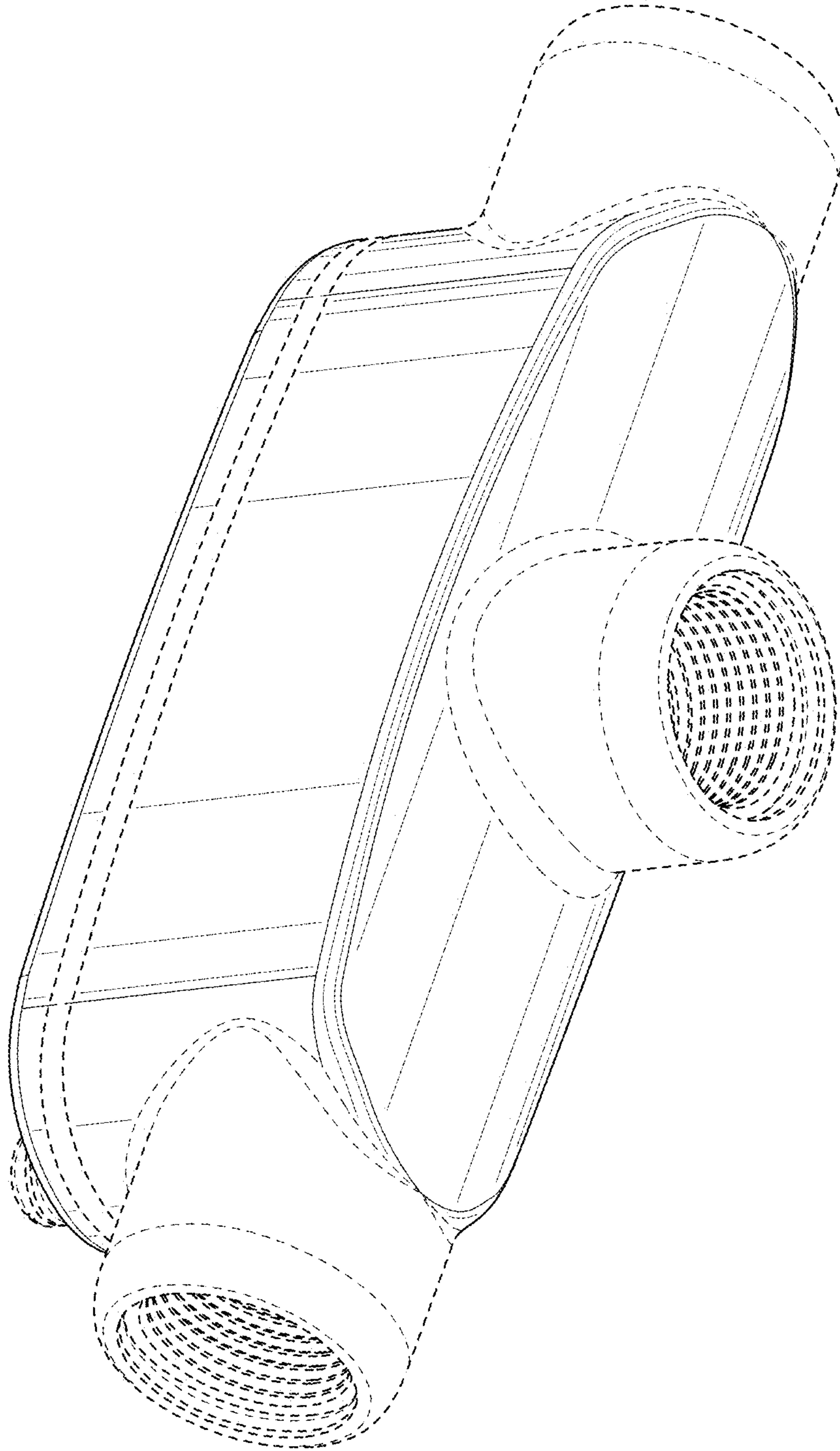


FIG. 42



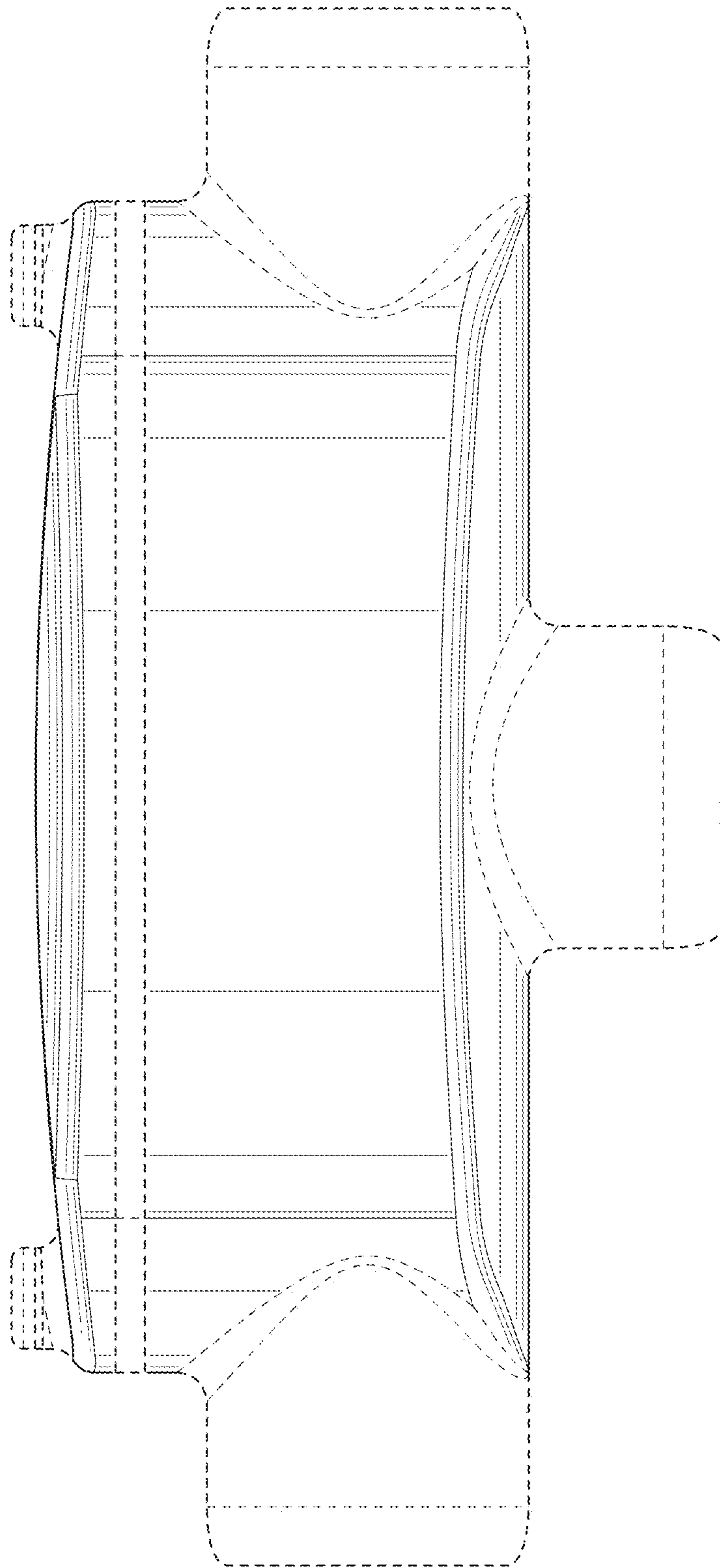


FIG. 43

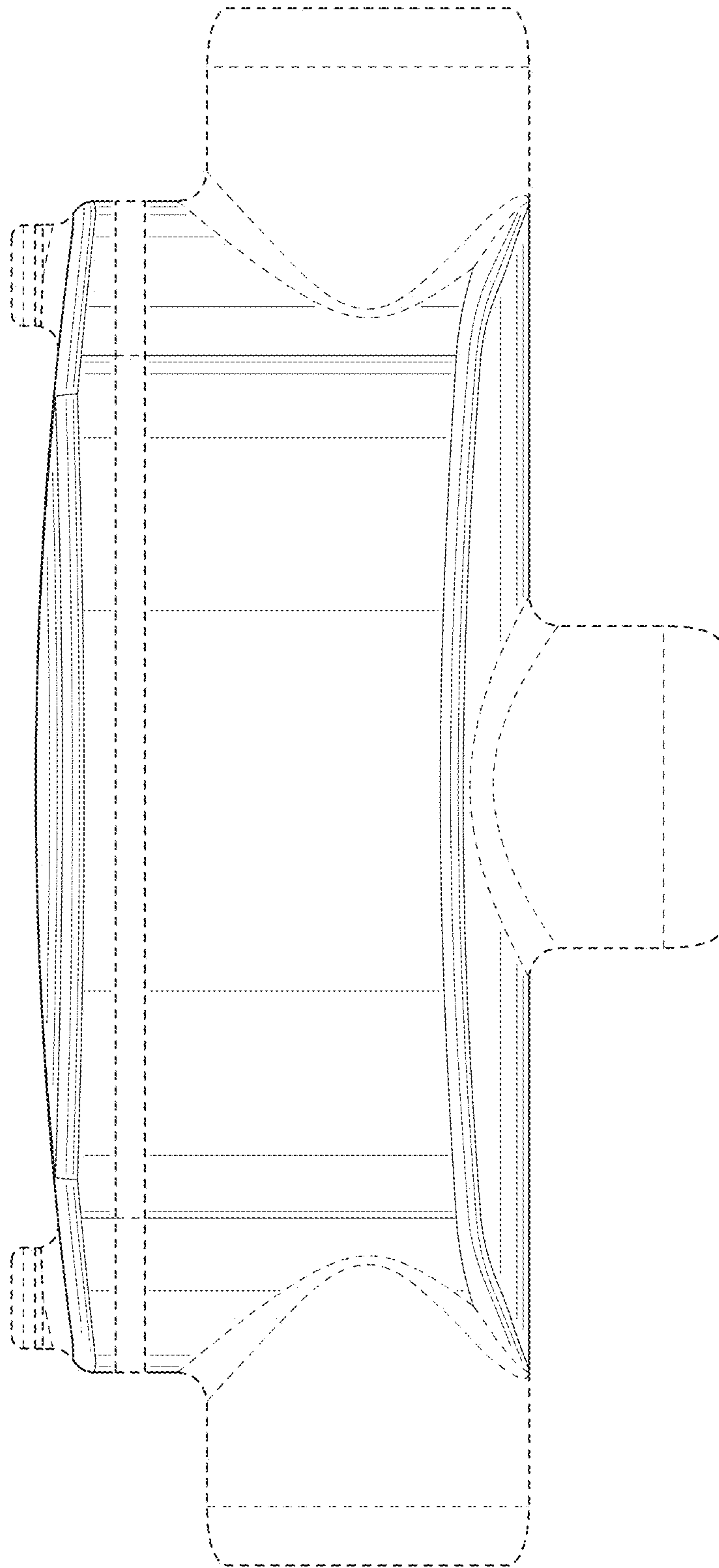


FIG. 44

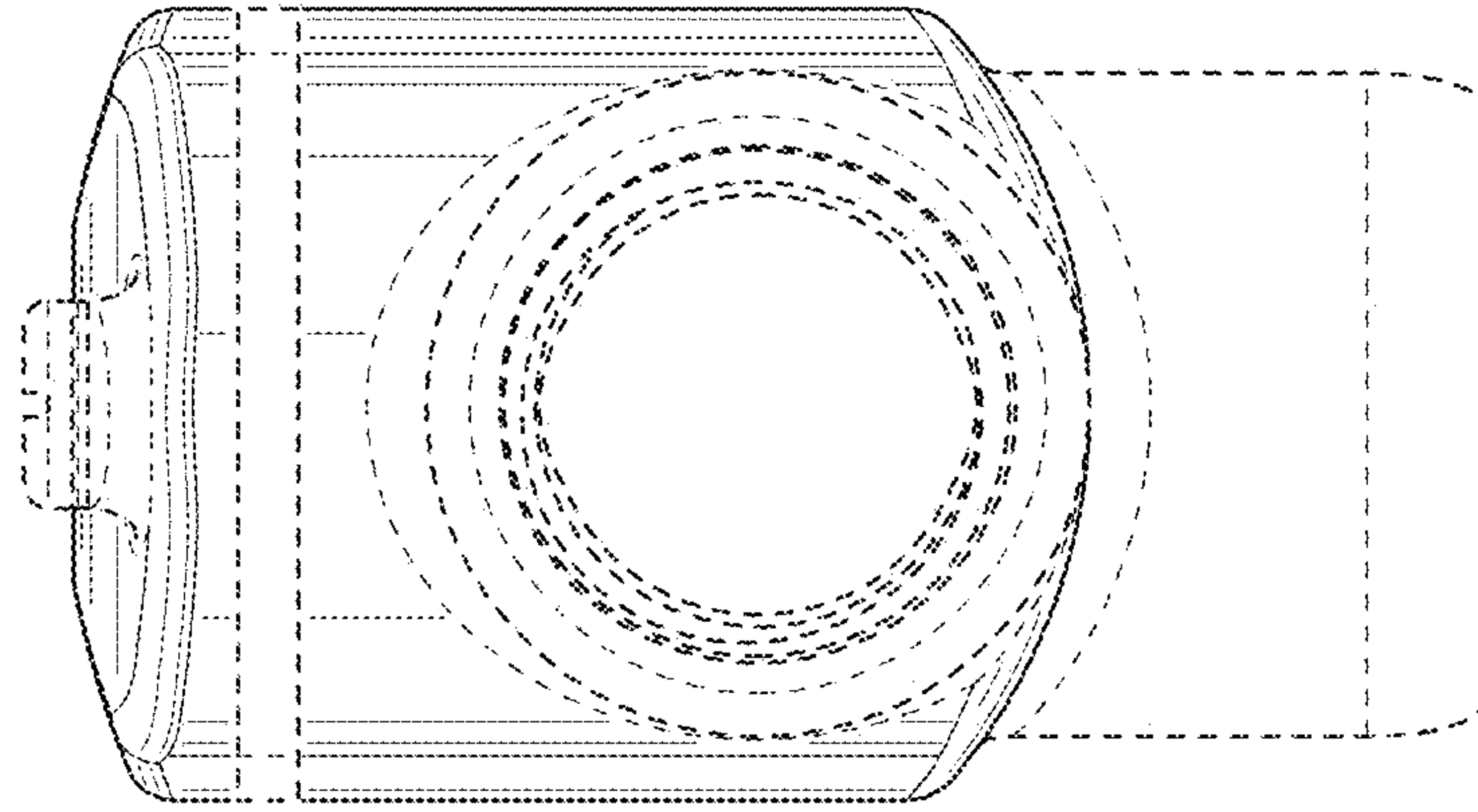


FIG. 45

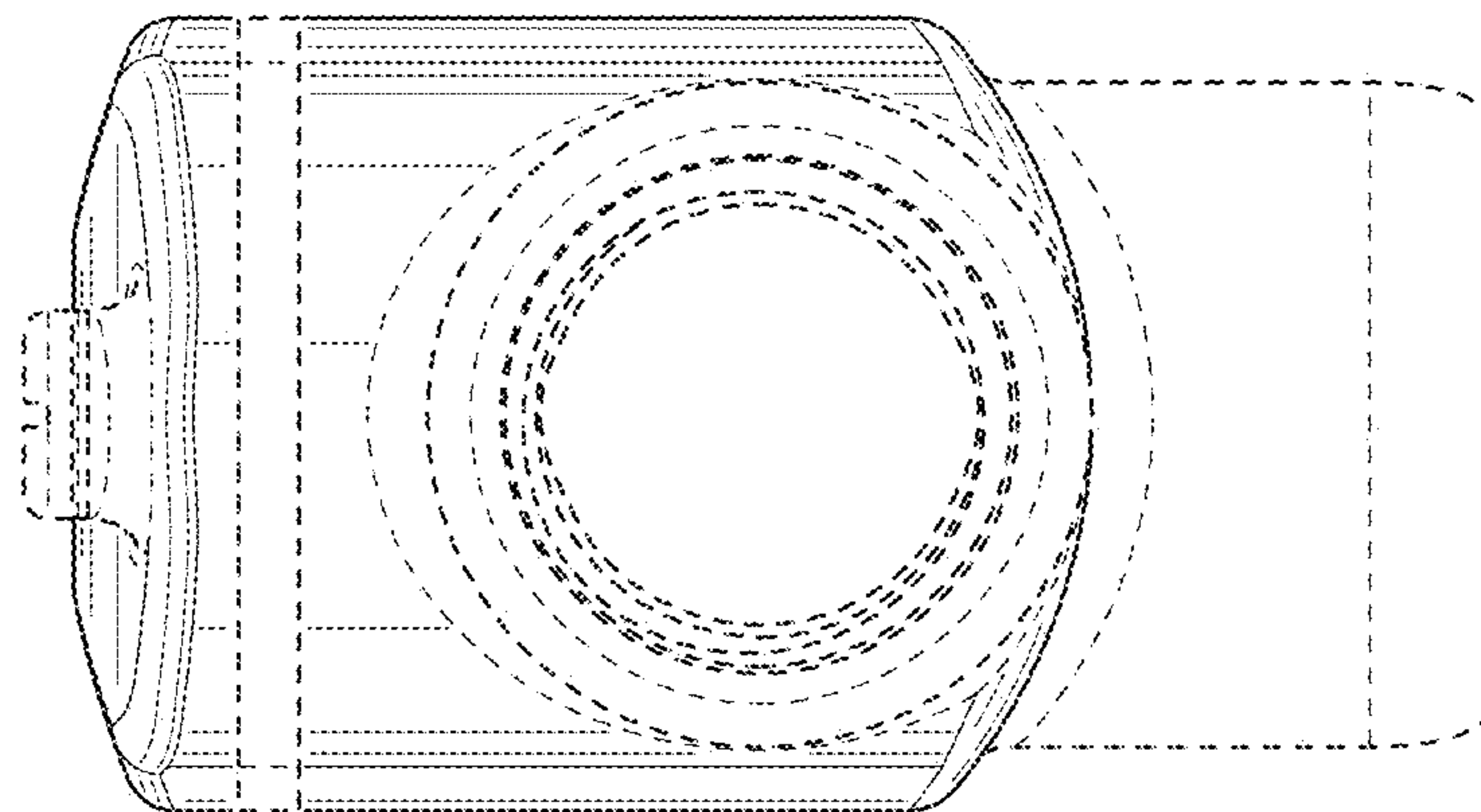


FIG. 46

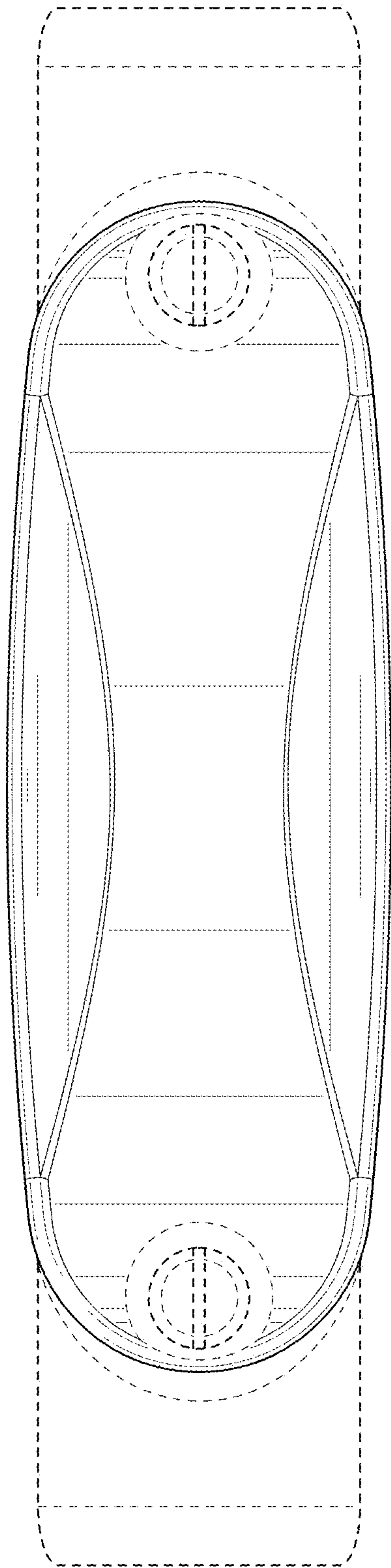


FIG. 47

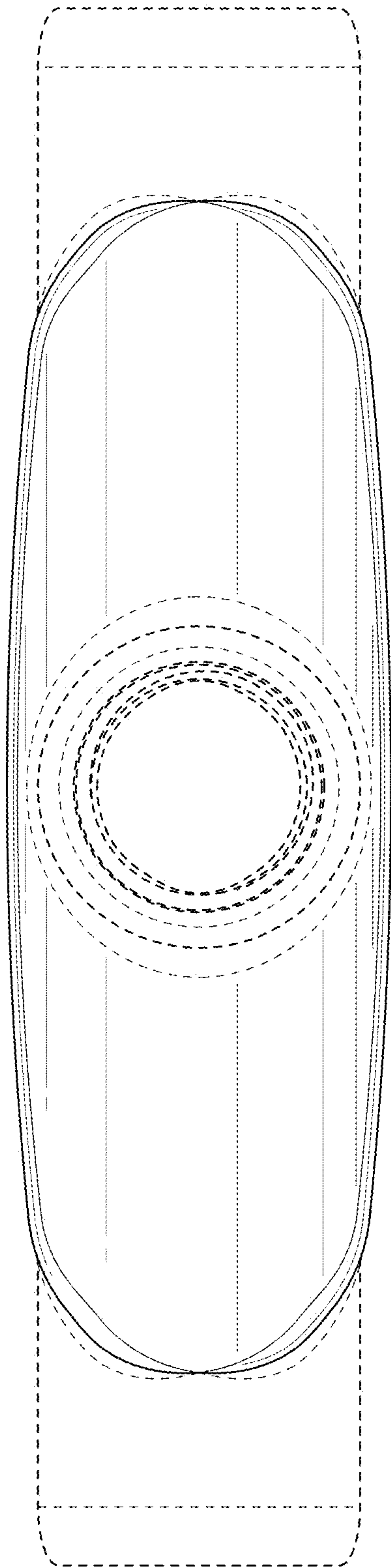


FIG. 48



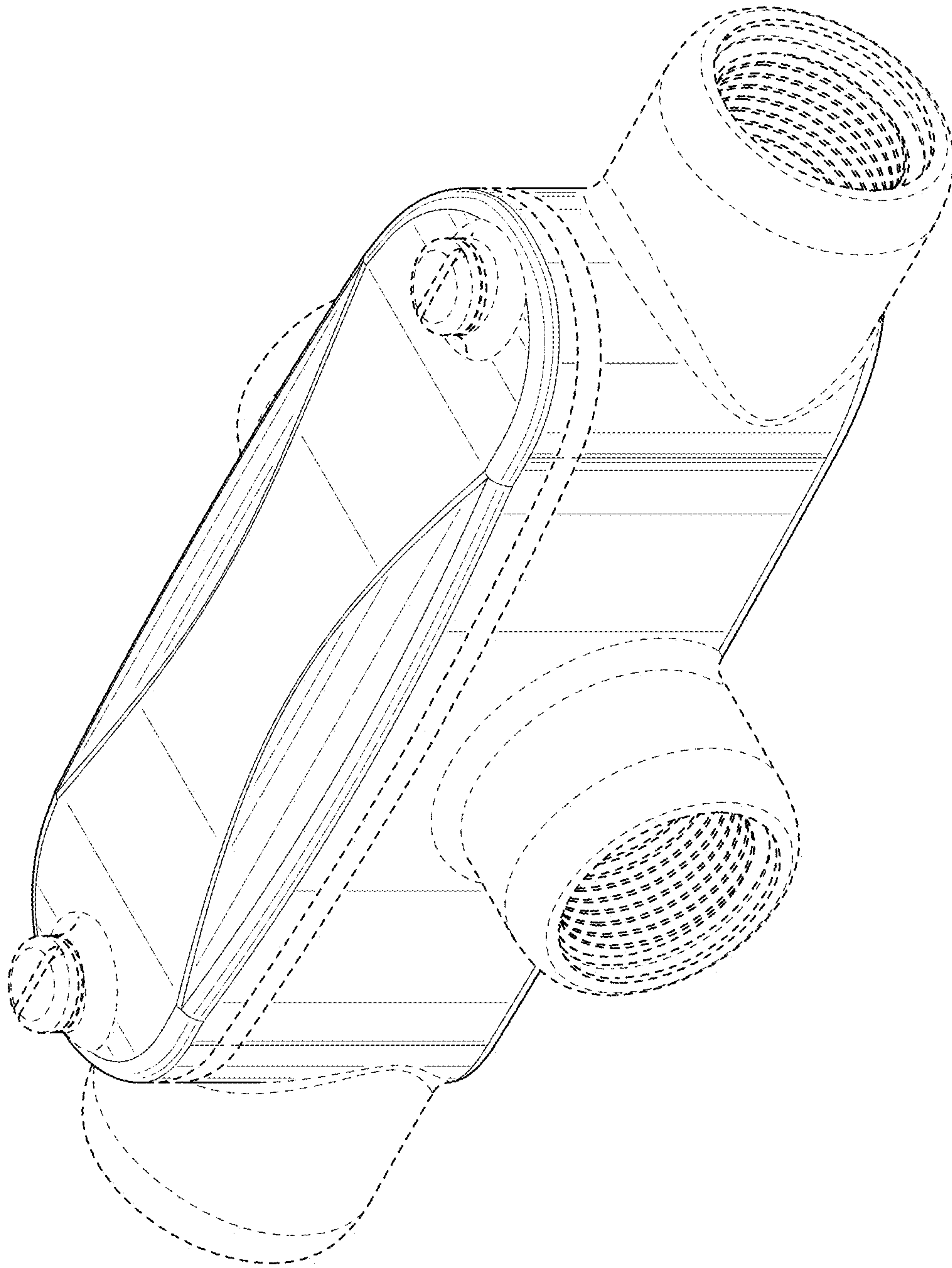


FIG. 49

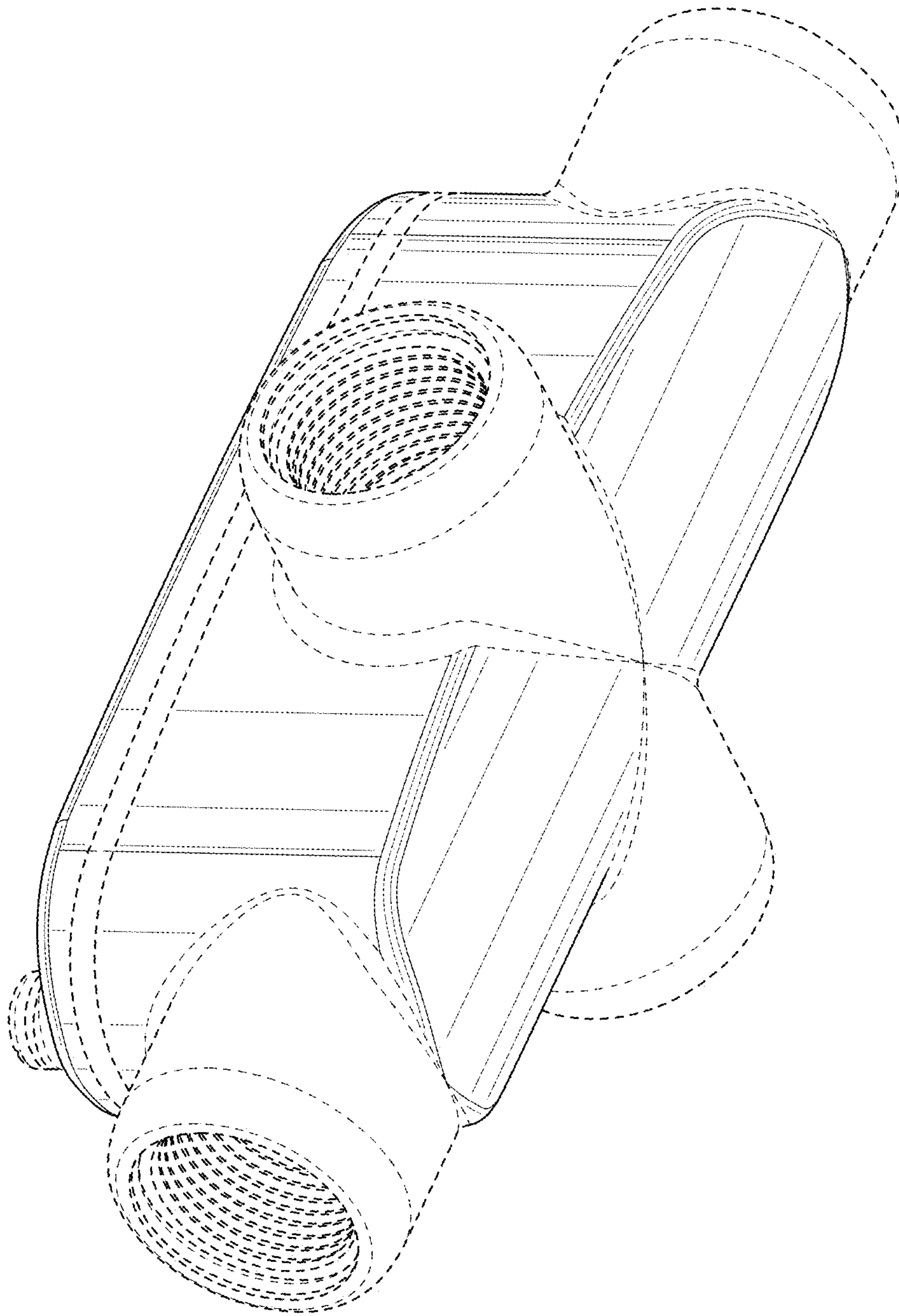


FIG. 50

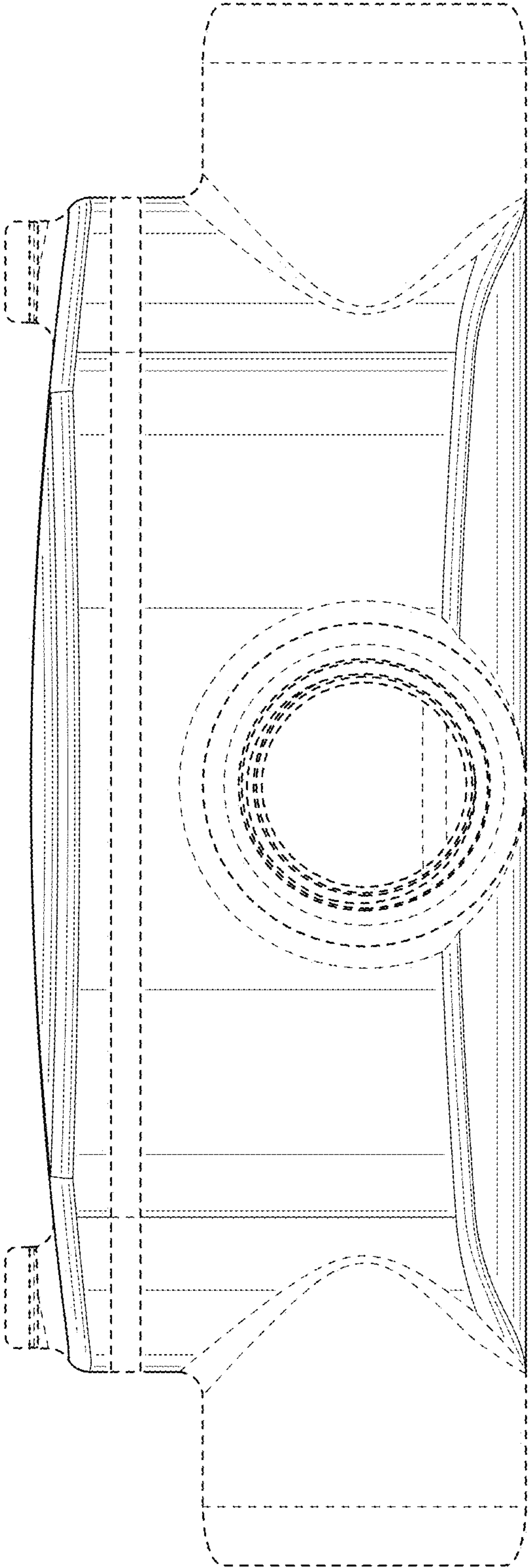


FIG. 51

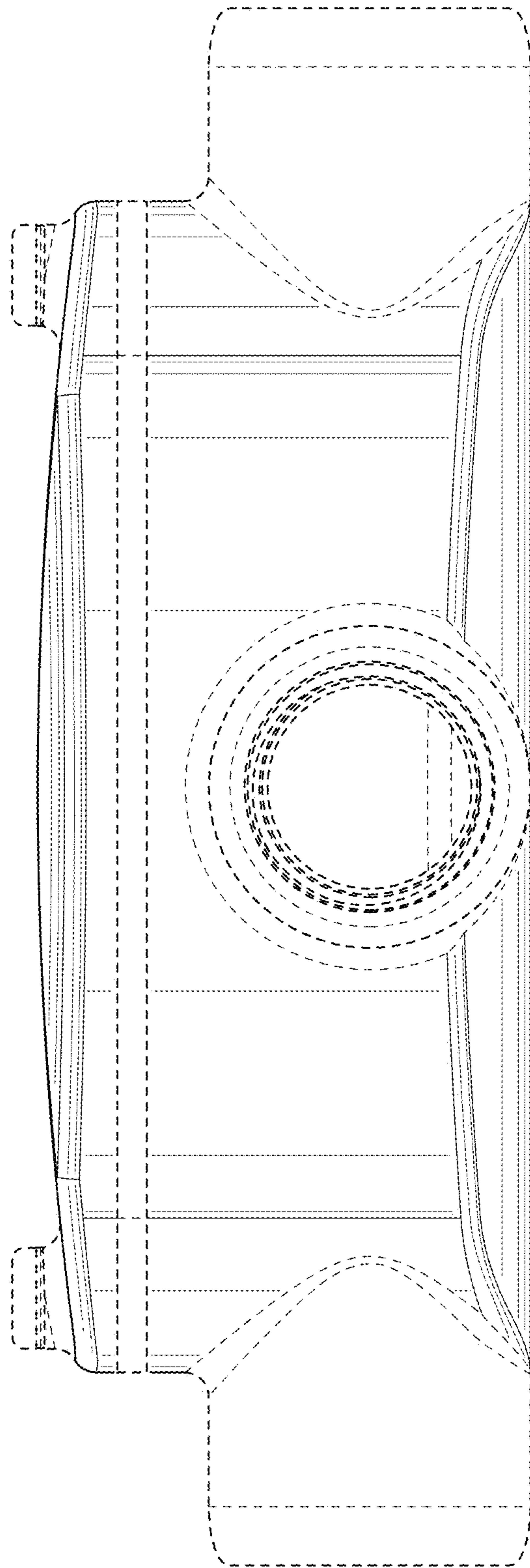


FIG. 52

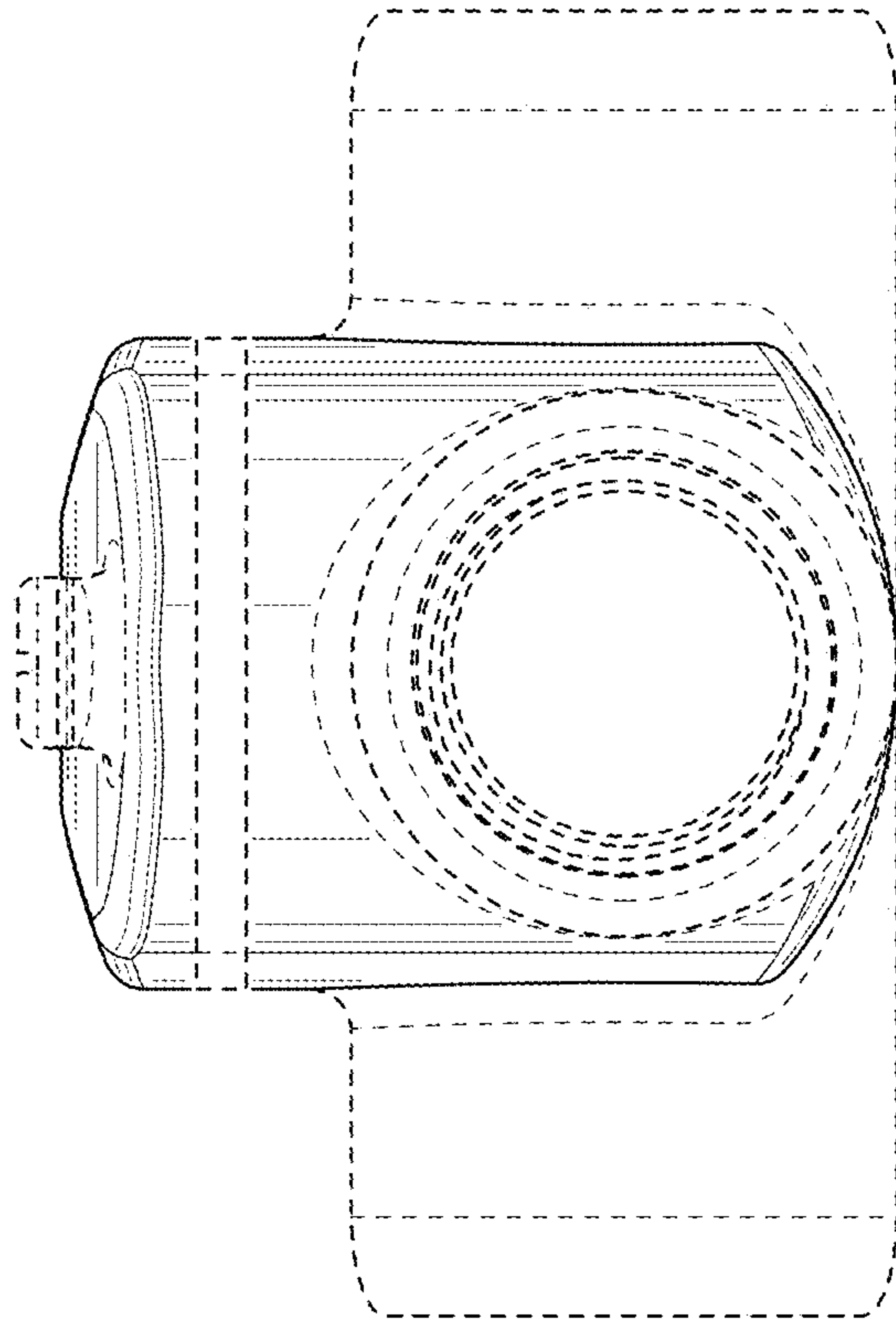


FIG. 54

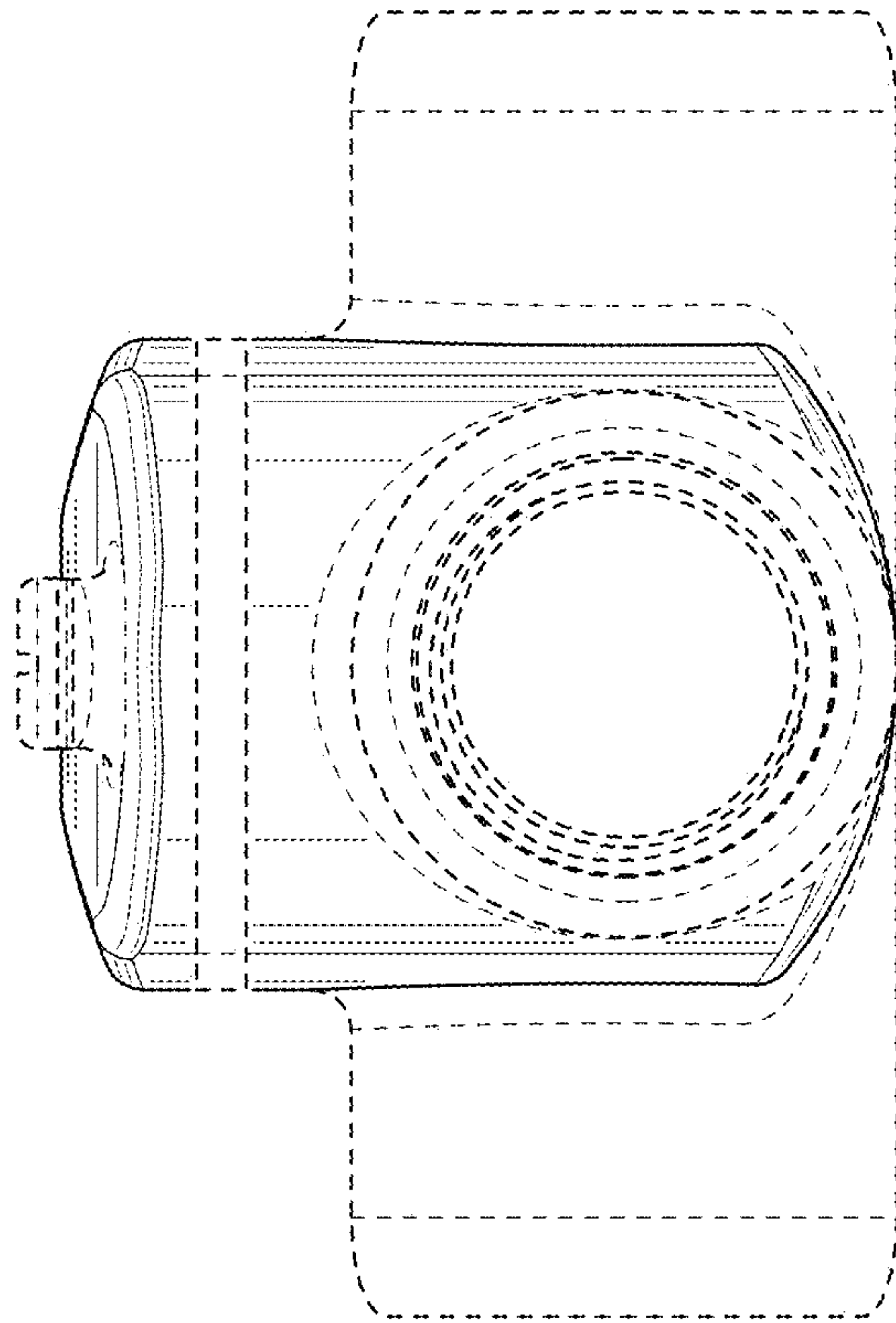


FIG. 53



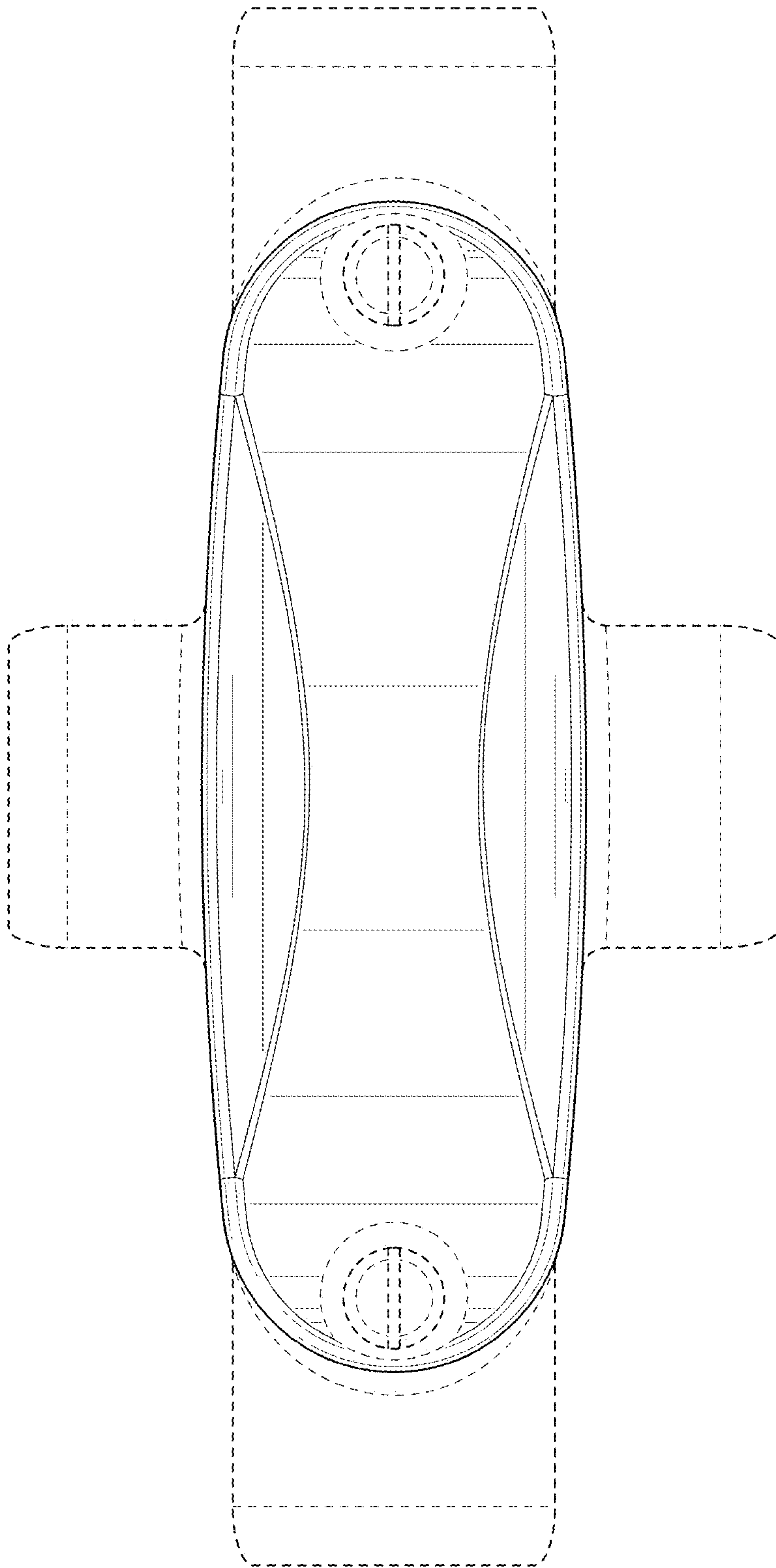


FIG. 55

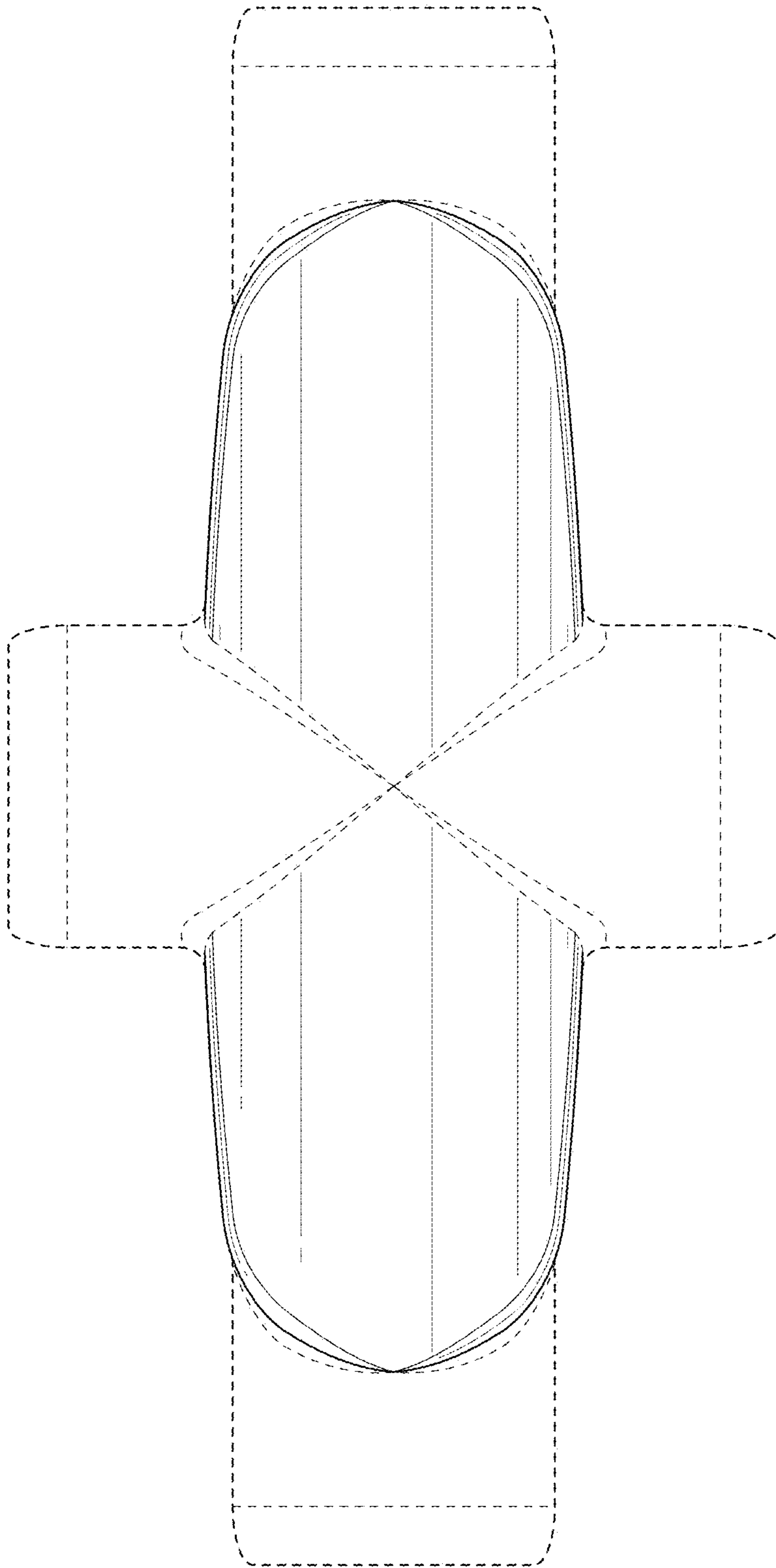


FIG. 56

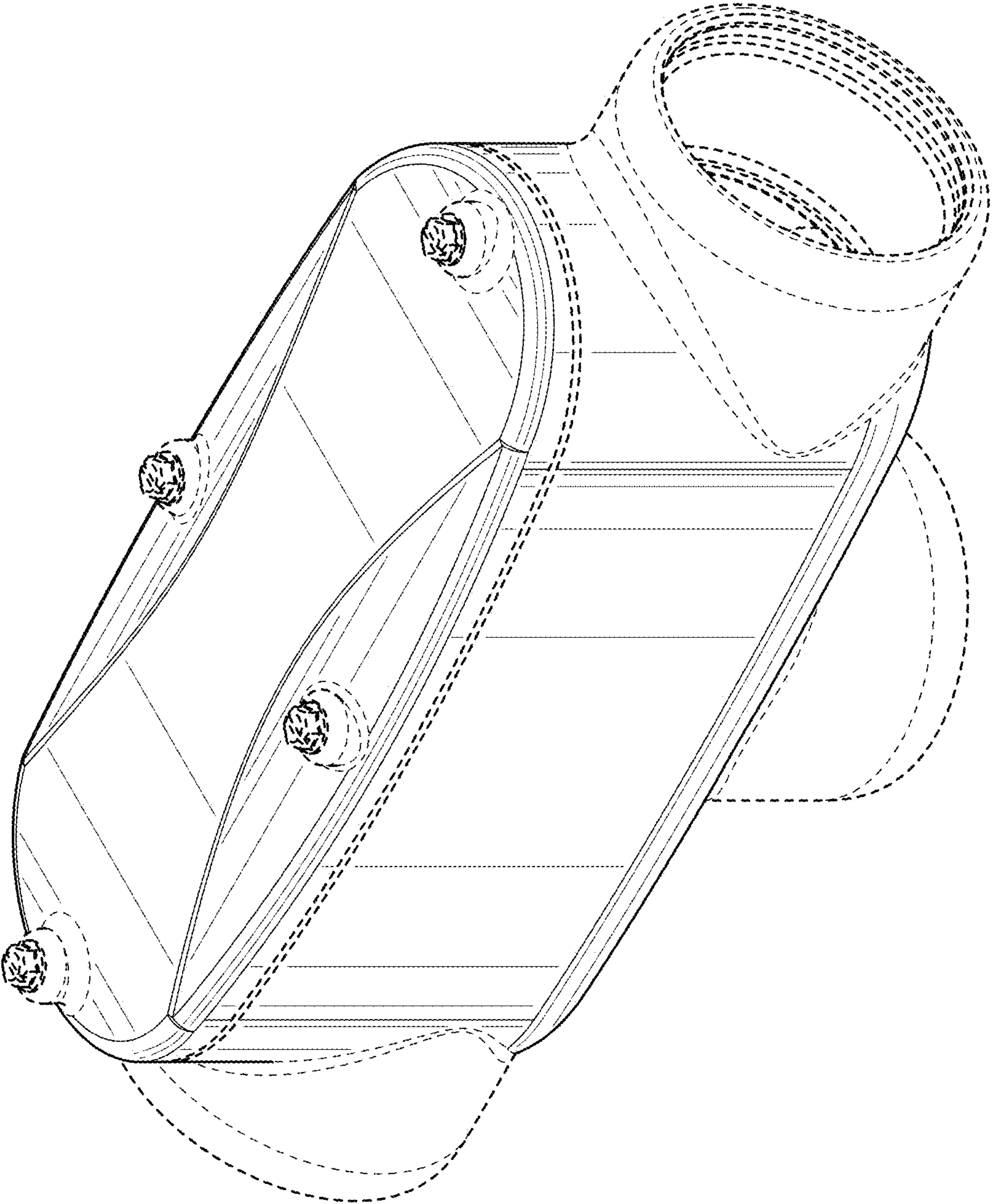


FIG. 57

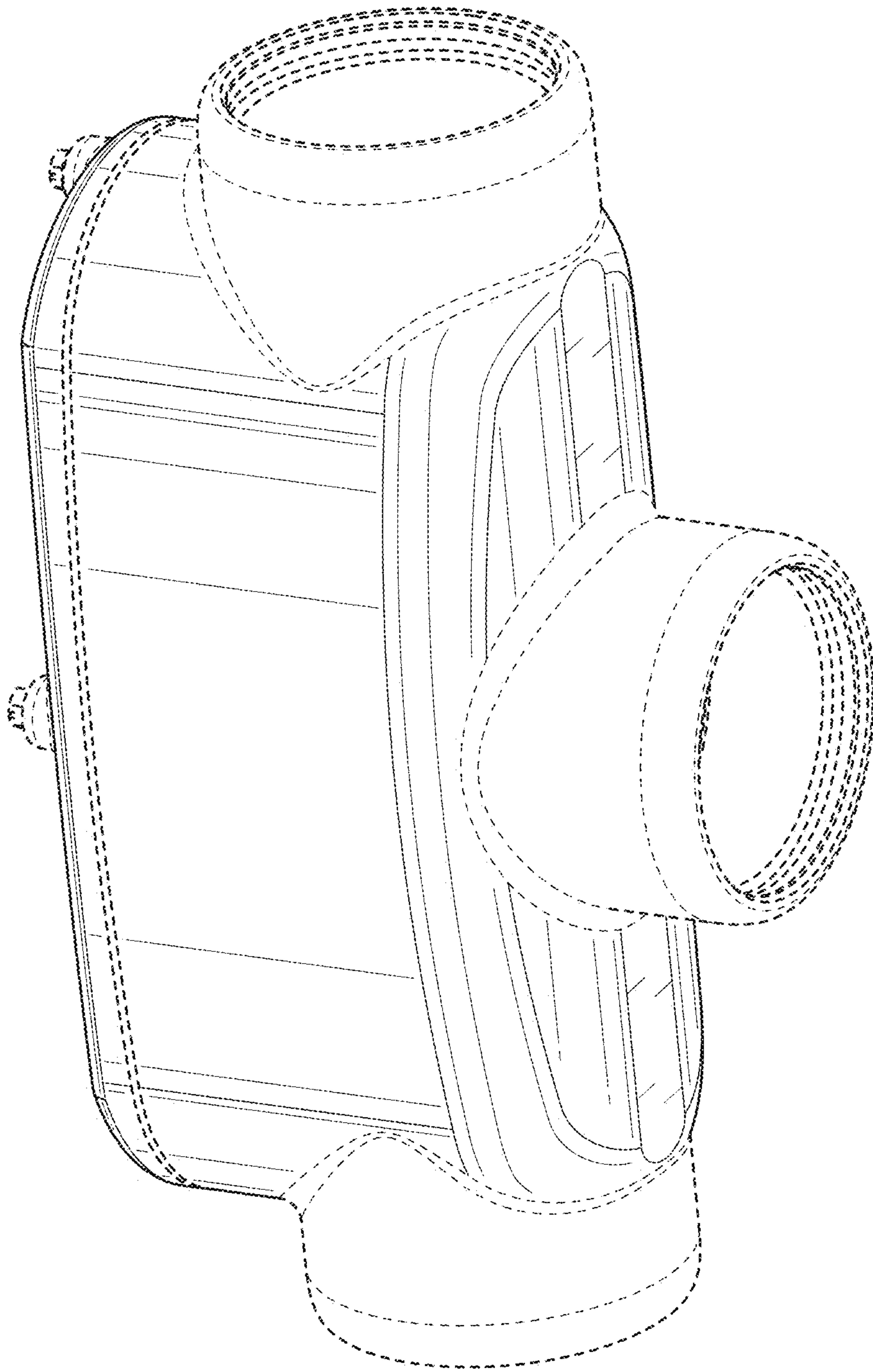


FIG. 58

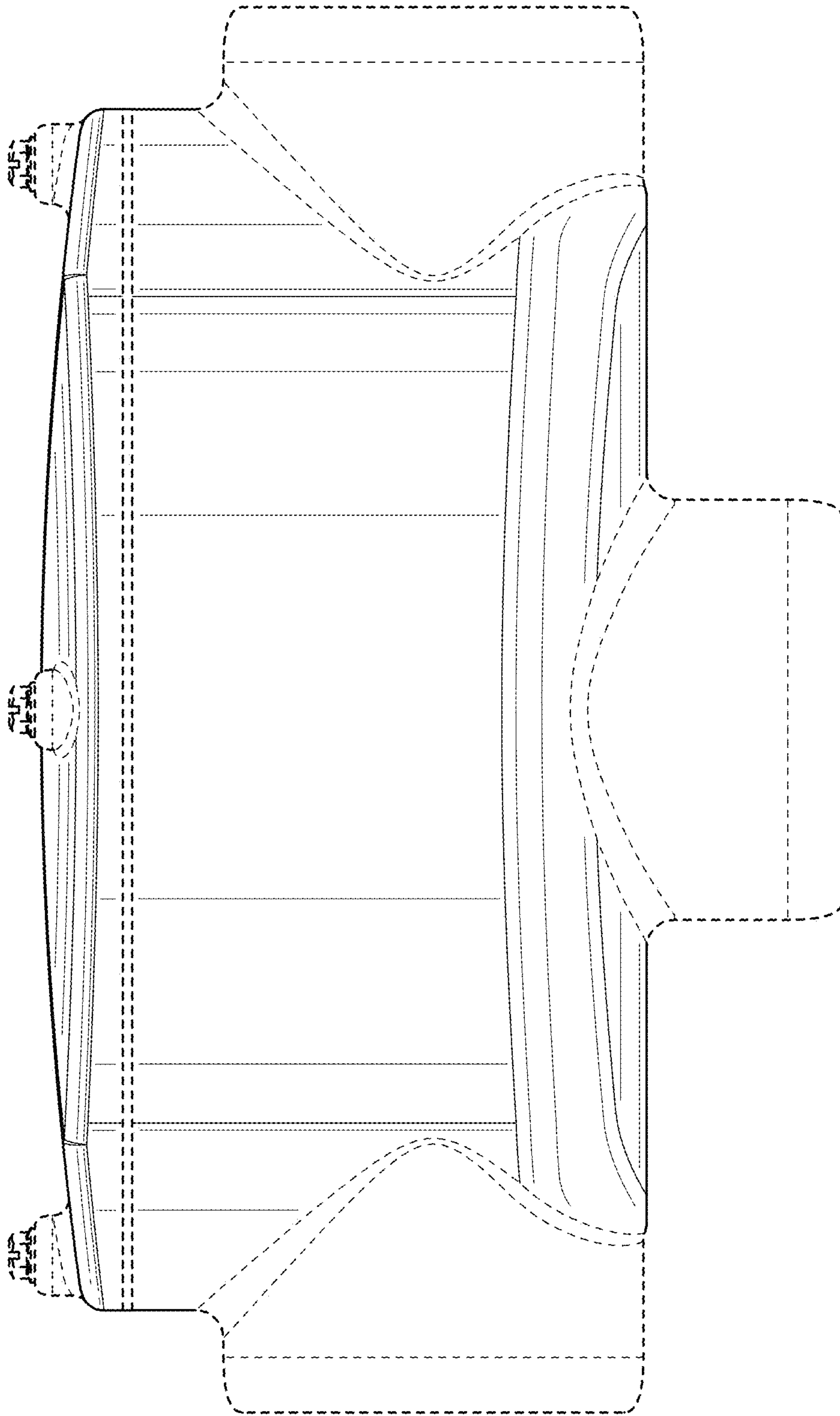


FIG. 59



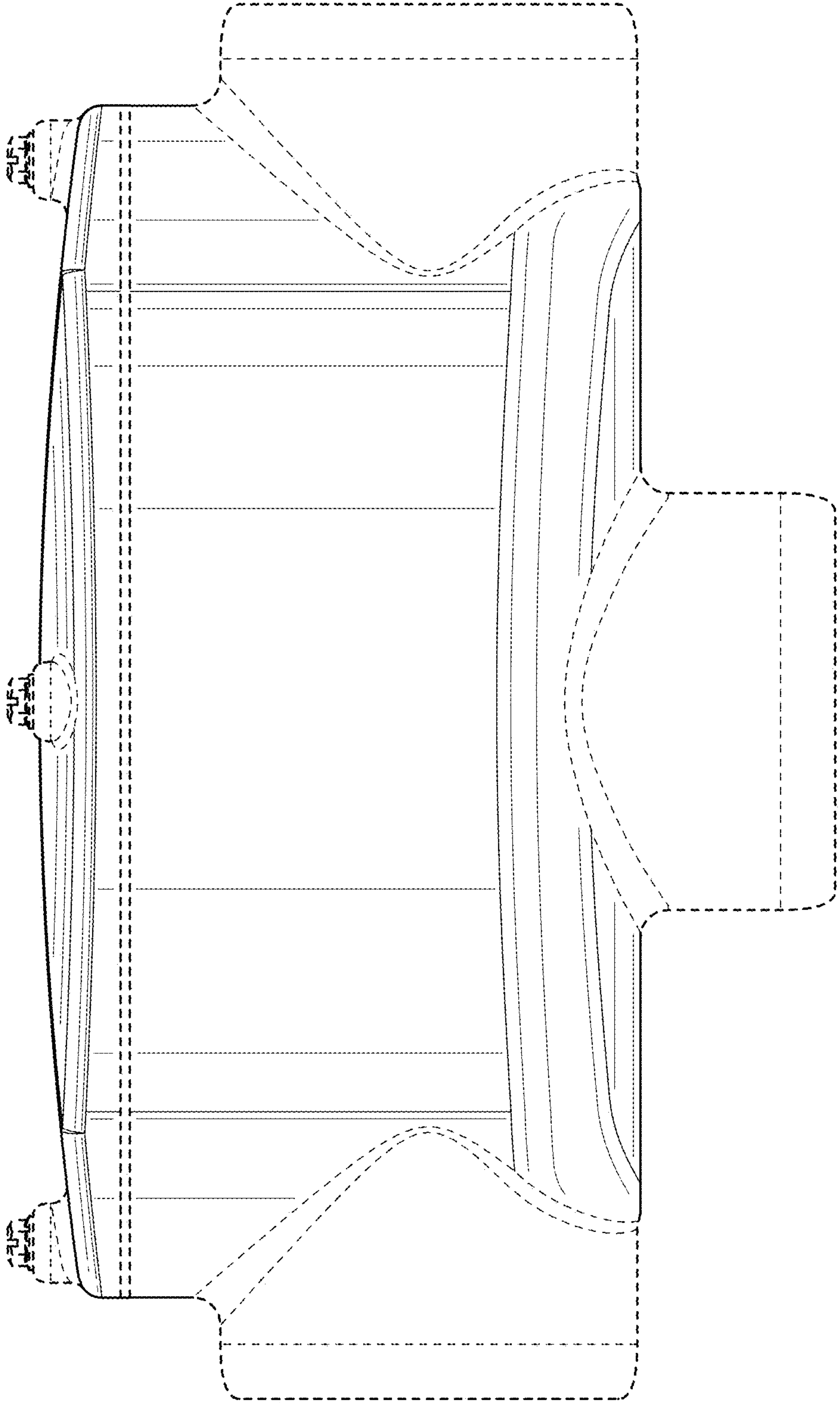


FIG. 60

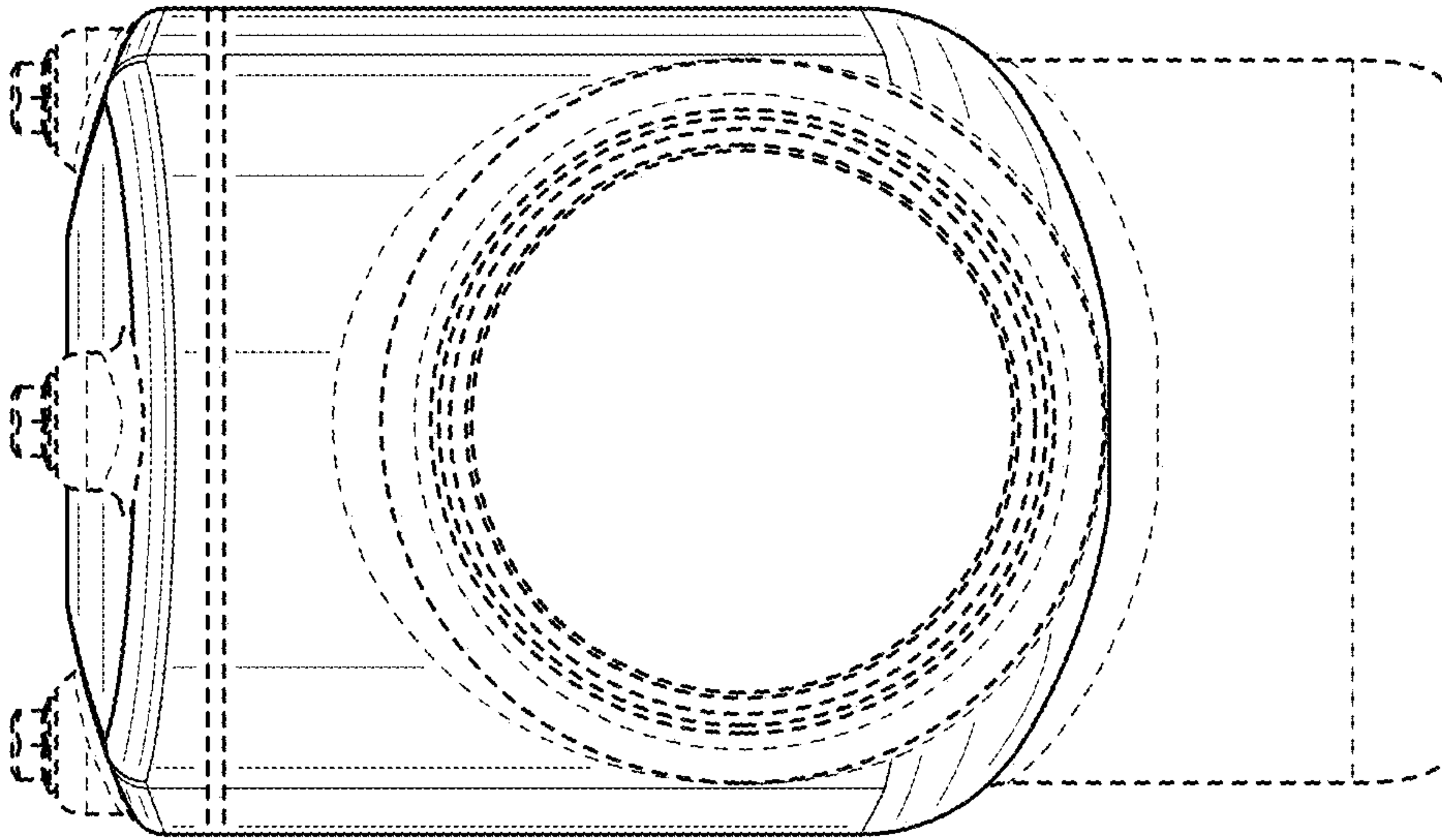


FIG. 62

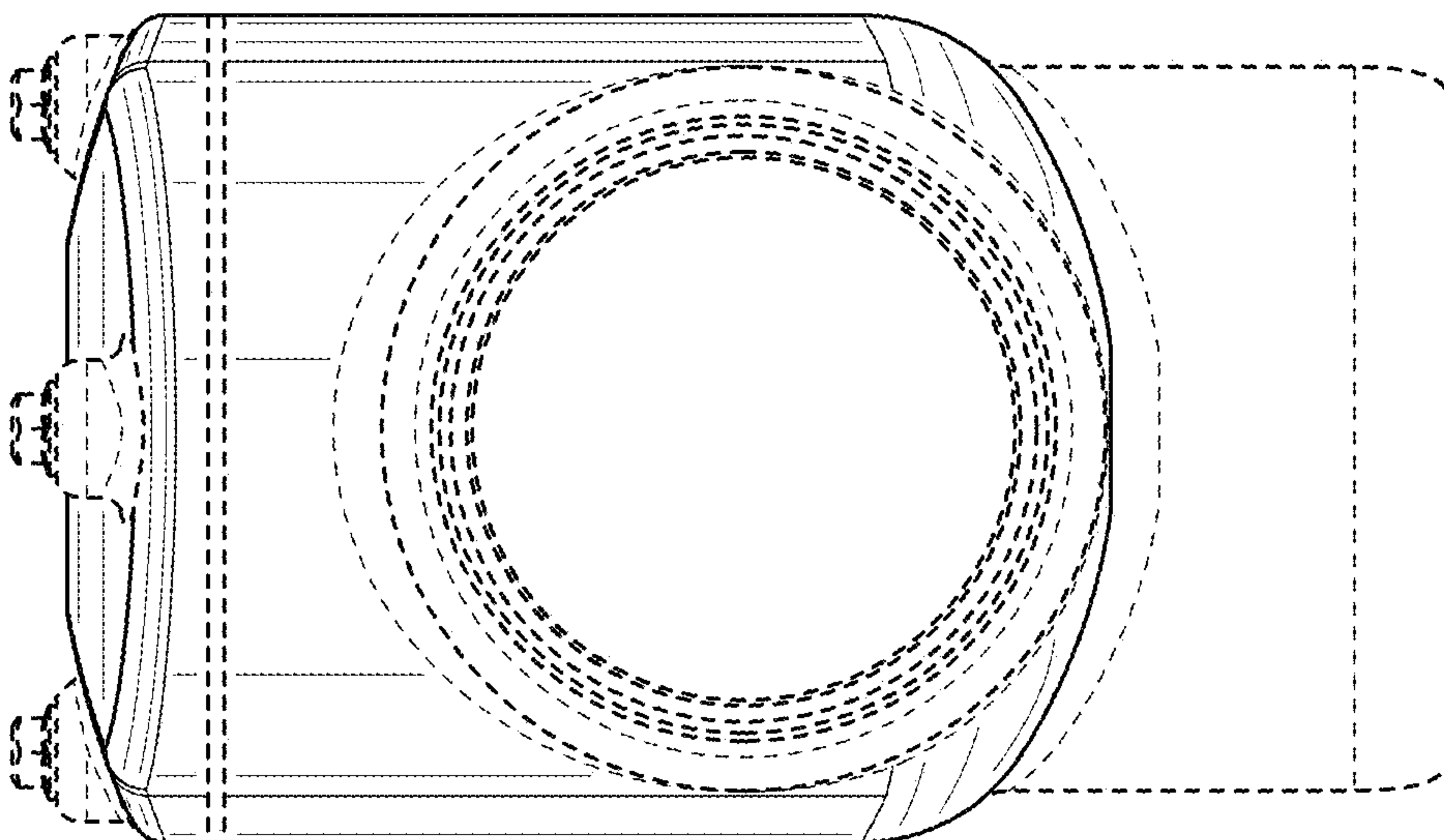


FIG. 61

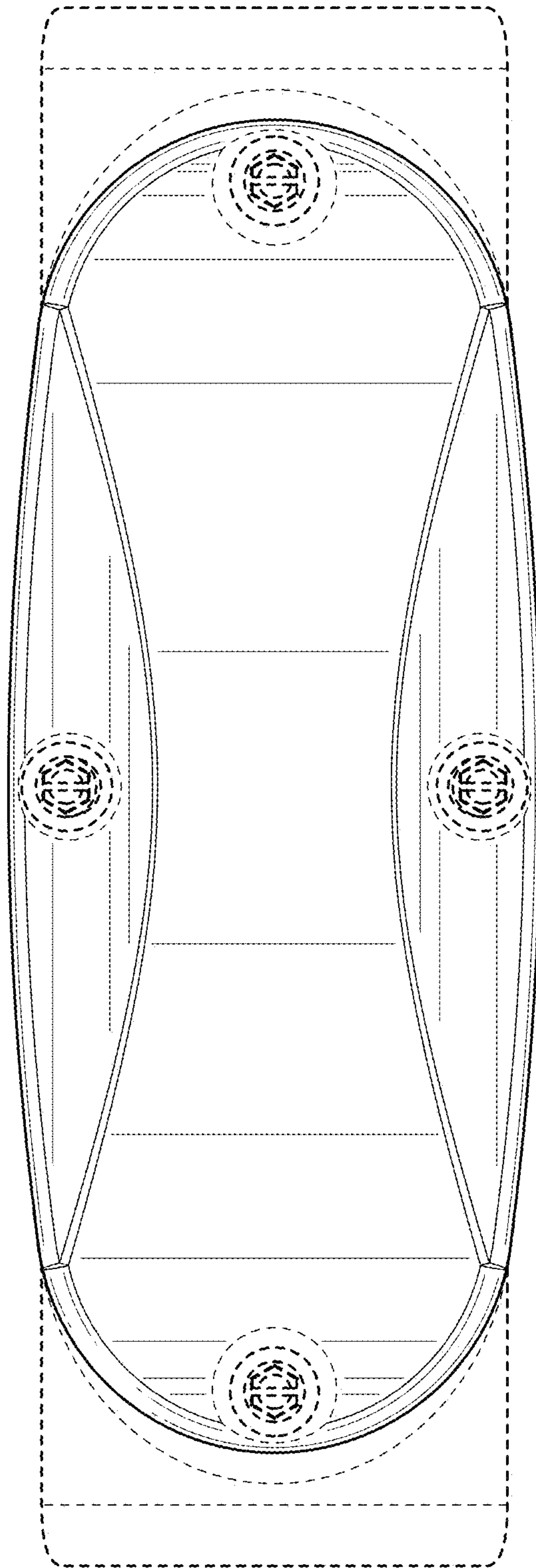


FIG. 63

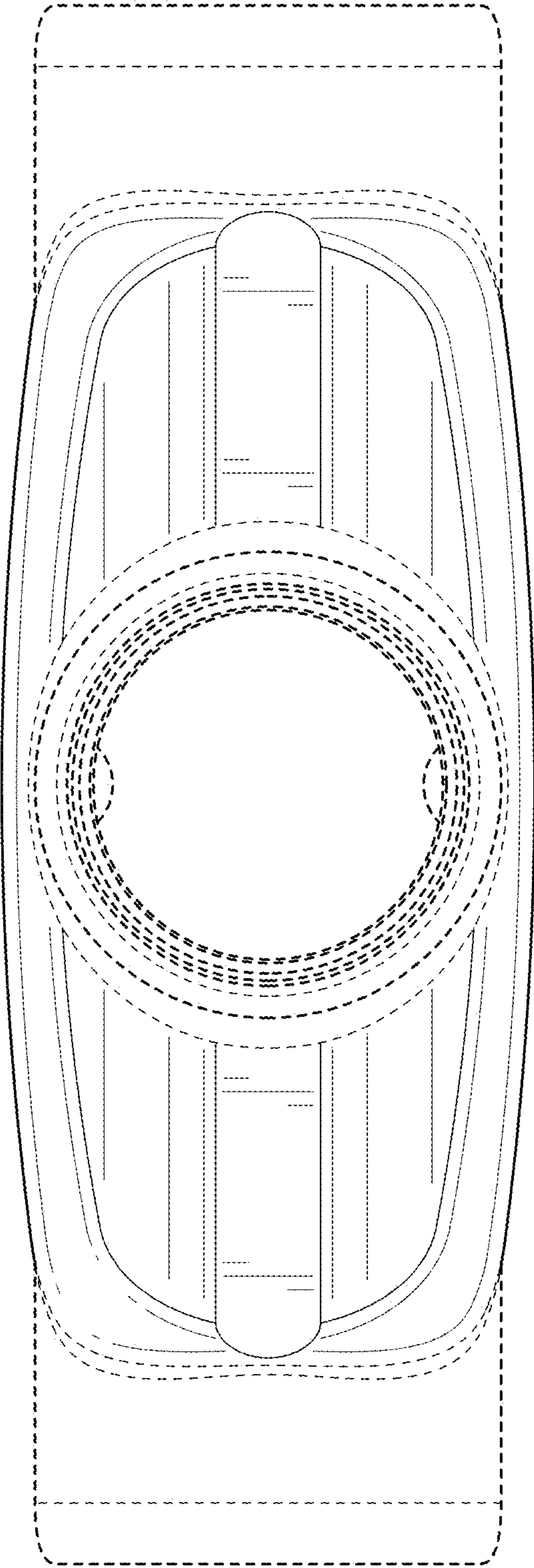


FIG. 64