



US00D913958S

(12) **United States Design Patent**  
**Holton**

(10) **Patent No.:** **US D913,958 S**

(45) **Date of Patent:** **\*\* Mar. 23, 2021**

- (54) **CONDUIT NIPPLE**
- (71) Applicant: **Tharp Patrick Holton**, Sulphur, LA (US)
- (72) Inventor: **Tharp Patrick Holton**, Sulphur, LA (US)
- (\*\*) Term: **15 Years**
- (21) Appl. No.: **29/663,516**
- (22) Filed: **Sep. 17, 2018**
- (51) **LOC (13) Cl.** ..... **13-03**
- (52) **U.S. Cl.**  
USPC ..... **D13/155**
- (58) **Field of Classification Search**  
USPC ..... D13/107, 110, 120, 133, 134, 146, 148, 149, 152, 155, 156, 157, 184, 199; D8/396, 356; D23/242; D24/129  
CPC ..... H01R 13/447; H01R 13/6277; H01R 2201/26; G02B 6/3887; G02B 6/4471; H02G 3/0616  
See application file for complete search history.

D503,333	S	*	3/2005	Ledingham	.....	D8/394
7,170,002	B2	*	1/2007	Thompson	.....	H02G 3/08 174/135
7,427,714	B1	*	9/2008	Lammens, Jr.	.....	H02G 3/088 174/53
D580,530	S	*	11/2008	McAlpine	.....	D23/268
D591,587	S	*	5/2009	Mason	.....	D8/354
D639,940	S	*	6/2011	Cushner	.....	D24/129
D681,159	S	*	4/2013	Ben-Horin	.....	D23/209
D727,471	S	*	4/2015	Corcoran	.....	D23/262
D754,303	S	*	4/2016	Smith	.....	D23/259
D771,569	S	*	11/2016	Smith	.....	D13/151
D821,550	S	*	6/2018	Ohkoshi	.....	D23/262
D843,952	S	*	3/2019	Smith	.....	D13/155
D852,152	S	*	6/2019	Lawrence	.....	D13/184
D856,125	S	*	8/2019	Milner	.....	D8/396
D865,692	S	*	11/2019	Lawrence	.....	D13/184
D884,641	S	*	5/2020	Loidl	.....	D13/133

\* cited by examiner

*Primary Examiner* — Jennifer O King  
(74) *Attorney, Agent, or Firm* — Allen, Dyer, Doppelt + Gilchrist, PA

(57) **CLAIM**

The ornamental design for a conduit nipple, as shown and described.

**DESCRIPTION**

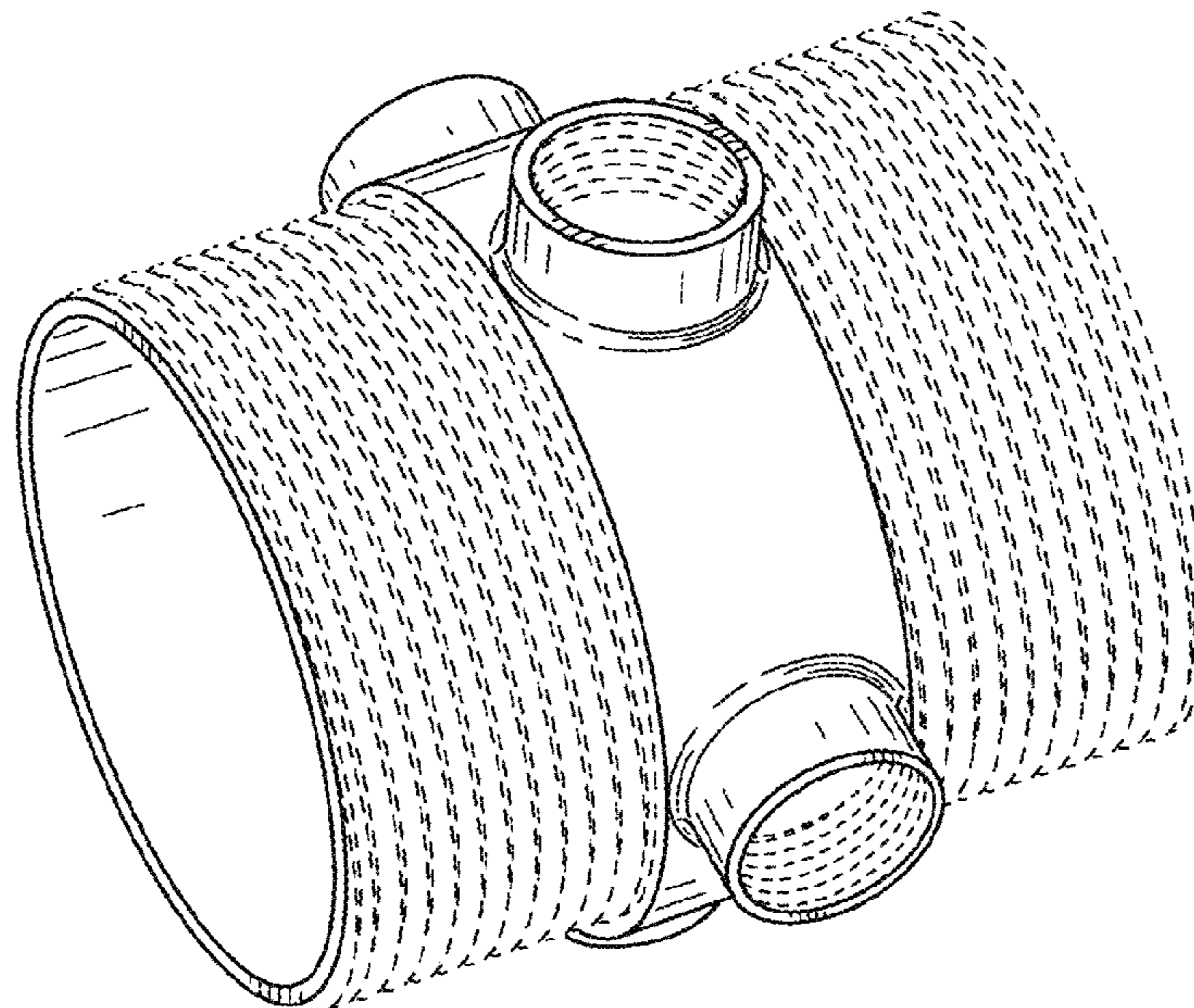
FIG. 1 is a perspective side view thereof; FIG. 2 is a right-side view thereof; FIG. 3 is a left-side view thereof; FIG. 4 is a top view thereof; FIG. 5 is a bottom view thereof; FIG. 6 is a front view thereof; and, FIG. 7 is a back view thereof. The broken lines shown represent portions of the conduit nipple that form no part of the claimed design.

**1 Claim, 4 Drawing Sheets**

(56) **References Cited**

U.S. PATENT DOCUMENTS

1,440,389	A	*	1/1923	Jones	.....	H02G 3/0616 220/3.8
1,456,792	A	*	5/1923	Franke	.....	H02G 3/0616 220/3.8
1,717,389	A	*	6/1929	Kipnis	.....	H02G 3/0616 285/207
1,821,533	A	*	9/1931	Volk, Jr.	.....	H02G 3/0616 220/3.2
3,533,650	A	*	10/1970	Smith	.....	F16B 2/08 285/197
D424,193	S	*	5/2000	Wohltmann, Jr.	.....	D24/110.6
6,521,833	B1	*	2/2003	DeFreitas	.....	F16L 25/0045 174/50



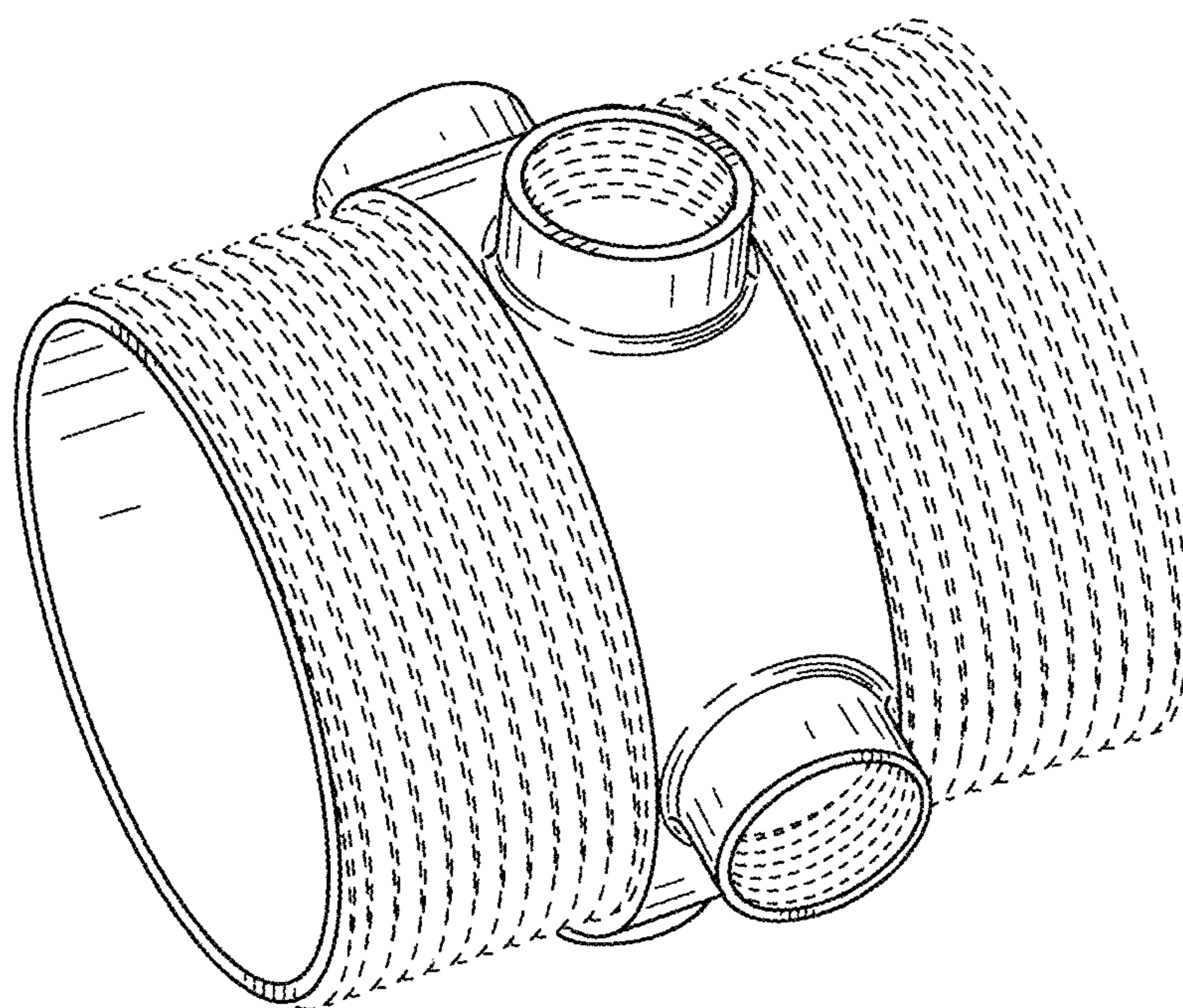


FIG. 1

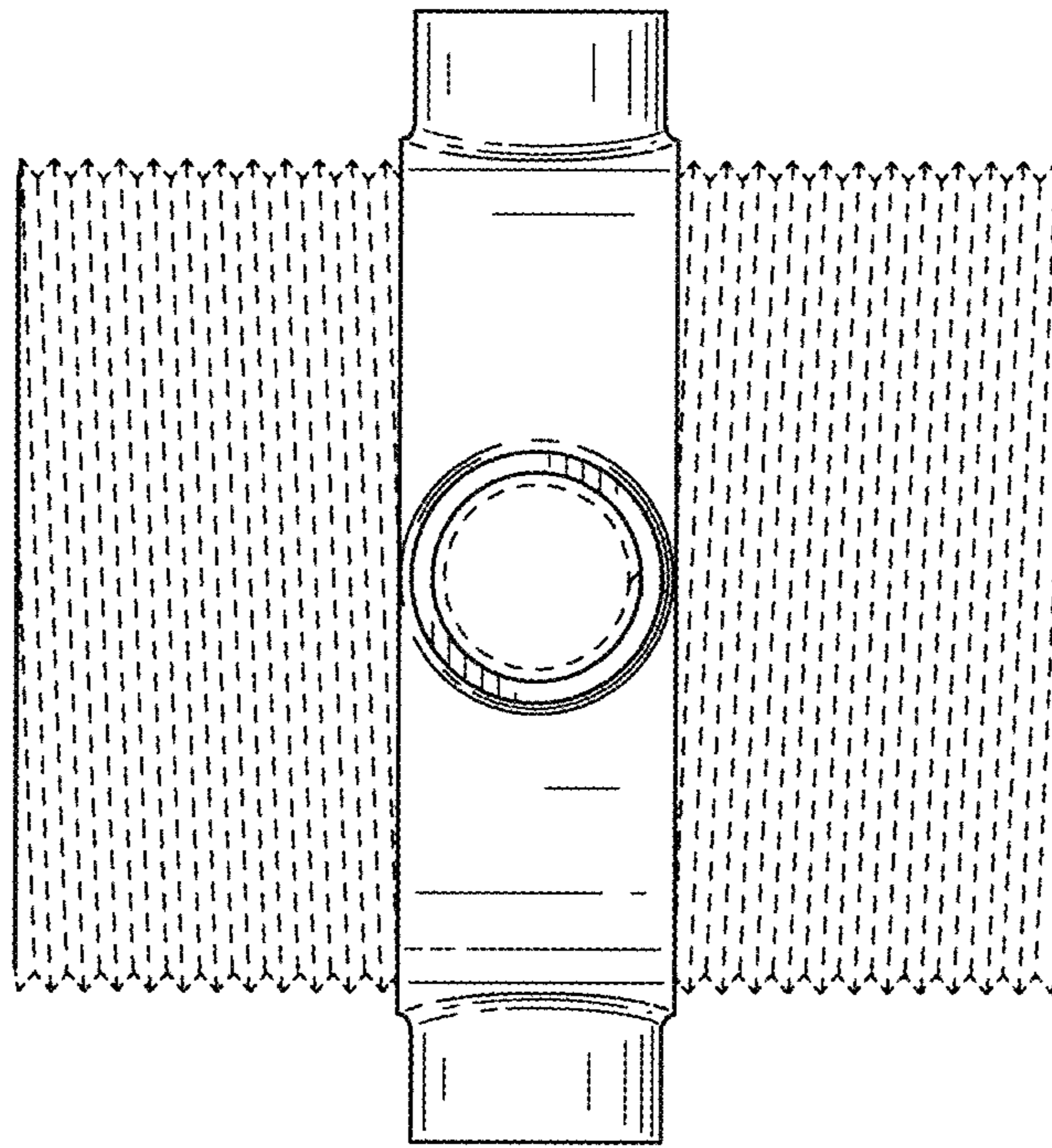


FIG. 2

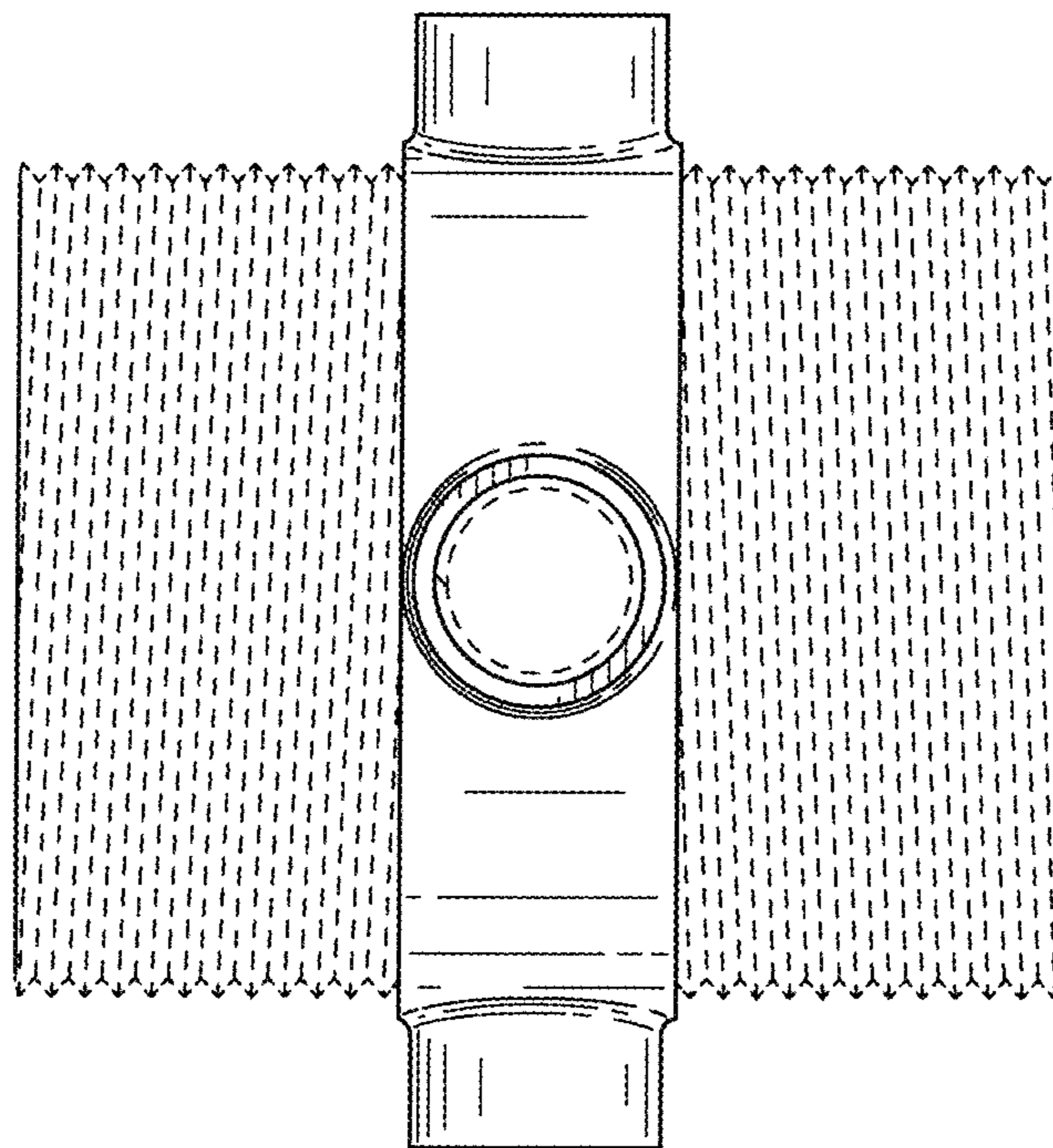


FIG. 3



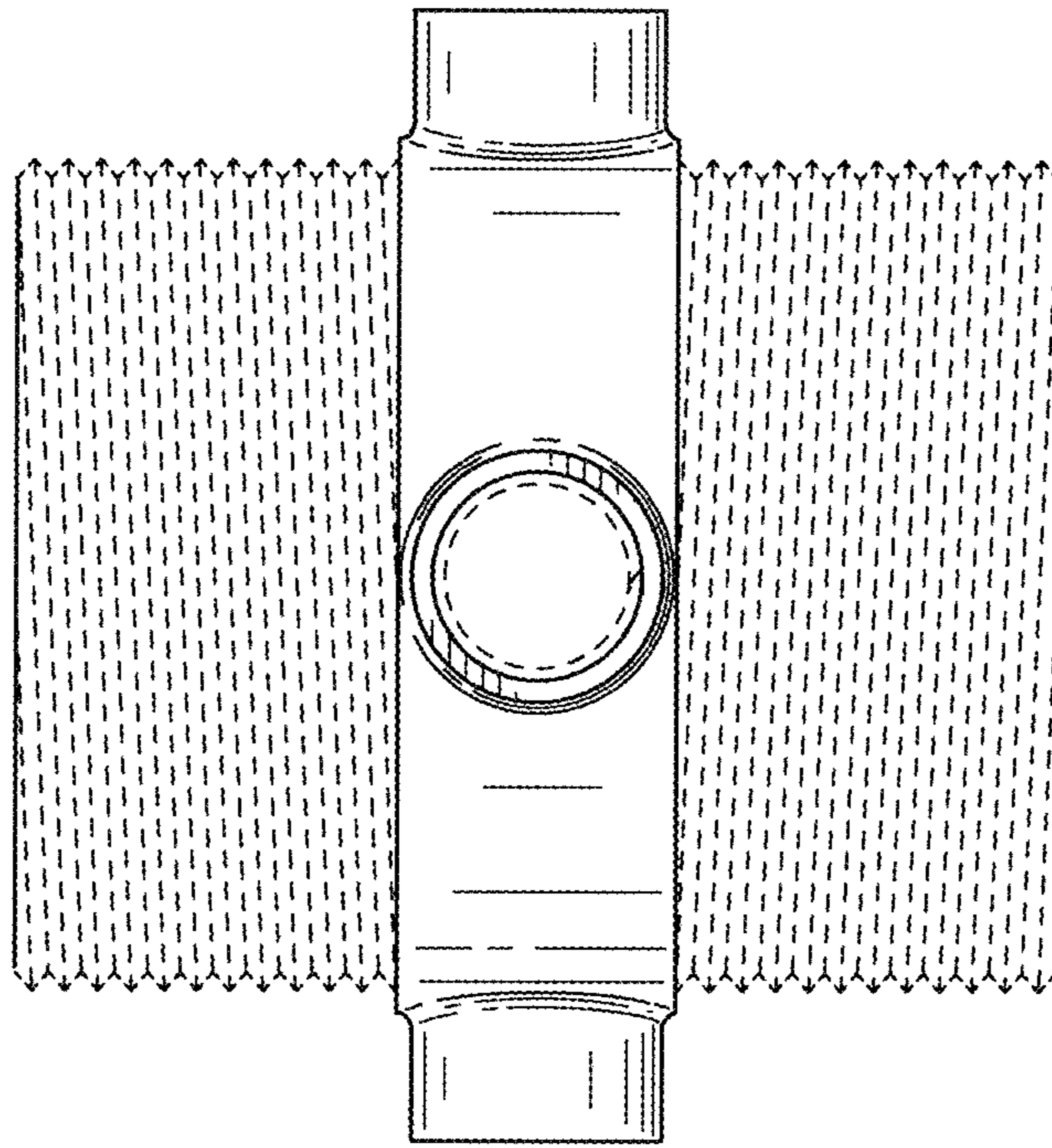


FIG. 4

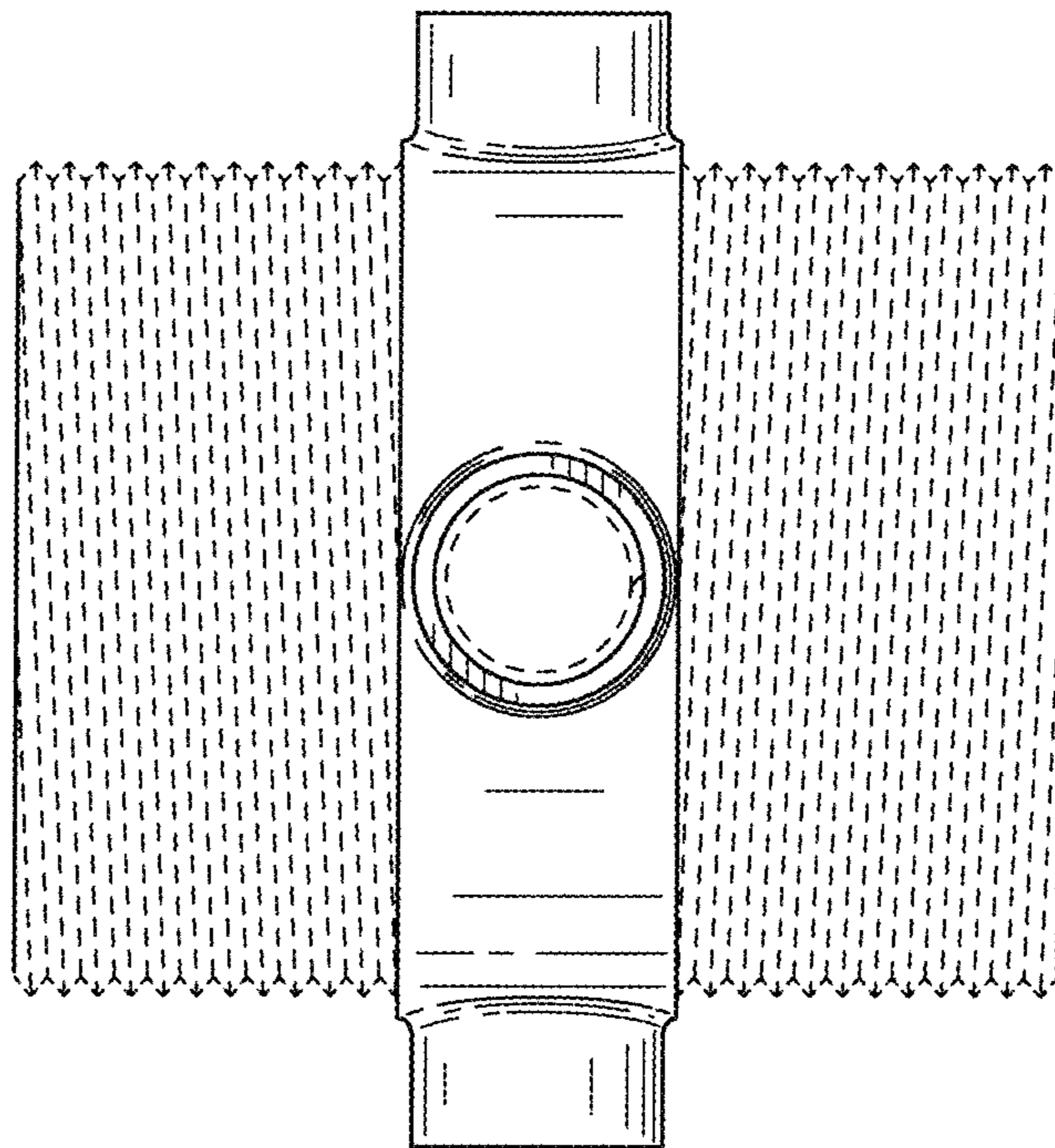


FIG. 5

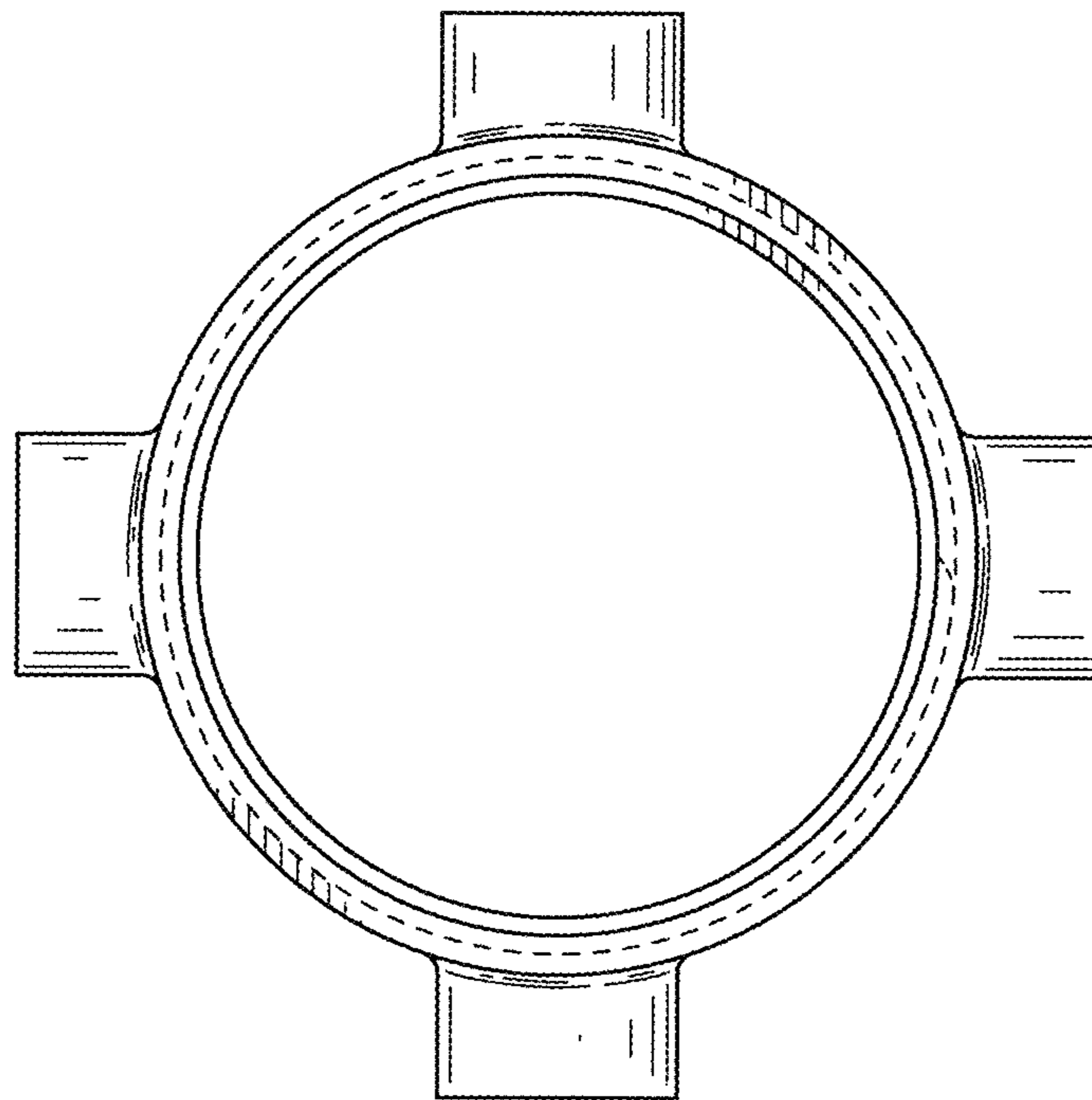


FIG. 6

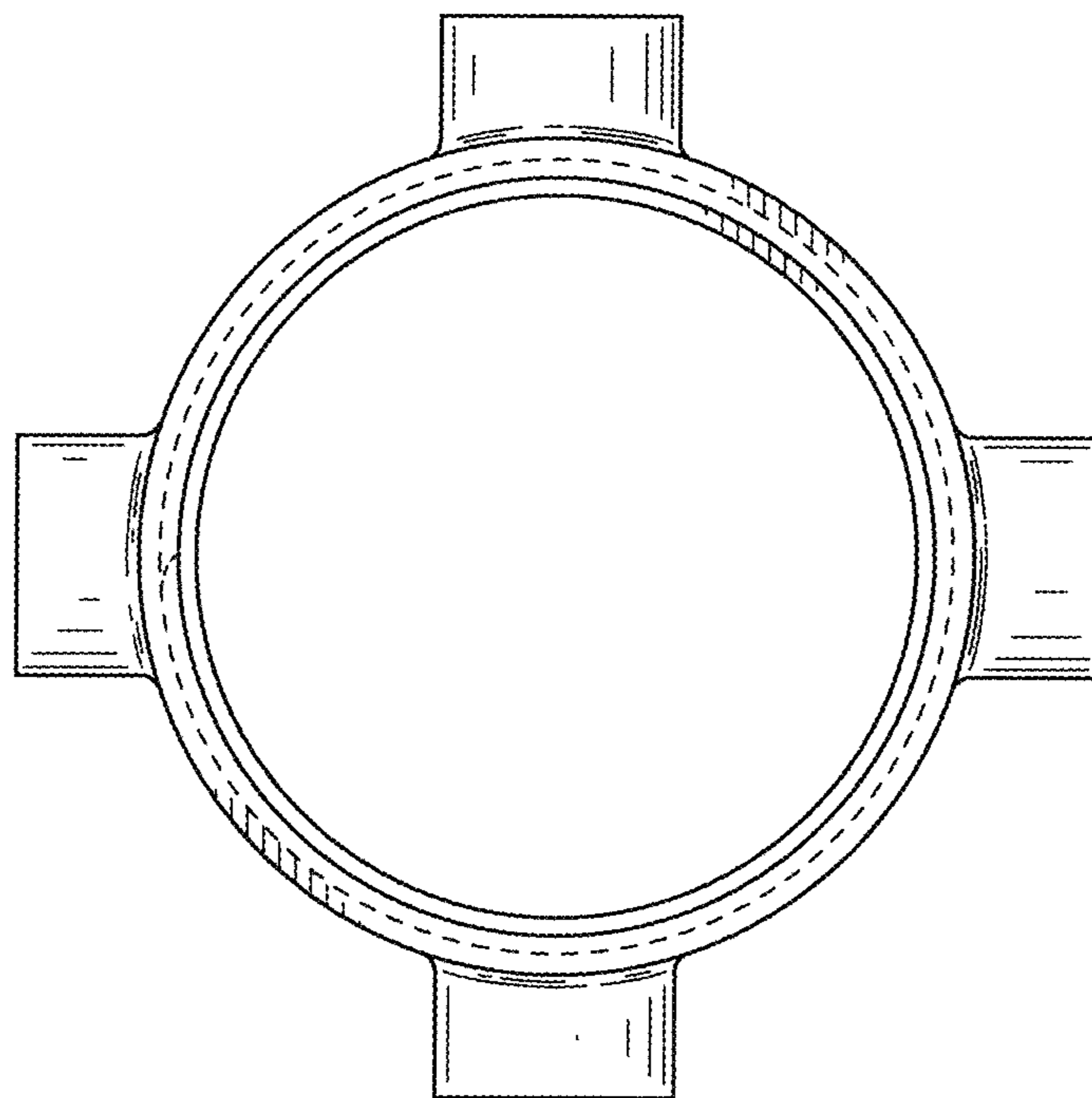


FIG. 7