



US00D913954S

(12) **United States Design Patent**
Voelzke et al.

(10) **Patent No.:** **US D913,954 S**
(45) **Date of Patent:** **** Mar. 23, 2021**

- (54) **HUB**
- (71) Applicant: **Robroy Industries—Texas, LLC**,
Gilmer, TX (US)
- (72) Inventors: **Steven A. Voelzke**, Longview, TX
(US); **Amanda Lynn Kessel**, Tyler, TX
(US); **Terry Henry**, Greenville, TX
(US)
- (73) Assignee: **Robroy Industries—Texas, LLC**,
Gilmer, TX (US)

8,337,228 B1 * 12/2012 Montena H02G 15/013
439/277
D703,147 S * 4/2014 Hanson D13/151
D703,519 S * 4/2014 Senseney D8/382
D781,787 S * 3/2017 Spiel D13/151
D838,248 S * 1/2019 Youtsey D13/151
2005/0181652 A1 * 8/2005 Montena H01R 13/5205
439/271
2012/0068456 A1 * 3/2012 Smith H02G 3/0616
285/307
2013/0109231 A1 * 5/2013 Sykes H01R 9/0521
439/585
2016/0248178 A1 * 8/2016 Hammons H01R 9/0524

* cited by examiner

(**) Term: **15 Years**

Primary Examiner — Jennifer O King

(21) Appl. No.: **29/669,136**

(74) *Attorney, Agent, or Firm* — The Webb Law Firm

(22) Filed: **Nov. 6, 2018**

(57) **CLAIM**

(51) **LOC (13) Cl.** **13-03**

The ornamental design for a hub, as shown and described.

(52) **U.S. Cl.**
USPC **D13/151**

DESCRIPTION

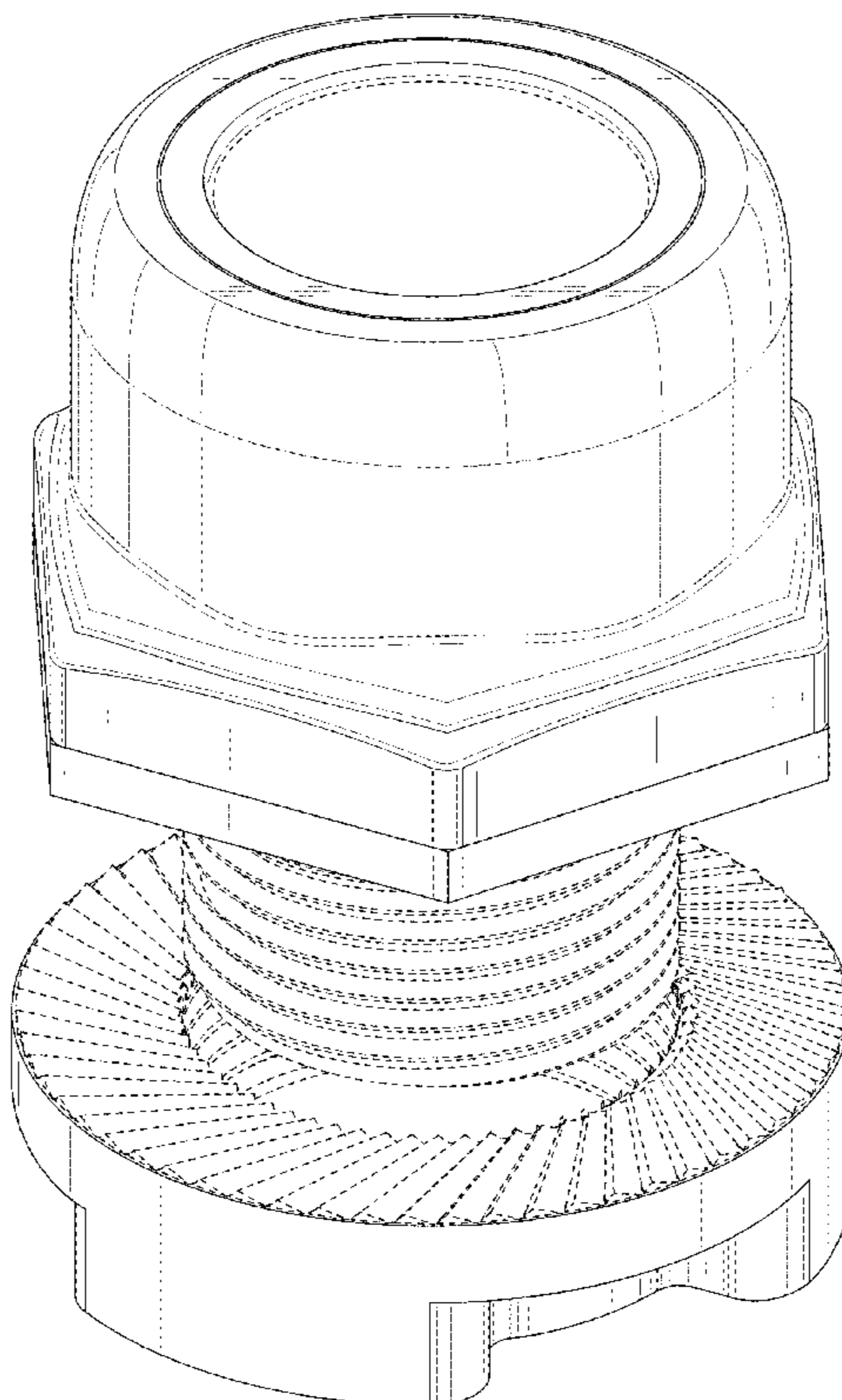
(58) **Field of Classification Search**
USPC D13/133, 150, 154, 155, 151, 156, 149,
D13/199; D8/339, 382; D11/11, 86
CPC . H01R 9/0524; H01R 9/0515; H01R 13/5219
See application file for complete search history.

FIG. 1 is a front perspective view of a hub showing our new design;
FIG. 2 is a bottom view thereof;
FIG. 3 is a top view thereof;
FIG. 4 is a left side elevation view thereof;
FIG. 5 is a right side elevation thereof;
FIG. 6 is a front elevation view thereof;
FIG. 7 is a rear elevation view thereof; and,
FIG. 8 is a rear perspective view thereof.
The portions of the hub shown in broken lines form no part of the claimed design.

(56) **References Cited**
U.S. PATENT DOCUMENTS

D468,275 S * 1/2003 Nimberger D13/199
6,960,101 B1 * 11/2005 Chen H01R 9/0524
439/578

1 Claim, 8 Drawing Sheets



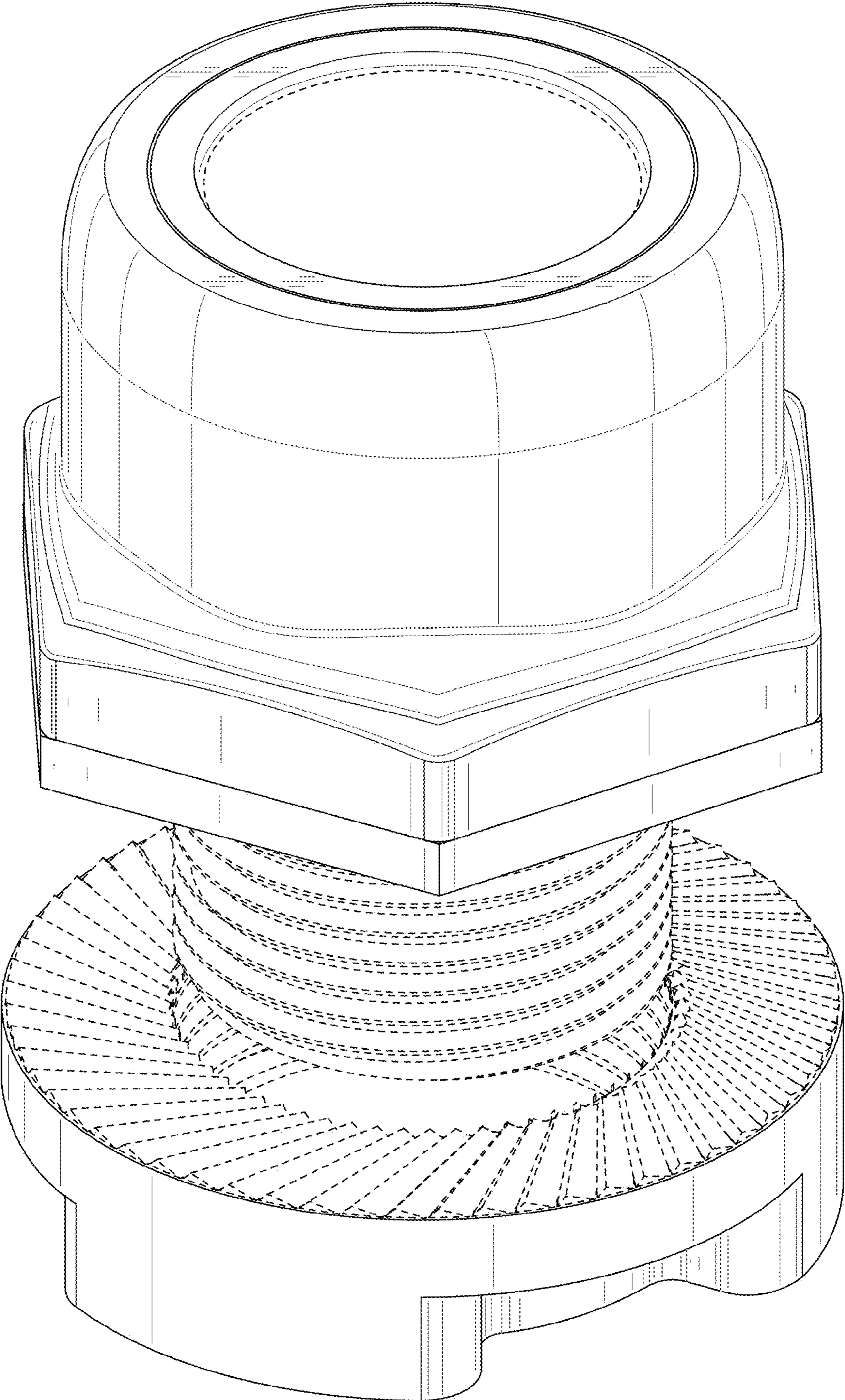


FIG. 1

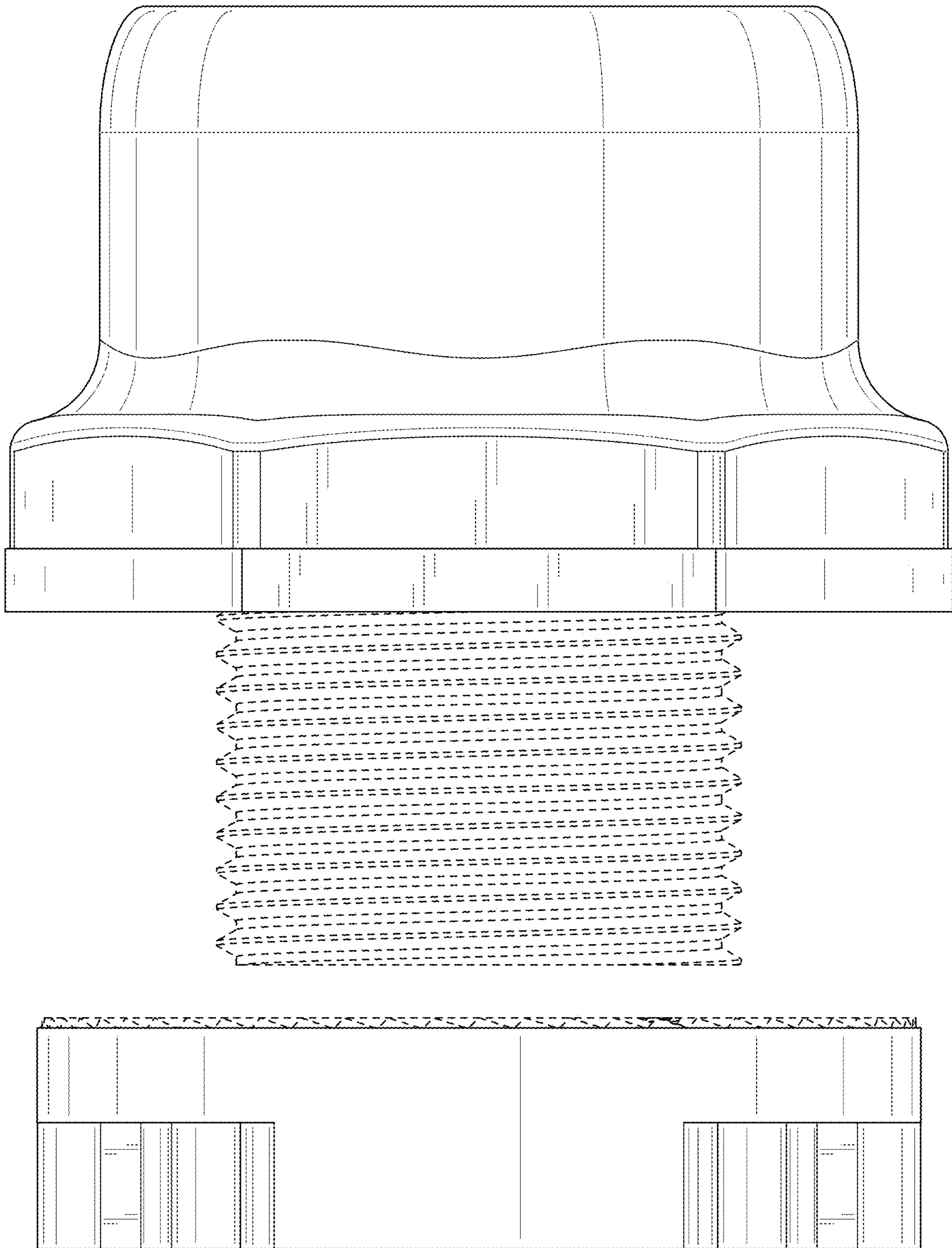


FIG. 2

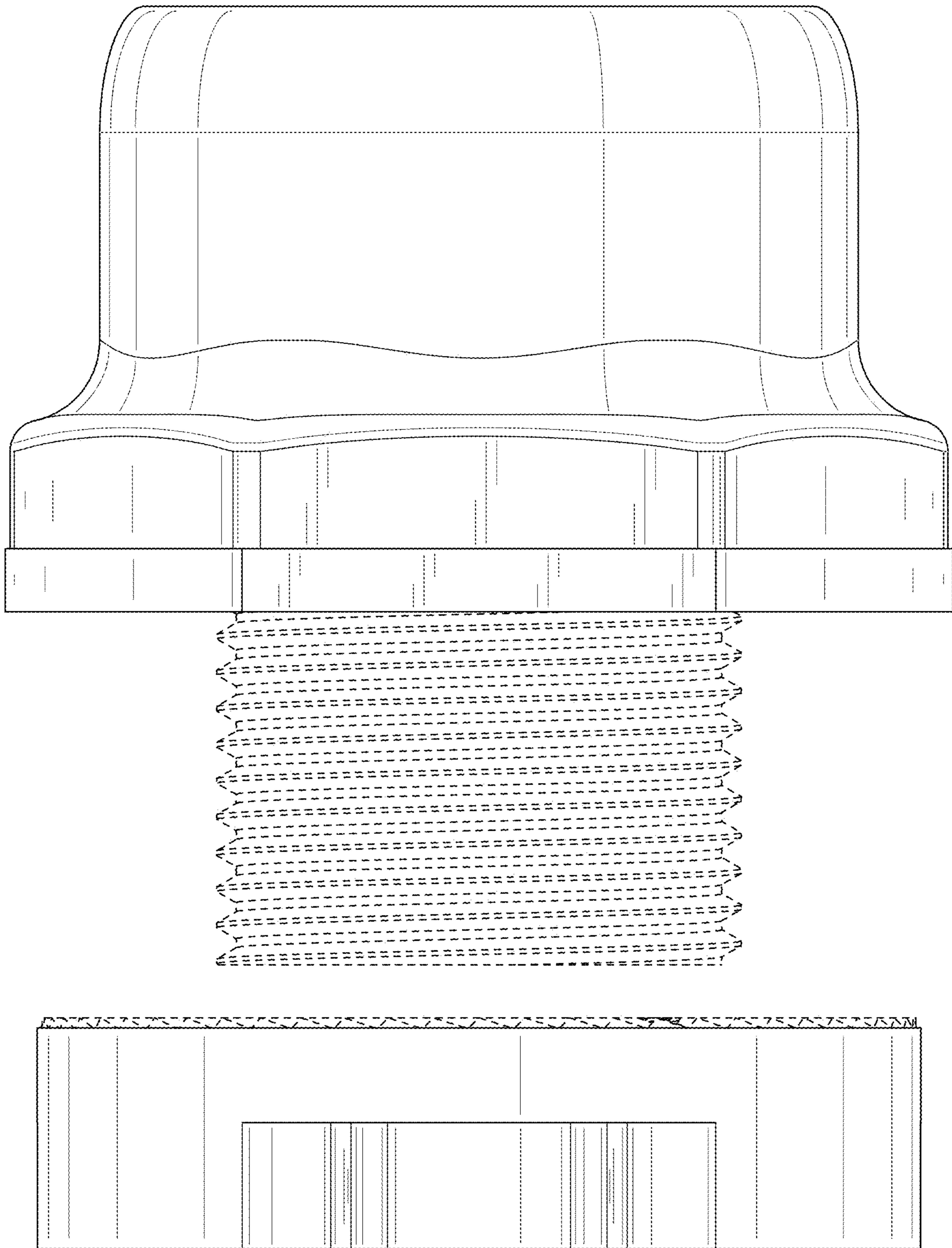


FIG. 3

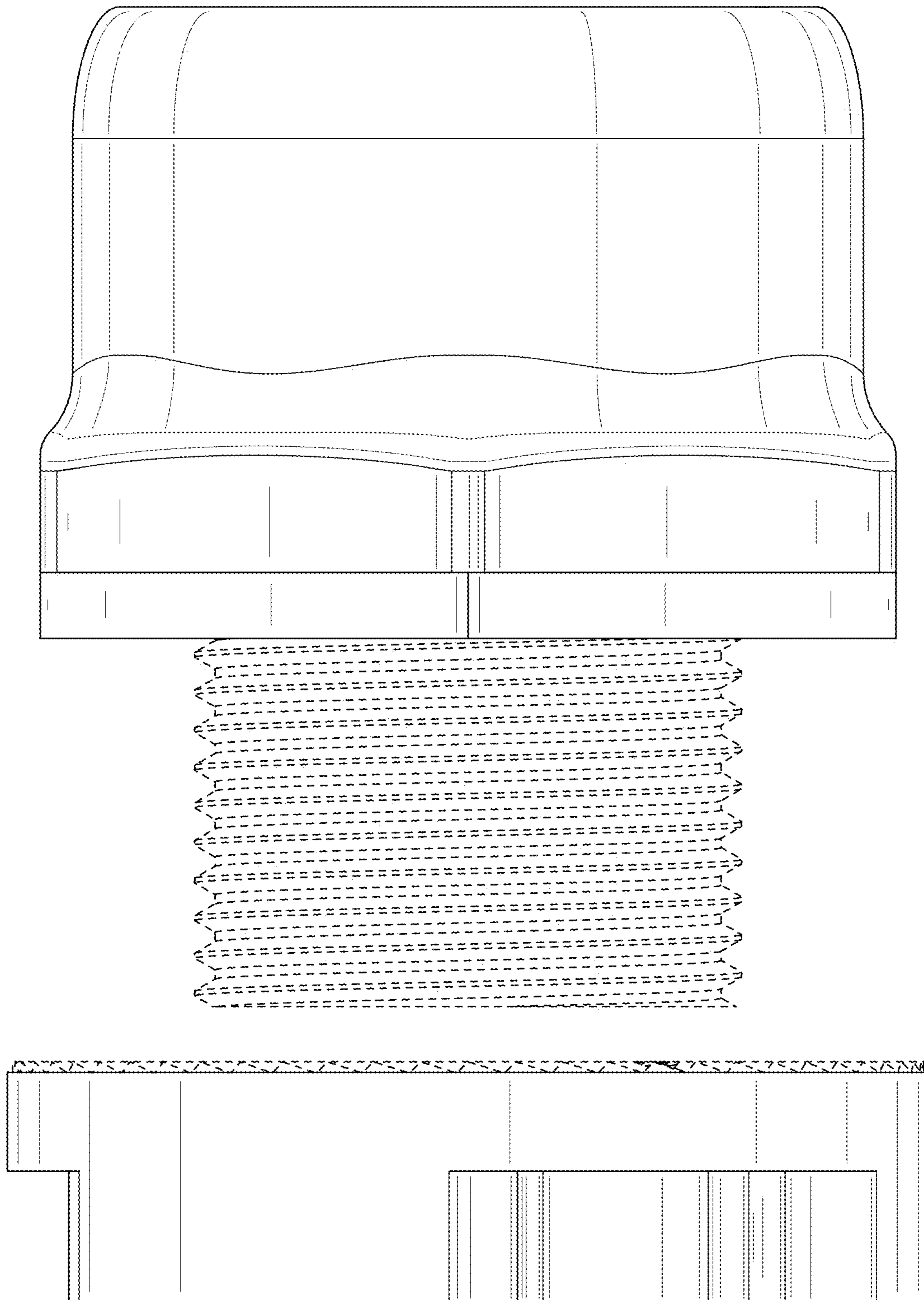


FIG. 4

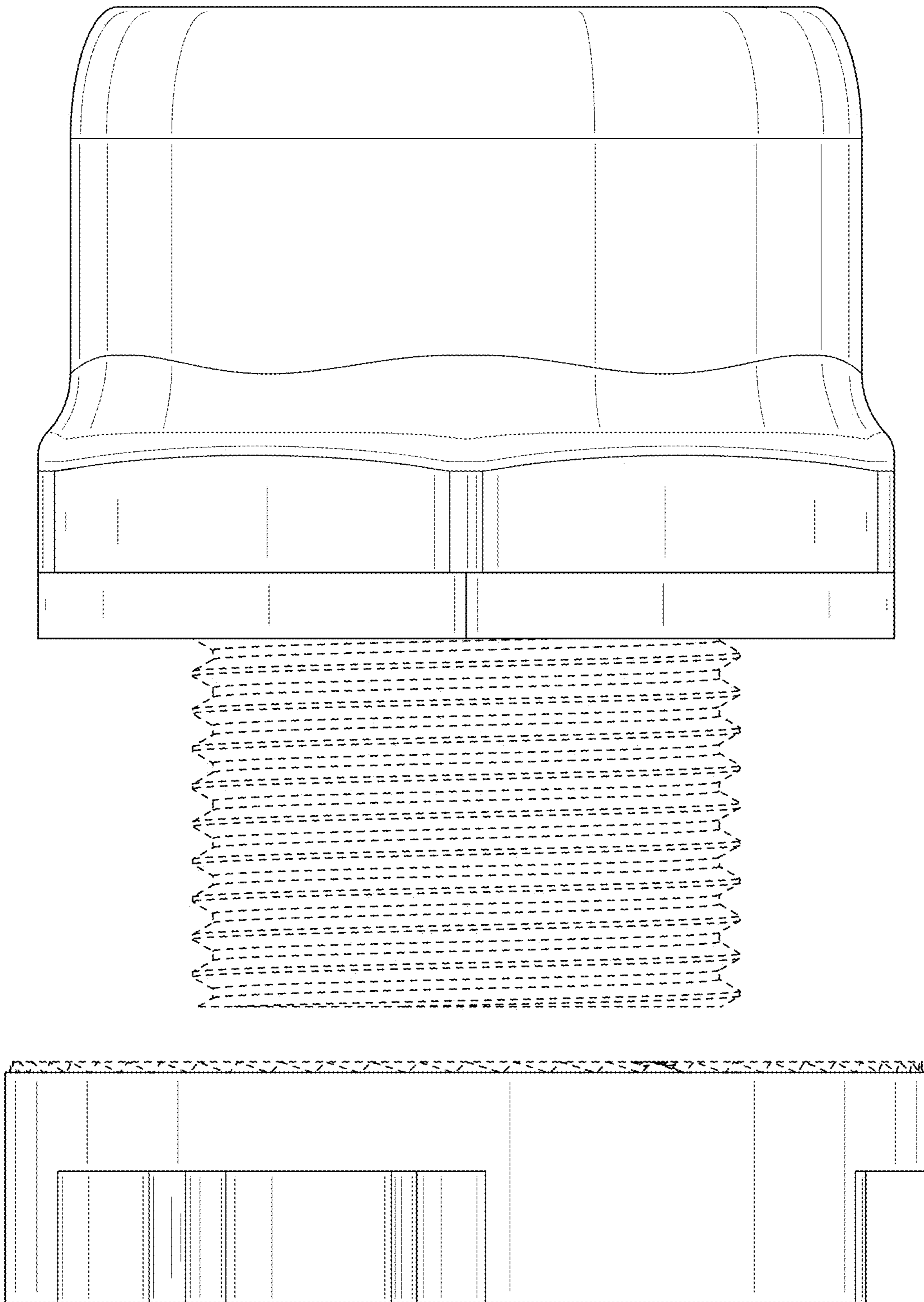


FIG. 5

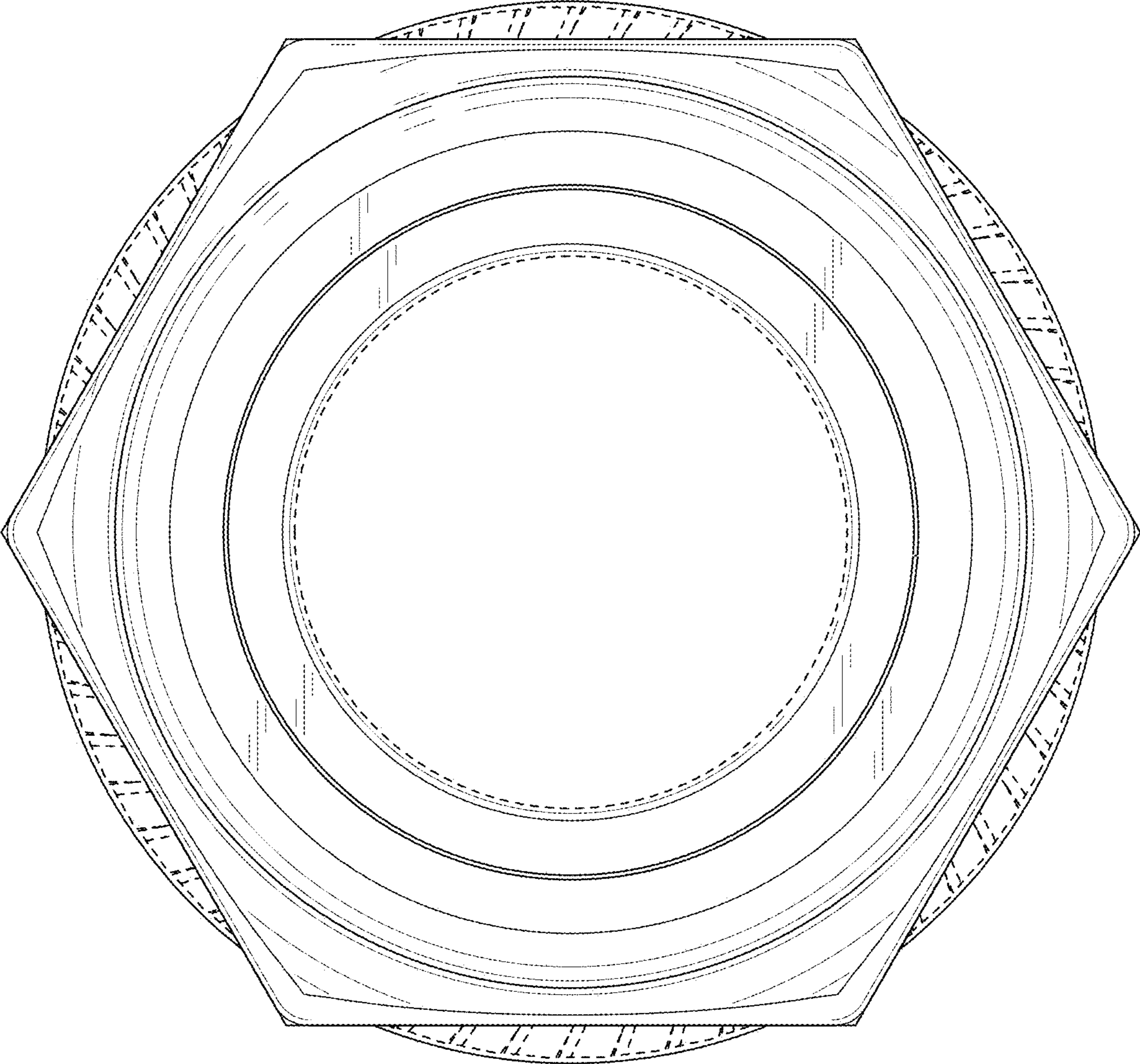


FIG. 6

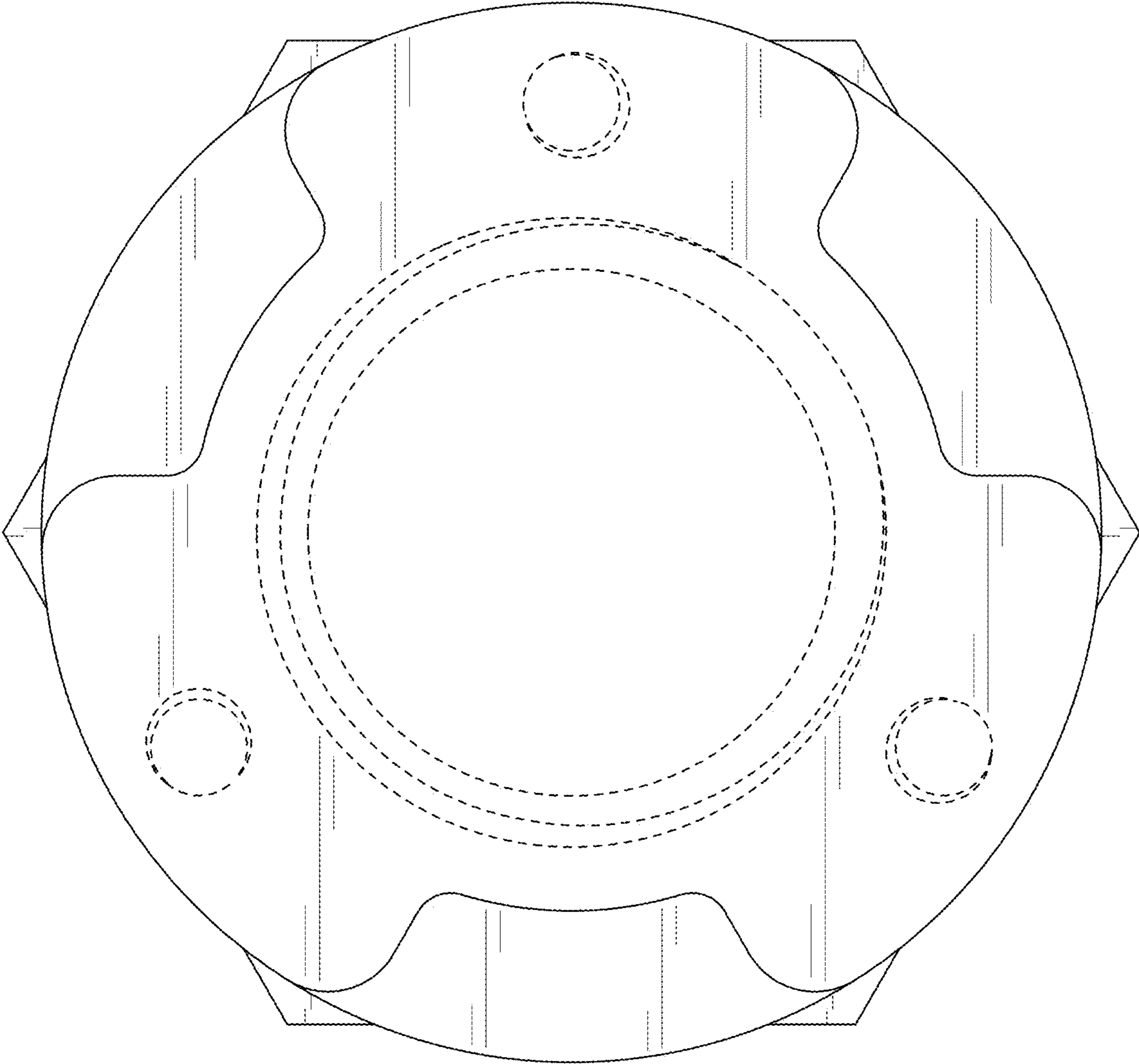


FIG. 7

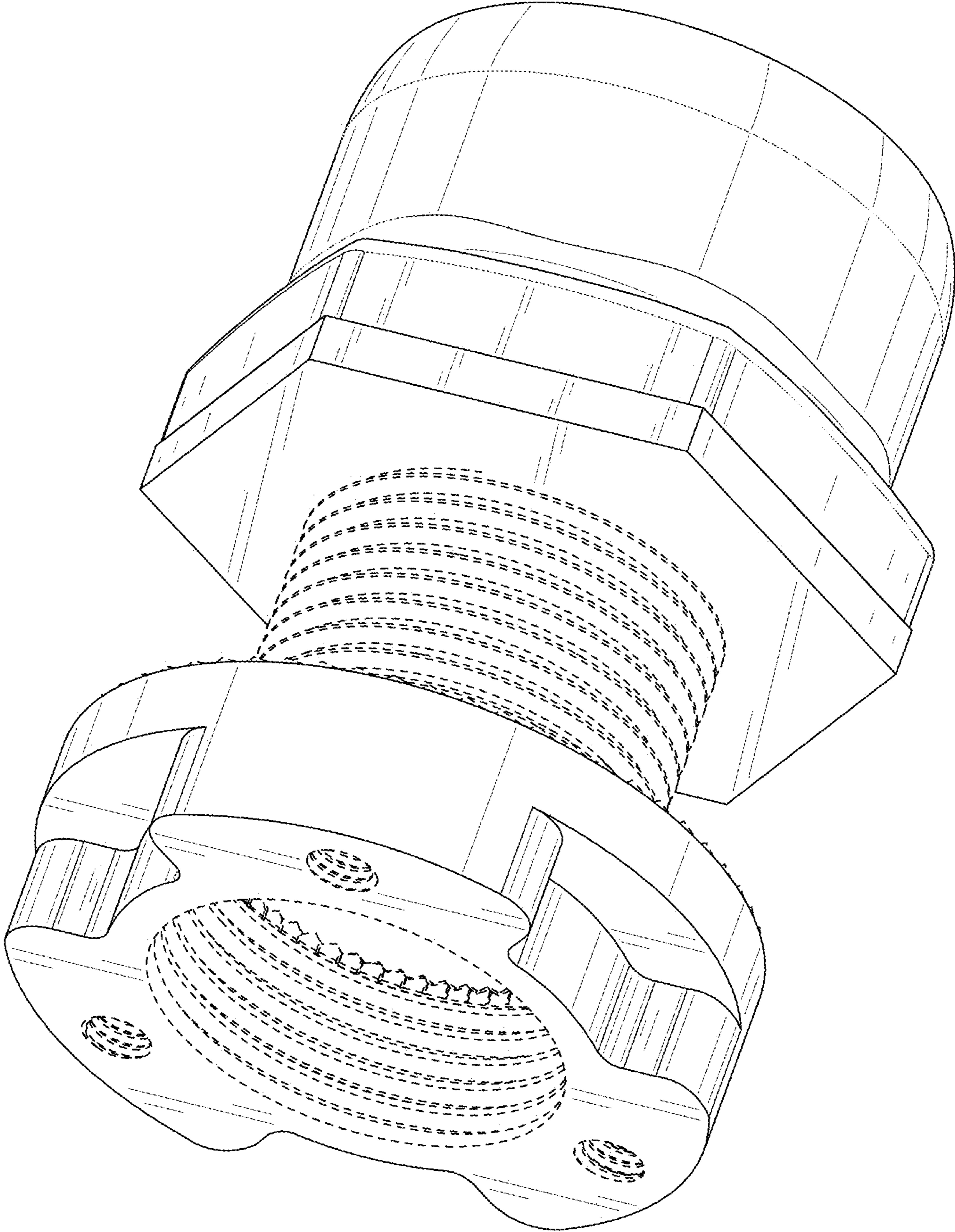


FIG. 8