



US00D913953S

(12) **United States Design Patent**
Ashibu et al.

(10) **Patent No.:** **US D913,953 S**
(45) **Date of Patent:** **** Mar. 23, 2021**

(54) **ELECTRICAL CONNECTOR**

(71) Applicant: **Japan Aviation Electronics Industry, Limited**, Tokyo (JP)

(72) Inventors: **Kenta Ashibu**, Tokyo (JP); **Takayuki Nishimura**, Tokyo (JP); **Toshiro Kobuchi**, Tokyo (JP)

(73) Assignee: **JAPAN AVIATION ELECTRONICS INDUSTRY, LIMITED**, Tokyo (JP)

(**) Term: **15 Years**

(21) Appl. No.: **29/695,543**

(22) Filed: **Jun. 20, 2019**

(30) **Foreign Application Priority Data**

Dec. 28, 2018 (JP) 2018-028888

(51) **LOC (13) Cl.** **13-03**

(52) **U.S. Cl.**
USPC **D13/147**

(58) **Field of Classification Search**
USPC D13/147, 146, 133, 154, 118, 110, 101,
D13/123, 184, 199, 153, 155, 156;
D14/356, 433, 432, 435.1, 182, 435, 199,
D14/149

CPC H01R 24/60; H01R 24/70; H01R 13/5205;
H01R 13/5219; H01R 13/642; H01R
13/6471; H01R 13/6581; H01R 13/6582;
H01R 13/6591; H01R 13/6596

See application file for complete search history.

(56) **References Cited**

U.S. PATENT DOCUMENTS

D720,699 S * 1/2015 Watanabe D13/147
D722,295 S * 2/2015 Miyazaki D13/147
D722,568 S * 2/2015 Ueda D13/147
D733,058 S * 6/2015 Miyazaki D13/147

D739,825 S * 9/2015 Omodachi D13/147
D743,904 S * 11/2015 Kobuchi D13/147
D745,462 S * 12/2015 Kobuchi D13/147
D745,848 S * 12/2015 Kobuchi D13/147
D759,601 S * 6/2016 Kobuchi D13/147
D760,659 S * 7/2016 Takemoto D13/147
D774,462 S * 12/2016 Omodachi D13/147
D792,854 S * 7/2017 Ashibu D13/147
D795,813 S * 8/2017 Goto D13/147
D826,166 S * 8/2018 Yayoshi D13/147
D828,306 S * 9/2018 Horino D13/147
2006/0264075 A1 * 11/2006 Obikane H01R 24/60
439/74
2010/0267287 A1 * 10/2010 Ishikawa H01R 13/20
439/700
2014/0099804 A1 * 4/2014 Kobuchi H01R 12/73
439/66
2014/0256195 A1 * 9/2014 Obikane H01R 13/02
439/700

(Continued)

Primary Examiner — Susan Bennett Hattan

Assistant Examiner — Landon T Cassell

(74) *Attorney, Agent, or Firm* — Manabu Kanesaka

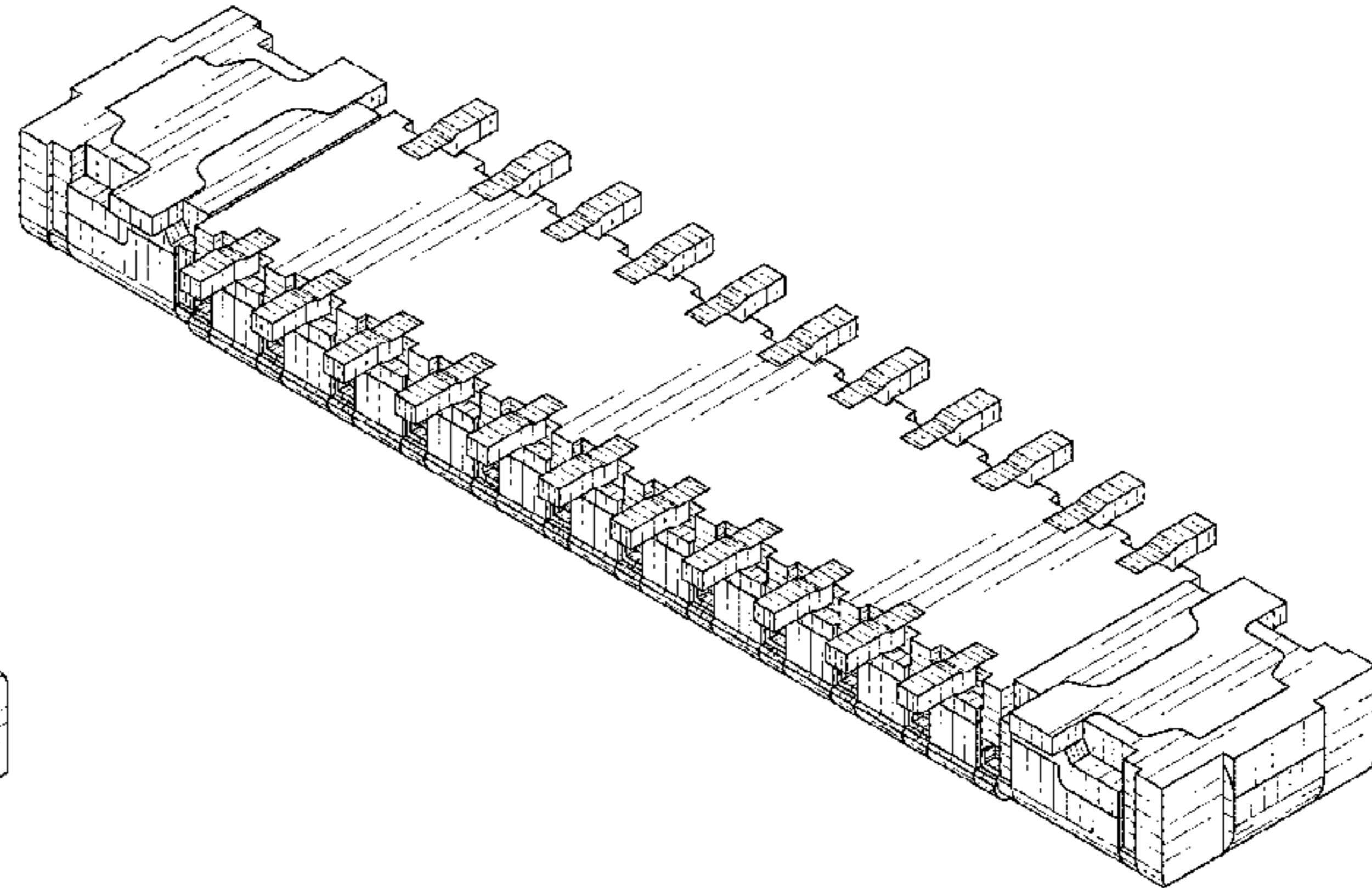
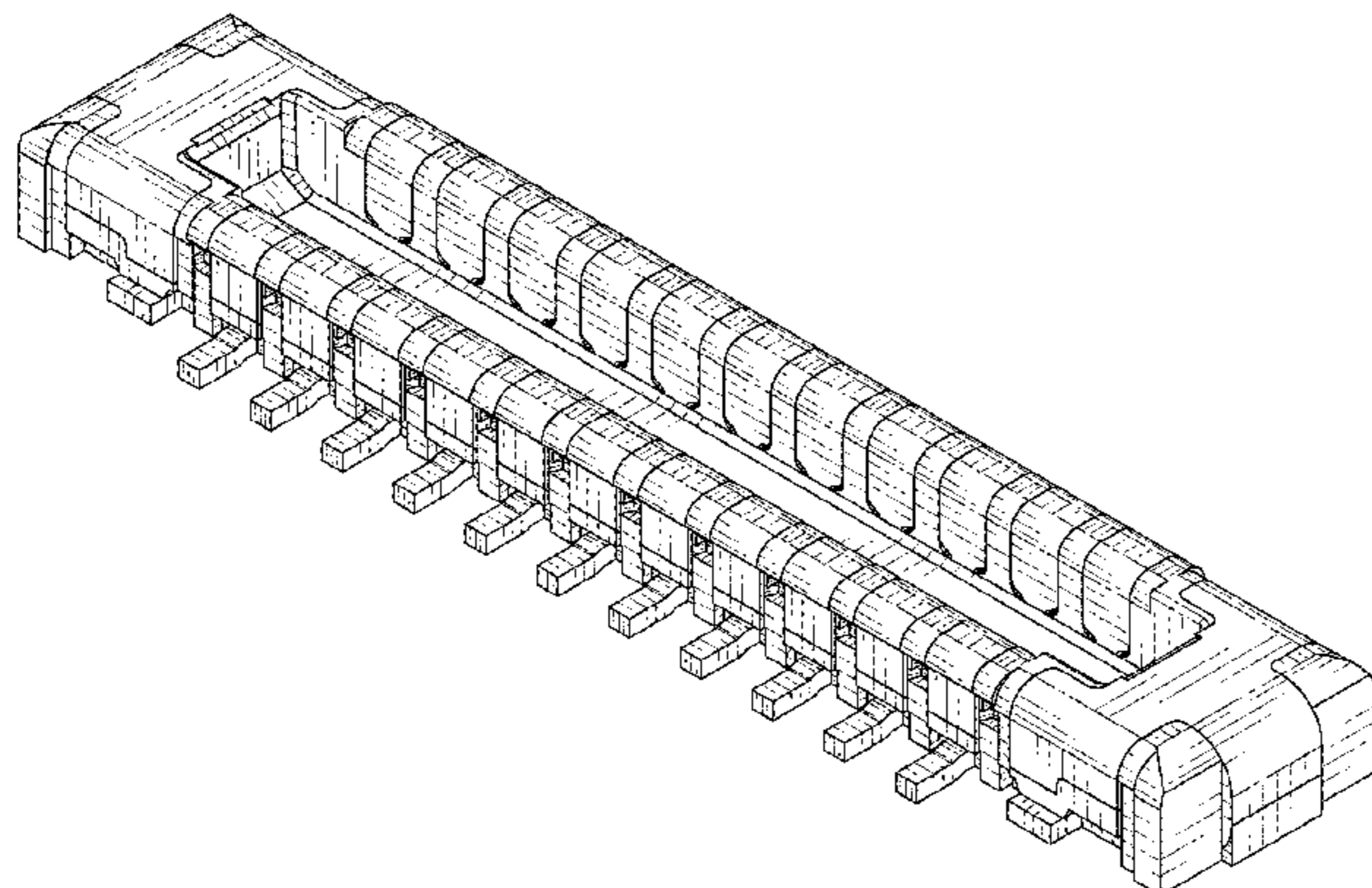
(57) **CLAIM**

The ornamental design for an electrical connector, as shown and described.

DESCRIPTION

FIG. 1 is a front elevational view of an electrical connector showing our new design;
FIG. 2 is a rear elevational view thereof;
FIG. 3 is a right side elevational view thereof;
FIG. 4 is a left side elevational view thereof;
FIG. 5 is a top plan view thereof;
FIG. 6 is a bottom plan view thereof;
FIG. 7 is a perspective view showing a front, top and right side thereof; and,
FIG. 8 is a perspective view showing a rear, bottom and left side thereof.

1 Claim, 4 Drawing Sheets



(56)

References Cited

U.S. PATENT DOCUMENTS

2015/0140841 A1* 5/2015 Watanabe H01R 43/18
439/74
2015/0263464 A1* 9/2015 Arichika H01R 12/7029
439/374
2015/0270641 A1* 9/2015 Omodachi H01R 13/629
439/374
2016/0315430 A1* 10/2016 Takeuchi H01R 12/00
2019/0131731 A1* 5/2019 Lee H01R 13/405
2019/0319398 A1* 10/2019 Ashibu H01R 13/405
2020/0067217 A1* 2/2020 Ashibu H01R 13/405
2020/0161816 A1* 5/2020 Amemori H01R 13/6592

* cited by examiner

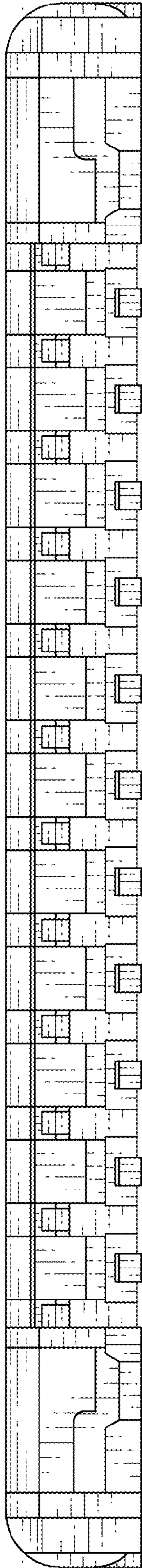


FIG. 1

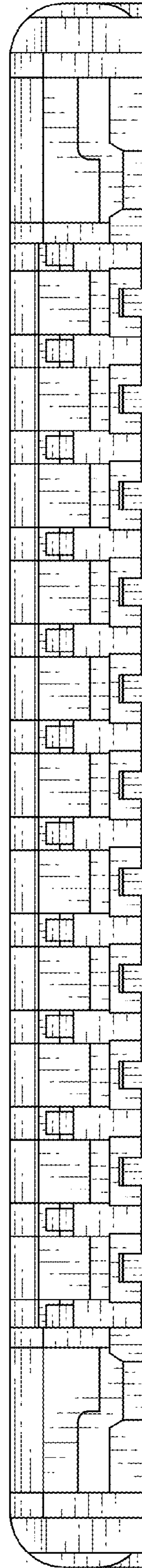


FIG. 2

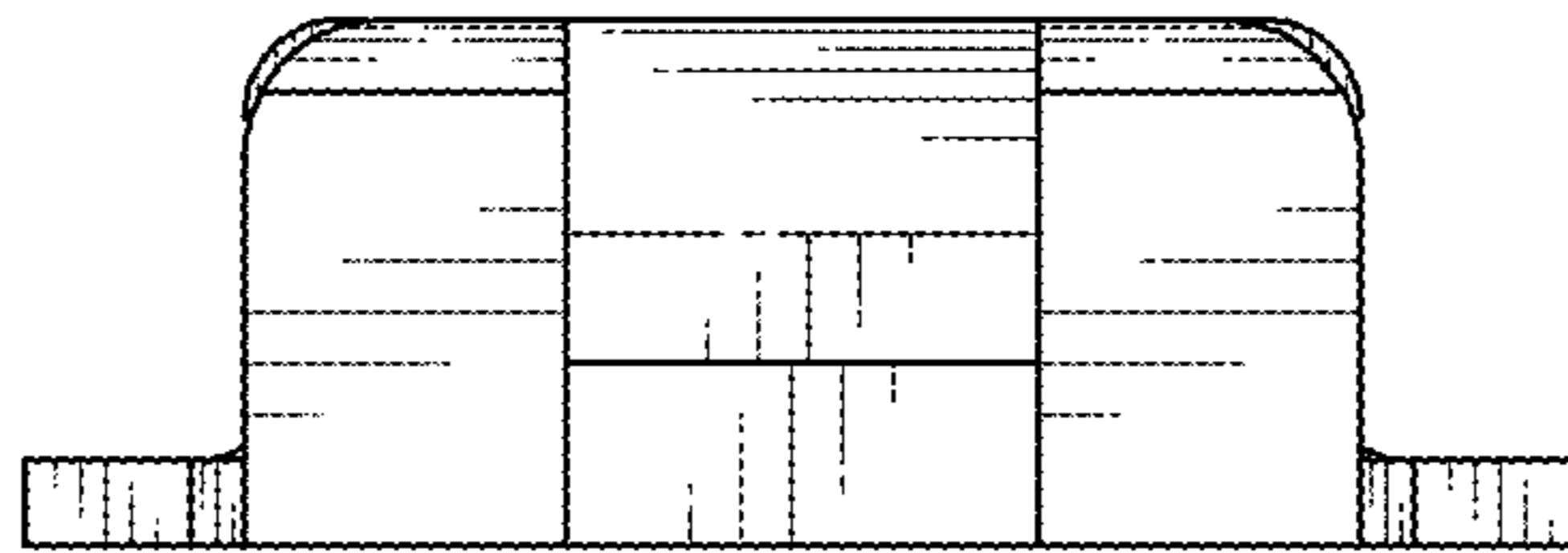


FIG. 3

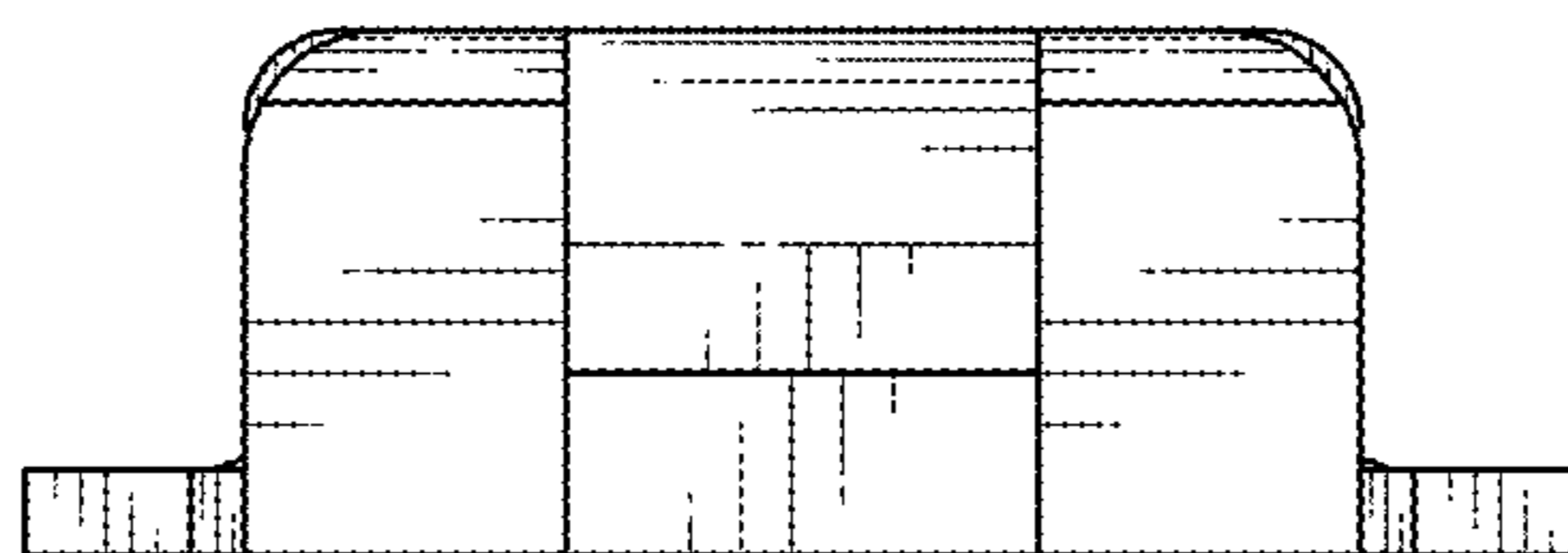


FIG. 4

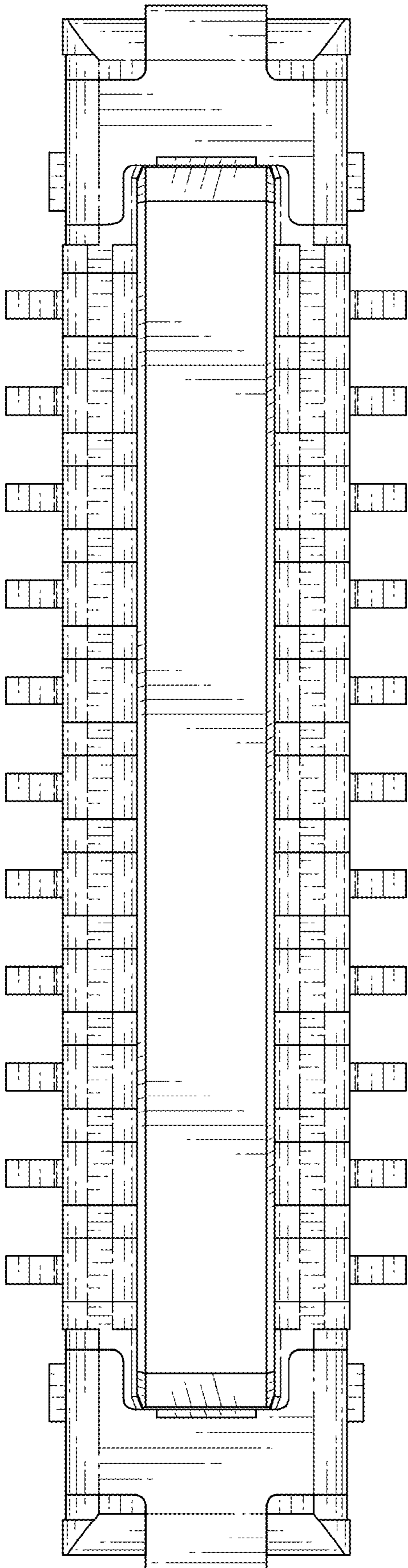


FIG. 5

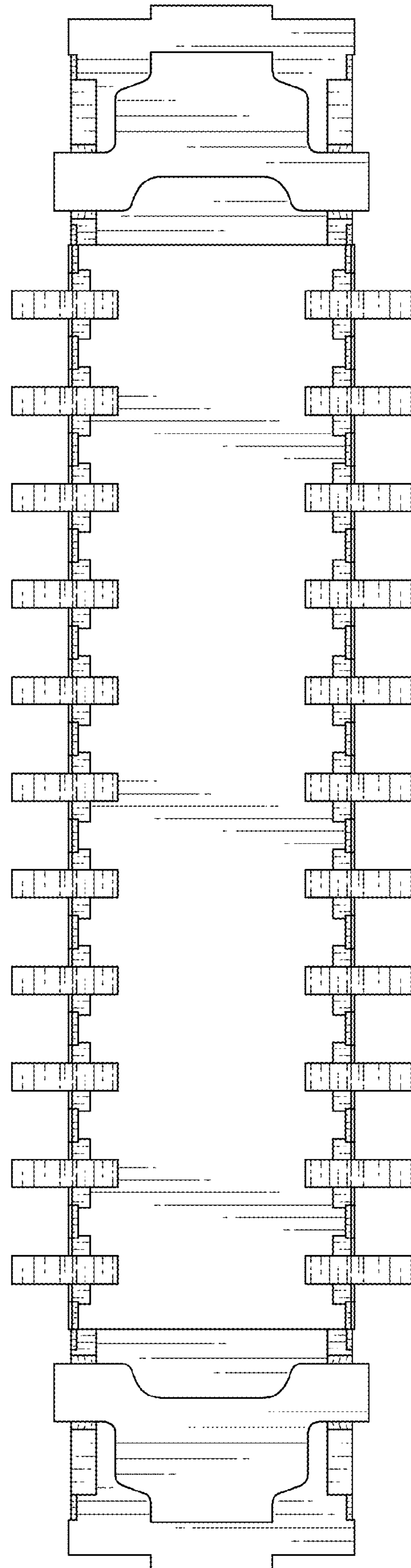


FIG. 6

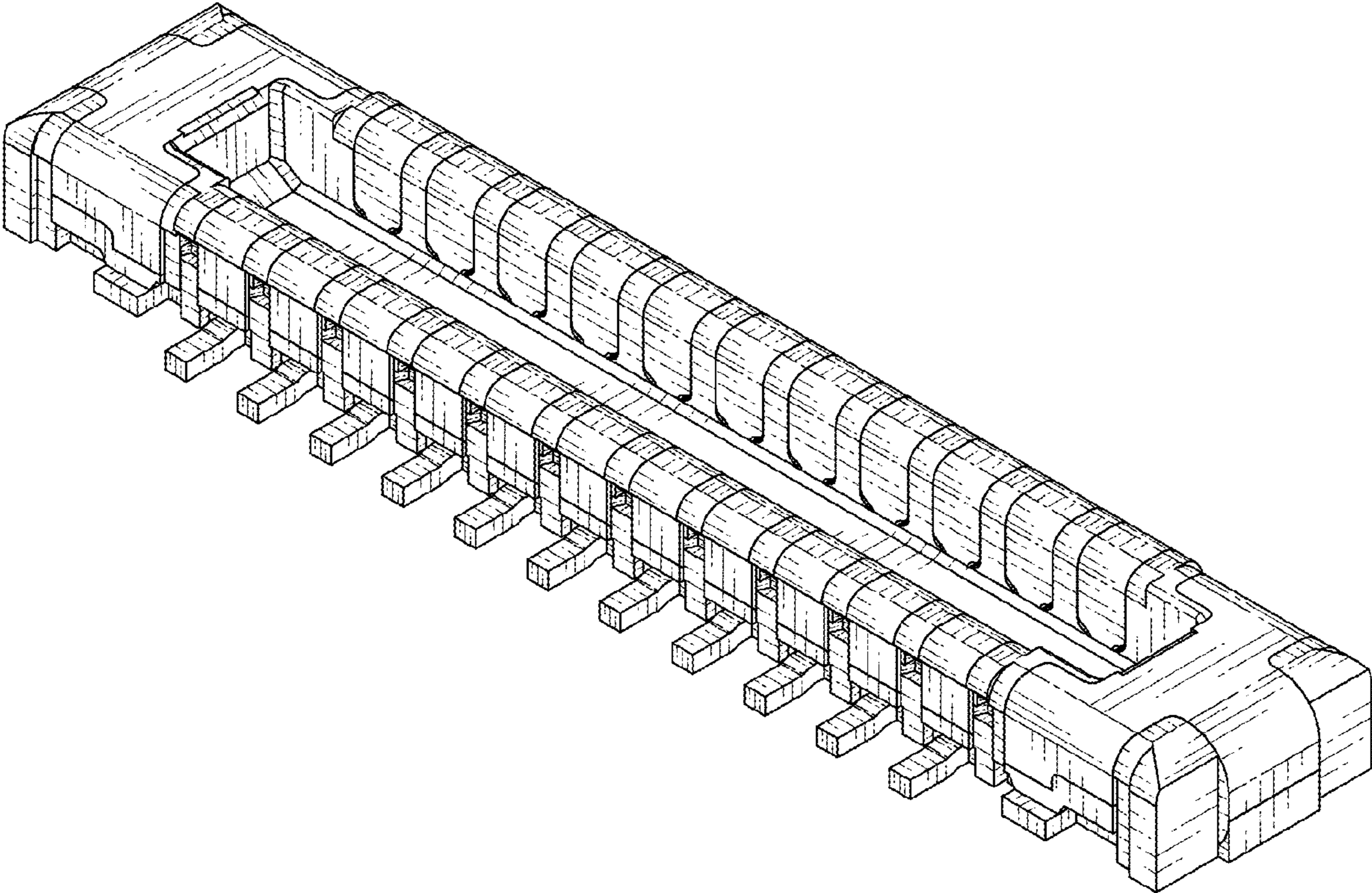


FIG. 7

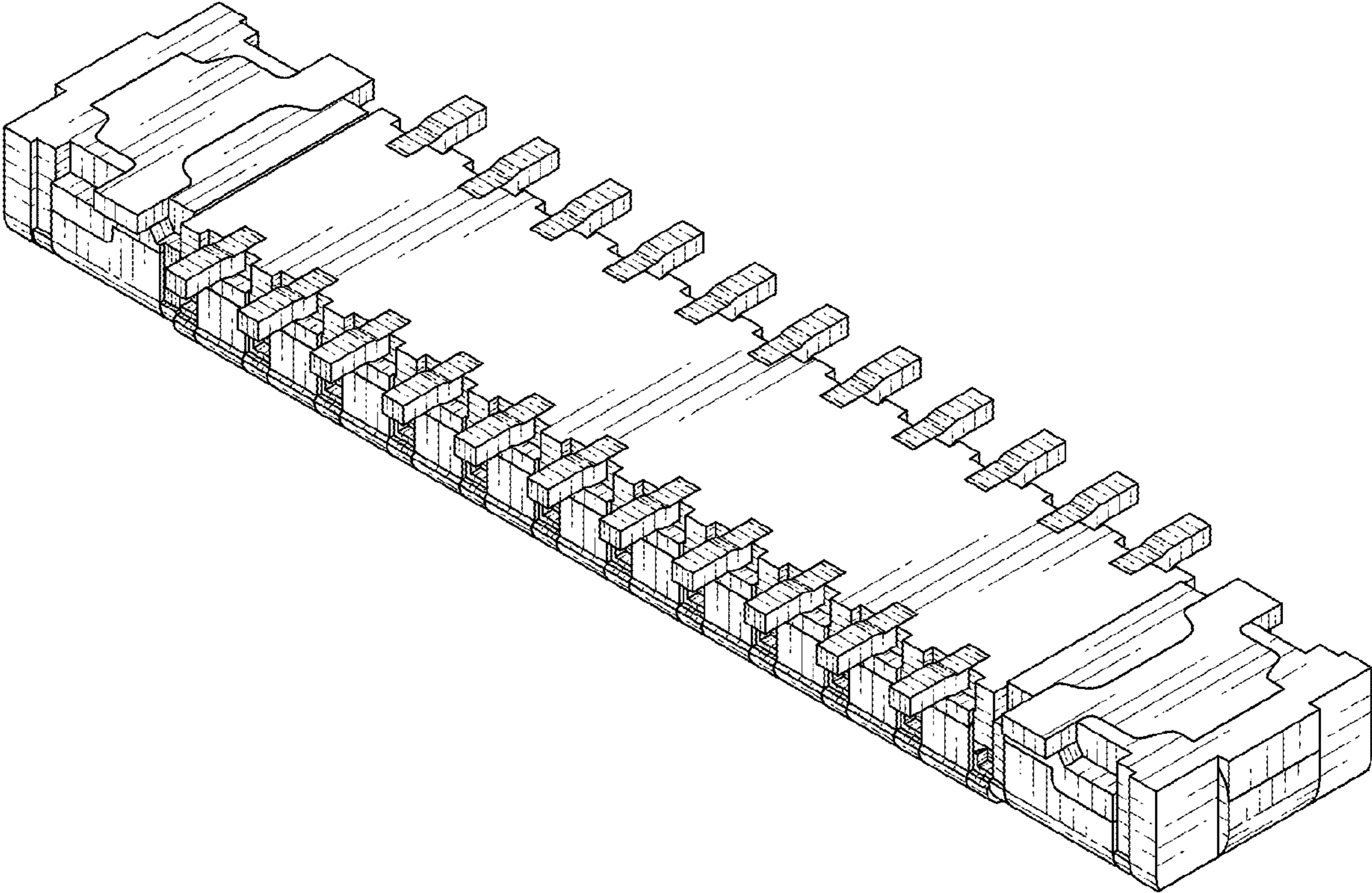


FIG. 8