



US00D913952S

(12) **United States Design Patent**
Obata et al.

(10) **Patent No.:** **US D913,952 S**
(45) **Date of Patent:** **** Mar. 23, 2021**

(54) **CONNECTOR**

(74) *Attorney, Agent, or Firm* — Manabu Kanesaka

(71) Applicant: **Japan Aviation Electronics Industry, Limited**, Tokyo (JP)

(57) **CLAIM**

The ornamental design for a connector, as shown and described.

(72) Inventors: **Yusuke Obata**, Tokyo (JP); **Hiroaki Obikane**, Tokyo (JP)

DESCRIPTION

(73) Assignee: **JAPAN AVIATION ELECTRONICS INDUSTRY, LIMITED**, Tokyo (JP)

FIG. 1 is a front elevational view of a connector showing our new design;

(**) Term: **15 Years**

FIG. 2 is a rear elevational view thereof;

(21) Appl. No.: **29/692,381**

FIG. 3 is a right side elevational view thereof;

(22) Filed: **May 24, 2019**

FIG. 4 is a left side elevational view thereof;

(30) **Foreign Application Priority Data**

FIG. 5 is a top plan view thereof;

Dec. 6, 2018 (JP) 2018-026610

FIG. 6 is a bottom plan view thereof;

(51) **LOC (13) Cl.** **13-03**

FIG. 7 is a perspective view showing a front, top and right side thereof;

(52) **U.S. Cl.**

USPC **D13/147**

FIG. 8 is a perspective view showing a rear, bottom and left side thereof;

(58) **Field of Classification Search**

USPC D13/110, 120, 123, 133, 118, 146, 147,
D13/149, 153, 154, 178, 184, 199;
D14/256

FIG. 9 is a perspective view showing a front, right and bottom side thereof;

CPC H01R 4/183; H01R 4/184; H01R 4/185;
H01R 13/6471; H01R 13/6585; H01R
9/16

FIG. 10 is a perspective view showing a rear, left and top side thereof;

See application file for complete search history.

FIG. 11 is a front elevational view thereof, shown in a closed position;

(56) **References Cited**

U.S. PATENT DOCUMENTS

D314,756 S * 2/1991 Endo D13/147
D479,199 S * 9/2003 Jones D13/147
D524,736 S * 7/2006 Morita D13/133
7,556,539 B2 * 7/2009 Takahashi H01R 13/4362
439/752

FIG. 12 is a rear elevational view thereof;

FIG. 13 is a right side elevational view thereof;

FIG. 14 is a left side elevational view thereof;

FIG. 15 is a top plan view thereof;

FIG. 16 is a bottom plan view thereof;

FIG. 17 is a perspective view showing a front, top and right side thereof;

FIG. 18 is a perspective view showing a rear, bottom and left side thereof;

FIG. 19 is a perspective view showing a front, right and bottom side thereof; and,

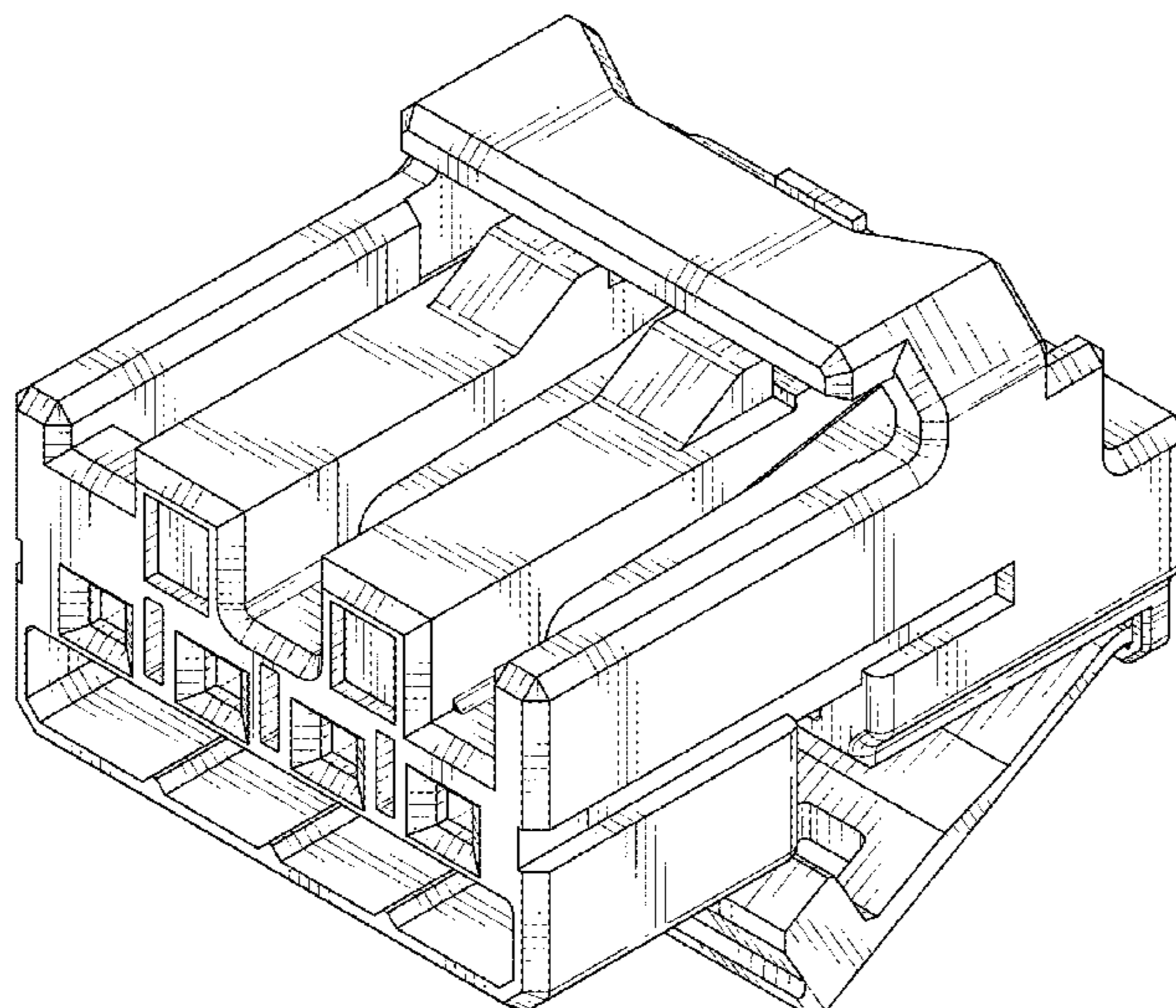
FIG. 20 is a perspective view showing a rear, left and top side thereof.

The broken line showing of the connector is for the purpose of illustrating portions of the article and forms no part of the claimed design.

(Continued)

Primary Examiner — Jennifer O King

1 Claim, 10 Drawing Sheets



(56)

References Cited

U.S. PATENT DOCUMENTS

D661,251 S *	6/2012	Cheng	D13/120
8,210,864 B1 *	7/2012	Hernandez	H01R 13/4362
			439/352
D678,205 S *	3/2013	Shifris	D13/133
D680,075 S *	4/2013	Yang	D13/133
D705,731 S *	5/2014	Zhong	D13/133
9,917,381 B1 *	3/2018	Campbell	H01R 9/16
D828,811 S *	9/2018	Aoshima	D13/133
D841,587 S *	2/2019	Terajima	D13/133
D857,006 S *	8/2019	DeVito	D14/256
D870,673 S *	12/2019	Obata	D13/147

* cited by examiner

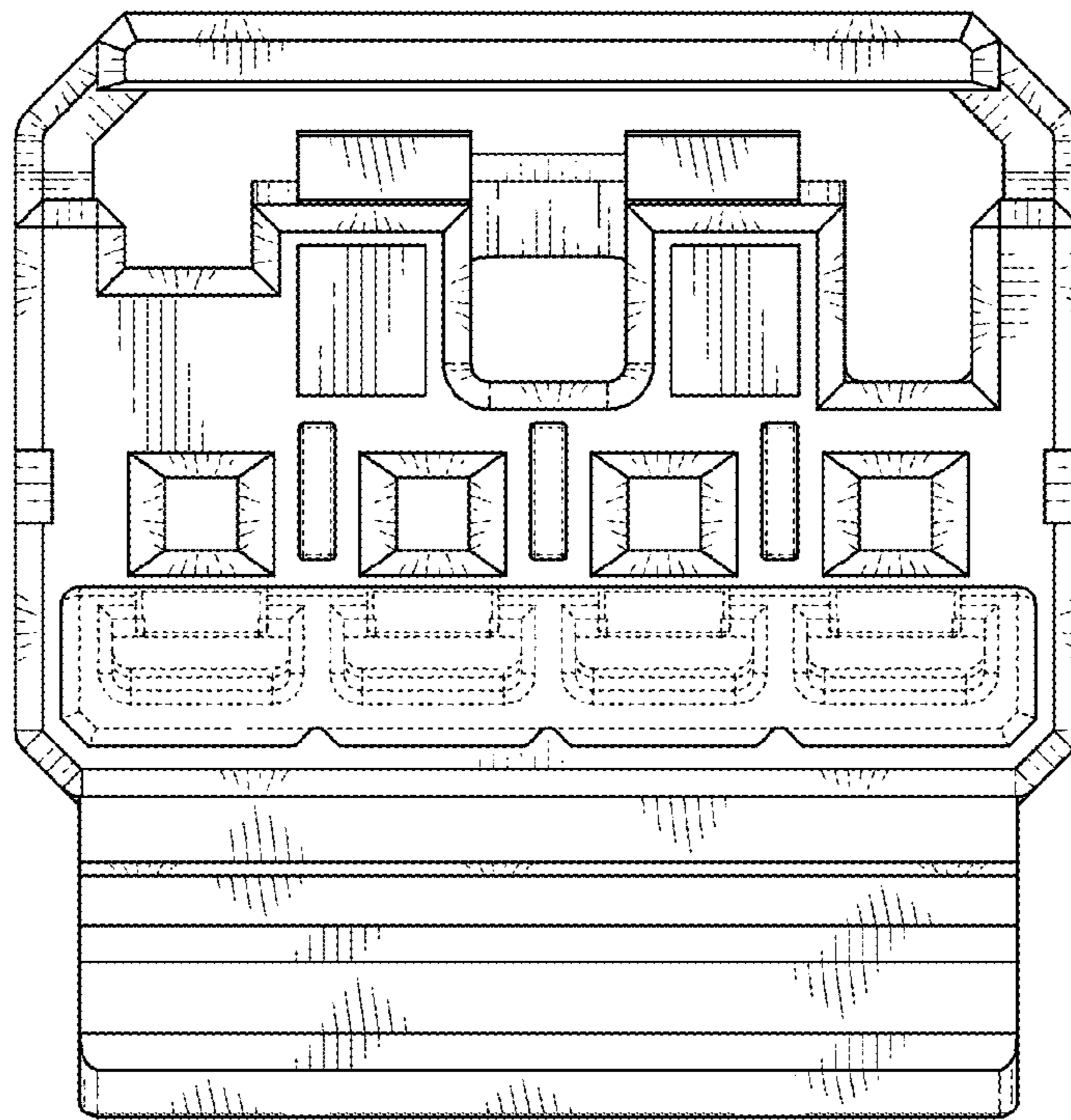


FIG. 1

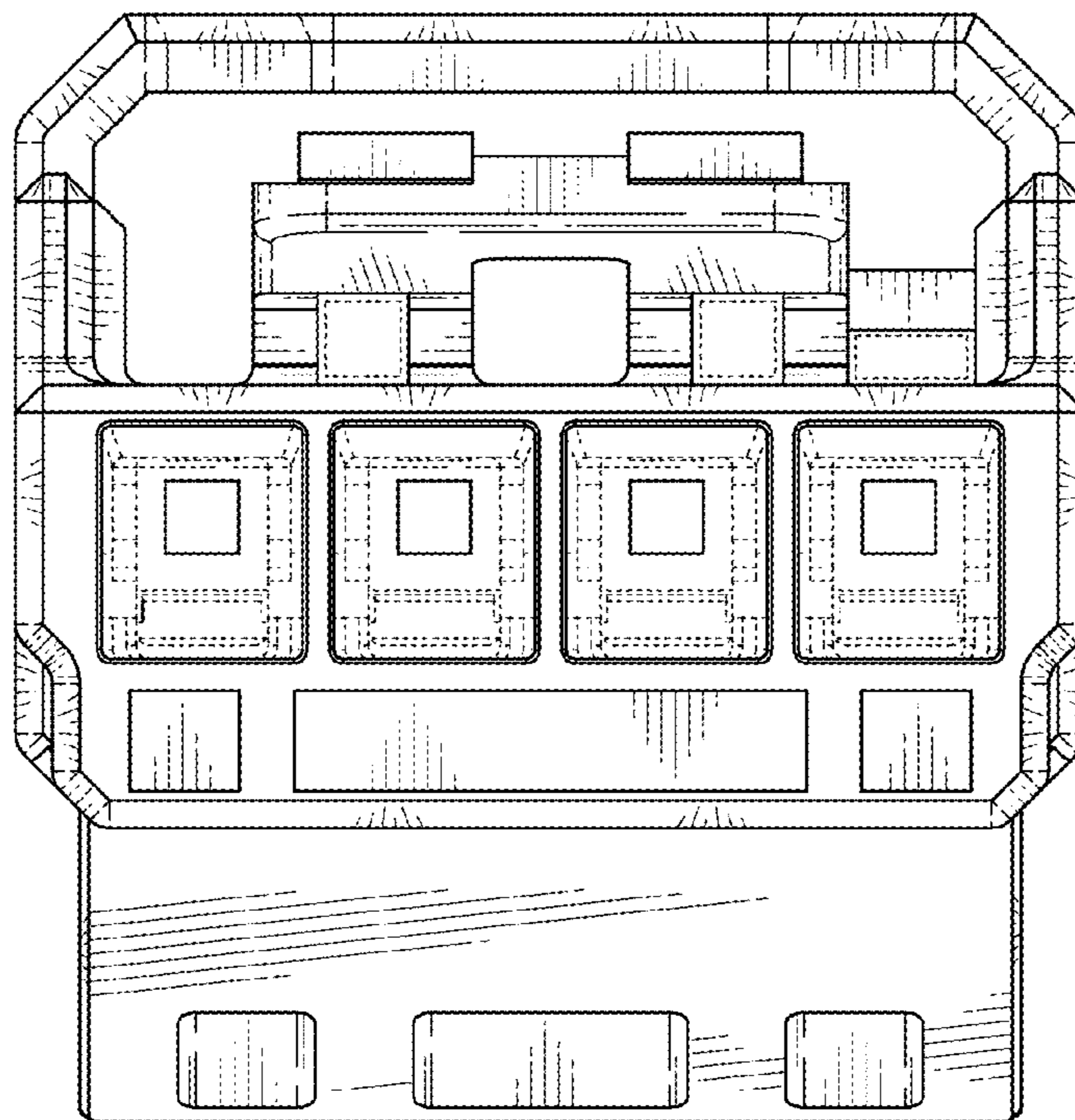


FIG. 2

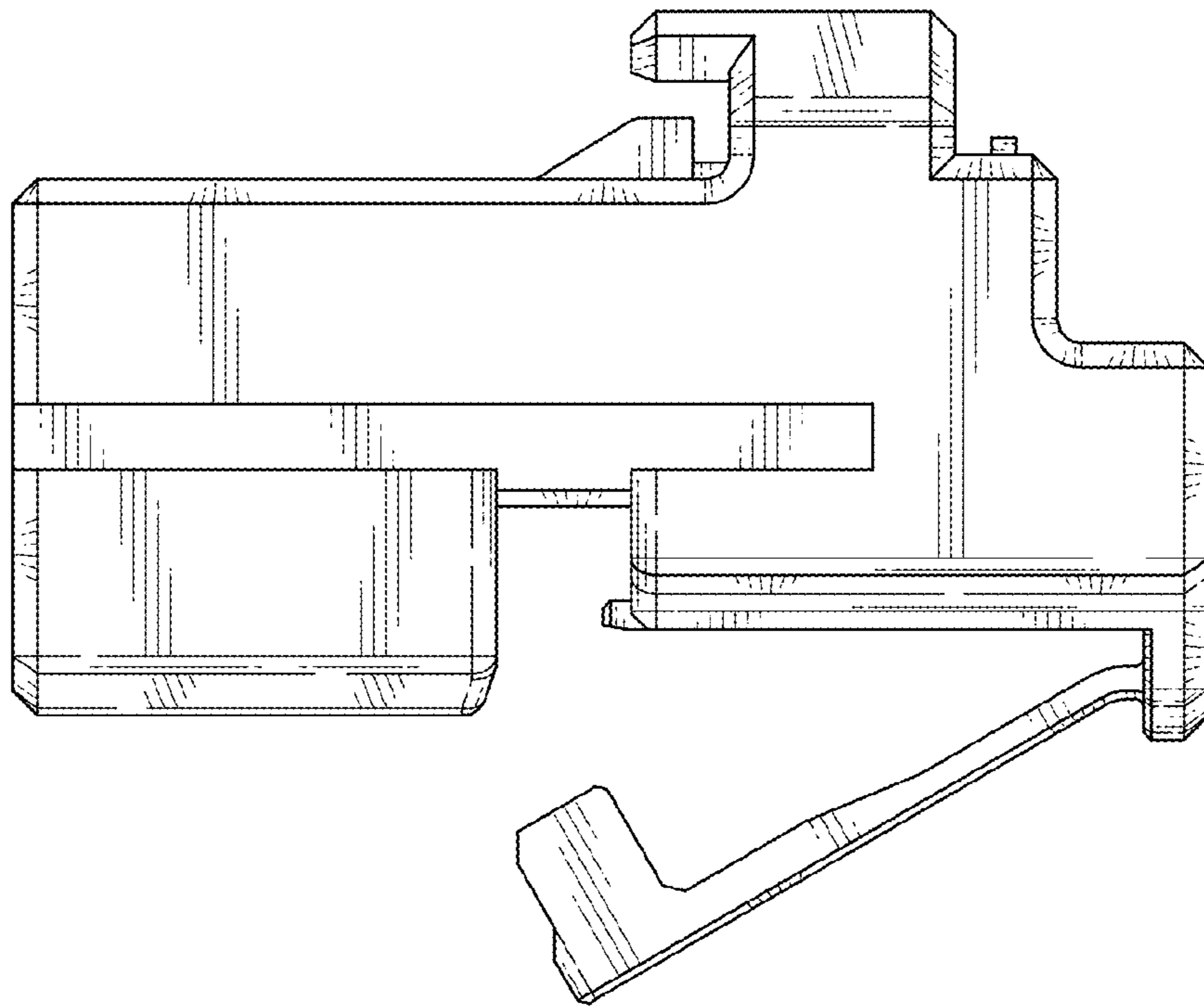


FIG. 3

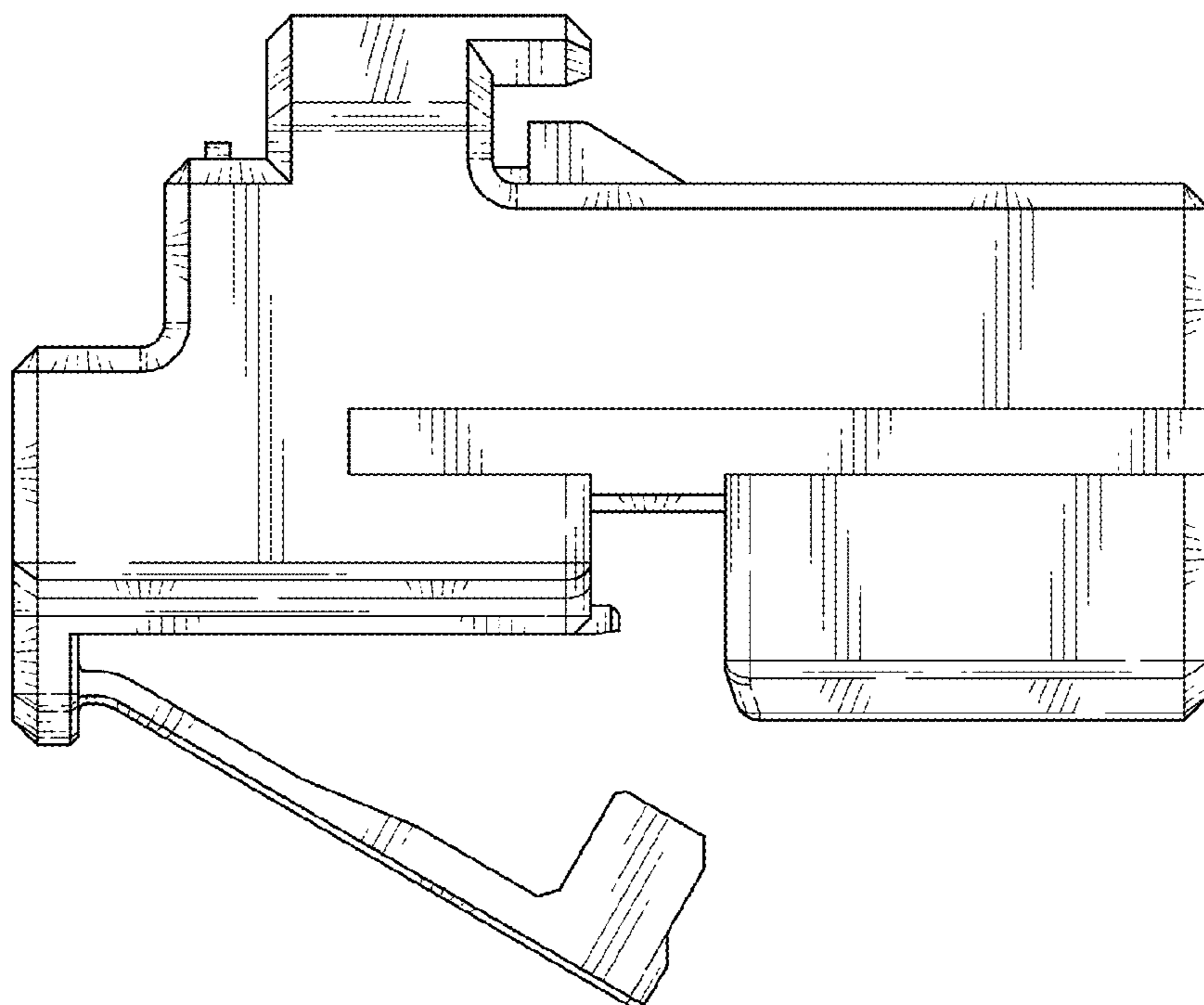


FIG. 4

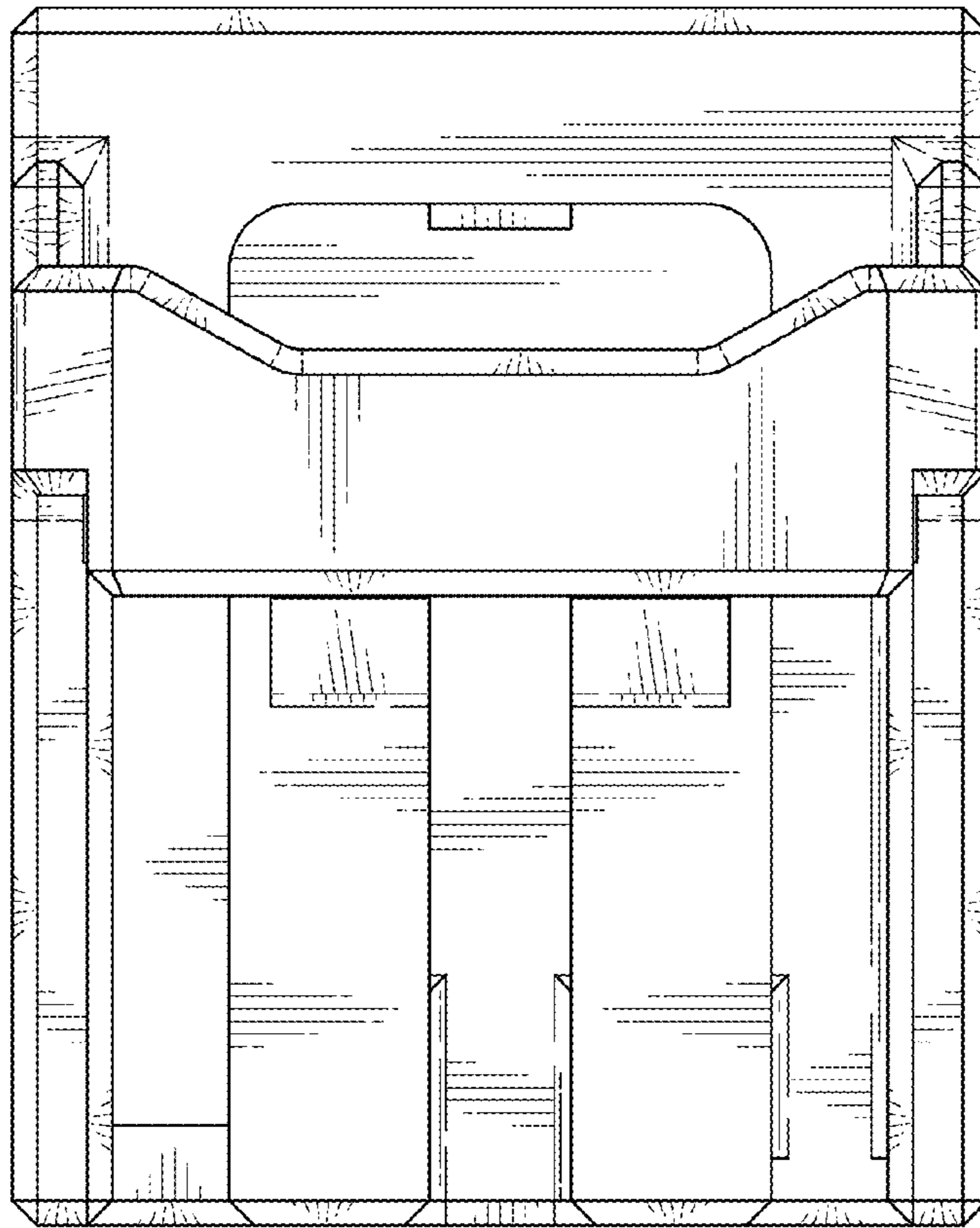


FIG. 5

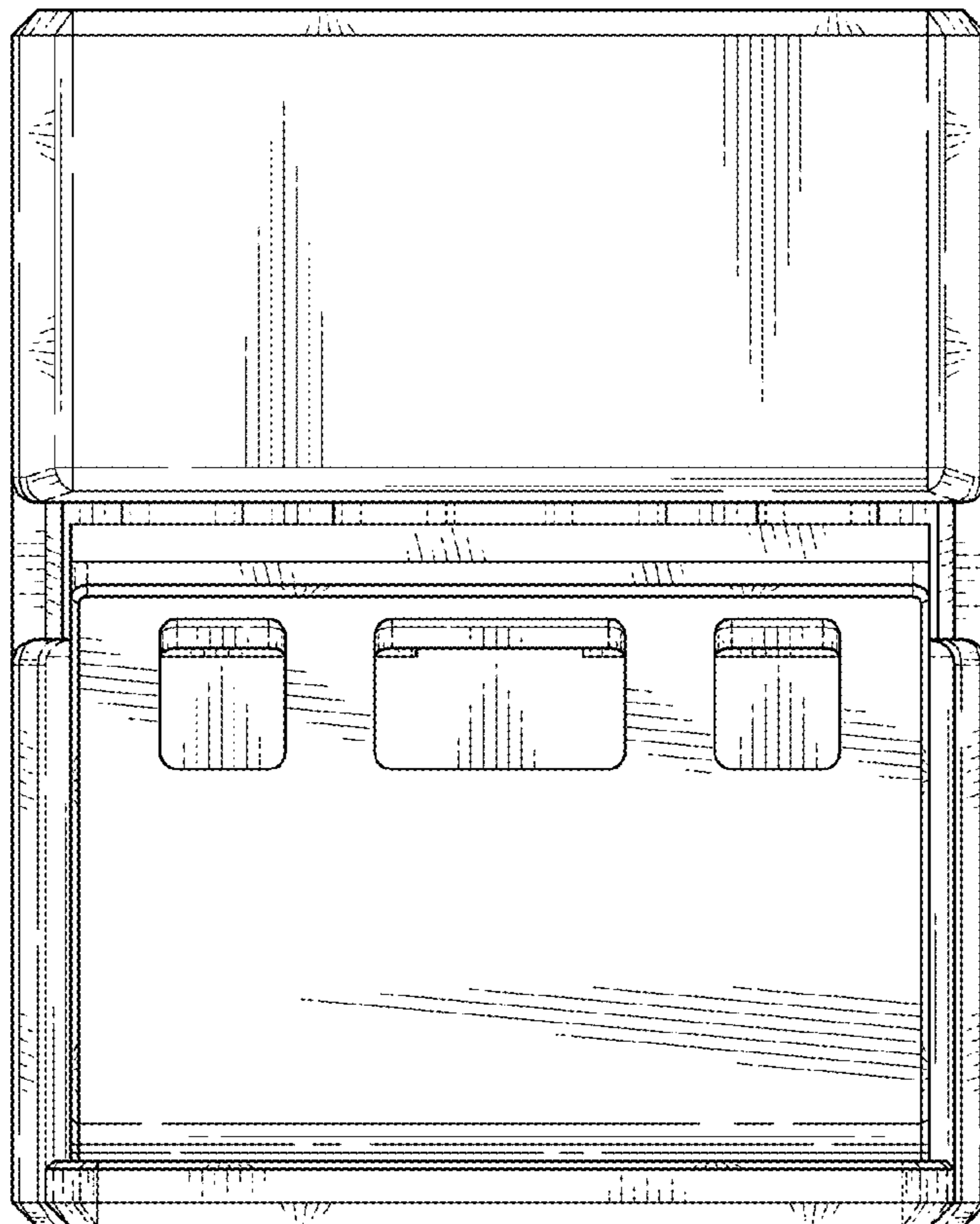


FIG. 6

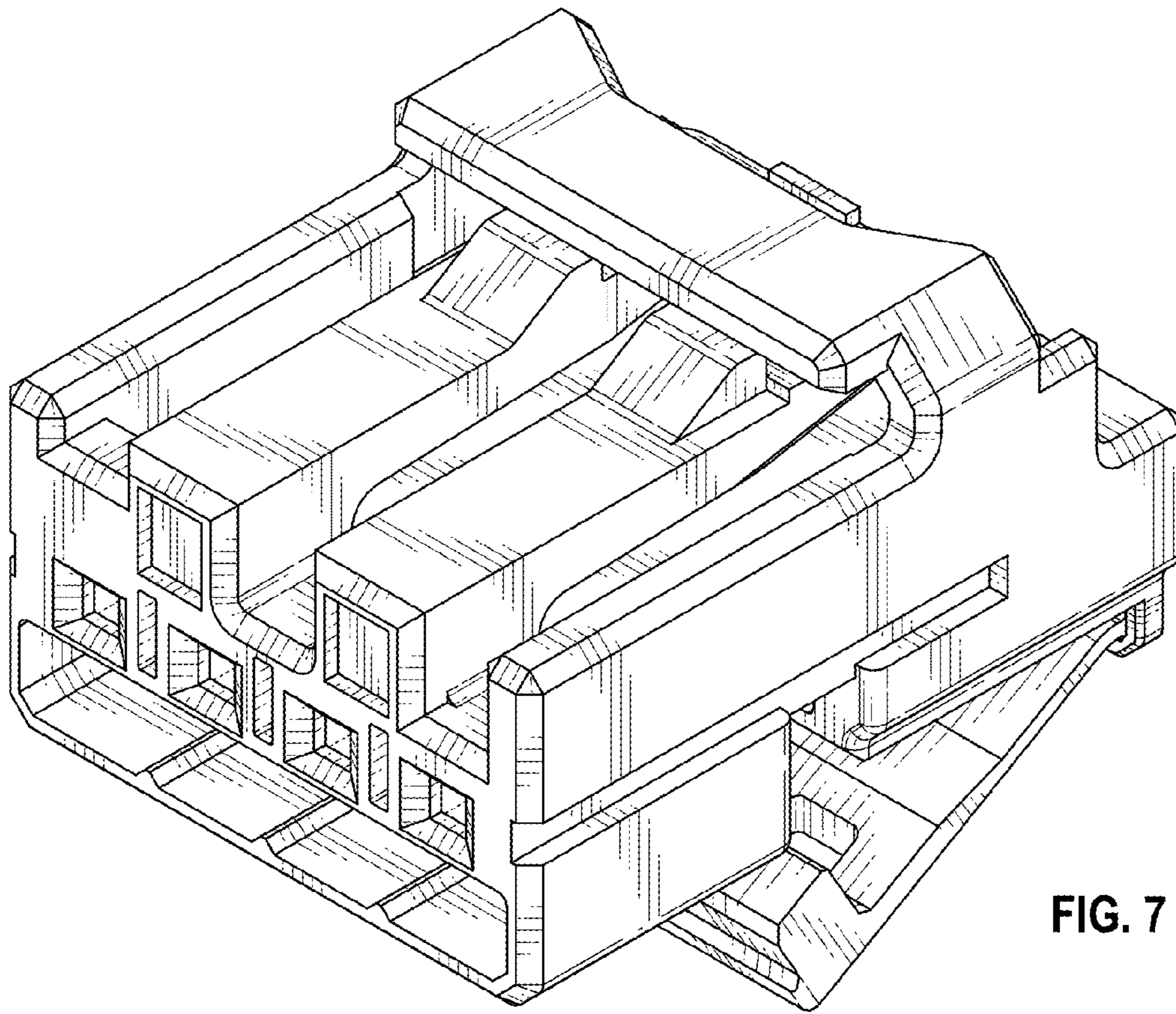


FIG. 7

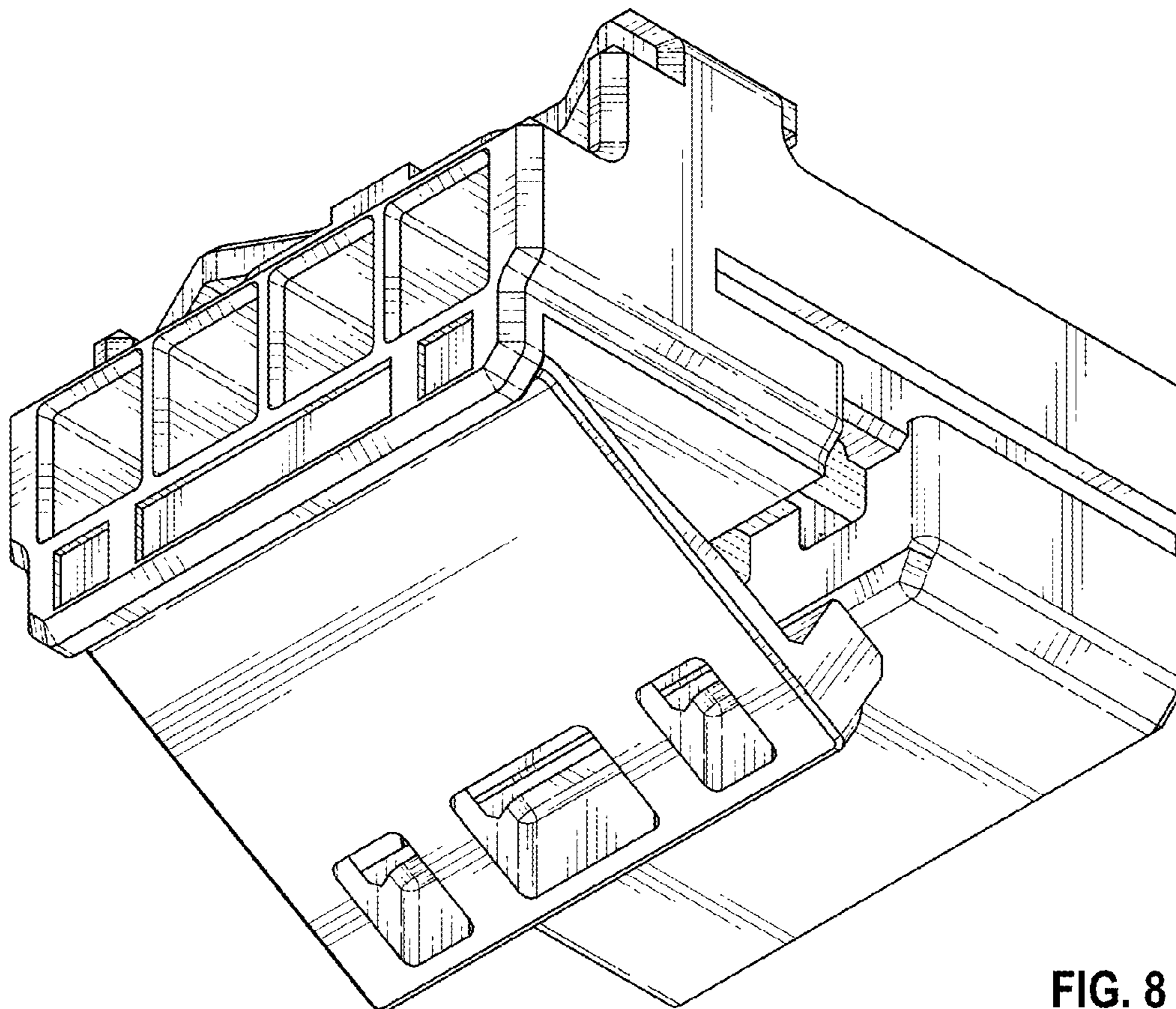


FIG. 8

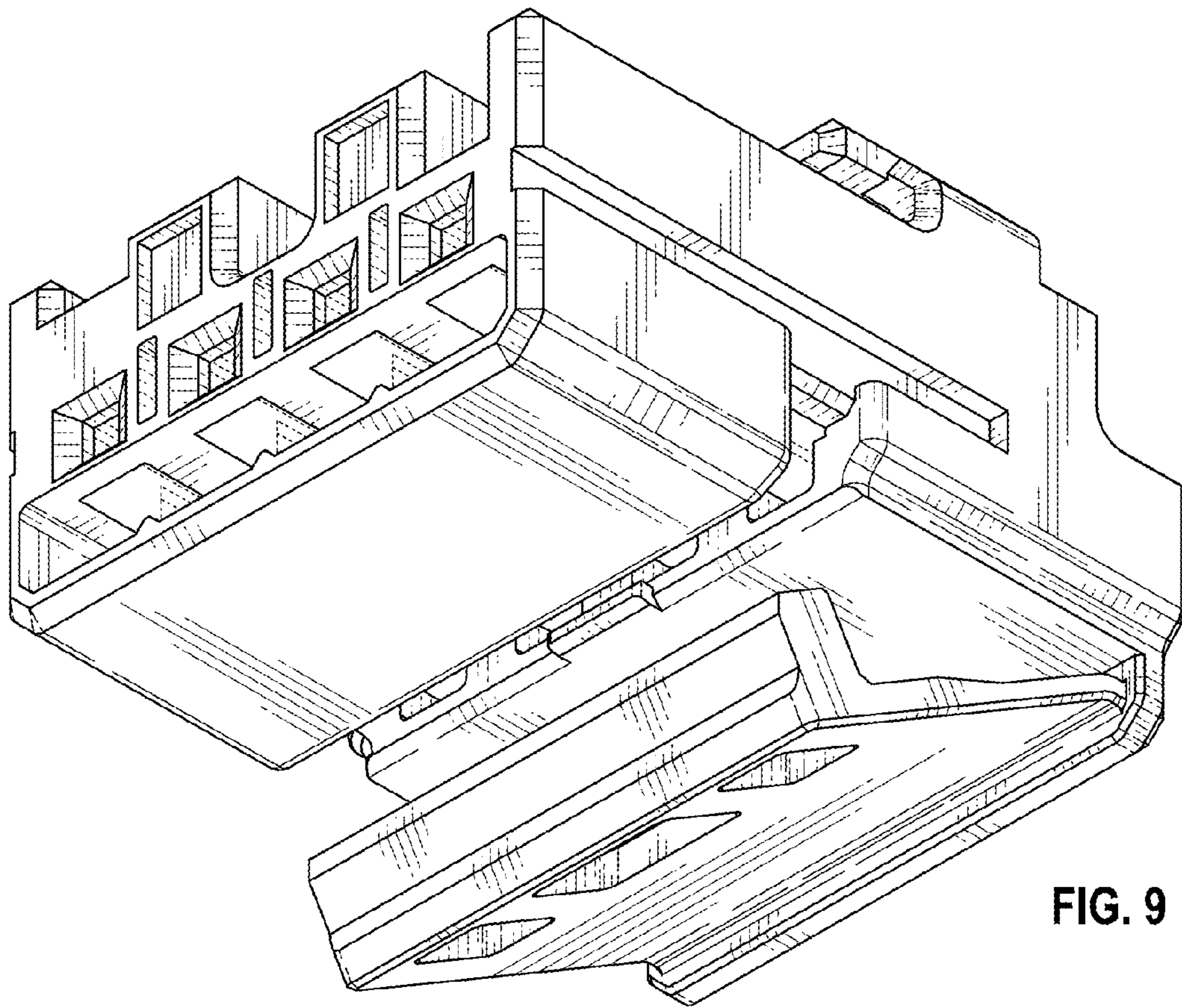


FIG. 9

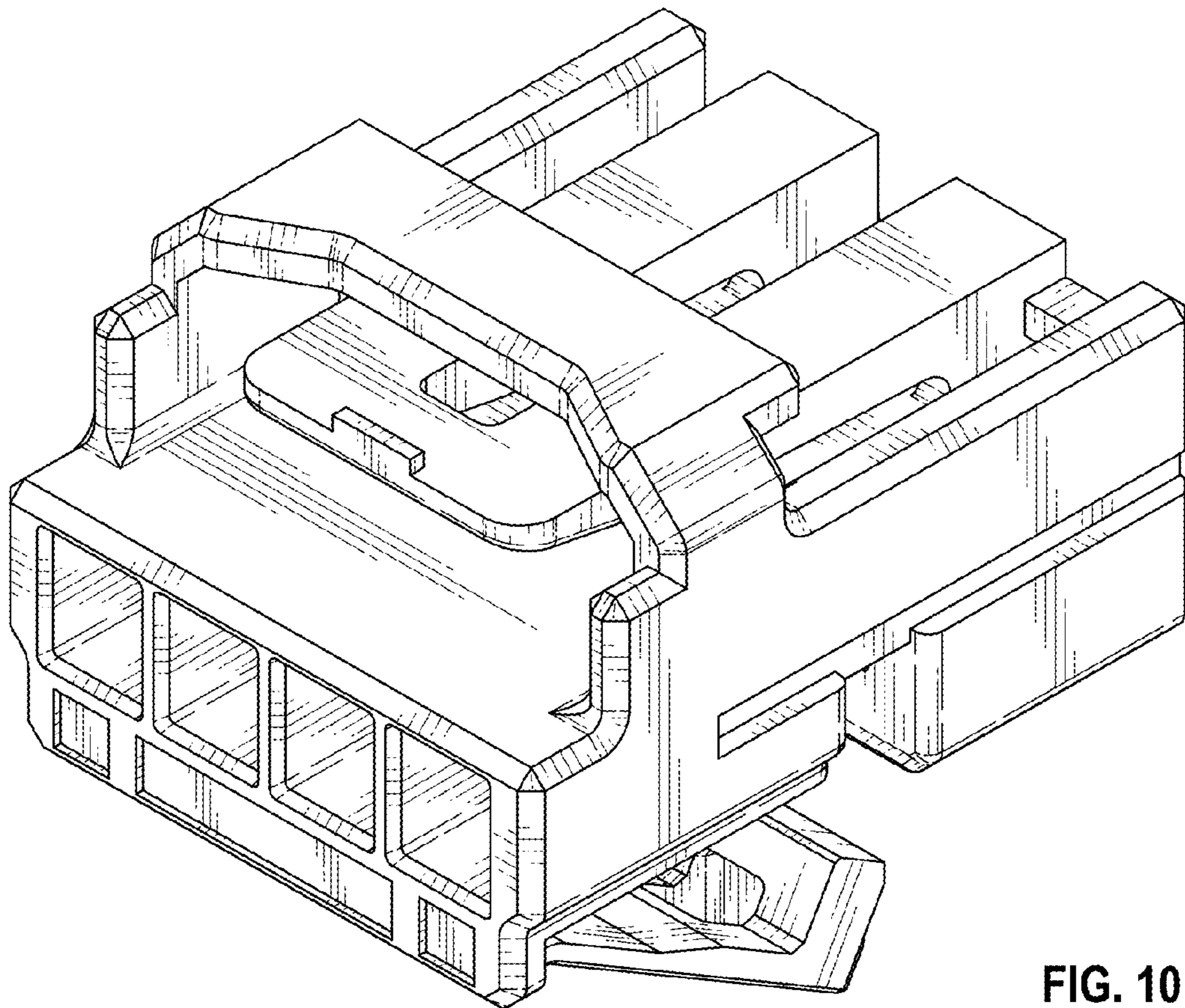


FIG. 10

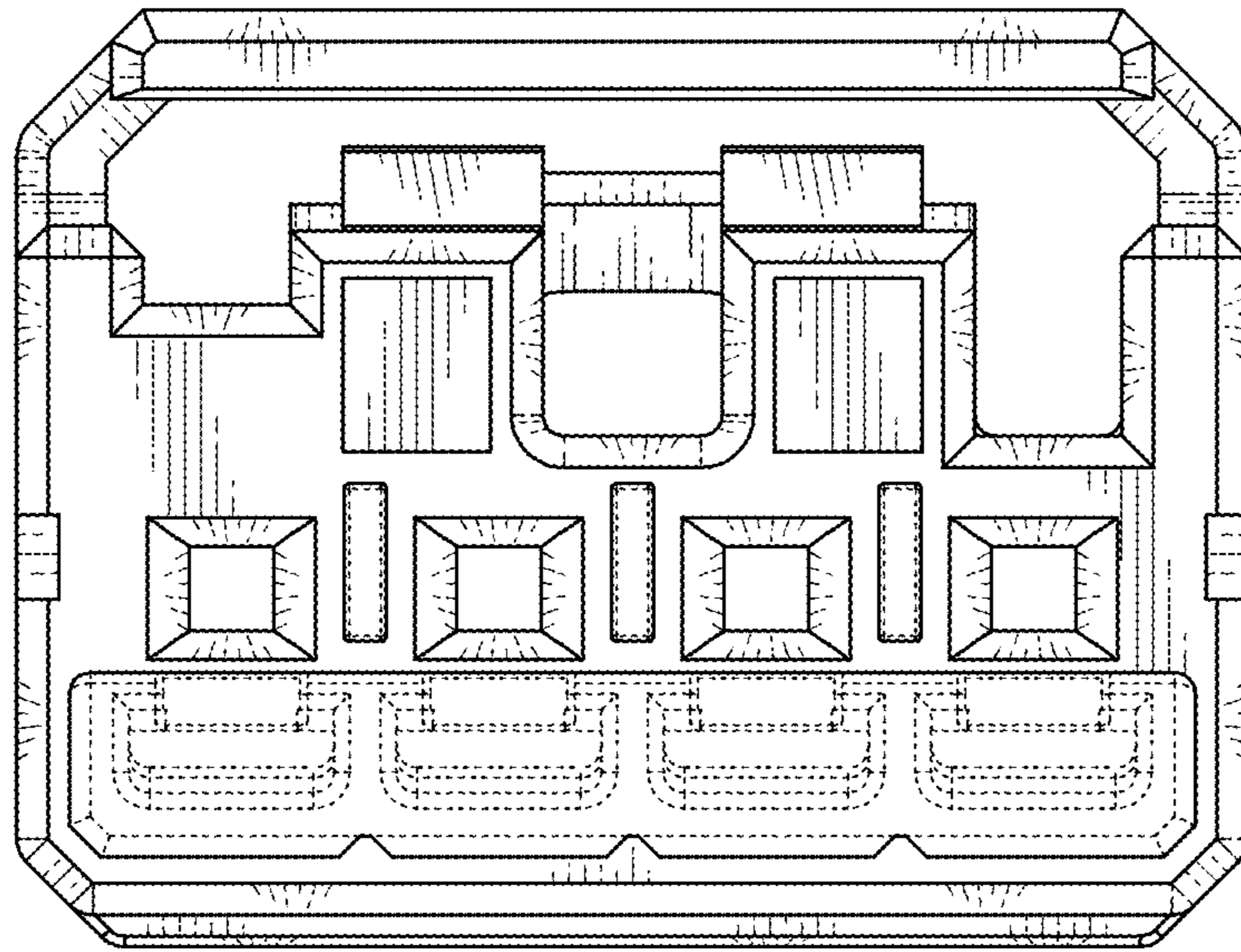


FIG. 11

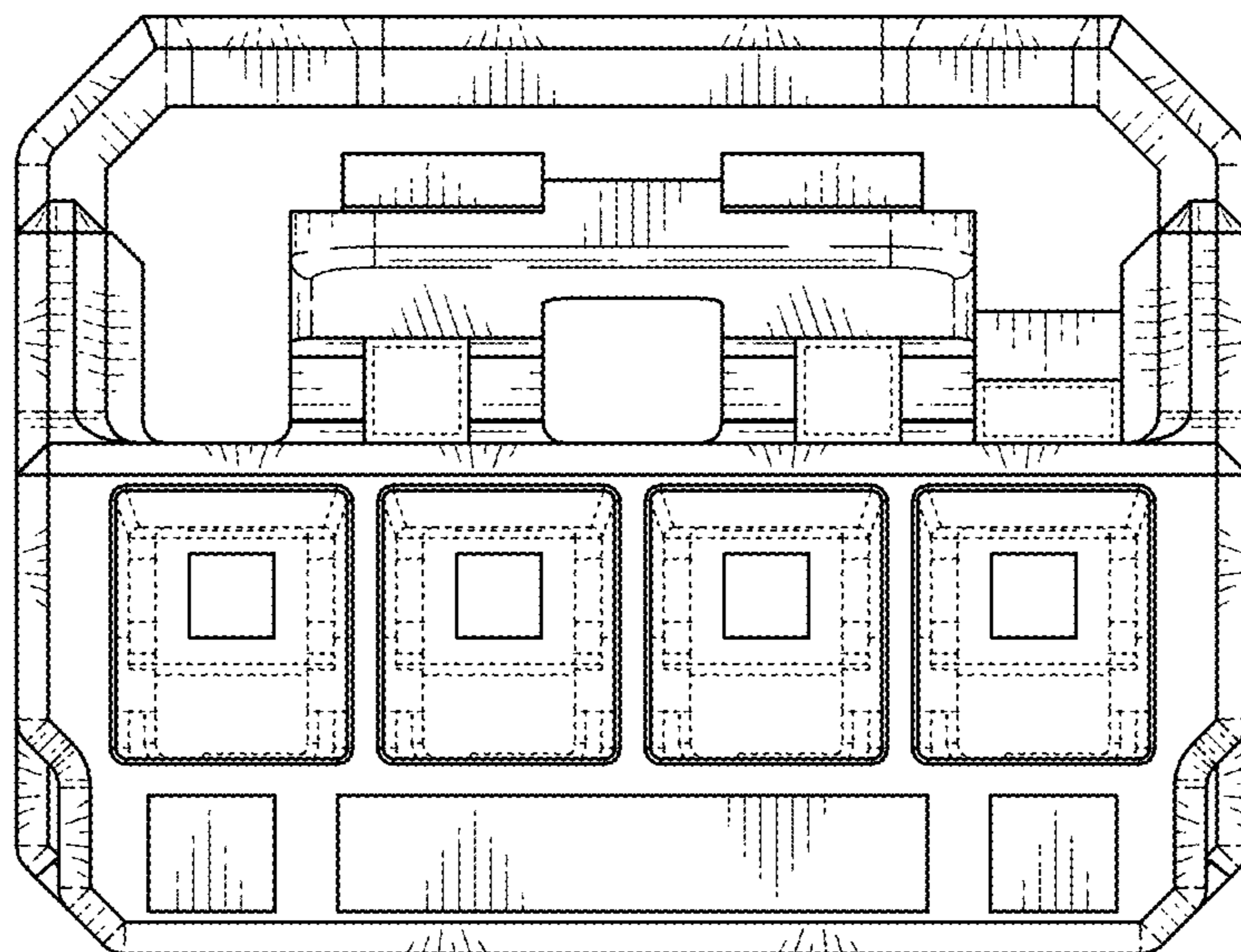


FIG. 12

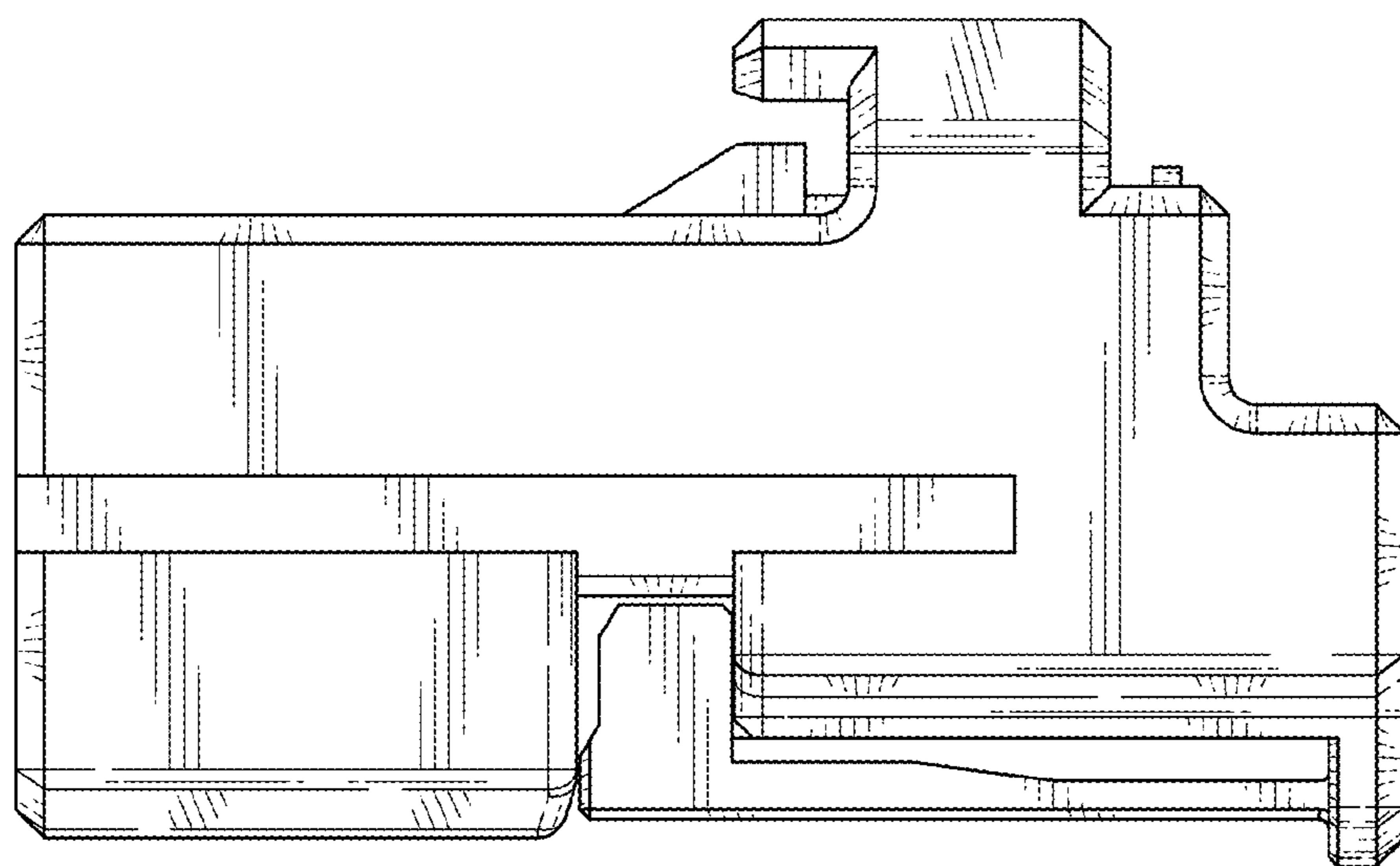


FIG. 13

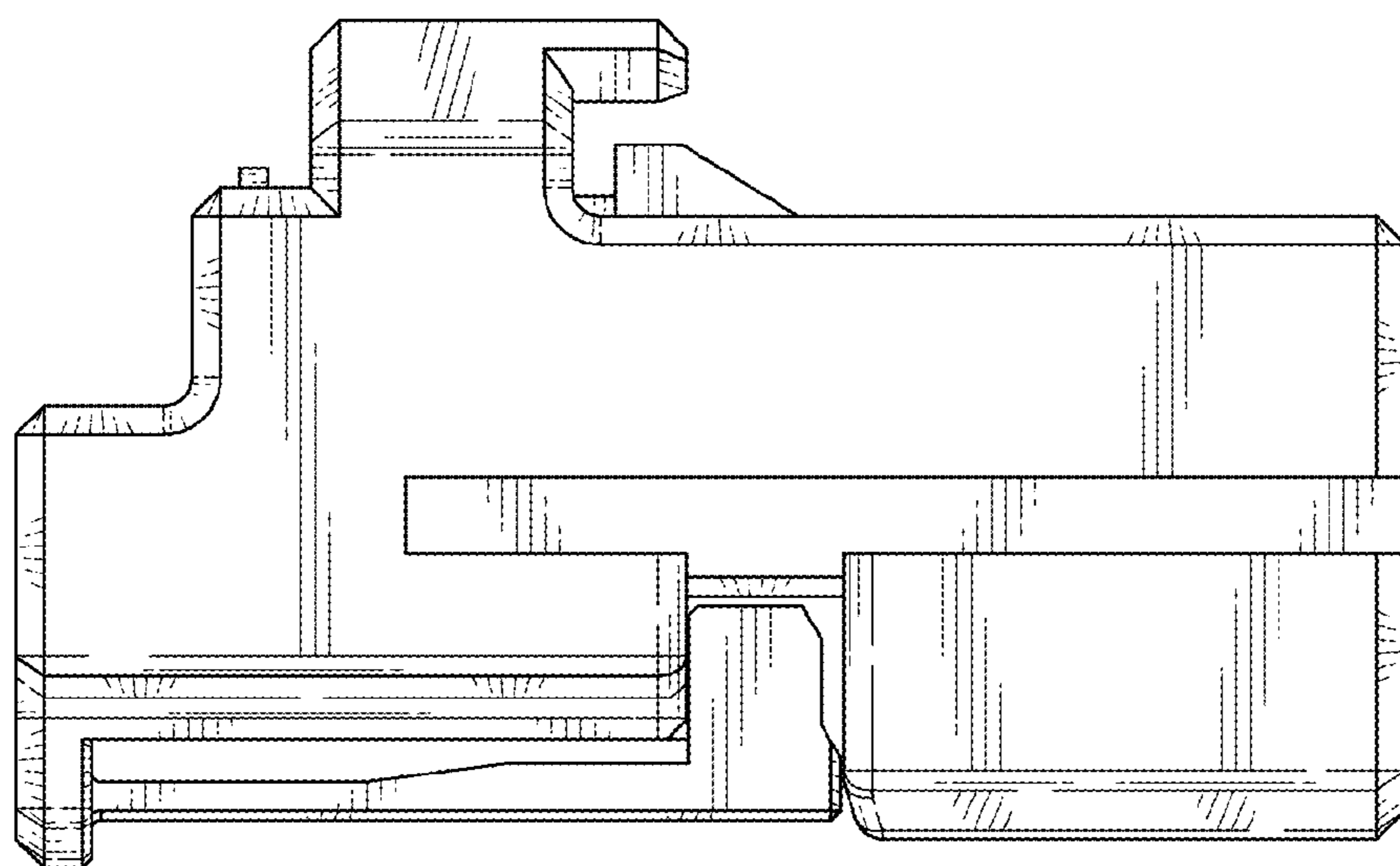


FIG. 14

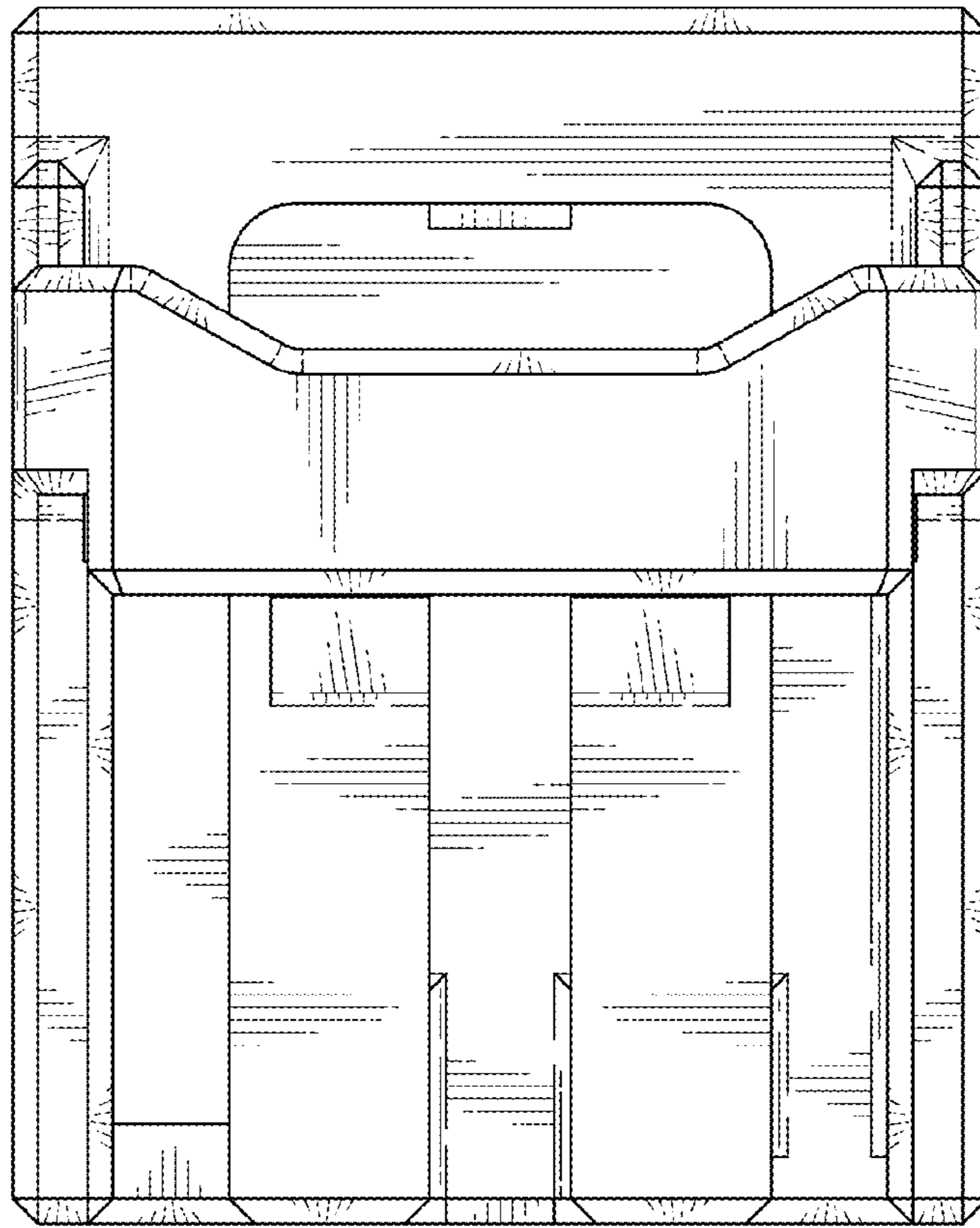


FIG. 15

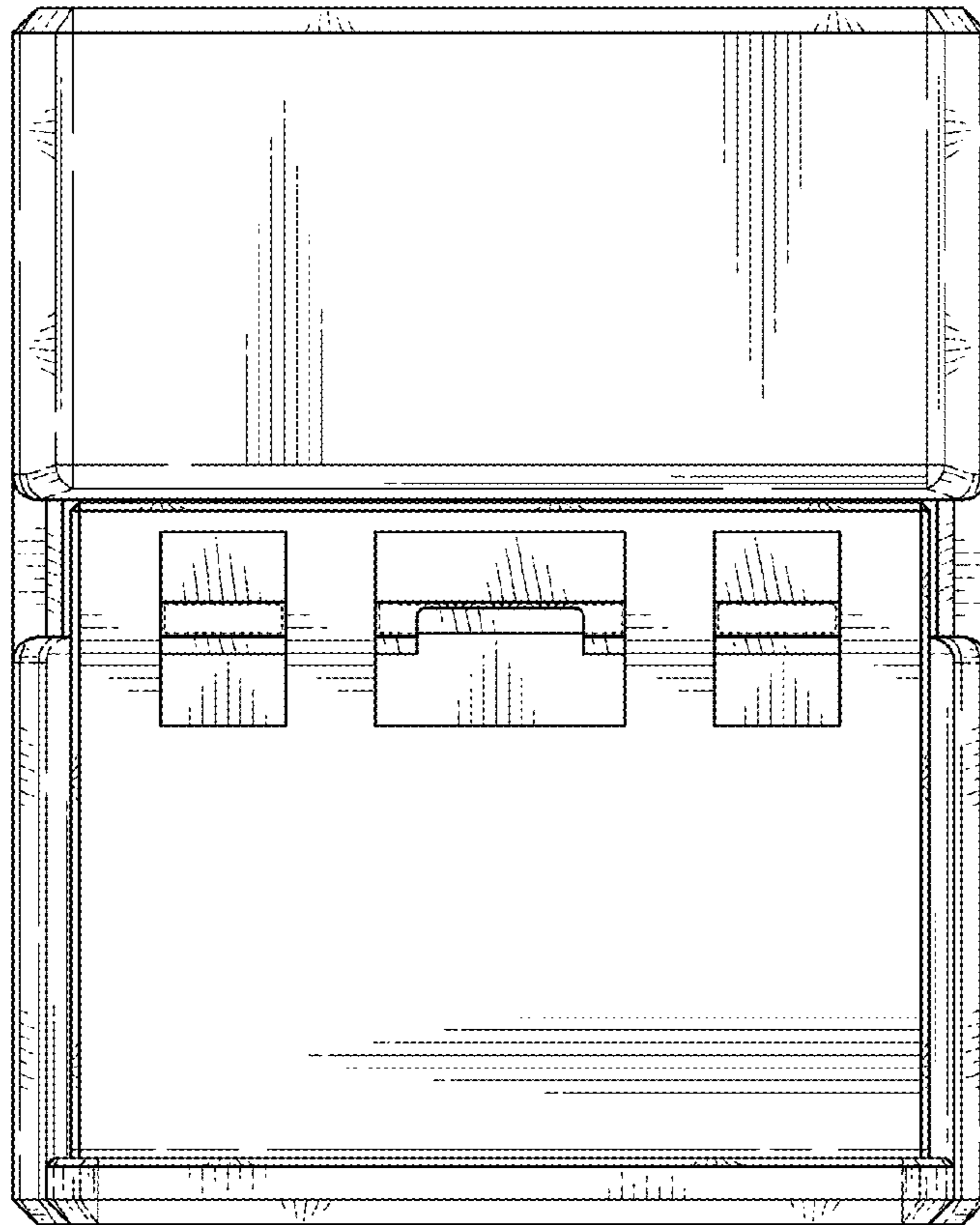


FIG. 16

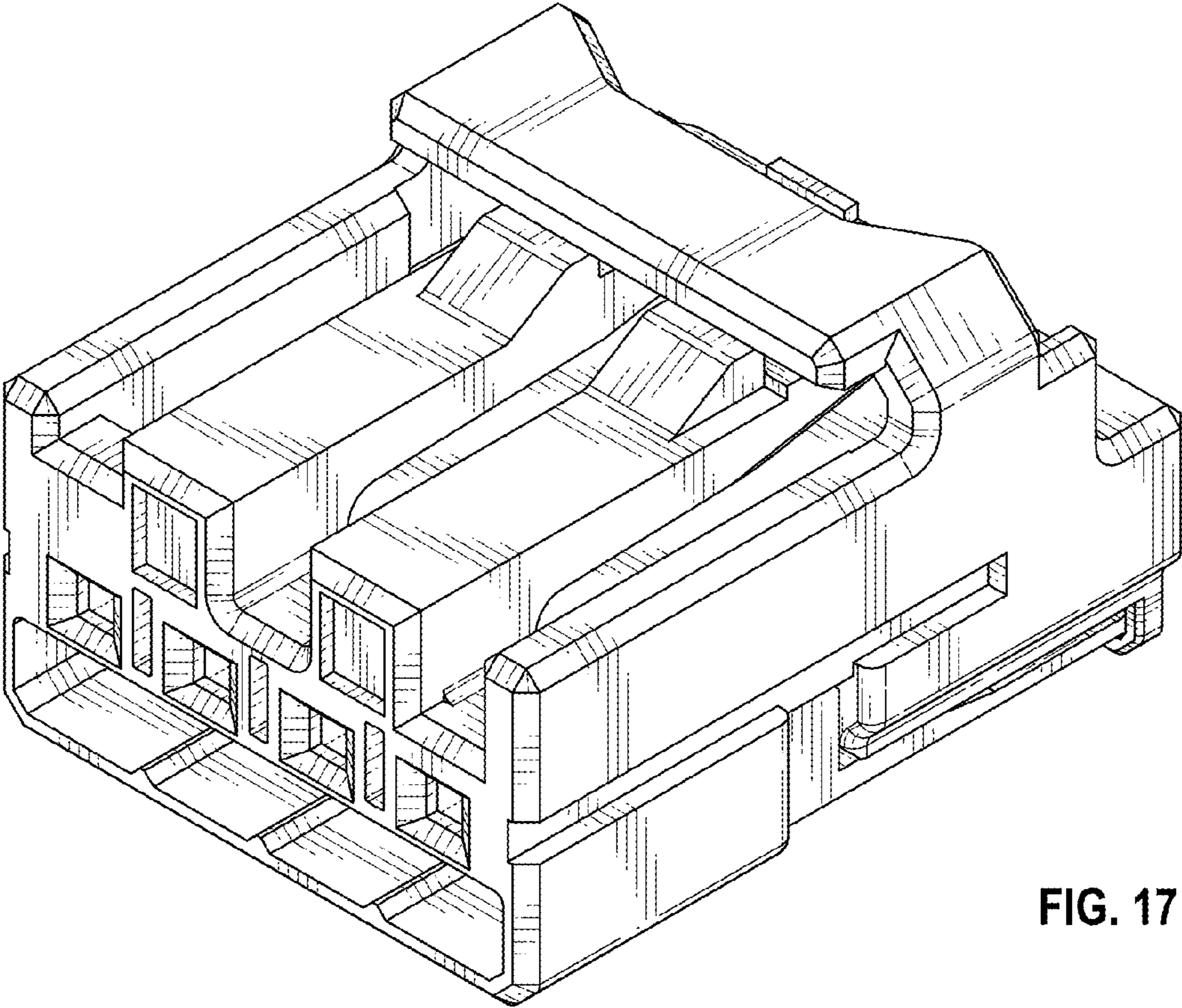


FIG. 17

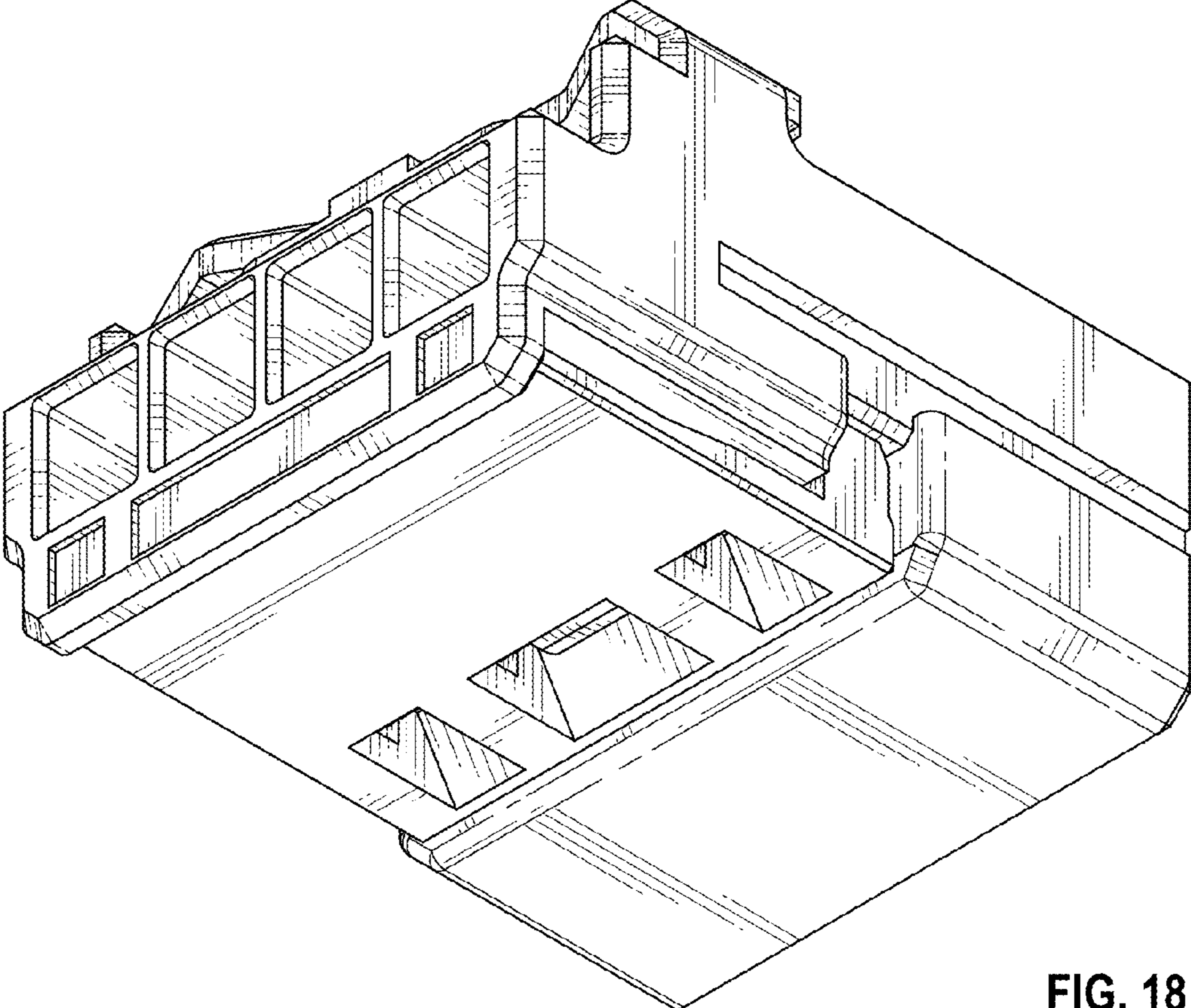


FIG. 18

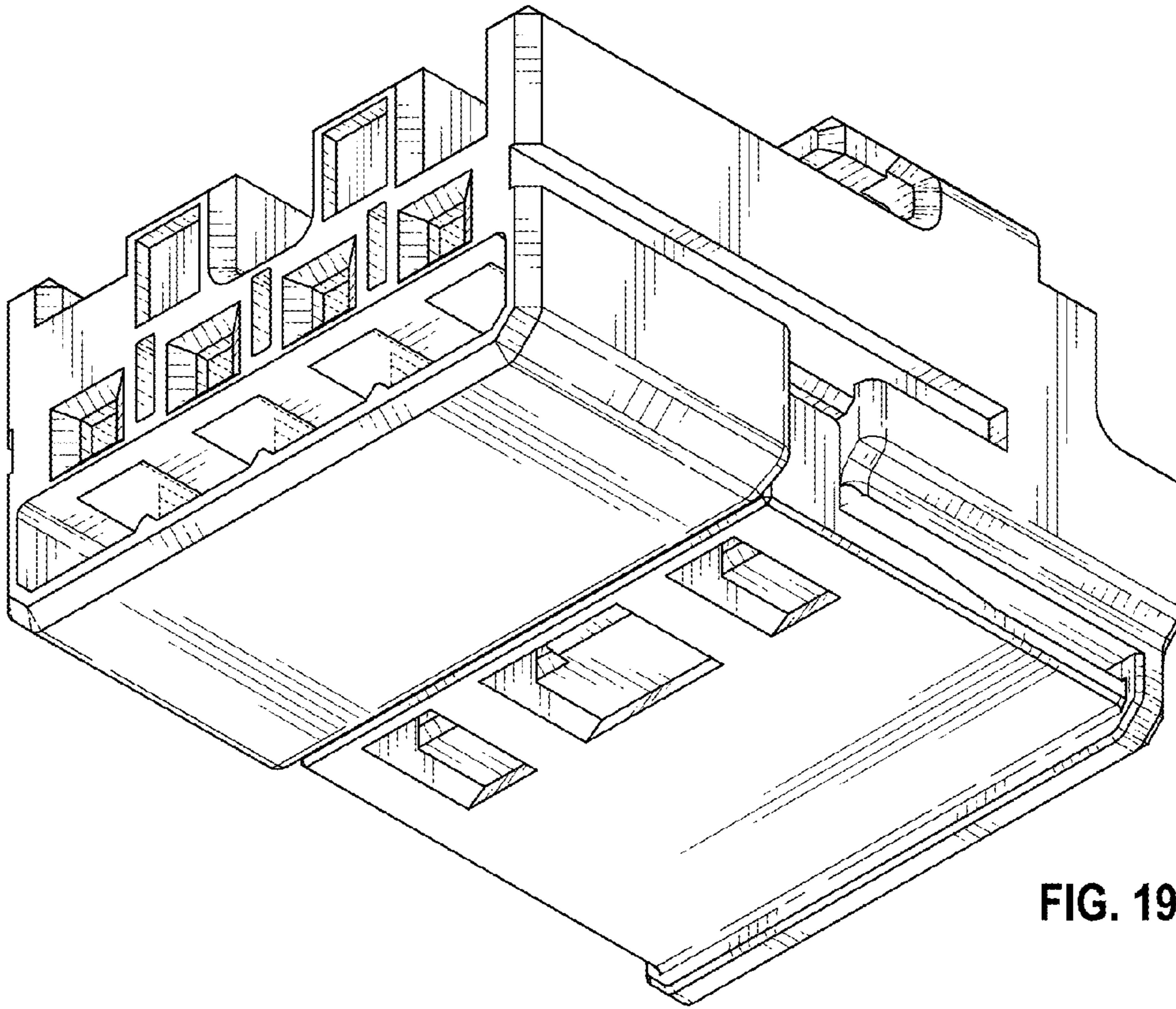


FIG. 19

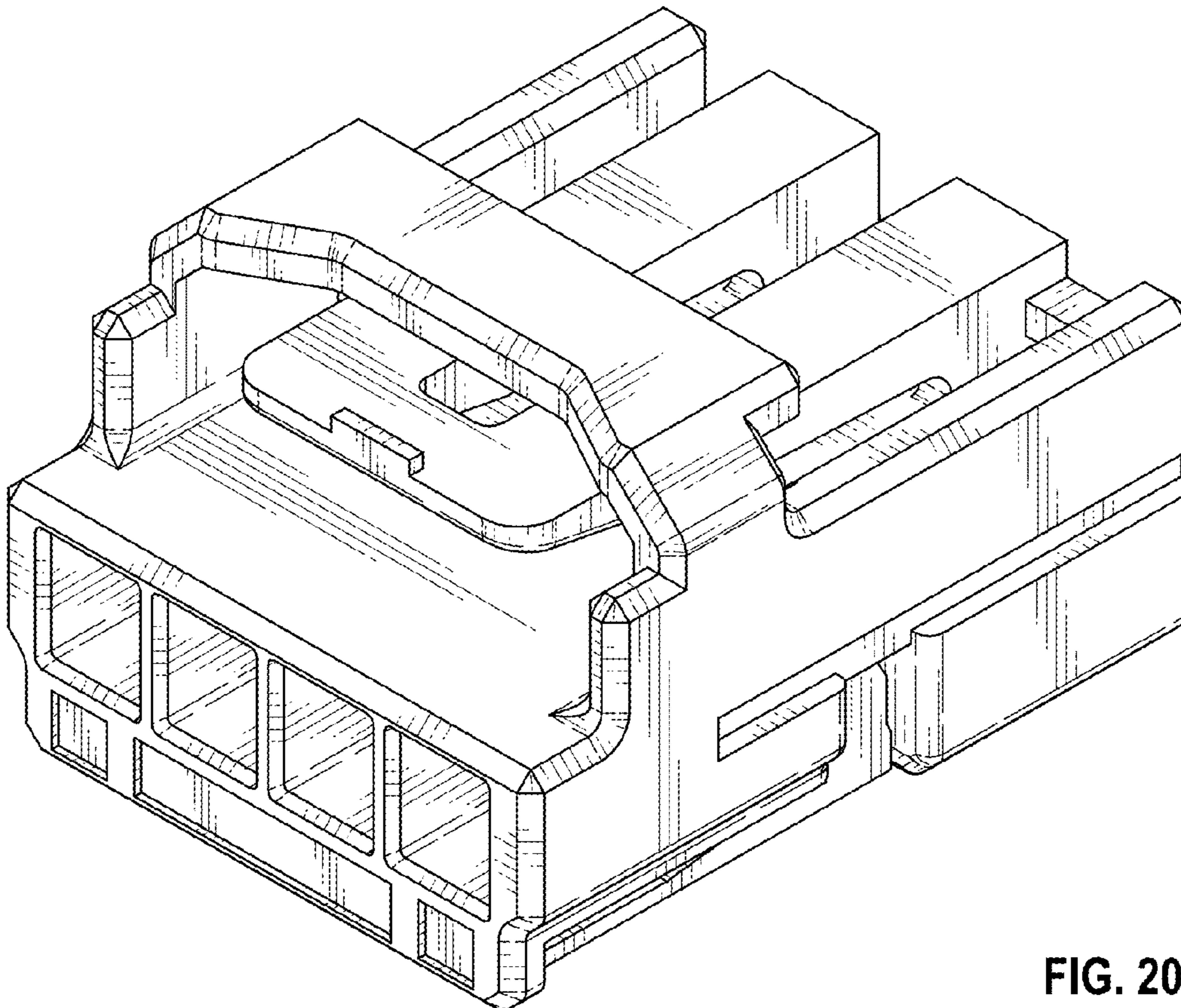


FIG. 20