



US00D913951S

(12) **United States Design Patent** (10) **Patent No.:** **US D913,951 S**  
**Chen et al.** (45) **Date of Patent:** **\*\* Mar. 23, 2021**

(54) **TERMINAL**

(71) Applicant: **STARCONN ELECTRONIC (SU ZHOU) CO., LTD**, Jiangsu Province (CN)

(72) Inventors: **Chih-Wei Chen**, New Taipei (TW); **Chung-Nan Pao**, New Taipei (TW); **Yueh-Lin Yang**, New Taipei (TW); **Yu-Hsiung Lin**, New Taipei (TW); **Kai Wu**, Guangdong (CN)

(73) Assignee: **STARCONN ELECTRONIC (SU ZHOU) CO., LTD**, Jiangsu Province (CN)

(\*\*) Term: **15 Years**

(21) Appl. No.: **29/673,391**

(22) Filed: **Dec. 14, 2018**

(51) **LOC (13) Cl.** ..... **13-03**

(52) **U.S. Cl.**  
USPC ..... **D13/147**

(58) **Field of Classification Search**  
USPC ..... D13/110, 120, 123, 133, 154, 118, 146, D13/147, 149, 153, 178, 184, 199  
CPC ..... H01R 4/183; H01R 4/184; H01R 4/185; H01R 13/6471; H01R 13/6585  
See application file for complete search history.

(56) **References Cited**

U.S. PATENT DOCUMENTS

6,471,549 B1 \* 10/2002 Lappohn ..... H01R 13/6585 439/607.05  
D550,628 S \* 9/2007 Whiteman, Jr. .... D13/147  
7,530,846 B1 \* 5/2009 Chen ..... H01R 23/688 439/607.05  
D626,088 S \* 10/2010 Luo ..... D13/154  
D655,248 S \* 3/2012 Chiang ..... D13/146

8,348,700 B1 \* 1/2013 Chiang ..... H01R 13/6581 439/607.08  
D683,705 S \* 6/2013 Katagiyama ..... D13/154  
D737,205 S \* 8/2015 Hoppmann ..... D13/133  
D744,426 S \* 12/2015 Yamashita ..... D13/146  
D744,427 S \* 12/2015 Yamashita ..... D13/146  
D745,852 S \* 12/2015 Harper, Jr. .... D13/154  
9,831,608 B1 \* 11/2017 Pickel ..... H01R 13/6473  
10,038,282 B2 \* 7/2018 De Geest ..... H01R 24/00  
D877,084 S \* 3/2020 Buck ..... D13/147  
2008/0280491 A1 \* 11/2008 Chen ..... H01R 13/6585 439/607.05

(Continued)

*Primary Examiner* — Jennifer O King  
(74) *Attorney, Agent, or Firm* — Cantor Colburn LLP

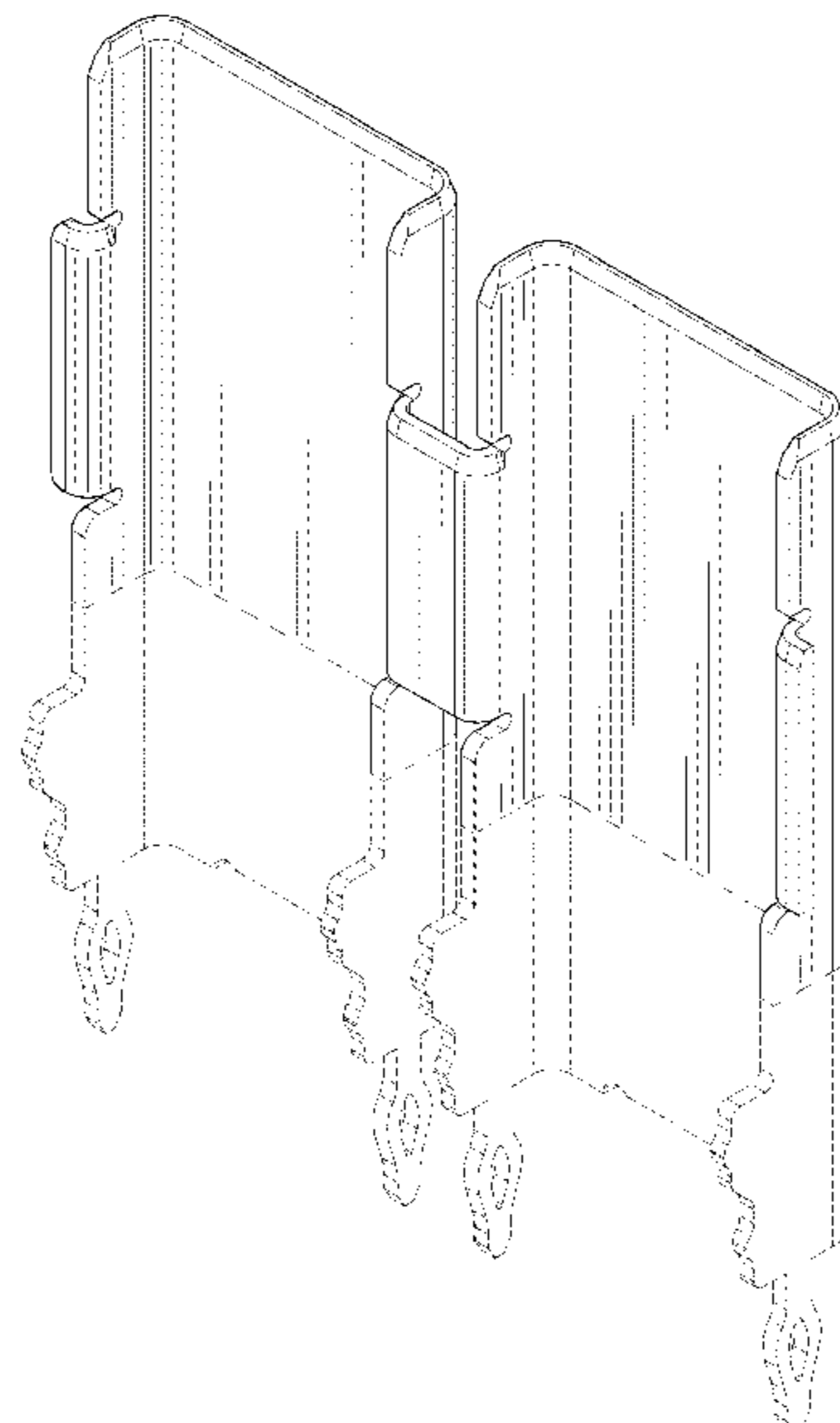
(57) **CLAIM**

The ornamental design for a terminal, as shown and described.

**DESCRIPTION**

FIG. 1 is a front, and top and right side perspective view of a terminal showing our new design;  
FIG. 2 is a front elevational view thereof;  
FIG. 3 is a rear elevational view thereof;  
FIG. 4 is a left side elevational view thereof;  
FIG. 5 is a right side elevational view thereof;  
FIG. 6 is a top plan view thereof;  
FIG. 7 is a bottom plan view thereof;  
FIG. 8 is a rear, bottom and left side perspective view thereof; and,  
FIG. 9 is a front, top and right side perspective view showing the terminal fastened to an electrical connector.  
The broken lines depict portions of the terminal in which the design is embodied that form no part of the claimed design.  
The dot-dash lines represent the boundaries of the claimed design that form no part of the claimed design.  
The shade lines on the surface of the terminal indicate contour and not surface decoration.

**1 Claim, 7 Drawing Sheets**



(56)

**References Cited**

U.S. PATENT DOCUMENTS

2015/0079821 A1\* 3/2015 Pao ..... H01R 13/6587  
439/108

\* cited by examiner

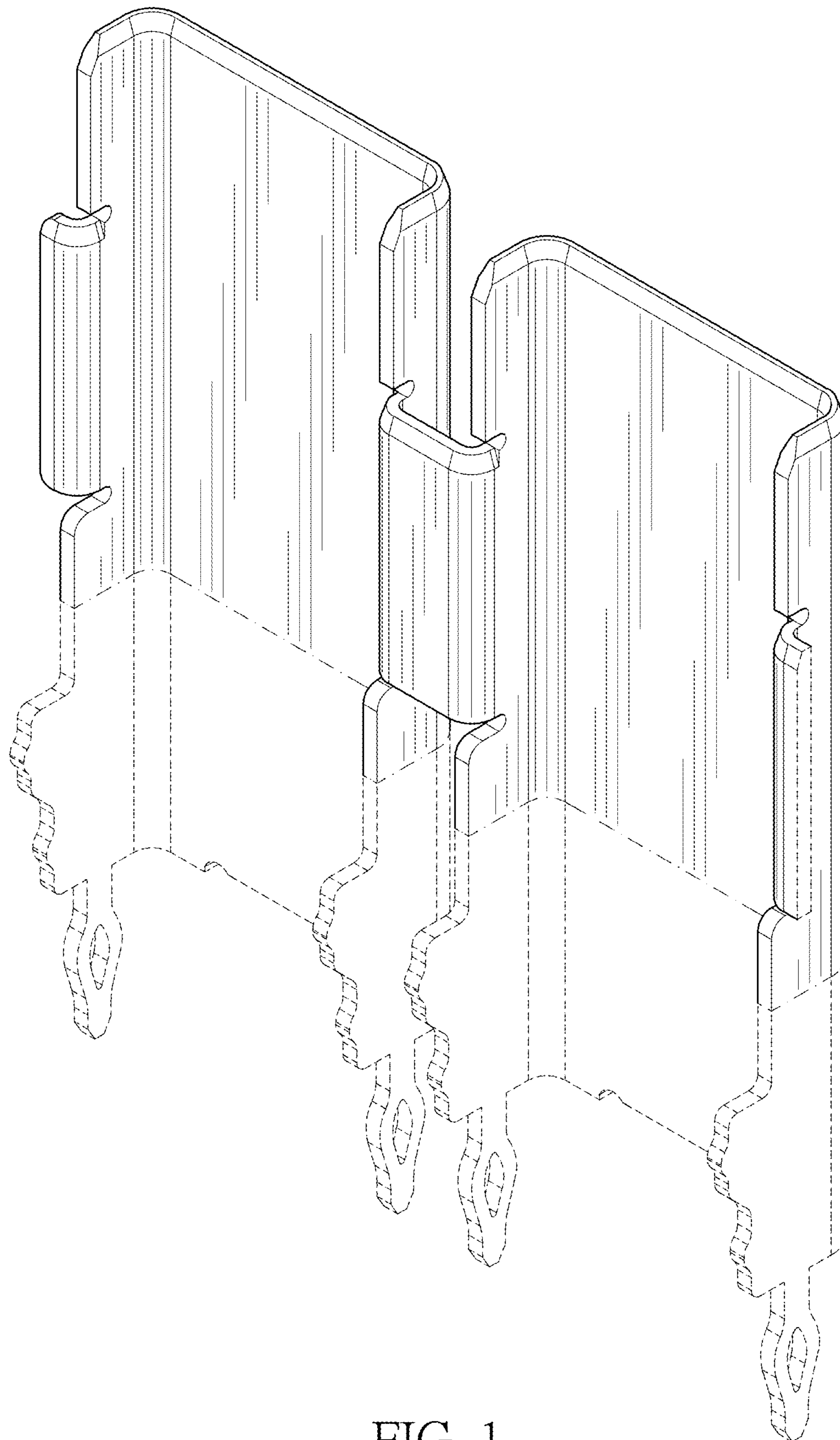


FIG. 1

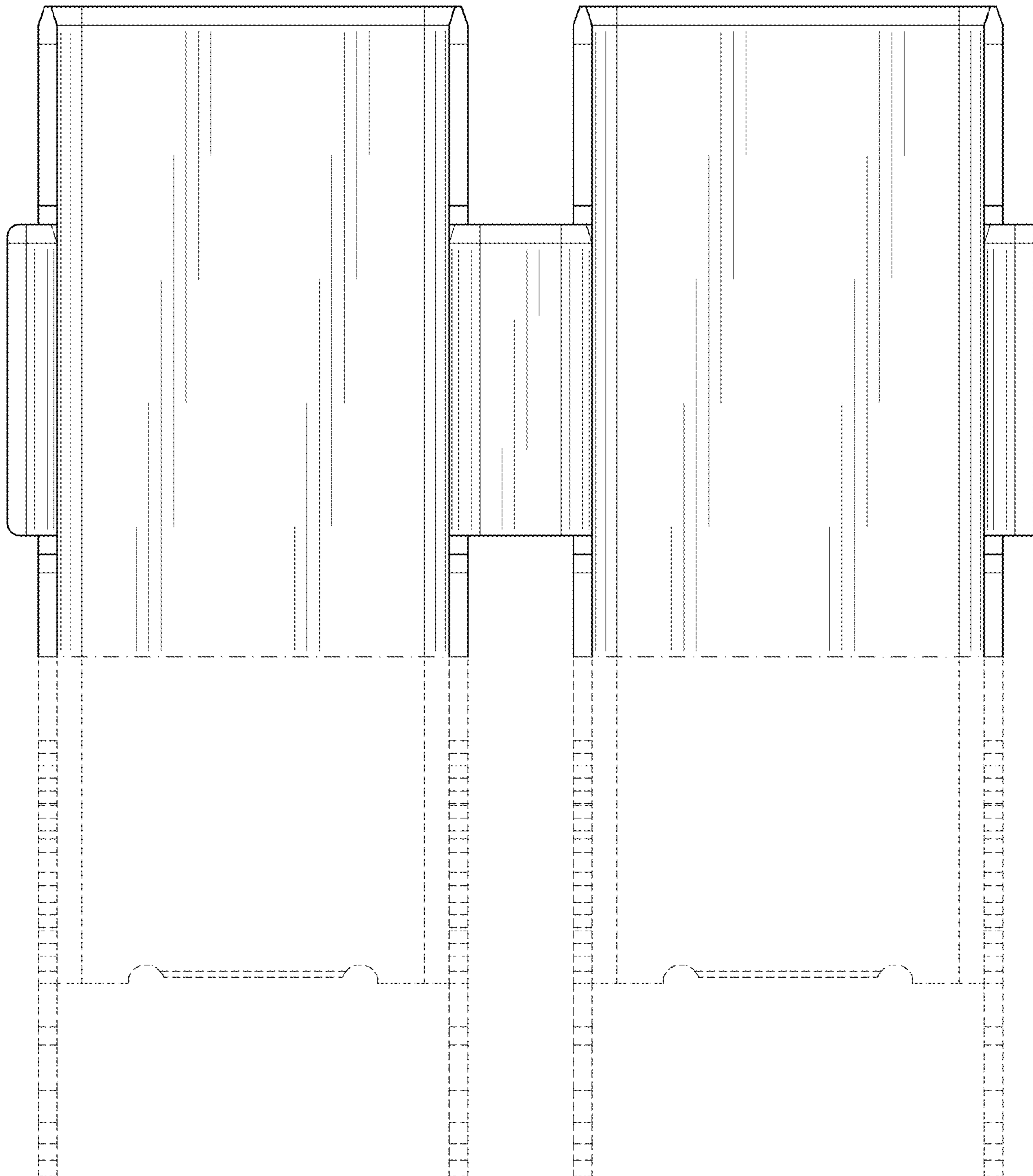


FIG. 2



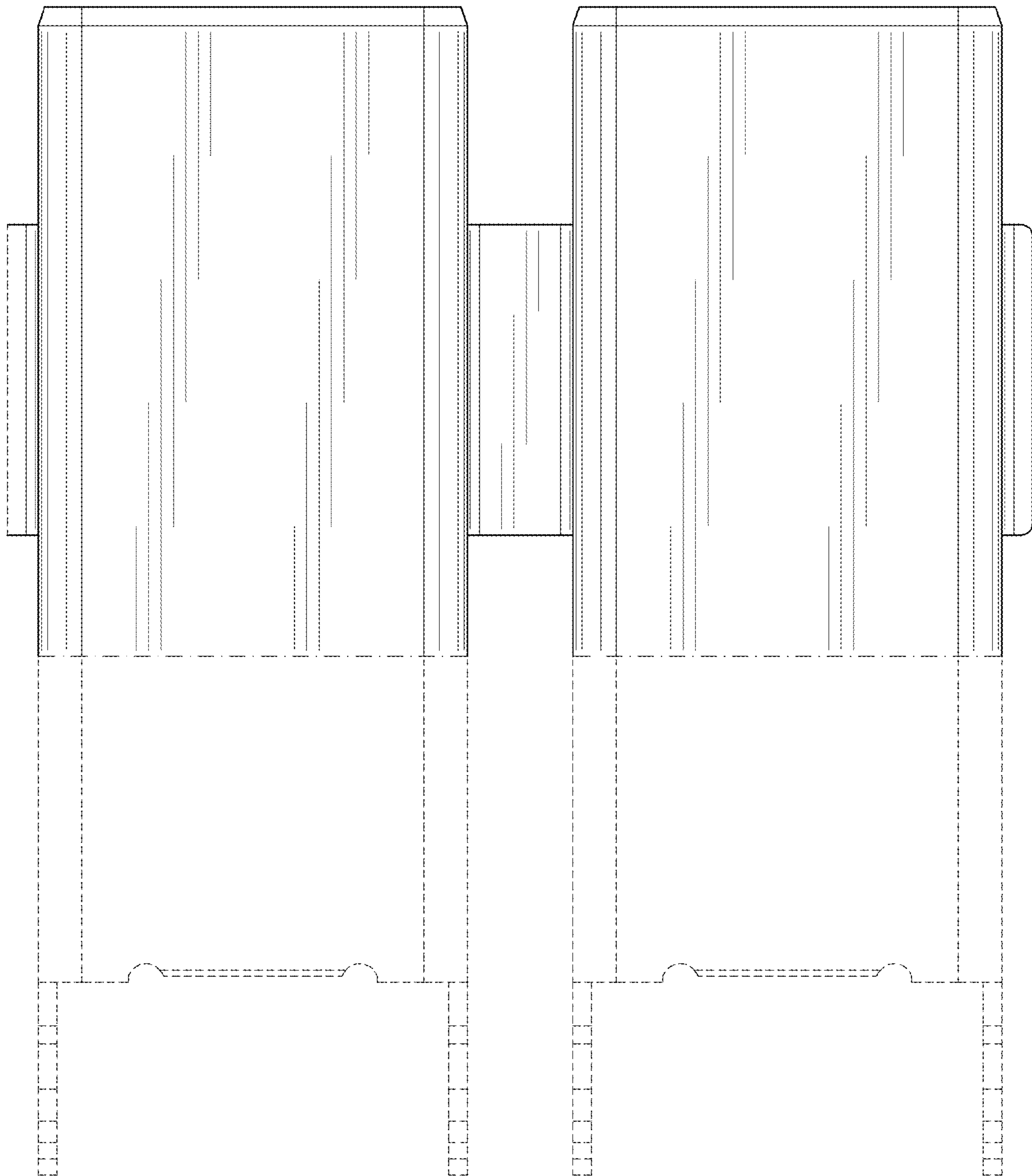


FIG. 3

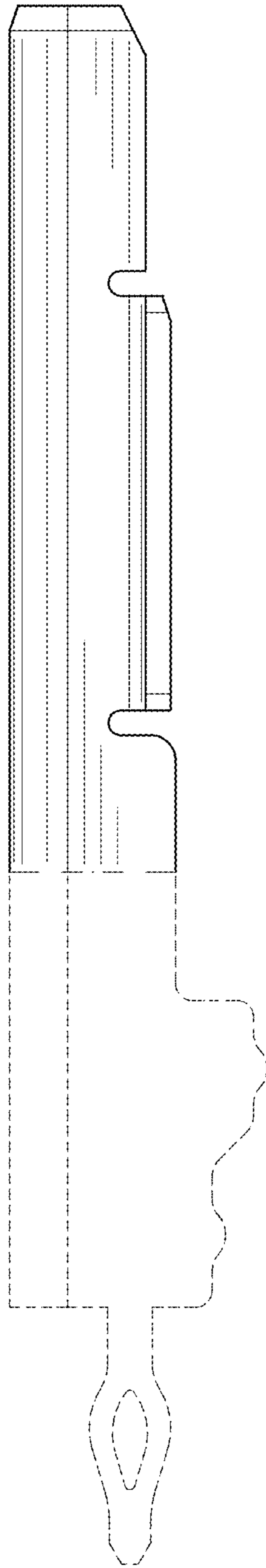


FIG. 4

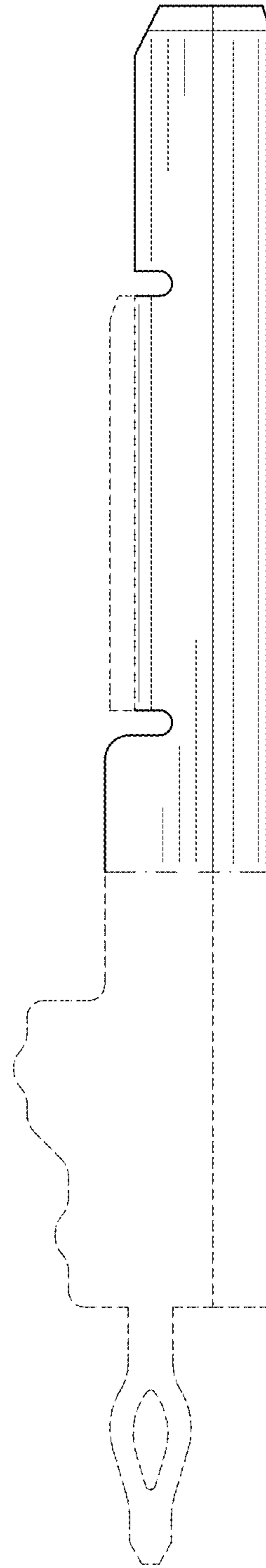


FIG. 5

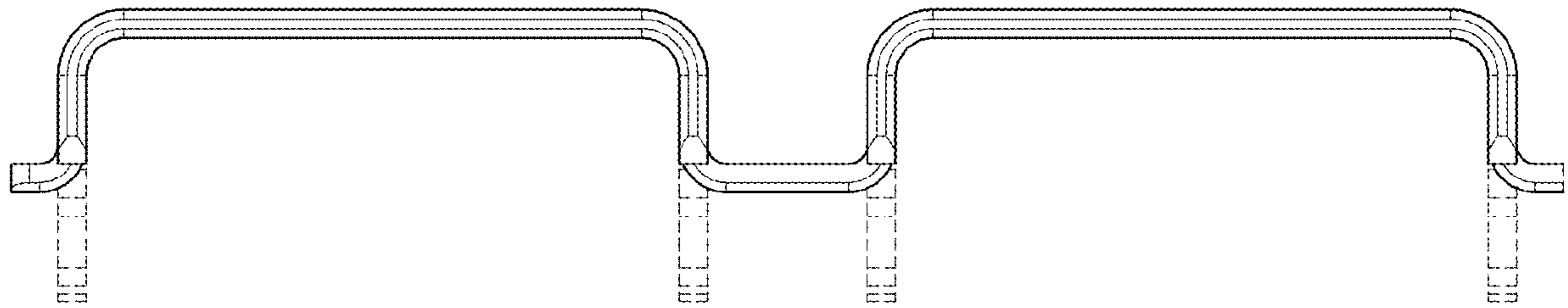


FIG. 6

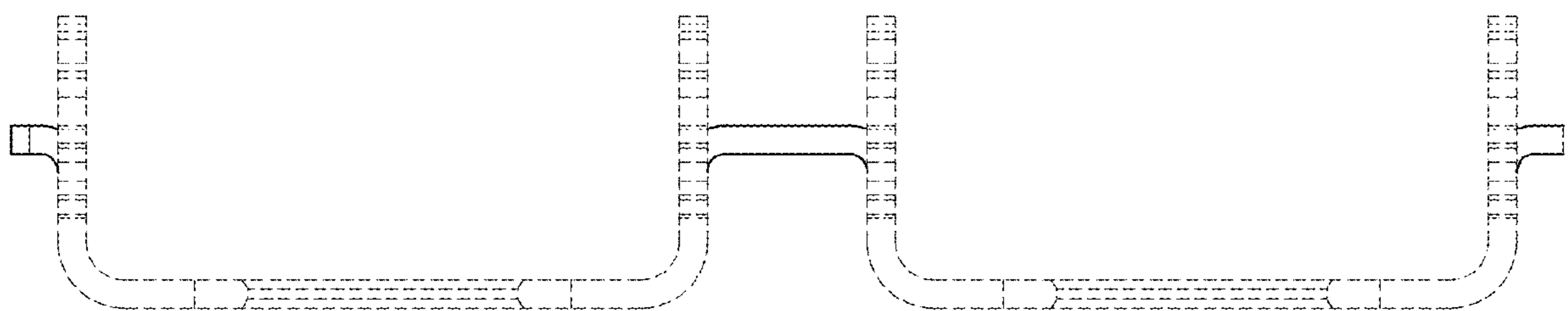


FIG. 7

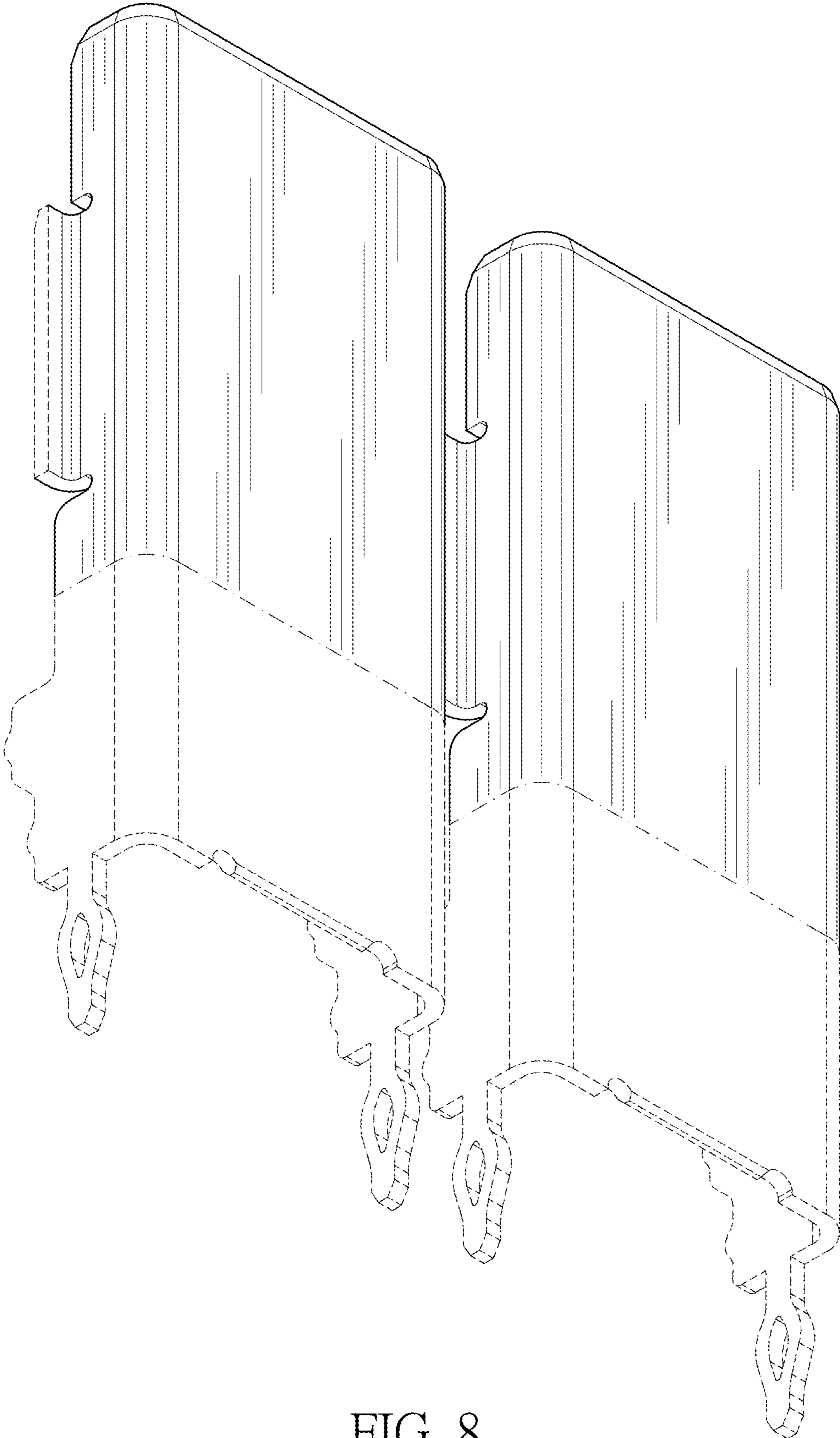


FIG. 8



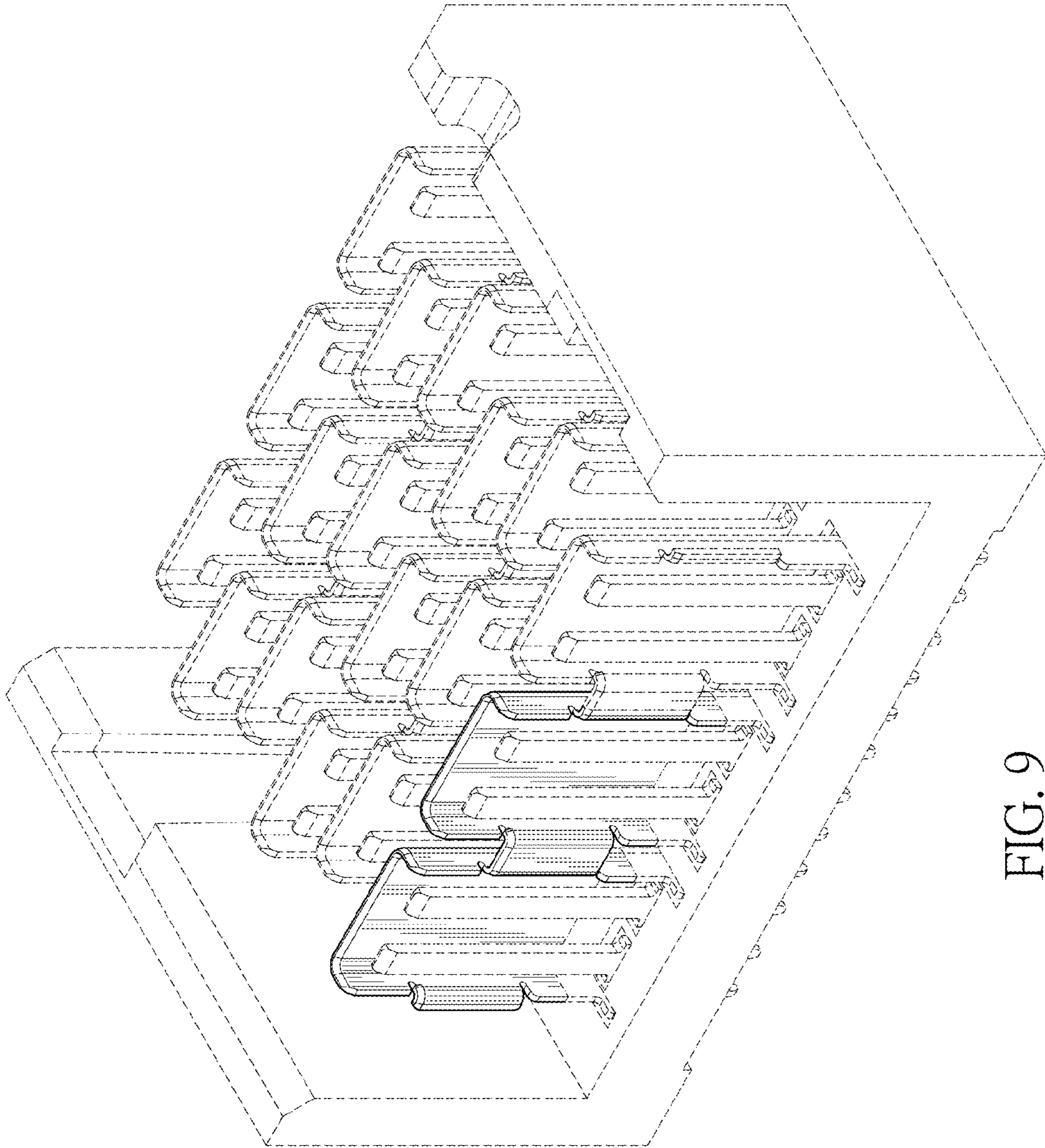


FIG. 9