



US00D913949S

(12) **United States Design Patent**
Kim

(10) **Patent No.:** **US D913,949 S**

(45) **Date of Patent:** **** Mar. 23, 2021**

(54) **CAR CHARGER FOR MOBILE DEVICE**

D692,832 S * 11/2013 Esses D13/110
D695,225 S 12/2013 Chen
D711,829 S 8/2014 Liu

(71) Applicant: **SPIGEN KOREA CO., LTD.**, Seoul
(KR)

(Continued)

(72) Inventor: **Tae heon Kim**, Seoul (KR)

OTHER PUBLICATIONS

(73) Assignee: **Spigen Korea CO., LTD.**, Seoul (KR)

“Car Charger, Anker Quick Charge 3.0 39W Dual USB Car Charger Adapter, PowerDrive Speed 2 for Galaxy S10/S9/S8/S7/S6/PI us, Note 9, Poweriq for iPhone 11/XS/Max/XR/X/8/ 7, Ipad Pro, LG, Nexus, and More”, <https://www.amazon.com/Anker-Charger-Charge-PowerDrive-PowerIQ/dp/B01K9MQ8WW>, Earliest review date Oct. 17, 2016, downloaded Jun. 25, 2020.

(**) Term: **15 Years**

(Continued)

(21) Appl. No.: **29/712,933**

(22) Filed: **Nov. 12, 2019**

(51) **LOC (13) Cl.** **13-03**

(52) **U.S. Cl.**
USPC **D13/144**

(58) **Field of Classification Search**
CPC H01R 31/065; H01R 13/6675; H02J 7/02;
B60N 3/14

See application file for complete search history.

Primary Examiner — Jennifer O King

(74) *Attorney, Agent, or Firm* — Heedong Chae; Lucem, PC

(56) **References Cited**

(57) **CLAIM**

The ornamental design for a car charger for mobile device, as shown and described.

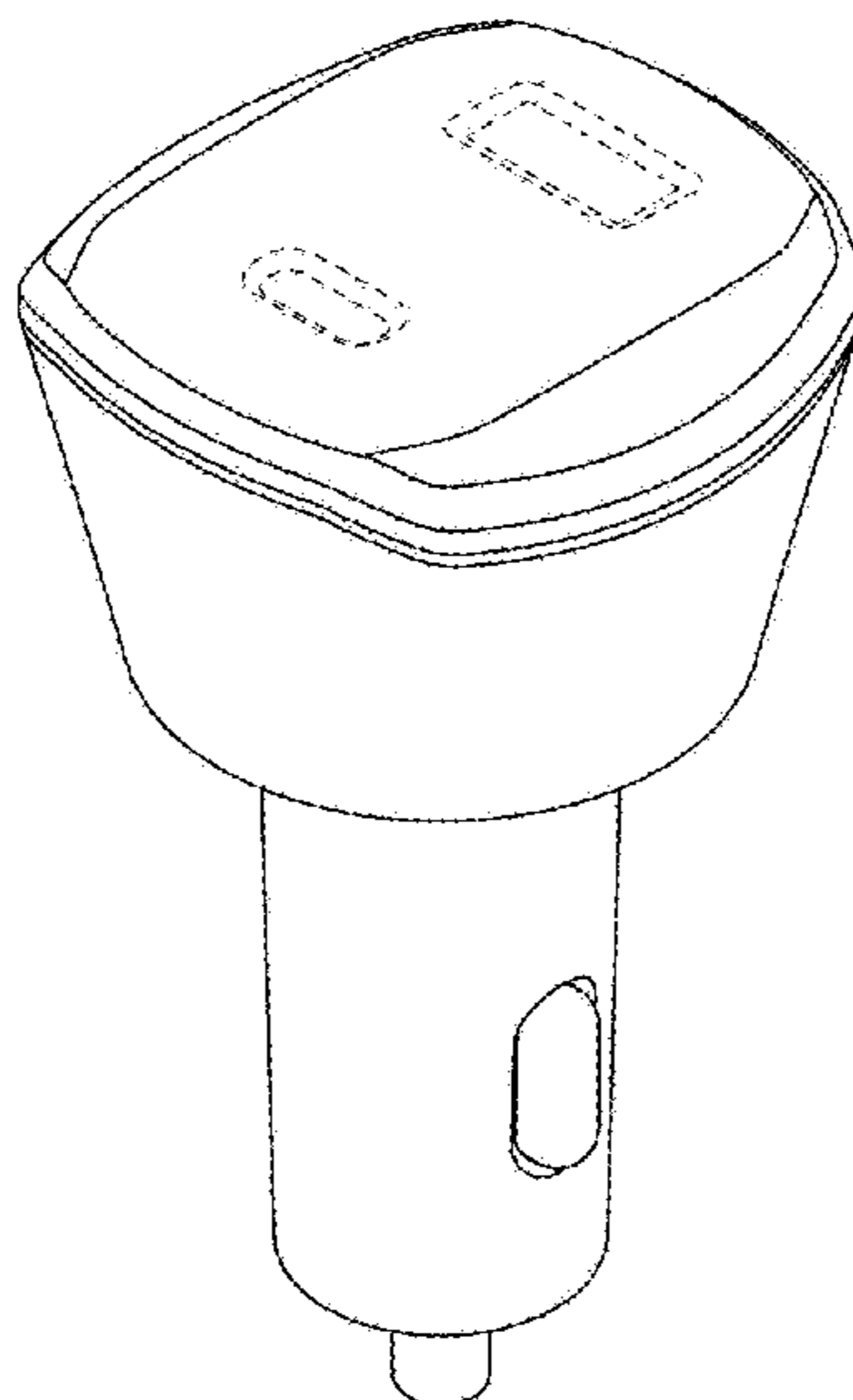
U.S. PATENT DOCUMENTS

- D303,954 S * 10/1989 Michels D14/155
- D409,568 S * 5/1999 Lindahl D13/107
- D492,249 S * 6/2004 Suomalainen D13/108
- D506,455 S 6/2005 Bey et al.
- D525,938 S 8/2006 Seil et al.
- D625,266 S 10/2010 Bau
- D628,149 S 11/2010 Wu
- D633,046 S 2/2011 Au
- D643,807 S 8/2011 Jiang
- D652,384 S 1/2012 Lee
- D653,216 S * 1/2012 Cheng D13/144
- D654,872 S 2/2012 Au
- D654,873 S 2/2012 Au
- D654,874 S 2/2012 Au
- D655,247 S * 3/2012 Fitch D13/144
- D655,676 S 3/2012 Au
- D664,920 S 8/2012 Huang
- D673,504 S 1/2013 Esses
- D685,330 S * 7/2013 Fitch D13/144
- D692,386 S * 10/2013 Esses D13/110

DESCRIPTION

FIG. 1 is a front perspective view of the car charger for mobile device showing my new design; FIG. 2 is a rear perspective view thereof; FIG. 3 is a front elevational view thereof; FIG. 4 is a rear elevational view thereof; FIG. 5 is a left side elevational view thereof; FIG. 6 is a right side elevational view thereof; FIG. 7 is a top plan view thereof; and, FIG. 8 is a bottom plan view thereof. The broken lines throughout the drawing figures depict portions of the car charger for mobile device that form no part of the claimed design.

1 Claim, 8 Drawing Sheets



(56)

References Cited

U.S. PATENT DOCUMENTS

D714,223 S *	9/2014	Huang	D13/144
D743,885 S	11/2015	Nazar		
D769,185 S	10/2016	Lee et al.		
D781,235 S	3/2017	Esses		
D797,043 S	9/2017	Akana et al.		
D807,289 S *	1/2018	Wang	D13/107
D807,820 S	1/2018	Nazar		
D816,607 S	5/2018	Roberts		
D828,813 S	9/2018	Liu		
D839,201 S	1/2019	Jin		
D860,951 S	9/2019	Hu		
2014/0141653 A1 *	5/2014	Hsieh	H01R 31/06 439/638

OTHER PUBLICATIONS

“Spigen 30W Fast Car Charger Quick Charge 3.0 USB Port, works with Galaxy S10/S10 Plus /Note 10/10+ S9/S8 and Phone 11 Pro Max Xs/XS Max/XR / X / iPad, Tablet and more”, <https://www.amazon.com/Spigen-Charger-Charge-Output-Compatible/dp/B01HH52Q5W>, Earliest review date Mar. 8, 2017, downloaded Jun. 16, 2020.

“iPhone Car Charger, [Apple MFI Certified] Lightning Car Charger for iPhone X, XR, XS, 8, 8 Plus, 7, 7 Plus 6S / 6S Plus, 6 Plus, SE, 5S, iPad Pro, Air 2, Mini 4 with Extra USB Port”, <https://www.amazon.com/iPhone-Charger-Apple-Certified-Lighting/dp/B076GZN6NF>, Earliest review date Jan. 20, 2018, downloaded Jun. 25, 2020.

“Ailun Car Charger Adapter 2Pack Dual Smart USB Ports 4.8A 24W for iPhone X Xs XR Xs Max 8 7 Plus Galaxy s20, s20+ S20Ultra S10 Plus S9 S8 Black”, <https://www.amazon.com/Ailun-Adaptador-cargador-unidades-inteligentes/dp/B07BKQPNHS>, Earliest review date Apr. 18, 2018, downloaded Jun. 25, 2020.

“Car Charger, Capshi Quick Charge 3.0 36W Dual USB Car Charger Adapter Fast Car Charging Compatible Galaxy Note 10 S10 S8 S9 Note 8, iPhone X 8 7 6s Plus, iPad, iPad Air 2/Mini 3,

Pixel, LG, HTC”, <https://www.amazon.com/Charger-Powerman-Adapter-Charging-Compatible/dp/B07CTHQBJQ>, Earliest review date Jun. 3, 2018, downloaded Jun. 25, 2020.

“Mini Car Charger, Vogeek 4.8A 24W Dual USB Car Charger with Smart Identification Compatible with Galaxy S8/S7/S6/Edge/Plus , Note 5/4—Black”, <https://www.amazon.com/Charger-Vogeek-Identification-Compatible-Galaxy/dp/B07DXKXSNB>, Earliest review date Jul. 31, 2018, downloaded Jun. 25, 2020.

“Car Charger, Cebkit 2 Pack Dual Port Travel USB Car Charger Flush Fit Plug Adapter Fast Charger Android Compatible for Samsung Galaxy S9 S8 Plus Note 8 S7 Edge, iPhone X 8 7 6S 6 5, lg g5 g6, Note 4 5”, <https://www.amazon.com/Charger-Cebkit-Adapter-Android-Compatible/dp/B07FKG8KVQ>, Earliest review date Oct. 25, 2018, downloaded Jun. 25, 2020.

“Anker Car Charger USB C, 30W 2—Port Compact Type C Car Charger with 18W Power Delivery and 12W PowerIQ, PowerDrive PD 2 with LED for iPad Pro (2018), iPhone XS/Max/XR/X/8/7, Pixel 3/2/XL and More”, <https://www.amazon.com/Anker-Charger-Compact-Delivery-PowerDrive/dp/B07GZ78R6D>, Earliest review date Nov. 17, 2018, downloaded Jun. 25, 2020.

“Fast USB Car Charger Adapter, COOLFOR Quick Charge 3.0 36W Aluminum Car Charger Compatible with iPhone Xs/XS Max/XR/X/8/7,iPad Pro/Air 2,Samsung Galaxy S9/S8/S7/S6 Edge,Google Pixel,LG and More,Black”, <https://www.amazon.com/Charger-Adapter-COOLFOR-Aluminum-Compatible/dp/B07RN74DW9>, Earliest review date May 30, 2019, downloaded Jun. 25, 2020.

“Car Charger for iPhone, iPhone Car Charger, [Apple MFI Certified], UL,CE & FCC Approved, Car Charger iPhone, for All Apple iPhone,iPad,Air 2,Mini 4 with Extra USB Port,IC chip to Prevent overcharging”, <https://www.amazon.com/TradeBone-Certified-iPhone-Charger-Lighting/dp/B07S1NTHDM>, Earliest review date Sep. 12, 2019, downloaded Jun. 25, 2020.

“Car Charger with Micro USB Cable for Samsung Galaxy S6/S6 Edge/S7 Edge/S7/S4/Note 4/Note 5,LG G4,HTC m9/m8,Huawei Y7/Y5/ P9 lite/Mate 8,Motorola X,All Micro Phones”, <https://www.amazon.com/Charger-Charging-Adapter-Samsung-Galaxy/dp/B07SZGB33K>, Earliest review date Nov. 10, 2019, downloaded Jun. 25, 2020.

* cited by examiner

FIG. 1

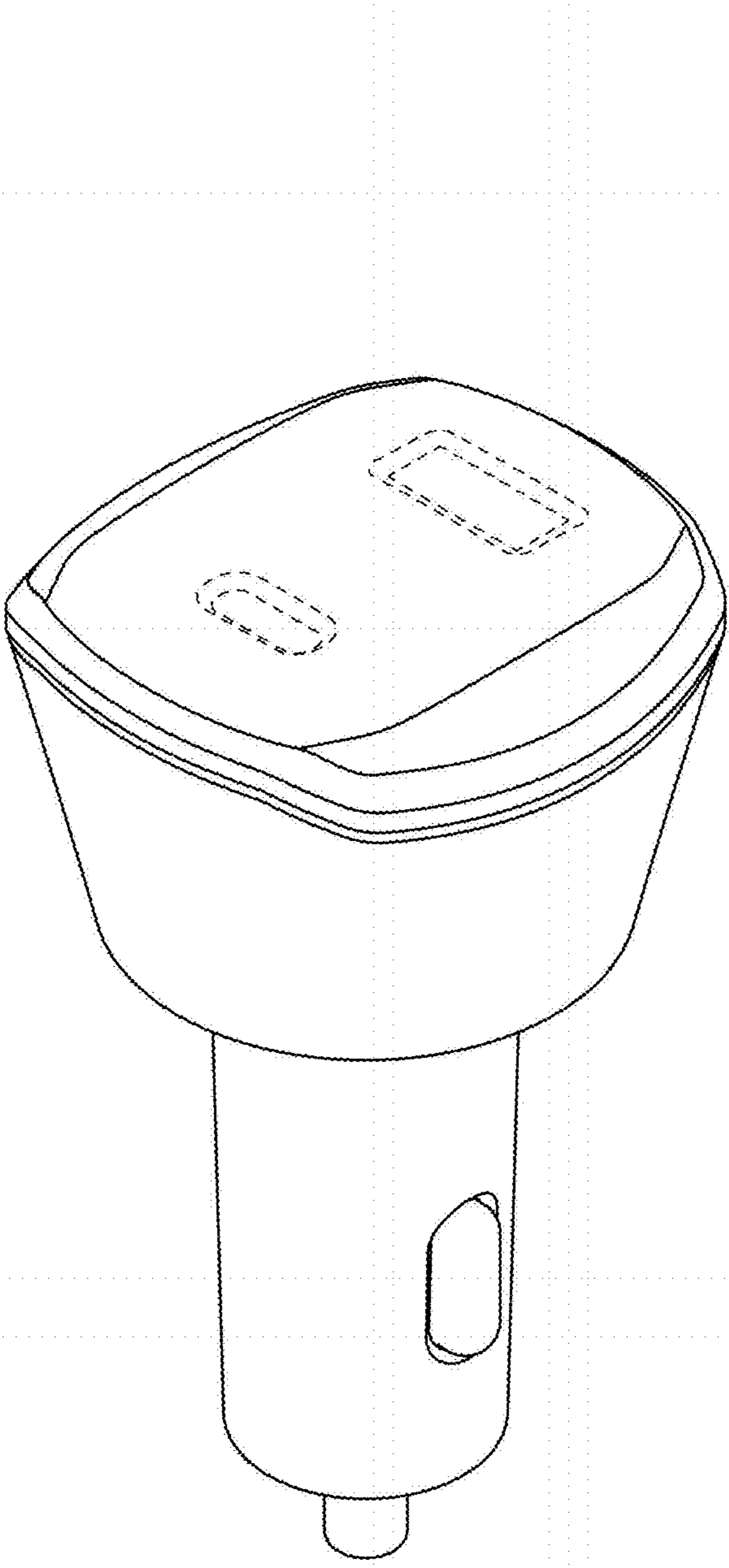


FIG. 2

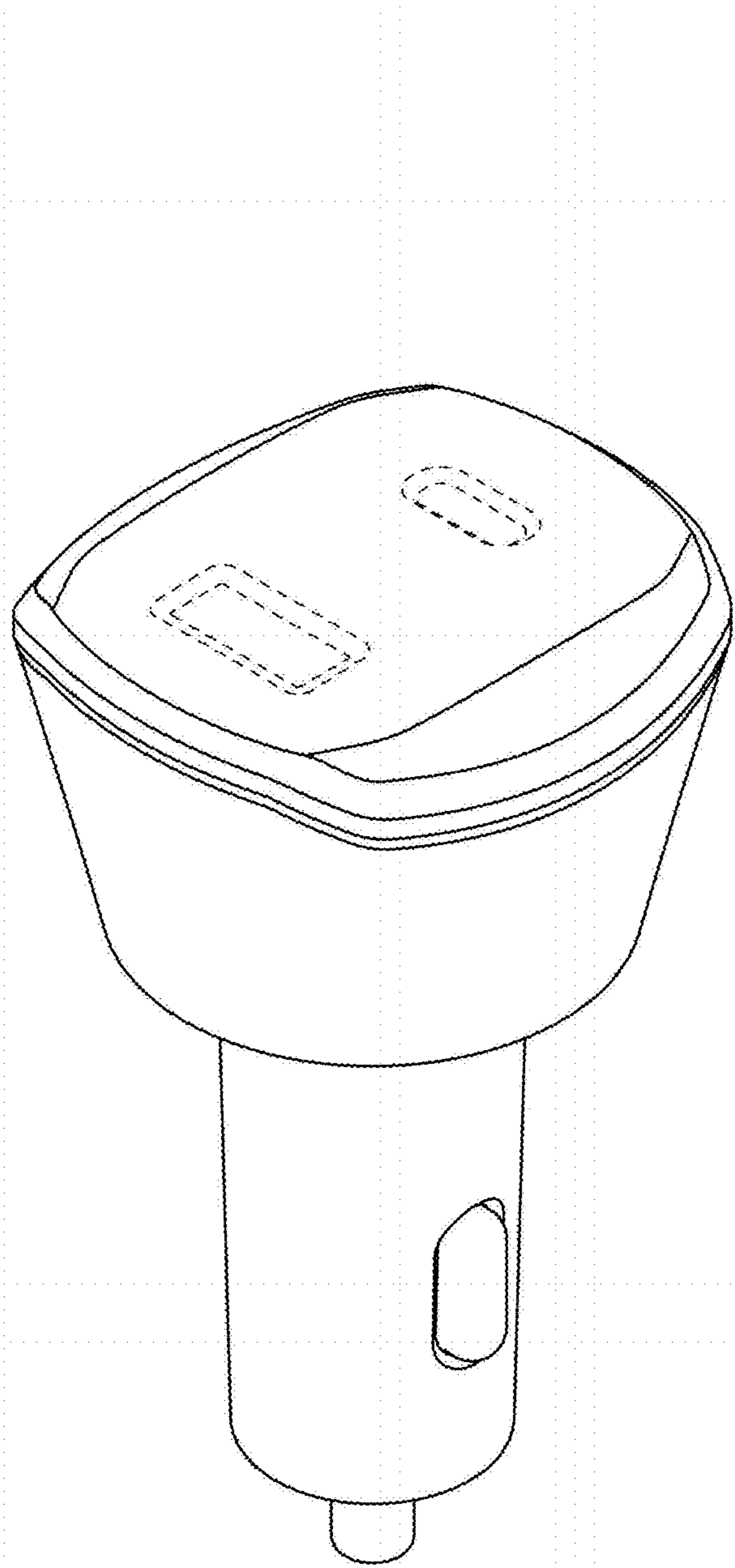


FIG. 3

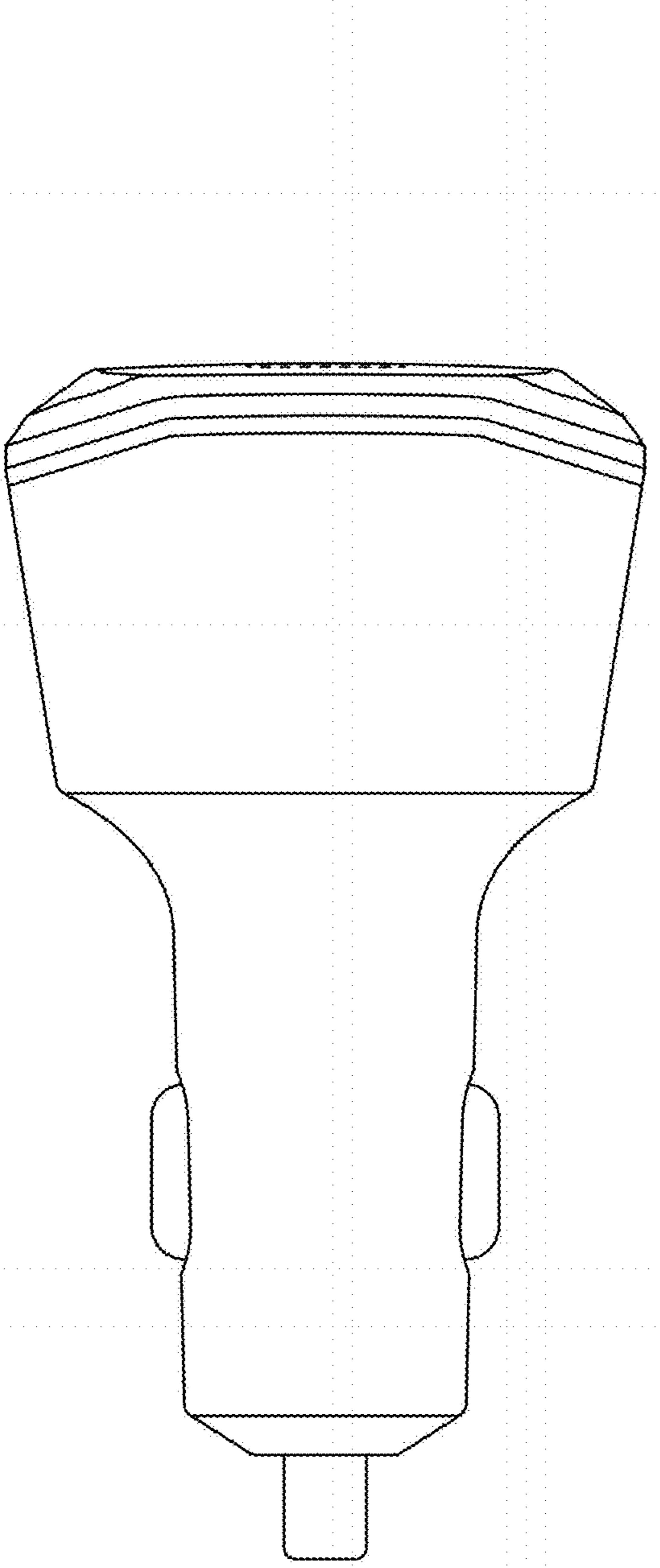


FIG. 4

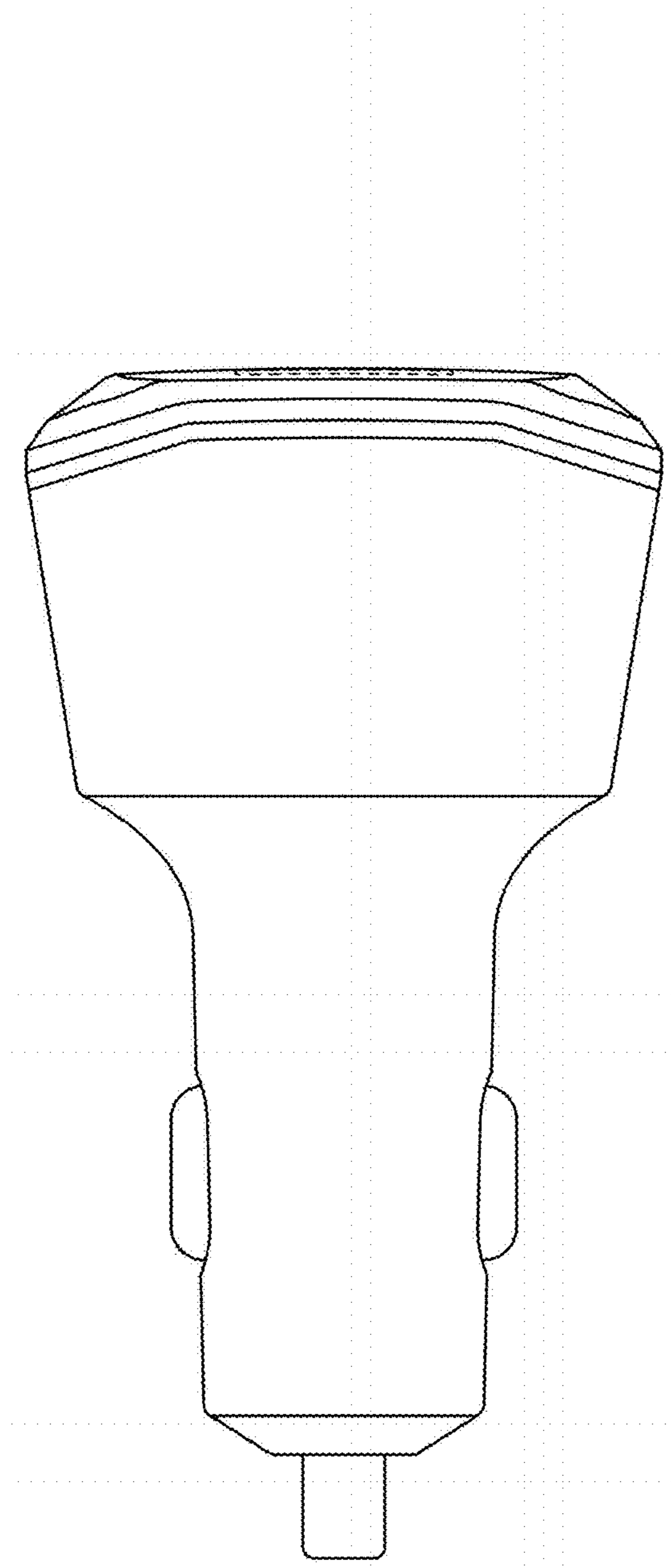


FIG. 5

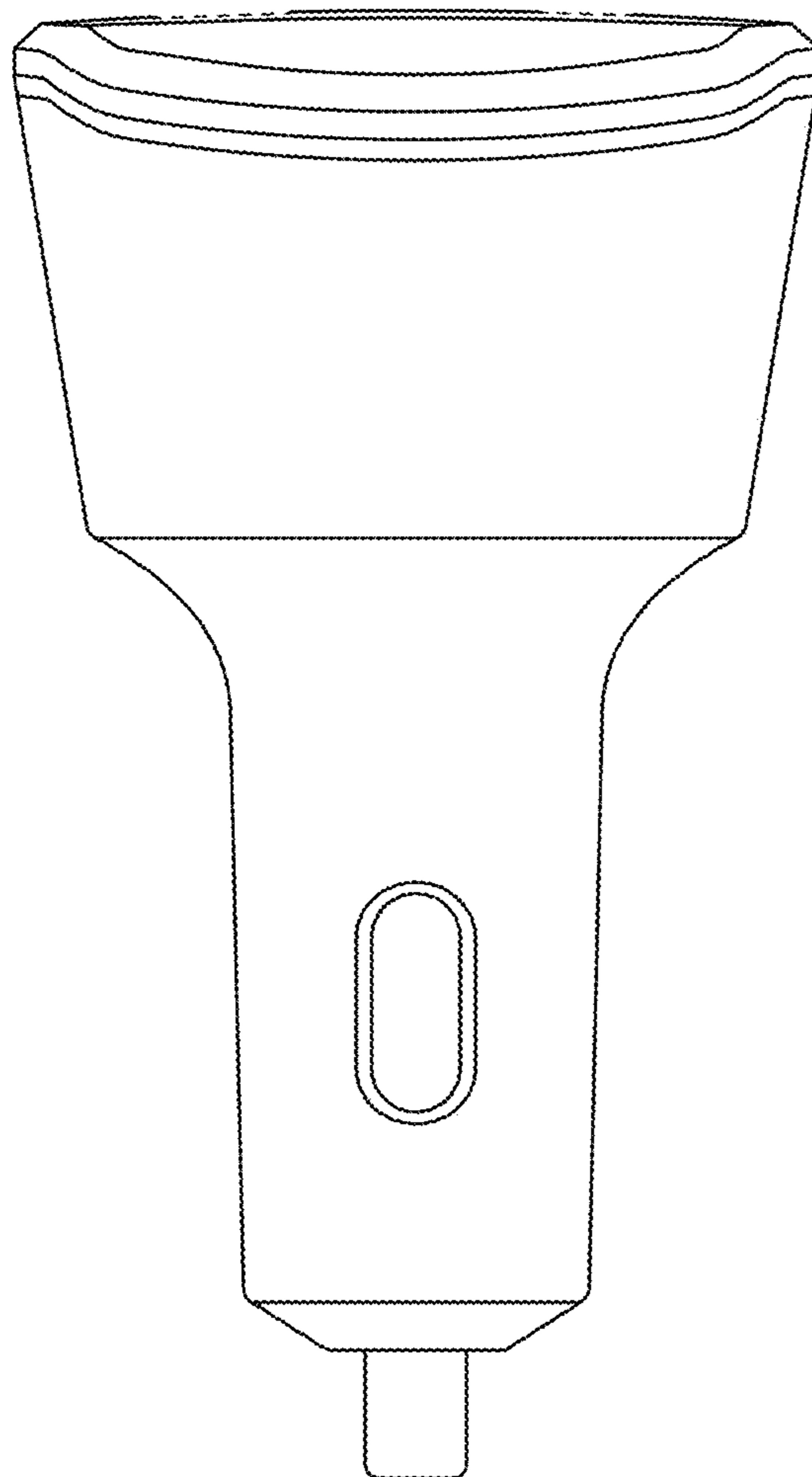


FIG. 6

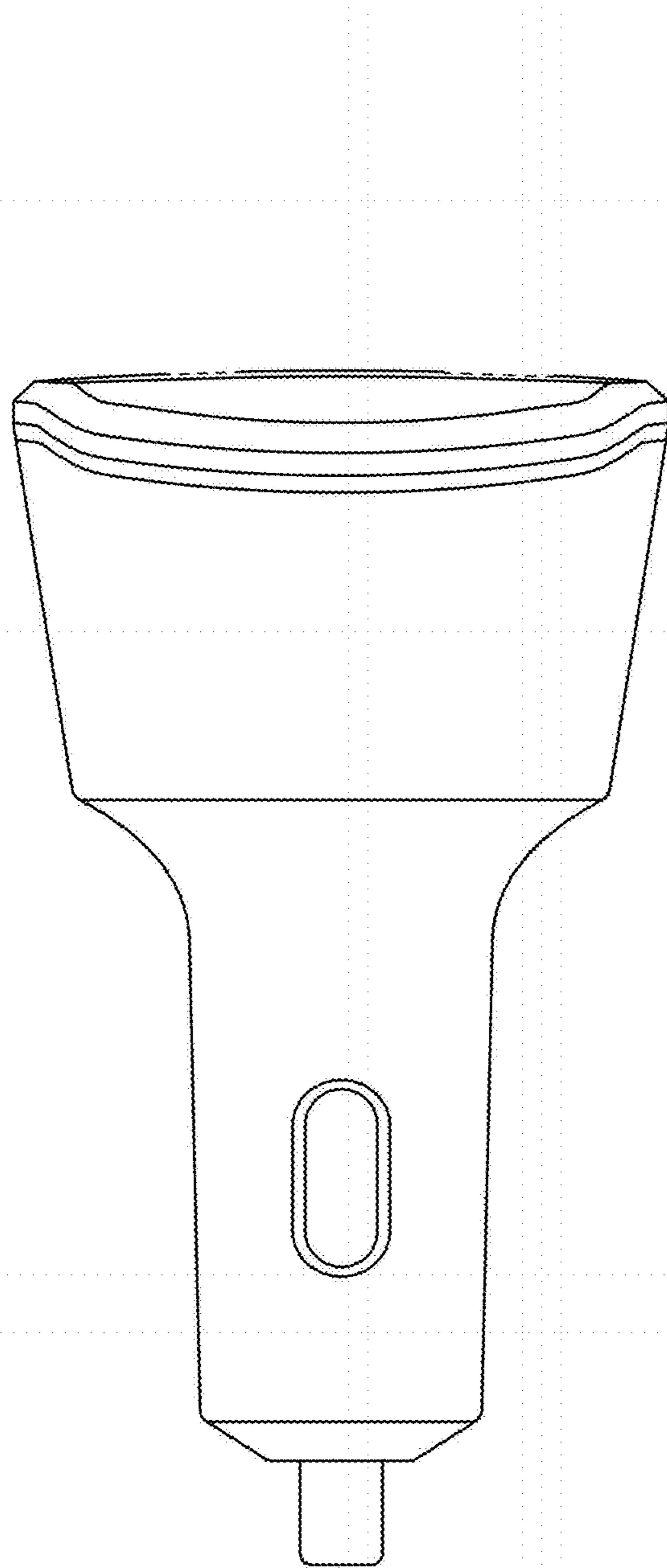


FIG. 7

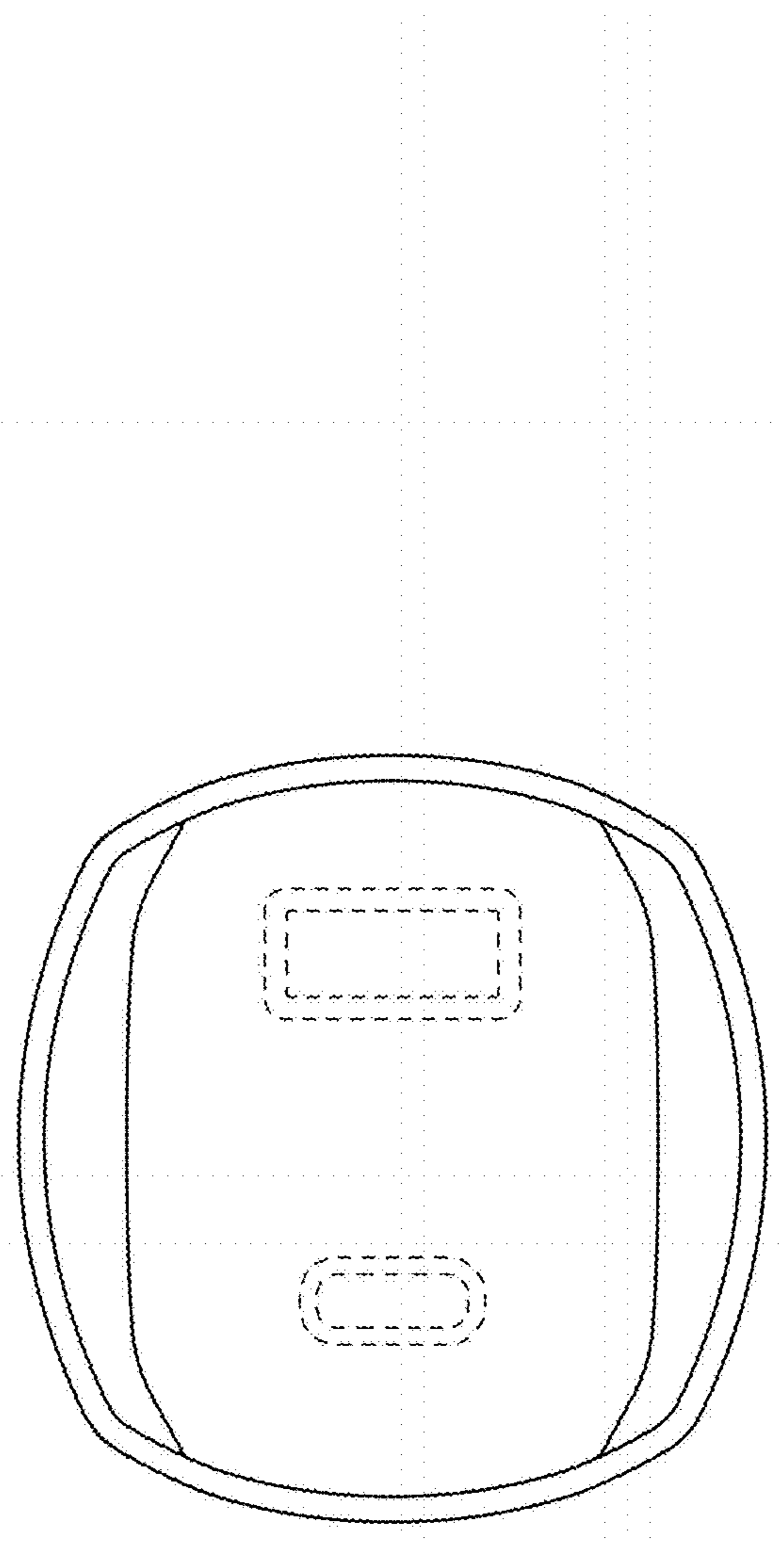


FIG. 8

