



US00D913947S

(12) **United States Design Patent** (10) **Patent No.:** **US D913,947 S**
Xie (45) **Date of Patent:** **** Mar. 23, 2021**

(54) **CAR CHARGER**
(71) Applicant: **Shenzhen Shanmo Digital Technology Co., Ltd.**, Shenzhen (CN)
(72) Inventor: **Hanyi Xie**, Shenzhen (CN)
(**) Term: **15 Years**
(21) Appl. No.: **29/660,596**

D625,267 S * 10/2010 Tseng D13/144
D625,689 S * 10/2010 Chan D13/144
D625,690 S * 10/2010 Chan D13/144
D626,072 S * 10/2010 Tseng D13/144
D653,619 S * 2/2012 Tien D13/144
D667,377 S * 9/2012 Chan D13/144
D711,829 S * 8/2014 Liu D13/144
D720,296 S * 12/2014 Charnis D13/144
D750,565 S * 3/2016 Venida D13/144
D758,305 S * 6/2016 Dorn D13/107

(22) Filed: **Aug. 22, 2018**
(51) **LOC (13) Cl.** **13-03**
(52) **U.S. Cl.**
USPC **D13/144**
(58) **Field of Classification Search**
USPC D13/144, 107, 108, 110, 118, 119, 120,
D13/133, 154, 184, 199; D14/155, 217,
D14/433
CPC H01R 24/58; H01R 2201/26; H01R 31/02;
H02J 7/0042
See application file for complete search history.

OTHER PUBLICATIONS

Aliexpress.com. "Oppselve Car Charger Mini Dual USB Charger For Phone." Date accessed: Feb. 13, 2020. Date of earliest review: Aug. 2019. (Year: 2019).*

* cited by examiner

Primary Examiner — Jennifer O King
(74) *Attorney, Agent, or Firm* — W&K IP

(57) **CLAIM**

The ornamental design for a car charger, as shown and described.

(56) **References Cited**

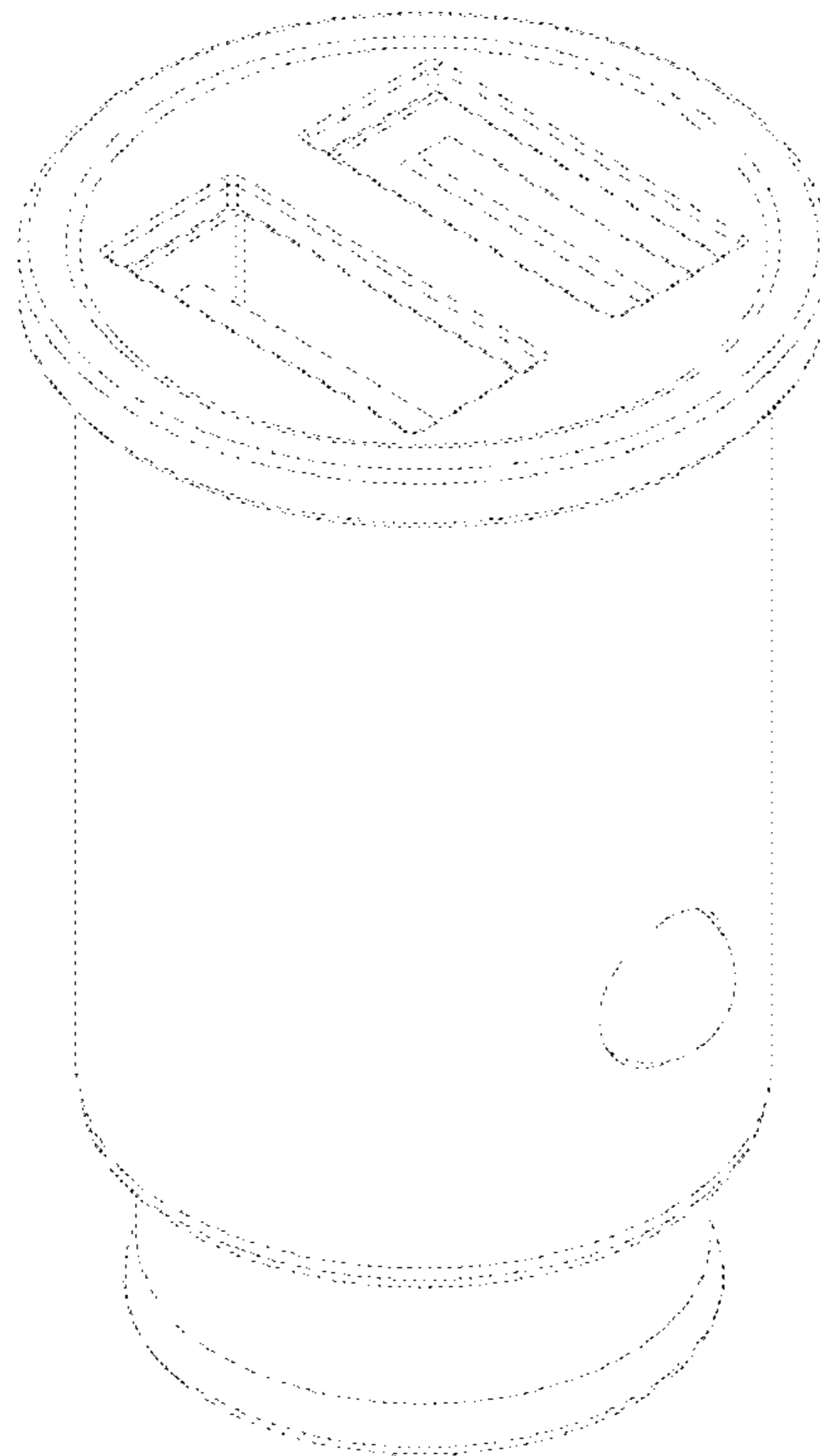
U.S. PATENT DOCUMENTS

4,319,798 A * 3/1982 Mittelhauser H01R 24/58
439/172
5,387,136 A * 2/1995 Britton H01R 24/20
439/353
D604,699 S * 11/2009 Yamamoto D13/108
D618,618 S * 6/2010 Lee D13/108
D624,498 S * 9/2010 Chan D13/144
D624,499 S * 9/2010 Chan D13/144
D624,500 S * 9/2010 Chan D13/144

DESCRIPTION

FIG. 1 is a perspective view of a car charger;
FIG. 2 is a front view thereof;
FIG. 3 is a back view thereof;
FIG. 4 is a left side view thereof;
FIG. 5 is a right side view thereof;
FIG. 6 is a top view thereof; and,
FIG. 7 is a bottom view thereof.

1 Claim, 7 Drawing Sheets



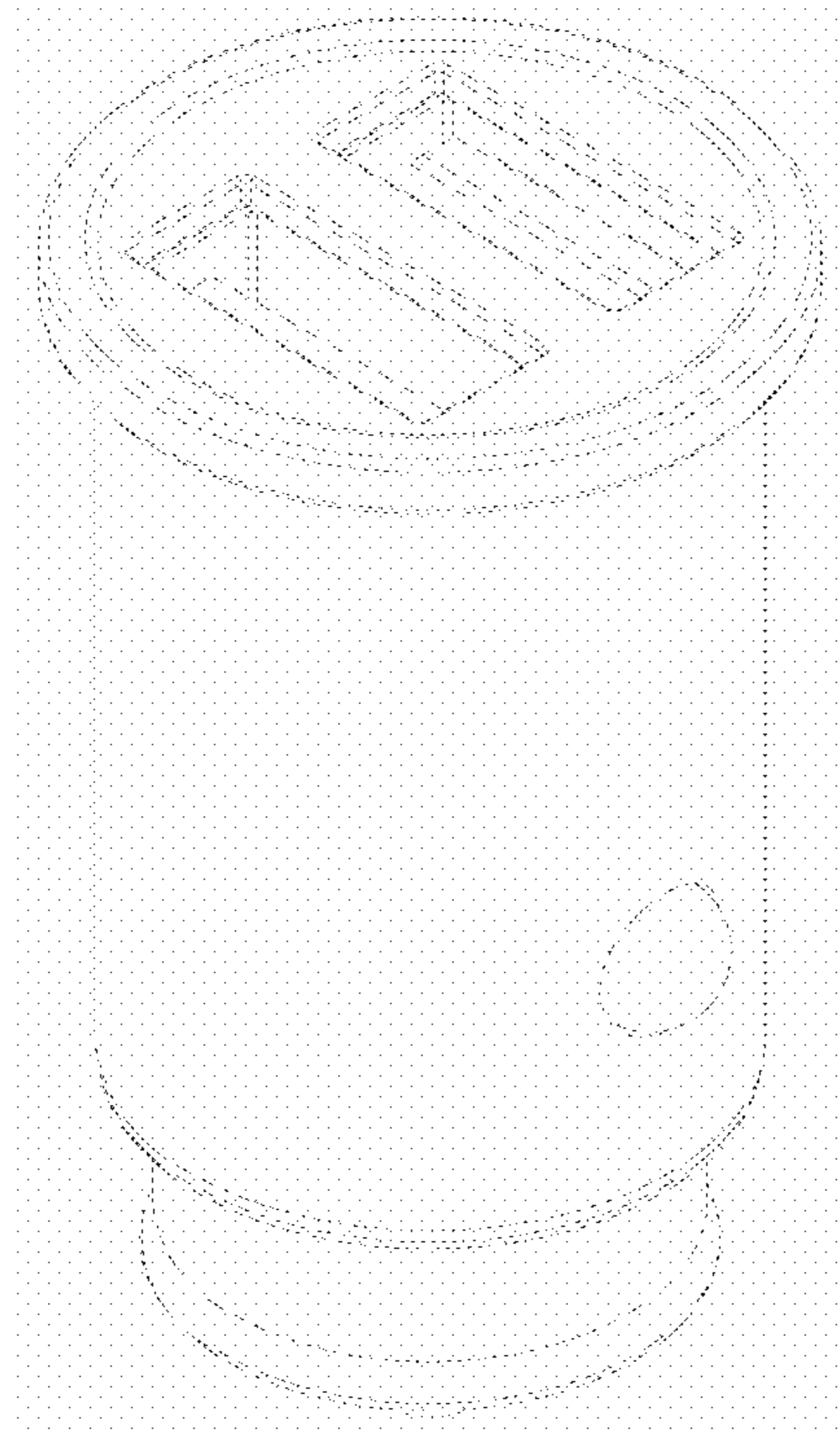


FIG.1

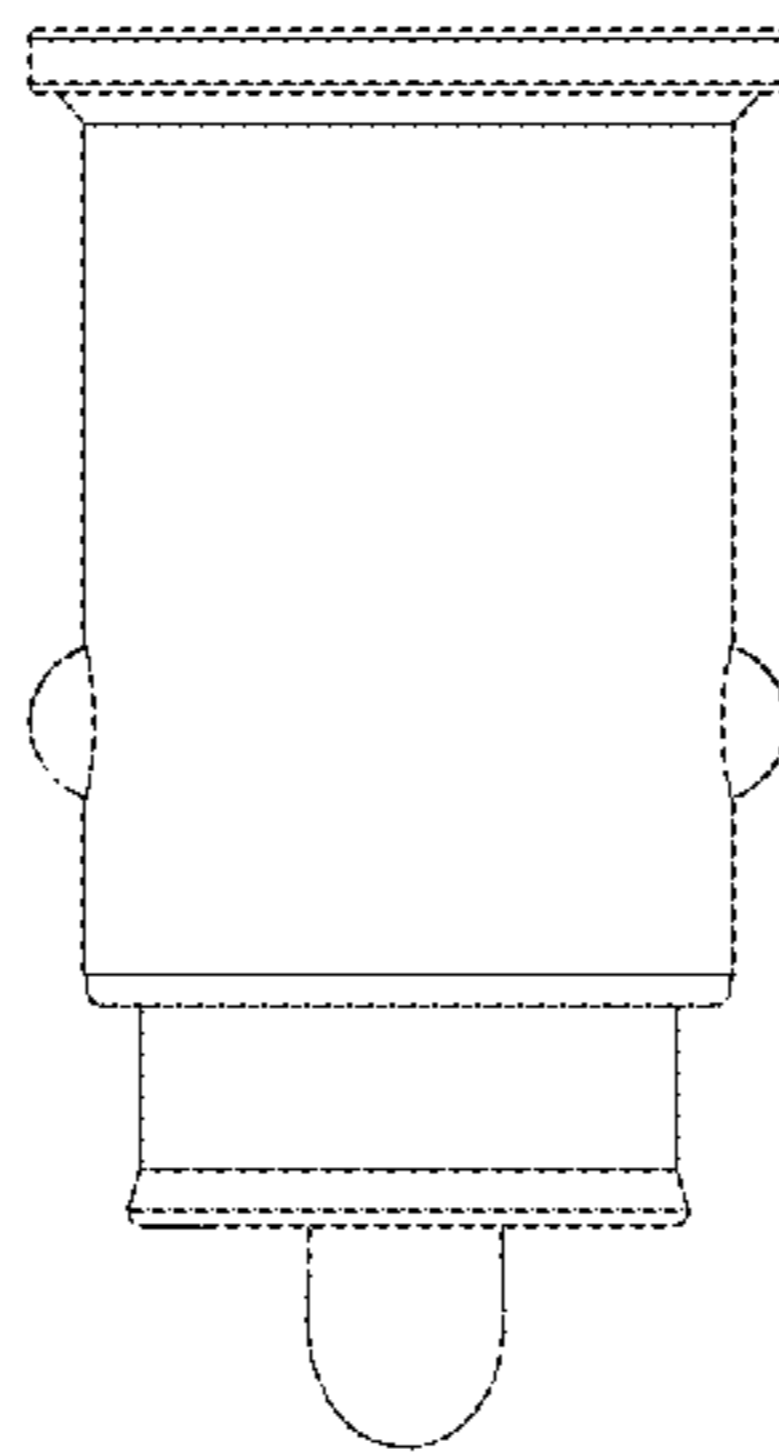


FIG.2

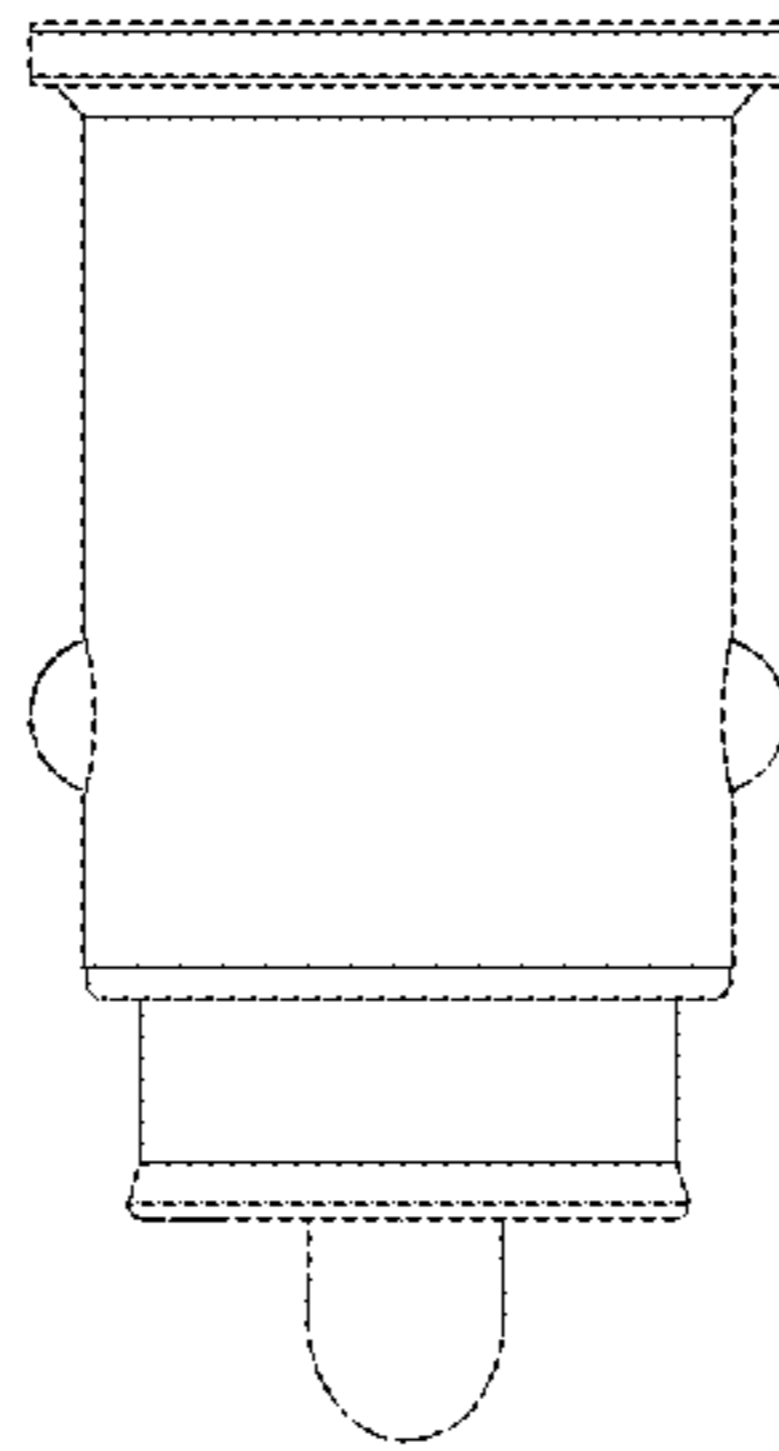


FIG.3

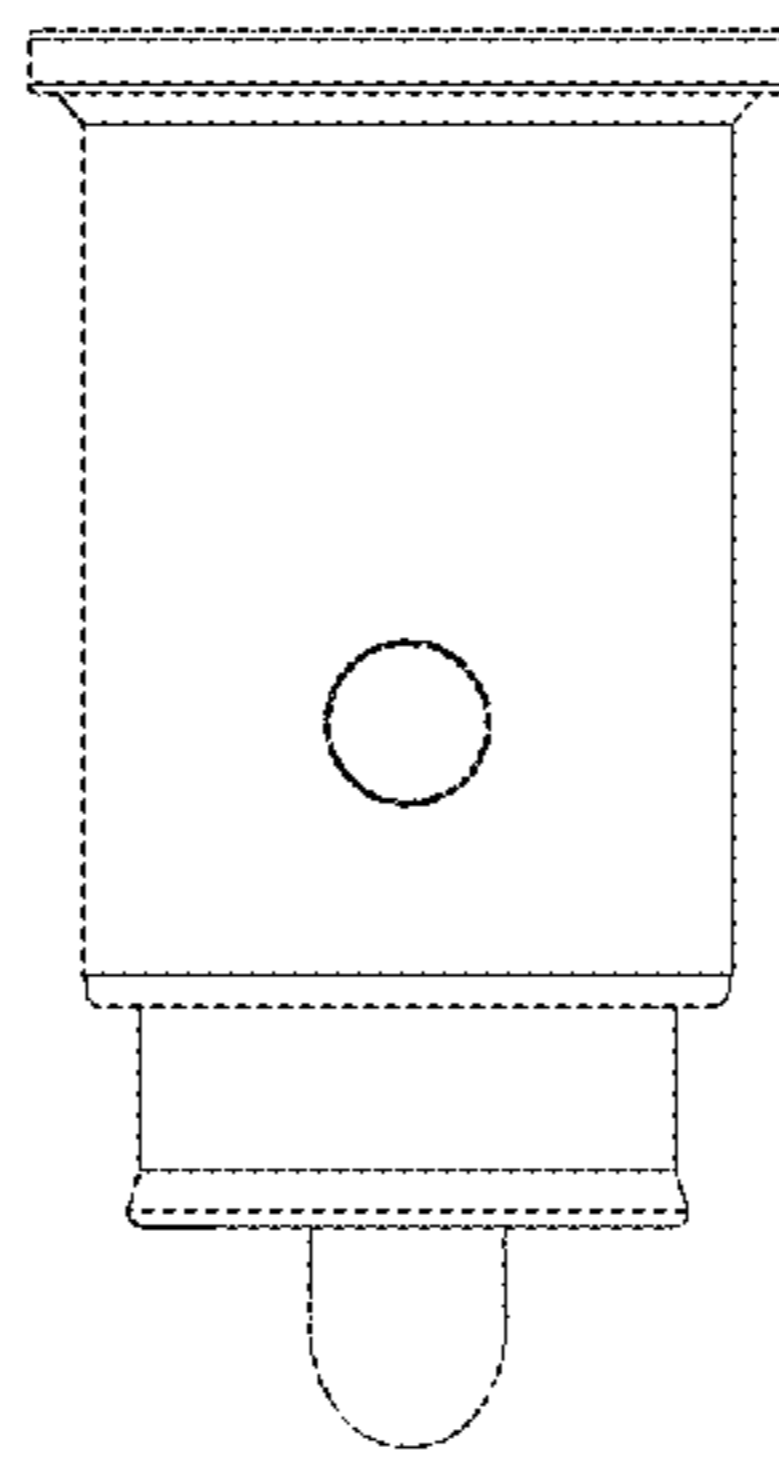


FIG.4

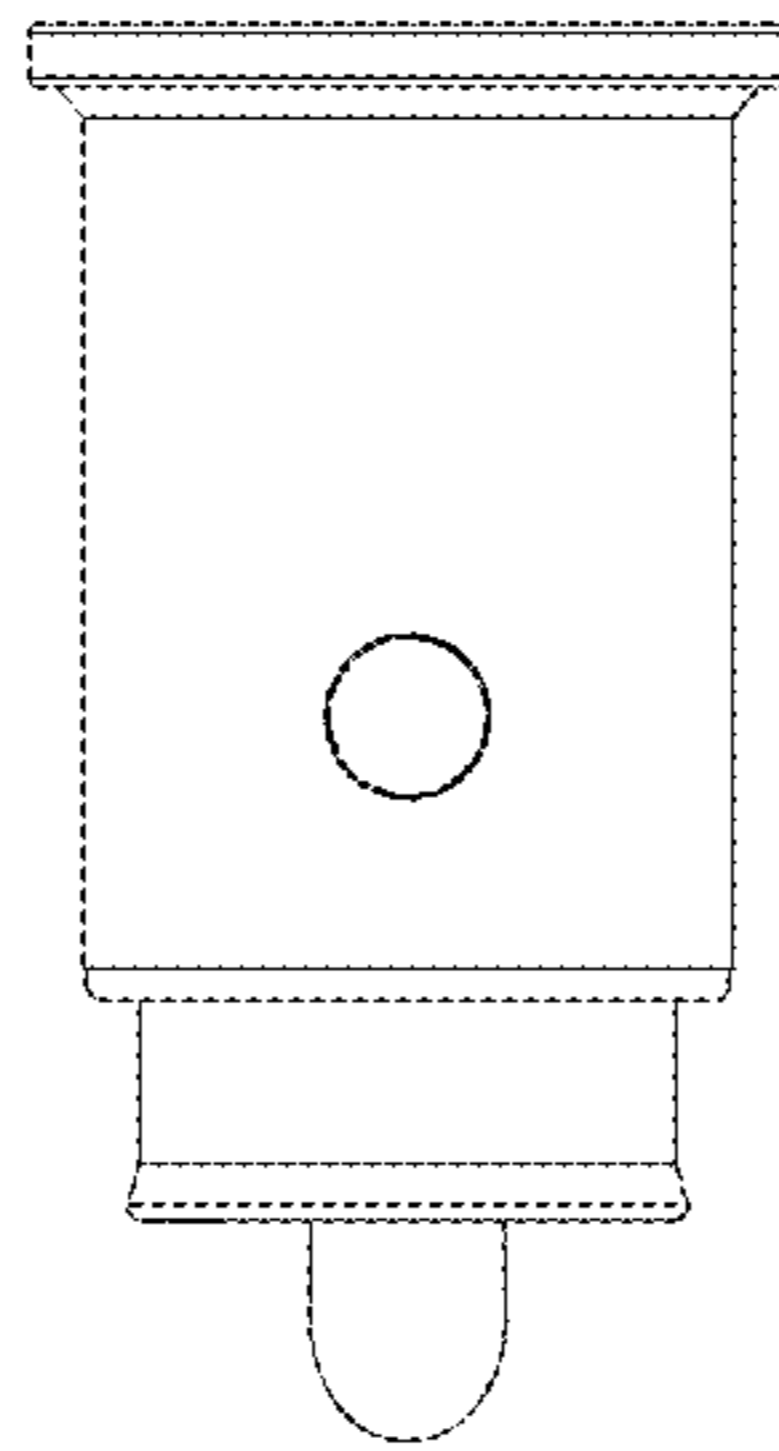


FIG.5

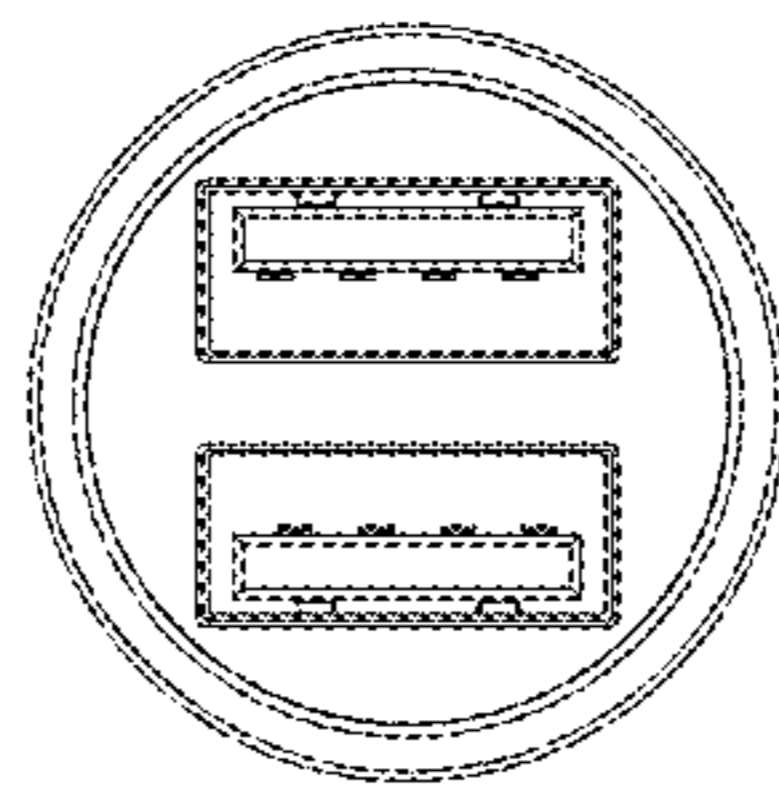


FIG. 6

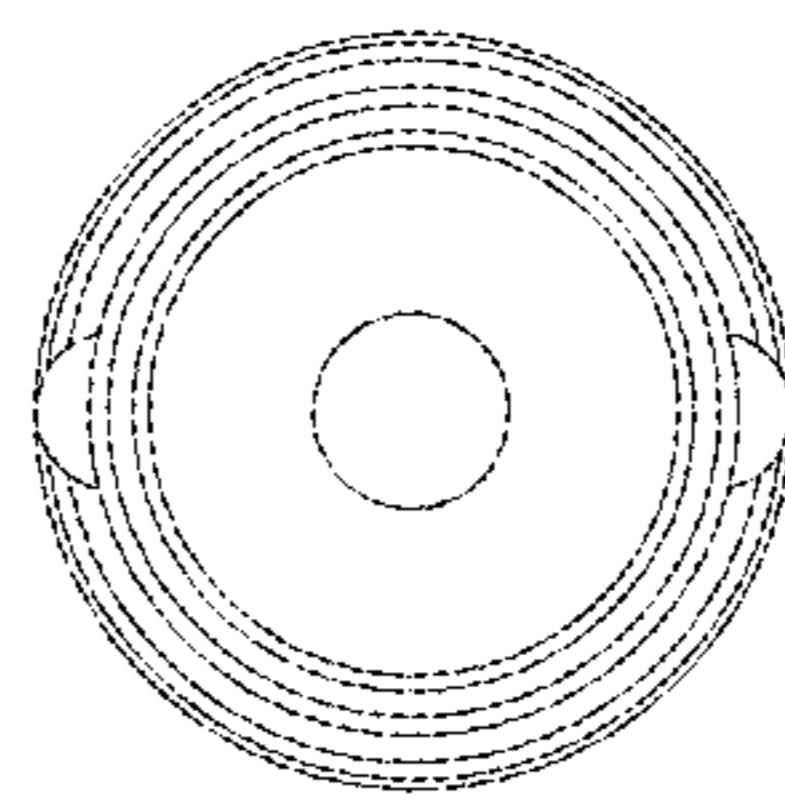


FIG.7