



US00D913946S

(12) **United States Design Patent** (10) **Patent No.:** **US D913,946 S**
Ramones et al. (45) **Date of Patent:** **** Mar. 23, 2021**

(54) **POWER CONNECTOR**
(71) Applicant: **Arlo Technologies, Inc.**, Carlsbad, CA (US)
(72) Inventors: **John Kui Yin Ramones**, San Ramon, CA (US); **Christopher Vincent Fonzo**, Carlsbad, CA (US); **Beau Oyler**, Walnut, CA (US); **Dayne Nathaniel Tanner**, Concord, CA (US)
(73) Assignee: **Arlo Technologies, Inc.**, Carlsbad, CA (US)
(**) Term: **15 Years**
(21) Appl. No.: **29/674,528**
(22) Filed: **Dec. 21, 2018**
(51) **LOC (13) Cl.** **13-03**
(52) **U.S. Cl.**
USPC **D13/139.7**
(58) **Field of Classification Search**
USPC D13/139.1–139.8, 137.1–137.4; D10/118.2; D16/203
CPC ... H01R 13/6666; H01R 13/465; G03B 17/02
See application file for complete search history.

(56) **References Cited**
U.S. PATENT DOCUMENTS
D270,629 S * 9/1983 Drew D13/139.7
D327,873 S * 7/1992 Luu D13/139.8
5,272,587 A * 12/1993 Wan H01R 13/6666
361/111
D391,550 S * 3/1998 Stekelenburg D13/137.4
D411,169 S * 6/1999 West D13/139.8
D428,327 S * 7/2000 Stekelenburg D13/139.7
D435,515 S * 12/2000 Stekelenburg D13/139.6
D435,516 S * 12/2000 Stekelenburg D13/139.8
D436,923 S * 1/2001 Stekelenburg D13/139.8

D466,079 S * 11/2002 Stekelenburg D13/139.8
D473,190 S * 4/2003 Fan D13/139.8
D489,685 S * 5/2004 Yu D13/139.8
D490,777 S * 6/2004 Yu D13/139.8
D510,562 S * 10/2005 Lodato D13/108
D556,689 S * 12/2007 Lee D13/139.1
D574,328 S * 8/2008 Chen D13/139.6
D642,982 S * 8/2011 Shi D13/139.1
D673,912 S * 1/2013 Benedetti D13/137.2
D685,741 S * 7/2013 Byrne D13/139.7
D712,837 S * 9/2014 Chuang D13/139.1
D785,067 S * 4/2017 Ramones D16/203
D786,797 S * 5/2017 Hsu D13/137.2
D796,444 S * 9/2017 Xu D13/139.6
D816,038 S * 4/2018 Lu D13/137.3
D823,805 S * 7/2018 Xu D13/139.8
D881,819 S * 4/2020 Shan D13/139.7
10,718,996 B2 * 7/2020 Ramones G03B 17/02
D892,663 S * 8/2020 Han D10/118.2

(Continued)

Primary Examiner — Rhea Shields
(74) *Attorney, Agent, or Firm* — Boyle Fredrickson S.C.

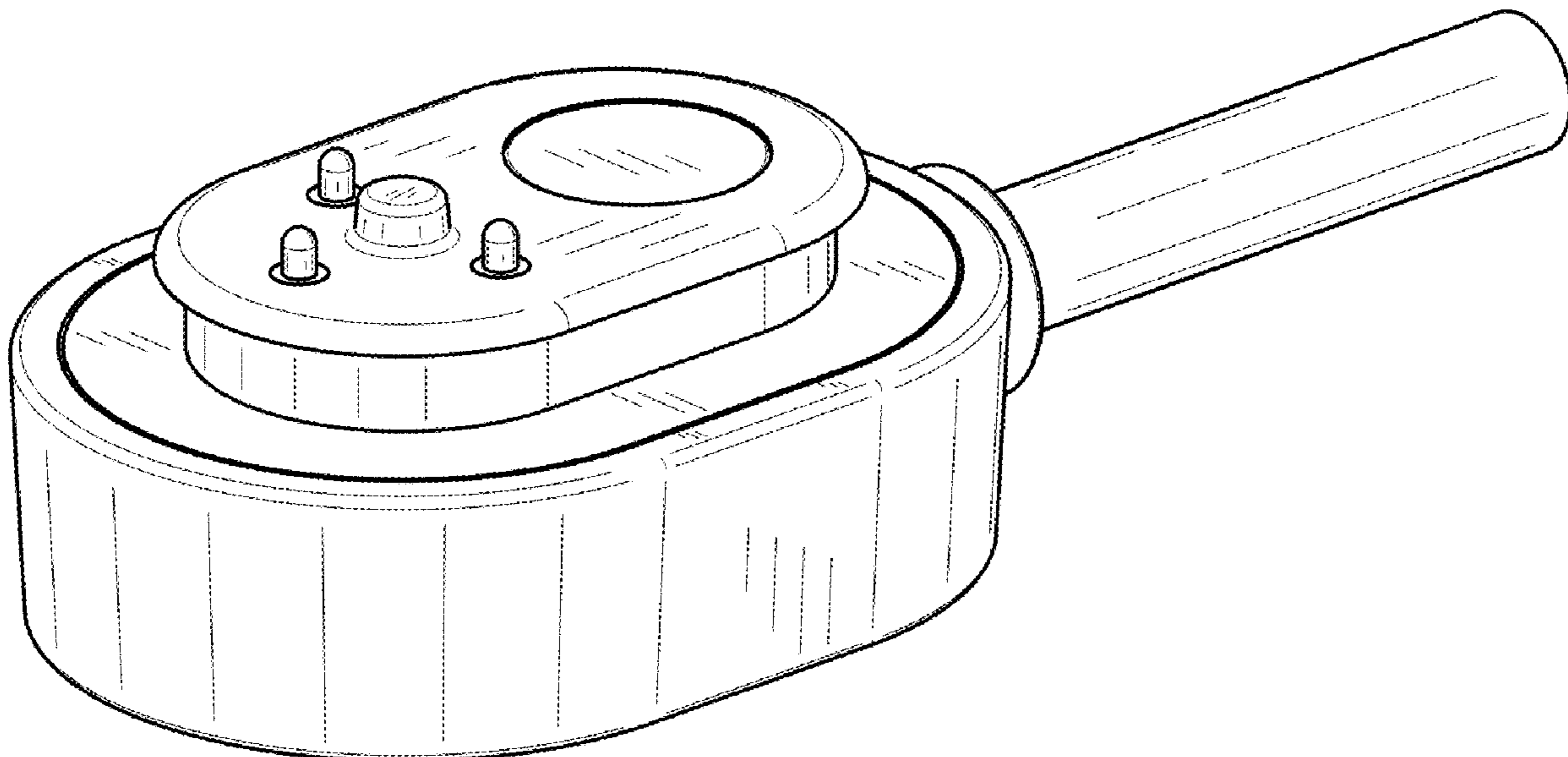
(57) **CLAIM**

The ornamental design for a power connector, as shown and described.

DESCRIPTION

FIG. 1 is a top, front, right side perspective view for a power connector, showing our new design;
FIG. 2 is a front elevation view thereof;
FIG. 3 is a rear elevation view thereof;
FIG. 4 is a right-side elevation view thereof;
FIG. 5 is a left-side elevation view thereof;
FIG. 6 is a top plan view thereof; and,
FIG. 7 is a bottom plan view thereof.
In FIG. 3, the broken lines are for the purpose of illustrating portions of the power connector that form no part of the claimed design.

1 Claim, 7 Drawing Sheets



(56)

References Cited

U.S. PATENT DOCUMENTS

2005/0121218 A1* 6/2005 Fang H01R 13/465
174/53

* cited by examiner

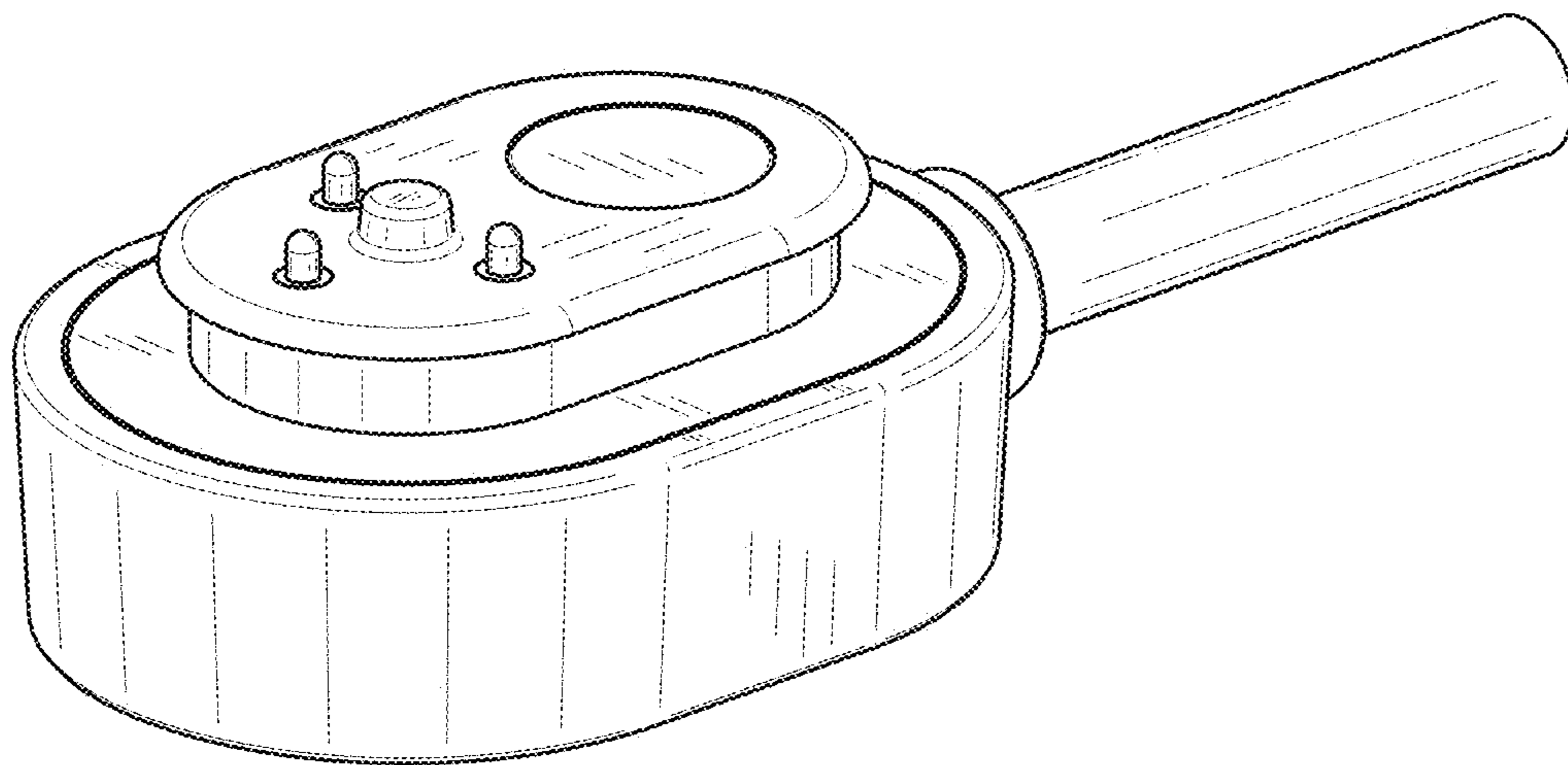


FIG. 1

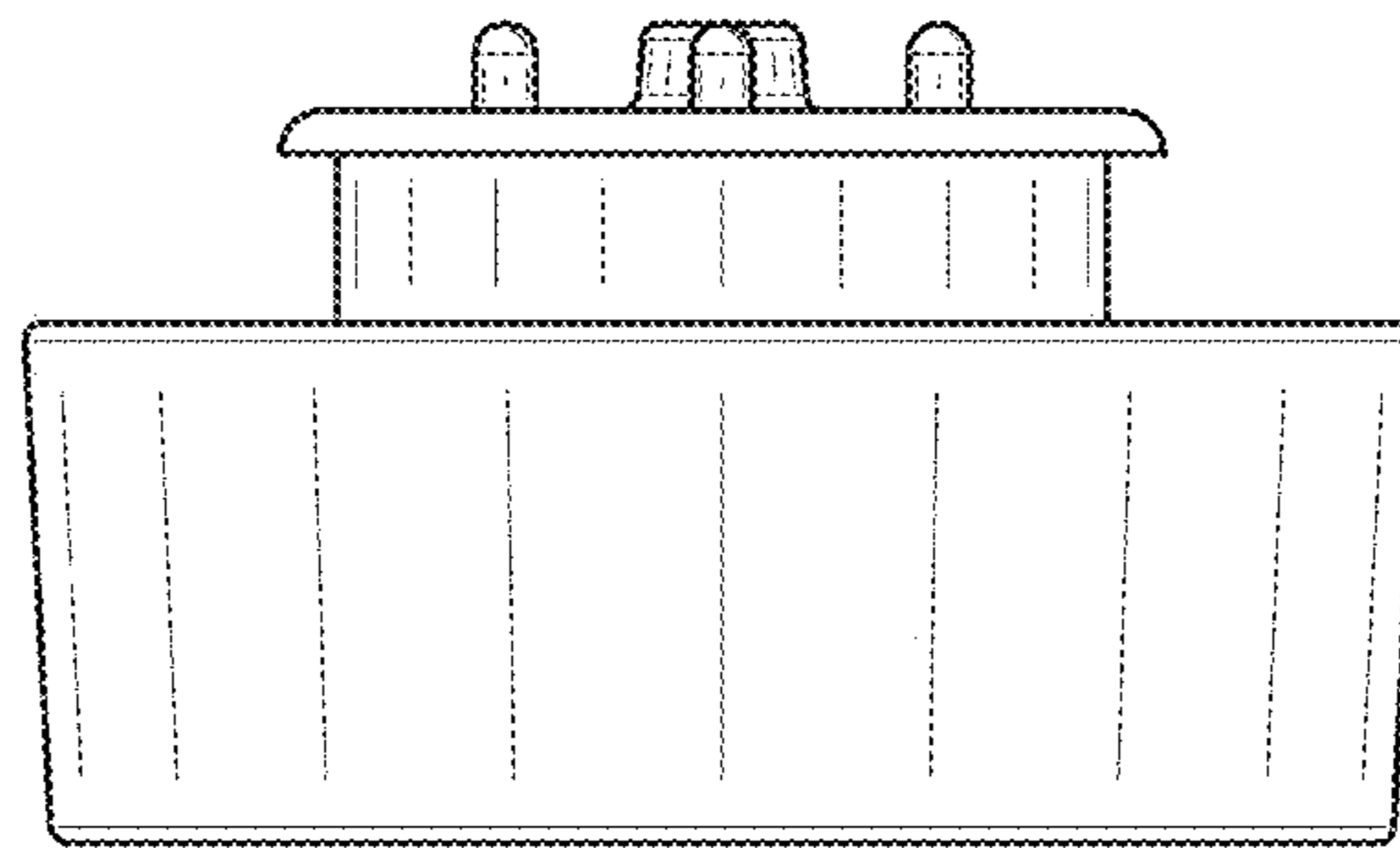


FIG. 2

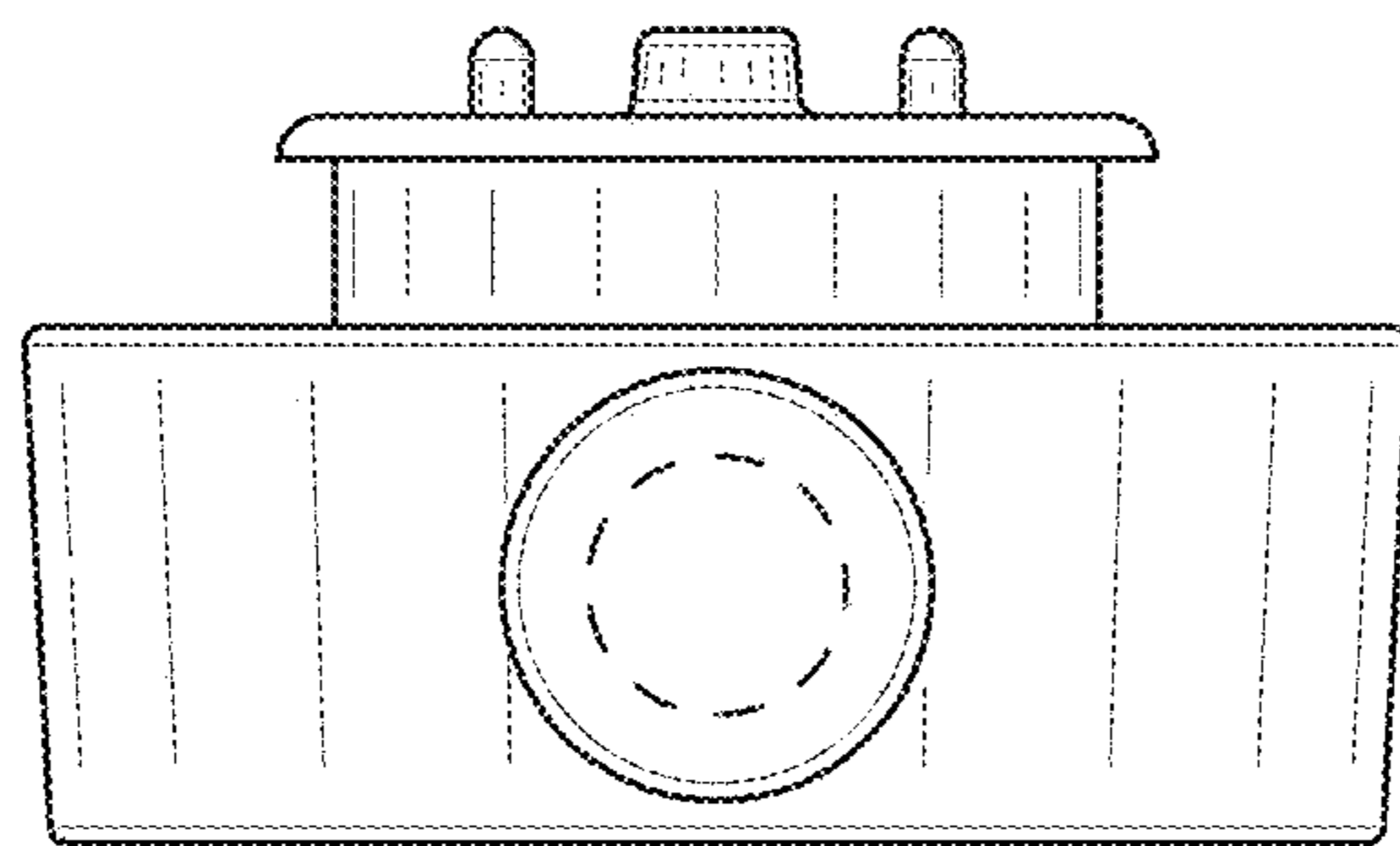


FIG. 3

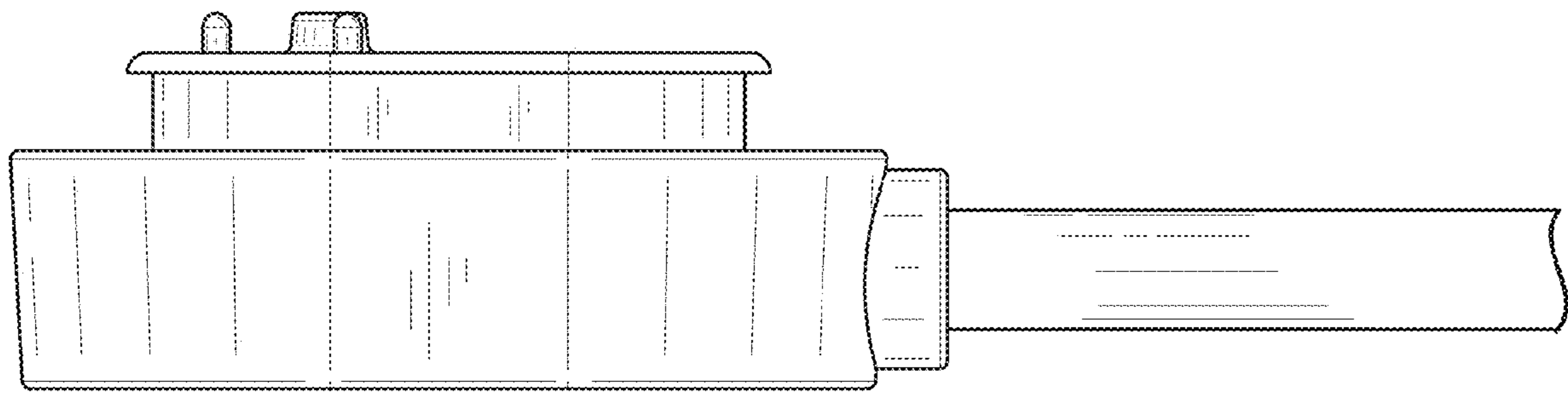


FIG. 4

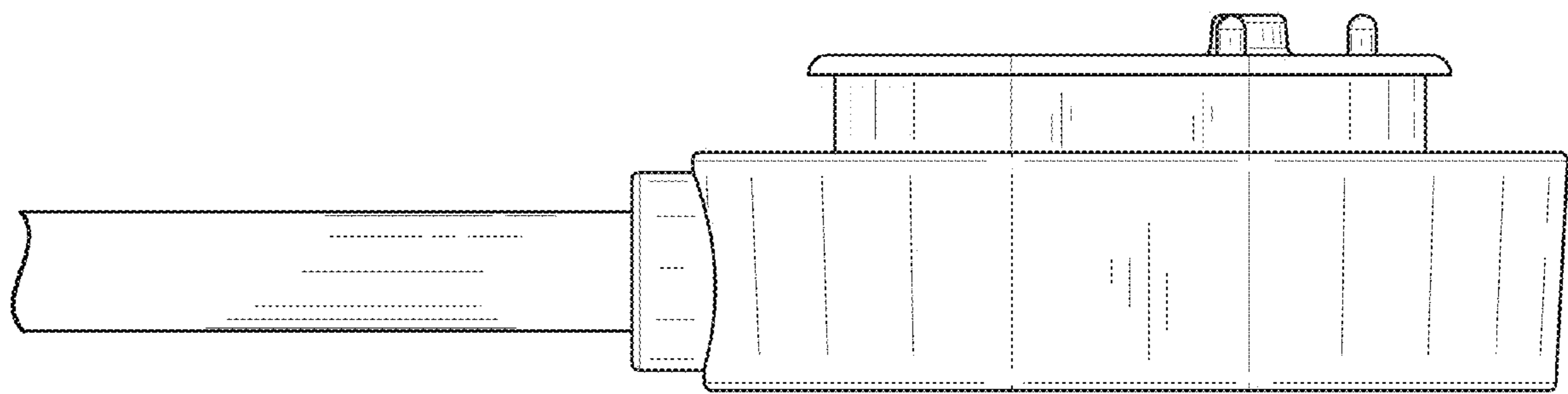


FIG. 5

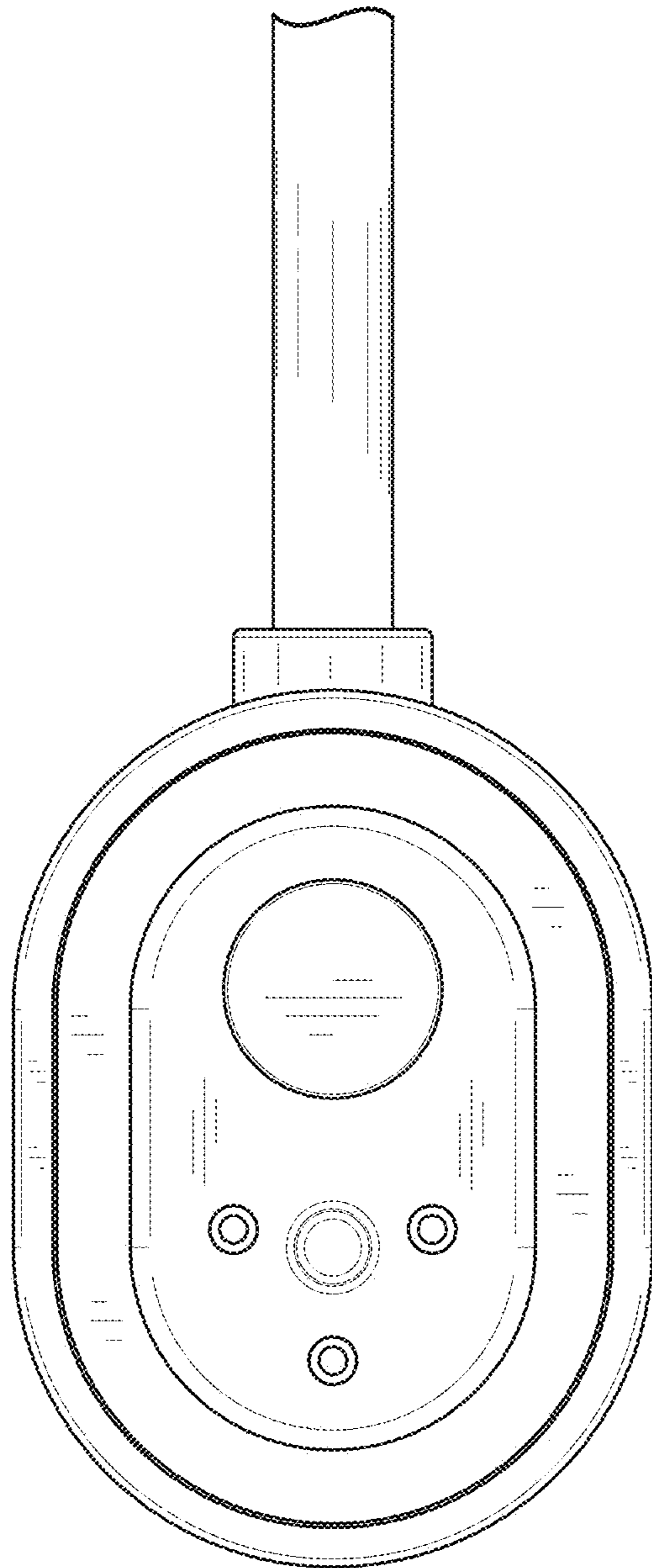


FIG. 6

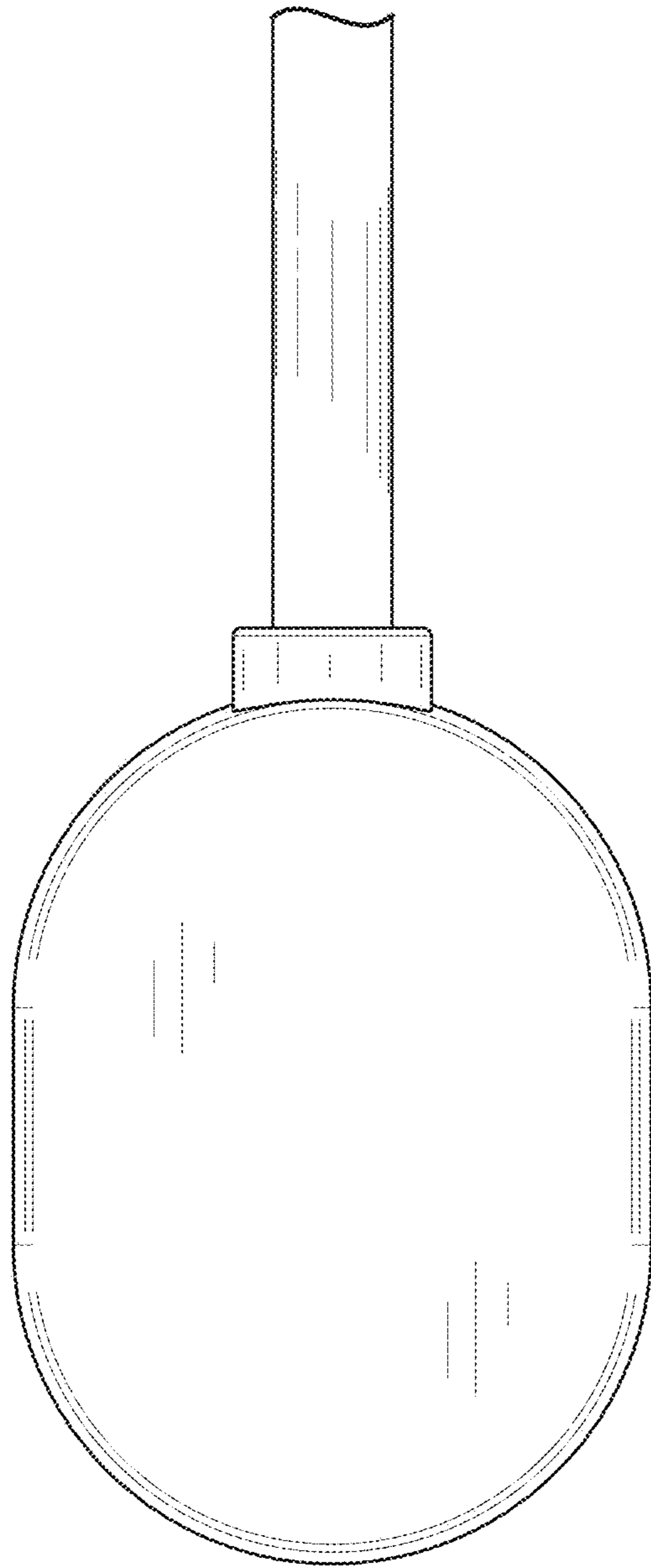


FIG. 7