



US00D913945S

(12) **United States Design Patent**
Jung et al.

(10) **Patent No.:** **US D913,945 S**
(45) **Date of Patent:** **** Mar. 23, 2021**

(54) **CONNECTOR FOR SIGNAL TRANSMISSION**
(71) Applicant: **GigaLane Co., Ltd.**, Hwaseong-si (KR)
(72) Inventors: **Kyung Hun Jung**, Hwaseong-si (KR);
Hwa Yoon Song, Hwaseong-si (KR);
Jin Uk Lee, Hwaseong-si (KR); **Hee seok Jung**, Hwaseong-si (KR); **Chang Hyun Yang**, Hwaseong-si (KR); **Sun Hwa Cha**, Hwaseong-si (KR); **Eun Jung Kim**, Hwaseong-si (KR)

(73) Assignee: **GigaLane Co., Ltd.**, Hwaseong-si (KR)

(**) Term: **15 Years**

(21) Appl. No.: **35/507,401**

(22) Filed: **Jan. 10, 2019**

(80) **Hague Agreement Data**

Int. Filing Date: **Jan. 10, 2019**
Int. Reg. No.: **DM/202527**
Int. Reg. Date: **Jan. 10, 2019**
Int. Reg. Pub. Date: **Sep. 6, 2019**

(30) **Foreign Application Priority Data**

Aug. 1, 2018 (KR) 30-2018-0035734

(51) **LOC (13) Cl.** **13-03**

(52) **U.S. Cl.**
USPC **D13/133**

(58) **Field of Classification Search**
USPC D13/133, 154, 151, 120, 146, 149, 156
CPC H01R 2103/00; H01R 24/40; H01R 24/38;
H01R 9/05; H01R 13/6275; H01R
13/052; H01R 13/187; H01R 13/6277;
H02G 3/0481
See application file for complete search history.

(56) **References Cited**

U.S. PATENT DOCUMENTS

4,106,839 A * 8/1978 Cooper H01R 13/6583
439/607.18
4,377,320 A * 3/1983 Lathrop H01R 24/40
439/585

4,493,525 A * 1/1985 Hall H01R 13/6593
439/607.47
5,180,315 A * 1/1993 Nagashima H01R 24/50
439/581
5,466,160 A * 11/1995 Ogura H01R 24/50
333/260
5,556,292 A * 9/1996 Kato H01R 13/052
439/218
D407,370 S * 3/1999 Wang D13/133
6,074,217 A * 6/2000 Maruyama H01R 13/20
439/581
6,267,612 B1 * 7/2001 Arcykiewicz H01R 13/6275
439/253
D457,496 S * 5/2002 Ko D13/133
D517,496 S * 3/2006 Montena D13/151
7,018,220 B2 * 3/2006 Zemba H01R 9/032
439/98
7,044,771 B2 * 5/2006 Holliday H01R 9/0518
174/112
D535,619 S * 1/2007 Nagata D13/133

(Continued)

Primary Examiner — Nathaniel D. Buckner

(74) Attorney, Agent, or Firm — Syncoda LLC; Feng Ma

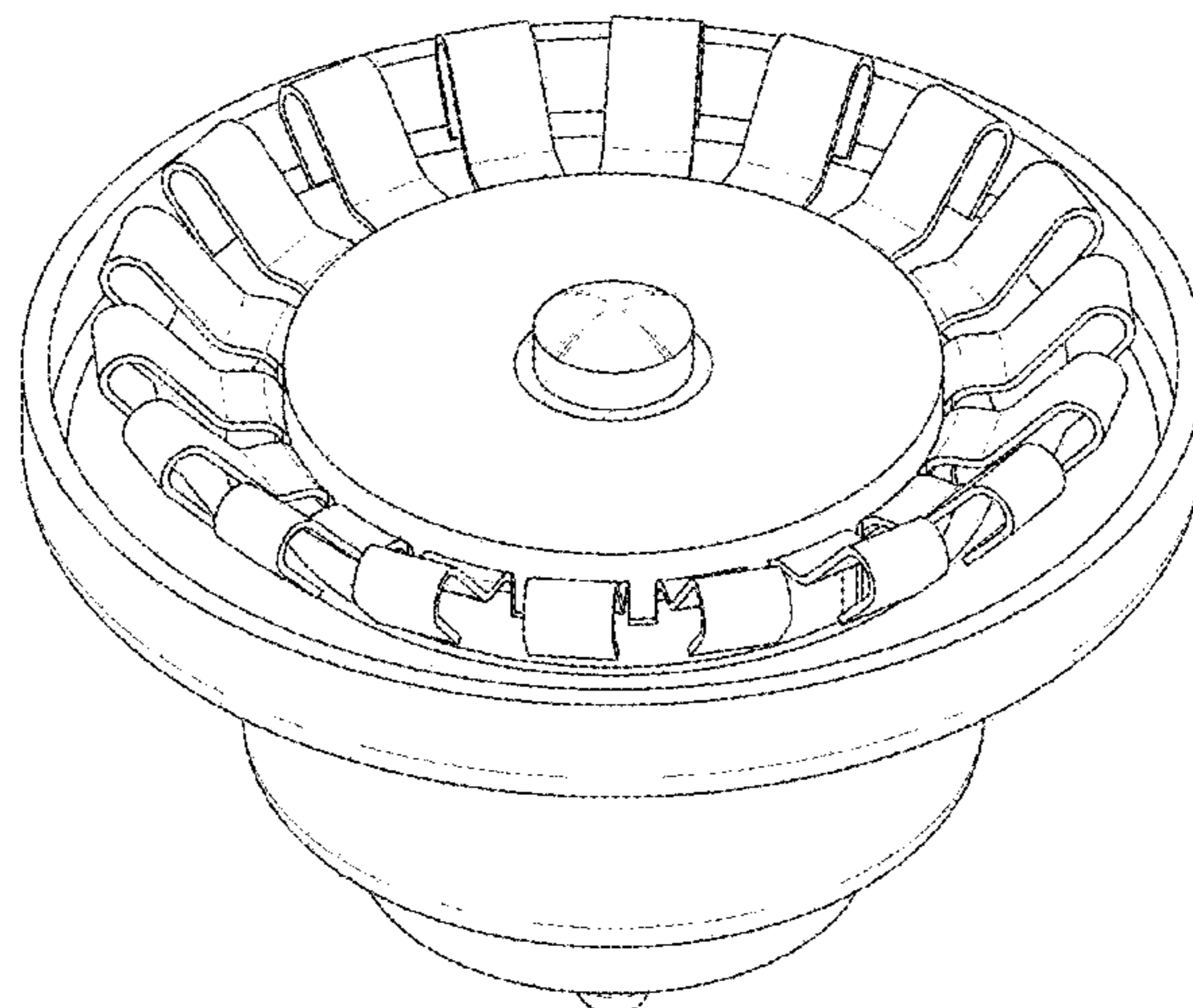
(57) **CLAIM**

The ornamental design for a connector for signal transmission, as shown and described.

DESCRIPTION

- 1.1 : Perspective
- 1.2 : Front
- 1.3 : Back
- 1.4 : Left
- 1.5 : Right
- 1.6 : Top
- 1.7 : Bottom
- 1.8 : Perspective

1 Claim, 8 Drawing Sheets



(56)

References Cited

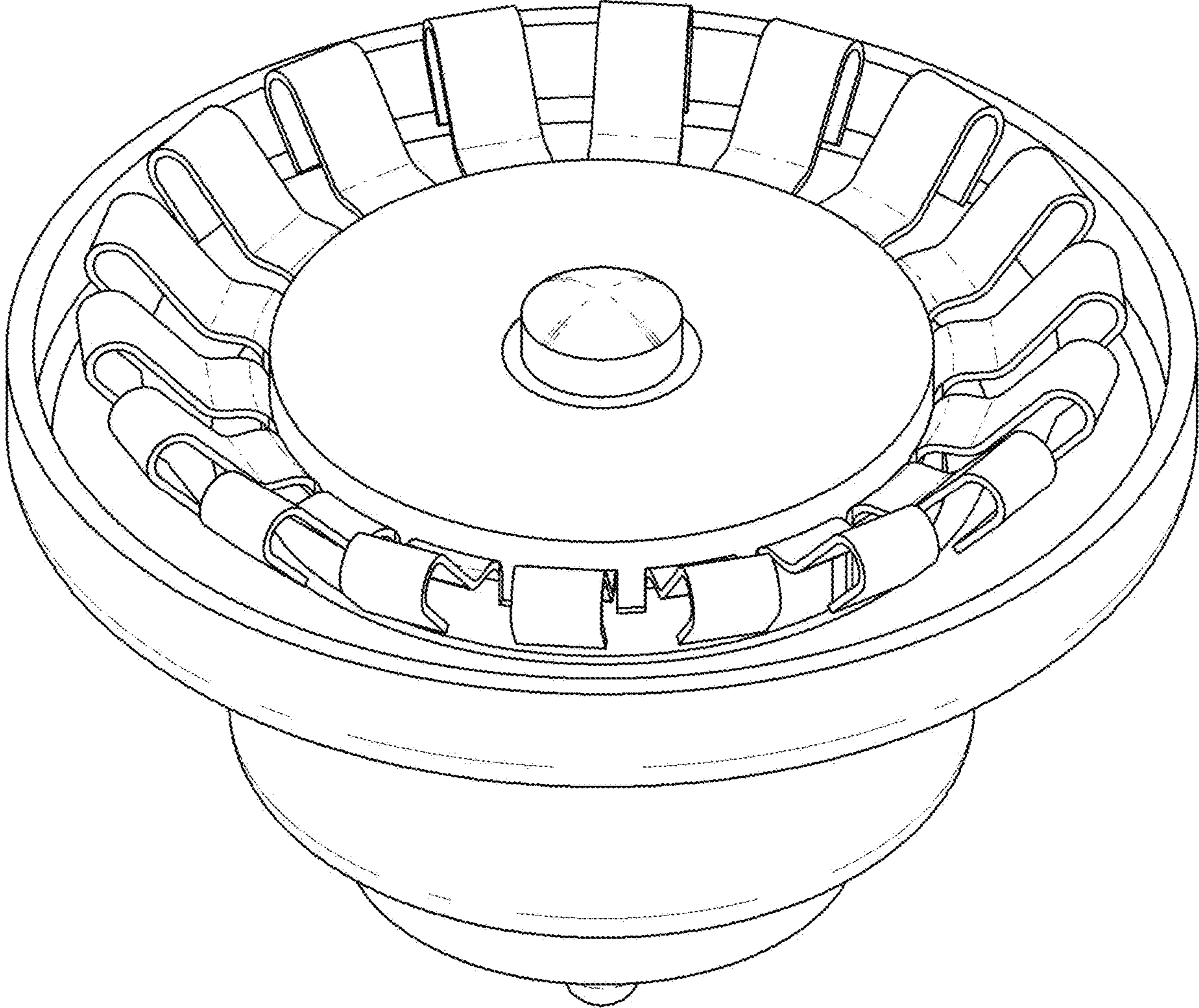
U.S. PATENT DOCUMENTS

D569,800 S * 5/2008 Holliday D13/133
 D574,782 S * 8/2008 Chawgo D13/133
 D574,783 S * 8/2008 Chawgo D13/133
 D574,784 S * 8/2008 Chawgo D13/133
 D575,741 S * 8/2008 Yamane D13/133
 D577,683 S * 9/2008 Chawgo D13/133
 D578,077 S * 10/2008 Amidon D13/133
 D578,488 S * 10/2008 Amidon D13/133
 D580,874 S * 11/2008 Amidon D13/133
 D606,494 S * 12/2009 Holliday D13/133
 D619,092 S * 7/2010 Eilertsen D13/120
 D619,093 S * 7/2010 Eilertsen D13/120
 D619,094 S * 7/2010 Eilertsen D13/120
 D639,747 S * 6/2011 Holliday D13/149
 D643,370 S * 8/2011 Eriksen D13/154
 D661,256 S * 6/2012 Shawgo D13/151

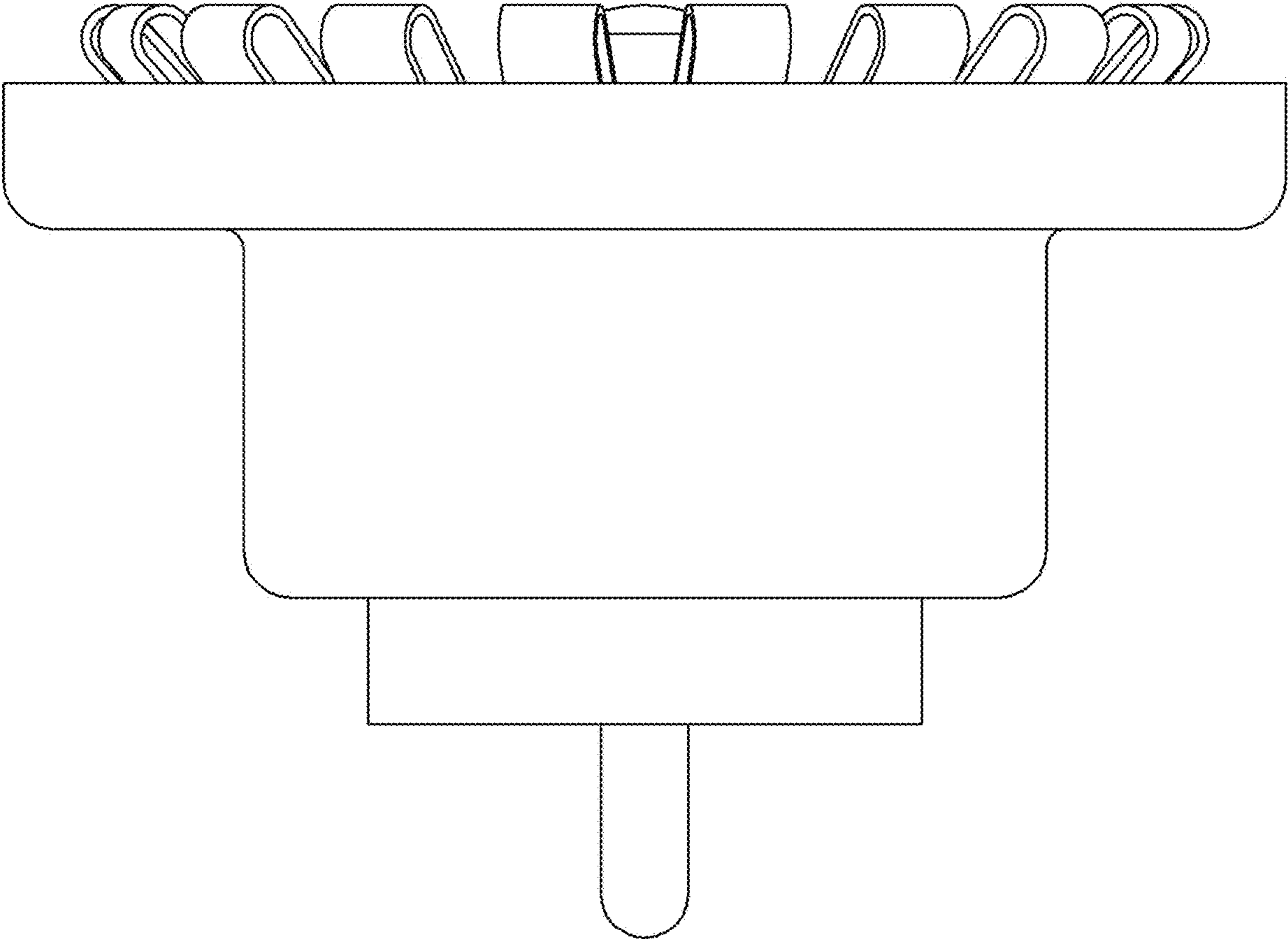
8,469,739 B2 * 6/2013 Rodrigues H01R 13/622
 439/578
 8,556,656 B2 * 10/2013 Thomas H01R 9/0521
 439/584
 8,753,147 B2 * 6/2014 Montena H01R 13/622
 439/578
 9,071,019 B2 * 6/2015 Burris H01R 13/639
 9,214,771 B2 * 12/2015 Nugent H01R 9/05
 D779,434 S * 2/2017 Dobler D13/133
 9,590,345 B2 * 3/2017 Wollitzer H01R 13/2457
 9,893,466 B2 * 2/2018 Wu H01R 13/6277
 D833,980 S * 11/2018 Edmonds D13/156
 2006/0205272 A1 * 9/2006 Rodrigues H01R 9/0524
 439/585
 2014/0342594 A1 * 11/2014 Montena H01R 9/0524
 439/359
 2015/0118901 A1 * 4/2015 Burris H01R 24/38
 439/584

* cited by examiner

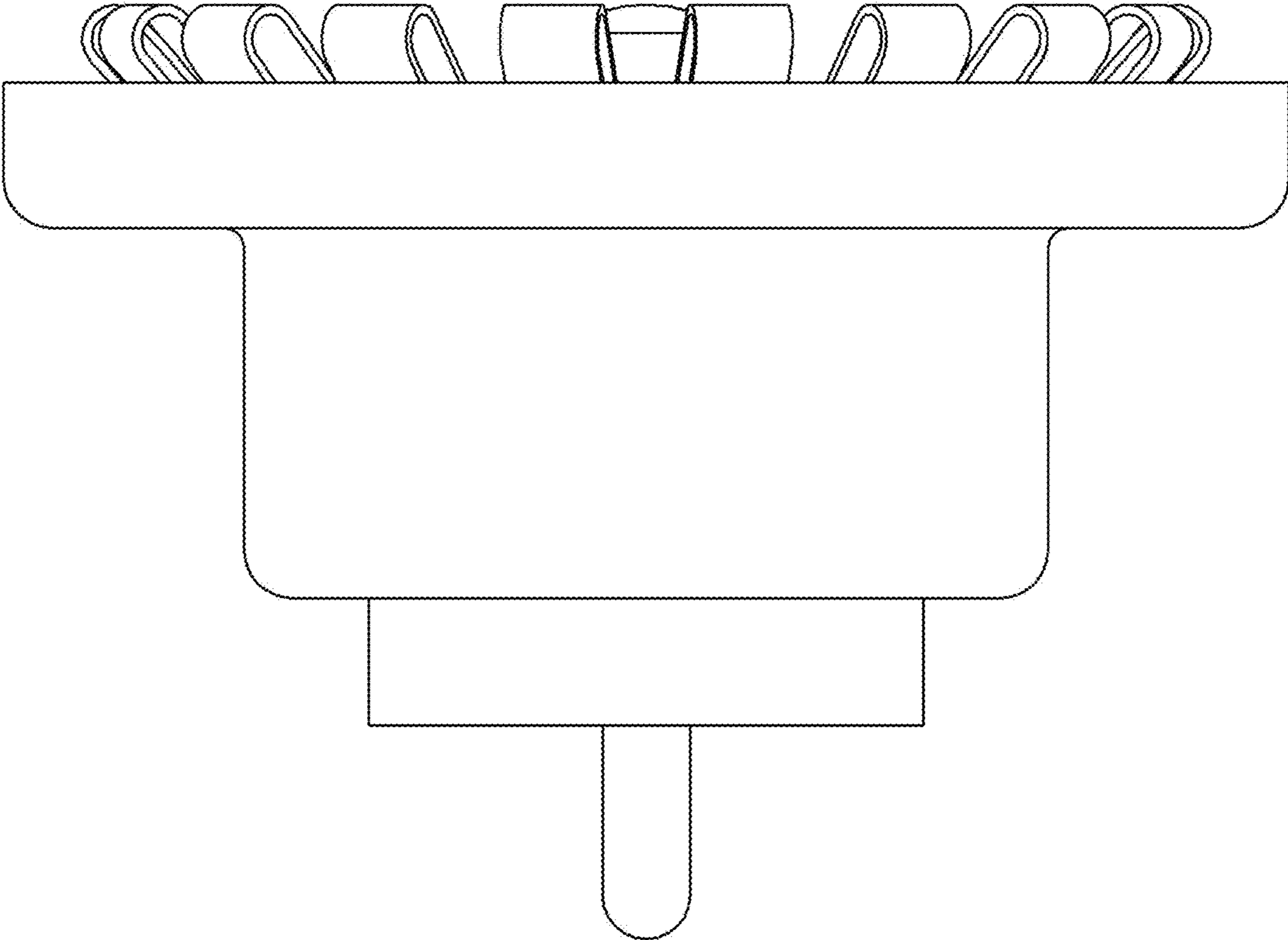
1.1



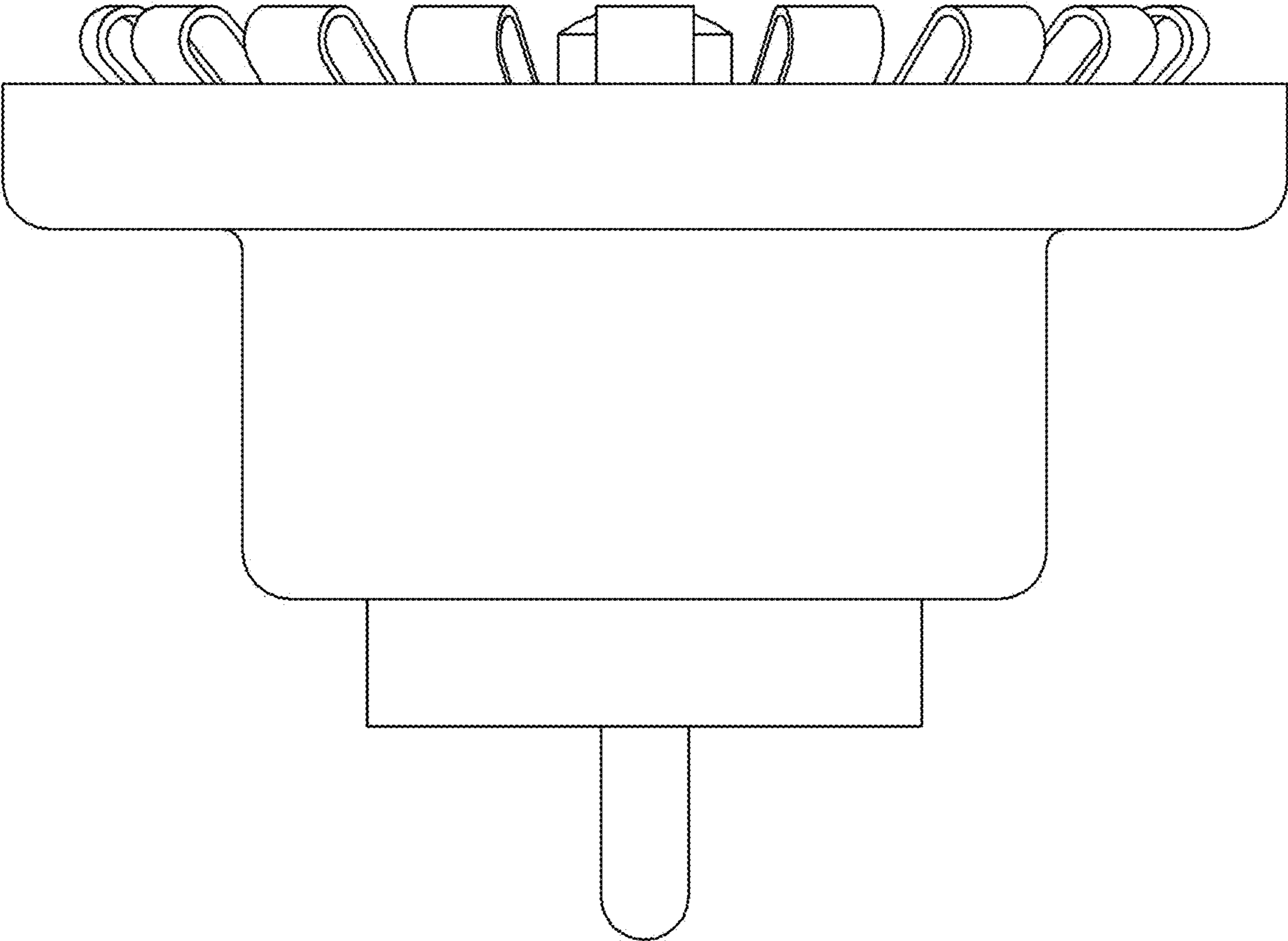
1.2



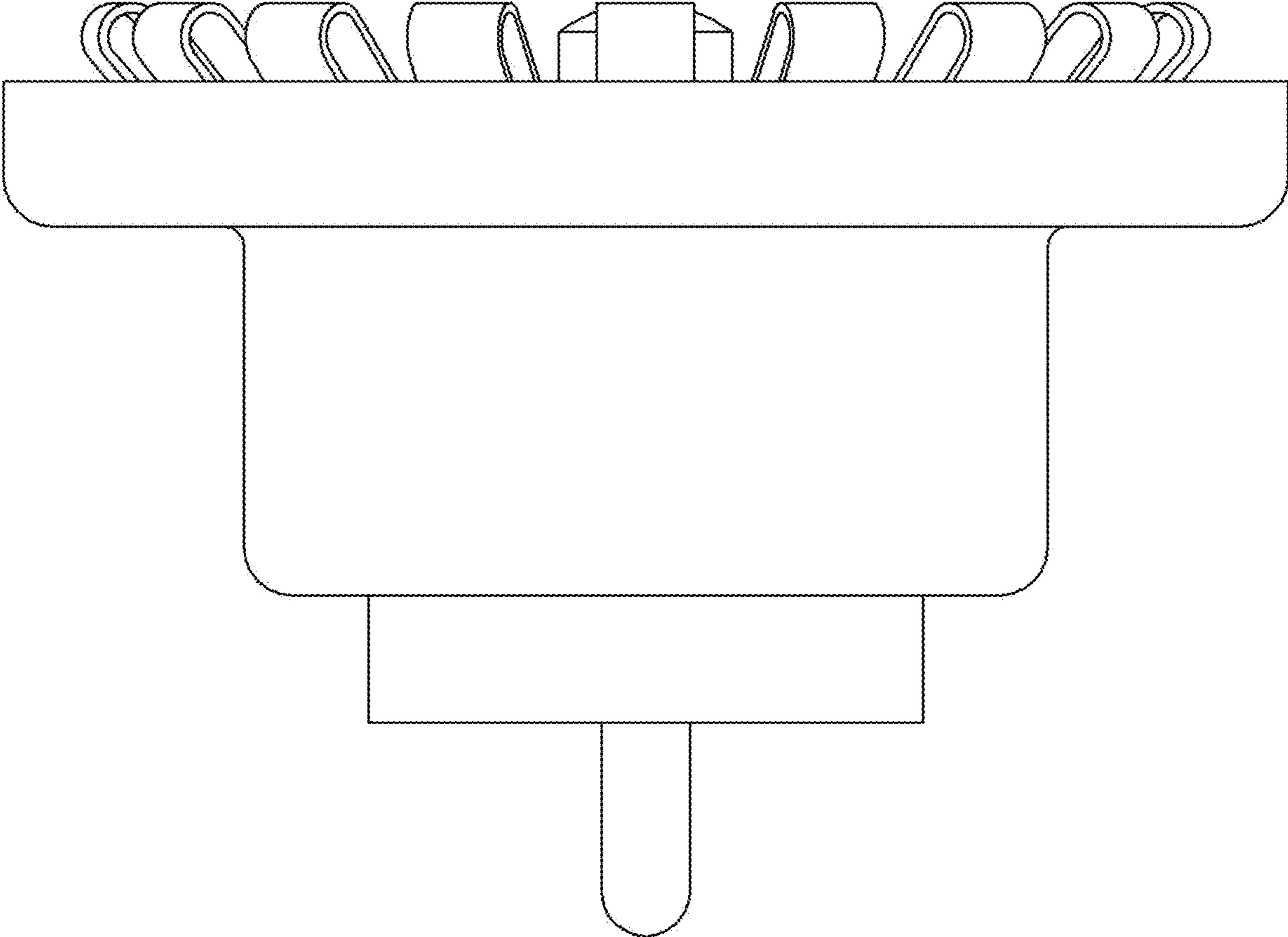
1.3



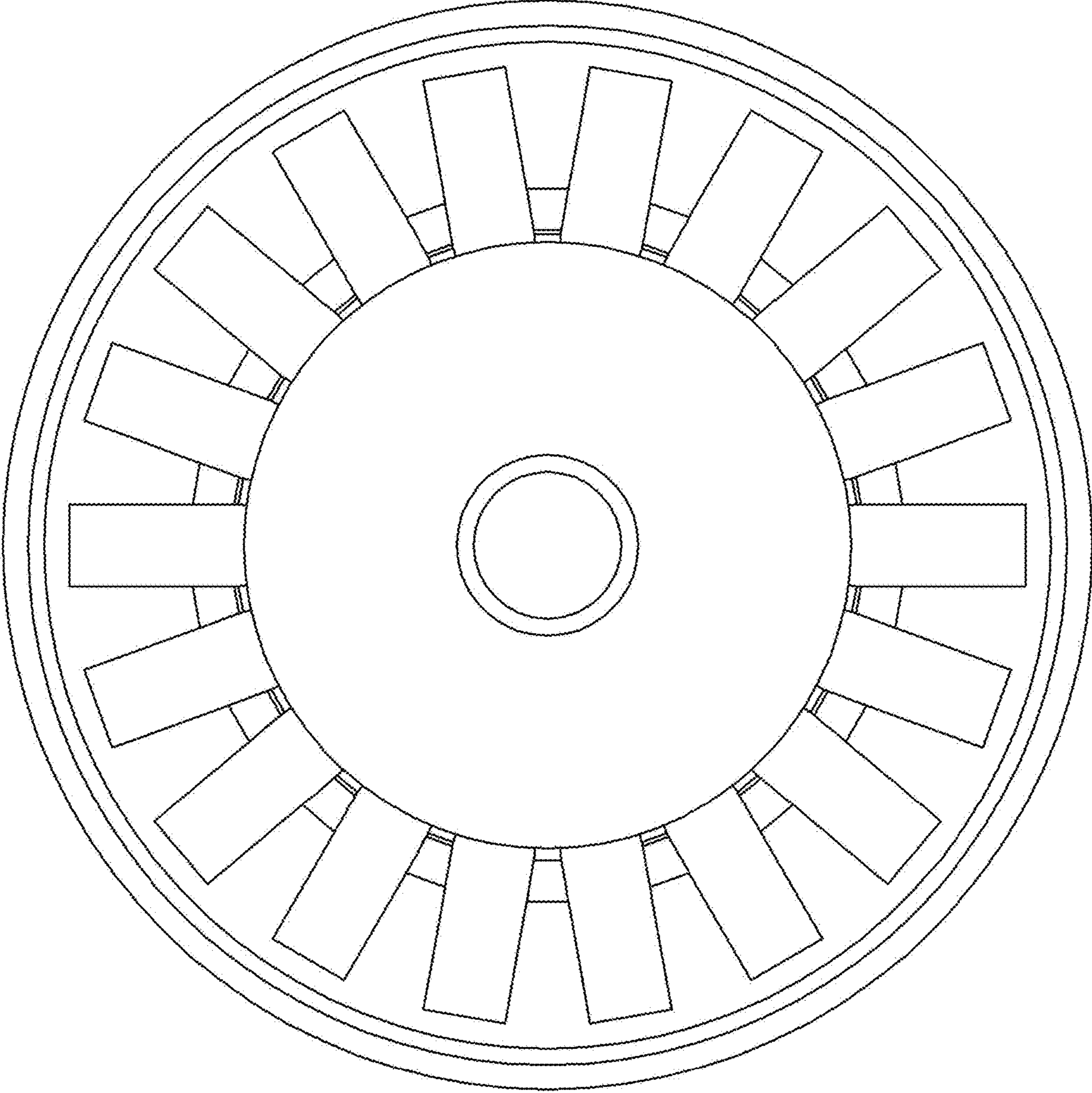
1.4



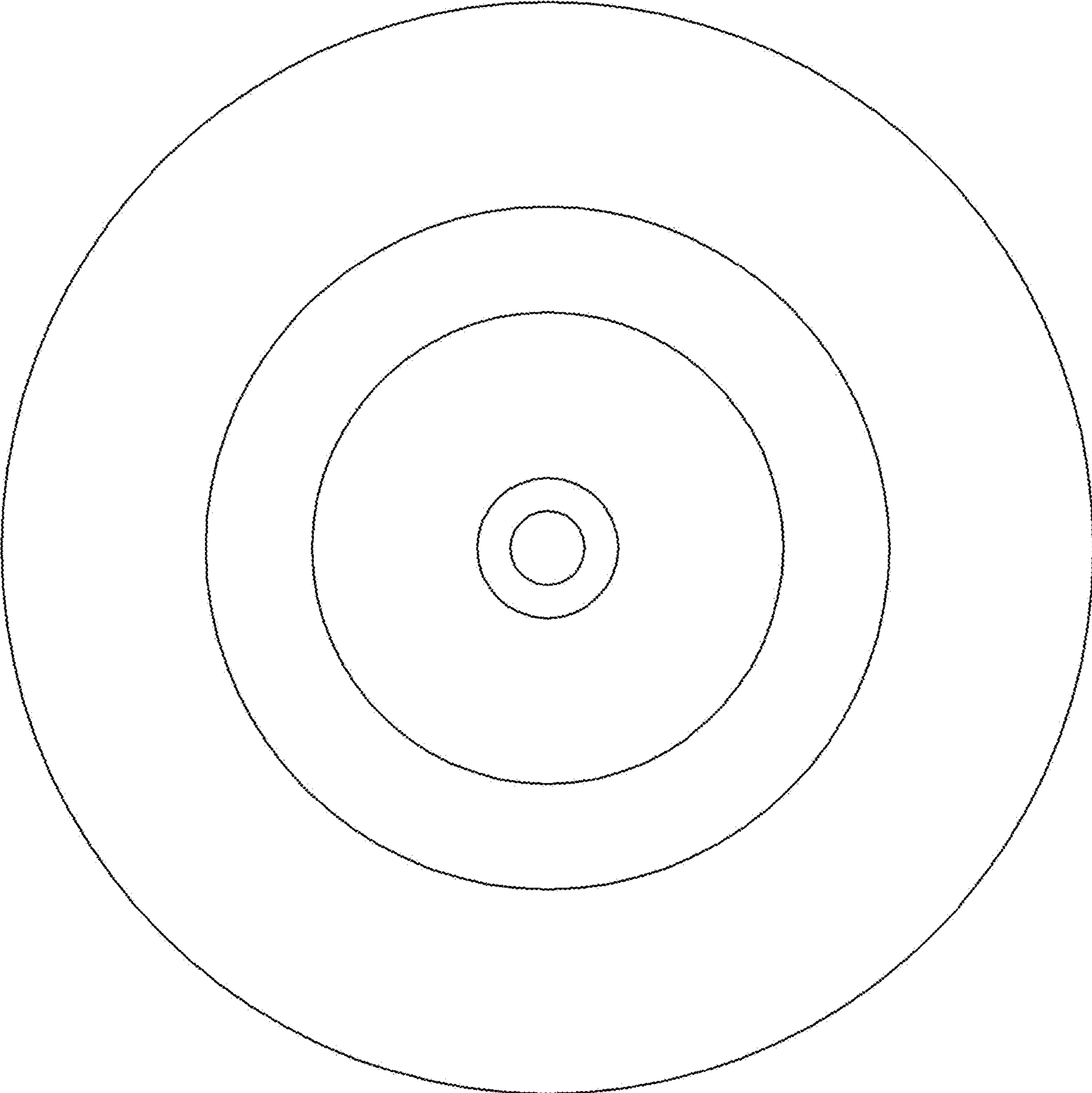
1.5



1.6



1.7



1.8

