



US00D913944S

(12) **United States Design Patent** (10) **Patent No.:** **US D913,944 S**
Mandal et al. (45) **Date of Patent:** **** Mar. 23, 2021**

(54) **CONNECTOR**

(71) Applicant: **Sunbeam Products, Inc.**, Boca Raton, FL (US)

(72) Inventors: **Lalit Mandal**, Boca Raton, FL (US);
Jill Walters, Delray Beach, FL (US)

(73) Assignee: **Sunbeam Products, Inc.**, Boca Raton, FL (US)

(**) Term: **15 Years**

(21) Appl. No.: **29/683,721**

(22) Filed: **Mar. 15, 2019**

(51) **LOC (13) Cl.** **13-03**

(52) **U.S. Cl.**

USPC **D13/133; D13/147**

(58) **Field of Classification Search**

USPC D13/133, 146, 147, 153, 154, 155, 172,
D13/184, 156

CPC H01R 13/02; H01R 13/436; H01R 13/502;
H01R 13/504; H01R 13/506; H01R
13/62; H01R 13/64; H01R 13/641

See application file for complete search history.

(56) **References Cited**

U.S. PATENT DOCUMENTS

D365,640 S	*	12/1995	Doyle	D24/206
D451,076 S	*	11/2001	Sommer	D13/168
D451,077 S	*	11/2001	Montagnino	D13/168
D451,483 S	*	12/2001	Montagnino	D10/49
D456,366 S	*	4/2002	Montagnino	D13/168
D480,370 S	*	10/2003	Kosumsuppamala	D13/168
D481,364 S	*	10/2003	Kosumsuppamala	D13/168
D499,086 S	*	11/2004	Polito	D14/218
D512,967 S	*	12/2005	Kosumsuppamala	D13/168

(Continued)

FOREIGN PATENT DOCUMENTS

CN 305780949 * 5/2020

OTHER PUBLICATIONS

Mattress Pad, available on Apr. 16, 2012, [online], [site visited Oct. 26, 2020], Available from Internet URL: <https://www.amazon.ca/Sunbeam-MA7201-030-000-Heated-Electric-Mattress/dp/B00544B1BY?th=1>.*

Primary Examiner — Karen E Kearney

Assistant Examiner — Michael Chong

(74) *Attorney, Agent, or Firm* — Husch Blackwell LLP

(57) **CLAIM**

We claim the ornamental design for a connector, as shown and described.

DESCRIPTION

FIG. 1 is a perspective view of a connector shown with male and female ends engaged with one another, in accordance with our new design;

FIG. 2 is a right side elevation view thereof;

FIG. 3 is a left side elevation view thereof;

FIG. 4 is a rear elevation view thereof;

FIG. 5 is a front elevation view thereof;

FIG. 6 is a top plan view thereof;

FIG. 7 is a bottom plan view thereof;

FIG. 8 is a perspective view of the connector shown with the male and female ends exploded from one another, in accordance with our new design;

FIG. 9 is a right side elevation view thereof;

FIG. 10 is a left side elevation view thereof;

FIG. 11 is a rear elevation view thereof;

FIG. 12 is a front elevation view thereof;

FIG. 13 is a top plan view thereof;

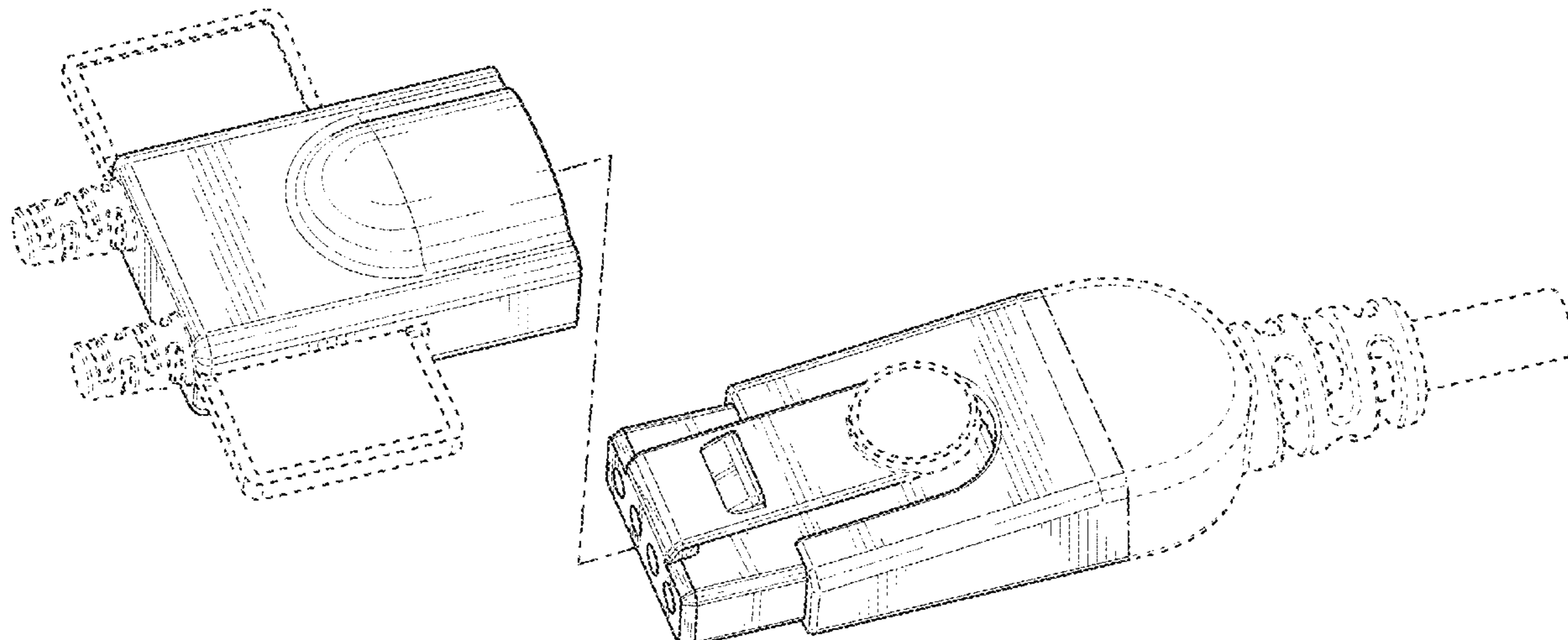
FIG. 14 is a bottom plan view thereof; and,

FIG. 15 is a perspective view of the female end separate from the male end.

Broken lines and the area within the broken lines are for illustrative purposes only and form no part of the claimed design.

The dot dash broken lines define the bounds of the claimed design and form no part thereof.

1 Claim, 12 Drawing Sheets



(56)

References Cited

U.S. PATENT DOCUMENTS

D514,526 S * 2/2006 Chen D13/168
D586,750 S * 2/2009 Li
8,632,478 B2 * 1/2014 Alkhattaf A61F 7/007
601/15
D710,828 S * 8/2014 Liu D14/218
D731,666 S * 6/2015 Chandler D24/206
D791,335 S * 7/2017 Buchanan D24/206
D892,059 S * 8/2020 Zhang D13/147
2020/0274299 A1 * 8/2020 Hashimoto H01R 13/6594
2020/0287328 A1 * 9/2020 Cohen H01R 13/64

* cited by examiner

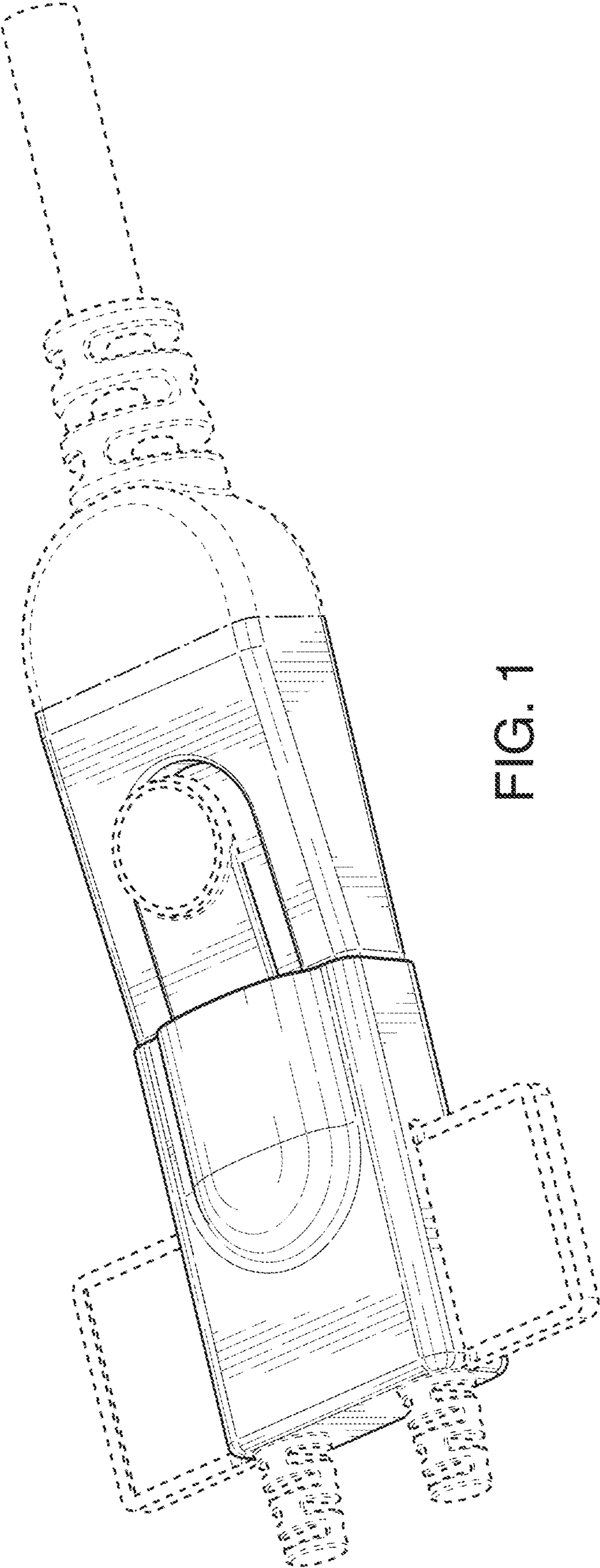


FIG. 1

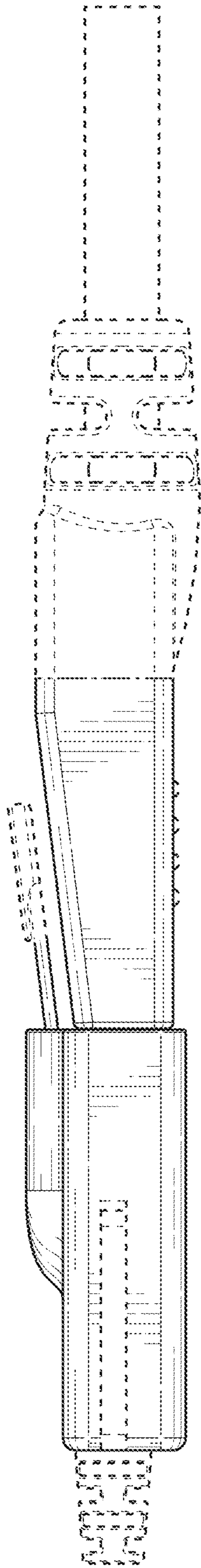


FIG. 2

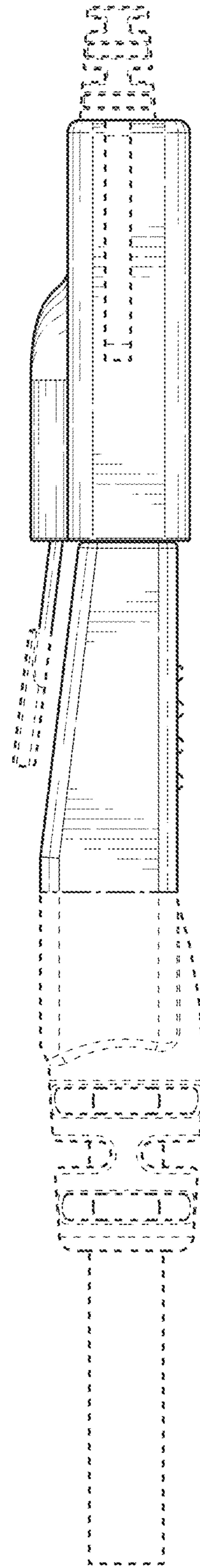


FIG. 3

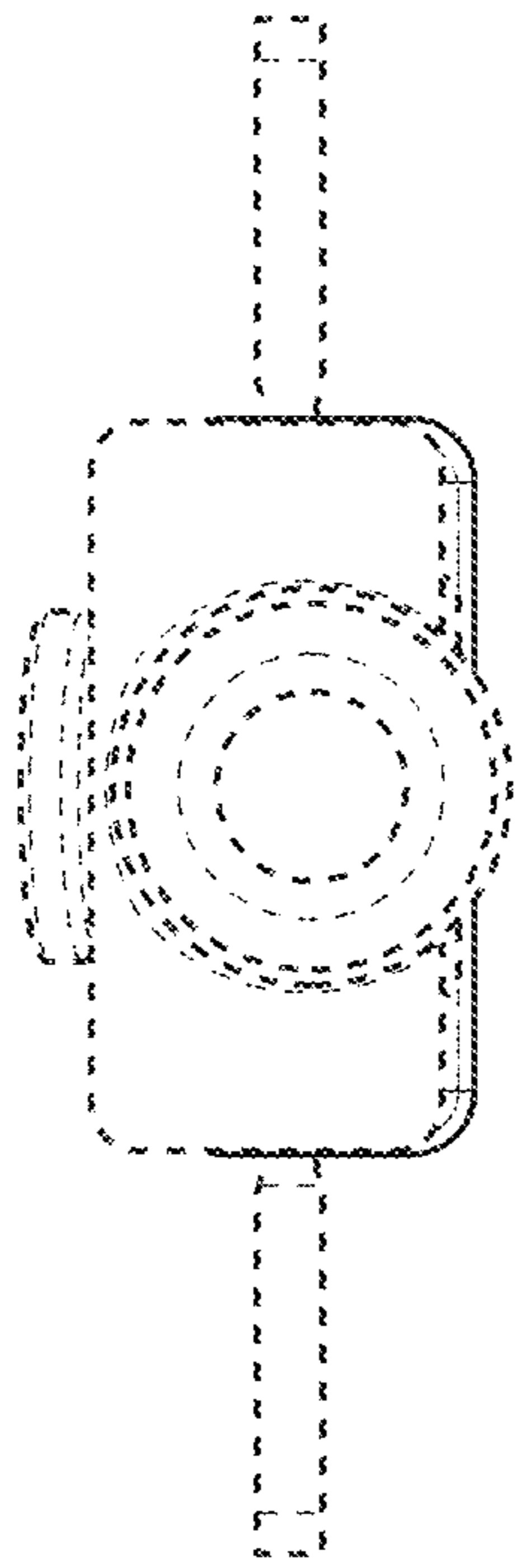


FIG. 4

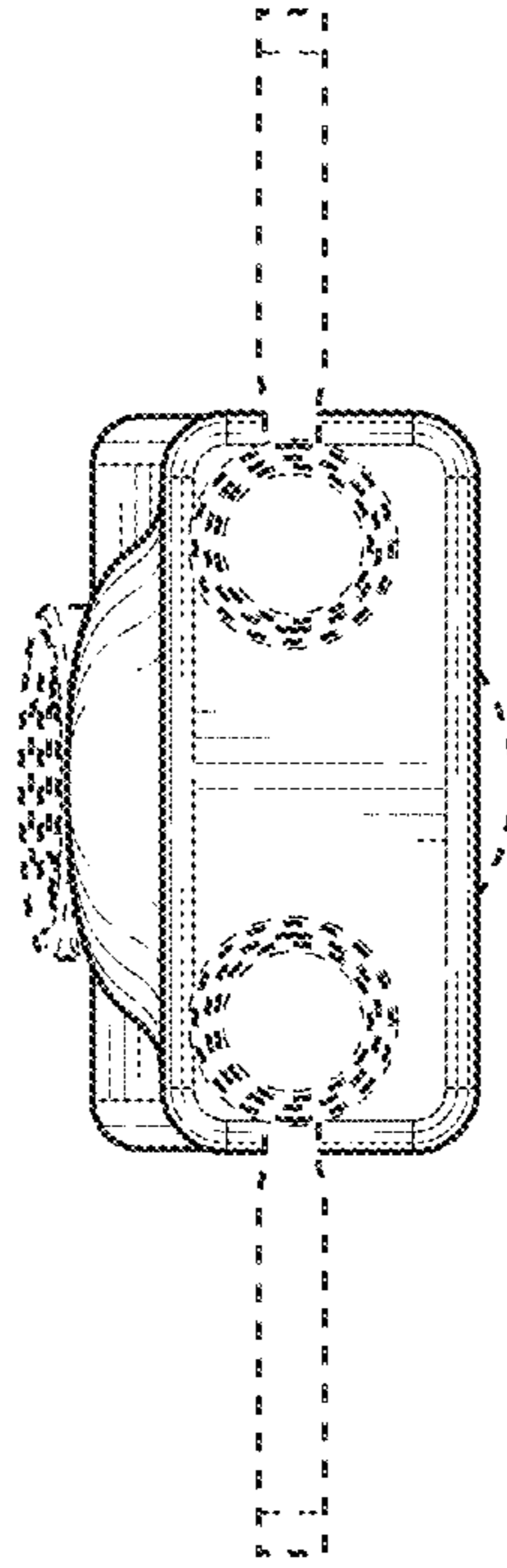


FIG. 5

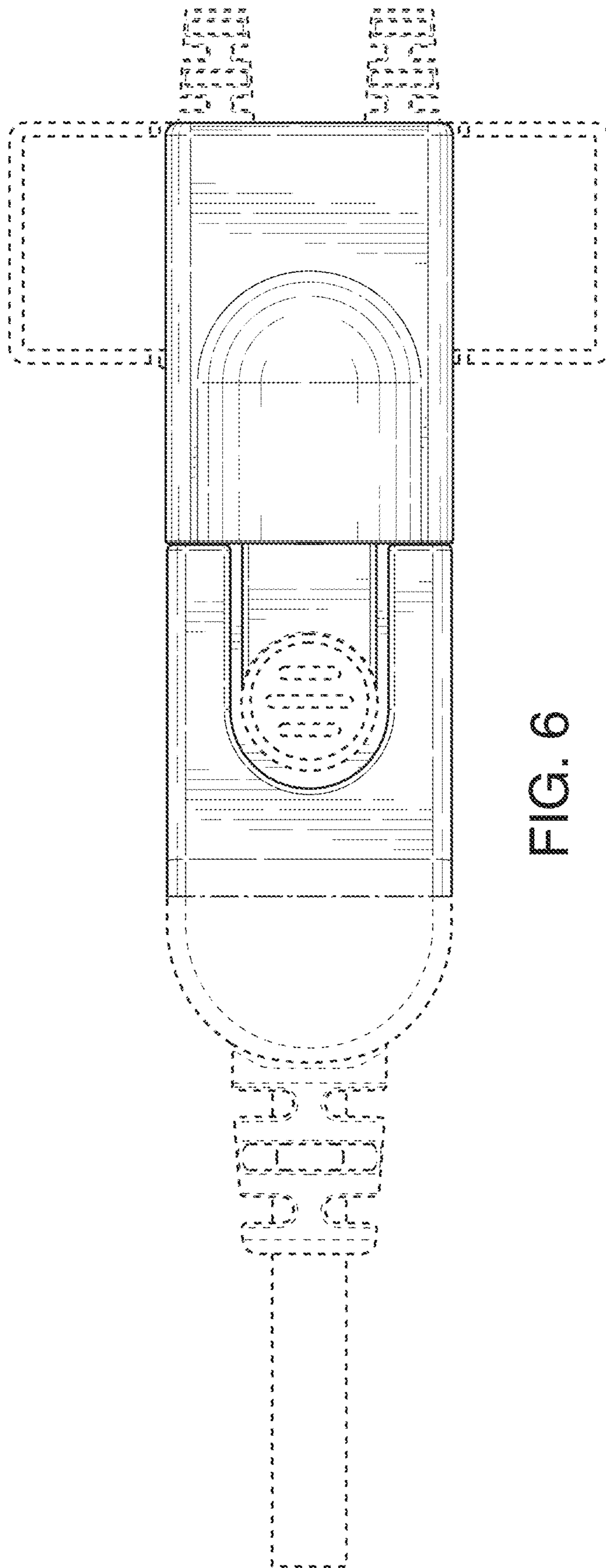


FIG. 6

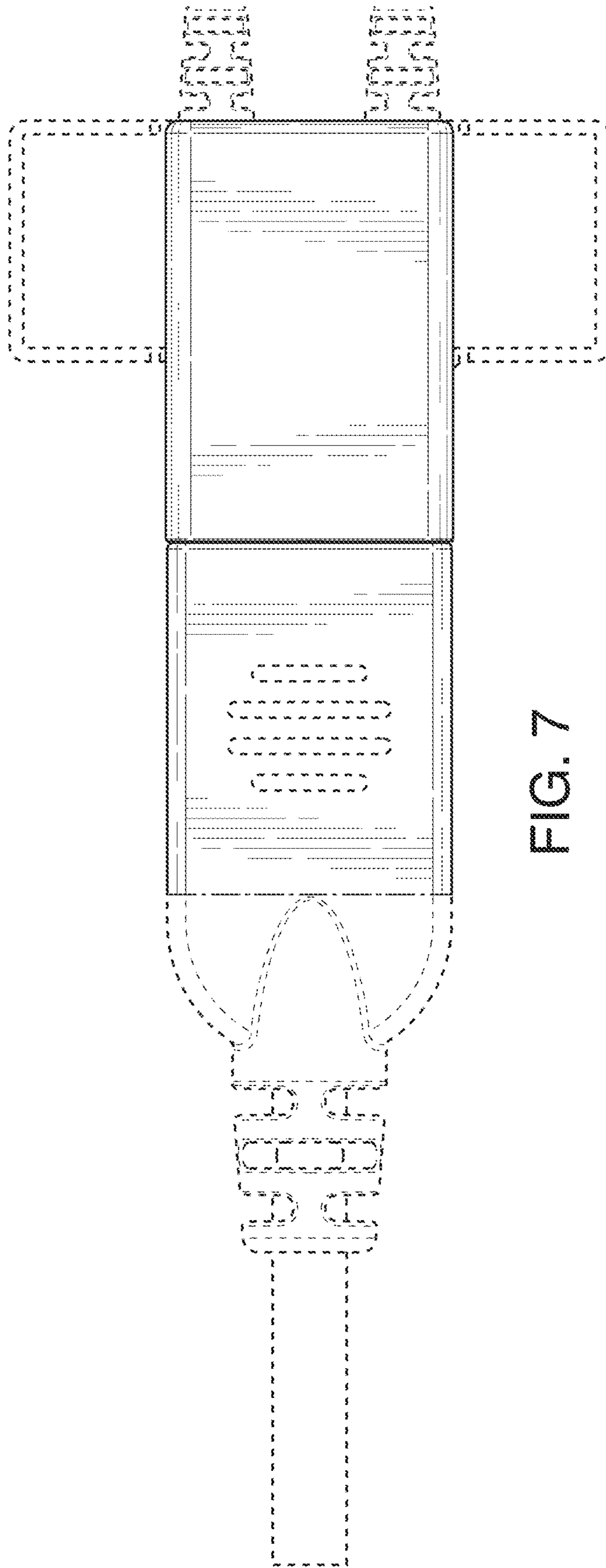


FIG. 7

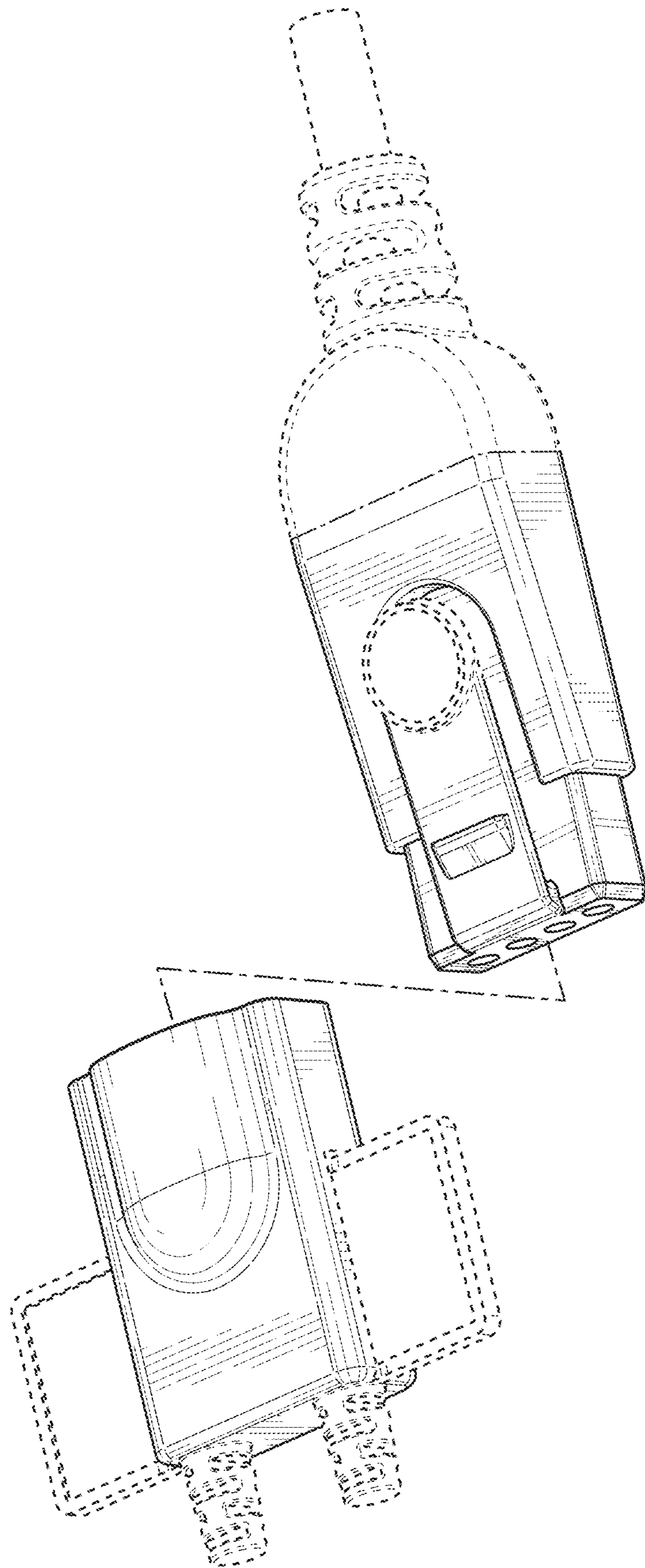


FIG. 8

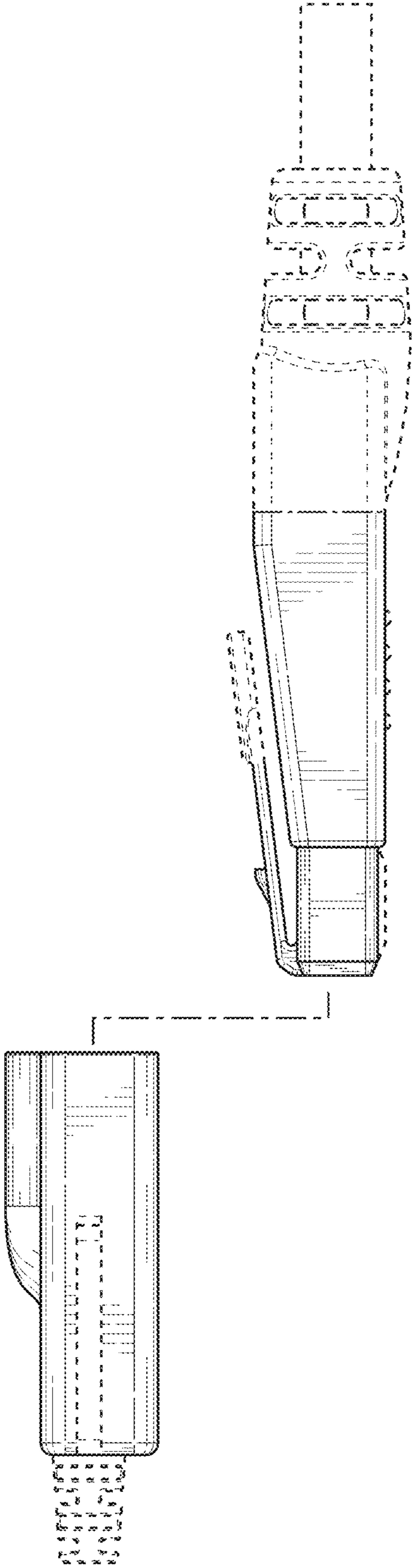


FIG. 9

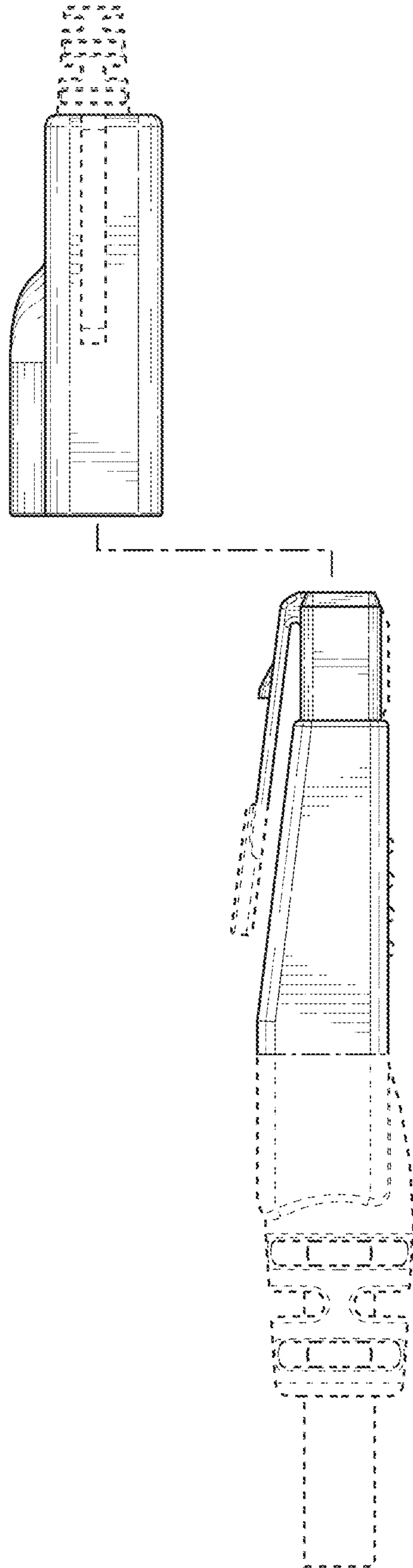


FIG. 10

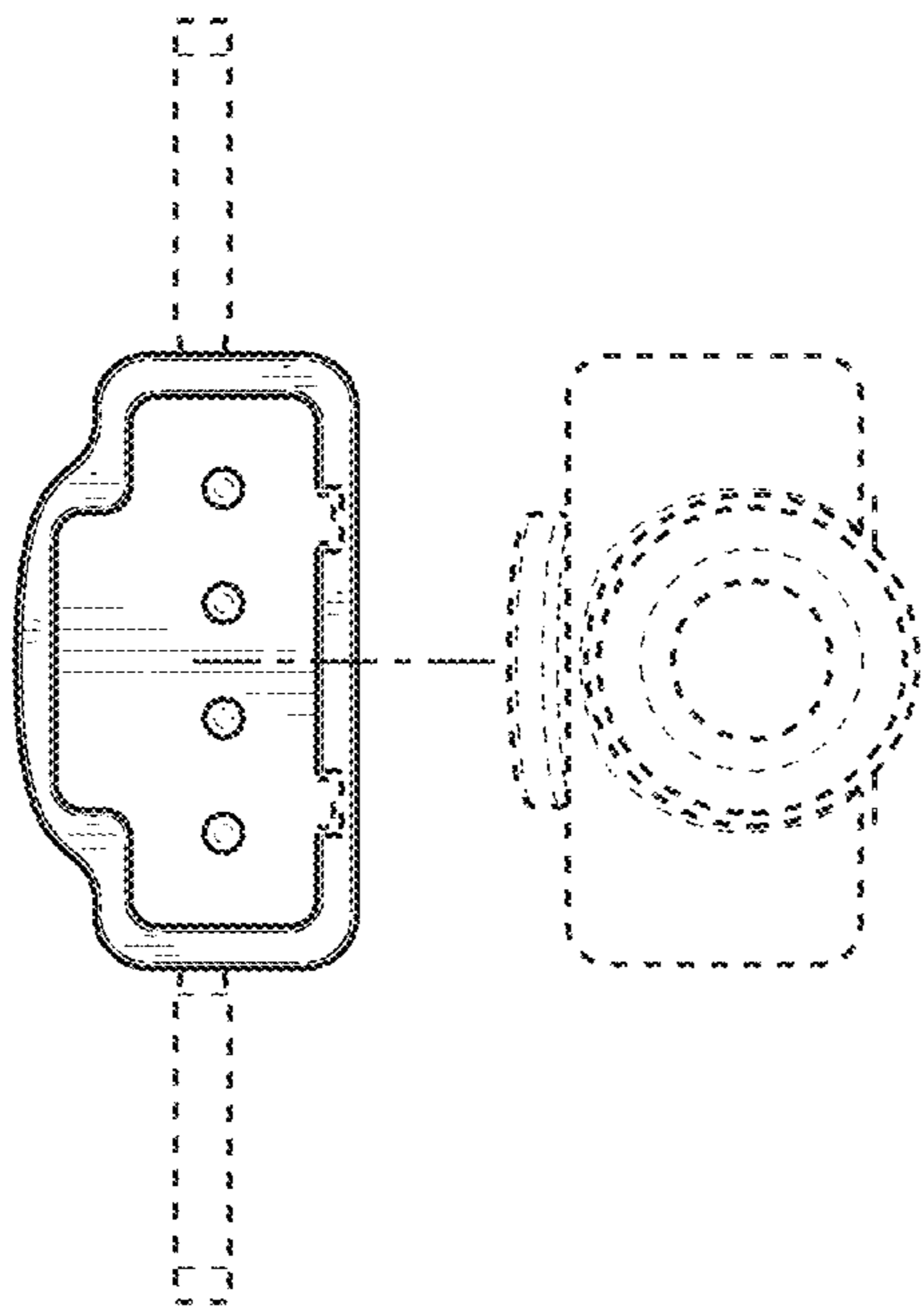


FIG. 11

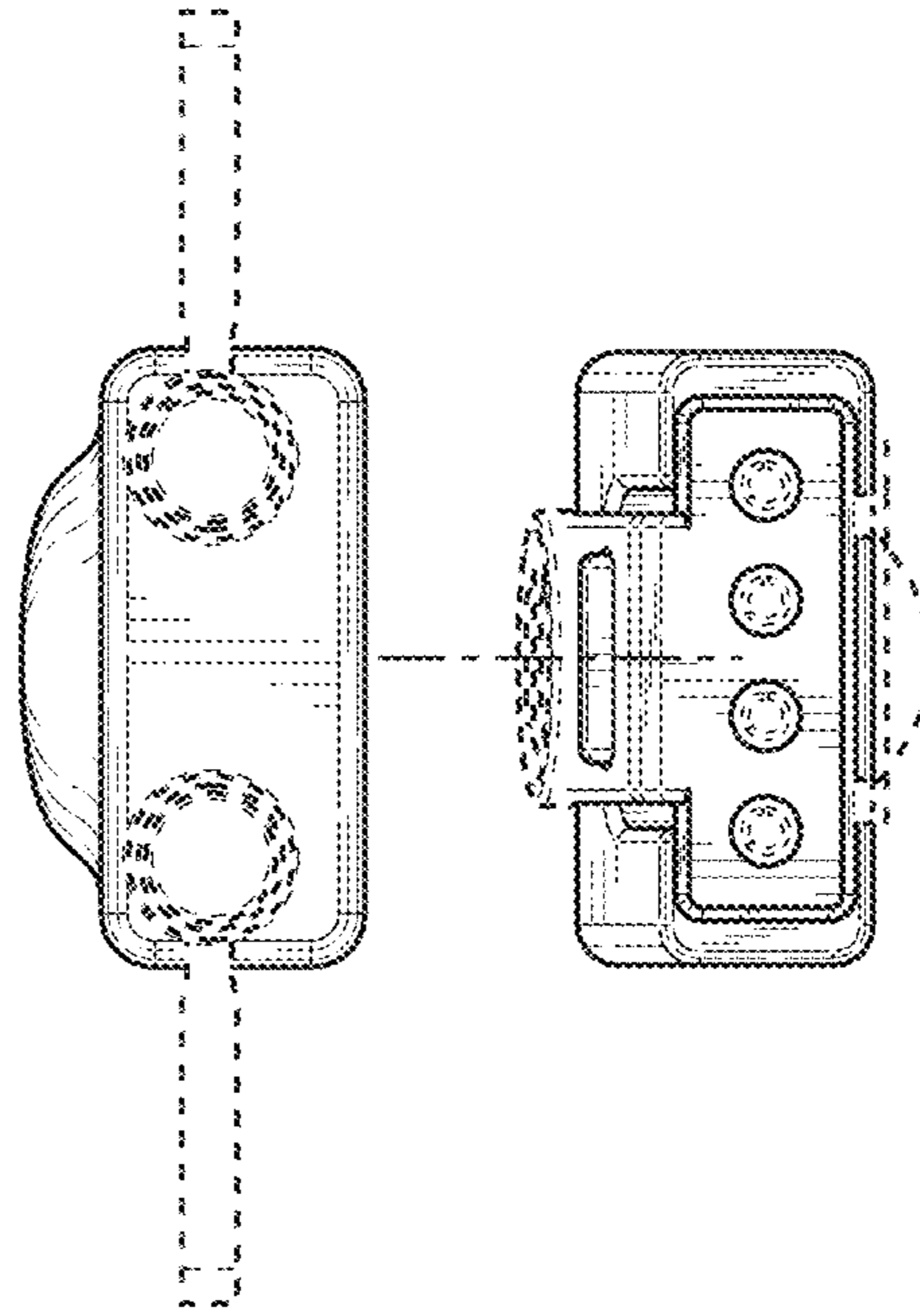


FIG. 12

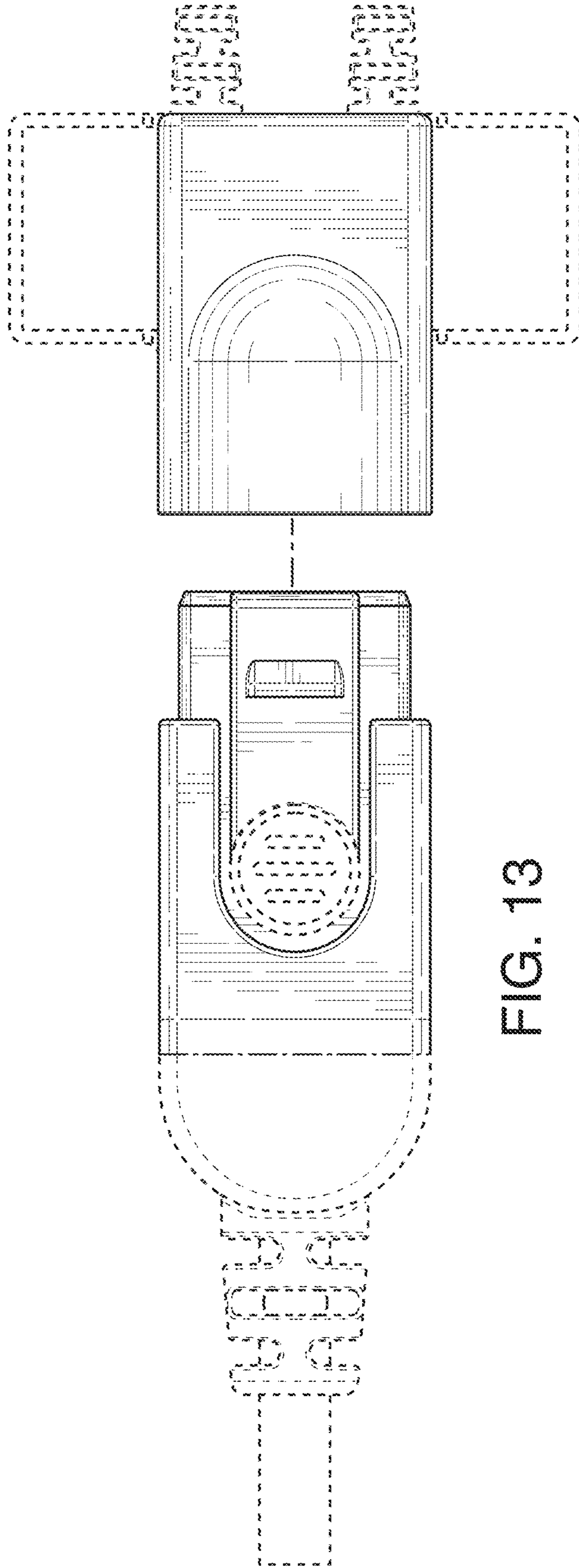


FIG. 13

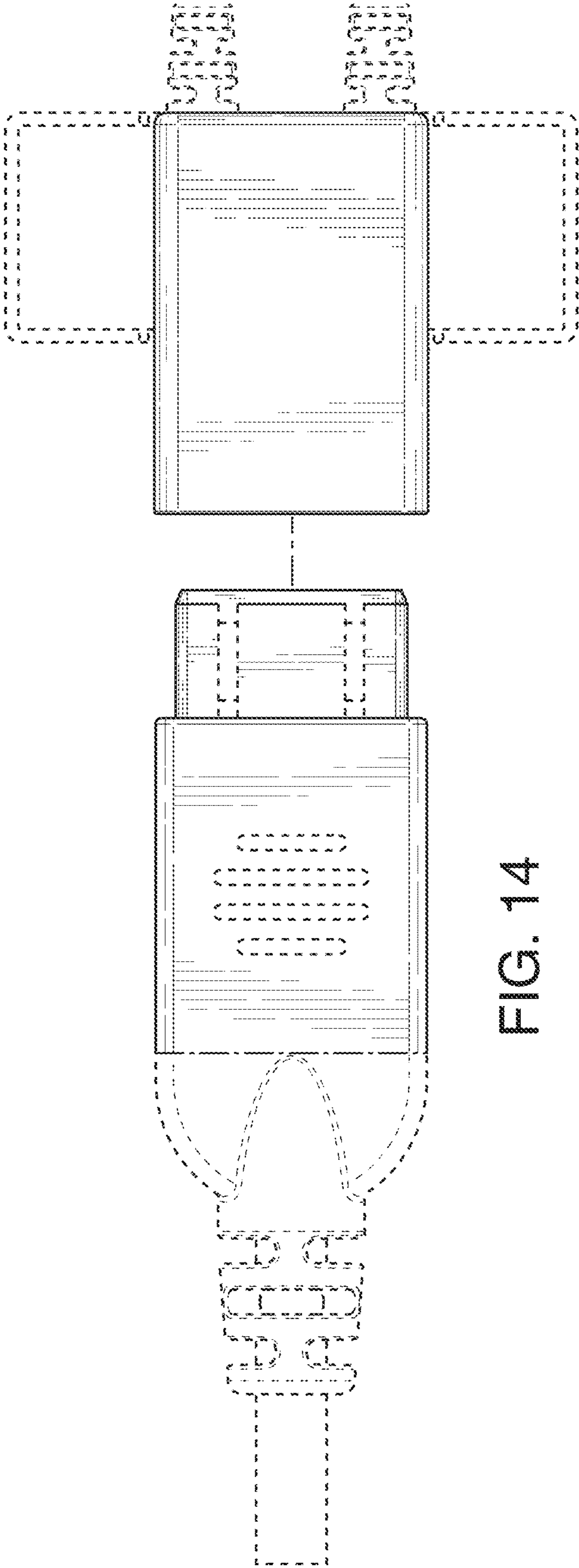


FIG. 14

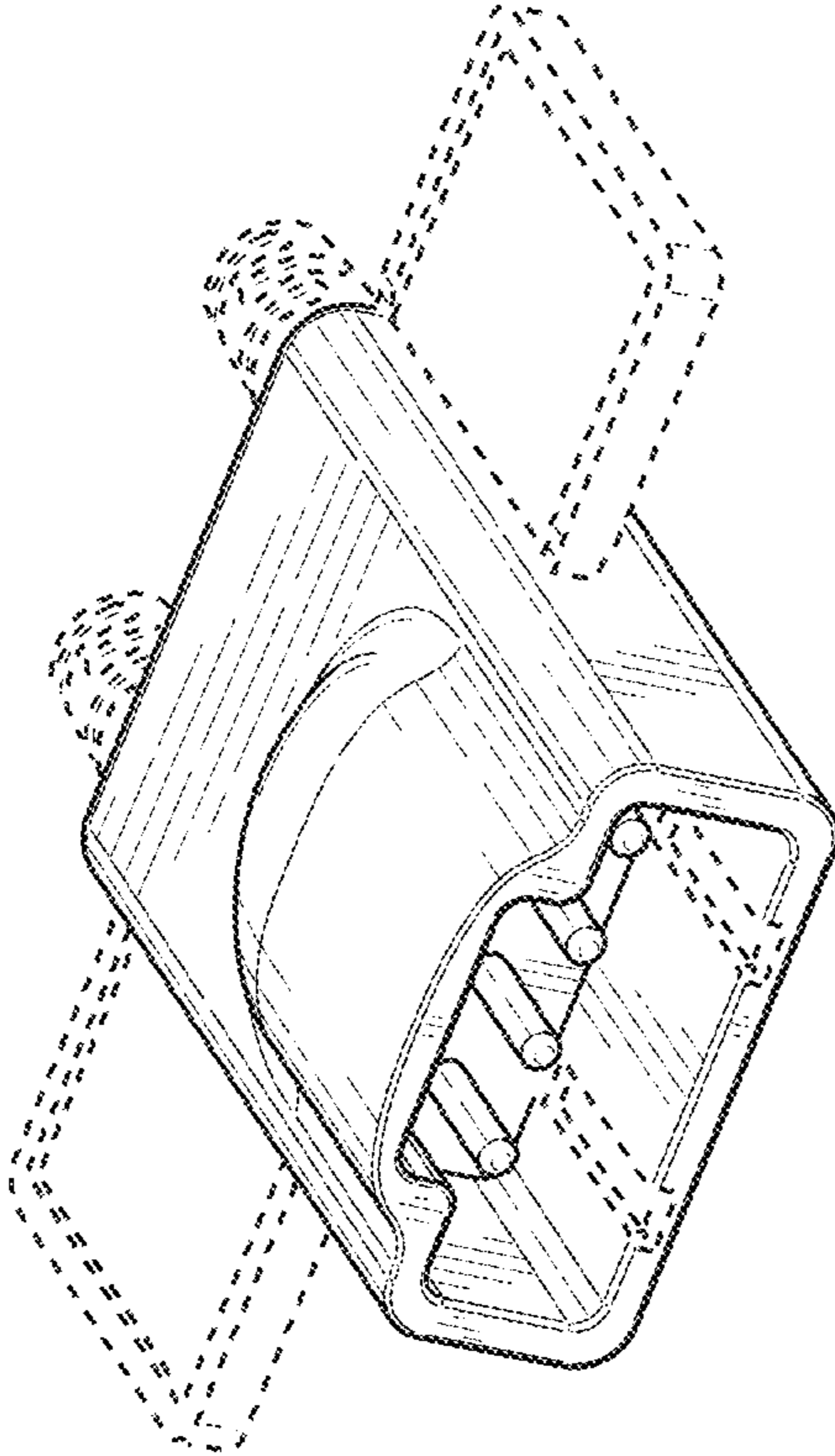


FIG. 15