



US00D913943S

(12) **United States Design Patent** (10) **Patent No.:** **US D913,943 S**
Hasan (45) **Date of Patent:** **** Mar. 23, 2021**

(54) **CLIP ON PLUG**
(71) Applicant: **Faruq Hasan**, Ottawa (CA)
(72) Inventor: **Faruq Hasan**, Ottawa (CA)
(73) Assignee: **CABLE GEAR HOLDINGS**, Katy, TX (US)
(**) Term: **15 Years**

D706,715 S * 6/2014 Ball D13/133
D724,029 S * 3/2015 Huang D13/133
D744,422 S * 12/2015 Landry D13/133
D746,773 S 1/2016 Andre et al.
D769,194 S * 10/2016 Greig D13/147
D816,616 S * 5/2018 Corona D13/146
D873,219 S * 1/2020 Sasaki D13/133
D880,691 S * 4/2020 Wang D24/129
2003/0036312 A1* 2/2003 Liao H02J 7/0042
439/638
2018/0069349 A1* 3/2018 Kato H01H 85/47

(21) Appl. No.: **29/681,532**
(22) Filed: **Feb. 26, 2019**
(51) **LOC (13) Cl.** **13-03**
(52) **U.S. Cl.**
USPC **D13/133**
(58) **Field of Classification Search**
USPC D13/110–118, 122, 133, 146, 147, 153,
D13/154, 184, 199
CPC H01R 13/00; H01R 13/424; H01R 13/64;
H01R 4/00; H01R 11/00; H01R 31/06;
H01R 24/38; H02J 3/38; H02J 7/0042;
H02J 7/0045; H02J 7/0052
See application file for complete search history.

FOREIGN PATENT DOCUMENTS

CA 117014 S 8/2007

* cited by examiner

Primary Examiner — Catherine S Posthauer
Assistant Examiner — Alison M Ofstun
(74) *Attorney, Agent, or Firm* — Barnes & Thornburg LLP

(57) **CLAIM**

I claim the ornamental design for a clip on plug, as shown and described.

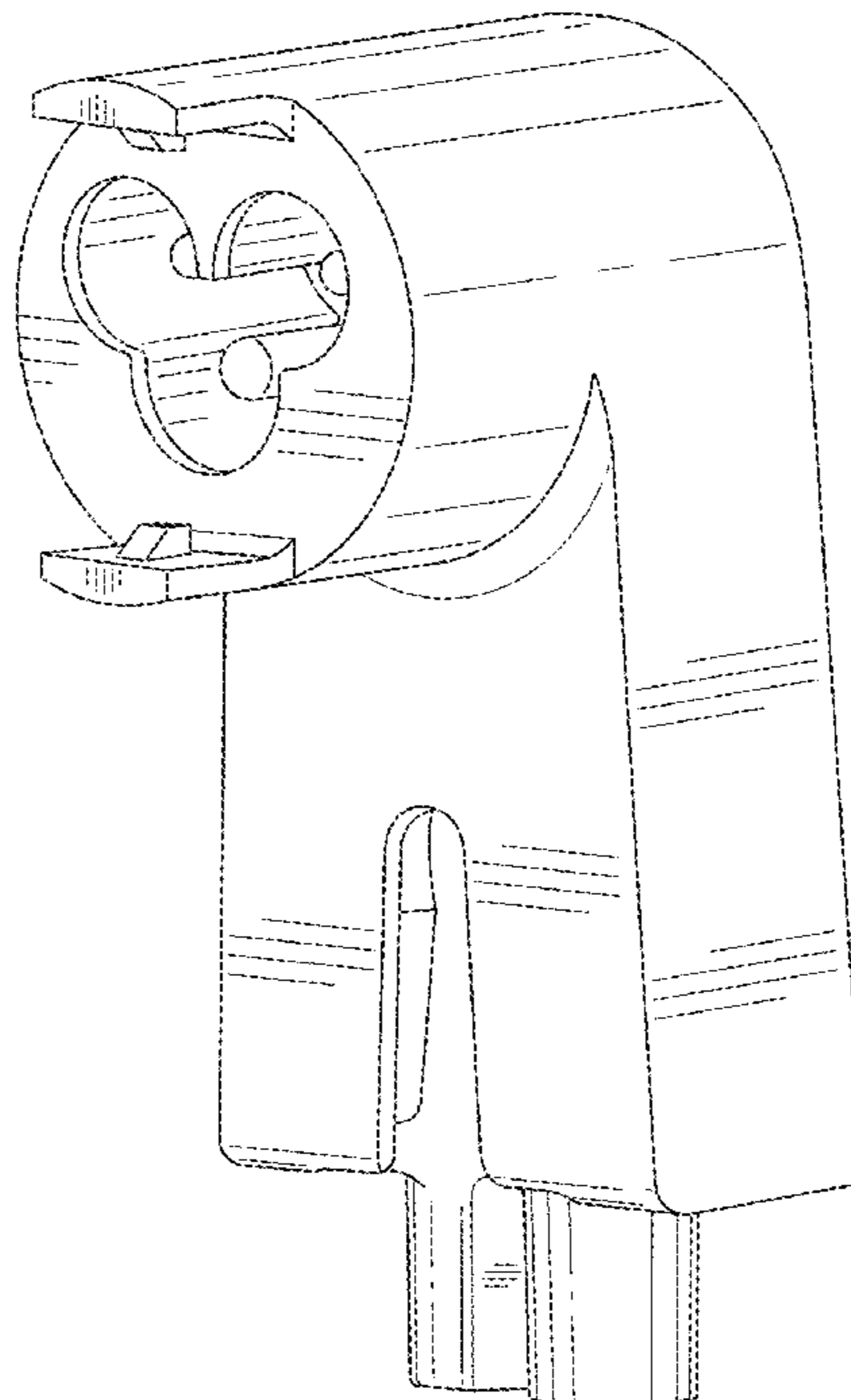
DESCRIPTION

FIG. 1 is a front perspective view of a clip on plug, showing my new design;
FIG. 2 is a front elevational view thereof;
FIG. 3 is a rear elevational view thereof;
FIG. 4 is a left-side elevation view thereof;
FIG. 5 is a right-side elevation view thereof;
FIG. 6 is a top plan view thereof;
FIG. 7 is a bottom plan view thereof; and,
FIG. 8 is a rear perspective view thereof.

1 Claim, 8 Drawing Sheets

(56) **References Cited**
U.S. PATENT DOCUMENTS

D291,303 S * 8/1987 Wood D13/133
D487,274 S * 3/2004 Nakamura D14/483
D487,724 S * 3/2004 Hsiao D13/145
D488,130 S * 4/2004 Hsiao D13/145
D538,227 S 3/2007 Holland
D606,944 S * 12/2009 Mehnert D13/133
D643,815 S * 8/2011 Mark D13/133
D689,602 S * 9/2013 Amirav D24/110
D702,633 S 4/2014 Andre et al.



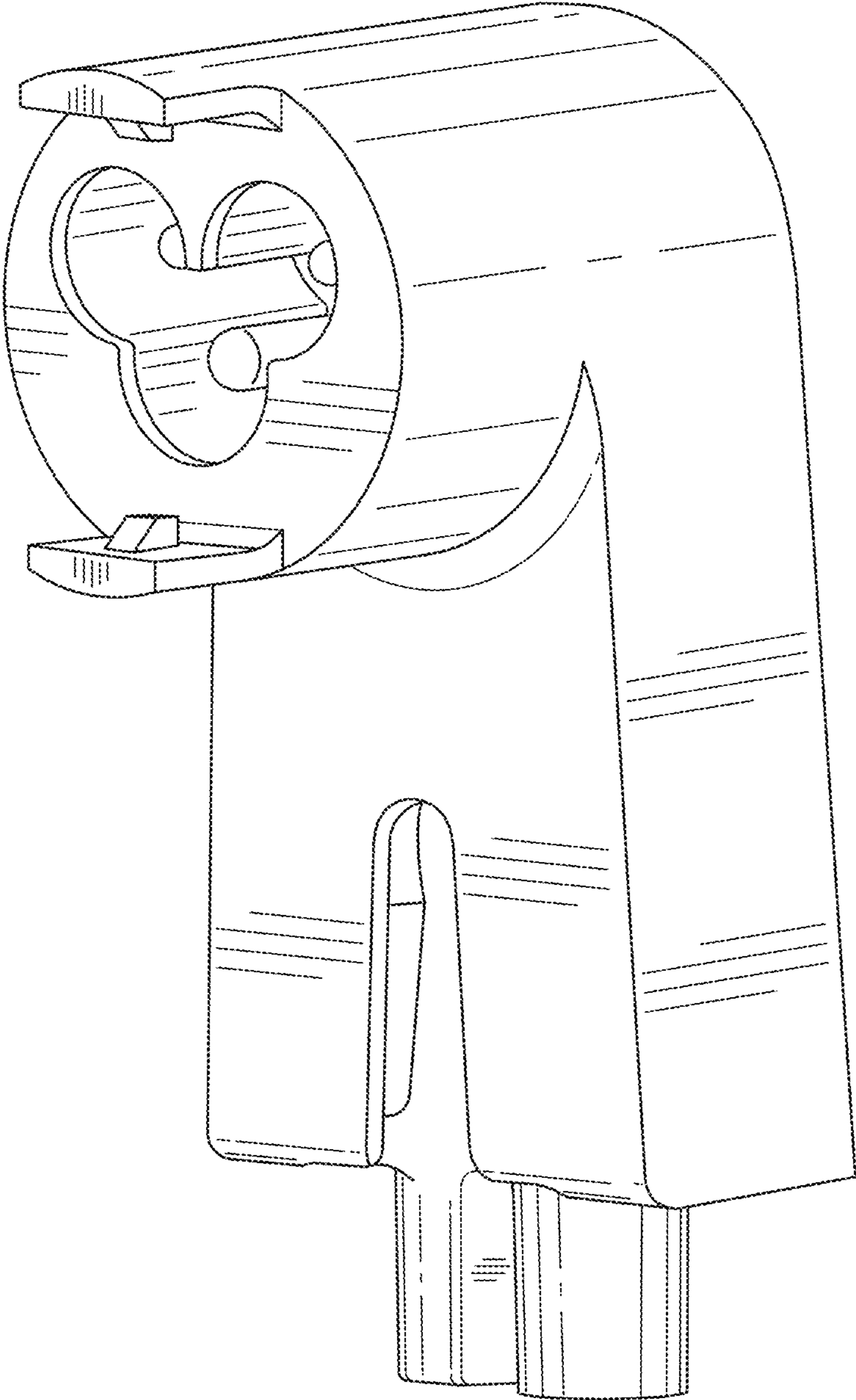


FIG. 1

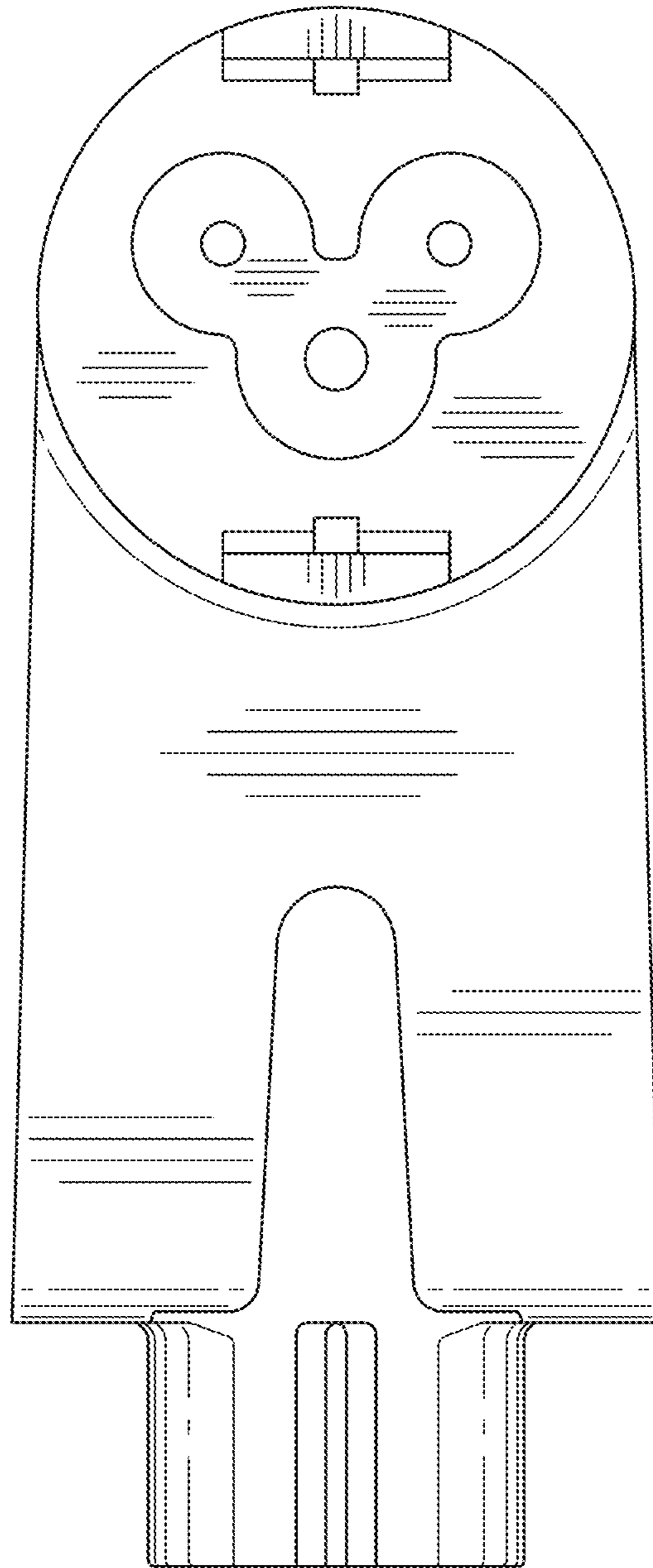


FIG. 2

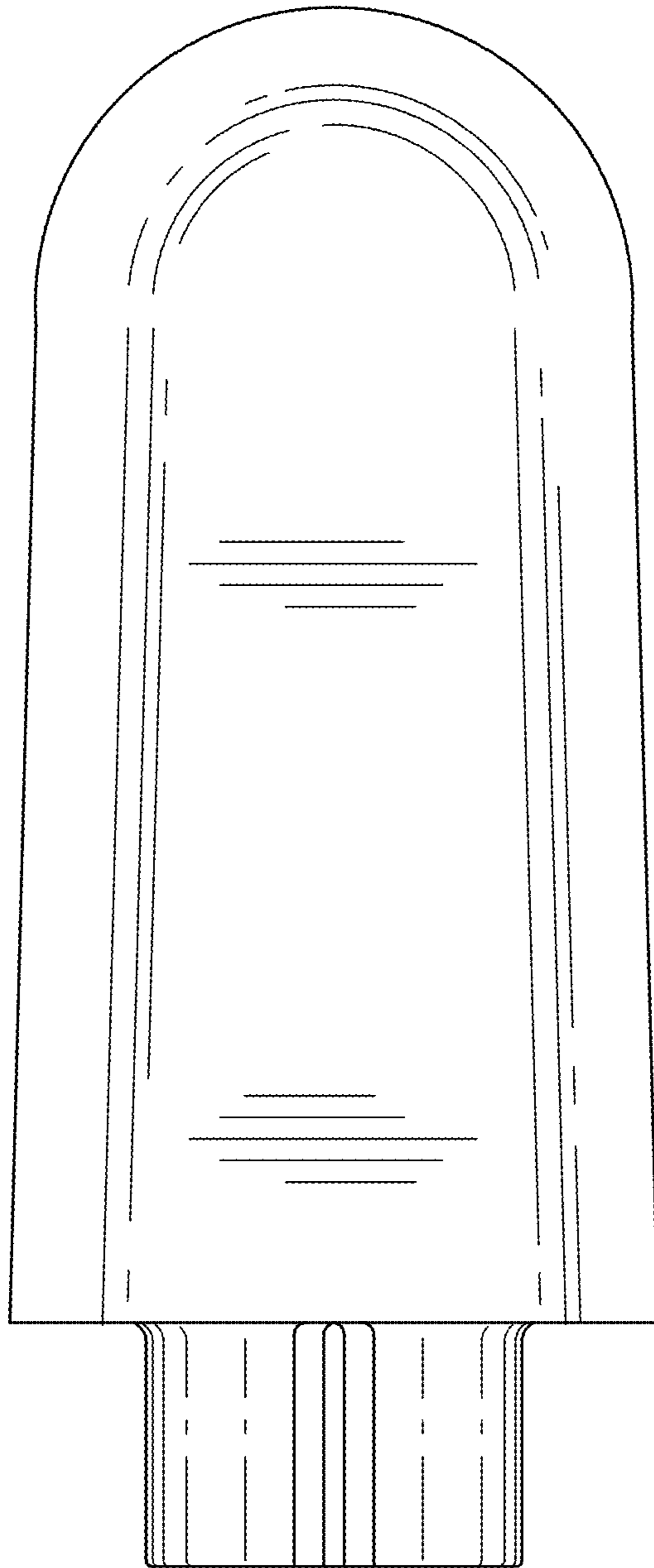


FIG. 3

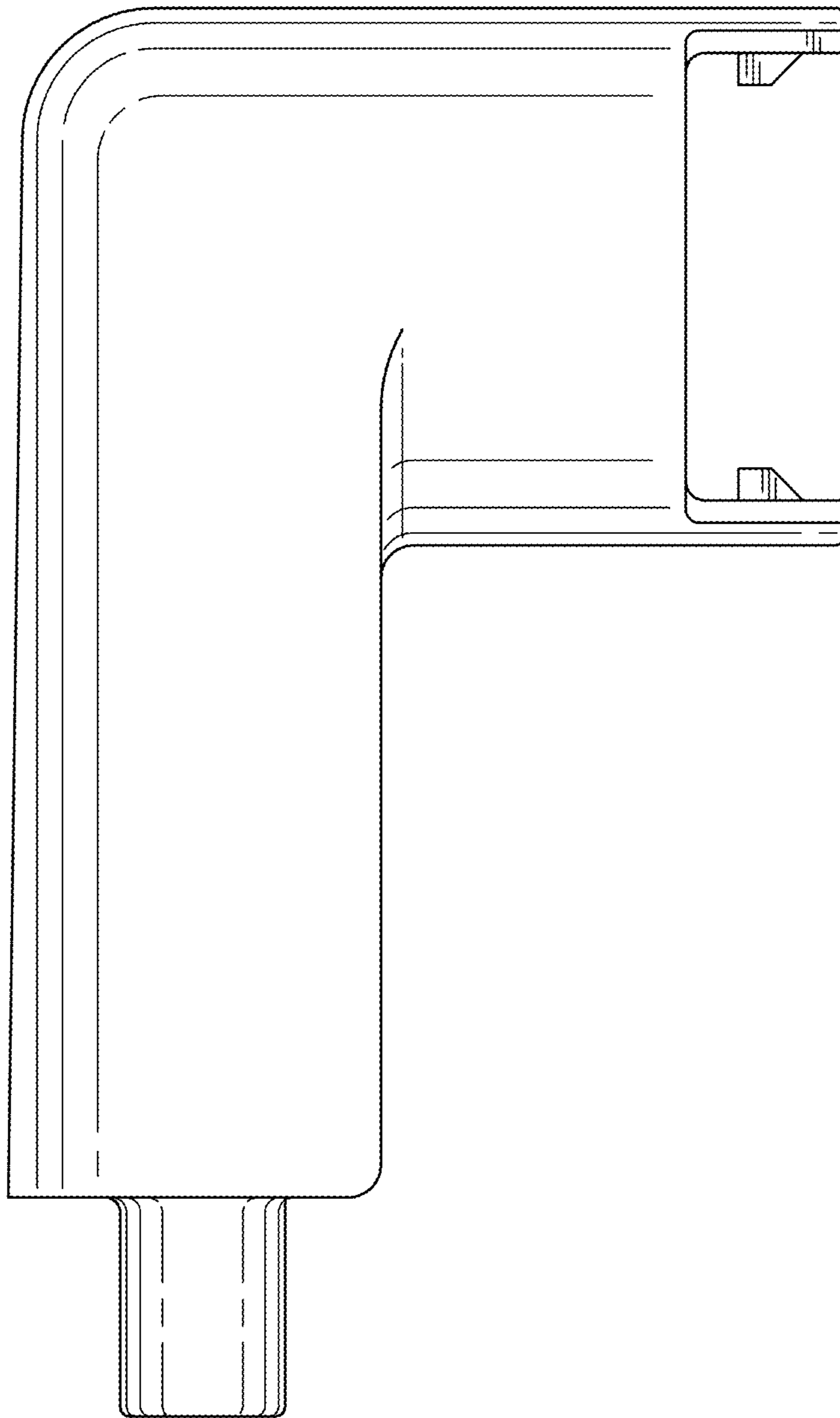


FIG. 4

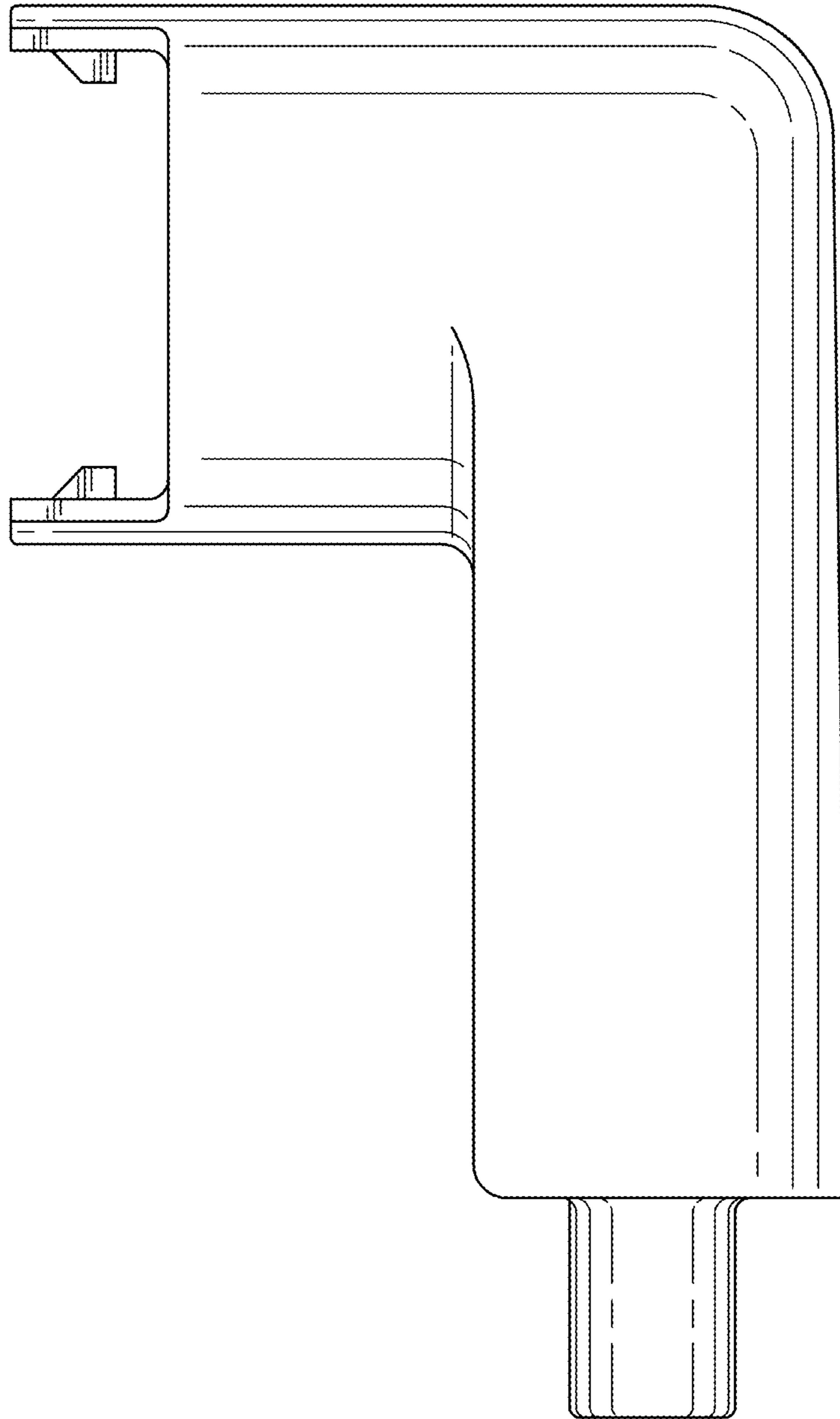


FIG. 5

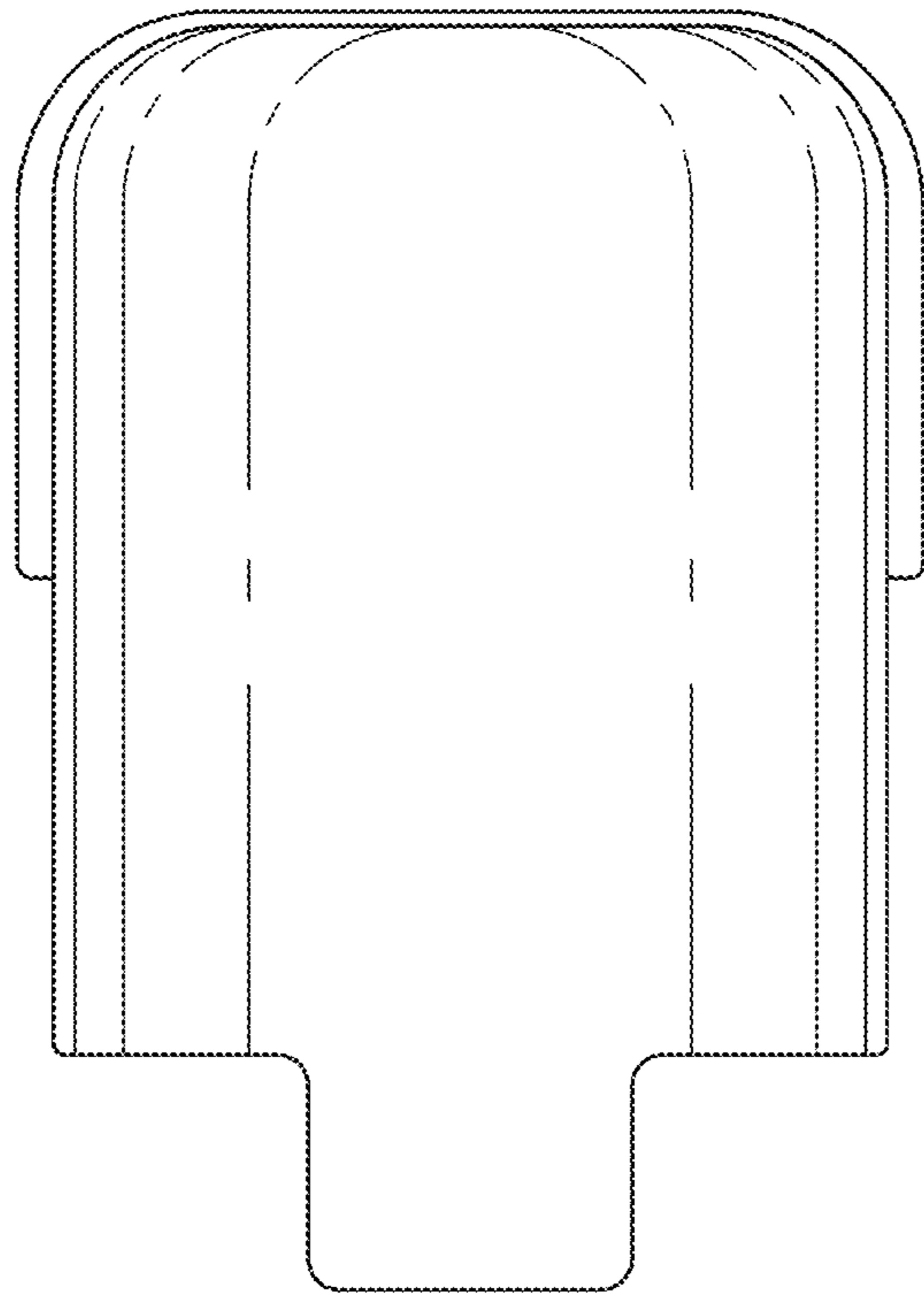


FIG. 6

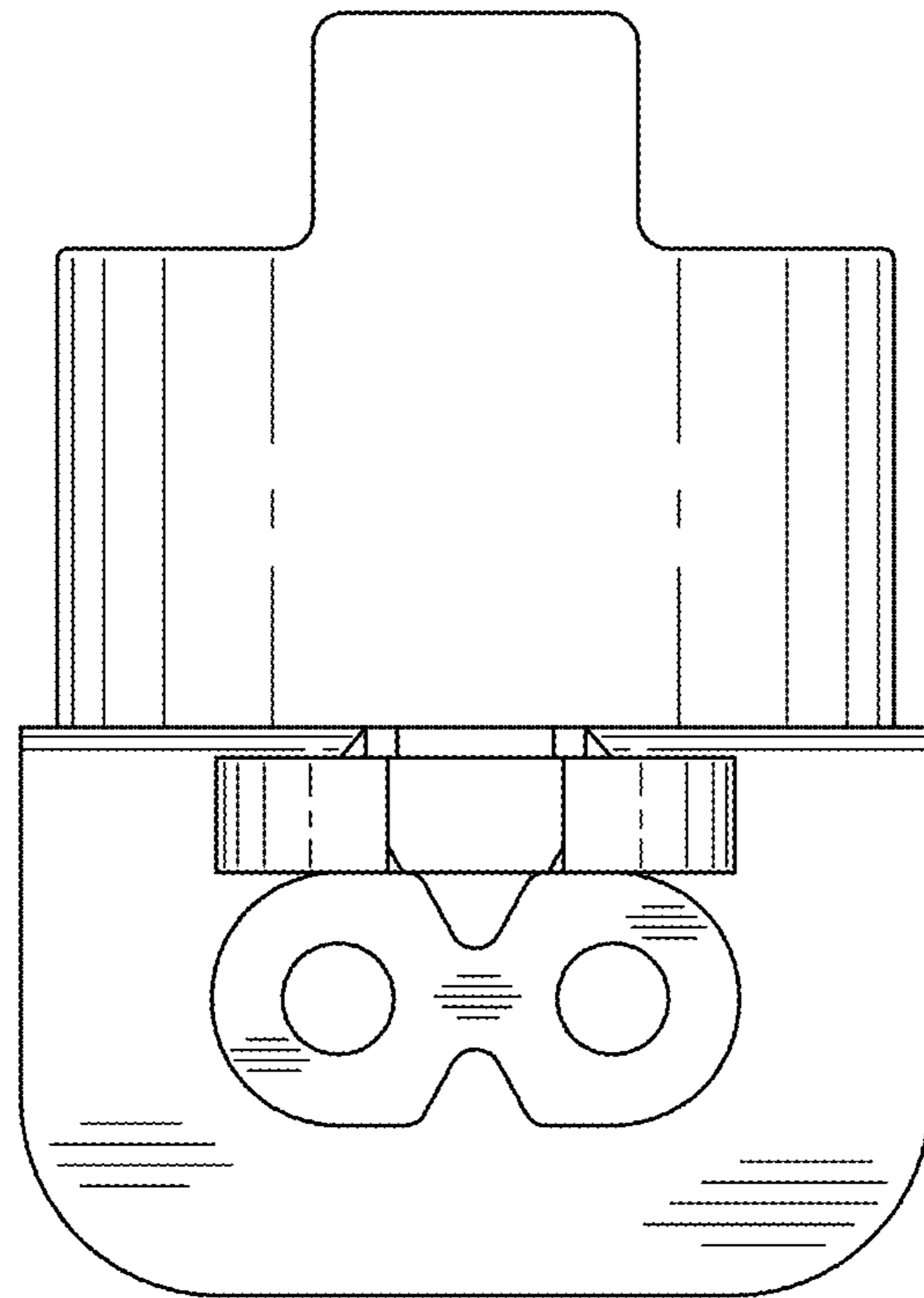


FIG. 7

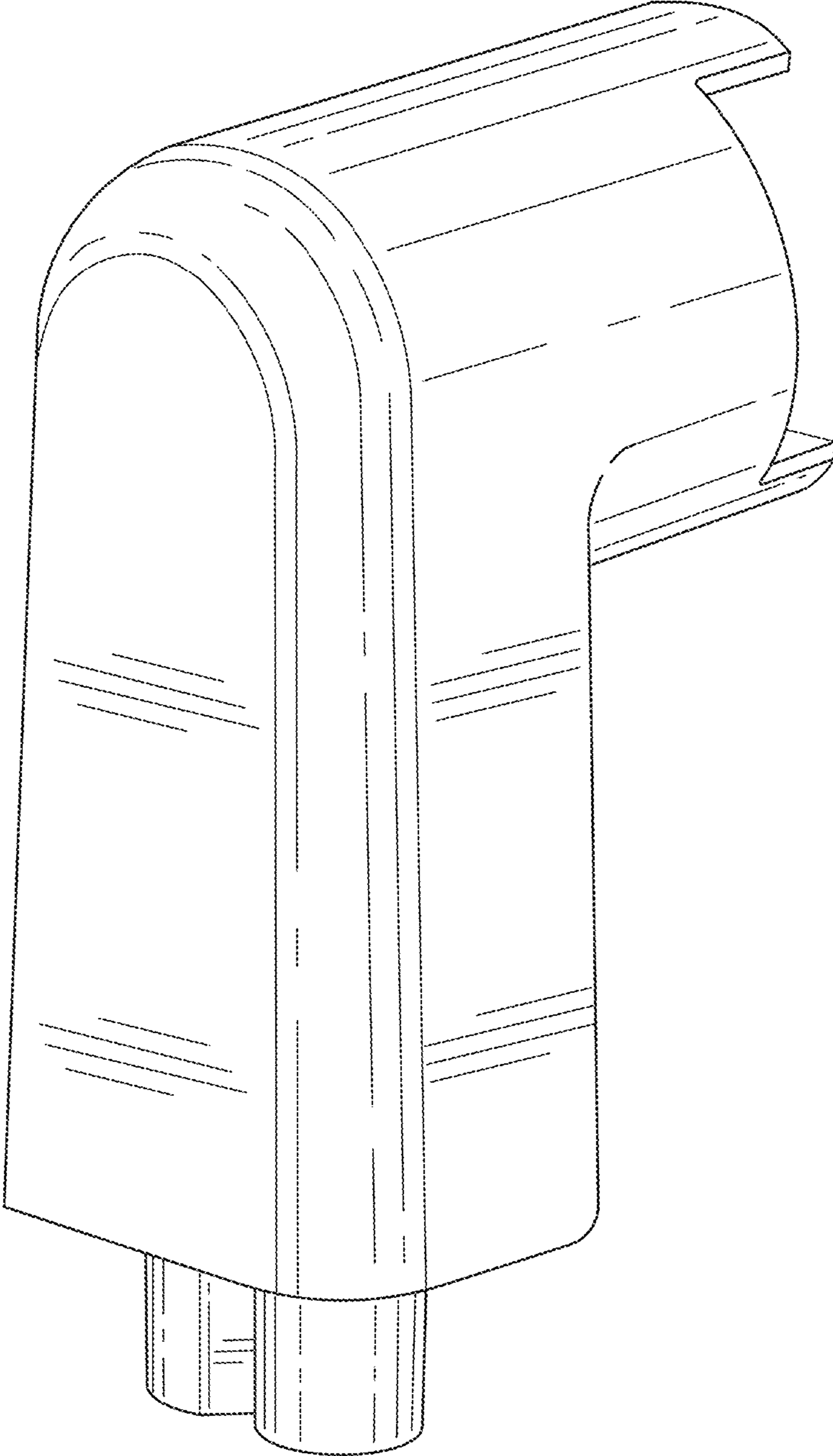


FIG. 8