



US00D913942S

(12) **United States Design Patent**
Bhagyanathan Sathianathan et al.

(10) **Patent No.:** **US D913,942 S**
(45) **Date of Patent:** **** Mar. 23, 2021**

- (54) **CONNECTOR TERMINAL**
- (71) Applicant: **Molex, LLC**, Lisle, IL (US)
- (72) Inventors: **Dwaraganathan Bhagyanathan Sathianathan**, Lisle, IL (US); **Yves Lepottier**, Lisle, IL (US)
- (73) Assignee: **Molex, LLC**, Lisle, IL (US)
- (**) Term: **15 Years**
- (21) Appl. No.: **29/638,983**
- (22) Filed: **Mar. 2, 2018**
- (51) **LOC (13) Cl.** **13-02**
- (52) **U.S. Cl.**
USPC **D13/133**
- (58) **Field of Classification Search**
USPC D13/119, 120, 133, 146, 149, 154, 178, D13/199
CPC H01R 13/113; H01R 13/11; H01R 11/24; H01R 11/281; H01R 11/286
See application file for complete search history.

- 7,976,353 B2 * 7/2011 Myer H01R 13/04 439/891
- D725,046 S * 3/2015 Kuo D13/154
- D751,041 S * 3/2016 Ebisawa D13/154
- D751,042 S * 3/2016 Ebisawa D13/154
- D762,587 S * 8/2016 Ebisawa D13/154
- D781,239 S * 3/2017 Ikeda D13/154
- D813,817 S * 3/2018 Kataoka D13/133
- D827,576 S * 9/2018 Sugizaki D13/133
- D847,759 S * 5/2019 Bhagyanathan Sathianathan D13/154
- 2006/0035538 A1 * 2/2006 Suemitsu H01R 13/187 439/852
- 2016/0072203 A1 * 3/2016 Ii H01R 4/48 439/816
- 2016/0344115 A1 * 11/2016 Miyakawa H01R 13/52

* cited by examiner

Primary Examiner — Jennifer O King
(74) *Attorney, Agent, or Firm* — Banner & Witcoff, Ltd.

(57) **CLAIM**

The ornamental design for a connector terminal, as shown and described.

DESCRIPTION

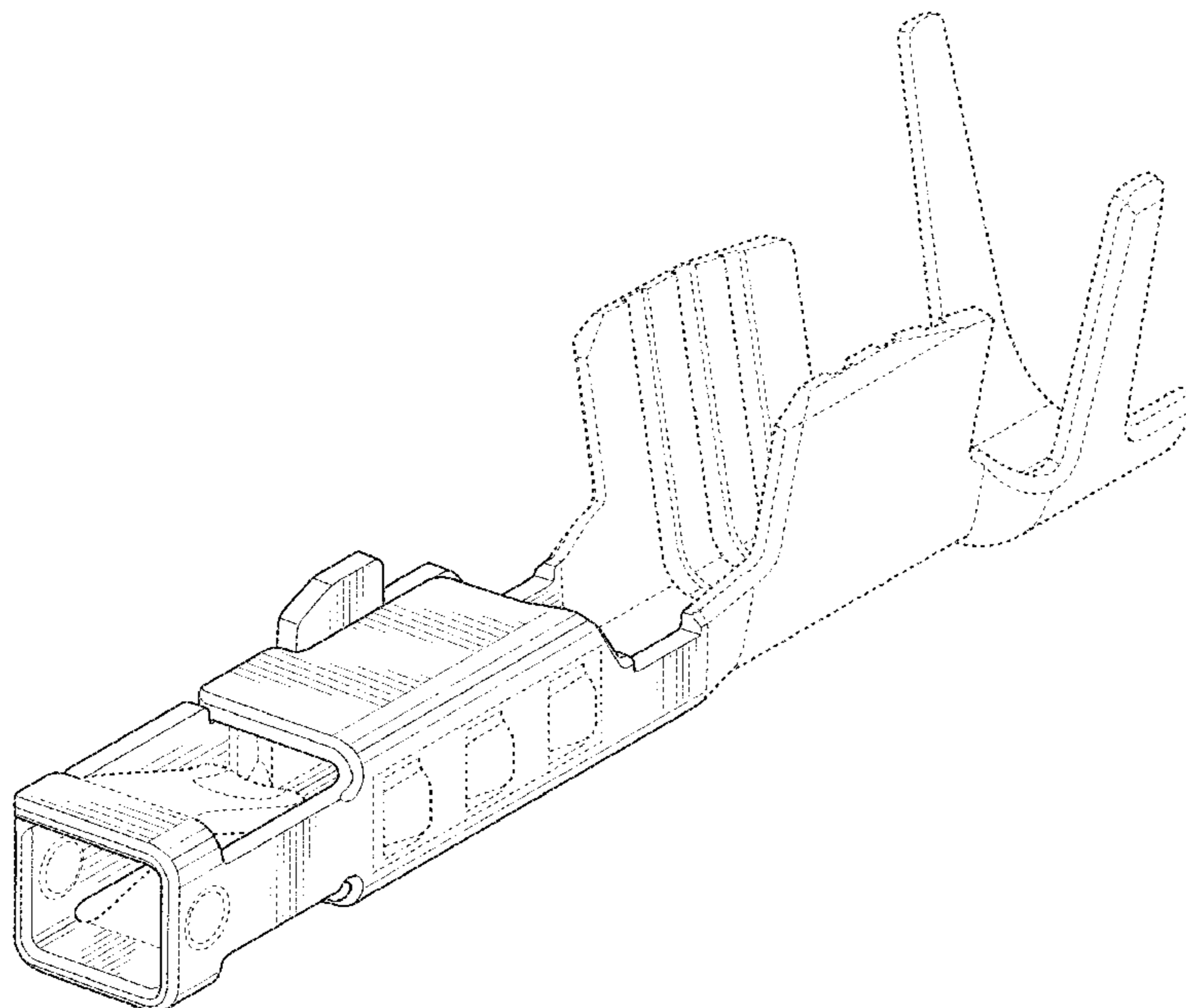
FIG. 1 is a front perspective view of a connector terminal showing our new design;
FIG. 2 is a left side view thereof;
FIG. 3 is a right side view thereof;
FIG. 4 is a top view thereof;
FIG. 5 is a bottom view thereof;
FIG. 6 is a front view thereof;
FIG. 7 is a rear view thereof; and,
FIG. 8 is a rear perspective view thereof.
The broken lines shown represent portions of the connector terminal that form no part of the claimed design.

1 Claim, 8 Drawing Sheets

(56) **References Cited**

U.S. PATENT DOCUMENTS

- 3,363,224 A * 1/1968 Gluntz H01R 13/11 439/852
- 4,708,416 A * 11/1987 Awano H01R 13/11 439/851
- 5,839,925 A * 11/1998 Simmons H01R 13/113 439/852
- D553,080 S * 10/2007 Sakamaki D13/133
- D556,136 S * 11/2007 Shiga D13/133
- D603,804 S * 11/2009 Urano D13/154
- D621,368 S * 8/2010 Lee D13/154
- 7,976,351 B2 * 7/2011 Boemmel H01R 13/432 439/748



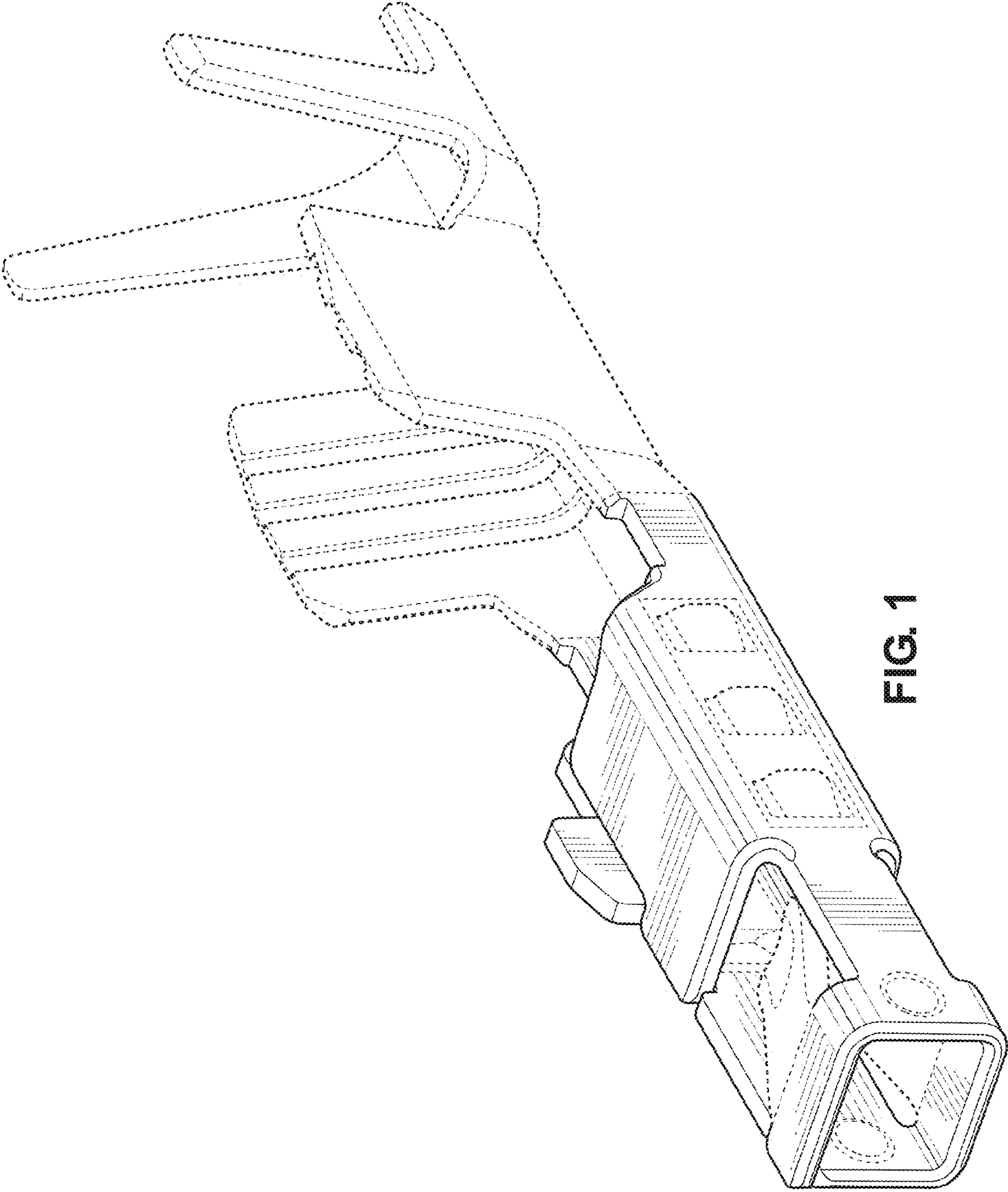


FIG. 1

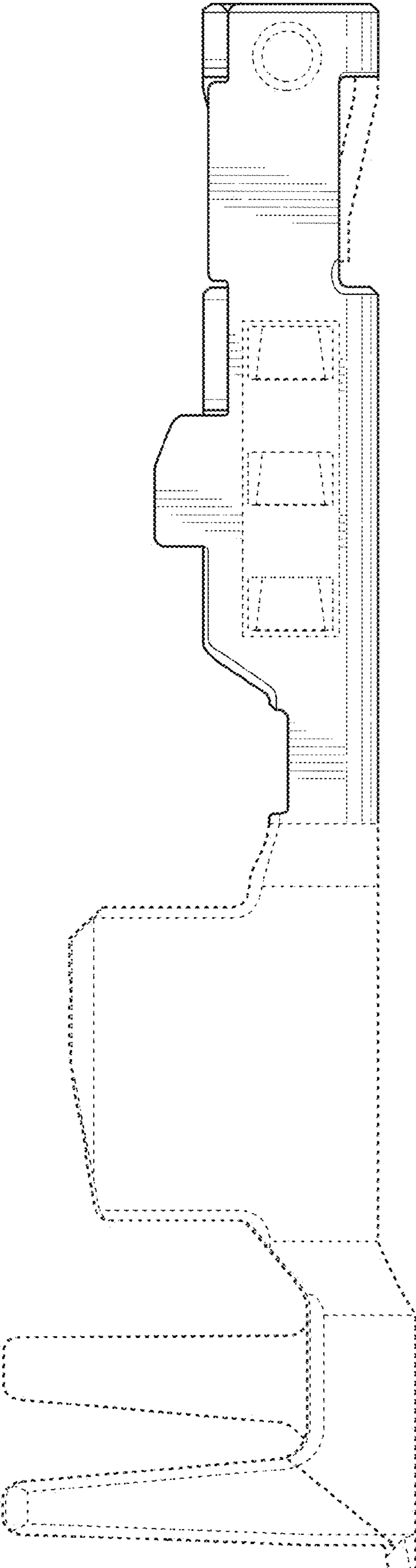


FIG. 2

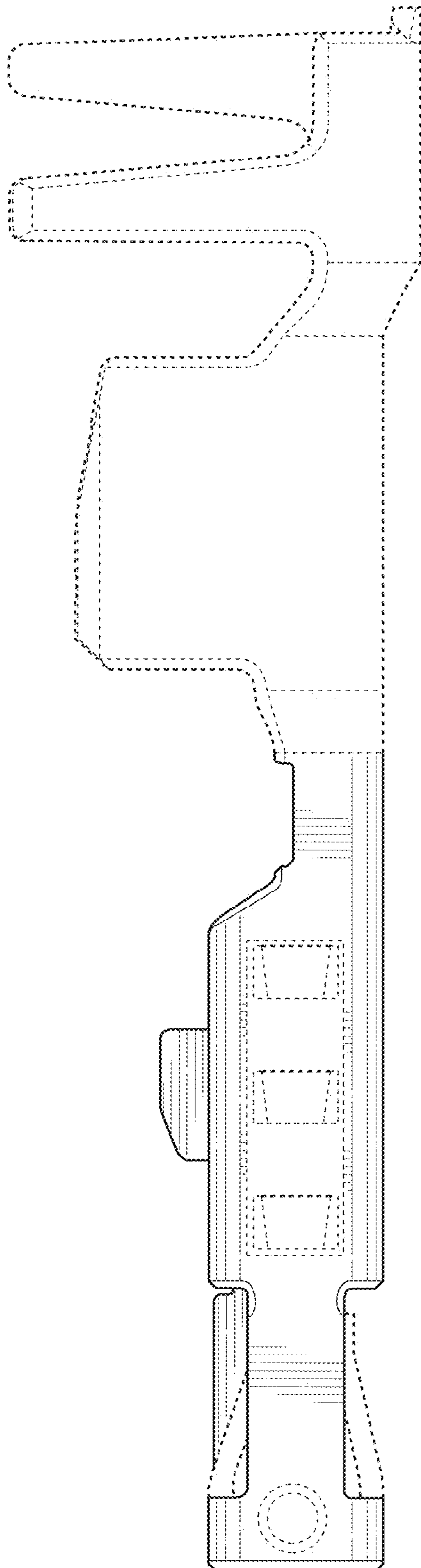


FIG. 3

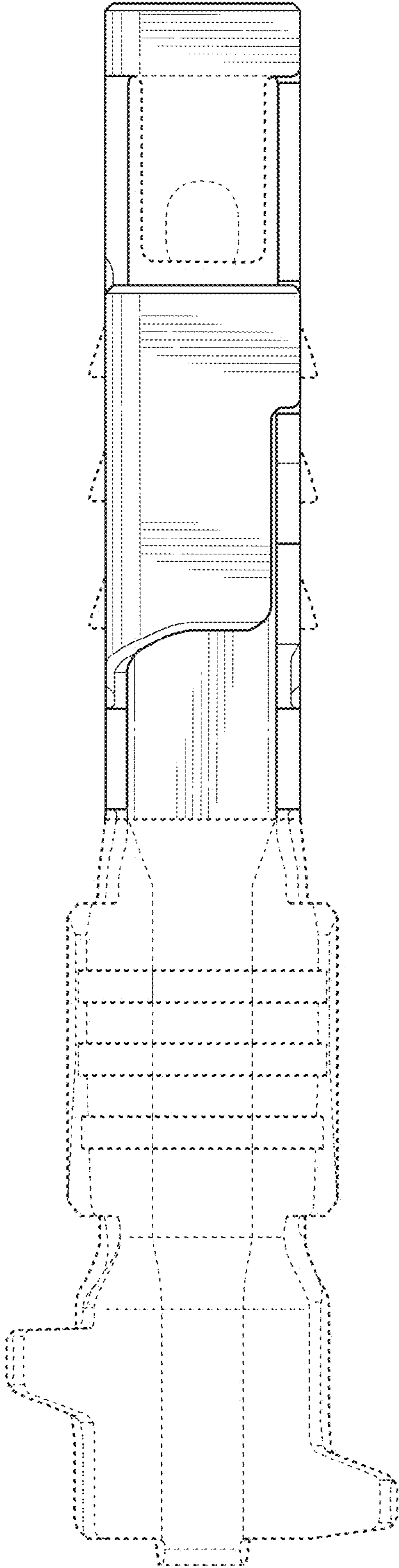


FIG. 4

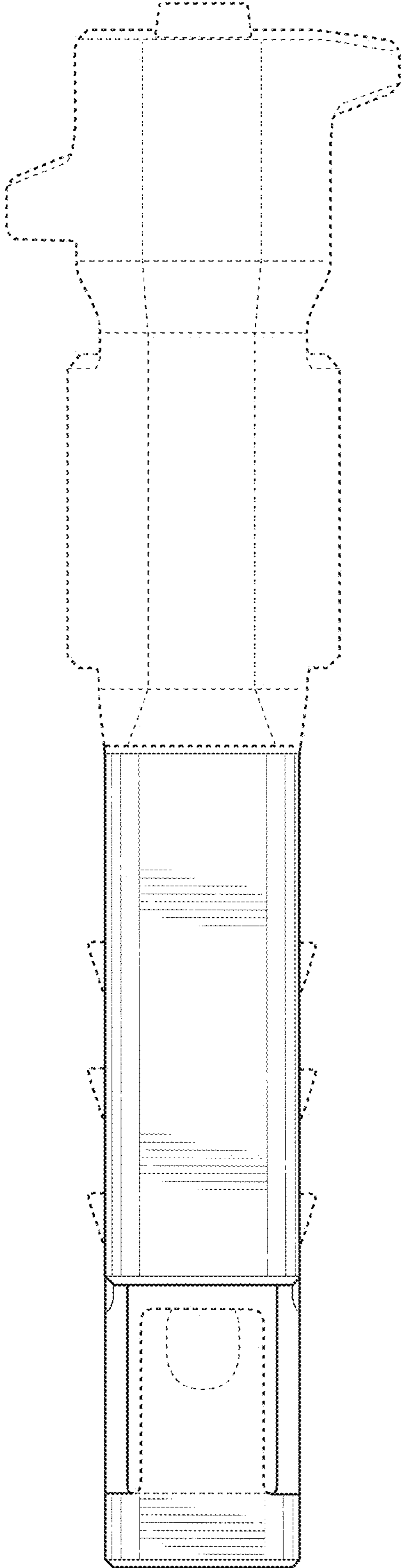


FIG. 5

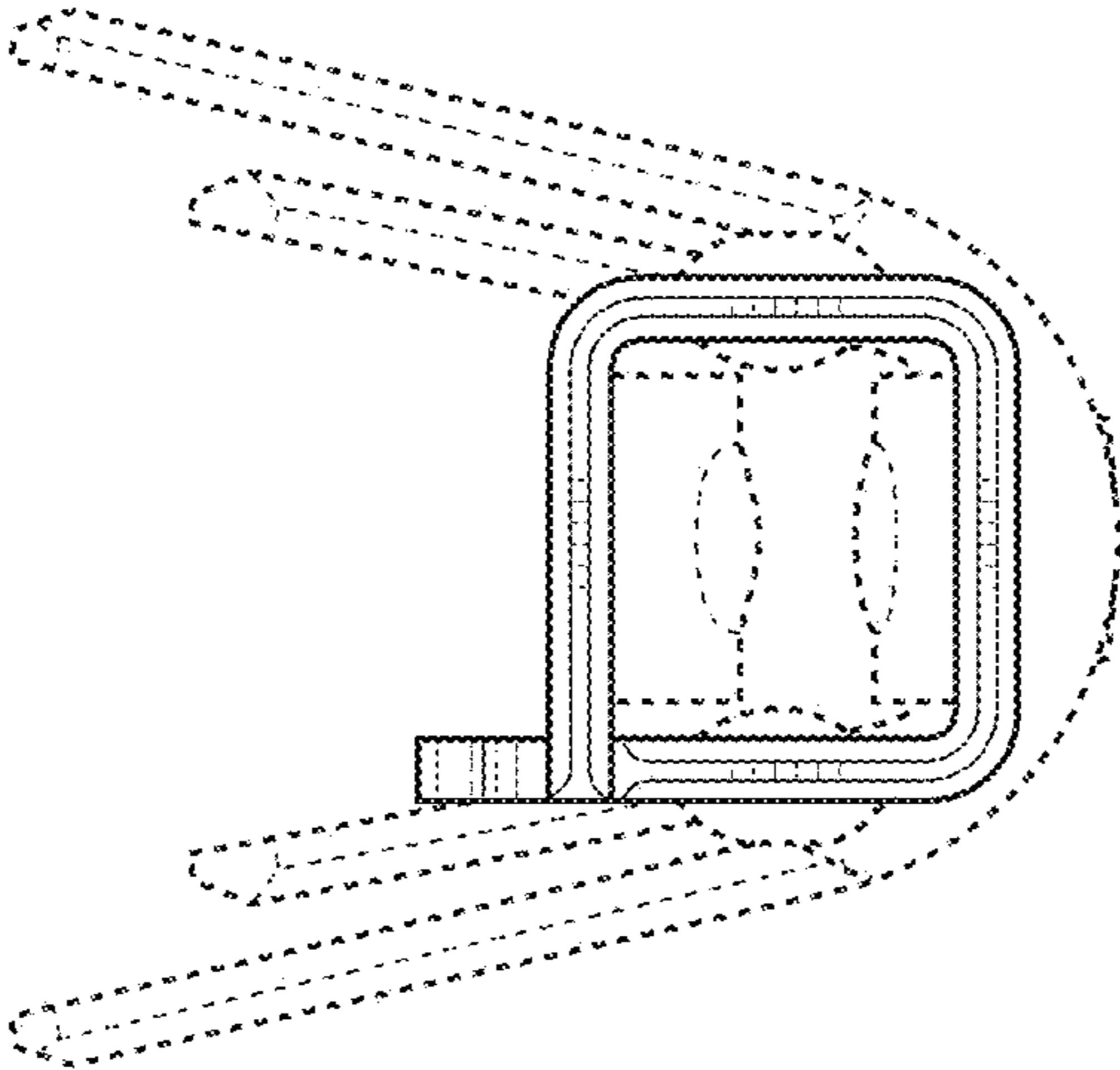


FIG. 6

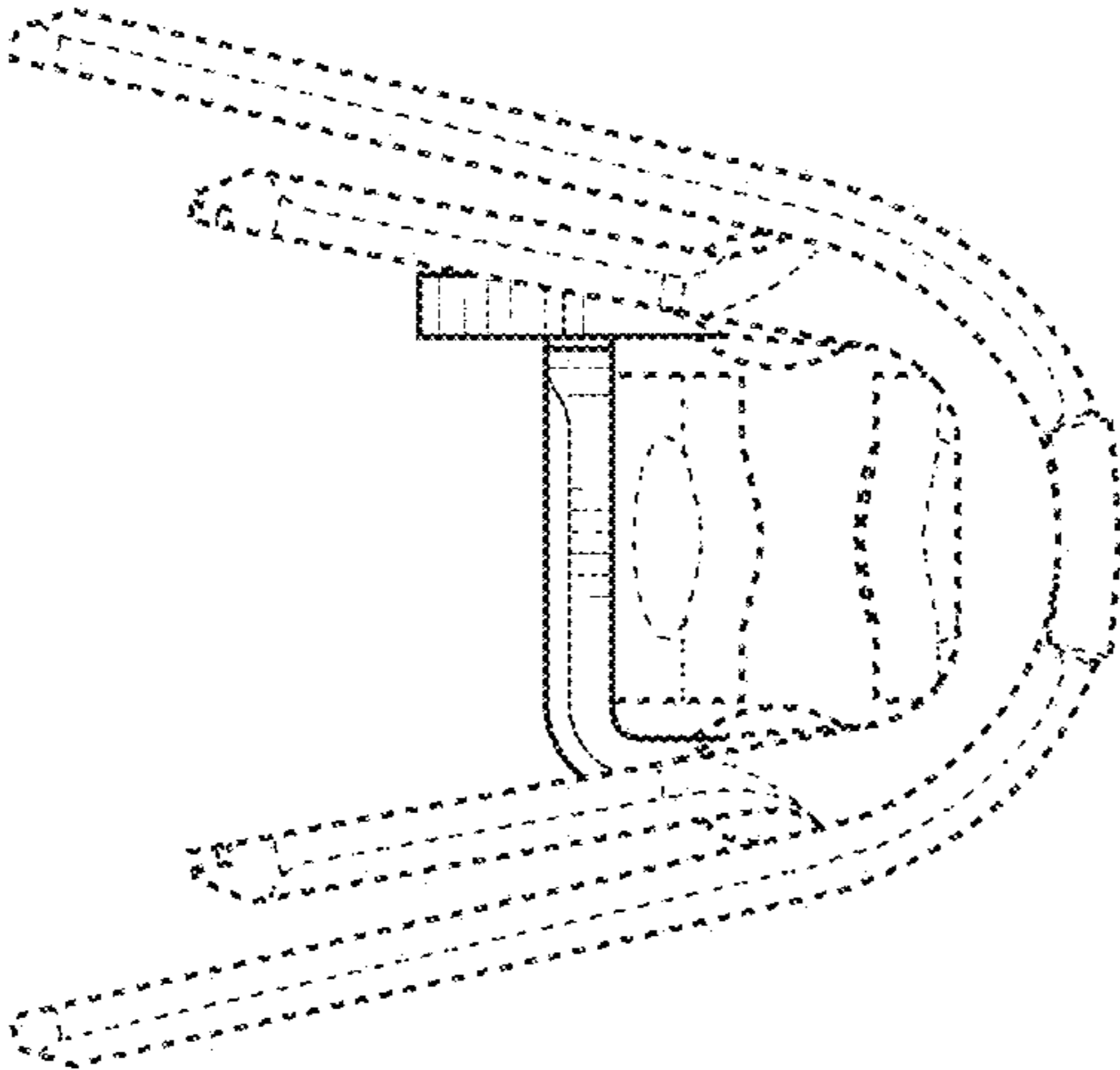


FIG. 7

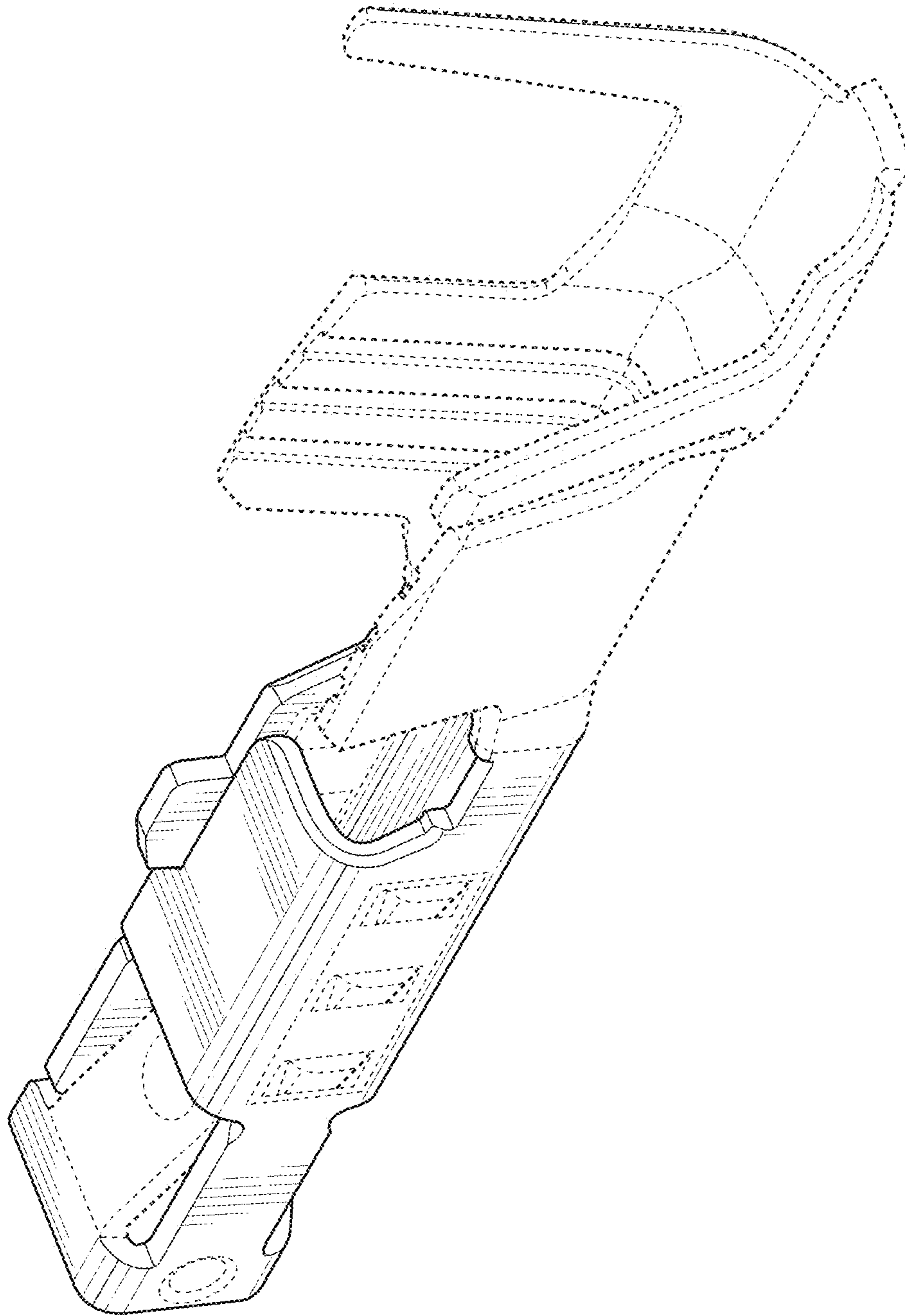


FIG. 8