



US00D913940S

(12) **United States Design Patent**
Ishii et al.

(10) **Patent No.:** **US D913,940 S**
(45) **Date of Patent:** **** Mar. 23, 2021**

(54) **ELECTRODE FOR X-RAY TUBE**

(57) **CLAIM**

(71) Applicant: **HAMAMATSU PHOTONICS K.K.**,
Hamamatsu (JP)

The ornamental design for an electrode for X-ray tube, as shown and described.

(72) Inventors: **Atsushi Ishii**, Hamamatsu (JP);
Ryosuke Yabushita, Hamamatsu (JP);
Tutomu Inazuru, Hamamatsu (JP)

DESCRIPTION

(73) Assignee: **HAMAMATSU PHOTONICS K.K.**,
Hamamatsu (JP)

FIG. 1 is a front view of an electrode for X-ray tube of the first embodiment of the present invention;

(**) Term: **15 Years**

FIG. 2 is a rear view thereof;

(21) Appl. No.: **29/665,949**

FIG. 3 is a top plan view thereof;

(22) Filed: **Oct. 9, 2018**

FIG. 4 is a bottom plan view thereof;

(30) **Foreign Application Priority Data**

Apr. 12, 2018 (JP) 2018-008119

FIG. 5 is a right side view thereof;

Apr. 12, 2018 (JP) 2018-008120

FIG. 6 is a left side view thereof;

(51) **LOC (13) Cl.** **13-02**

FIG. 7 is a top plan perspective view thereof;

(52) **U.S. Cl.**

USPC **D13/121; D24/187**

FIG. 8 is a bottom plan perspective view thereof;

(58) **Field of Classification Search**

USPC D13/118, 119, 120, 121, 199; D24/108,

FIG. 9 is an enlarged view showing a portion of FIG. 1

D24/112, 129, 130, 133, 137, 138, 144,

defined by line 9-9;

D24/147, 152, 158, 170, 187

FIG. 10 is an enlarged view showing a portion of FIG. 3 defined by line 10-10;

(Continued)

FIG. 11 is an enlarged view showing a portion of FIG. 4 defined by line 11-11;

(56) **References Cited**

U.S. PATENT DOCUMENTS

D294,519 S * 3/1988 Hardy, Jr. D14/431

FIG. 12 is an enlarged left side view thereof;

4,979,897 A * 12/1990 Yates C30B 31/00

FIG. 13 is an enlarged view showing a portion of FIG. 7 defined by line 13-13;

432/239

FIG. 14 is an enlarged view showing a portion of FIG. 8 defined by line 14-14;

(Continued)

FIG. 15 is a front view of an electrode for X-ray tube of the second embodiment of the present invention;

Primary Examiner — Jennifer O King

FIG. 16 is a rear view thereof;

(74) *Attorney, Agent, or Firm* — Faegre Drinker Biddle & Reath LLP

FIG. 17 is a top plan view thereof;

FIG. 18 is a bottom plan view thereof;

FIG. 19 is a right side view thereof;

FIG. 20 is a left side view thereof;

FIG. 21 is a top plan perspective view thereof;

FIG. 22 is a bottom plan perspective view thereof;

FIG. 23 is an enlarged view showing a portion of FIG. 15 defined by line 23-23;

FIG. 24 is an enlarged view showing a portion of FIG. 17 defined by line 24-24;

(Continued)

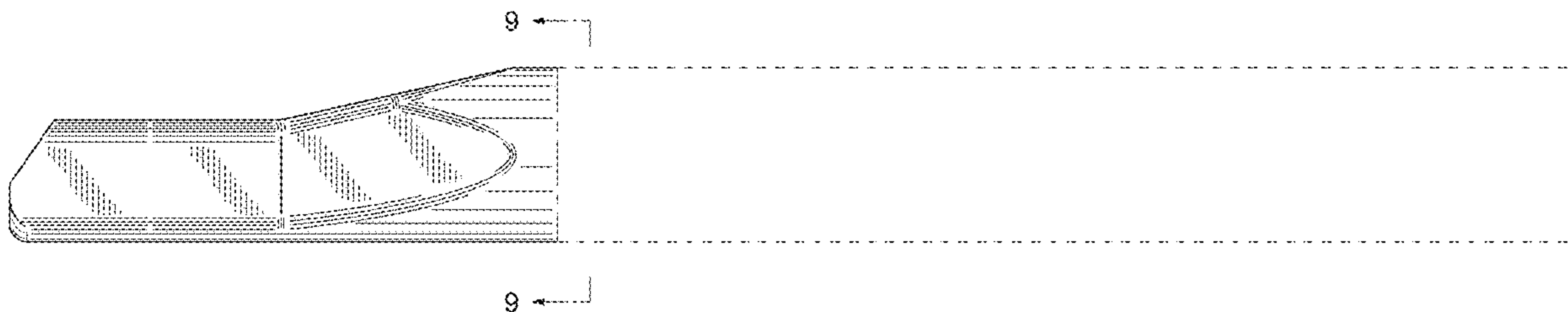


FIG. 25 is an enlarged view showing a portion of FIG. 18 defined by line 25-25;
 FIG. 26 is an enlarged left side view thereof;
 FIG. 27 is an enlarged view showing a portion of FIG. 21 defined by line 27-27; and,
 FIG. 28 is an enlarged view showing a portion of FIG. 22 defined by line 28-28.

The features shown in evenly-dashed broken lines depict environmental subject matter only and form no part of the claimed design, The dot-dash broken lines in the drawings represent the bounds of the claimed subject matter, the dot-dash lines, themselves forming no part thereof.

1 Claim, 28 Drawing Sheets

(58) Field of Classification Search

CPC A61B 2034/2063; A61B 8/085
 See application file for complete search history.

(56)

References Cited

U.S. PATENT DOCUMENTS

5,283,089	A *	2/1994	Bates	C30B 31/10 428/331
D566,279	S *	4/2008	Patzer	D24/158
D575,399	S *	8/2008	Matsumoto	D24/138
D580,051	S *	11/2008	Rehbein	D24/108
D632,387	S *	2/2011	Sidhu	A61C 17/08 D24/112
D714,370	S *	9/2014	Braga	D15/138
D754,357	S *	4/2016	Lindekugel	D24/187
D780,182	S *	2/2017	Klein	D14/426
D810,935	S *	2/2018	Bresco Torras	D24/138
D837,390	S *	1/2019	Harada	D24/187
D862,697	S *	10/2019	Kenworthy	D24/158
D896,374	S *	9/2020	Julian	D24/130
2020/0000525	A1 *	1/2020	Stigall	A61B 34/20

* cited by examiner

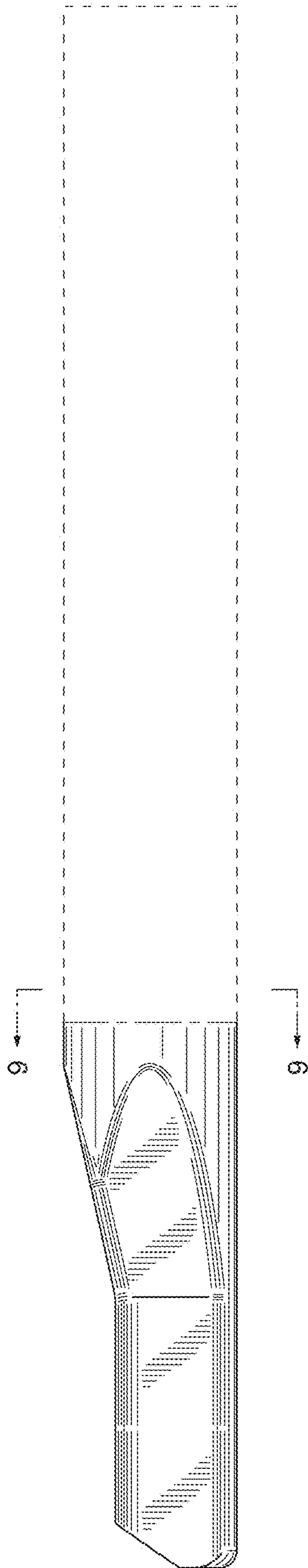


FIG. 1

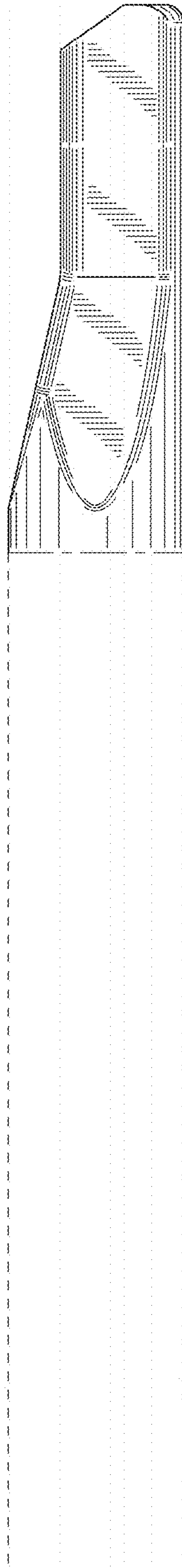


FIG. 2

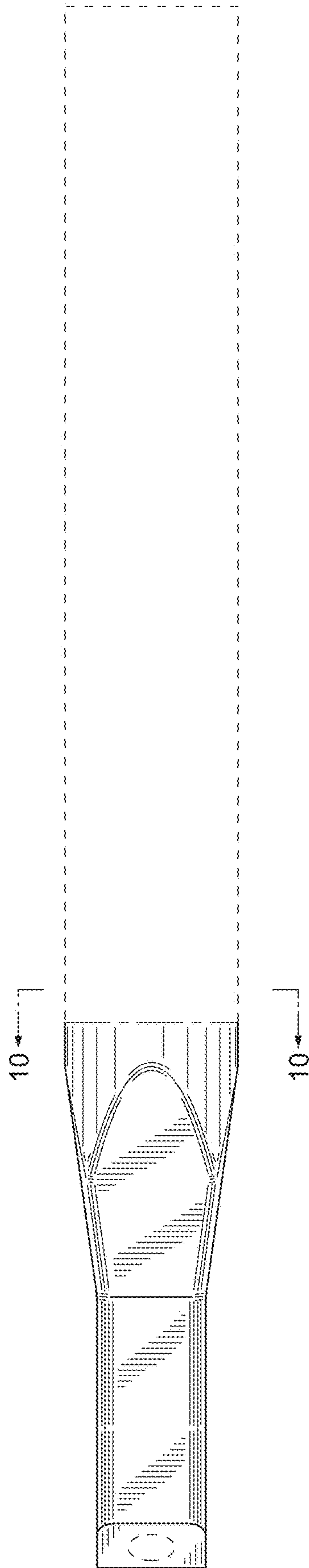


FIG. 3

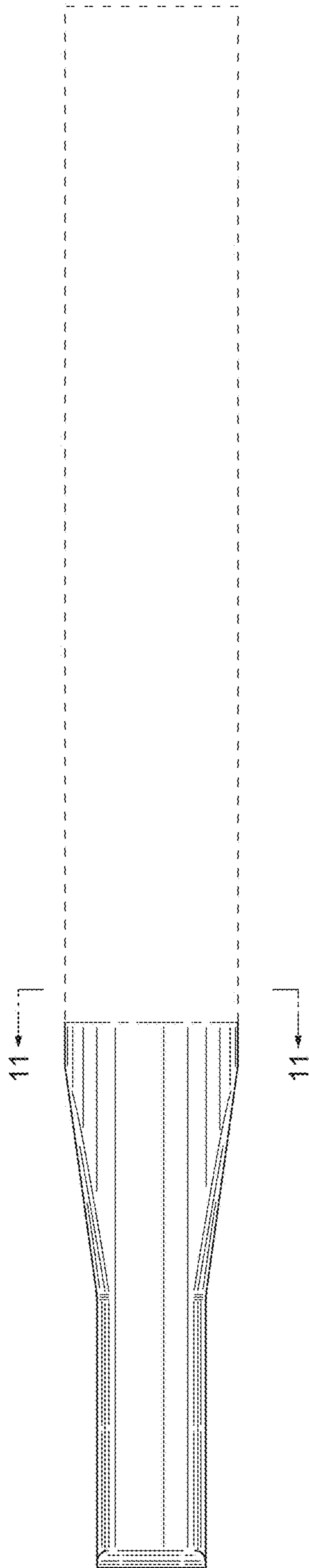


FIG. 4

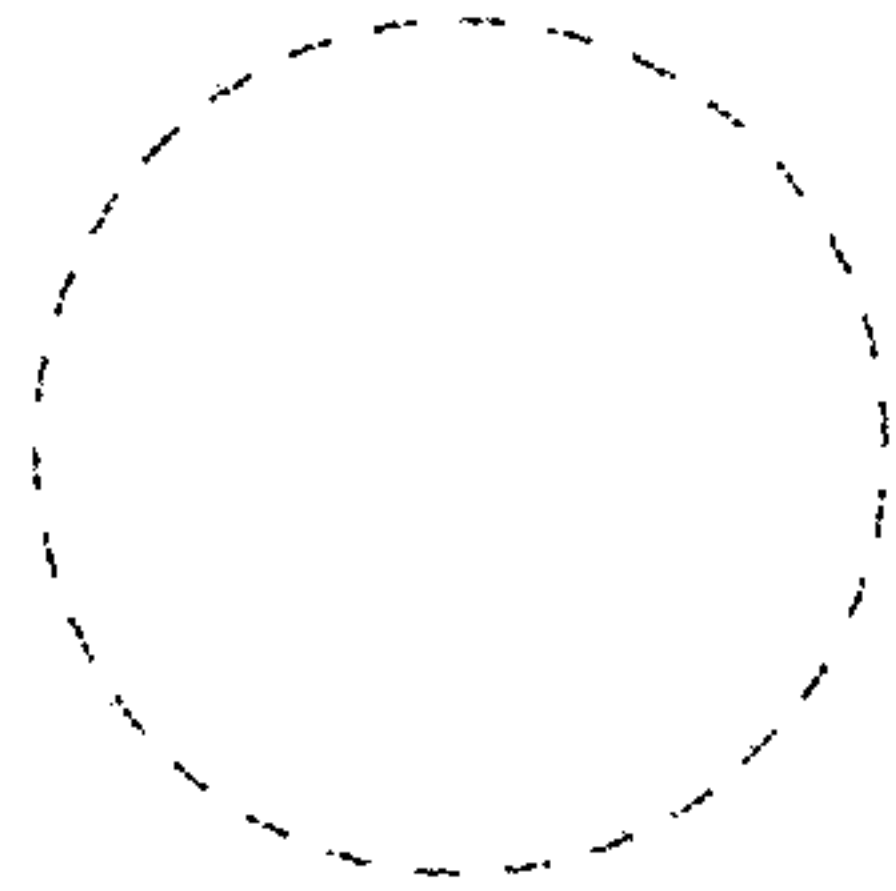


FIG. 5

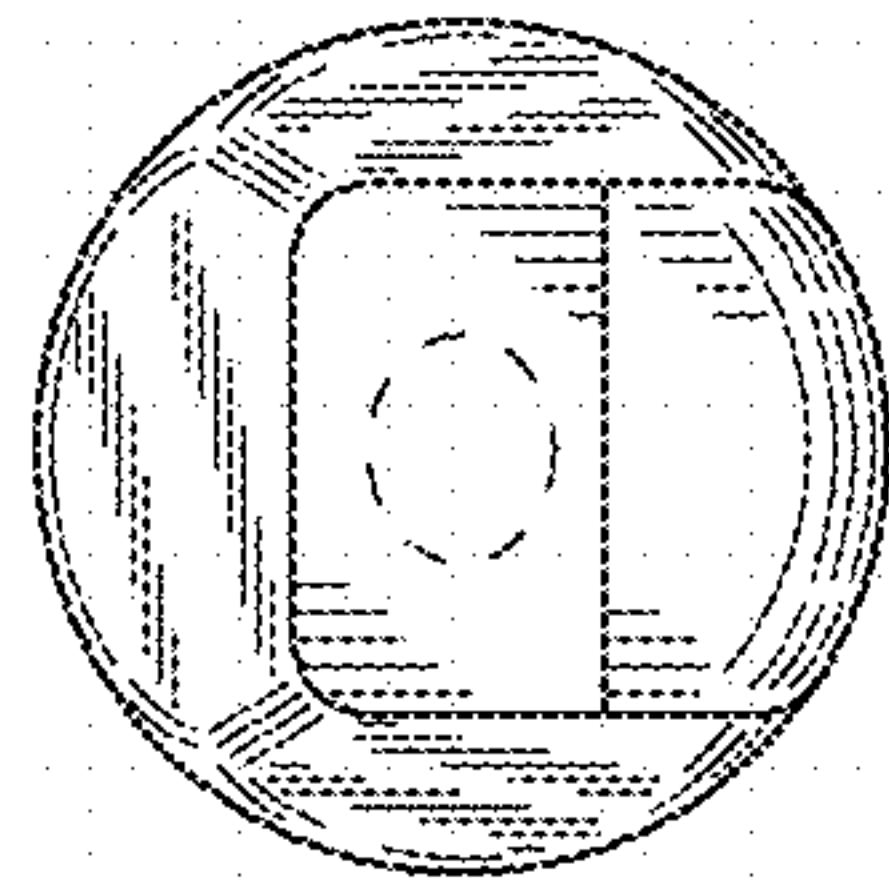
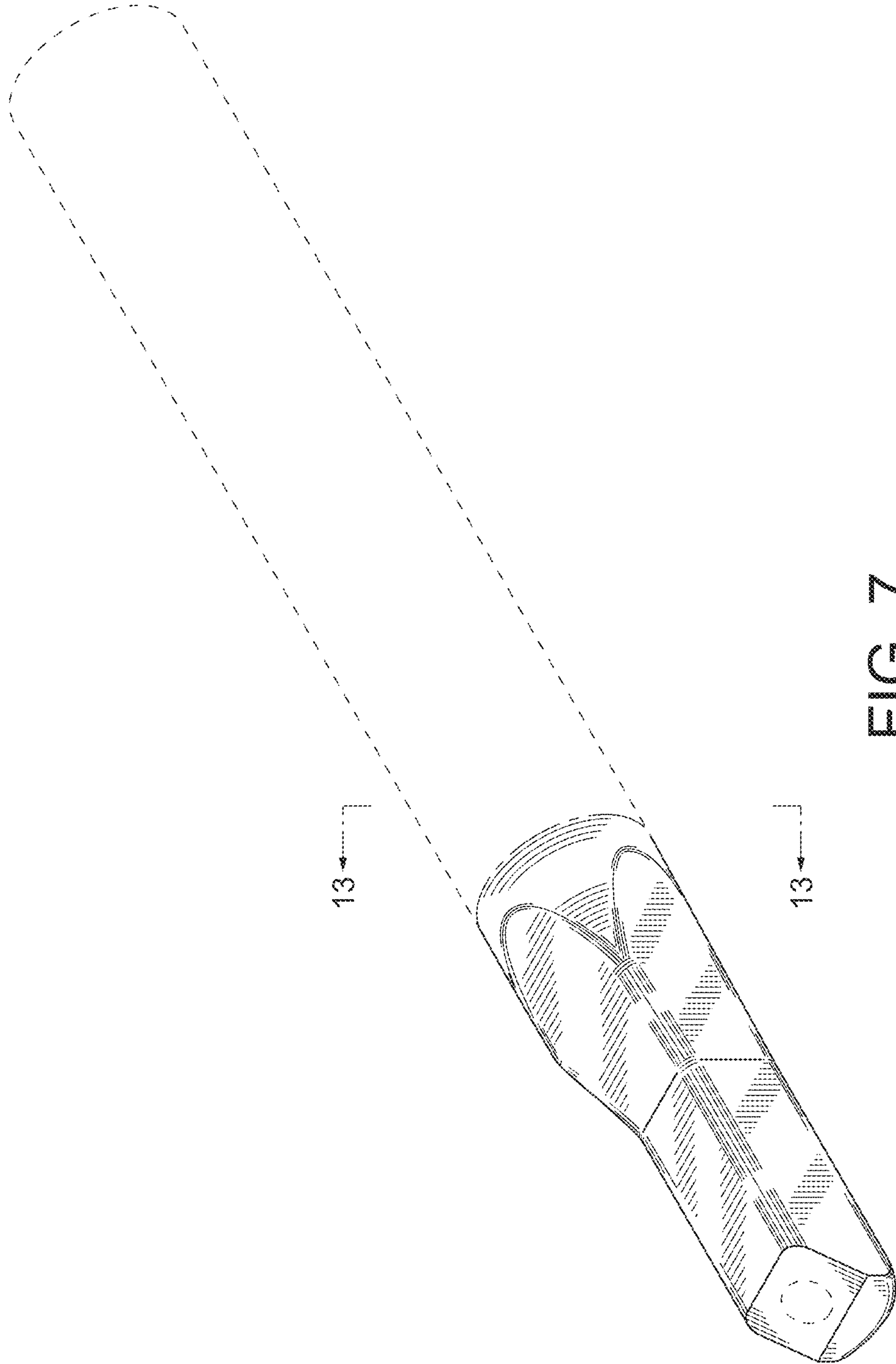


FIG. 6



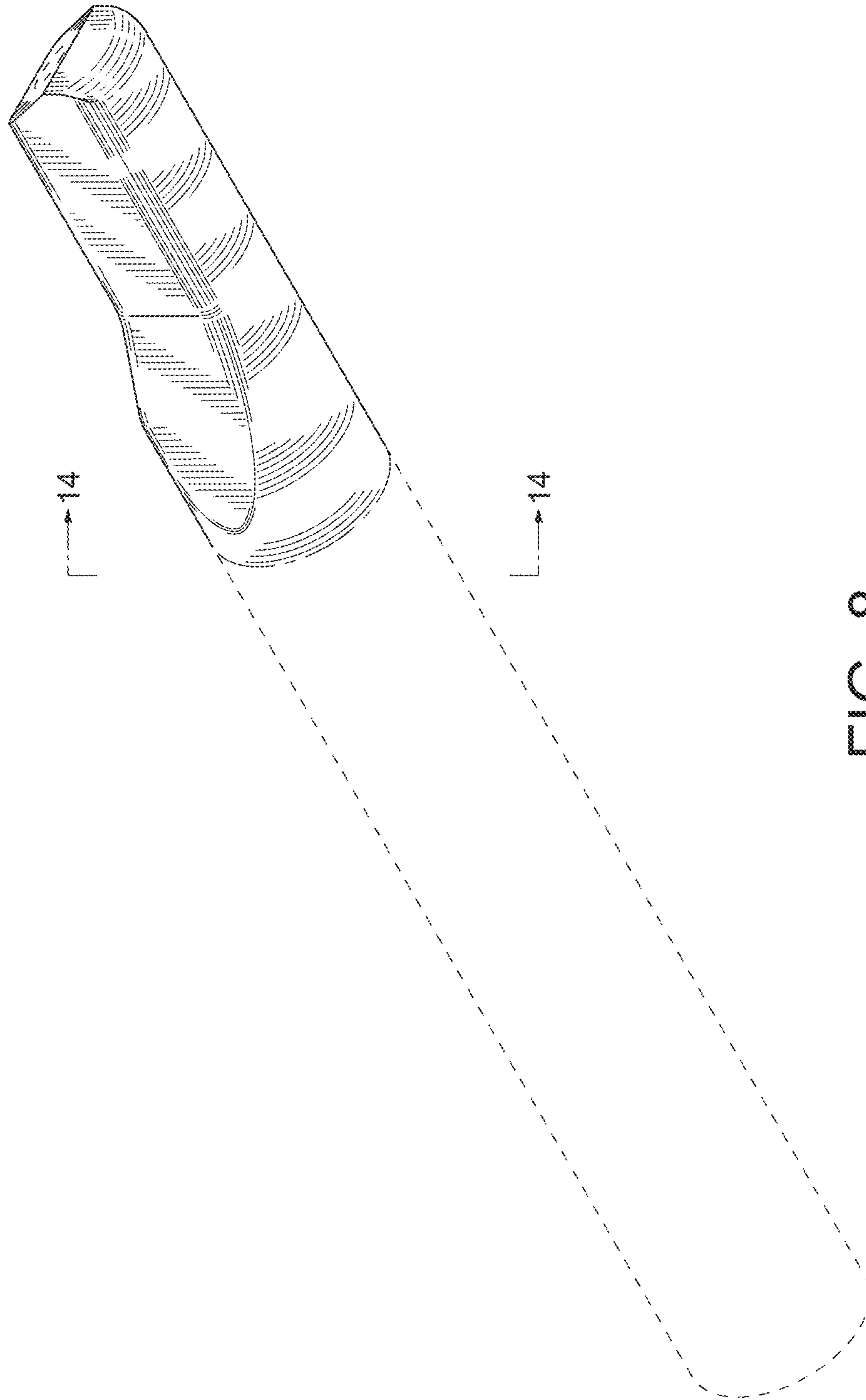


FIG. 8

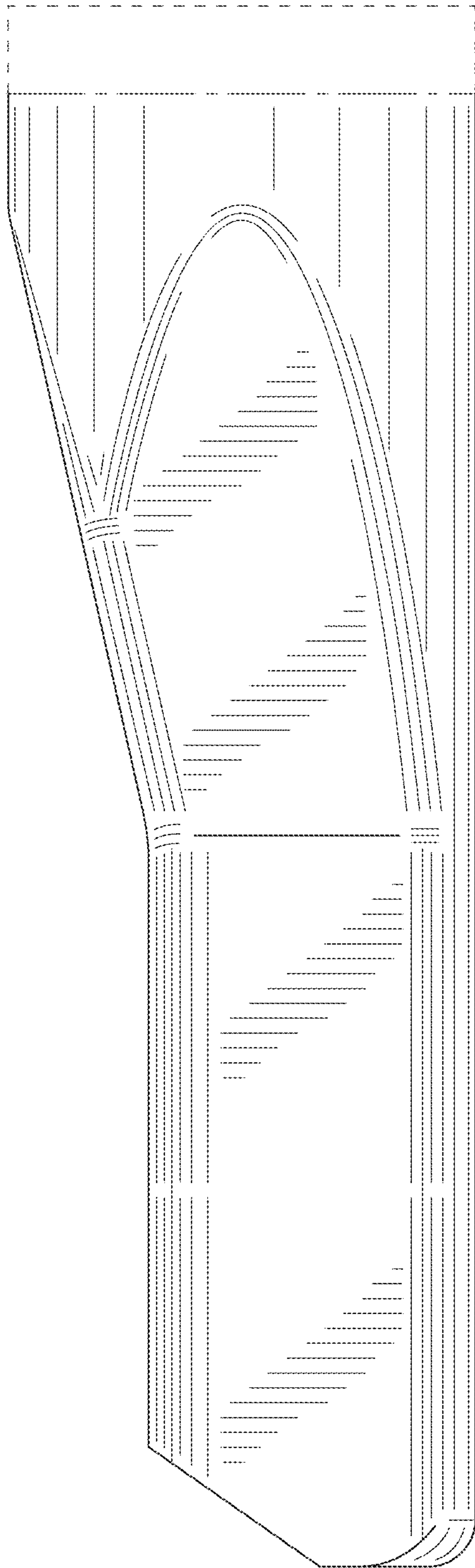


FIG. 9

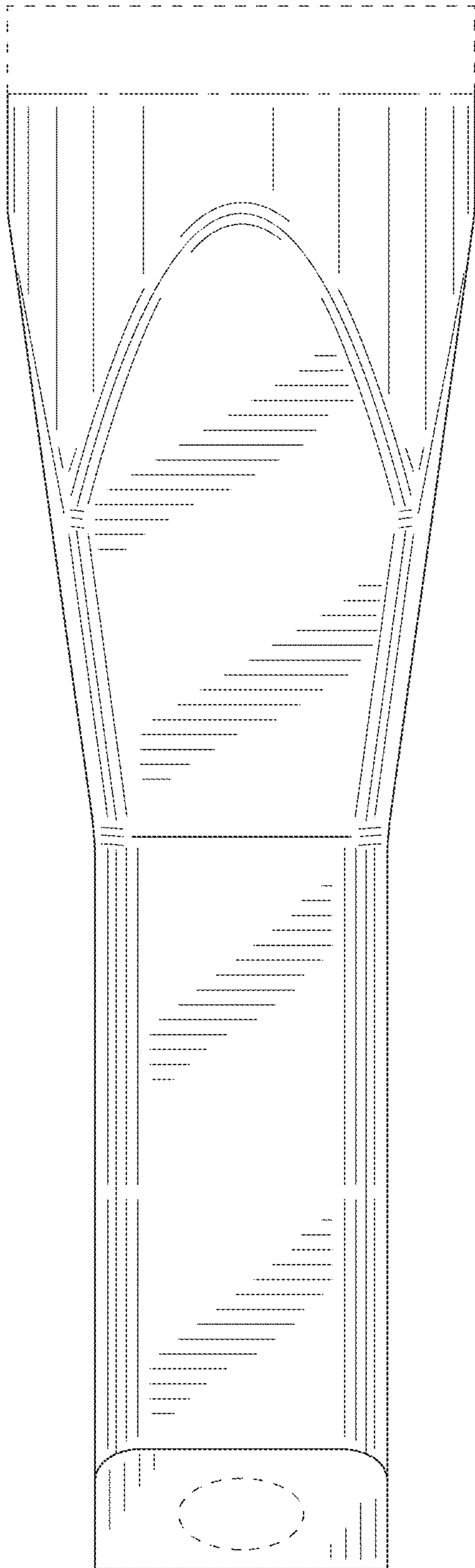


FIG. 10

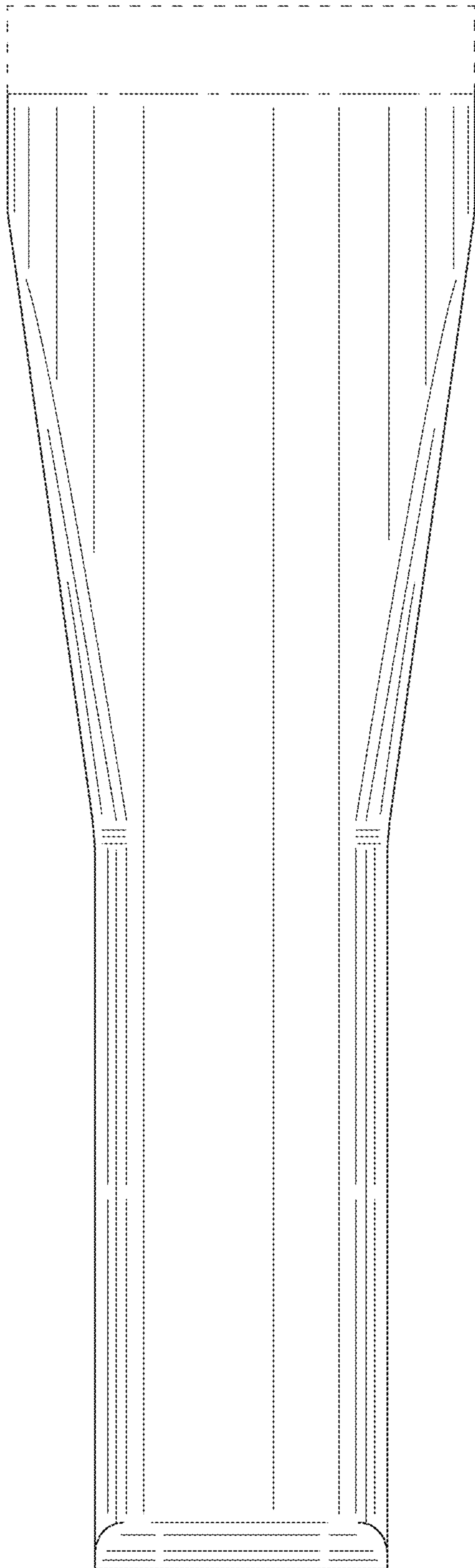


FIG. 11

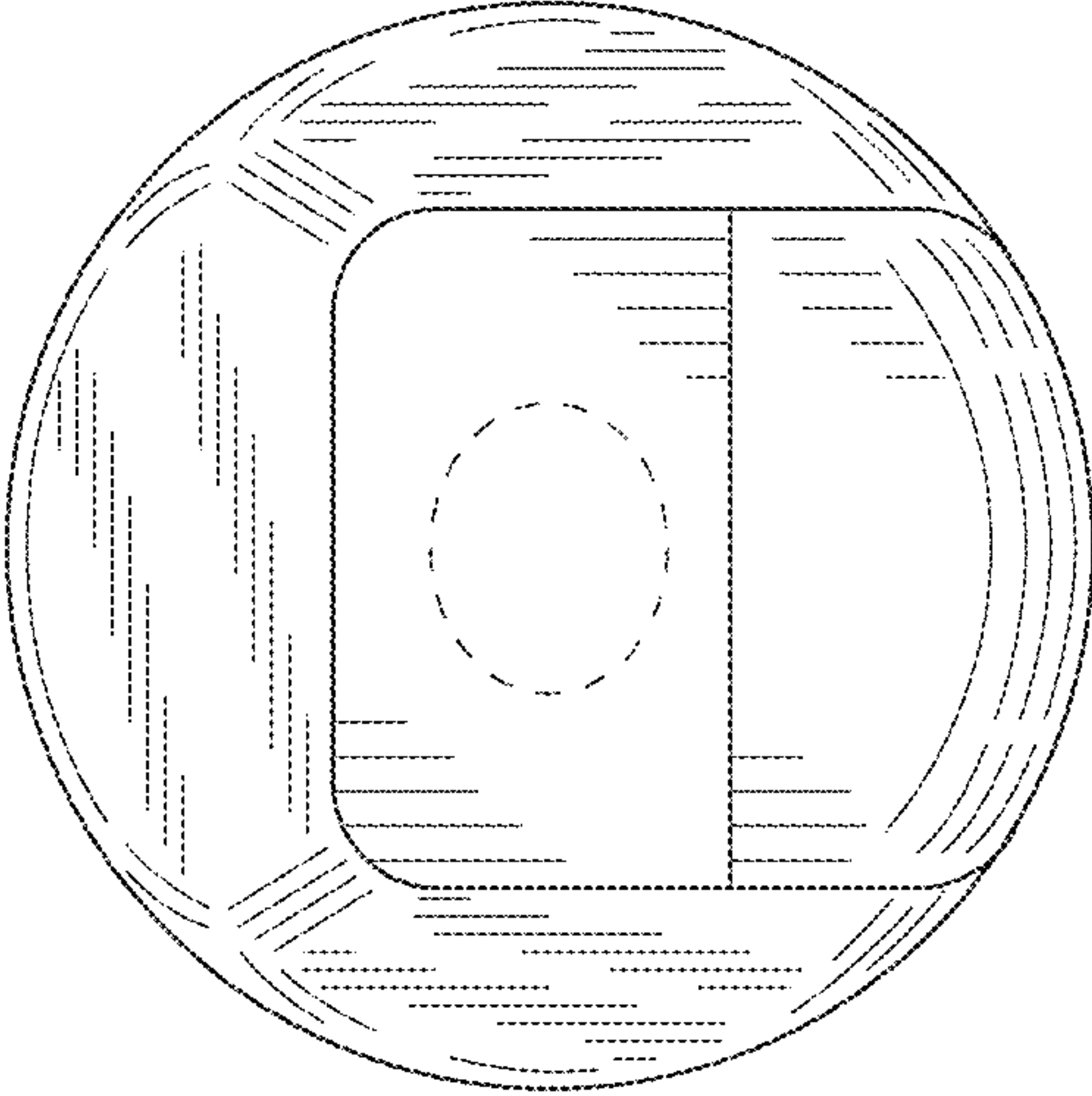


FIG. 12

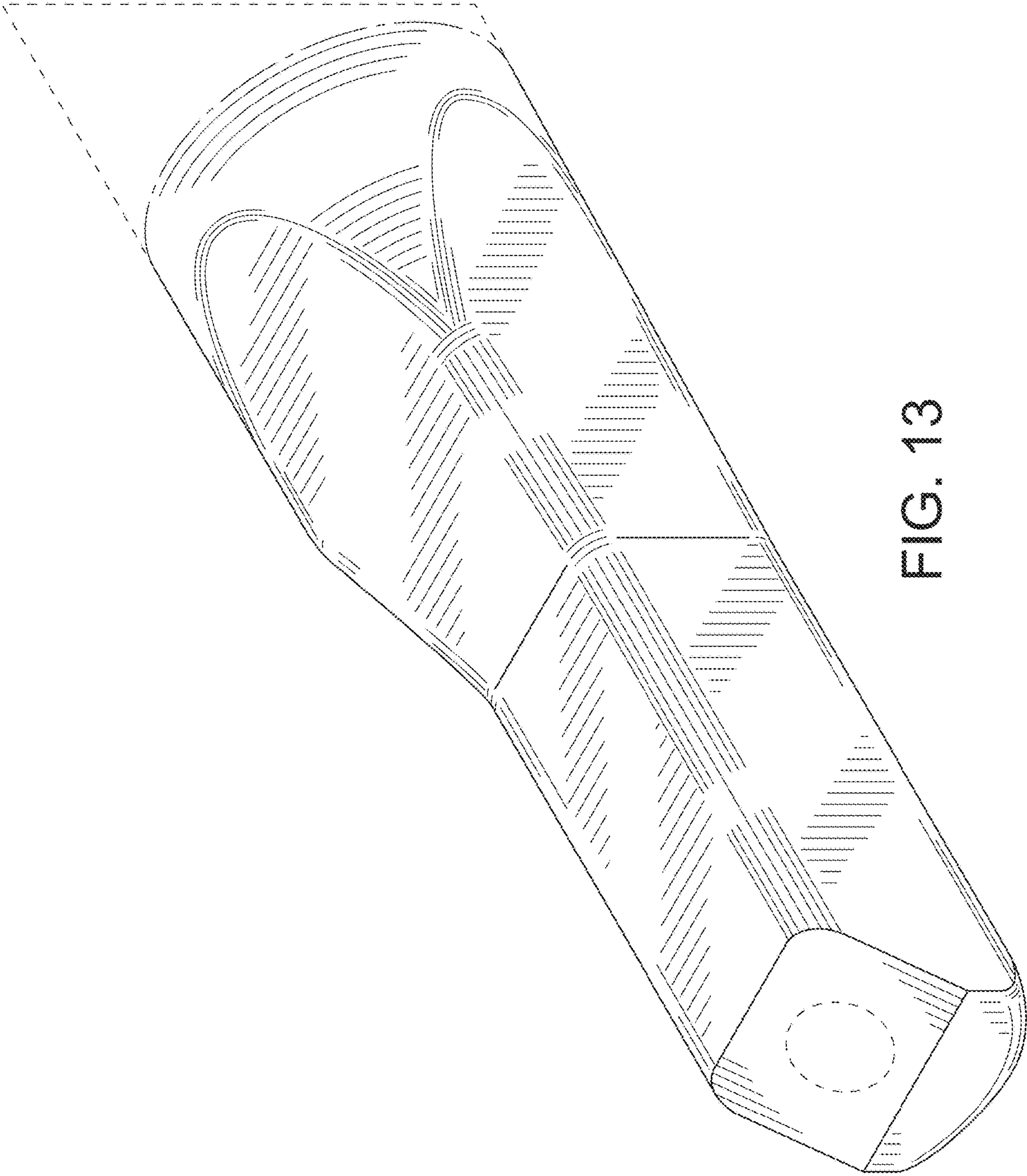


FIG. 13

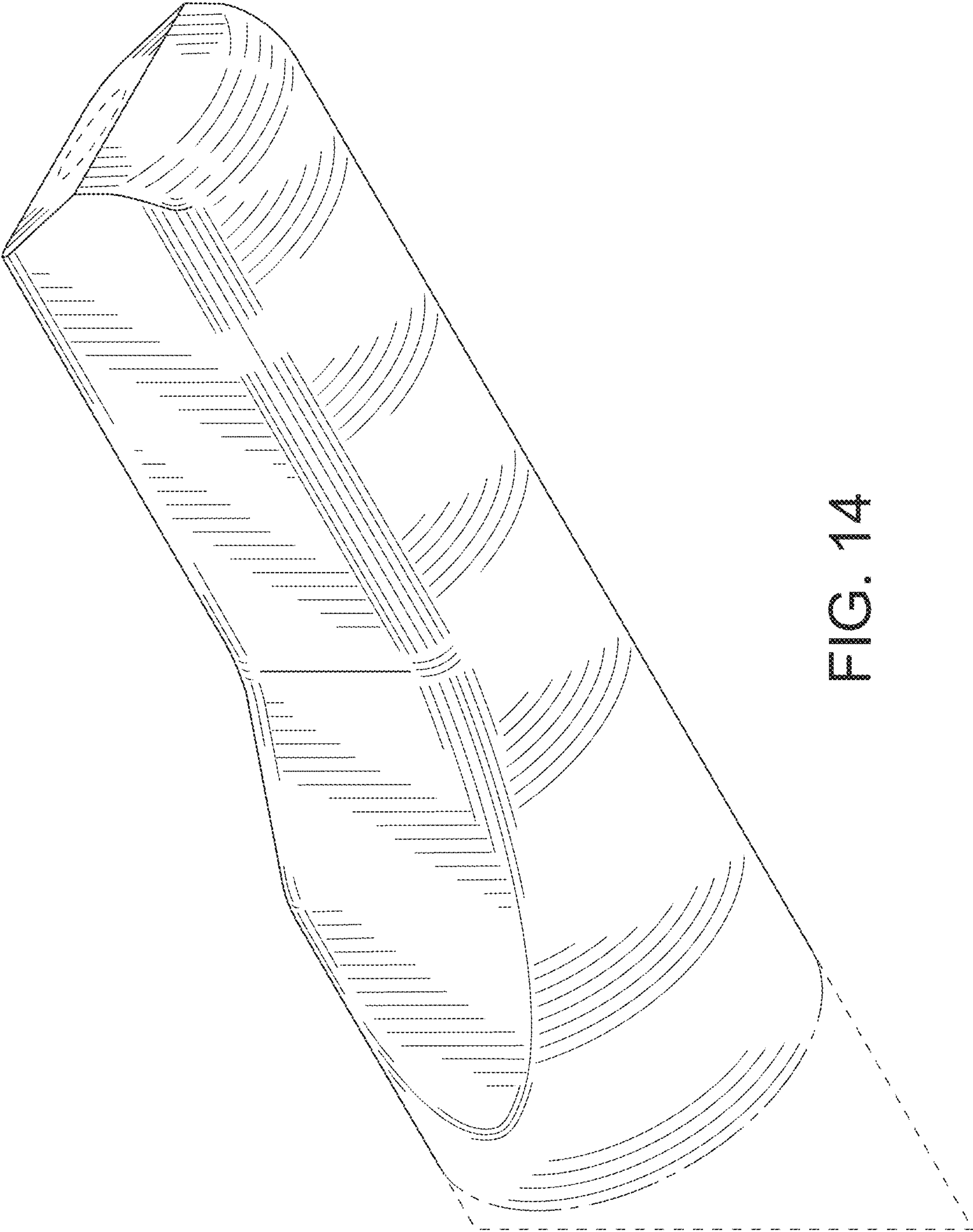


FIG. 14

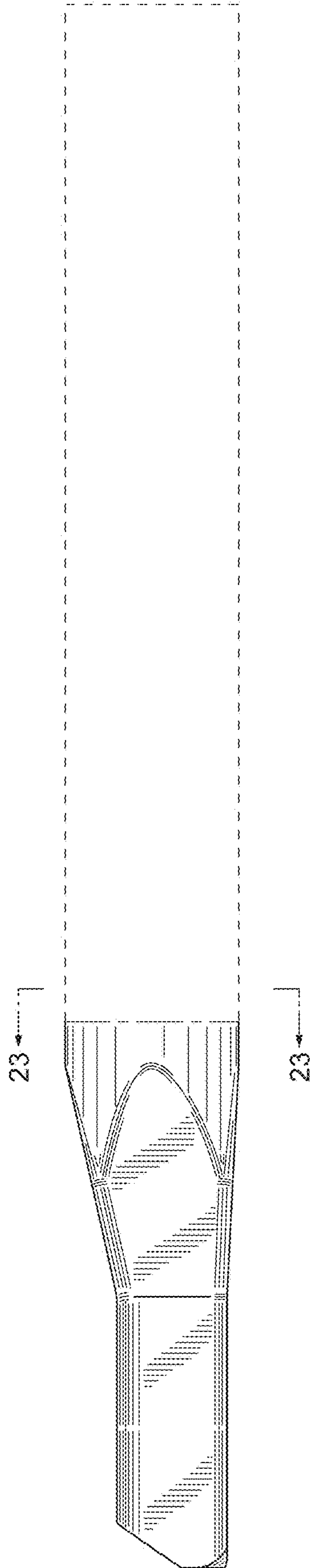


FIG. 15

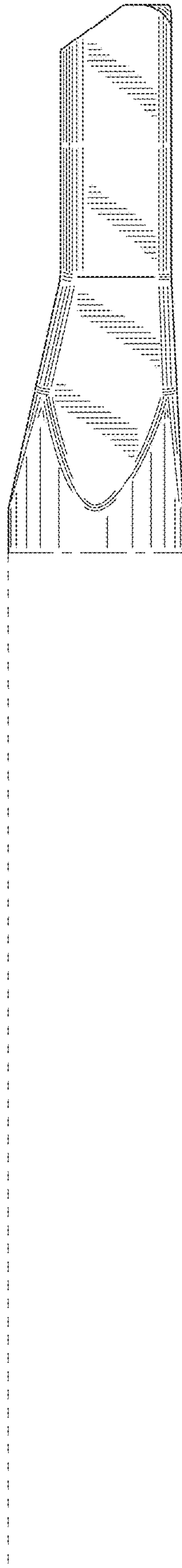


FIG. 16

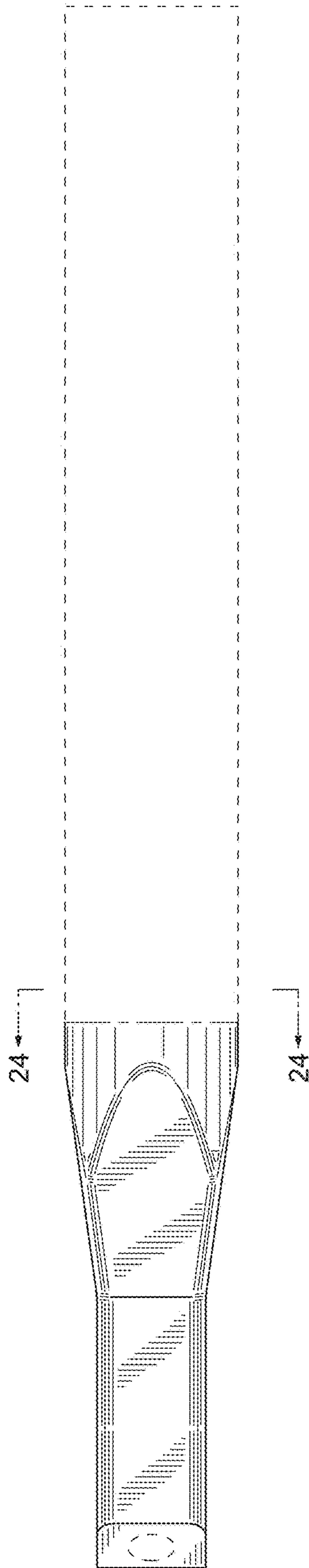


FIG. 17

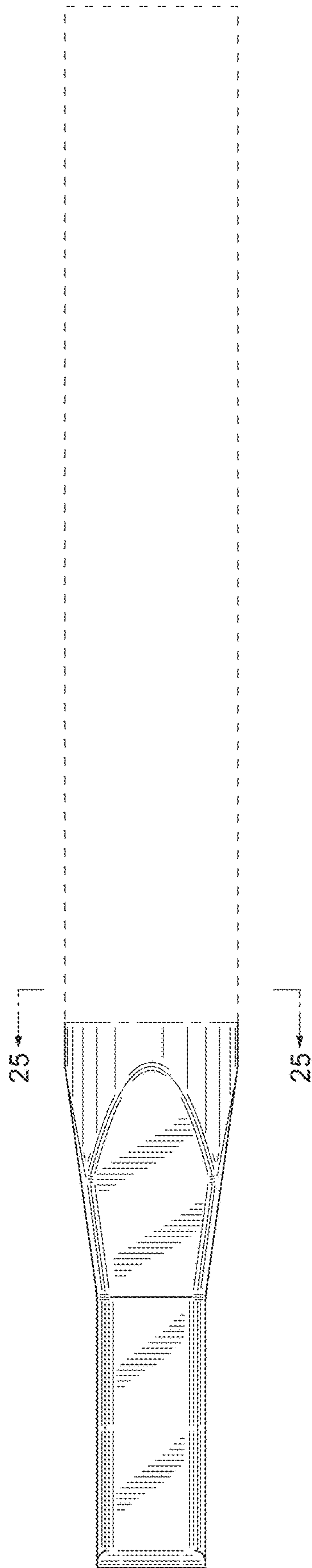


FIG. 18

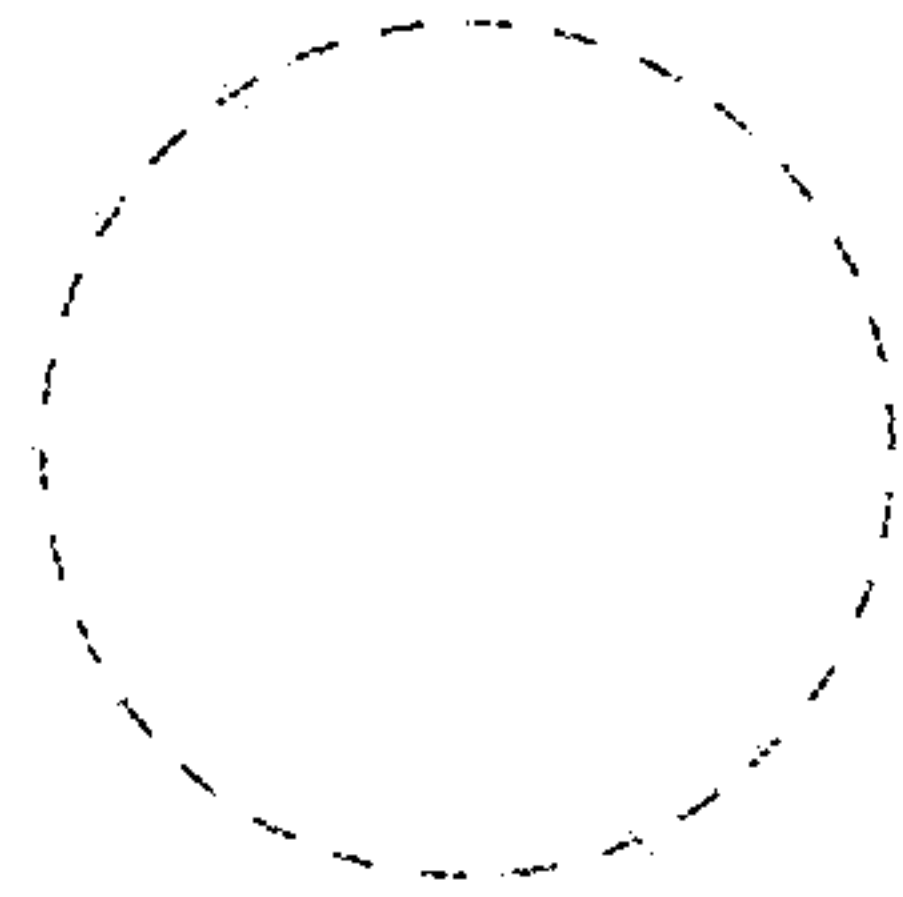


FIG. 19

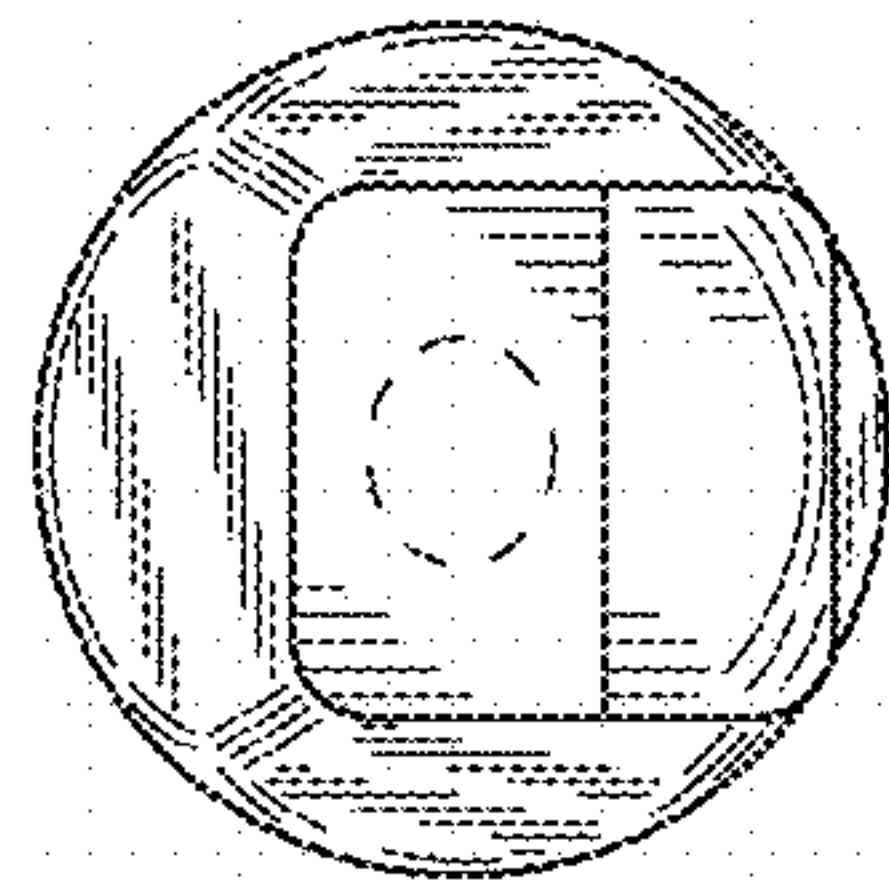


FIG. 20

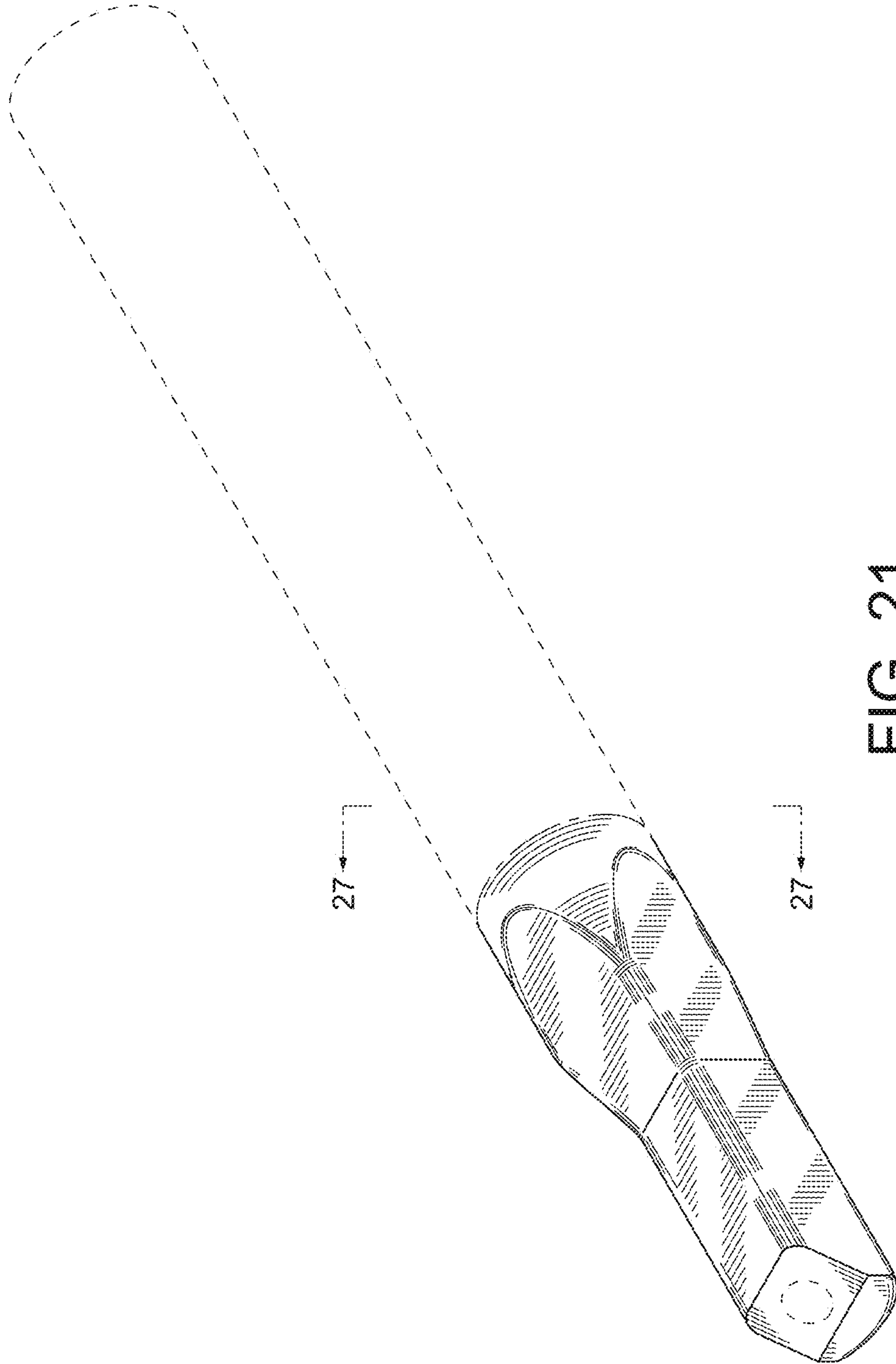


FIG. 21

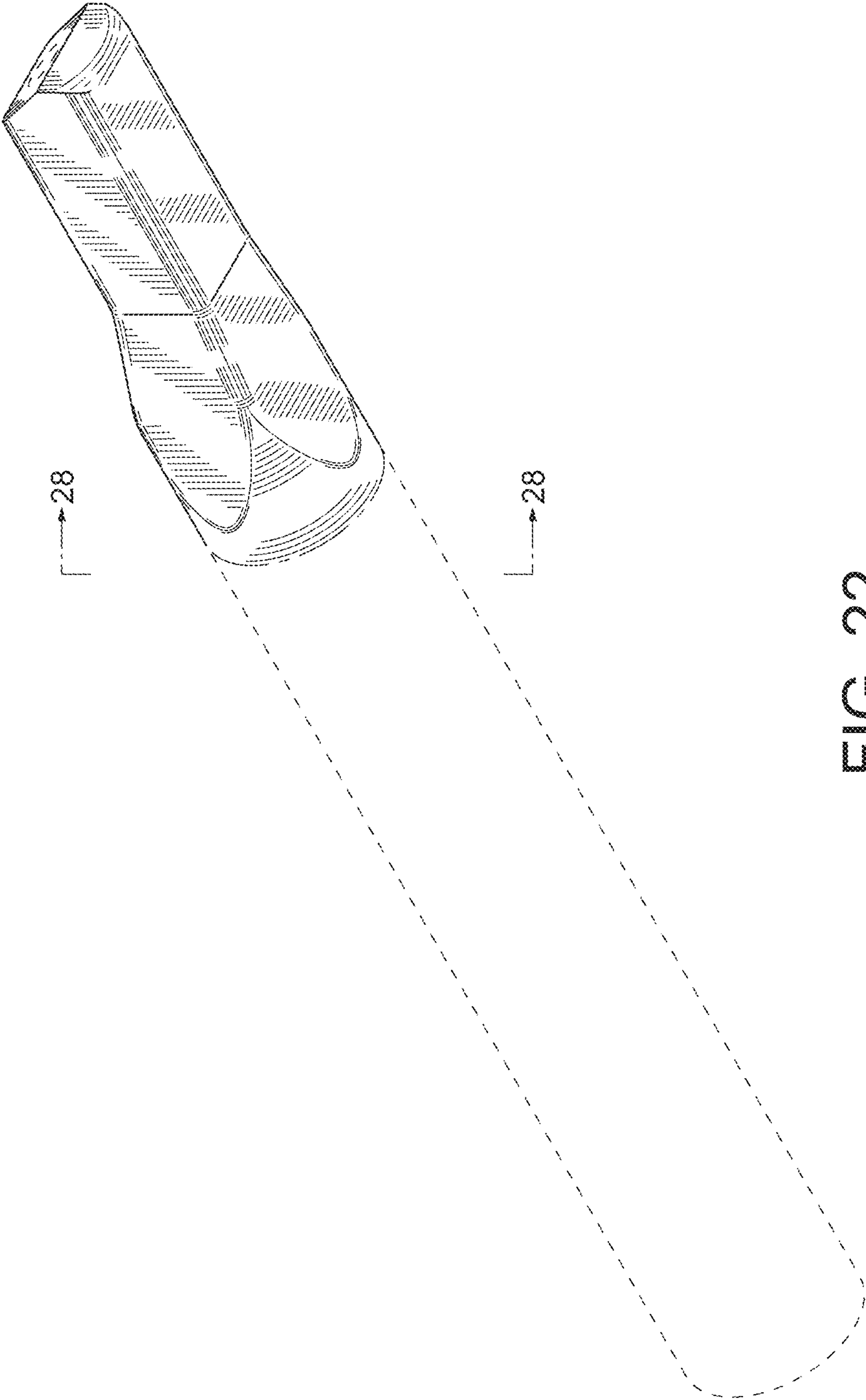


FIG. 22

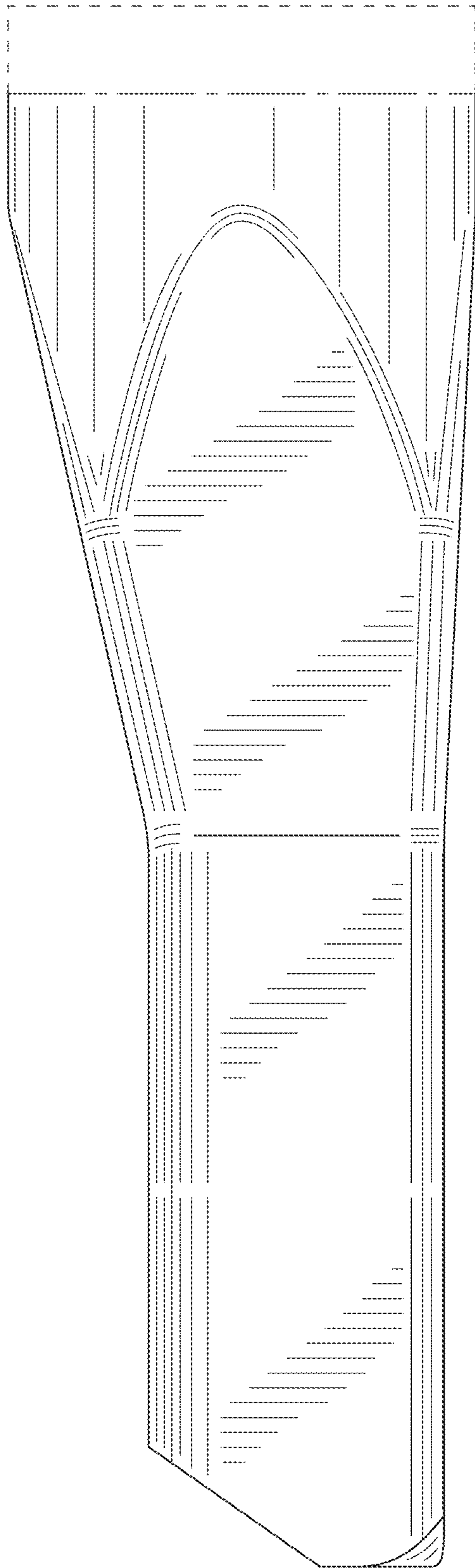


FIG. 23

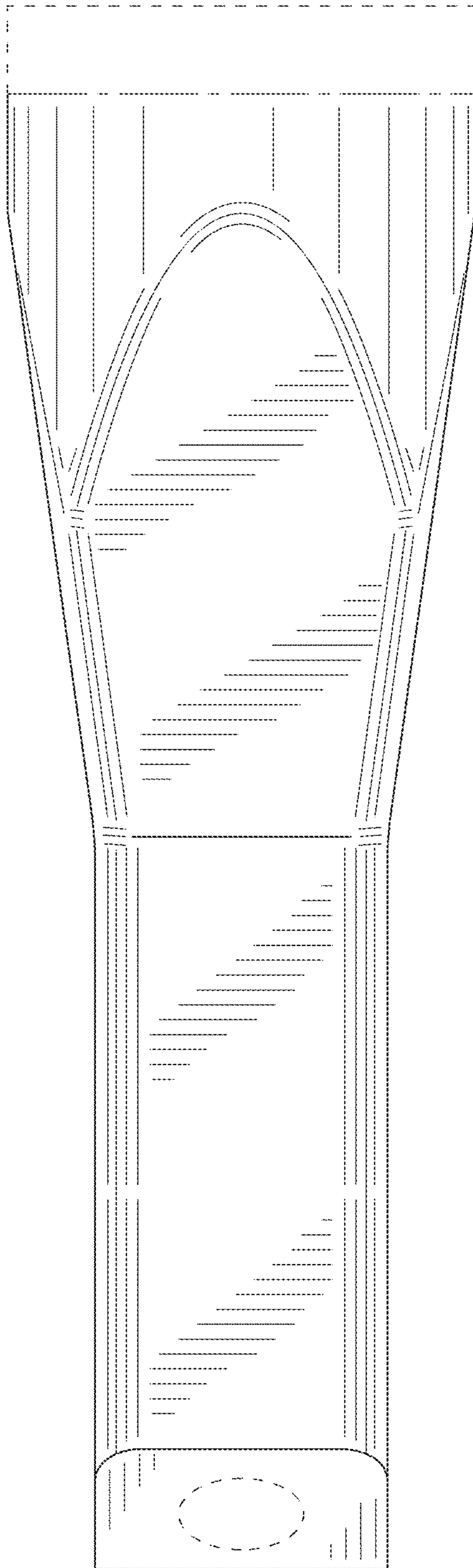


FIG. 24

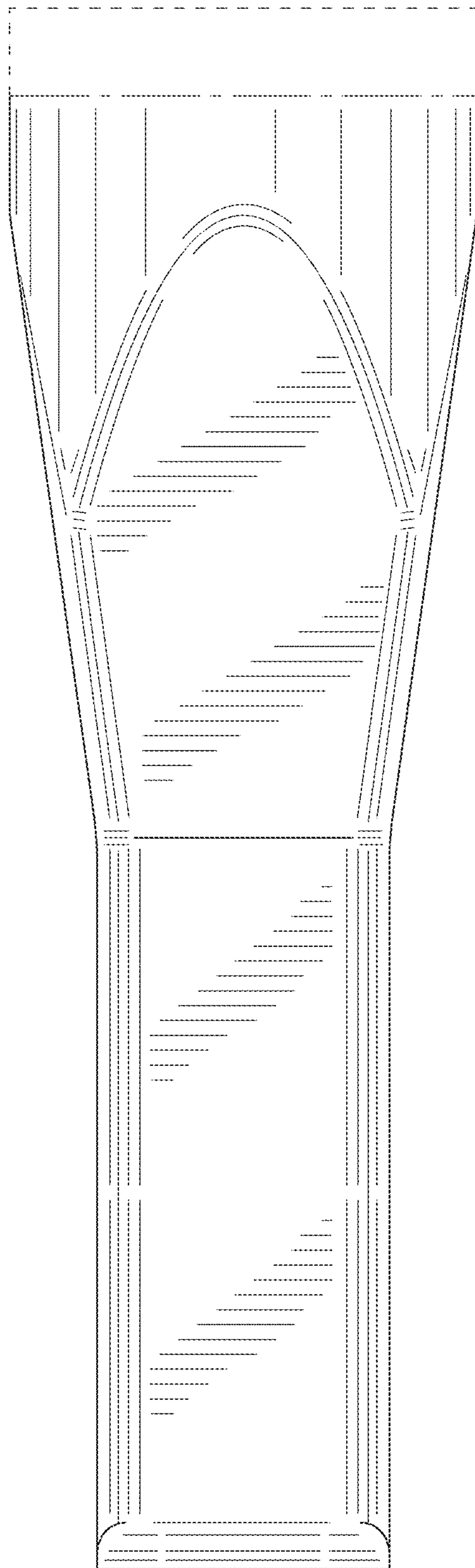


FIG. 25

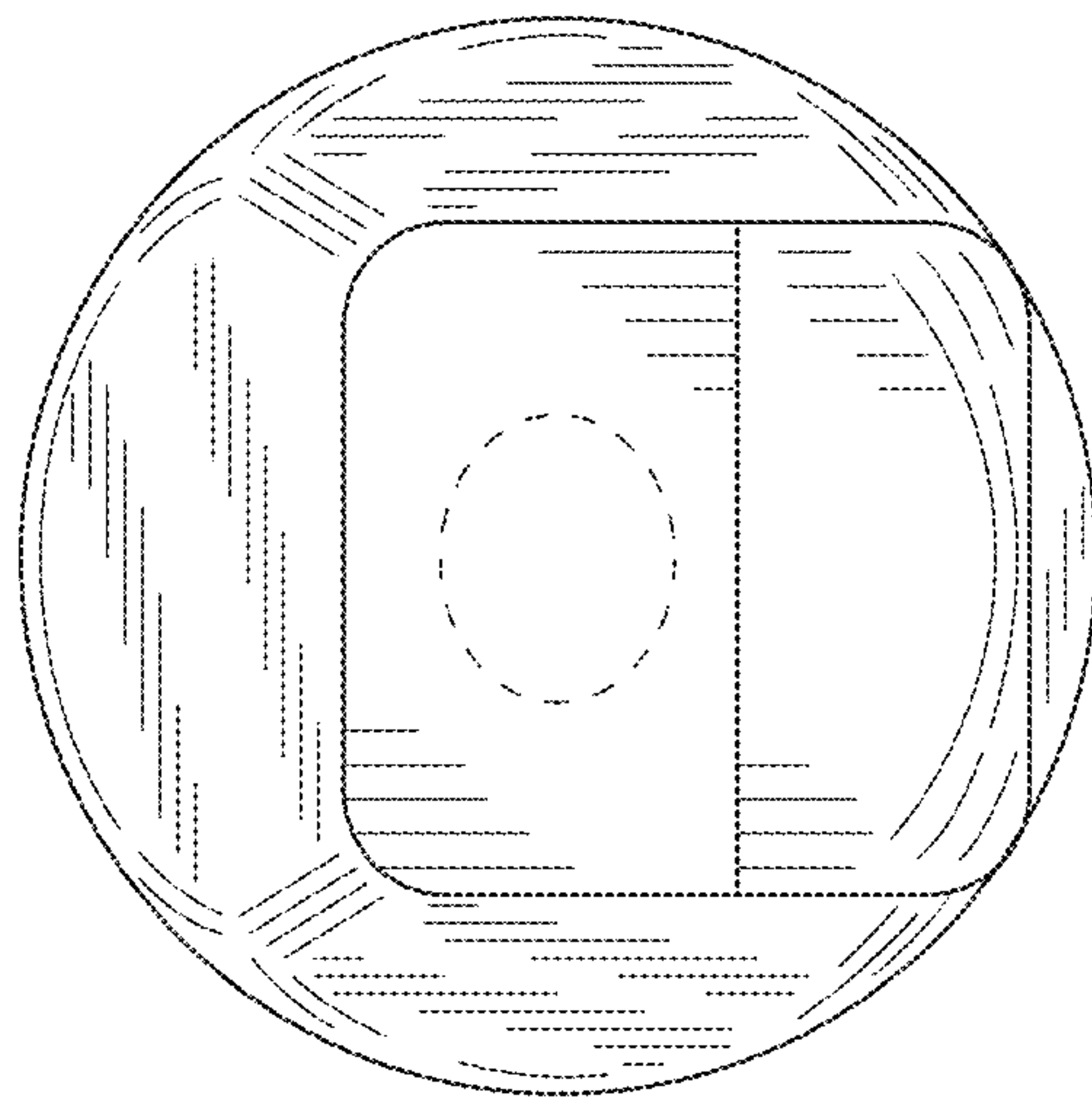


FIG. 26

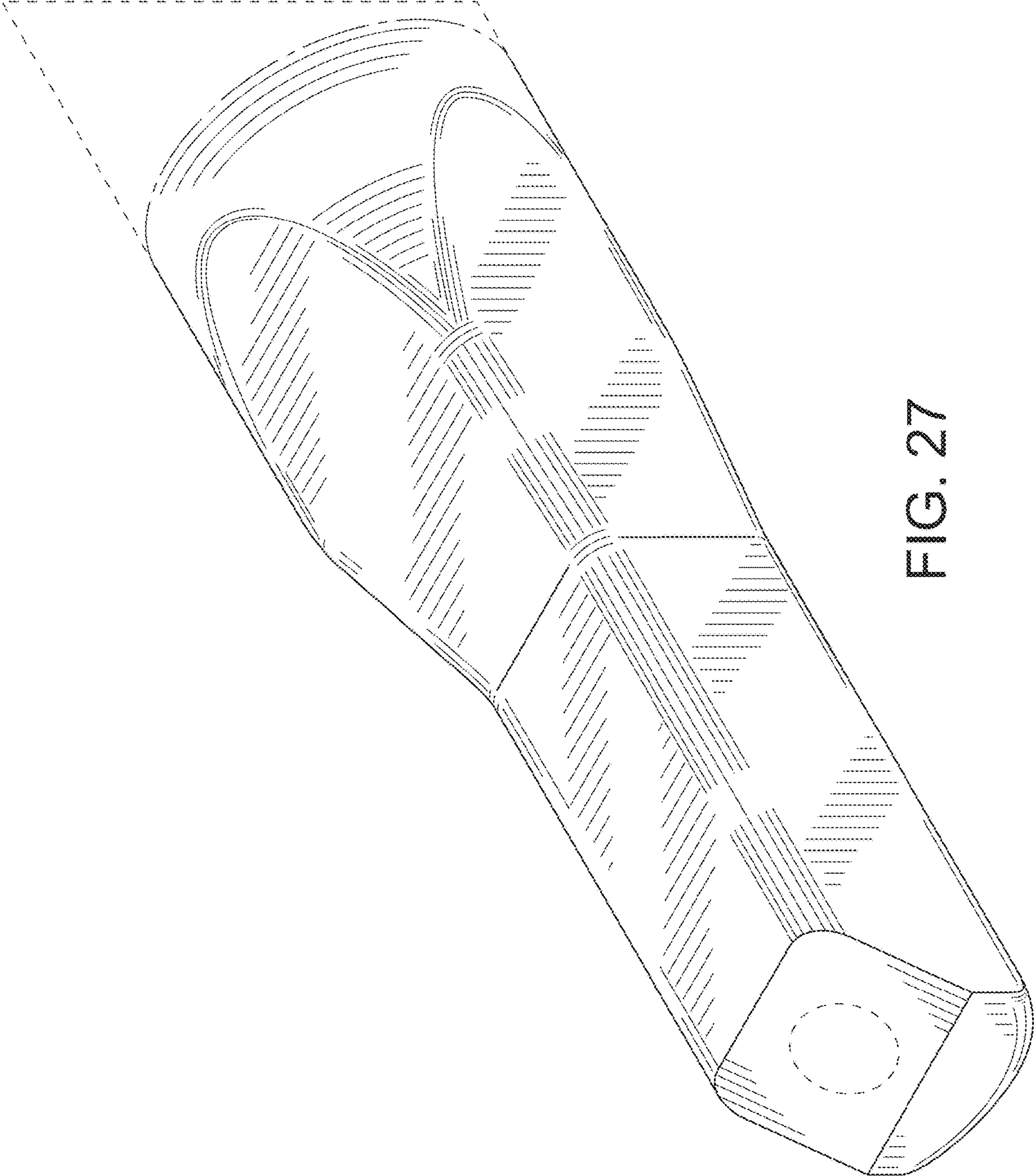


FIG. 27

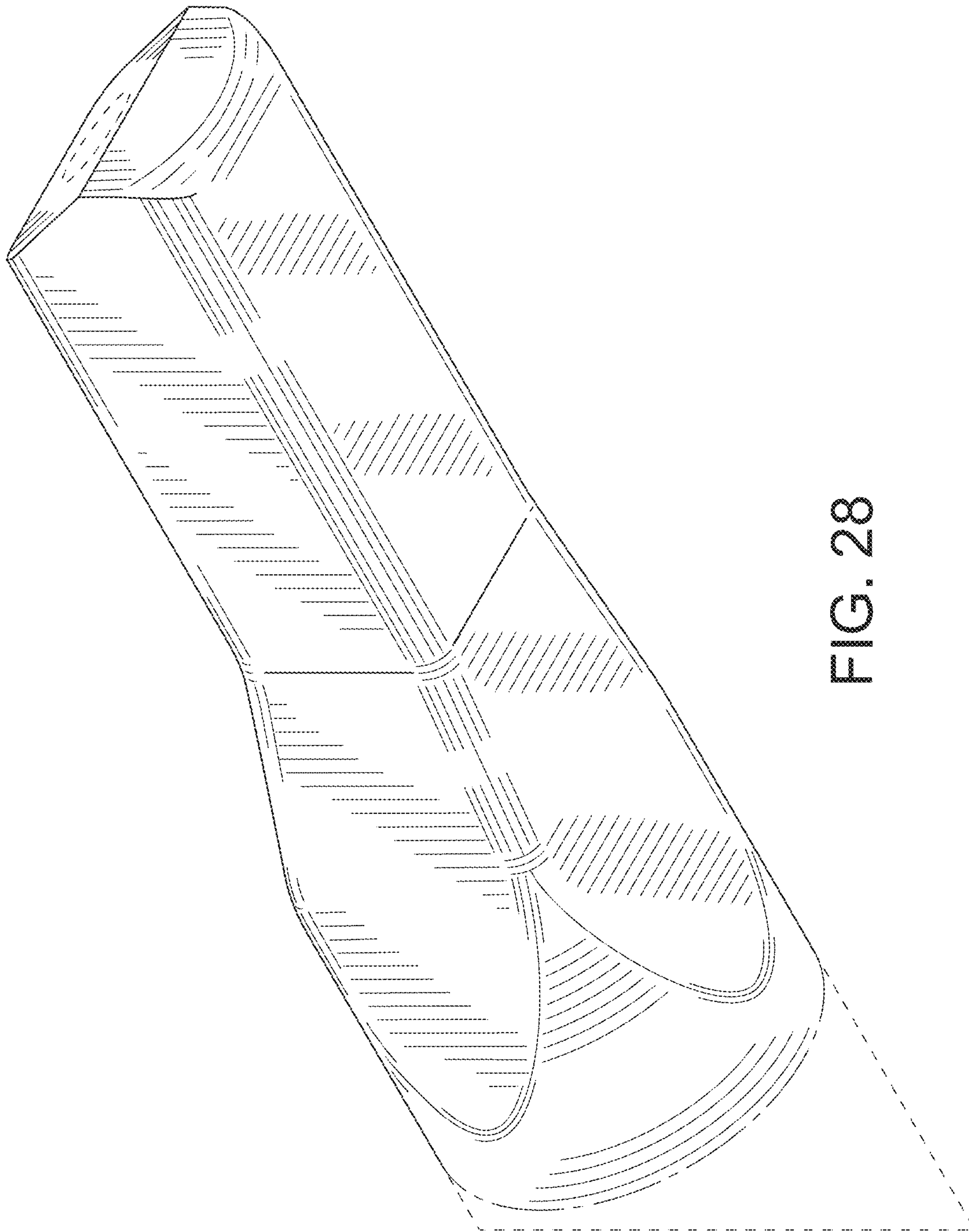


FIG. 28