



US00D913936S

(12) **United States Design Patent**  
**Nook et al.**

(10) **Patent No.:** **US D913,936 S**  
(45) **Date of Patent:** **\*\* Mar. 23, 2021**

(54) **BATTERY CLAMP**  
(71) Applicant: **THE NOCO COMPANY**, Glenwillow, OH (US)  
(72) Inventors: **Jonathan Lewis Nook**, Gates Mills, OH (US); **William Knight Nook**, Shaker Heights, OH (US); **James Richard Stanfield**, Peoria, AZ (US); **Derek Michael Underhill**, Tempe, AZ (US)

D346,149 S \* 4/1994 Deering ..... D13/120  
5,601,452 A \* 2/1997 Ruffa ..... H01R 11/24  
439/504  
6,871,387 B2 \* 3/2005 Cheng ..... H01R 11/24  
24/499  
D597,029 S \* 7/2009 Li ..... D13/120  
7,959,476 B2 \* 6/2011 Smith ..... H01R 11/281  
439/759  
D649,116 S \* 11/2011 Nakatsuka ..... D13/120  
9,923,289 B2 \* 3/2018 Bertness ..... H01R 11/24  
D853,330 S \* 7/2019 Dai ..... D13/120

\* cited by examiner

(73) Assignee: **THE NOCO COMPANY**, Glenwillow, OH (US)

*Primary Examiner* — Jennifer O King

(\*\*) Term: **15 Years**

(74) *Attorney, Agent, or Firm* — Vorys, Sater, Seymour and Pease LLP; William L. Klima

(21) Appl. No.: **29/665,461**

(57) **CLAIM**

(22) Filed: **Oct. 3, 2018**

The ornamental design for a battery clamp, as shown and described.

(51) **LOC (13) Cl.** ..... **13-02**

(52) **U.S. Cl.**  
USPC ..... **D13/120**

(58) **Field of Classification Search**  
USPC ..... D13/107, 110, 133, 148, 149, 154, 156,  
D13/184, 199, 120; D8/72  
CPC ..... H01R 11/24; H01R 11/18; H01R 11/22;  
H01R 11/281; H01R 13/2421  
See application file for complete search history.

**DESCRIPTION**

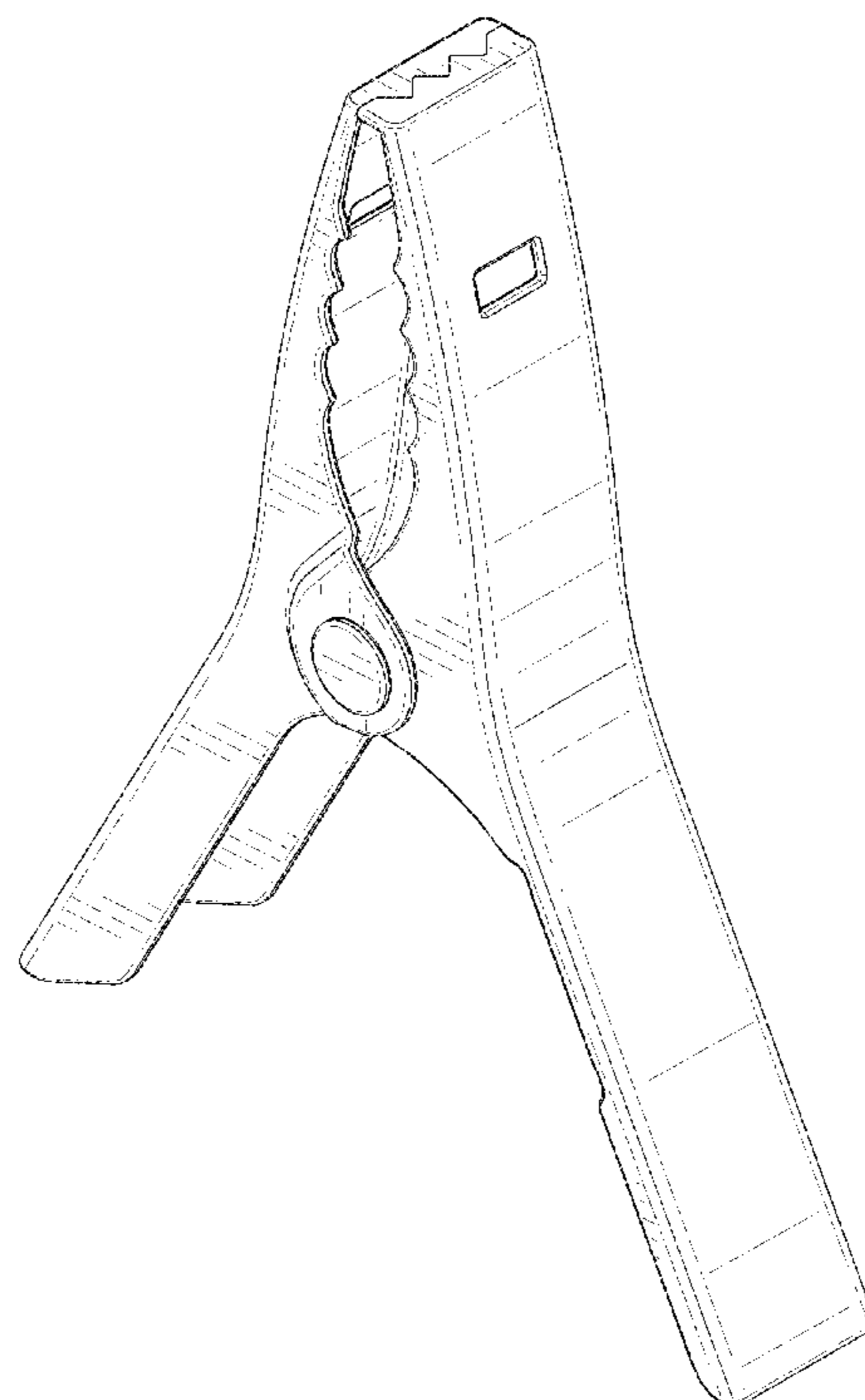
FIG. 1 is a front perspective view of a new design for a battery clamp;  
FIG. 2 is a left side elevational view thereof;  
FIG. 3 is a right side elevational view thereof;  
FIG. 4 is a front elevational view thereof;  
FIG. 5 is a rear elevational view thereof;  
FIG. 6 is a top plan view thereof; and,  
FIG. 7 is a bottom plan view thereof.  
The broken lines shown represent portions of the battery clamp that form no part of the claimed design.

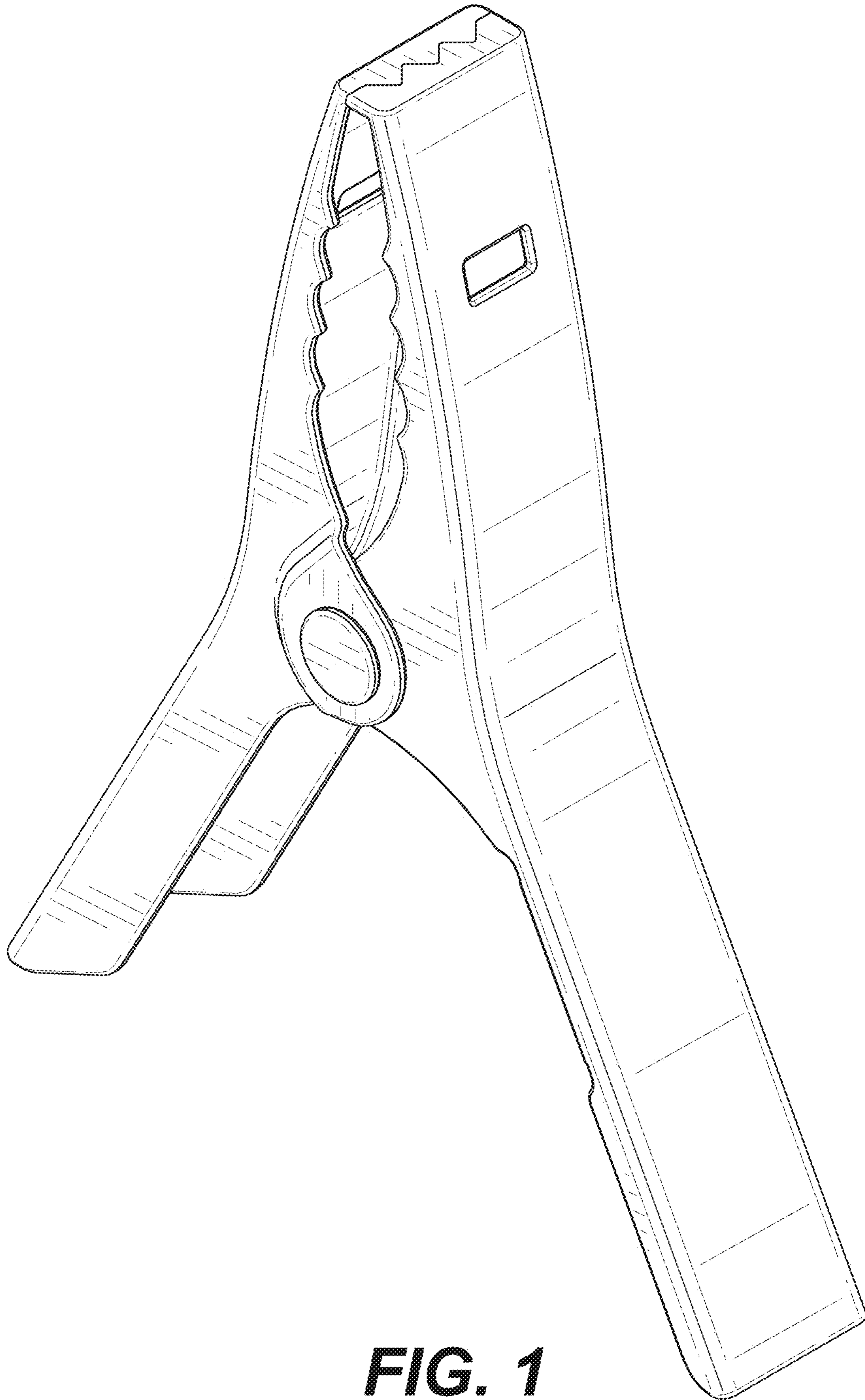
(56) **References Cited**

U.S. PATENT DOCUMENTS

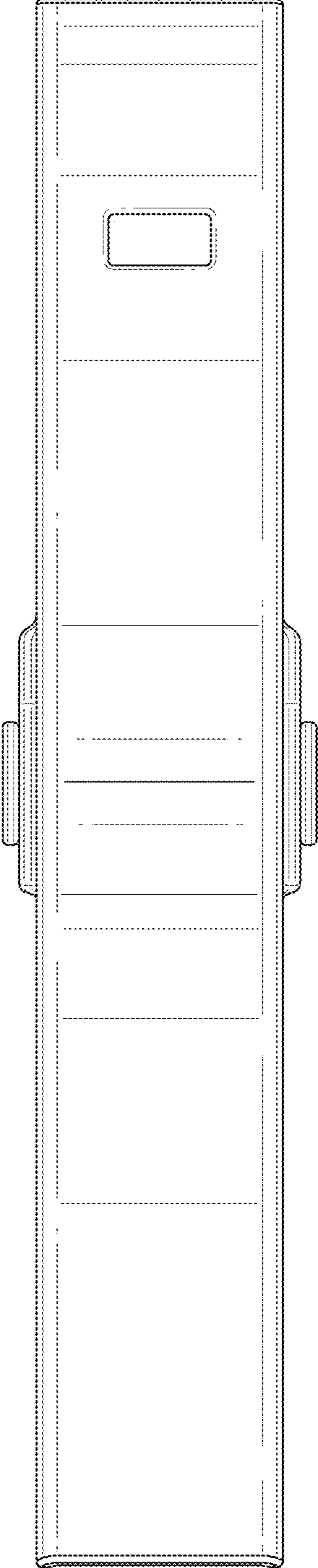
3,571,701 A \* 3/1971 Lai ..... G01R 1/06788  
324/510  
4,620,767 A \* 11/1986 Woolf ..... H01R 11/24  
439/217

**1 Claim, 7 Drawing Sheets**

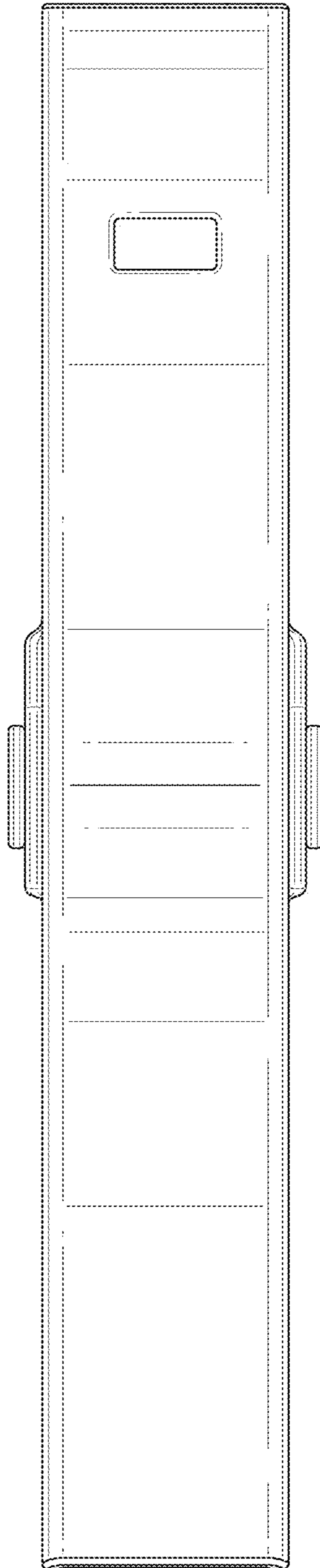




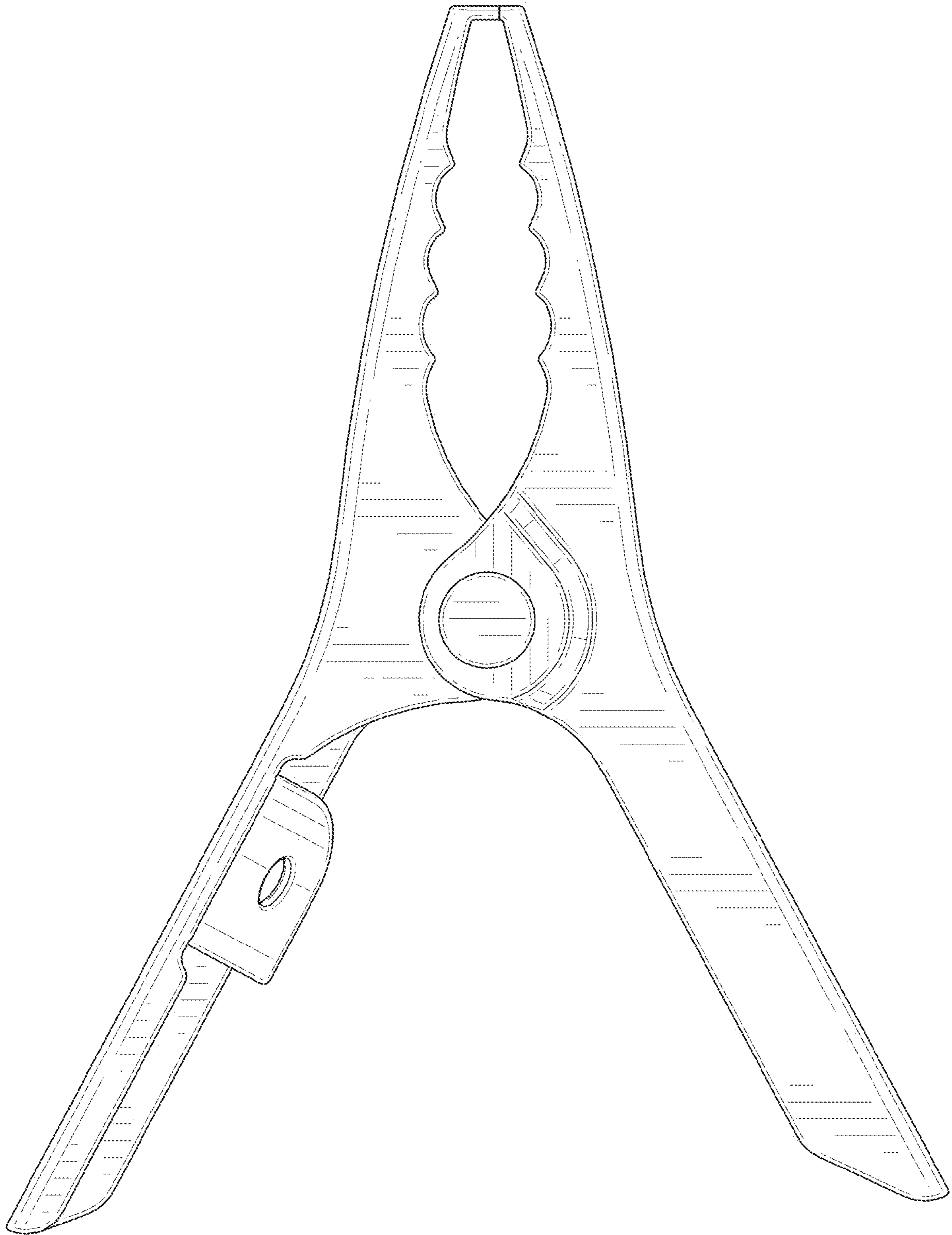
**FIG. 1**



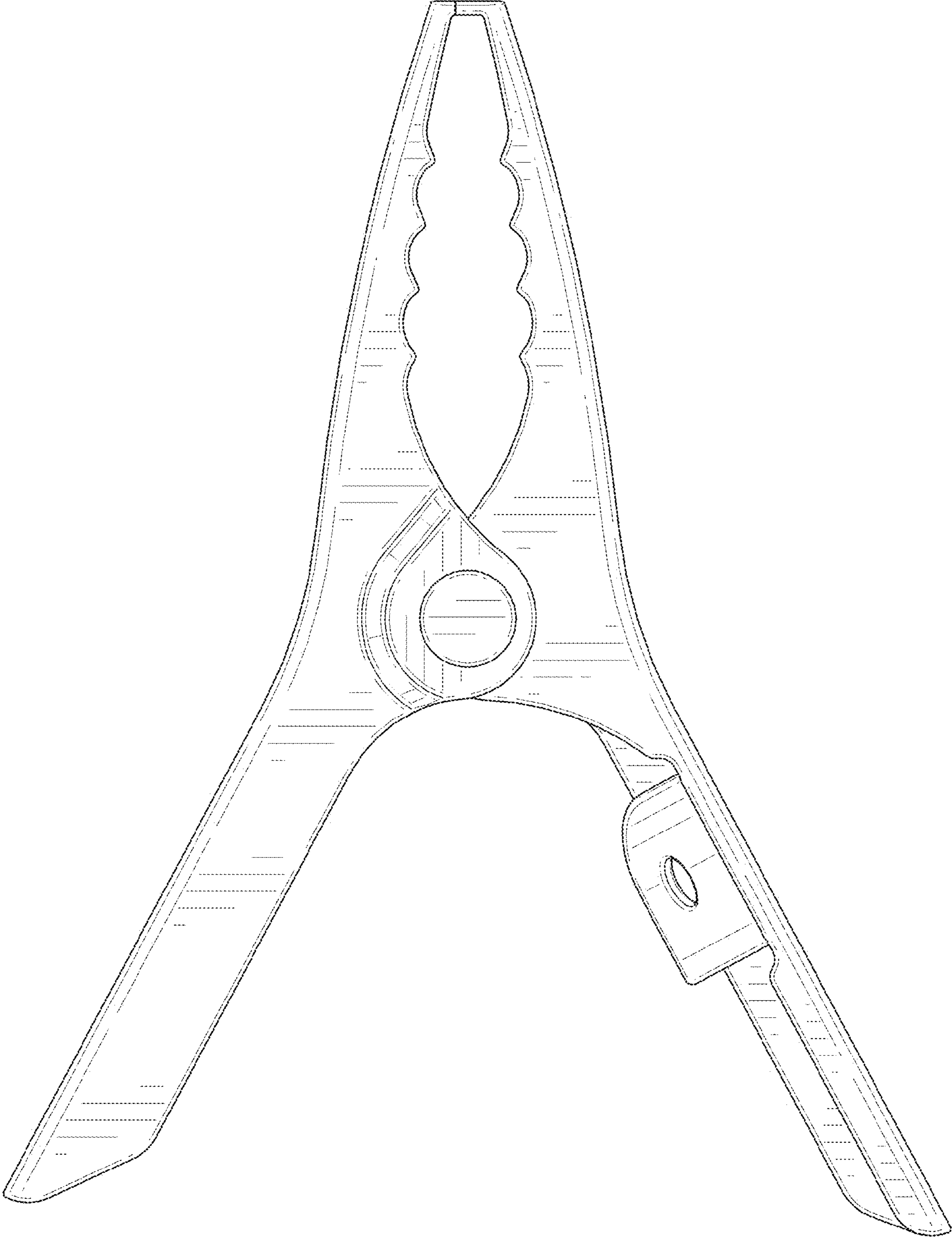
**FIG. 2**



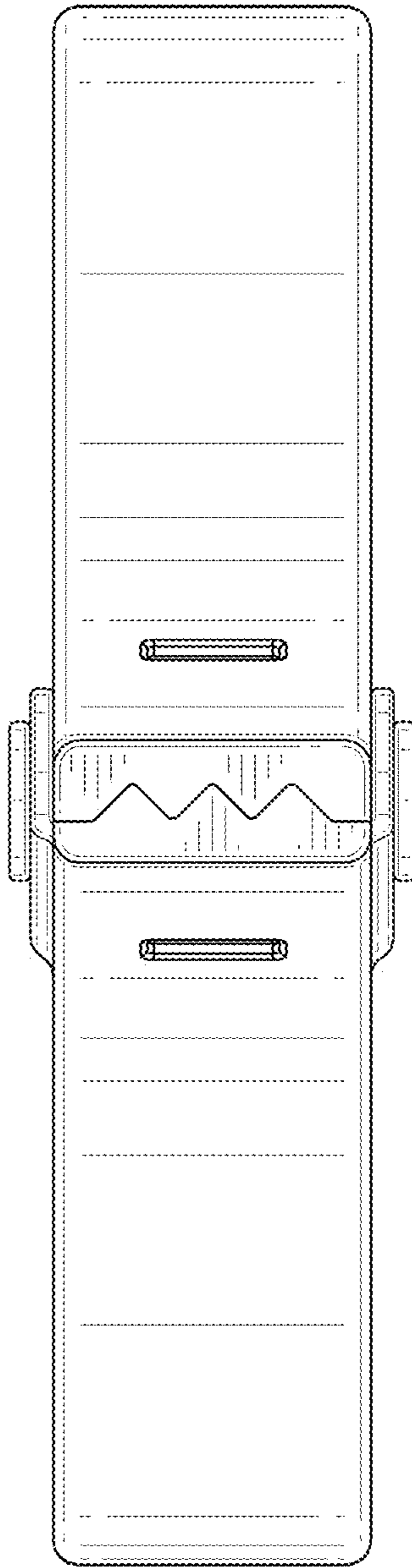
**FIG. 3**



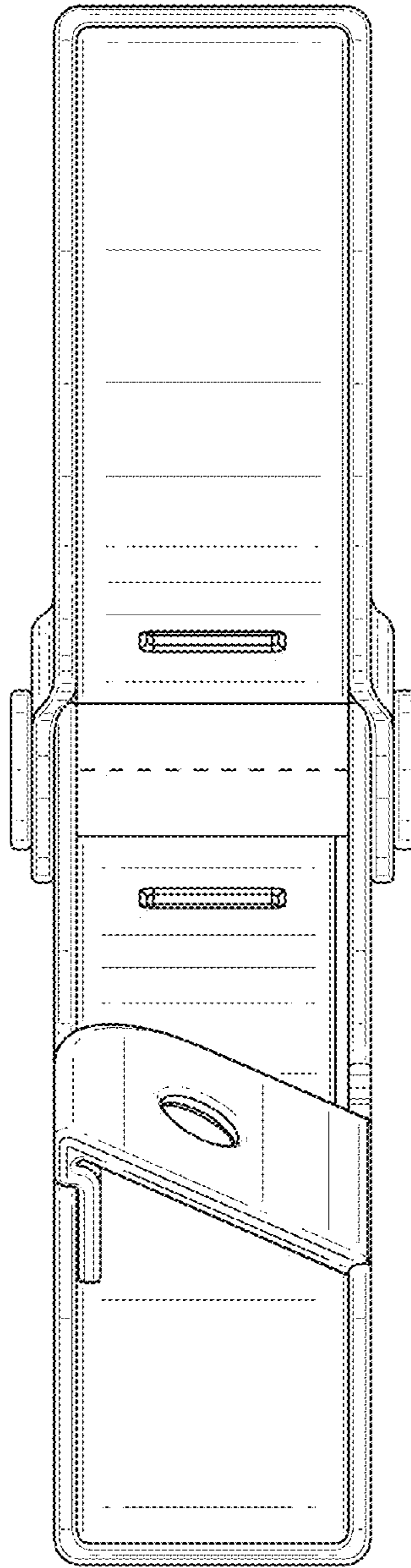
**FIG. 4**



**FIG. 5**



**FIG. 6**



**FIG. 7**