



US00D913932S

(12) **United States Design Patent**
Nook et al.

(10) **Patent No.: US D913,932 S**
(45) **Date of Patent: ** Mar. 23, 2021**

(54) **BATTERY CLAMP**
(71) Applicant: **THE NOCO COMPANY**, Glenwillow, OH (US)
(72) Inventors: **Jonathan Lewis Nook**, Gates Mills, OH (US); **William Knight Nook**, Shaker Heights, OH (US); **James Richard Stanfield**, Peoria, AZ (US); **Derek Michael Underhill**, Tempe, AZ (US)

D346,149 S * 4/1994 Deering D13/120
5,601,452 A * 2/1997 Ruffa H01R 11/24
439/504
6,871,387 B2 * 3/2005 Cheng H01R 11/24
24/499
D597,029 S * 7/2009 Li D13/120
7,959,476 B2 * 6/2011 Smith H01R 11/281
439/759
D649,116 S * 11/2011 Nakatsuka D13/120
9,923,289 B2 * 3/2018 Bertness H01R 11/24
D853,330 S * 7/2019 Dai D13/120

* cited by examiner

(73) Assignee: **THE NOCO COMPANY**, Glenwillow, OH (US)

Primary Examiner — Jennifer O King

(**) Term: **15 Years**

(74) *Attorney, Agent, or Firm* — Vorys, Sater, Seymour and Pease LLP; William L. Klima

(21) Appl. No.: **29/664,877**

(57) **CLAIM**

(22) Filed: **Sep. 28, 2018**

The ornamental design for a battery clamp, as shown and described.

(51) **LOC (13) Cl.** **13-02**

(52) **U.S. Cl.**
USPC **D13/120**

(58) **Field of Classification Search**
USPC D13/107, 110, 133, 148, 149, 154, 156,
D13/184, 199, 120; D8/72
CPC H01R 11/24; H01R 11/18; H01R 11/22;
H01R 11/281; H01R 13/2421
See application file for complete search history.

DESCRIPTION

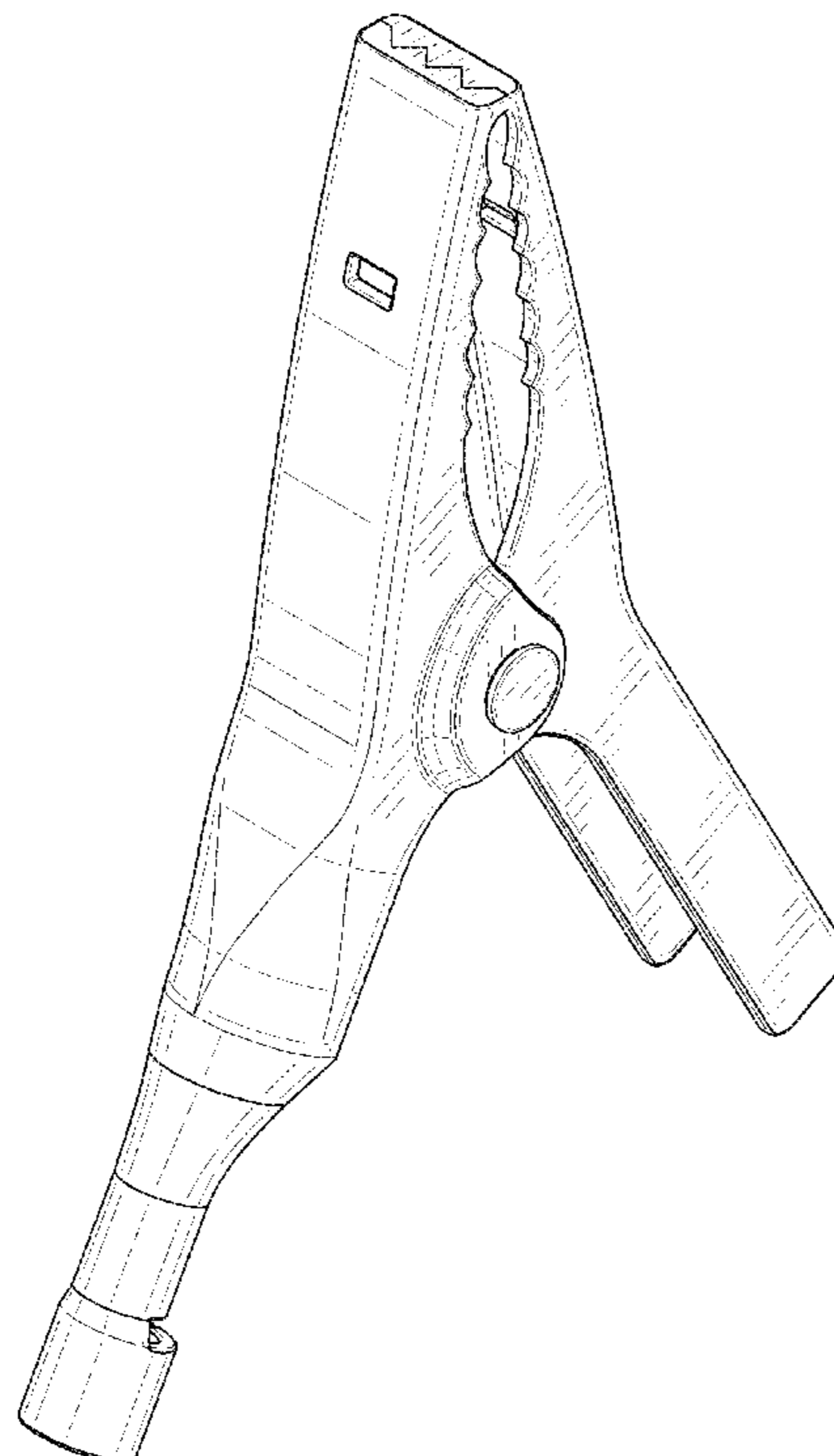
FIG. 1 is a front perspective view of a new design for a battery clamp;
FIG. 2 is a front elevational view thereof;
FIG. 3 is a rear elevational view thereof;
FIG. 4 is a left side elevational view thereof;
FIG. 5 is a right side elevational view thereof;
FIG. 6 is a top plan view thereof; and,
FIG. 7 is a bottom plan view thereof.
The broken lines shown represent portions of the battery clamp that form no part of the claimed design.

(56) **References Cited**

U.S. PATENT DOCUMENTS

3,571,701 A * 3/1971 Lai G01R 1/06788
324/510
4,620,767 A * 11/1986 Woolf H01R 11/24
439/217

1 Claim, 7 Drawing Sheets



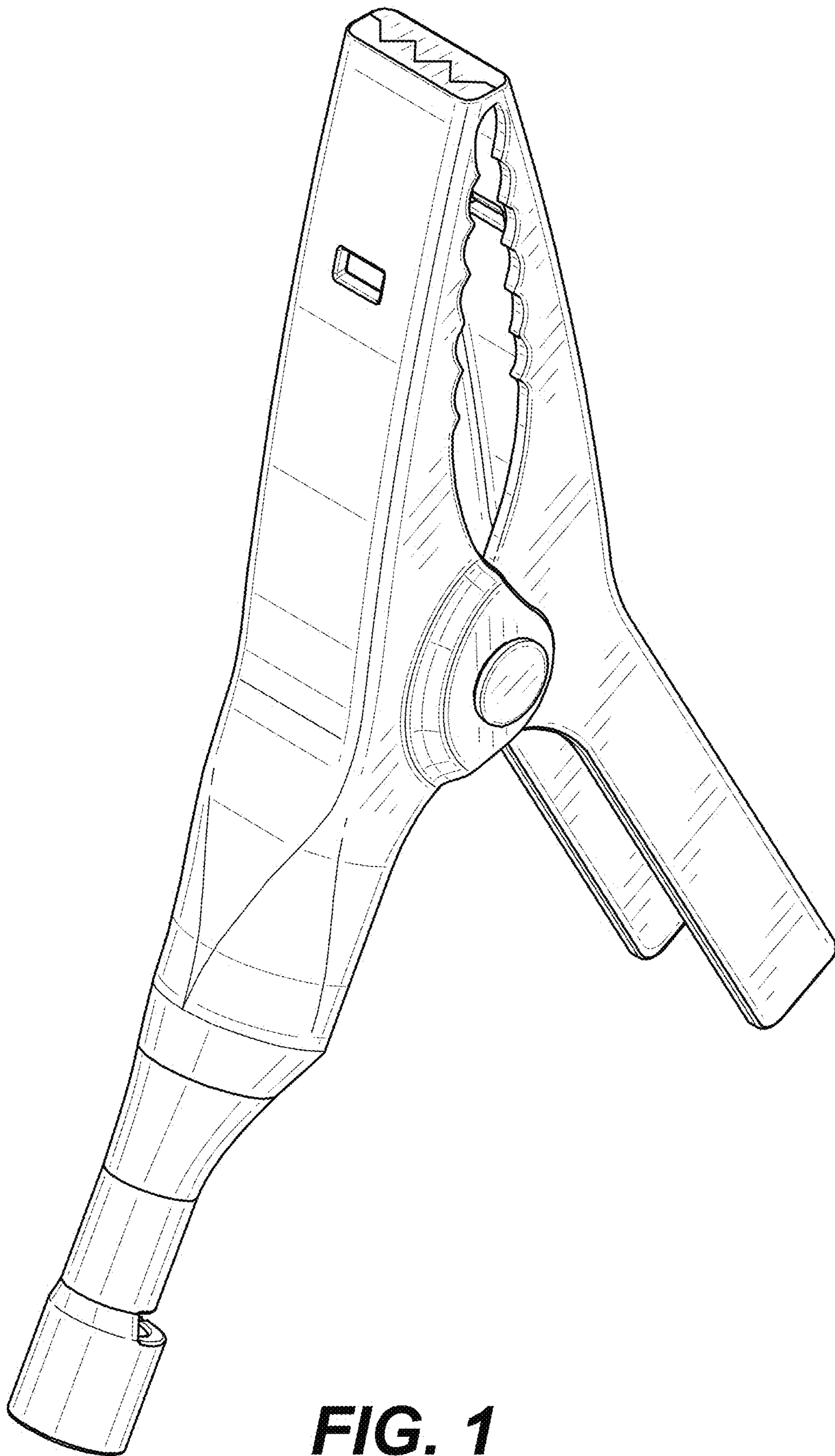


FIG. 1

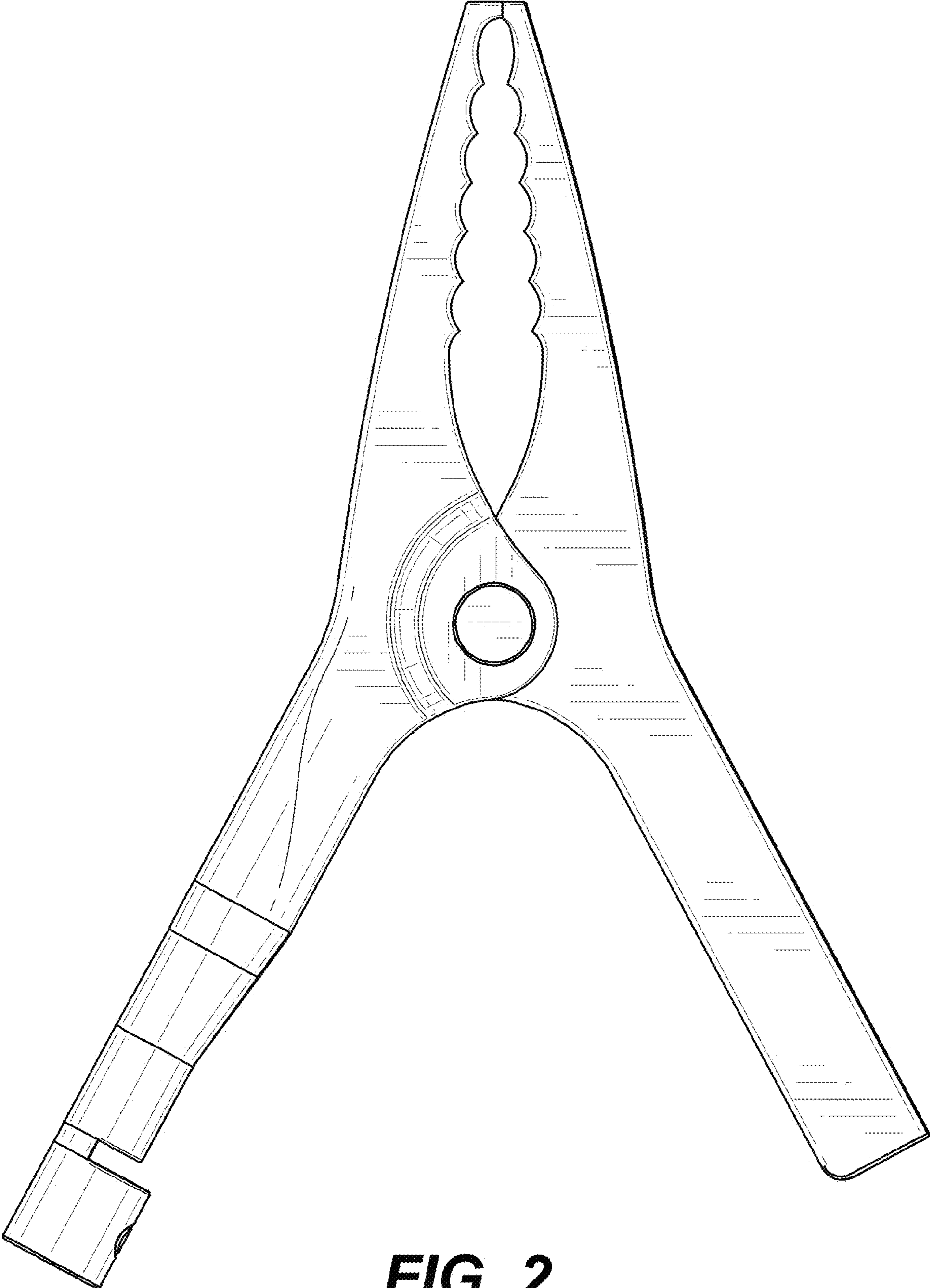


FIG. 2

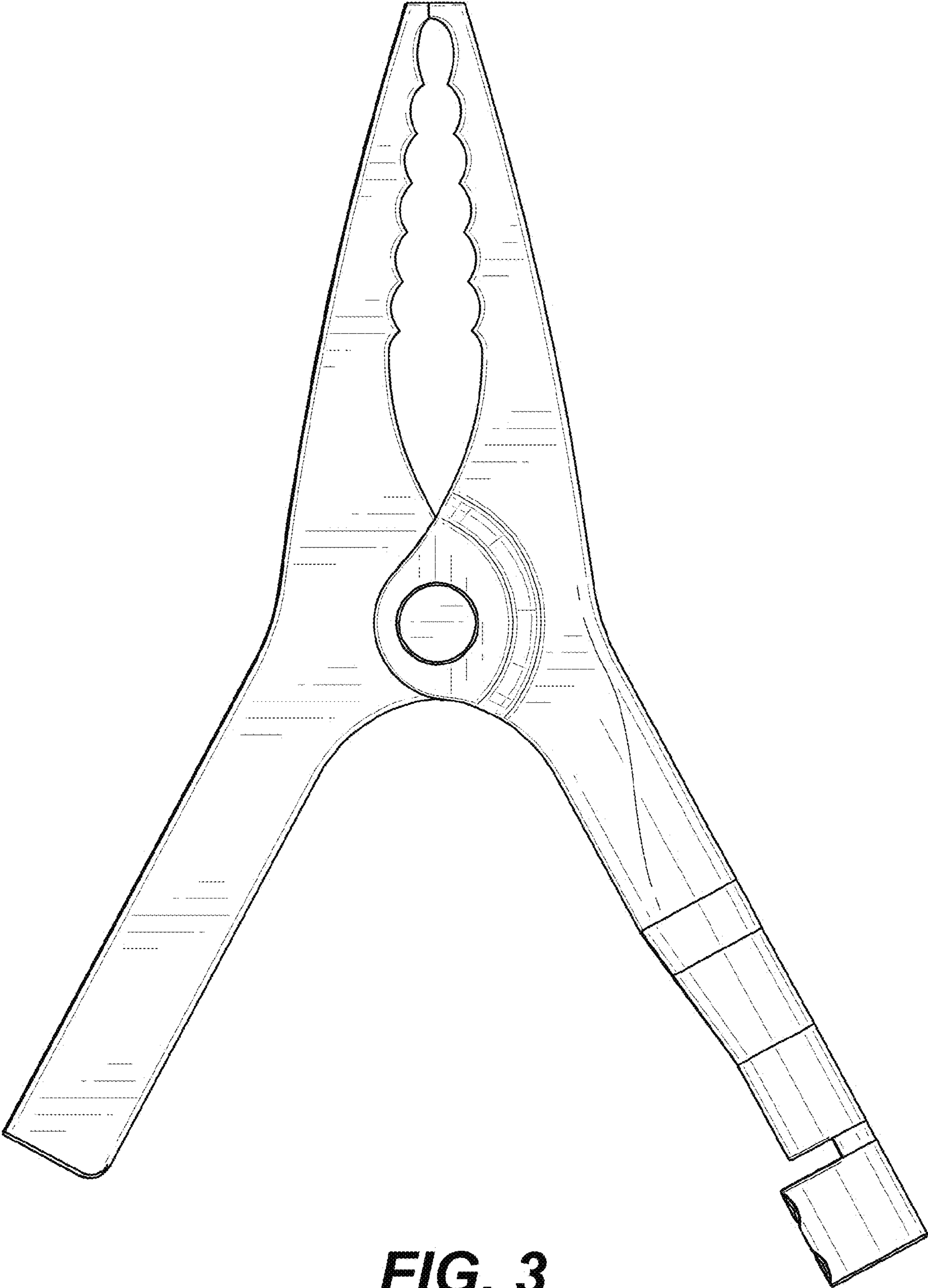


FIG. 3

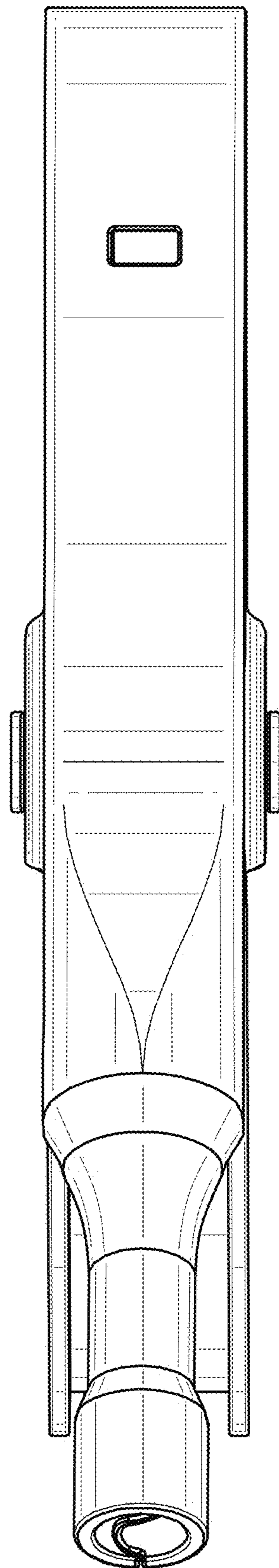


FIG. 4

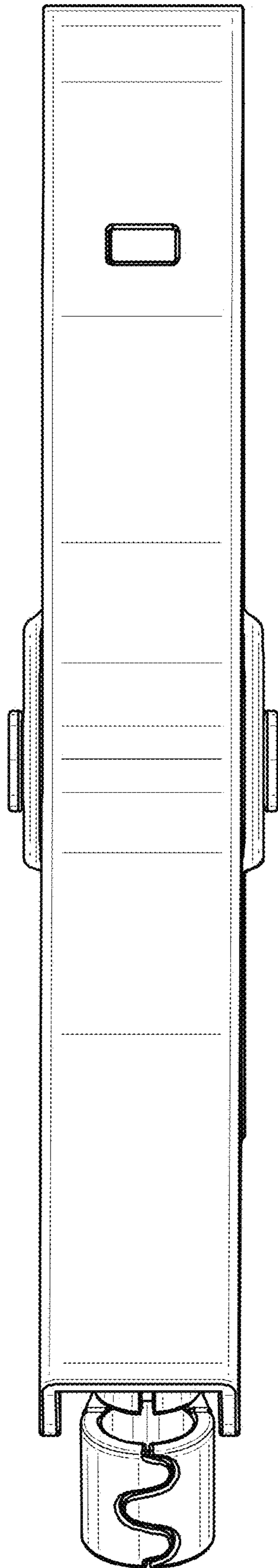


FIG. 5

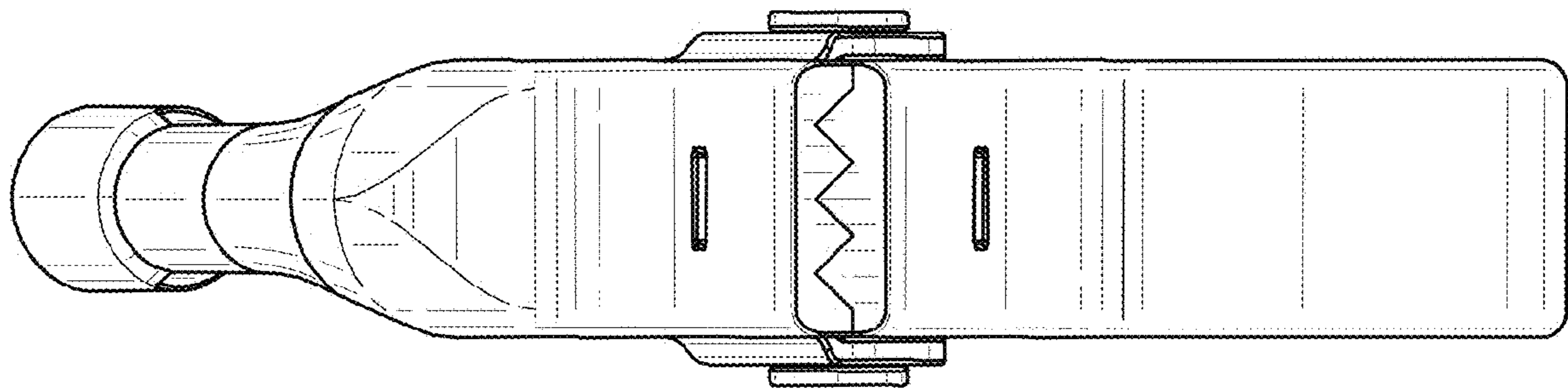


FIG. 6

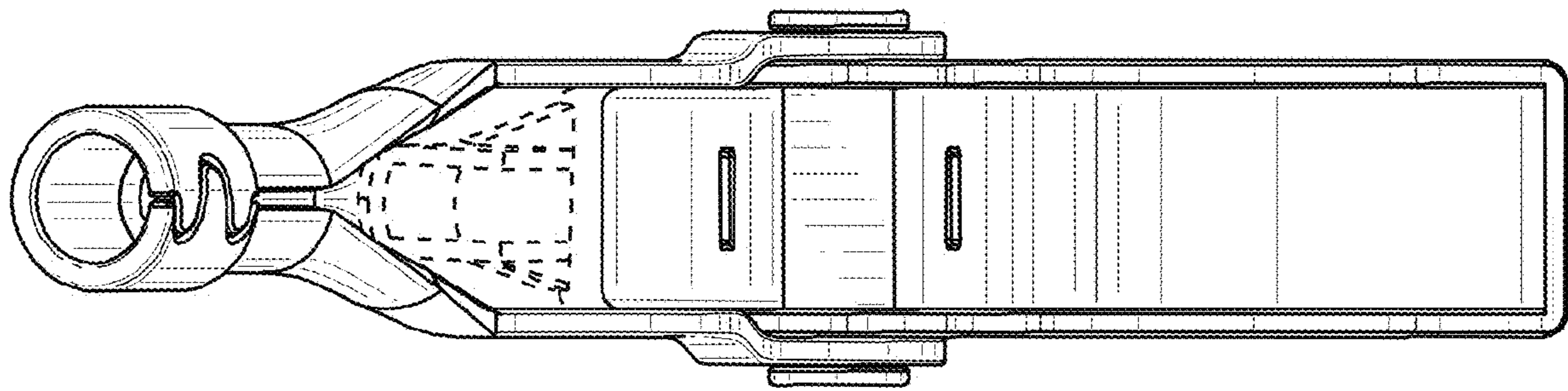


FIG. 7