



US00D913930S

(12) **United States Design Patent**  
**Mehra et al.**

(10) **Patent No.:** **US D913,930 S**  
(45) **Date of Patent:** **\*\* Mar. 23, 2021**

(54) **BATTERY COVER**

(71) Applicant: **HUSQVARNA AB**, Huskvarna (SE)

(72) Inventors: **Rajinder Mehra**, Johanneshov (SE);  
**Nilas Pleje**, Hägersten (SE)

(73) Assignee: **HUSQVARNA AB**, Huskvarna (SE)

(\*\*) Term: **15 Years**

(21) Appl. No.: **29/635,733**

(22) Filed: **Feb. 2, 2018**

(30) **Foreign Application Priority Data**

Aug. 4, 2017 (EM) ..... 004134526-0002

Aug. 4, 2017 (EM) ..... 004134526-0005

(51) **LOC (13) Cl.** ..... **13-02**

(52) **U.S. Cl.**  
USPC ..... **D13/120**

(58) **Field of Classification Search**  
USPC ..... D13/103-106, 110, 119-121, 184;  
D14/341; D26/37

CPC .... H01M 2/0202; H01M 2/1077; H01M 2/04;  
H01M 2/0404; H01M 2/06; H01M  
2/1016; H01M 2/1022

See application file for complete search history.

(56) **References Cited**

**U.S. PATENT DOCUMENTS**

D190,733 S \* 6/1961 Becker ..... D13/119  
D252,354 S \* 7/1979 Uyeda ..... D13/104  
D343,841 S 2/1994 Hon et al.  
D483,012 S 12/2003 Hsu  
D517,987 S \* 3/2006 Castagnola ..... D13/103  
D562,229 S \* 2/2008 Peters ..... D13/103  
D621,345 S 8/2010 Tinius  
D659,088 S \* 5/2012 Steinberg ..... D13/106  
D668,516 S \* 10/2012 Landberg ..... D8/8

D692,380 S \* 10/2013 Tirone ..... D13/119  
D698,312 S \* 1/2014 Miller ..... D13/119  
D714,721 S \* 10/2014 Zhang ..... D13/119  
D718,705 S \* 12/2014 Naksen ..... D13/103

(Continued)

**FOREIGN PATENT DOCUMENTS**

EP 001870882-0016 A1 5/2011  
EP 001870882-0010 A1 6/2011

(Continued)

**OTHER PUBLICATIONS**

Shindaiwa Industry Co., Ltd, once appeared on the website, HT2200S-600, retrieved from Internet URL: <http://www.shindaiwa.co.jp/product/trimmer/ht2200s/index.html>, pp. 4.

(Continued)

*Primary Examiner* — Jennifer O King

(74) *Attorney, Agent, or Firm* — Burr & Forman, LLP

(57) **CLAIM**

The ornamental design for the battery cover, as shown and described.

**DESCRIPTION**

FIG. 1 is a perspective view of a battery cover of the present invention;

FIG. 2 is a top view thereof;

FIG. 3 is a bottom view thereof;

FIG. 4 is a back view thereof;

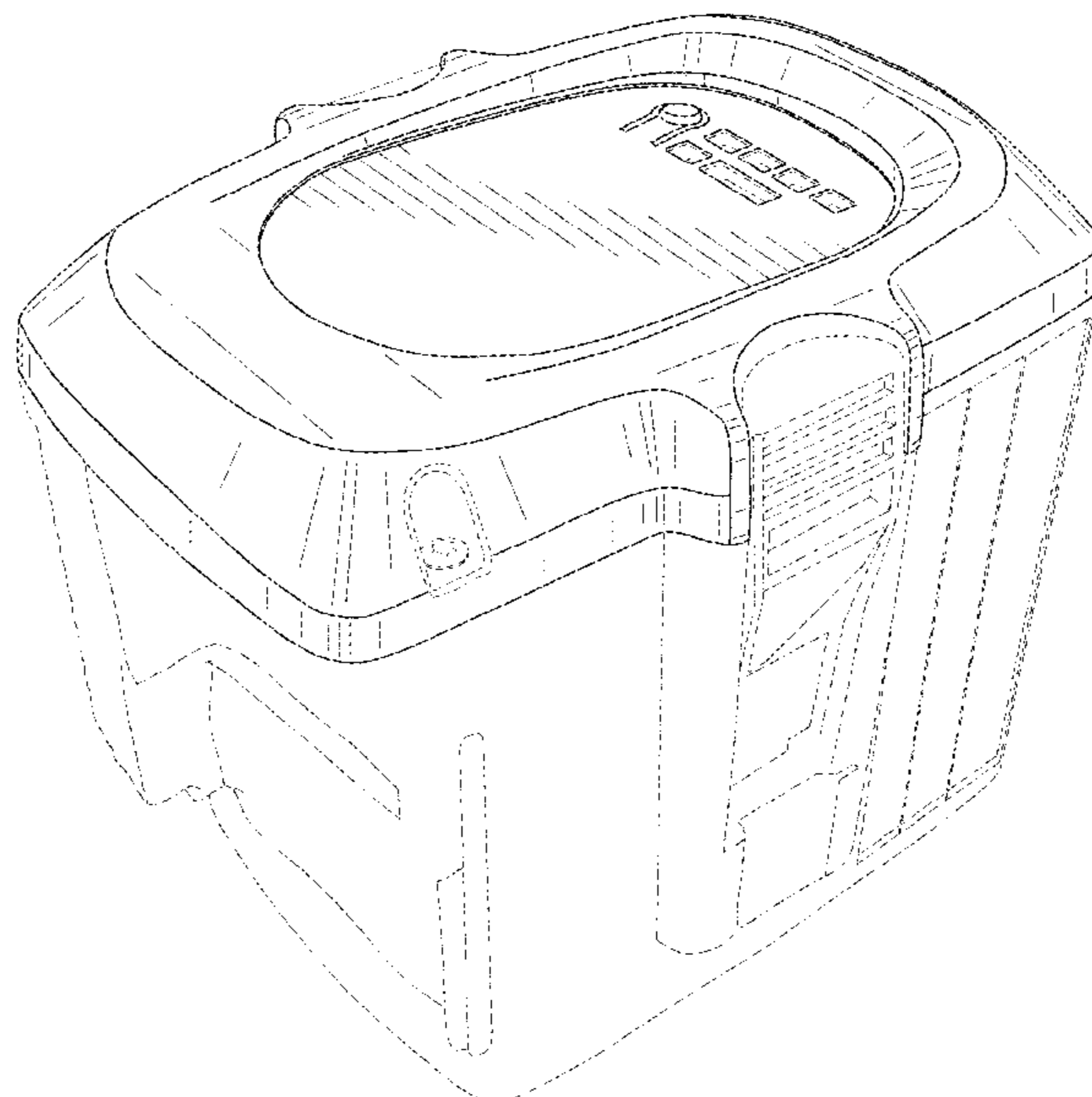
FIG. 5 is a front view thereof;

FIG. 6 is a right side view thereof; and,

FIG. 7 is a left side view thereof.

The broken lines shown on the battery cover represent portions of the battery cover that form no part of the claimed design. The remaining broken lines showing a battery represent environmental structure and forms no part of the claimed design.

**1 Claim, 7 Drawing Sheets**





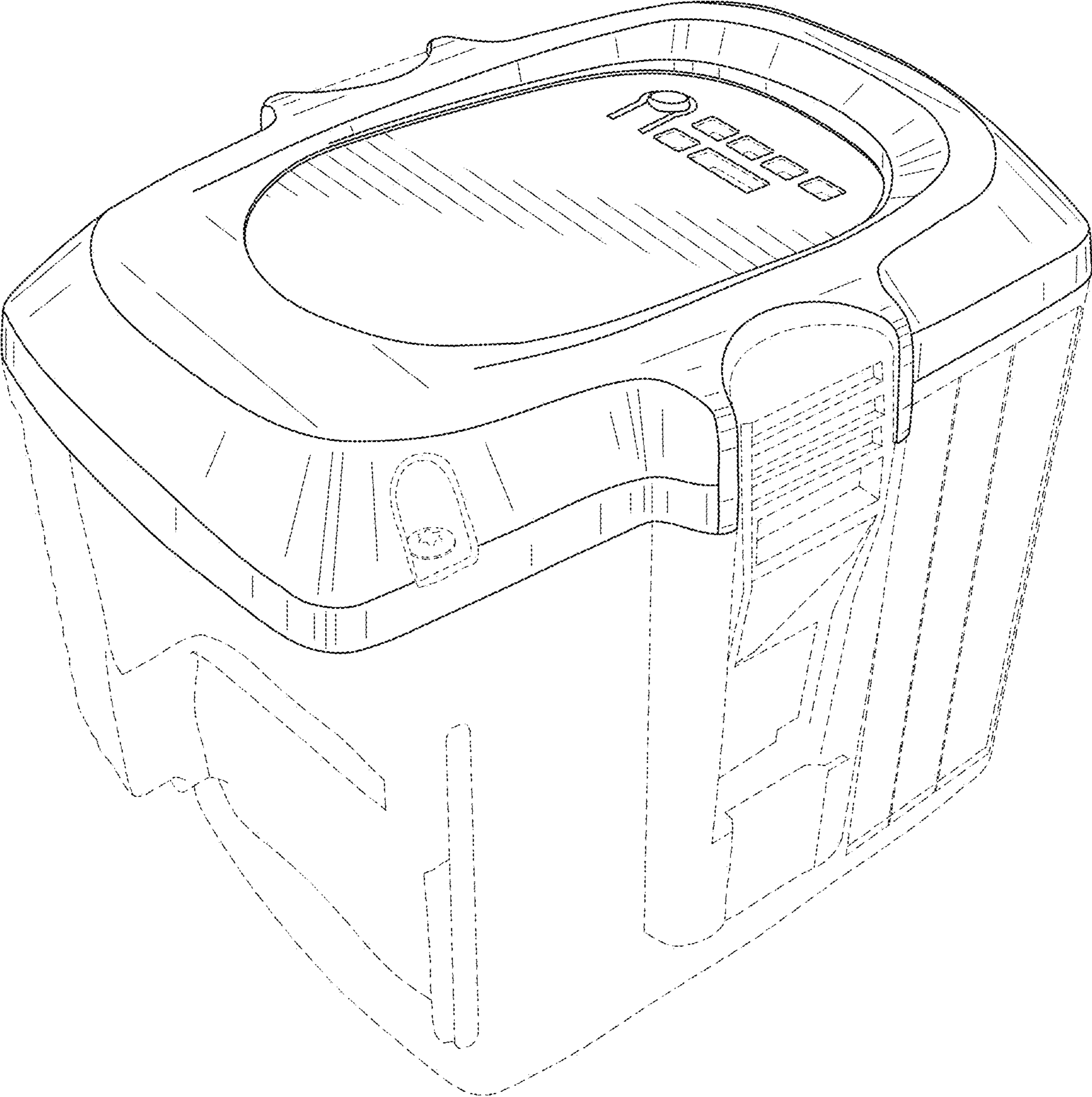


FIG. 1

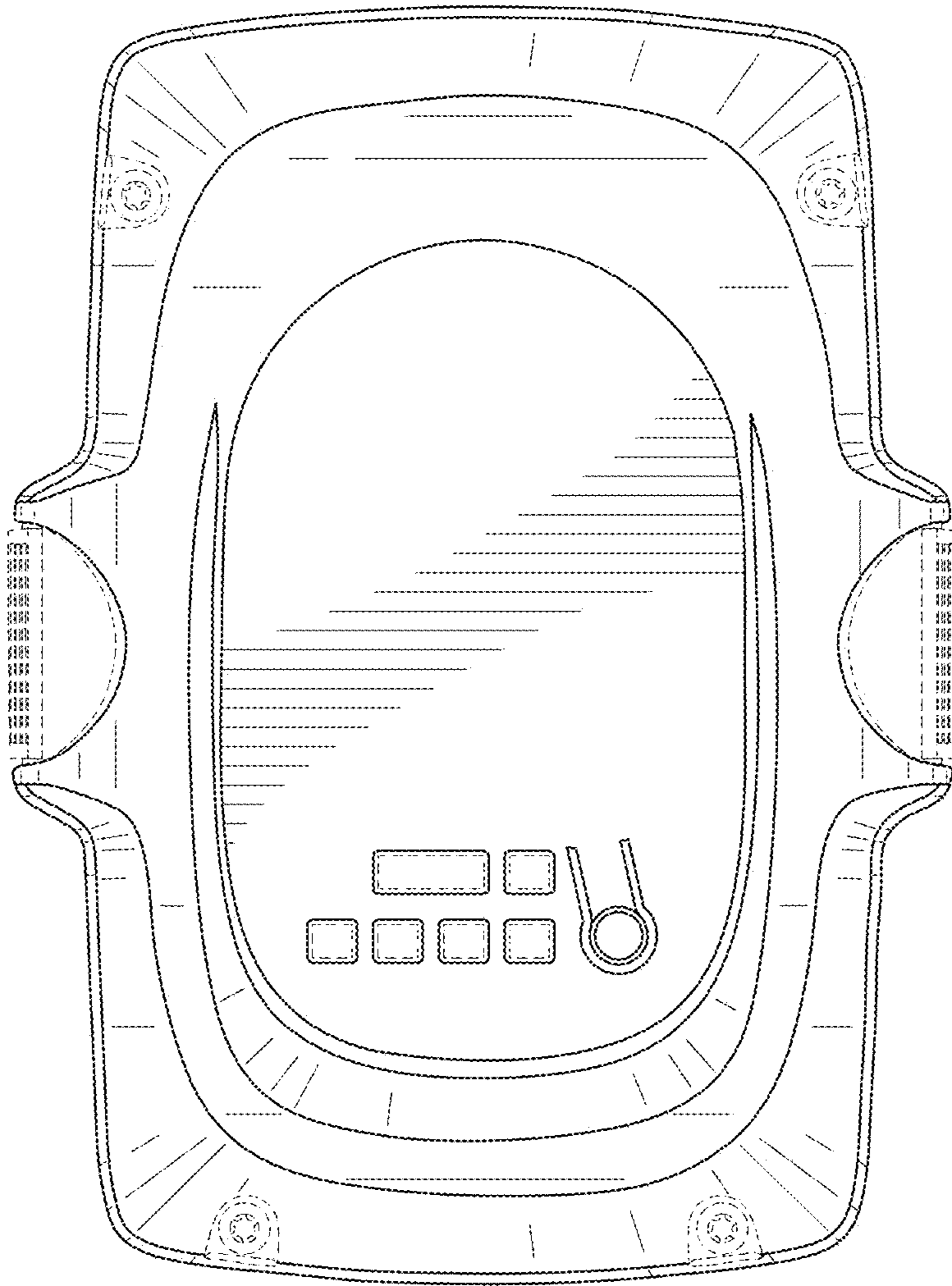


FIG. 2

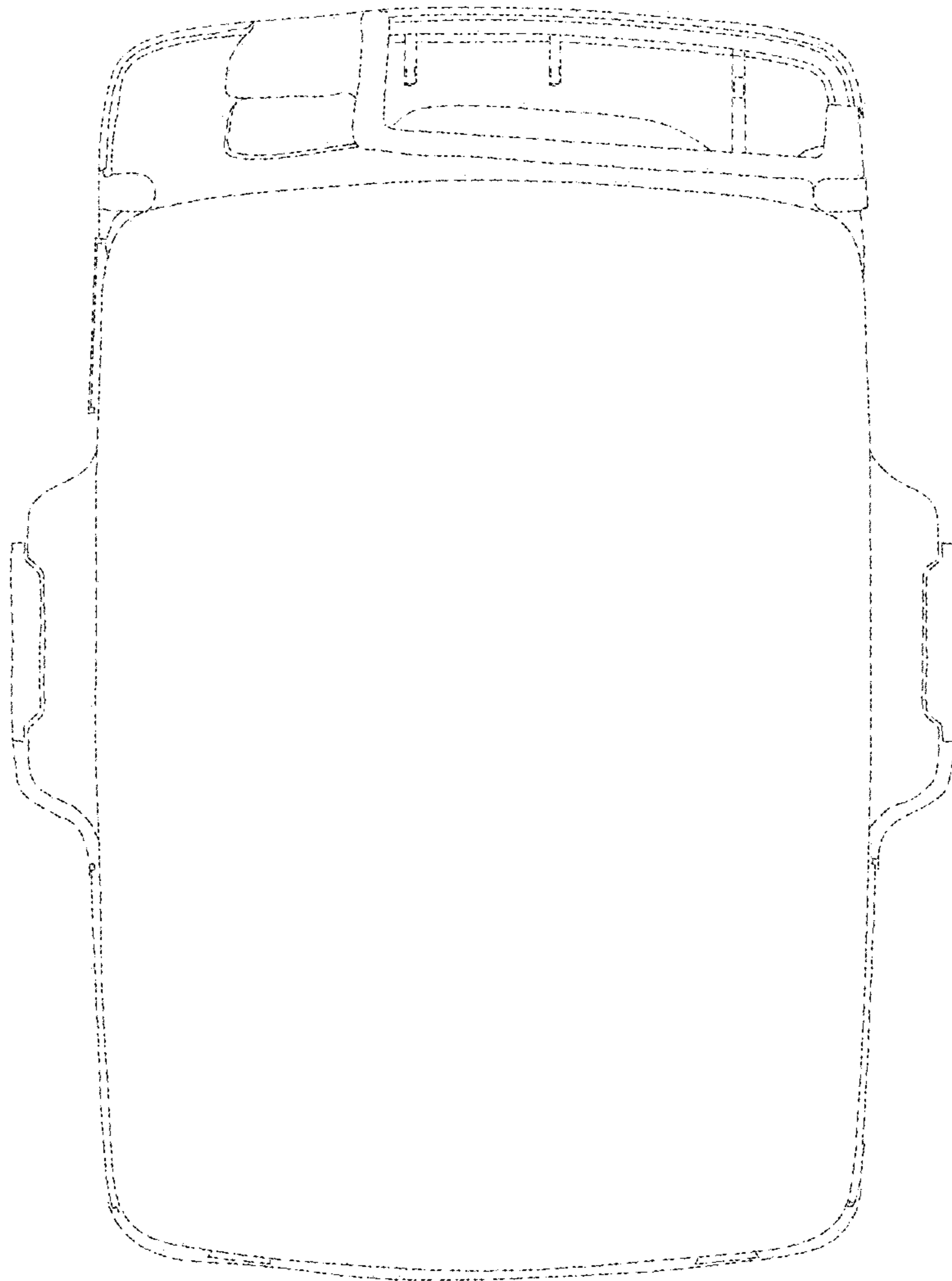


FIG. 3

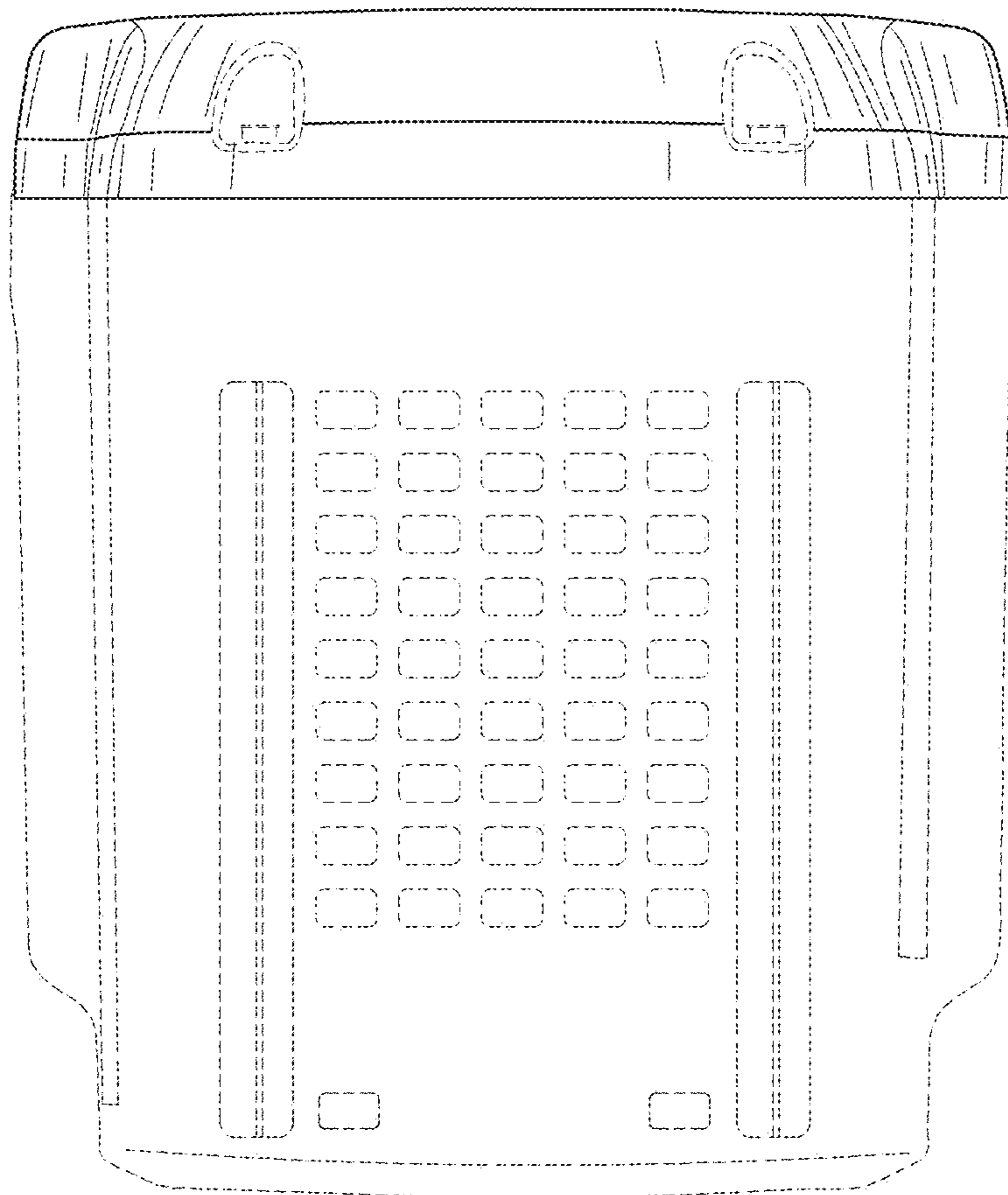


FIG. 4

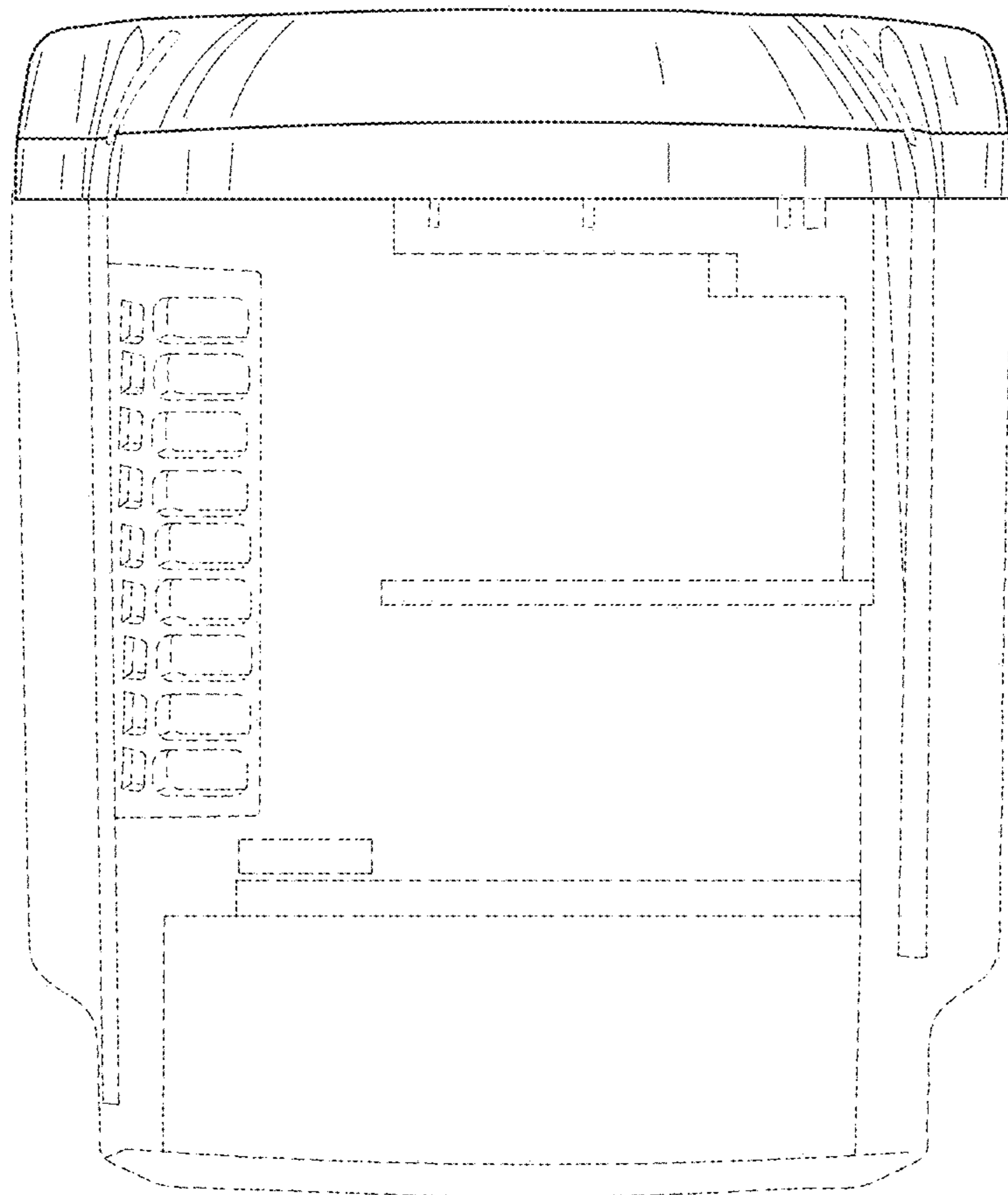


FIG. 5

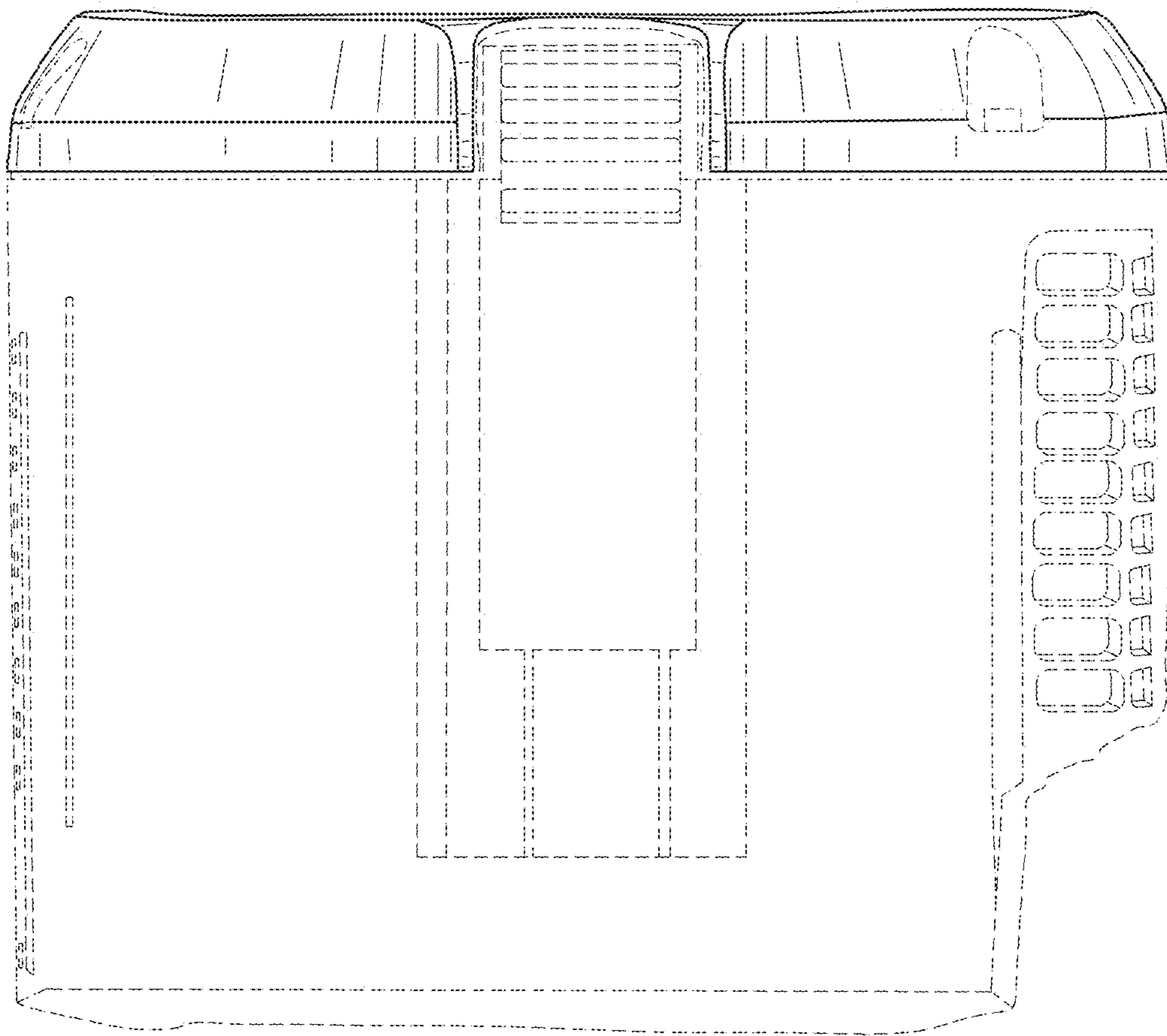


FIG. 6



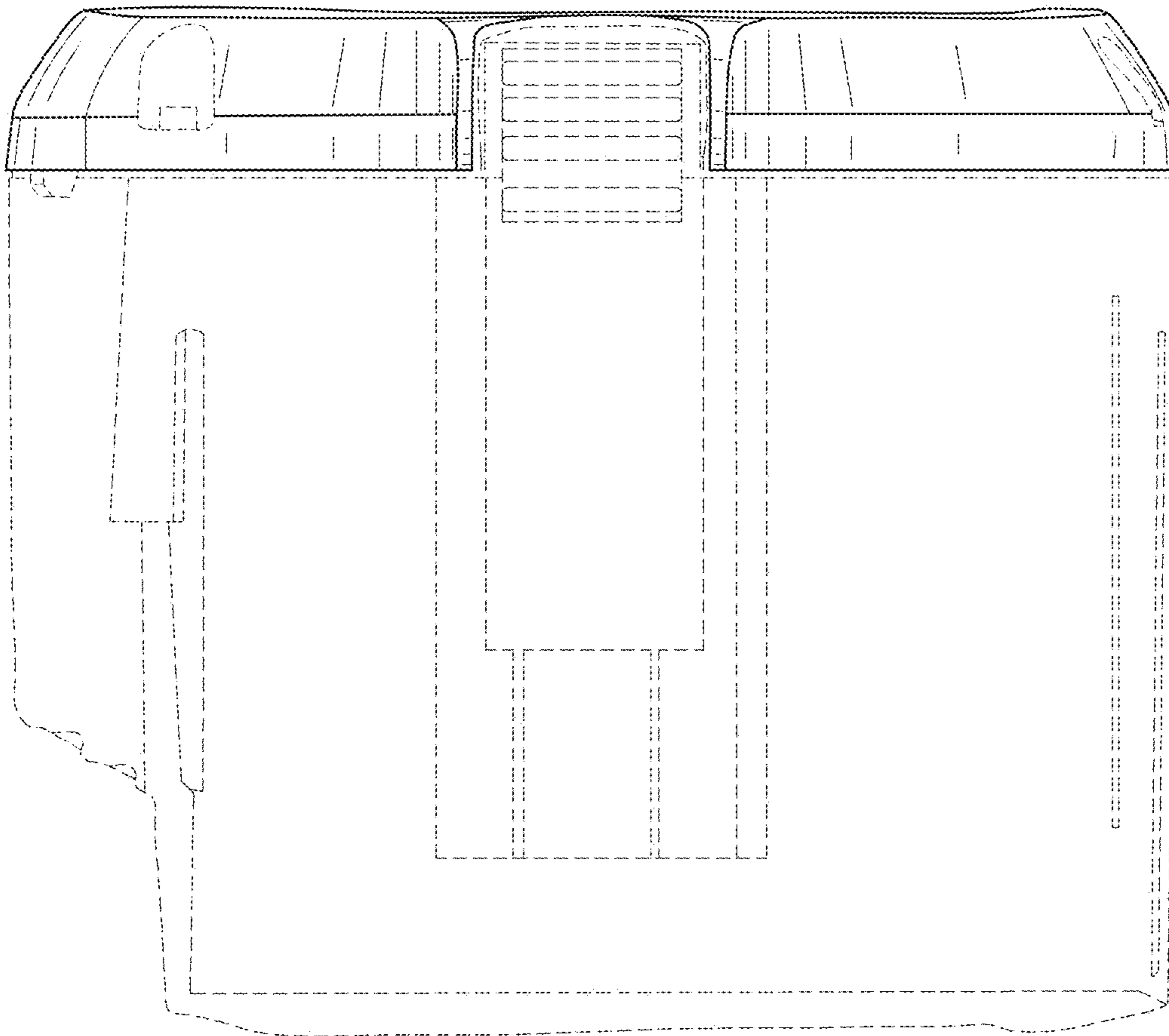


FIG. 7