



US00D913928S

(12) **United States Design Patent** (10) **Patent No.:** **US D913,928 S**
Nguyen et al. (45) **Date of Patent:** **** Mar. 23, 2021**

(54) **HANDLE AND LATCHING MECHANISM FOR A REMOVABLE BATTERY**

FOREIGN PATENT DOCUMENTS

(71) Applicant: **West Affum Holdings Corp.**, Grand Cayman (KY)

CN 106374068 A 2/2017
JP 2017037845 A 2/2017
RU 2179769 C2 2/2002

(72) Inventors: **Quan Hoang Nguyen**, Renton, WA (US); **Robert Reuben Buchanan**, Bothell, WA (US); **Dallas Eugene Meeker**, Kirkland, WA (US); **Daniel James Finney**, Woodinville, WA (US); **Sena Janky**, Sammamish, WA (US)

Primary Examiner — Jennifer O King
(74) *Attorney, Agent, or Firm* — Christensen O'Connor Johnson Kindness PLLC

(73) Assignee: **West Affum Holdings Corp.**, Grand Cayman (KY)

(57) **CLAIM**

(**) Term: **15 Years**

An ornamental design for a handle and latching mechanism for a removable battery, as shown and described.

(21) Appl. No.: **29/669,668**

(22) Filed: **Nov. 9, 2018**

DESCRIPTION

Related U.S. Application Data

(63) Continuation-in-part of application No. 16/186,368, filed on Nov. 9, 2018, now abandoned.

(51) **LOC (13) Cl.** **13-02**

(52) **U.S. Cl.**
USPC **D13/119**

(58) **Field of Classification Search**
USPC D13/103–106, 110, 119–121, 184;
D14/341; D26/37; D24/133
CPC H01M 2/0202; H01M 2/1077; H01M 2/04;
H01M 2/0404; H01M 2/06; H01M
2/1016; H01M 2/1022
See application file for complete search history.

FIG. 1 is a first perspective view of a handle and latching mechanism for a removable battery.
FIG. 2 is a front orthogonal view of a handle and latching mechanism for a removable battery.
FIG. 3 is a rear orthogonal view of a handle and latching mechanism for a removable battery.
FIG. 4 is a top orthogonal view of a handle and latching mechanism for a removable battery.
FIG. 5 is a bottom orthogonal view of a handle and latching mechanism for a removable battery.
FIG. 6 is a right orthogonal view of a handle and latching mechanism for a removable battery.
FIG. 7 is a left orthogonal view of a handle and latching mechanism for a removable battery.
FIG. 8 is a second perspective view of a handle and latching mechanism for a removable battery; and,
FIG. 9 is a third perspective view of a handle and latching mechanism for a removable battery having the Handle portion extended.

The broken lines shown represent portions of the device that form no part of the claimed design.

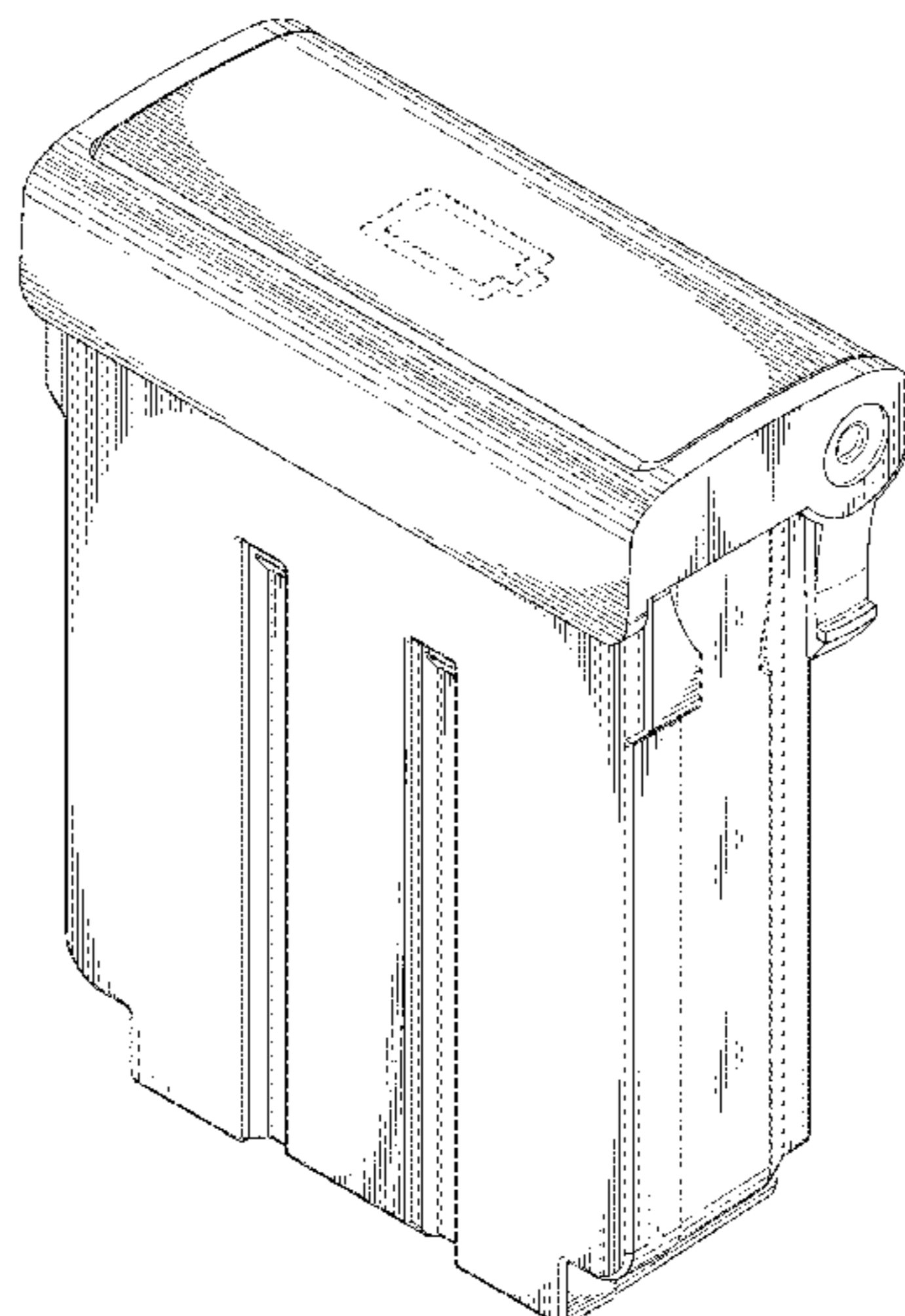
(56) **References Cited**

U.S. PATENT DOCUMENTS

D403,660 S * 1/1999 Poon D13/106
6,007,937 A * 12/1999 Ruiz Rodriguez B60L 50/64
429/94
D517,987 S * 3/2006 Castagnola D13/103
D647,051 S * 10/2011 Qualls D13/106

(Continued)

1 Claim, 7 Drawing Sheets



(56)

References Cited

U.S. PATENT DOCUMENTS

D692,380	S	*	10/2013	Tirone	D13/119
D693,294	S	*	11/2013	Inskeep	D13/107
D695,681	S	*	12/2013	Nam	D13/103
8,742,349	B2		6/2014	Urbon		
D742,307	S	*	11/2015	DeKeuster	D13/103
D755,715	S	*	5/2016	Inskeep	D13/107
D870,042	S	*	12/2019	Chen	D13/110
2017/0162840	A1		6/2017	Pendry		

* cited by examiner

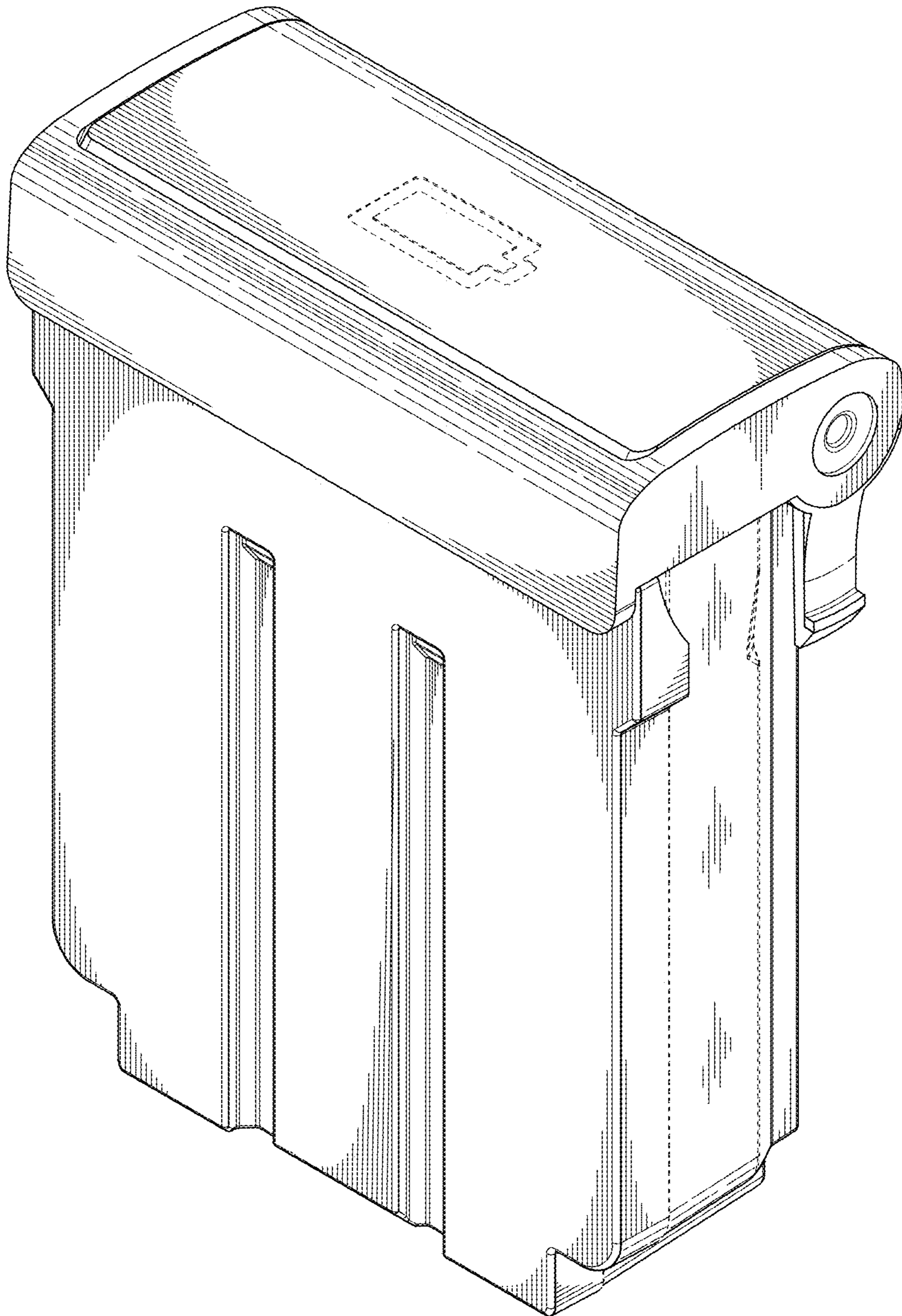


Fig. 1.

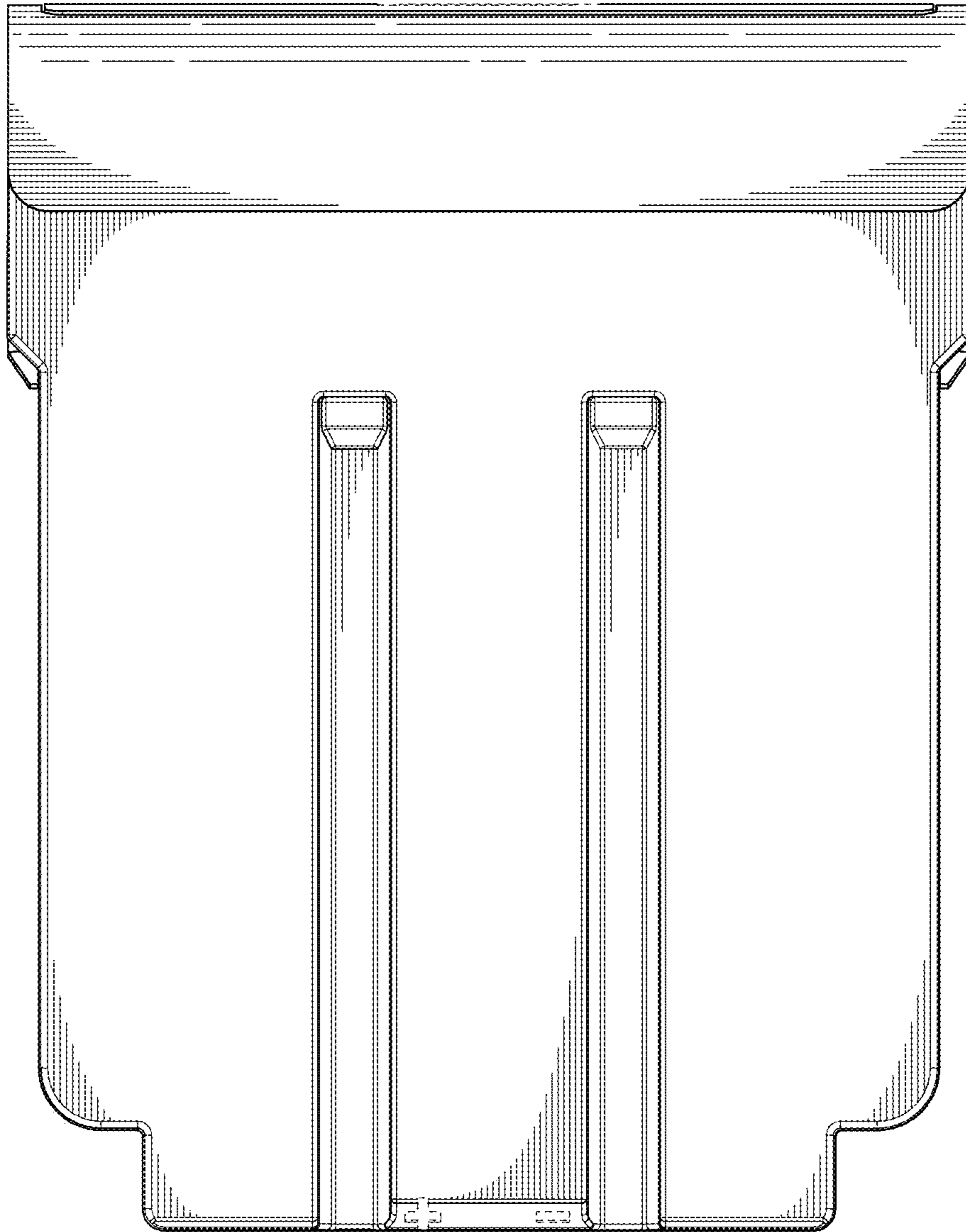


Fig. 2.

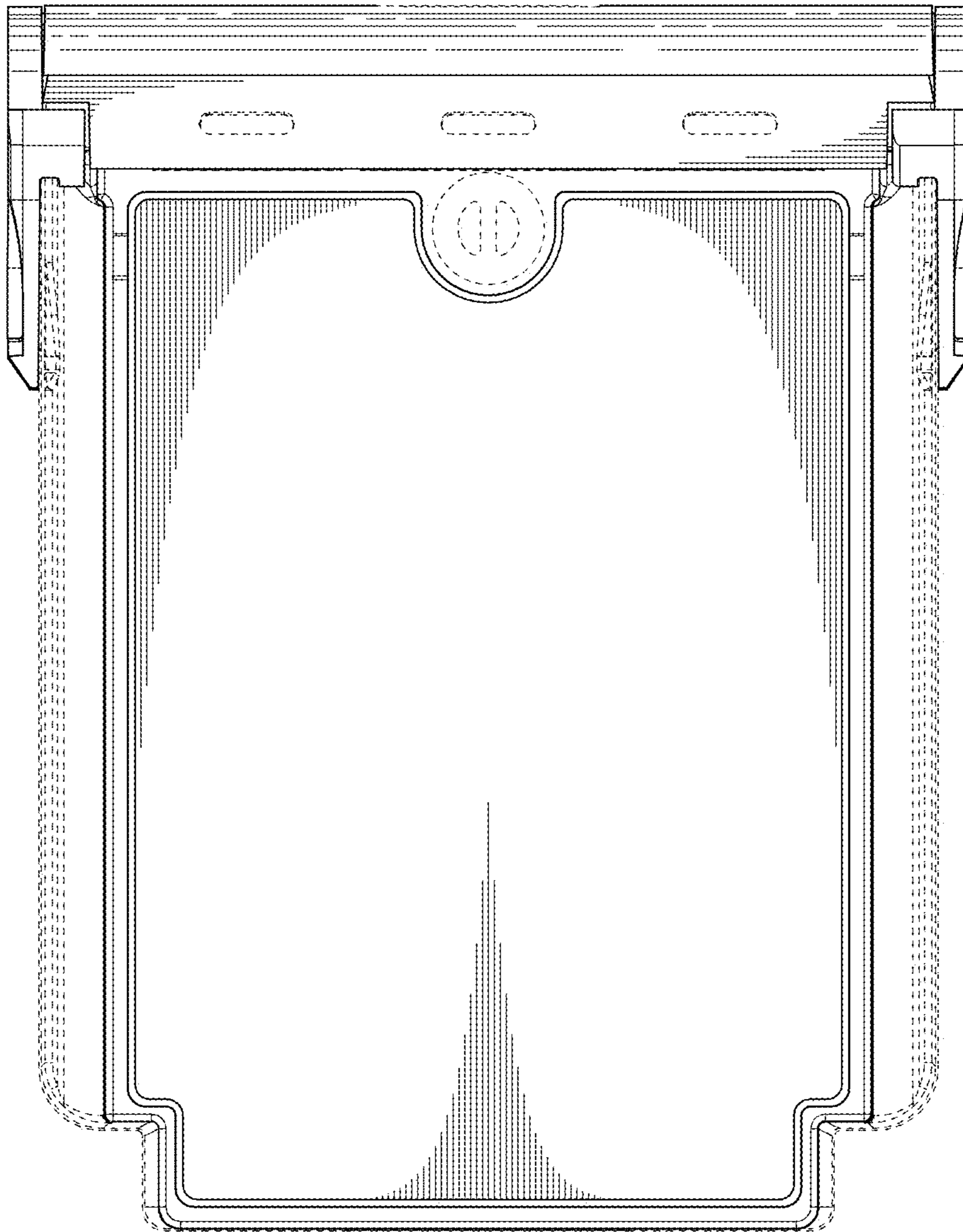


Fig. 3.

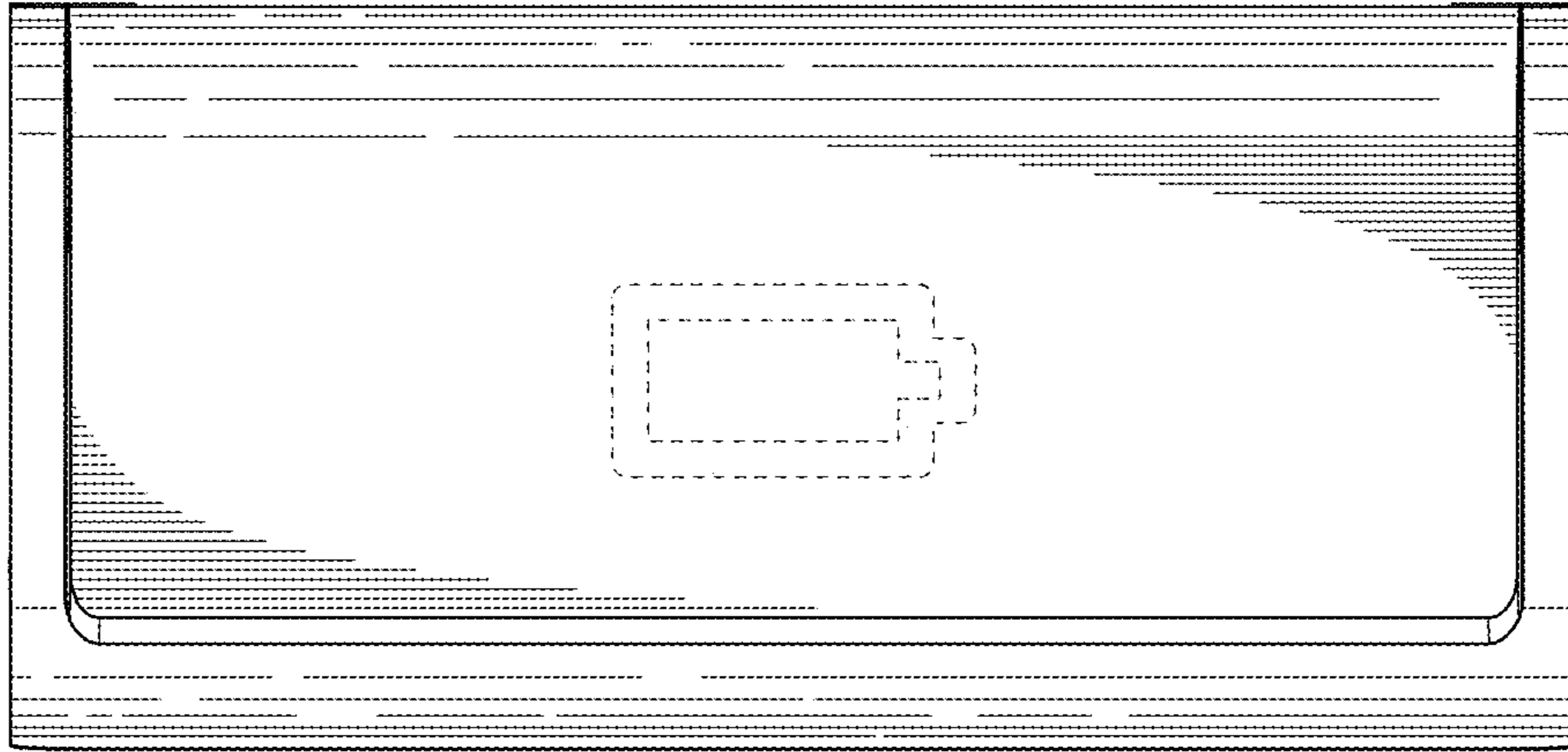


Fig. 4.

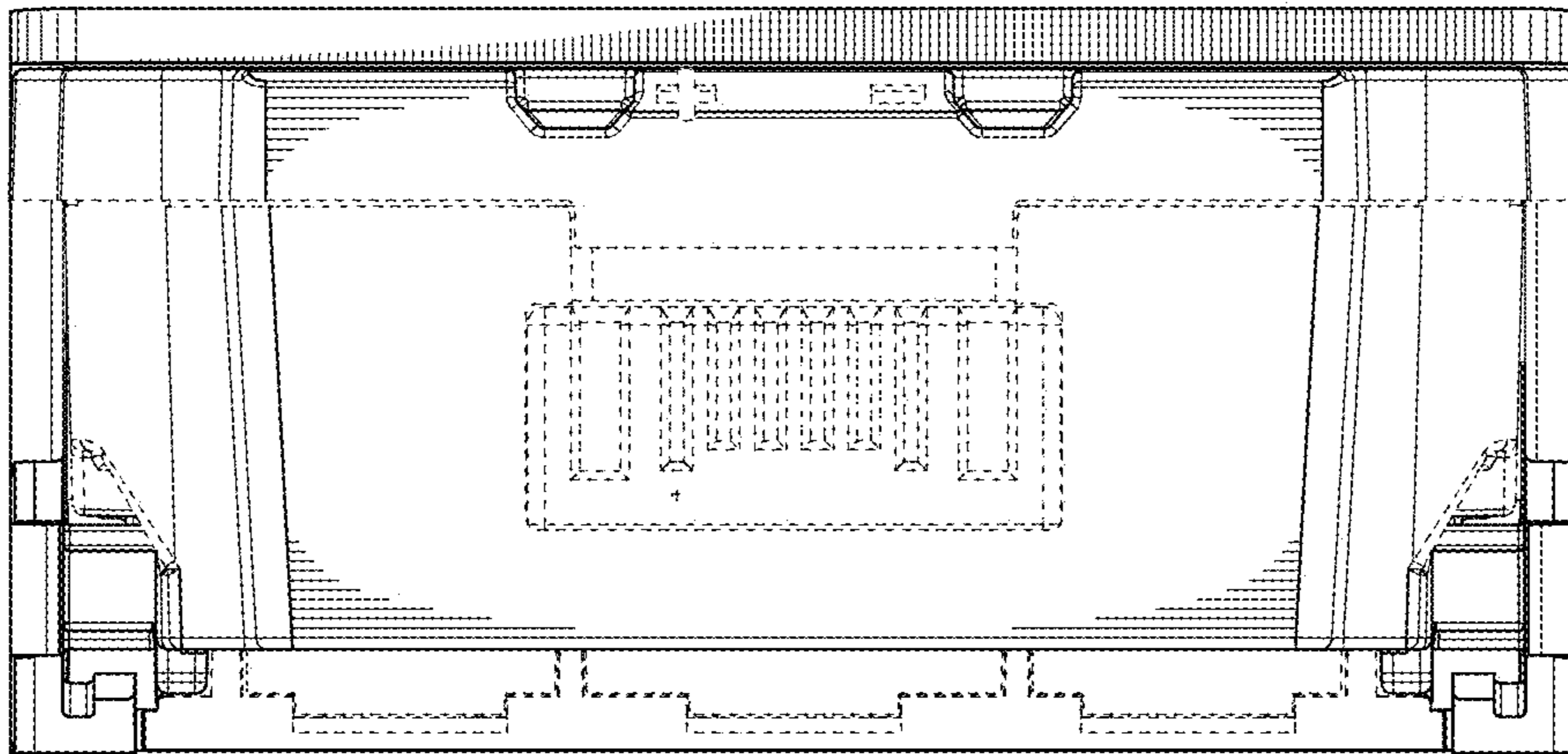


Fig. 5.

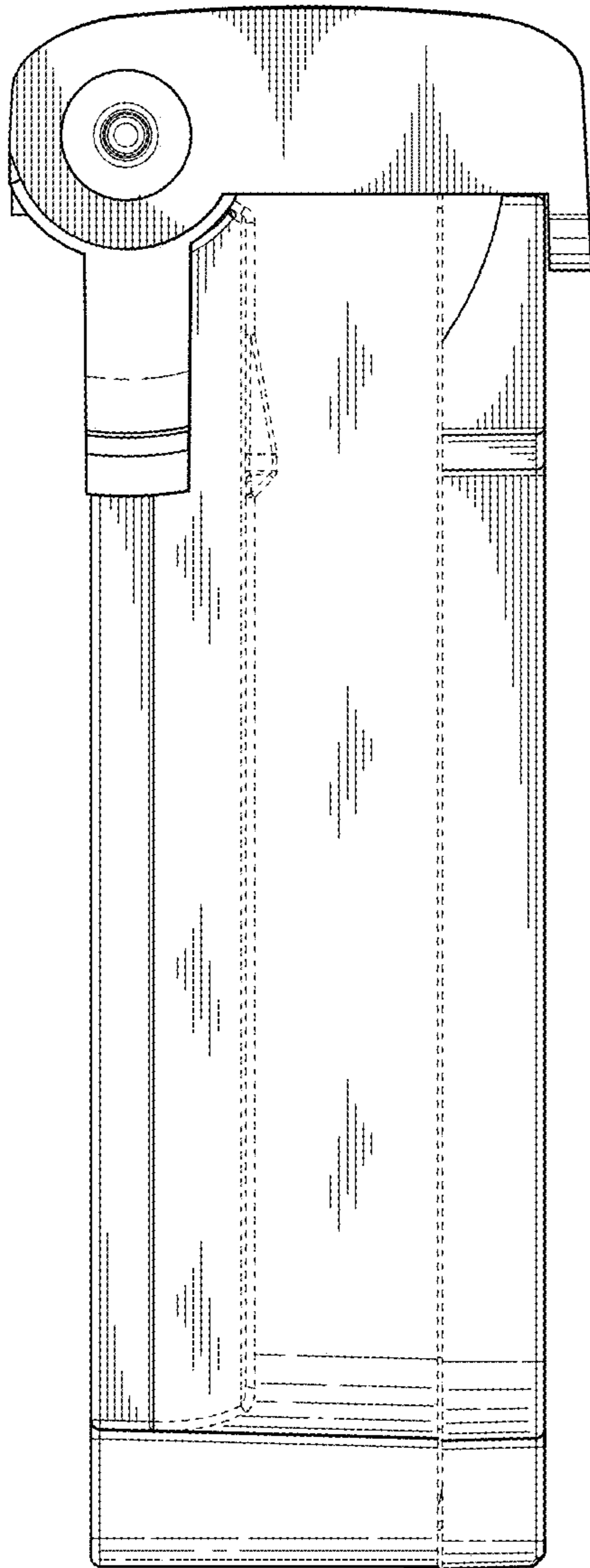


Fig. 6.

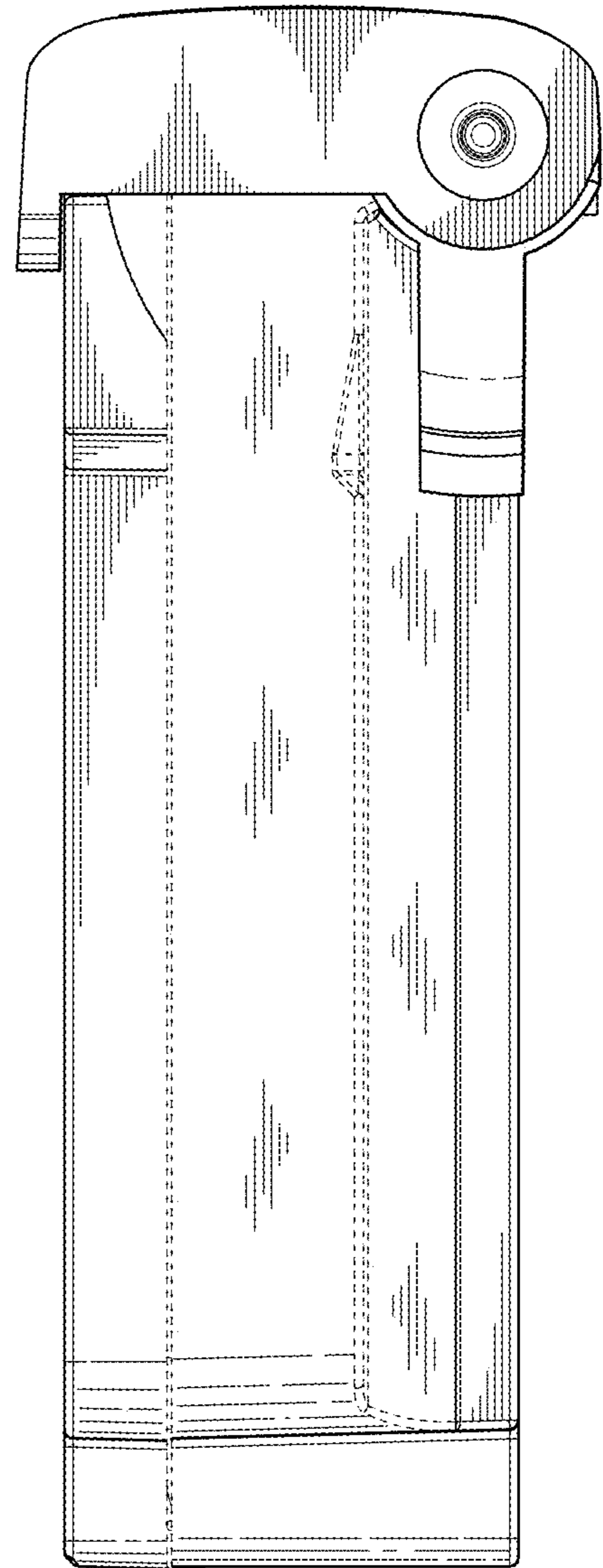


Fig. 7.

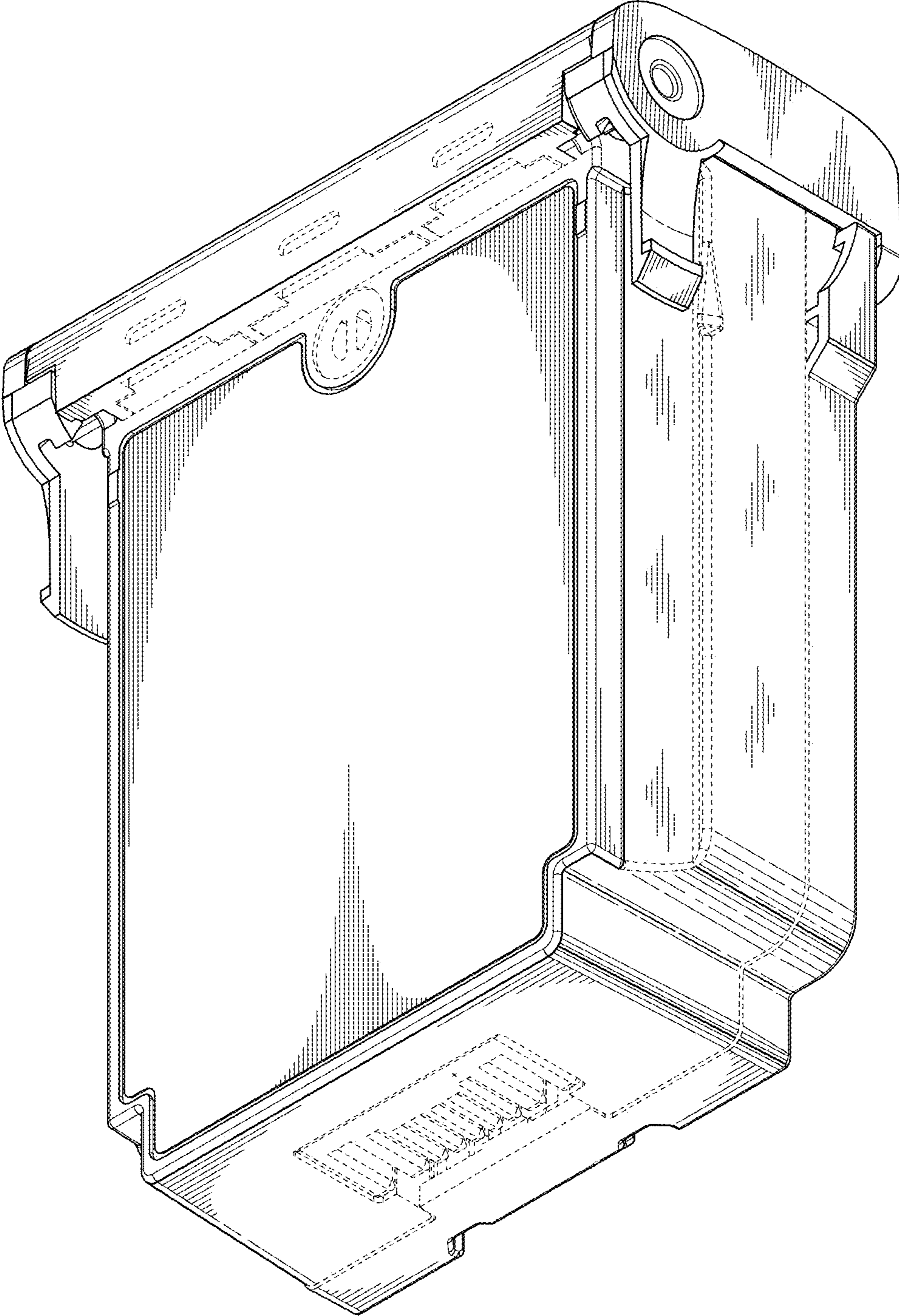


Fig. 8.

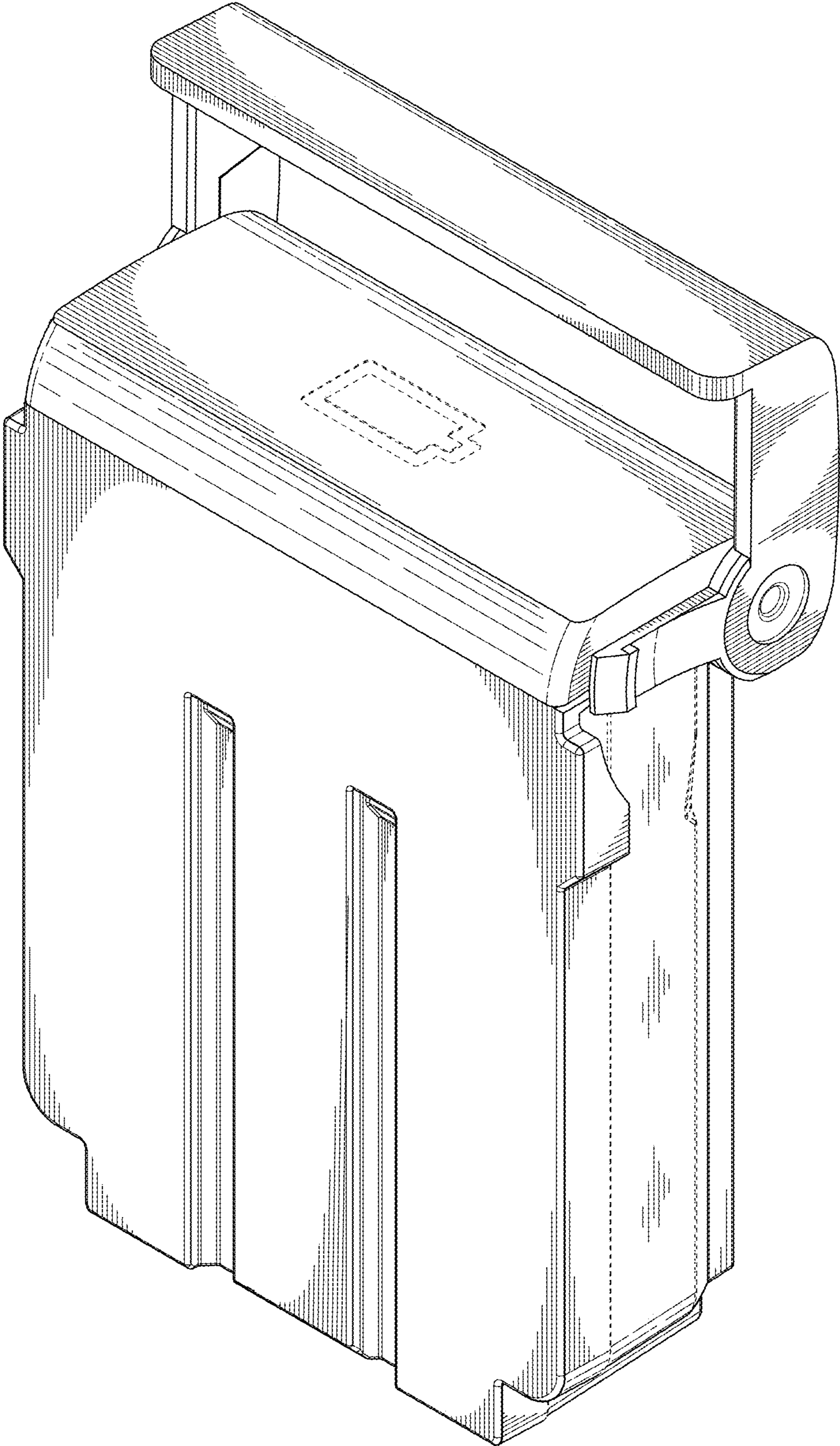


Fig. 9.

UNITED STATES PATENT AND TRADEMARK OFFICE
CERTIFICATE OF CORRECTION

PATENT NO. : D913,928 S
APPLICATION NO. : 29/669668
DATED : March 23, 2021
INVENTOR(S) : Nguyen et al.

Page 1 of 1

It is certified that error appears in the above-identified patent and that said Letters Patent is hereby corrected as shown below:

On the Title Page

	<u>Line</u>	
Under item (57), Description	16	“battery; and,” should read -- battery. --

Signed and Sealed this
Twenty-fourth Day of August, 2021



Drew Hirshfeld
*Performing the Functions and Duties of the
Under Secretary of Commerce for Intellectual Property and
Director of the United States Patent and Trademark Office*