



US00D913927S

(12) **United States Design Patent** (10) **Patent No.:** **US D913,927 S**  
**Tandon et al.** (45) **Date of Patent:** **\*\* Mar. 23, 2021**

(54) **BATTERY CARTRIDGE**

(56) **References Cited**

(71) Applicant: **ELECTRAMECCANICA VEHICLES CORP.**, Vancouver (CA)

U.S. PATENT DOCUMENTS

(72) Inventors: **Aayush Tandon**, Vancouver (CA); **Roei Ornai**, Vancouver (CA); **William Wright**, Vancouver (CA); **Ziran Yu**, Vancouver (CA); **Ahmed Ayoub**, Vancouver (CA); **Félix Daoust**, Sherbrooke (CA); **Bastien Mony**, Sherbrooke (CA); **Éric Ménard**, Sherbrooke (CA); **Bo Yang**, Chicago, IL (US); **Greg Albright**, Chicago, IL (US)

D427,146 S *	6/2000	Wei	.....	D13/110
D427,148 S *	6/2000	Wei	.....	D13/110
D427,969 S *	7/2000	Wei	.....	D13/110
D558,142 S *	12/2007	Cho	.....	D13/110
D571,719 S *	6/2008	Lee	.....	D13/103
D718,231 S *	11/2014	Burns	.....	D13/104
9,419,263 B2 *	8/2016	Nakamori	.....	H01M 2/206
D785,565 S *	5/2017	Xu	.....	D13/110
D817,876 S *	5/2018	Meng	.....	D13/110
D818,954 S *	5/2018	Lai	.....	D13/110

(73) Assignee: **ELECTRAMECCANICA VEHICLES CORP.**, Vancouver (CA)

\* cited by examiner

*Primary Examiner* — Jennifer O King  
(74) *Attorney, Agent, or Firm* — Davis Wright Tremaine LLP; Heather M. Colburn

(\*\*) Term: **15 Years**

(57) **CLAIM**

The ornamental design for a battery cartridge, as shown and described.

(21) Appl. No.: **29/650,033**

**DESCRIPTION**

(22) Filed: **Jun. 4, 2018**

FIG. 1 is a rear perspective view of a battery cartridge showing my new design.

(30) **Foreign Application Priority Data**

Dec. 5, 2017 (CA) ..... CA 178591

FIG. 2 is an enlarged perspective view of a front end of the battery cartridge of FIG. 1.

(51) **LOC (13) Cl.** ..... **13-02**

FIG. 3 is a top plan view of the battery cartridge of FIG. 1.

(52) **U.S. Cl.**  
USPC ..... **D13/119**

FIG. 4 is a bottom view of the battery cartridge of FIG. 1.

(58) **Field of Classification Search**  
USPC ..... D13/103–110, 118–121, 184, 199;  
D12/126, 114

FIG. 5 is a right side view of the battery cartridge of FIG. 1.

CPC ..... H01M 2/10; H01M 2/20; H01M 10/0525  
See application file for complete search history.

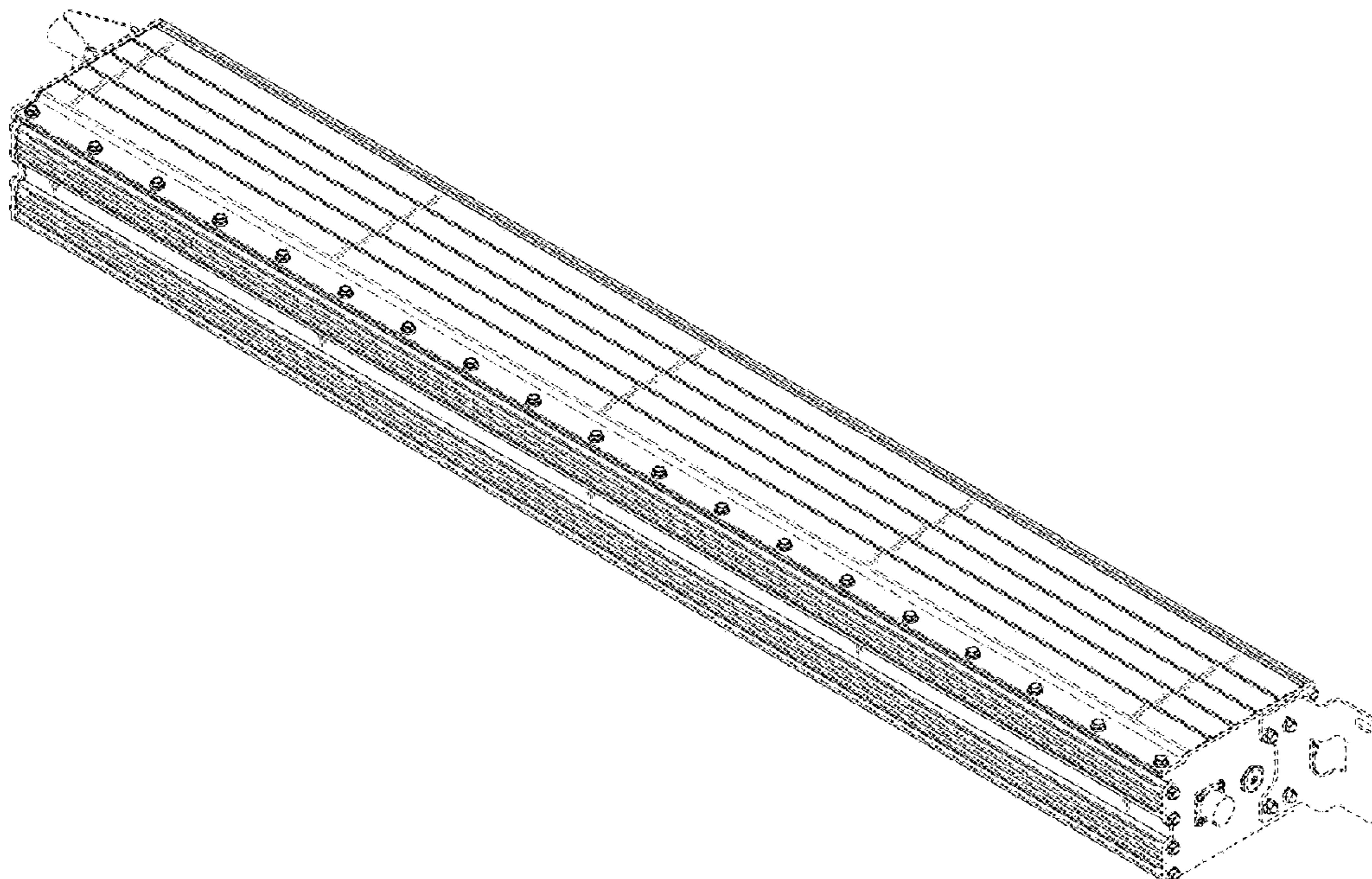
FIG. 6 is a left side view of the battery cartridge of FIG. 1.

FIG. 7 is a front view of the battery cartridge of FIG. 1; and,

FIG. 8 is a rear view of the battery cartridge of FIG. 1.

The broken lines represent portions of the battery cartridge that form no part of the claim.

**1 Claim, 7 Drawing Sheets**



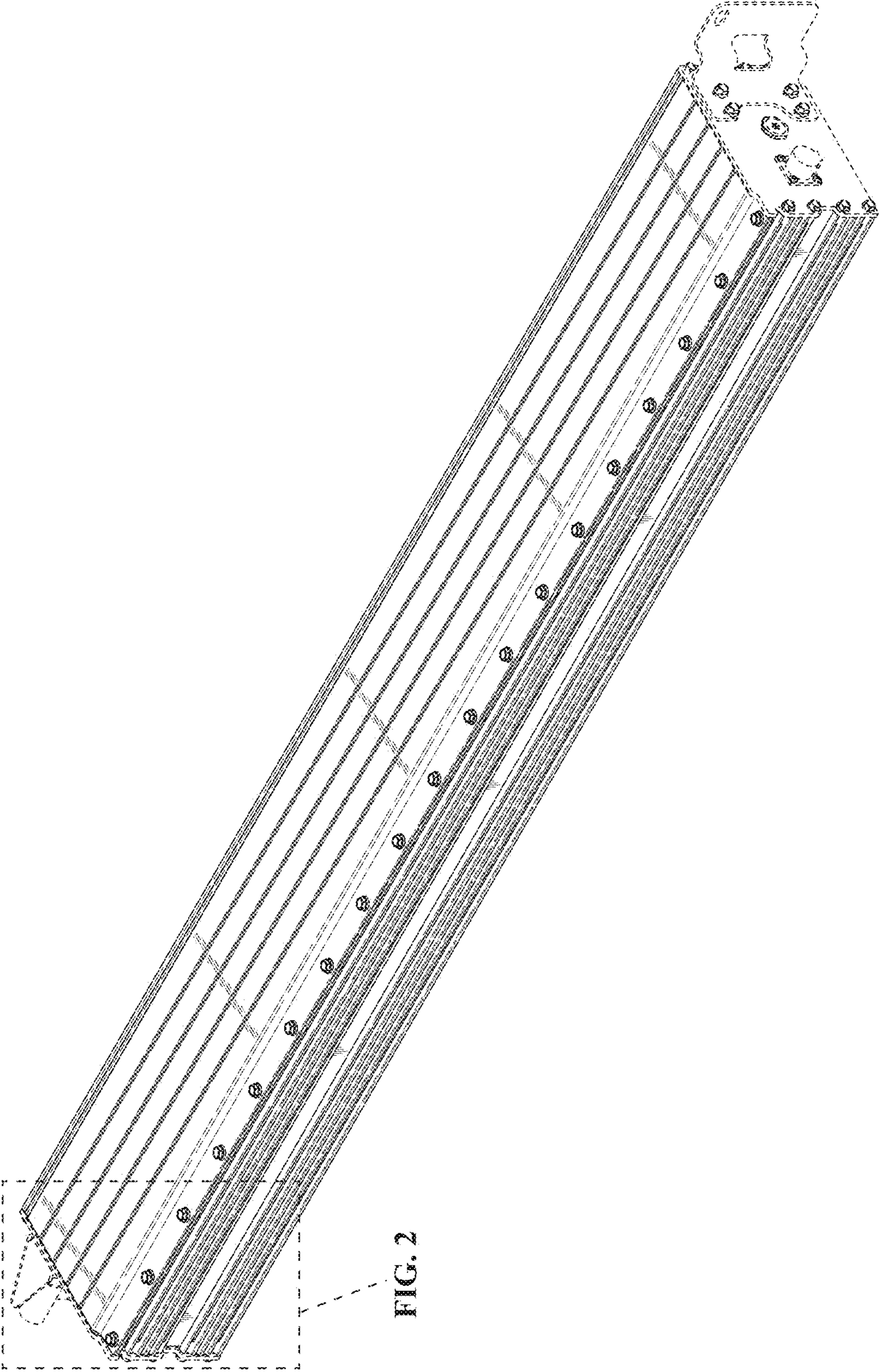


FIG. 1

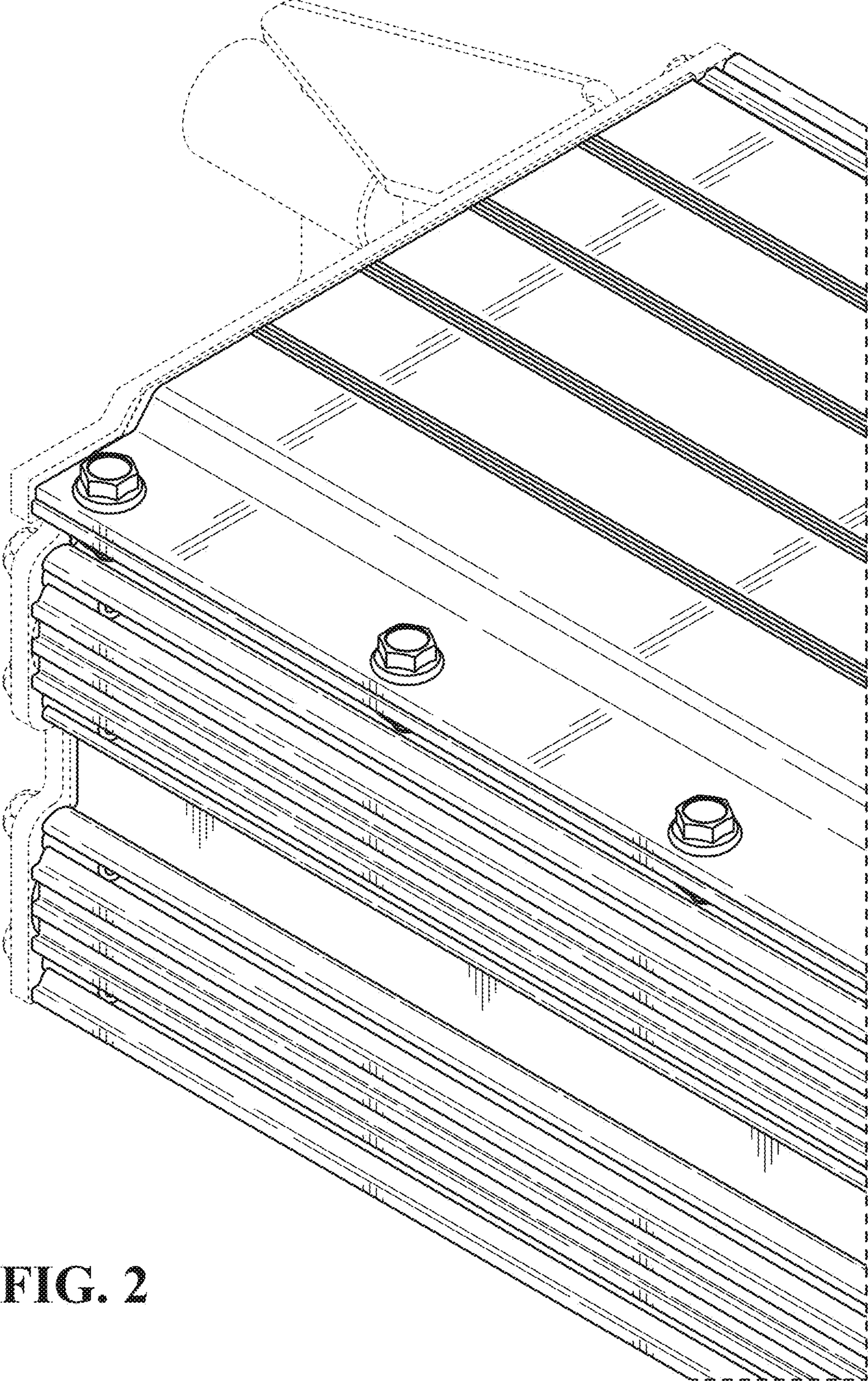
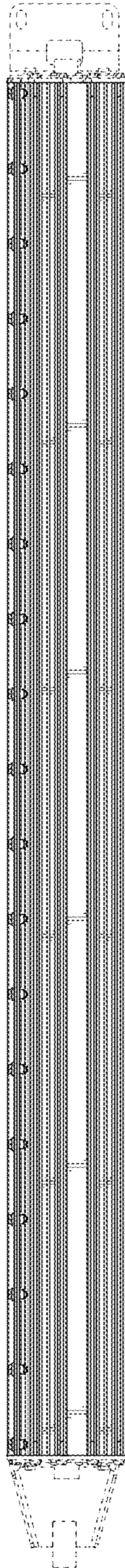


FIG. 2



**FIG. 3**

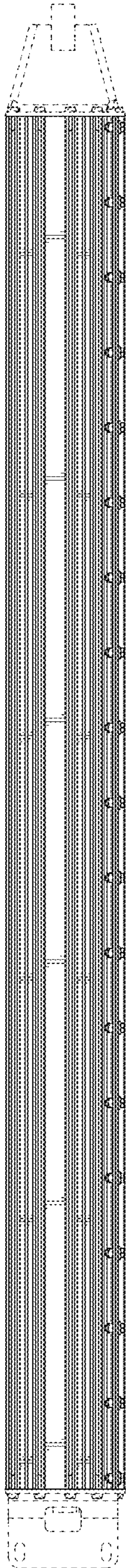


FIG. 4

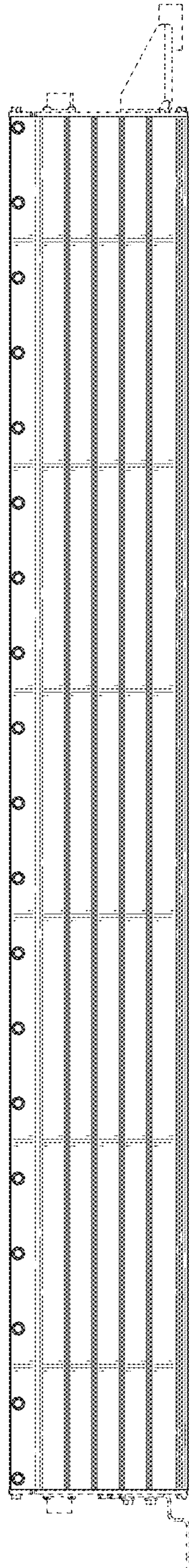


FIG. 5

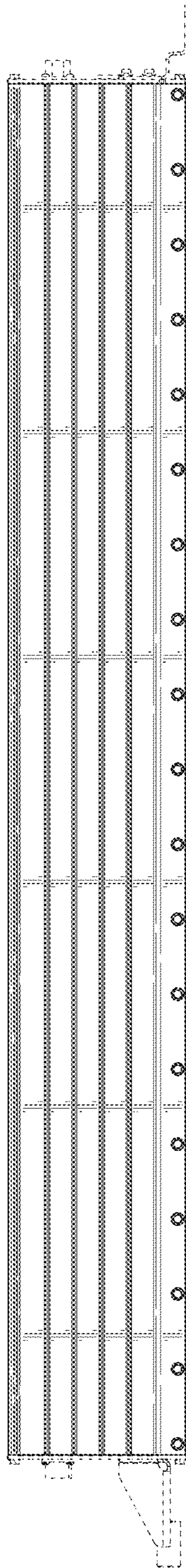


FIG. 6

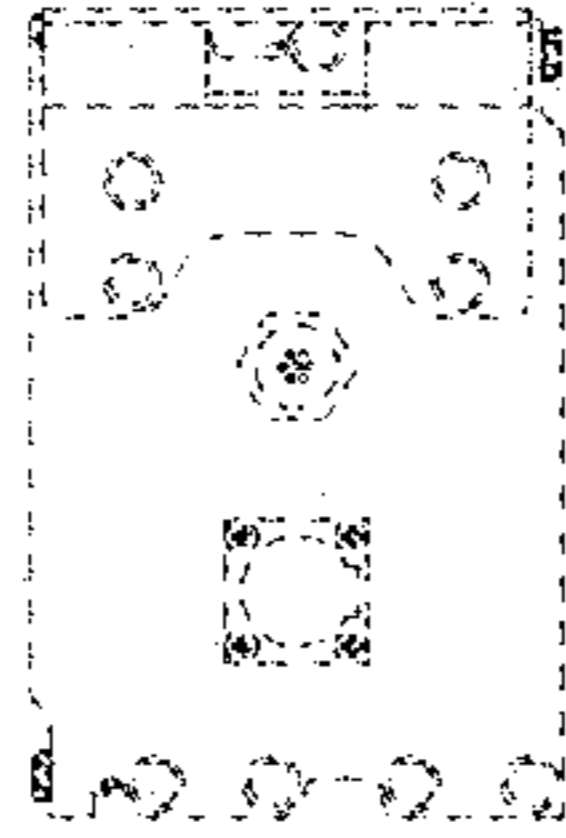


FIG. 8

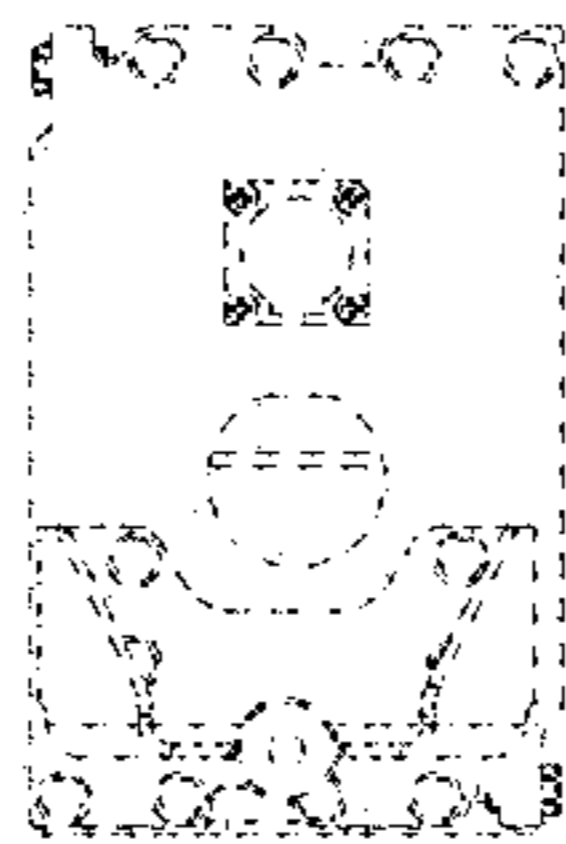


FIG. 7