



US00D913925S

(12) **United States Design Patent**
Nanbu et al.

(10) **Patent No.:** **US D913,925 S**
(45) **Date of Patent:** **** Mar. 23, 2021**

(54) **MOTOR**

D526,275 S * 8/2006 Han D13/112
D551,167 S * 9/2007 Kubota D13/112
D709,450 S * 7/2014 Tanabe D13/112

(71) Applicant: **Panasonic Intellectual Property Management Co., Ltd., Osaka (JP)**

(Continued)

(72) Inventors: **Yasuo Nanbu, Osaka (JP); Takanori Amaya, Osaka (JP)**

FOREIGN PATENT DOCUMENTS

(73) Assignee: **Panasonic Intellectual Property Management Co., Ltd., Osaka (JP)**

CN 304634810 S 5/2018
JP D134473 11/2008

(Continued)

(**) Term: **15 Years**

Primary Examiner — Derrick E Holland

(21) Appl. No.: **29/715,401**

(74) *Attorney, Agent, or Firm* — Panasonic IP Management; Kerry S. Culpepper

(22) Filed: **Dec. 2, 2019**

(57) **CLAIM**

We claim the ornamental design for a motor, as shown and described.

(30) **Foreign Application Priority Data**

DESCRIPTION

Jun. 20, 2019 (JP) 2019-013608

(51) **LOC (13) Cl.** **13-01**

(52) **U.S. Cl.**
USPC **D13/112**

(58) **Field of Classification Search**
USPC D13/101, 112, 113, 114, 117, 118, 120,
D13/122, 199; D15/1, 3, 5, 199;
D23/370, 377

CPC . F02B 63/04; H02K 3/24; H02K 3/47; H02K
1/12; H02K 5/02; H02K 5/04; H02K
5/08; H02K 5/18; H02K 5/20; H02K
11/0094; H02K 9/06; H02K 9/14

See application file for complete search history.

(56) **References Cited**

U.S. PATENT DOCUMENTS

4,673,837 A * 6/1987 Gingerich H02K 5/148
29/597
5,883,449 A * 3/1999 Mehta F04D 25/082
310/417
D409,564 S * 5/1999 Koshida D13/112

FIG. 1 is a front perspective view of a motor of the present invention;

FIG. 2 is a rear perspective view thereof;

FIG. 3 is a front view thereof;

FIG. 4 is a rear view thereof;

FIG. 5 is a first side view thereof;

FIG. 6 is a second side view thereof;

FIG. 7 is a top view thereof;

FIG. 8 is a bottom view thereof;

FIG. 9 is a cross-sectional view taken along the line 9-9 in FIG. 3;

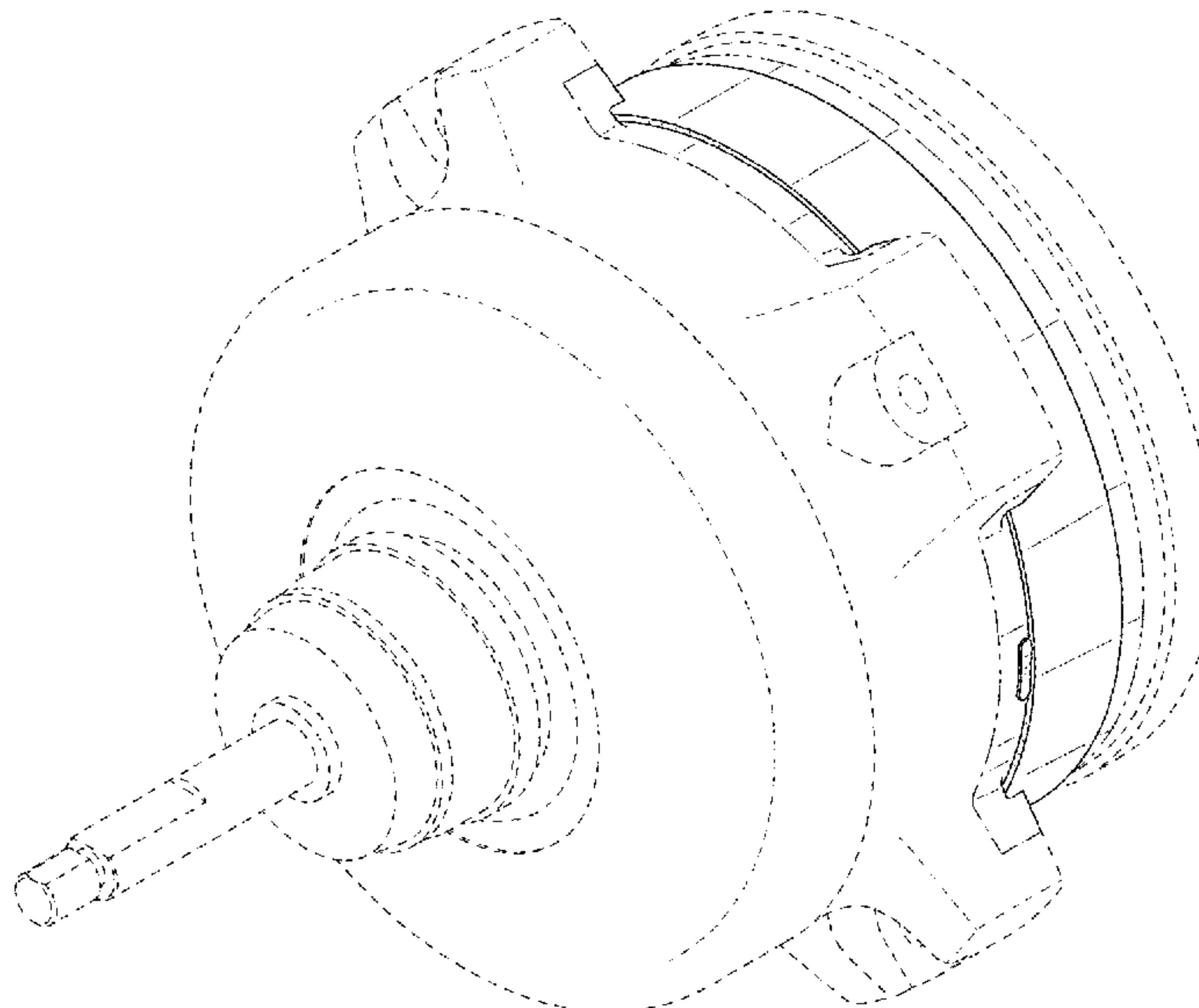
FIG. 10 is an end view of the sectioned part taken along the line 10-10 in FIG. 6;

FIG. 11 is an enlarged view of the area marked as 11 in FIG. 9; and,

FIG. 12 is an enlarged view of the area marked as 12 in FIG. 10.

The broken lines in the drawings represent portions of the motor that form no part of the claimed design. Additionally, the dash-dot-dashed broken lines in the drawings define the boundaries of the claimed design and form no part thereof.

1 Claim, 12 Drawing Sheets



(56)

References Cited

U.S. PATENT DOCUMENTS

D710,801 S * 8/2014 Tanaka D13/112
D741,260 S * 10/2015 Yabuuchi D13/112
9,172,283 B2 * 10/2015 Li H02K 5/02
D753,591 S * 4/2016 Noda D13/112
D786,794 S * 5/2017 McCormick D13/112
D790,467 S * 6/2017 Marth D13/112
9,822,642 B2 * 11/2017 Anderson B64D 27/16
D806,650 S * 1/2018 Chang D13/112
D836,551 S * 12/2018 Kaneko D13/112
D842,246 S * 3/2019 Gan D13/112
D853,445 S * 7/2019 Kuratani D15/1
D860,942 S * 9/2019 Hilker D13/112
D886,737 S * 6/2020 Nanbu D13/112
2015/0249376 A1 * 9/2015 Hiwaki H02K 5/08
310/43

FOREIGN PATENT DOCUMENTS

JP D1372992 11/2009
JP D1411473 4/2011
JP D1630777 5/2019

* cited by examiner

FIG. 1

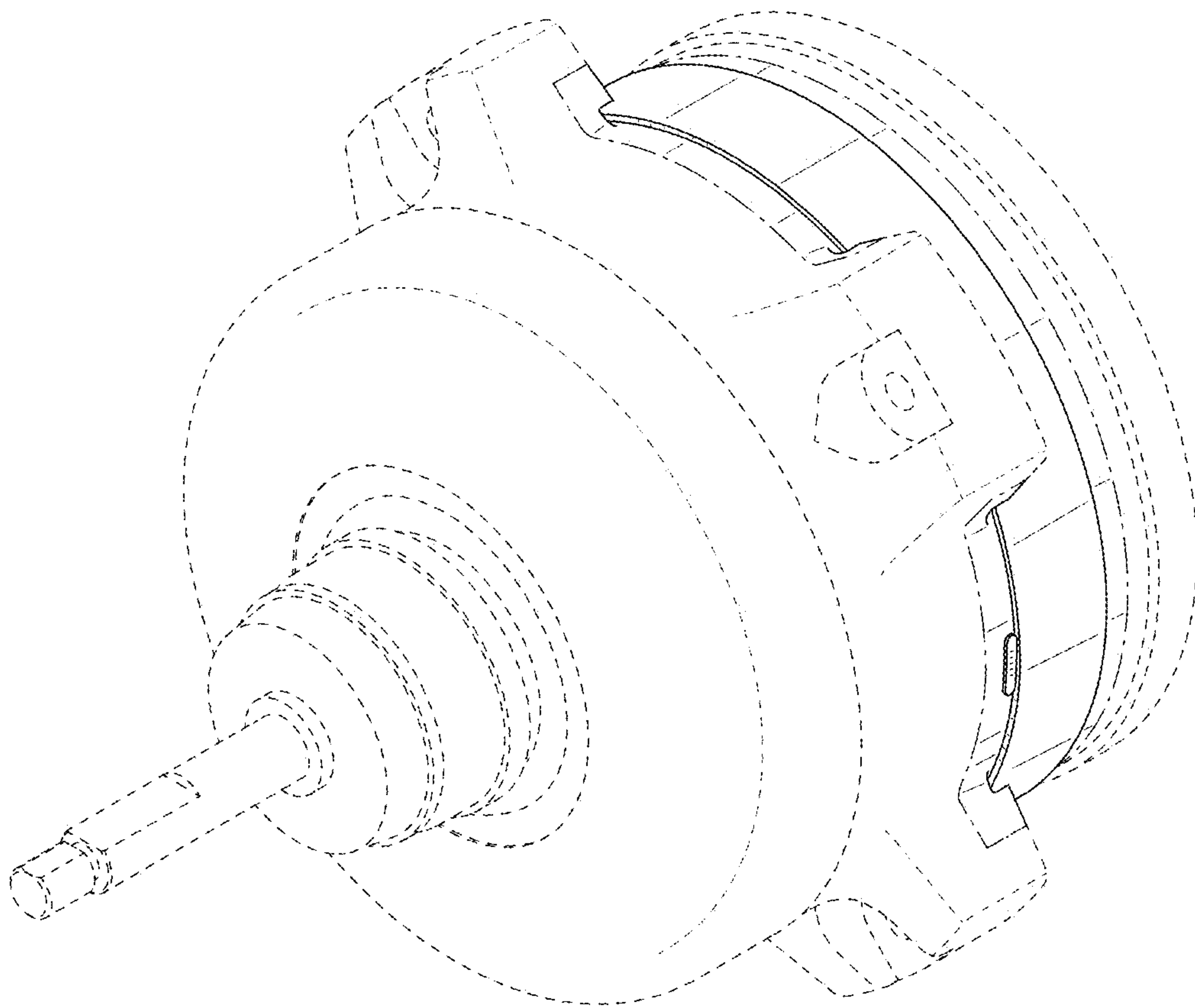


FIG. 2

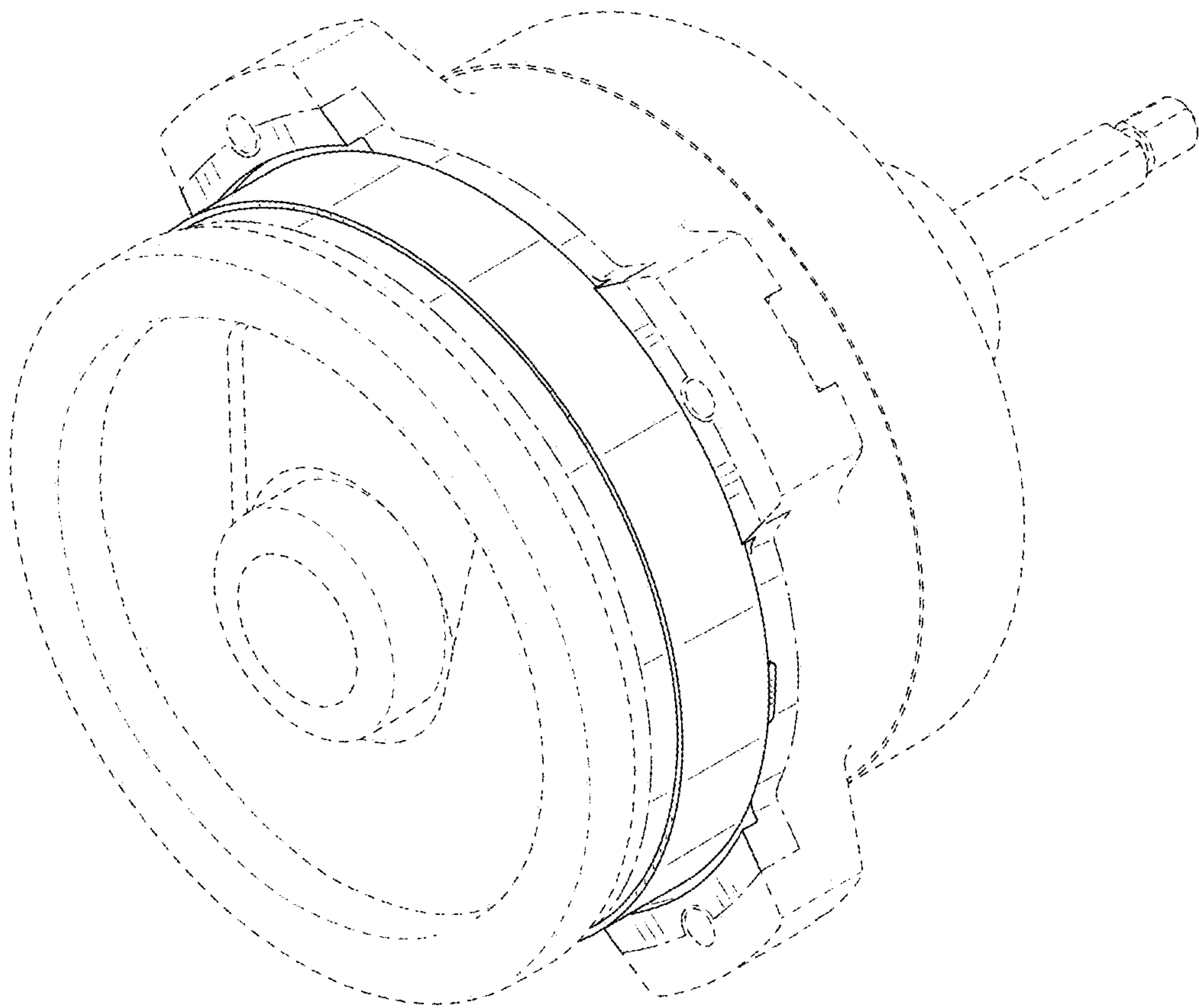


FIG. 3

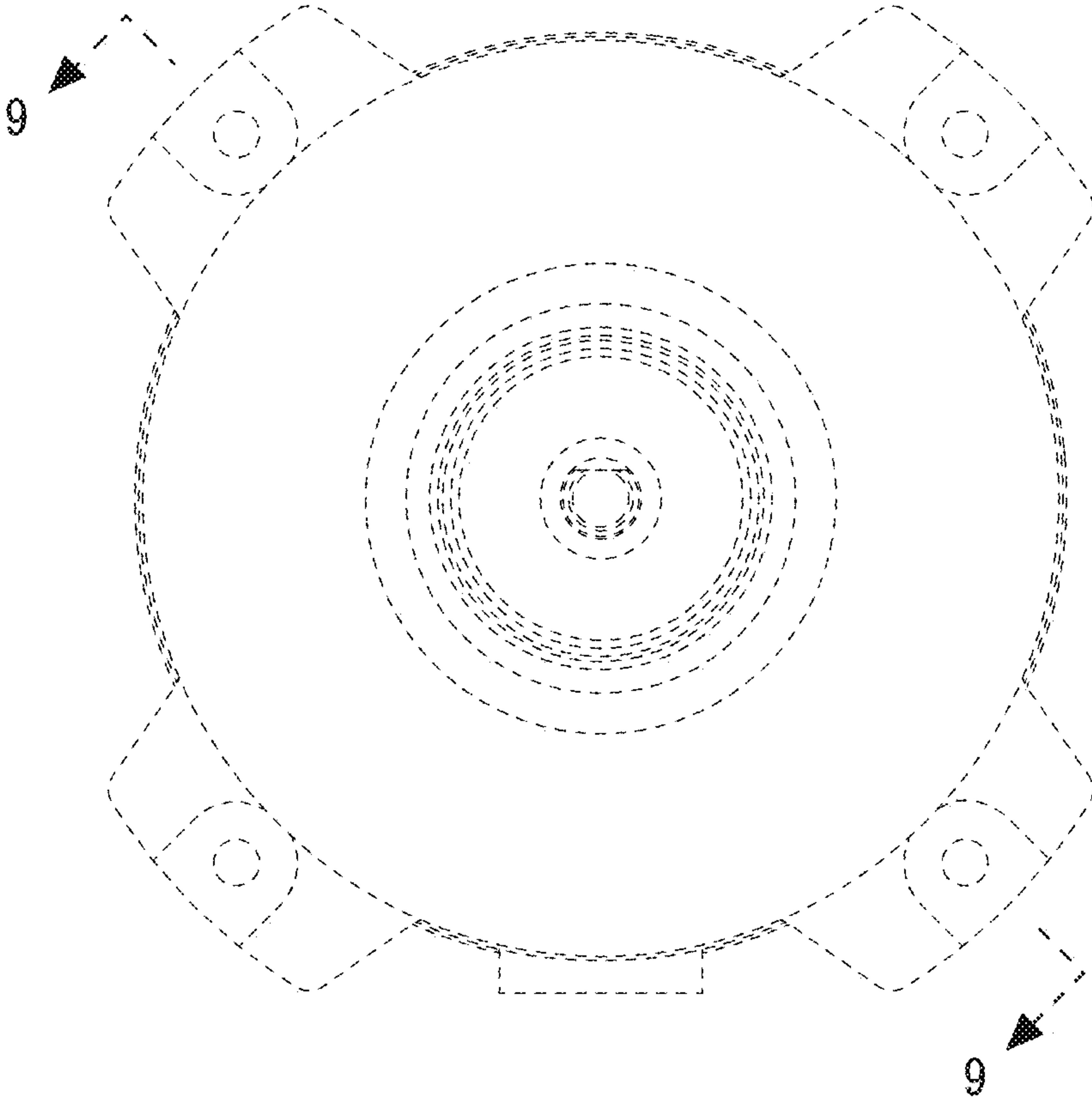


FIG. 4

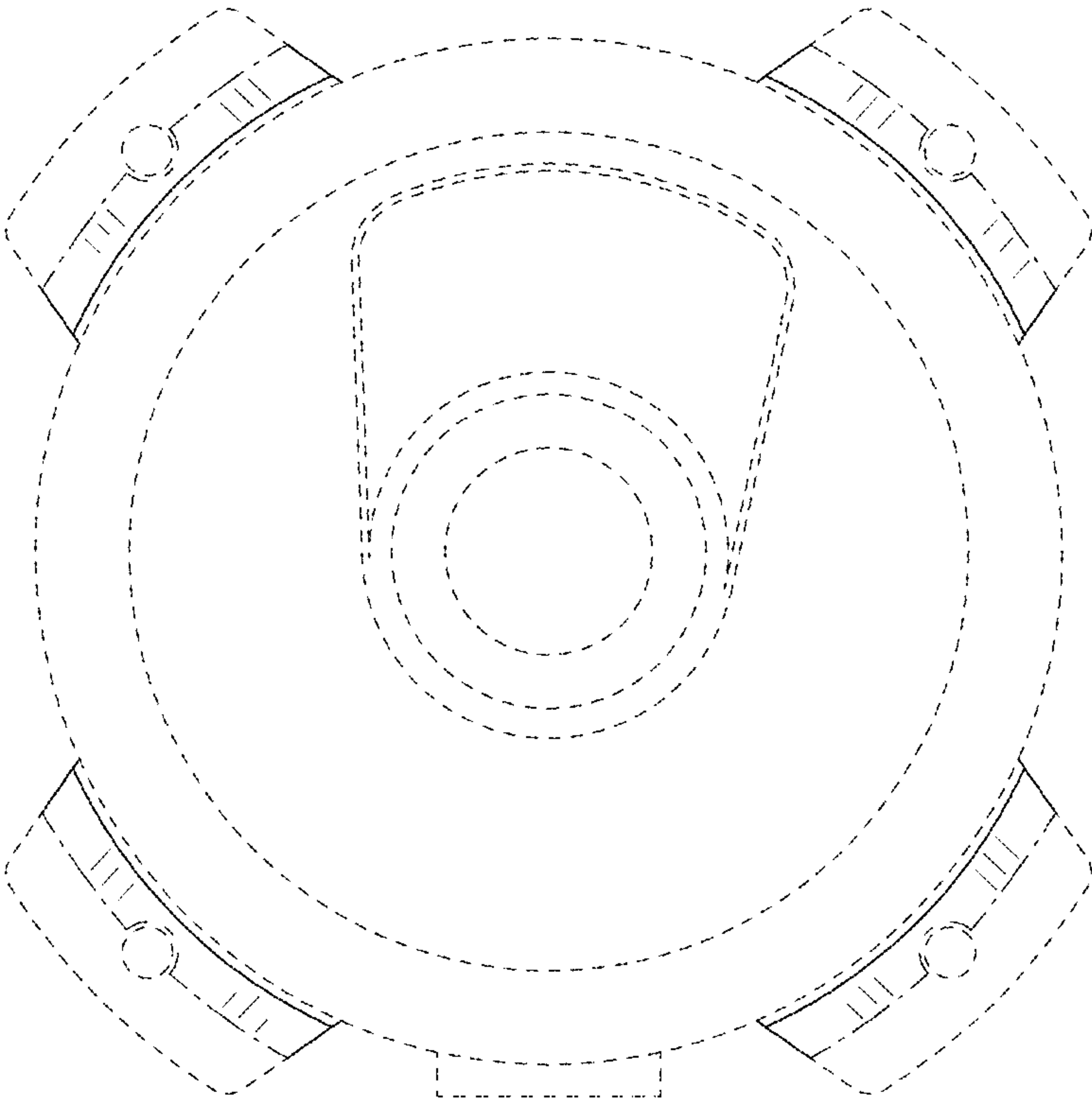


FIG. 5

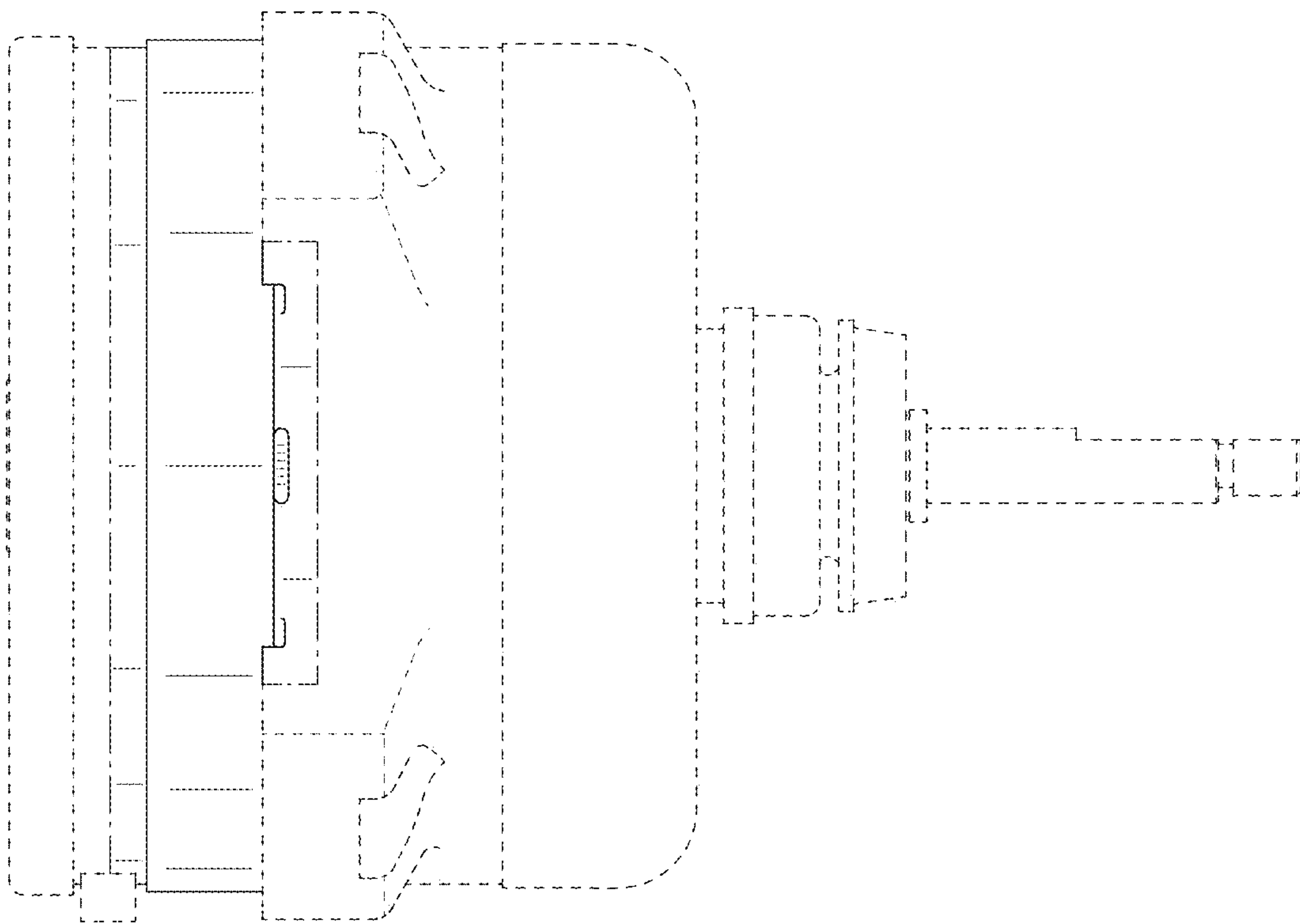


FIG. 6

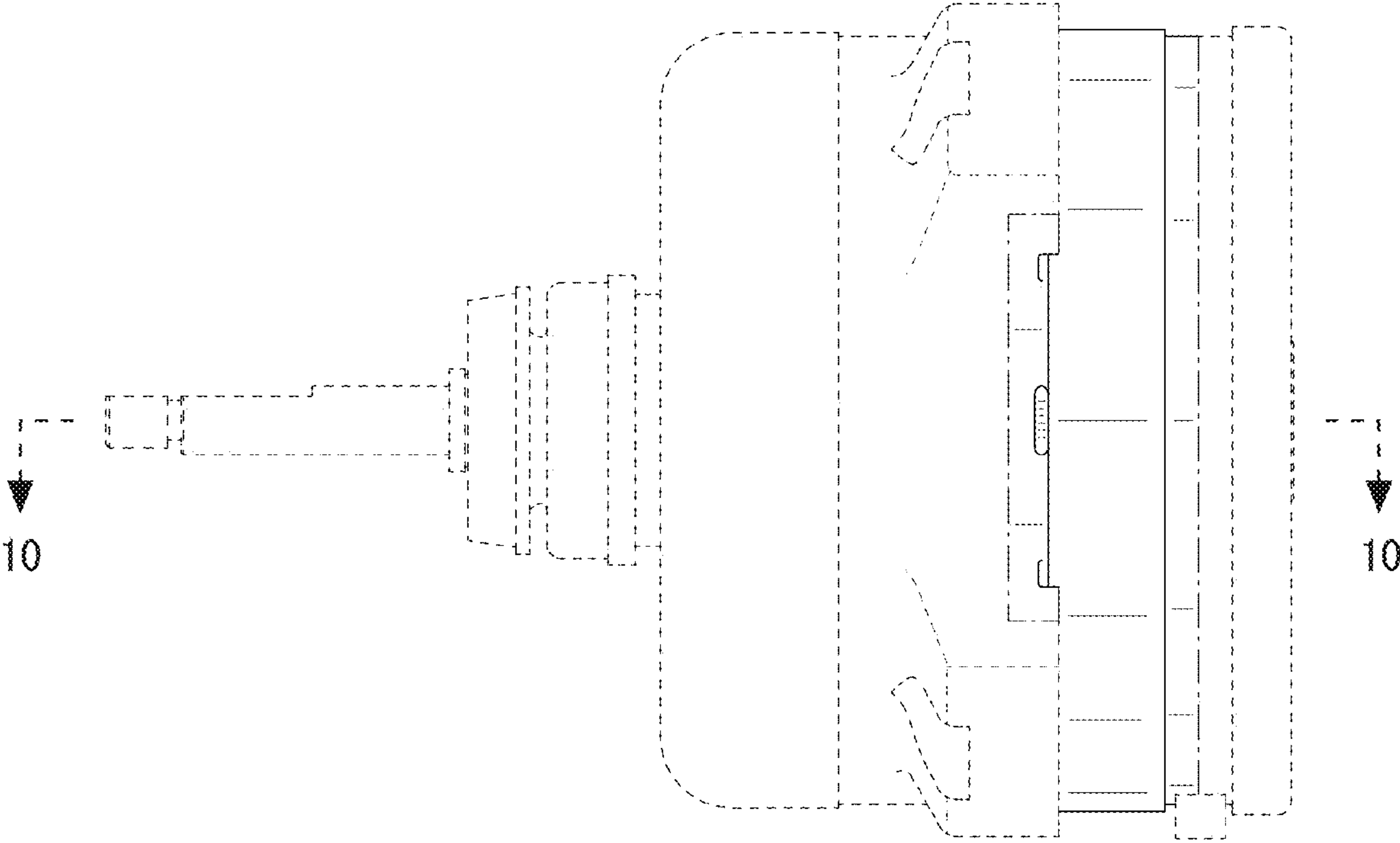


FIG. 7

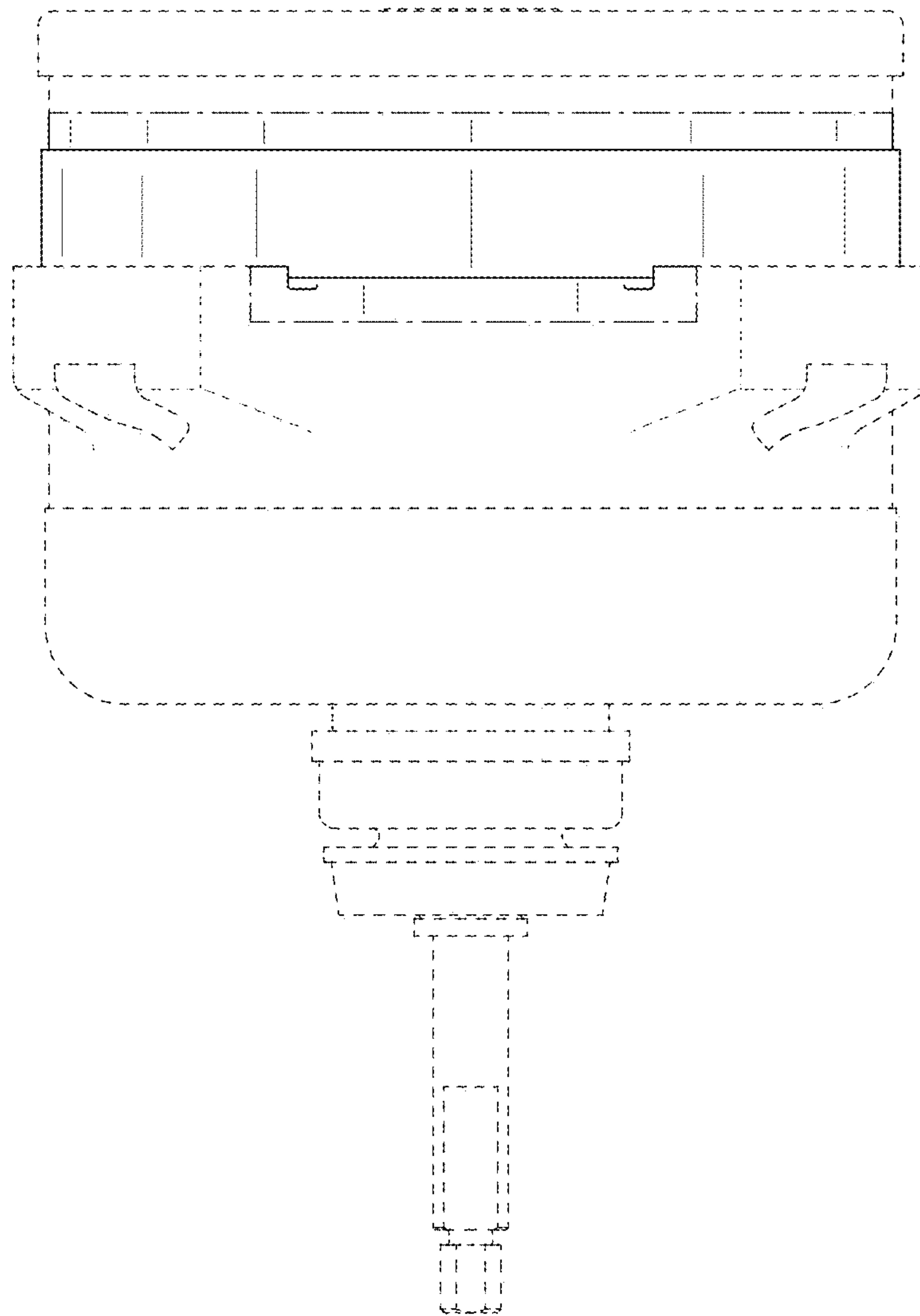


FIG. 8

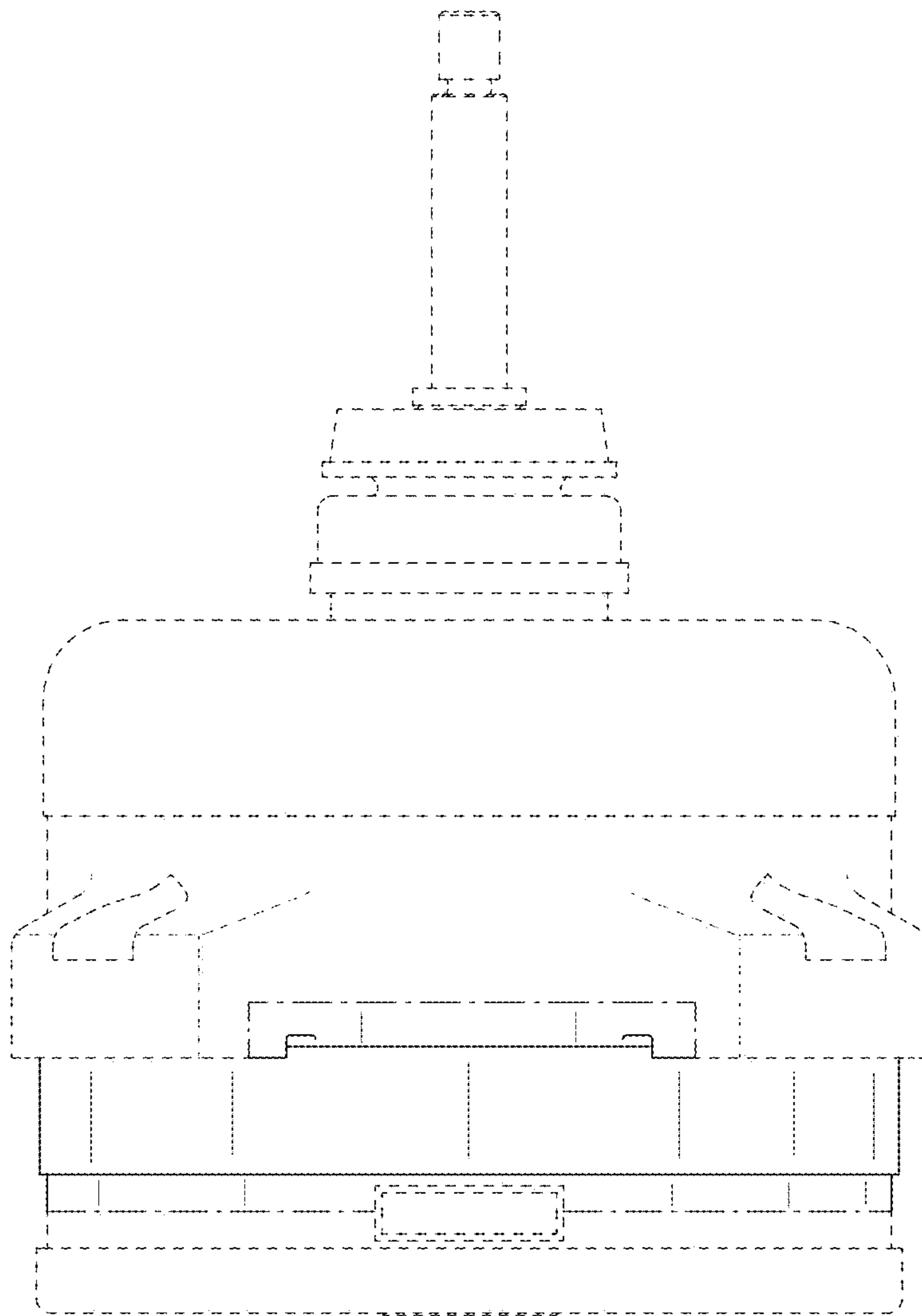


FIG. 9

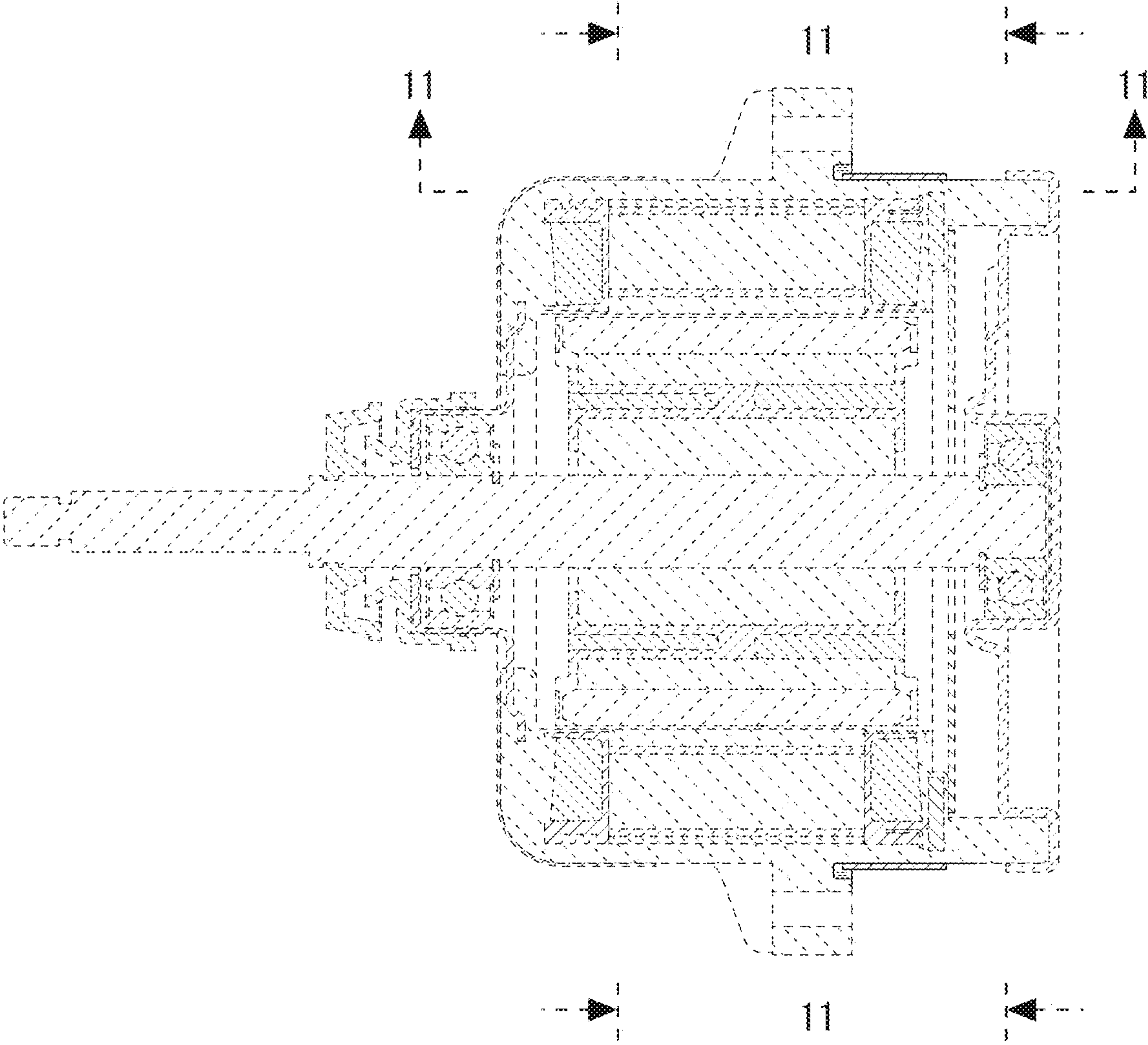


FIG. 10

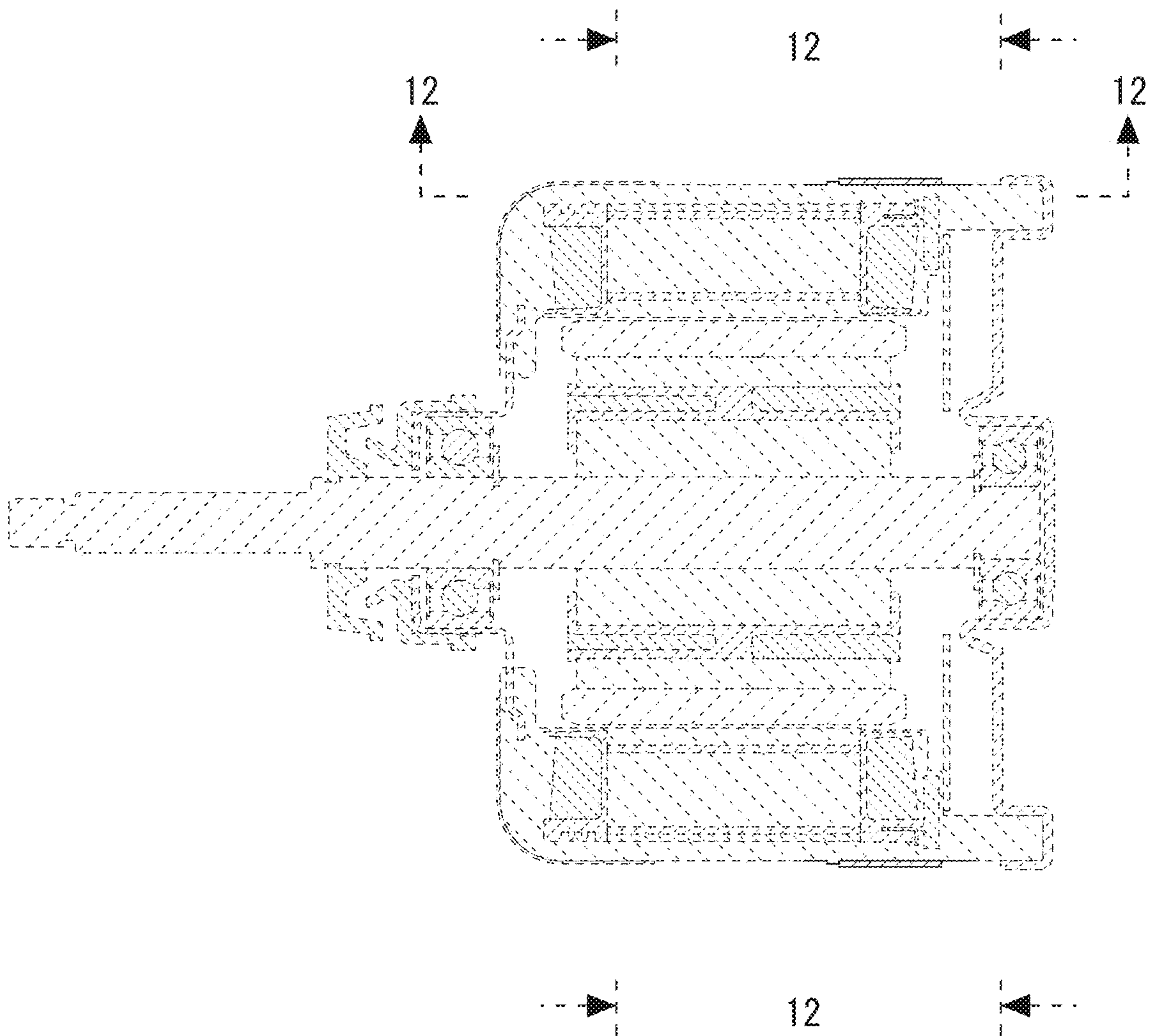


FIG. 11

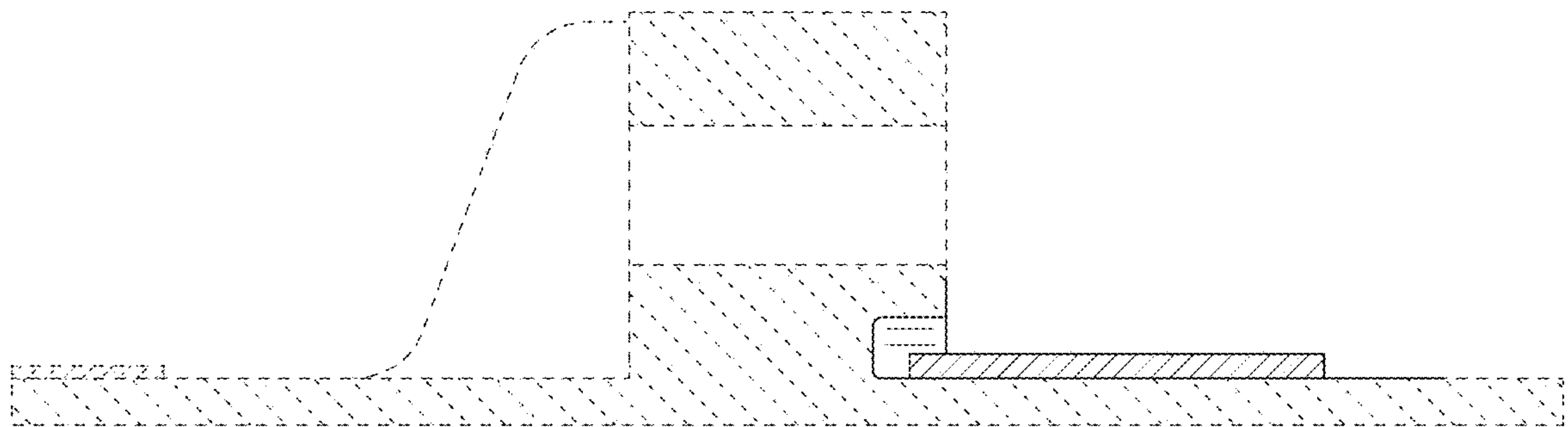


FIG. 12

