



US00D913923S

(12) **United States Design Patent** (10) **Patent No.:** **US D913,923 S**
You et al. (45) **Date of Patent:** **** Mar. 23, 2021**

(54) **ENERGY STORAGE SYSTEM**

(71) Applicant: **LG ELECTRONICS INC.**, Seoul (KR)

(72) Inventors: **Hyunhee You**, Seoul (KR); **Yongho Lee**, Seoul (KR)

(73) Assignee: **LG ELECTRONICS INC.**, Seoul (KR)

(**) Term: **15 Years**

(21) Appl. No.: **35/508,060**

(22) Filed: **Jun. 7, 2019**

(80) **Hague Agreement Data**

Int. Filing Date: **Jun. 7, 2019**

Int. Reg. No.: **DM/203844**

Int. Reg. Date: **Jun. 7, 2019**

Int. Reg. Pub. Date: **Dec. 13, 2019**

(30) **Foreign Application Priority Data**

Dec. 11, 2018 (KR) 30-2018-0058215

(51) **LOC (13) Cl.** **13-02**

(52) **U.S. Cl.**
USPC **D13/110; D13/107**

(58) **Field of Classification Search**
USPC D13/102–110, 118–119, 184, 199;
D14/356, 432

CPC H02J 2001/008; H02J 3/32; H02J 3/008;
H02J 7/0027; H02J 7/0013; H02J 7/0054;
H02J 7/00; H02J 7/025; H02J 7/0042;
H02J 7/0044; H02J 7/0045; H02J 7/0003;
B60R 16/03; B60L 11/1809; B60L
11/1861; B60L 11/182; Y02E 60/12;
Y02E 60/122; Y02E 60/124; Y02E 60/50;
Y02E 10/50; Y02E 10/47; H01M 2/02;
H01M 2/022; H01M 2/0202; H01M
2/0207; H01M 2/0212; H01M 2/1061;
H01M 2/1022; H01M 2/1055; H01M

2/1066; H01M 2/105; H01M 2/204;
H01M 2/1016; H01M 2200/00; H01M
10/4257; H01M 10/0436; H01M 10/48;
H01M 10/42; H01M 10/44; H01M 10/46;
H01M 10/425; H02S 10/40; H02S 30/20;
H02S 40/34; Y02T 90/14; Y02T 90/122;
Y02T 90/128; Y02T 90/163; H01F 38/14;
H01R 13/6675

See application file for complete search history.

(56) **References Cited**

U.S. PATENT DOCUMENTS

D507,528 S * 7/2005 Feldman D13/102
D604,238 S * 11/2009 Engel D13/110
D604,239 S * 11/2009 Engel D13/110
D604,254 S * 11/2009 Lanfear D13/162
D610,540 S * 2/2010 Engel D13/110
D616,815 S * 6/2010 Jadraque Aznarez D13/110
D644,603 S * 9/2011 Liu D13/102
D756,921 S * 5/2016 Benn D13/110

(Continued)

Primary Examiner — Nathaniel D. Buckner

(74) *Attorney, Agent, or Firm* — Birch, Stewart, Kolasch & Birch, LLP

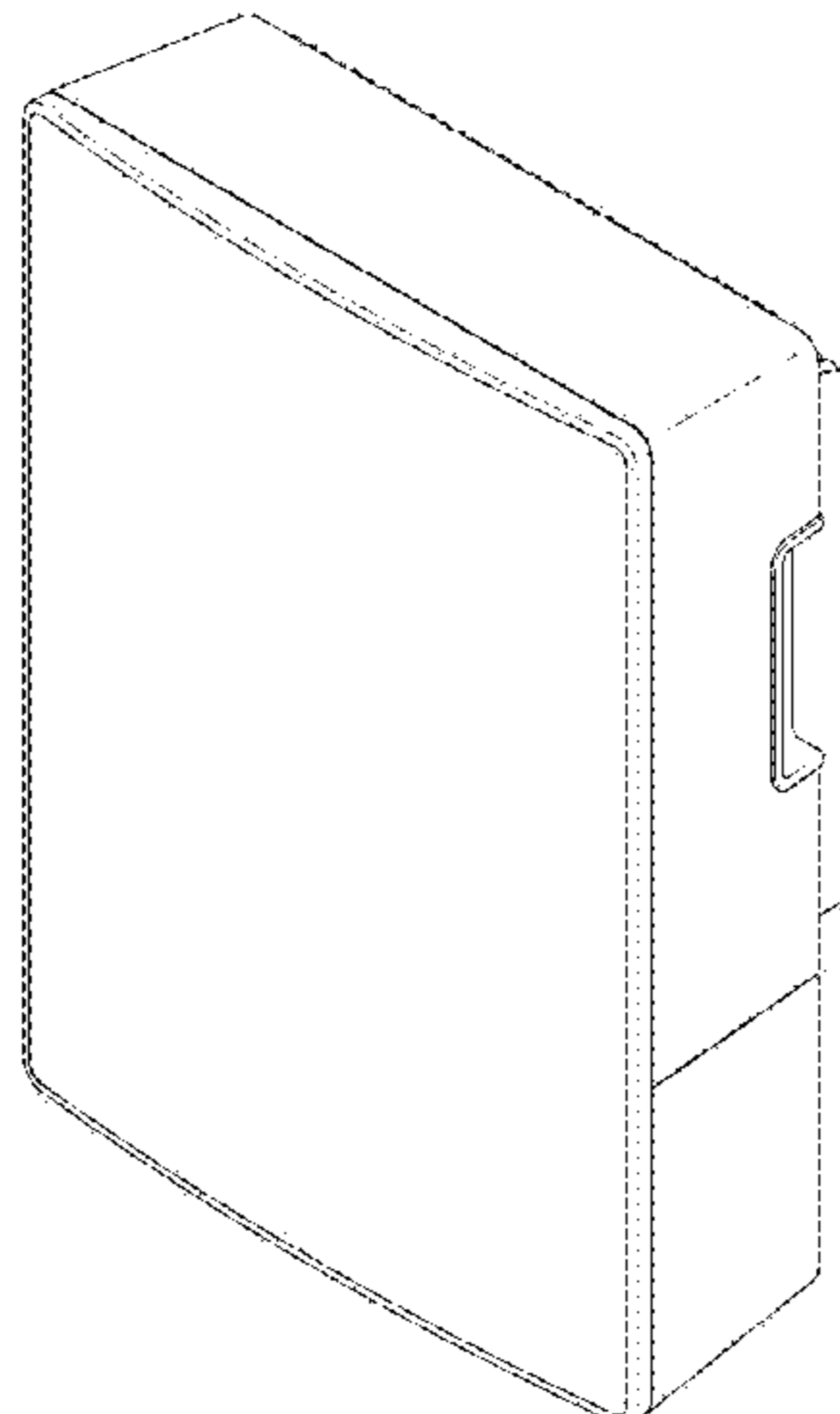
(57) **CLAIM**

The ornamental design for an energy storage system, as shown and described.

DESCRIPTION

- 1. Energy storage system
- 1.1 : Perspective
- 1.2 : Rear perspective view
- 1.3 : Front
- 1.4 : Back
- 1.5 : Left
- 1.6 : Right
- 1.7 : Top
- 1.8 : Bottom

(Continued)



The broken lines indicate portions of the article that form no part of the claimed design.

1 Claim, 8 Drawing Sheets

(56)

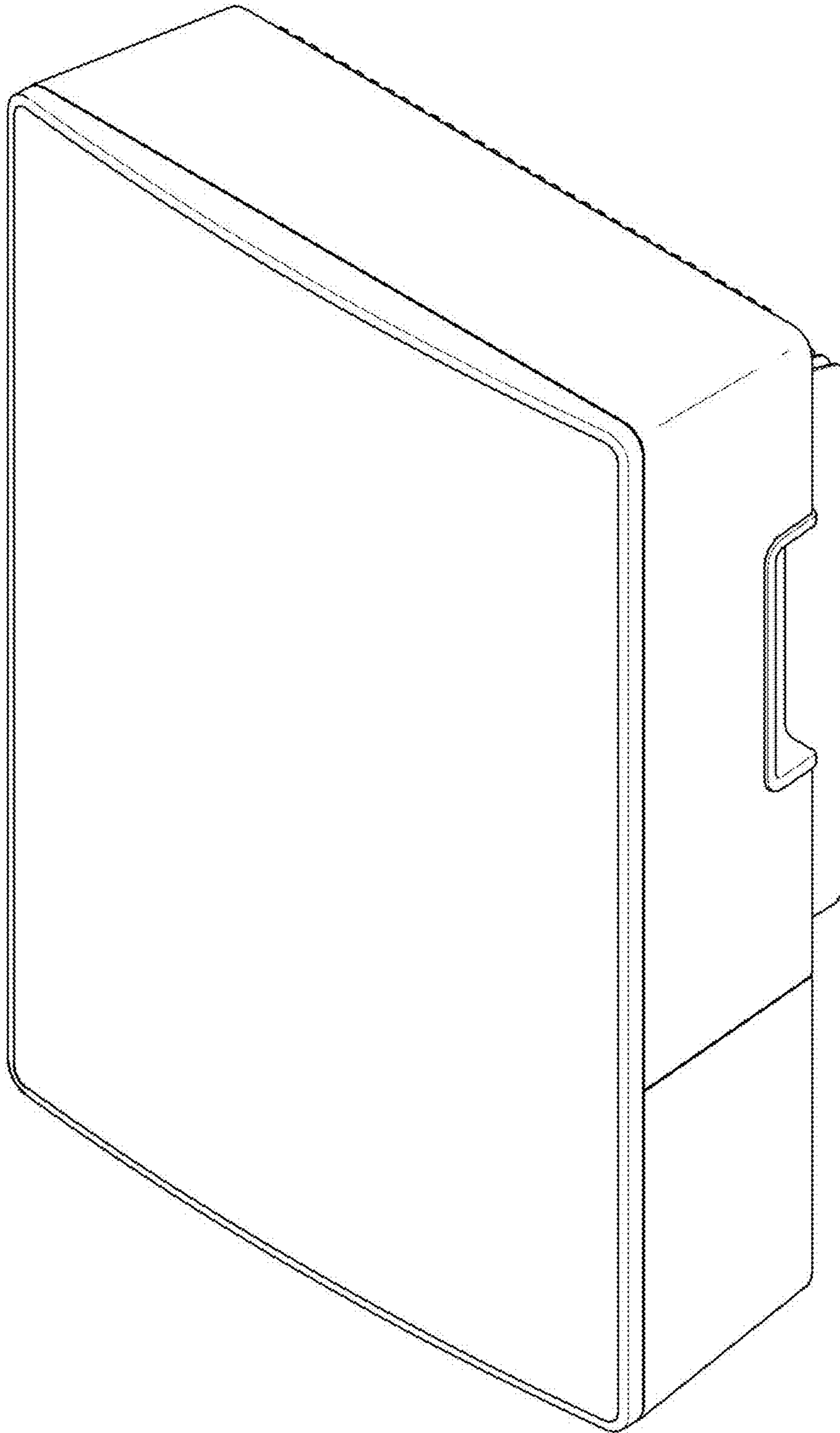
References Cited

U.S. PATENT DOCUMENTS

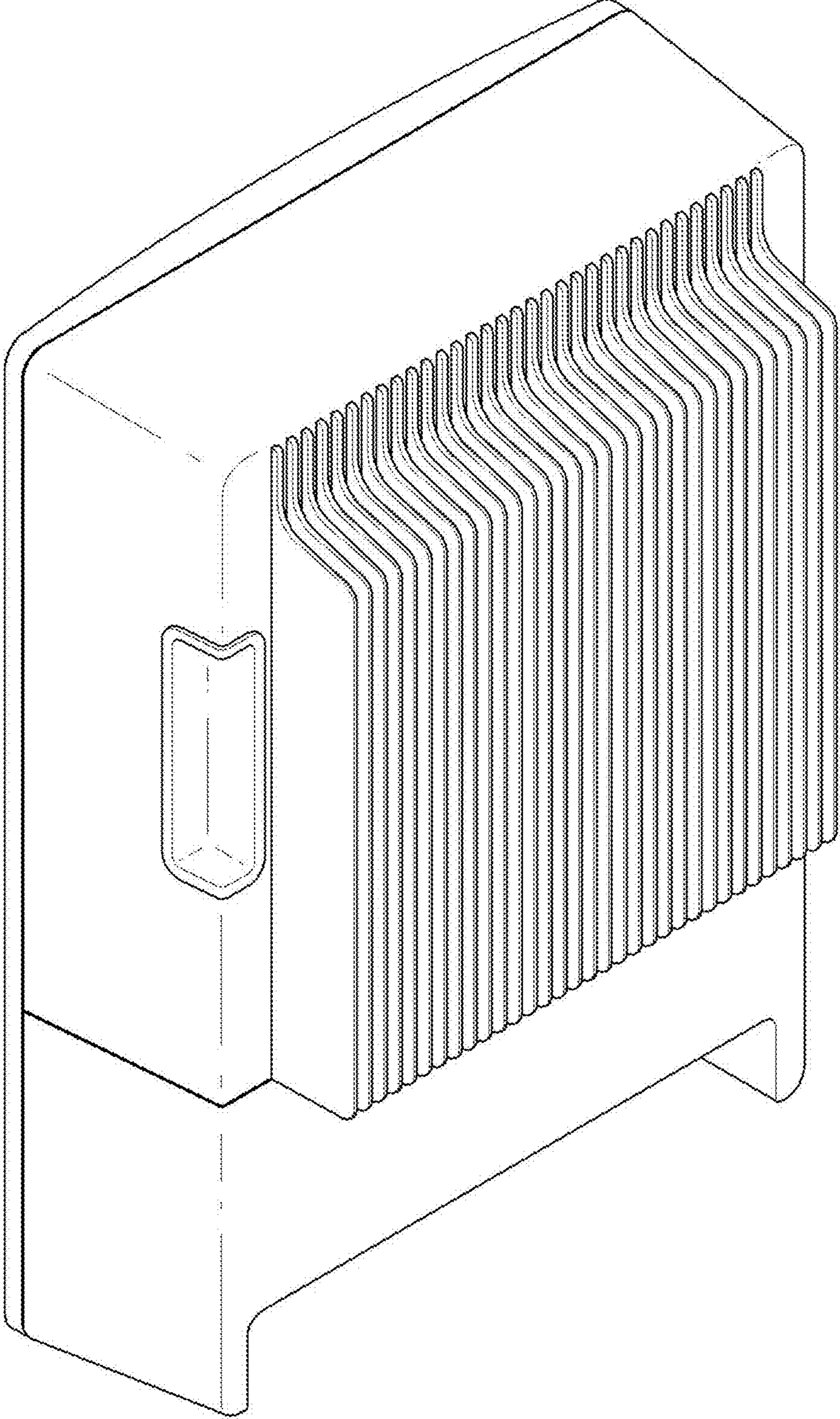
D798,809 S	*	10/2017	Benn	D13/110
D824,330 S	*	7/2018	Hao	D13/110
D843,331 S	*	3/2019	Long	D13/162
D862,383 S	*	10/2019	Surbeck	D13/107
D895,562 S	*	9/2020	Choubey	D13/184

* cited by examiner

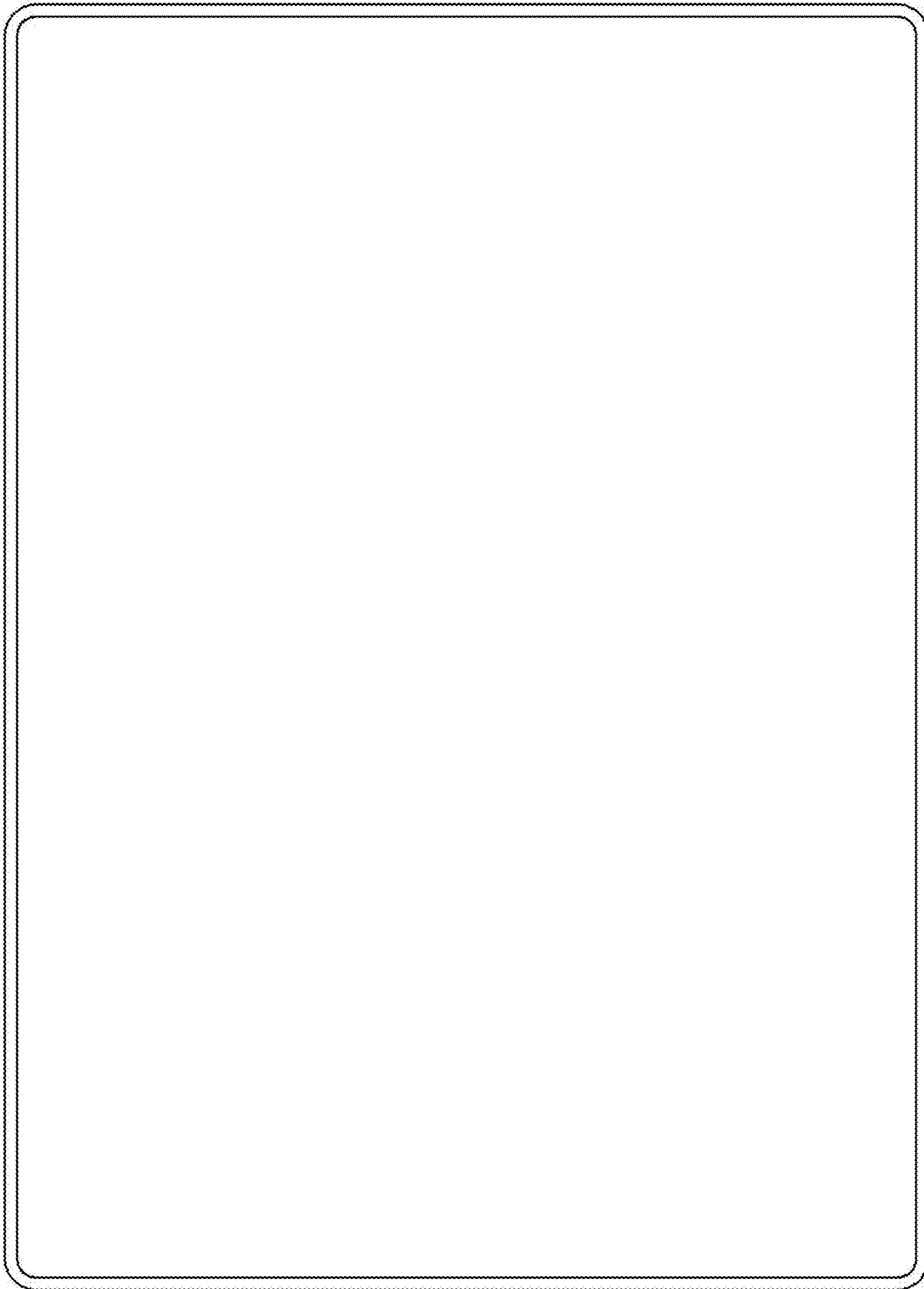
1.1



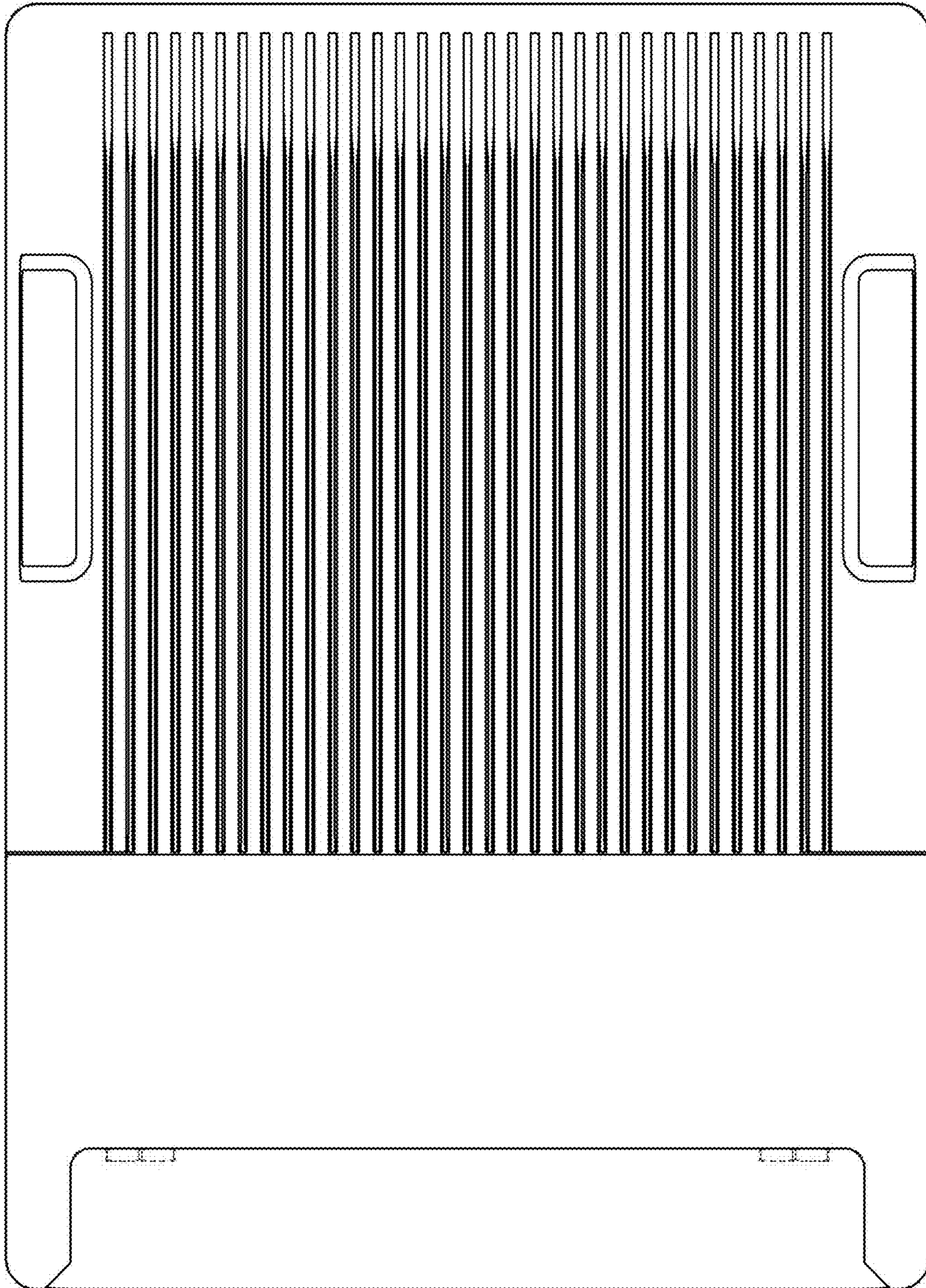
1.2



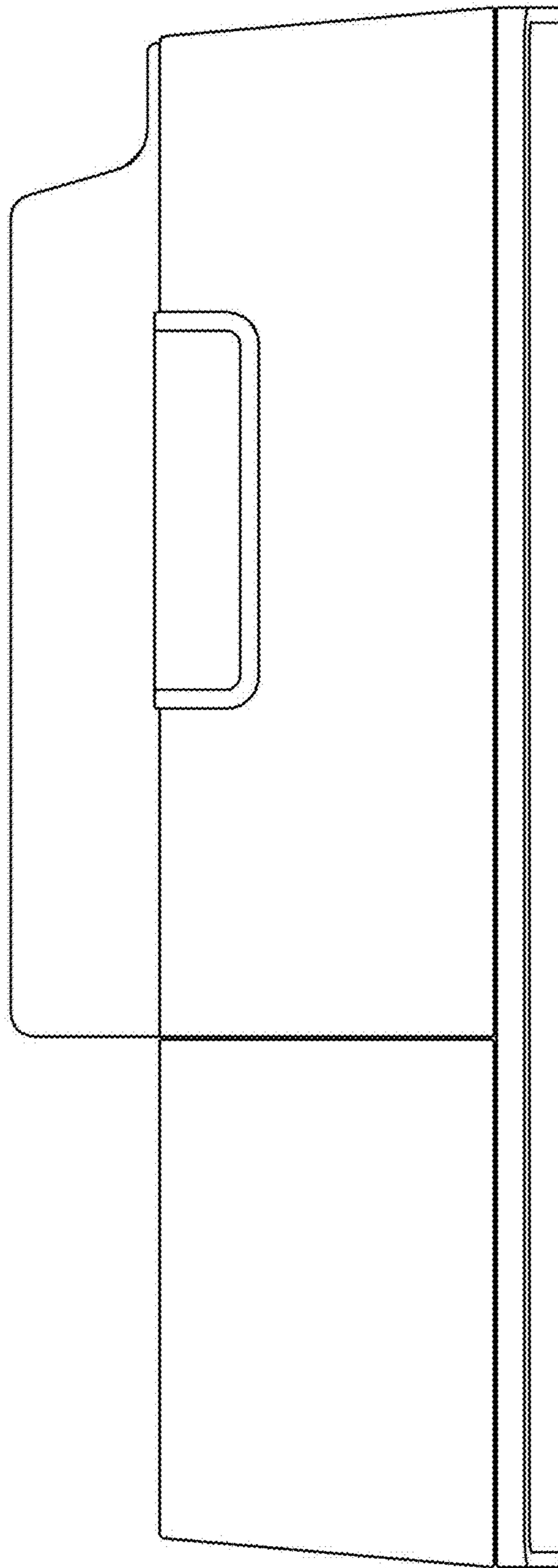
1.3



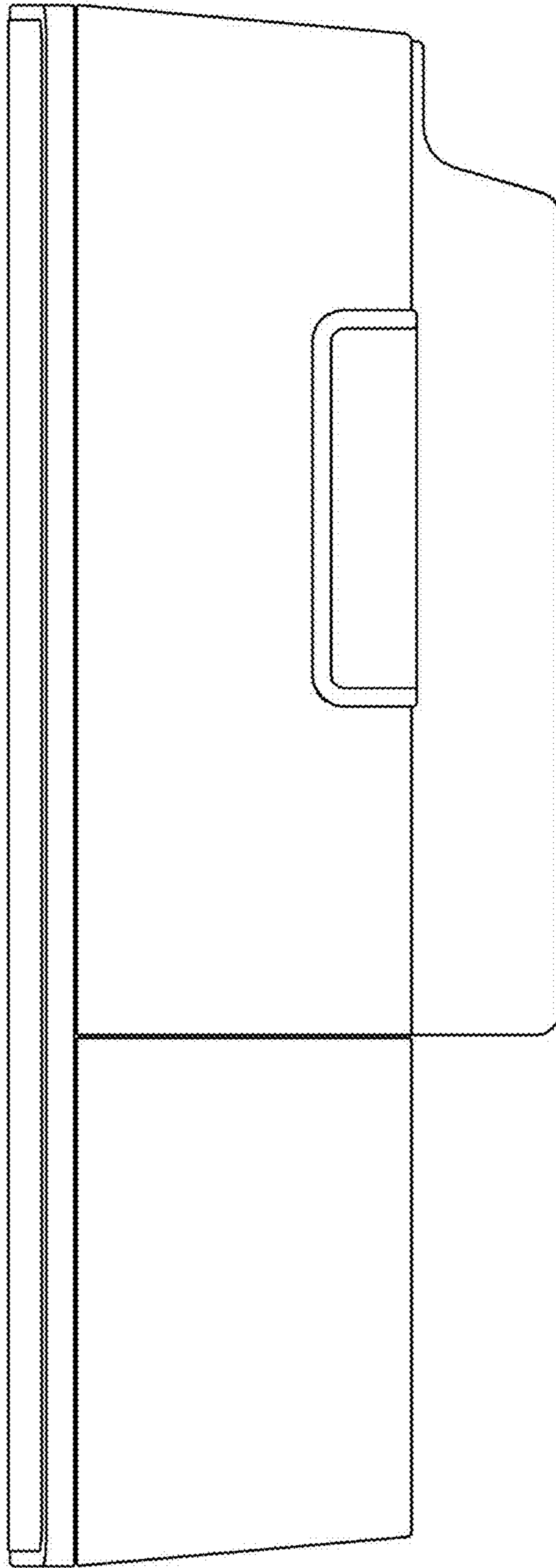
1.4



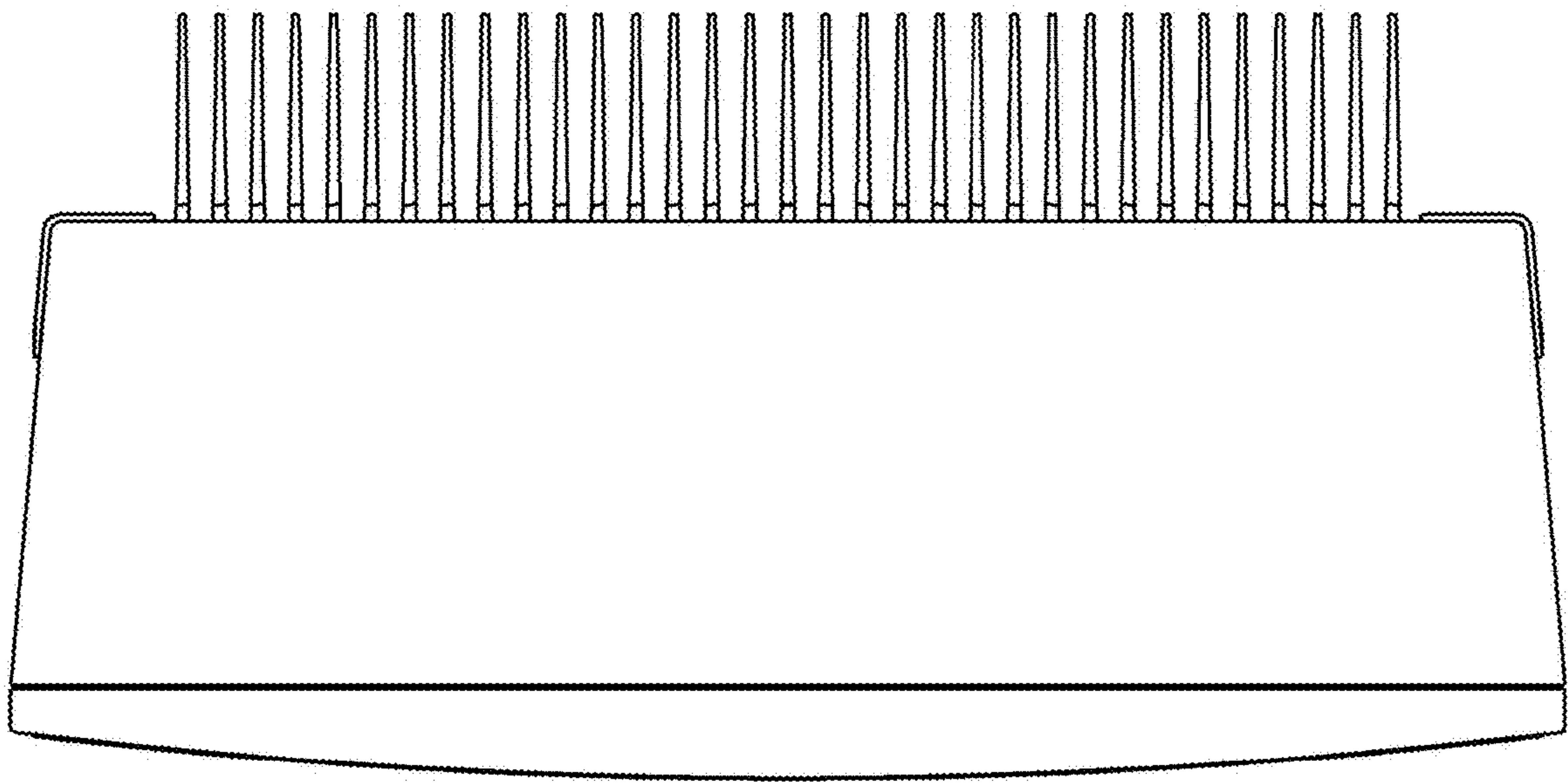
1.5



1.6



1.7



1.8

