



US00D913922S

(12) **United States Design Patent** (10) **Patent No.:** **US D913,922 S**  
**You et al.** (45) **Date of Patent:** **\*\* Mar. 23, 2021**

(54) **ENERGY STORAGE SYSTEM**

(71) Applicant: **LG ELECTRONICS INC.**, Seoul (KR)

(72) Inventors: **Hyunhee You**, Seoul (KR); **Yongho Lee**, Seoul (KR)

(73) Assignee: **LG ELECTRONICS INC.**, Seoul (KR)

(\*\*) Term: **15 Years**

(21) Appl. No.: **35/508,052**

(22) Filed: **Jun. 7, 2019**

(80) **Hague Agreement Data**

Int. Filing Date: **Jun. 7, 2019**

Int. Reg. No.: **DM/203847**

Int. Reg. Date: **Jun. 7, 2019**

Int. Reg. Pub. Date: **Dec. 13, 2019**

(30) **Foreign Application Priority Data**

Dec. 10, 2018 (KR) ..... 30-2018-0058032

(51) **LOC (13) Cl.** ..... **13-02**

(52) **U.S. Cl.**  
USPC ..... **D13/110; D13/107**

(58) **Field of Classification Search**  
USPC ..... D13/102–110, 118–119, 184, 199;  
D14/356, 432

CPC ..... H02J 2001/008; H02J 3/32; H02J 3/008;  
H02J 7/0027; H02J 7/0013; H02J 7/0054;  
H02J 7/00; H02J 7/025; H02J 7/0042;  
H02J 7/0044; H02J 7/0045; H02J 7/0003;  
B60R 16/03; B60L 11/1809; B60L  
11/1861; B60L 11/182; Y02E 60/12;  
Y02E 60/122; Y02E 60/124; Y02E 60/50;  
Y02E 10/50; Y02E 10/47; H01M 2/02;  
H01M 2/022; H01M 2/0202; H01M  
2/0207; H01M 2/0212; H01M 2/1061;  
H01M 2/1066; H01M 2/105; H01M

2/204; H01M 2/1016; H01M 2200/00;  
H01M 10/4257; H01M 10/0436; H01M  
10/48; H01M 10/42; H01M 2/1022;  
H01M 2/1055; H01M 10/44; H01M  
10/46; H01M 10/425; H02S 10/40; H02S  
30/20; H02S 40/34; Y02T 90/14; Y02T  
90/122; Y02T 90/128; Y02T 90/163;  
H01F 38/14; H01R 13/6675

See application file for complete search history.

(56) **References Cited**

U.S. PATENT DOCUMENTS

D281,315 S *	11/1985	Kjeld .....	D13/179
D281,969 S *	12/1985	Moeller .....	D13/179
D284,076 S *	6/1986	Moeller .....	D13/123
D292,914 S *	11/1987	Moeller .....	D13/123
D337,328 S *	7/1993	Beaumont .....	D13/184
D377,652 S *	1/1997	Sarkiniemi .....	D13/184
D510,320 S *	10/2005	Tuomola .....	D13/110
D580,853 S *	11/2008	Ahlgren .....	D13/107

(Continued)

*Primary Examiner* — Nathaniel D. Buckner

(74) *Attorney, Agent, or Firm* — Birch, Stewart, Kolasch & Birch, LLP

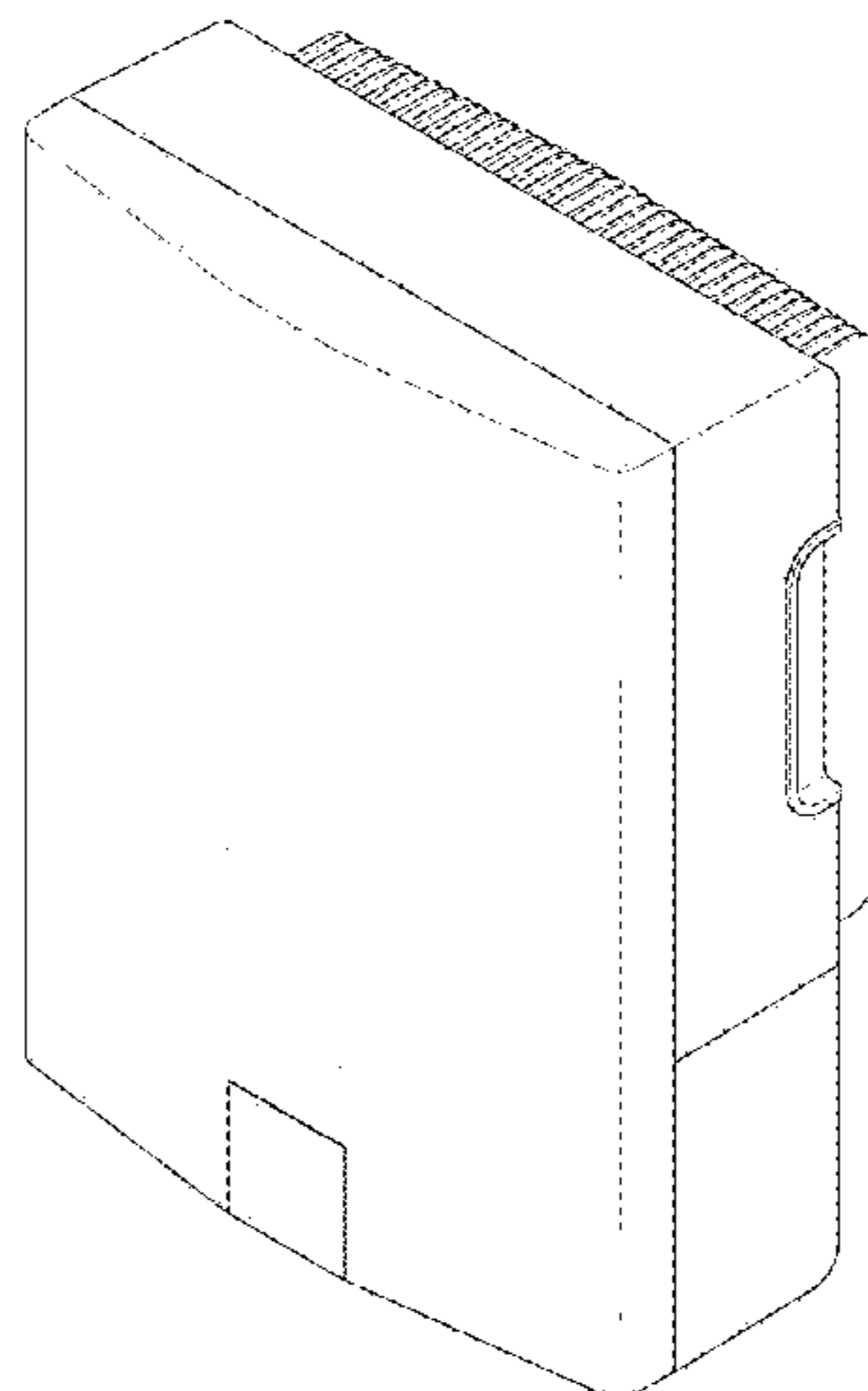
(57) **CLAIM**

The ornamental design for an energy storage system, as shown and described.

**DESCRIPTION**

1. Energy storage system
- 1.1 : Perspective
- 1.2 : Rear perspective view
- 1.3 : Front
- 1.4 : Back
- 1.5 : Left
- 1.6 : Right
- 1.7 : Top
- 1.8 : Bottom

(Continued)



The broken lines indicate portions of the article that form no part of the claimed design.

**1 Claim, 8 Drawing Sheets**

(56)

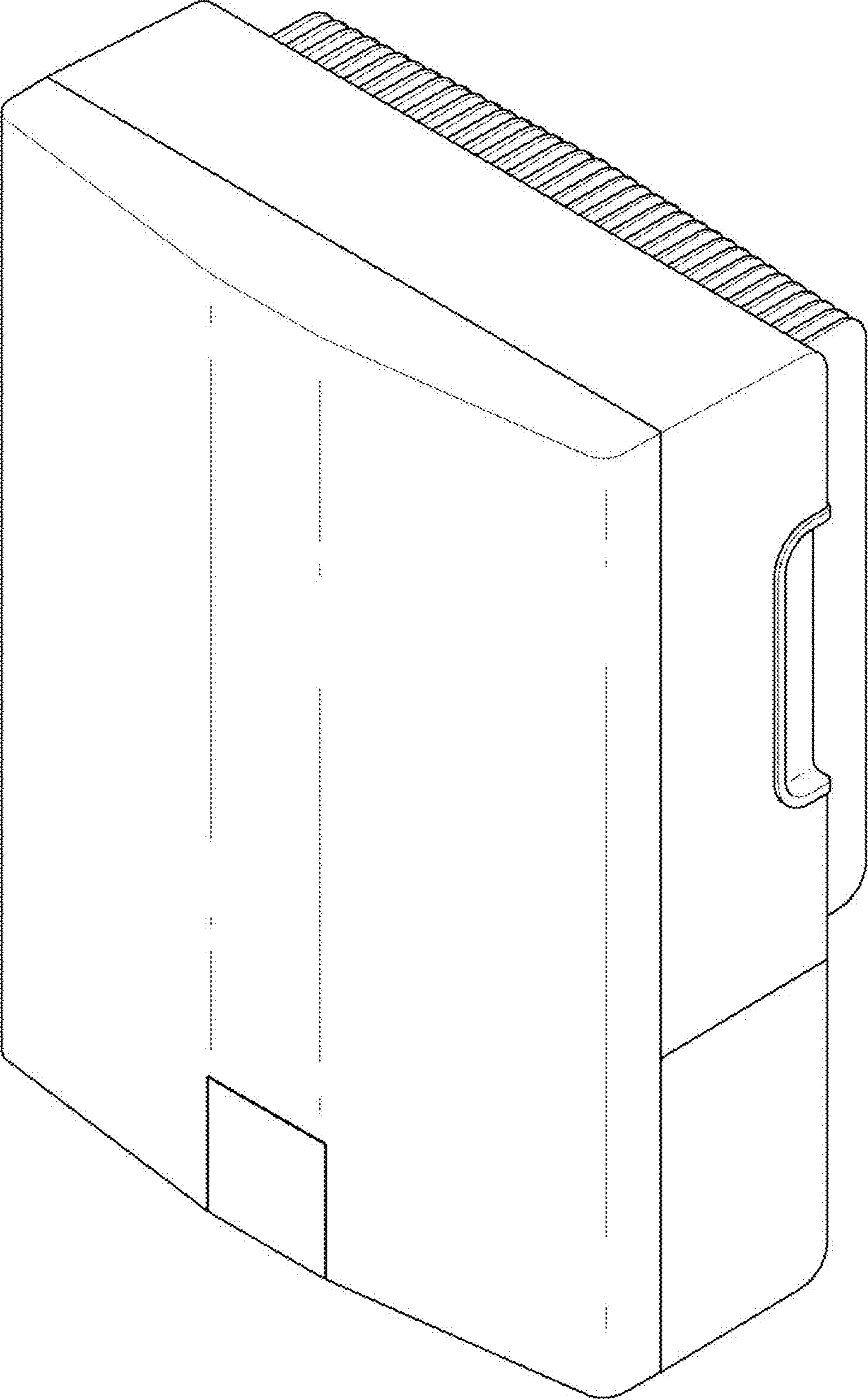
**References Cited**

U.S. PATENT DOCUMENTS

D604,254 S	*	11/2009	Lanfear .....	D13/162
D610,554 S	*	2/2010	Lanfear .....	D13/162
D615,045 S	*	5/2010	Lanfear .....	D13/162
D631,446 S	*	1/2011	Lanfear .....	D13/162
D843,331 S	*	3/2019	Long .....	D13/162

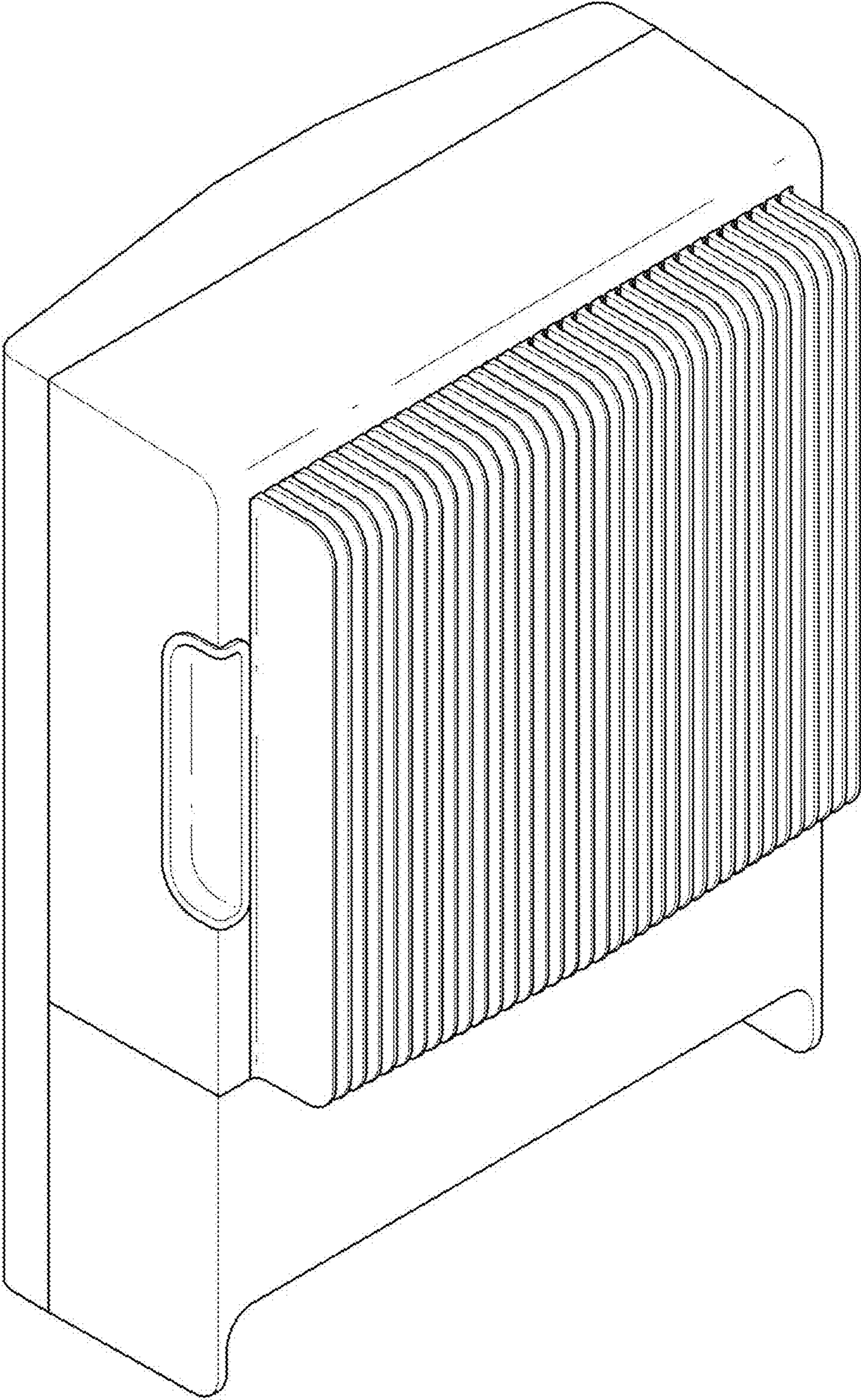
\* cited by examiner

1.1

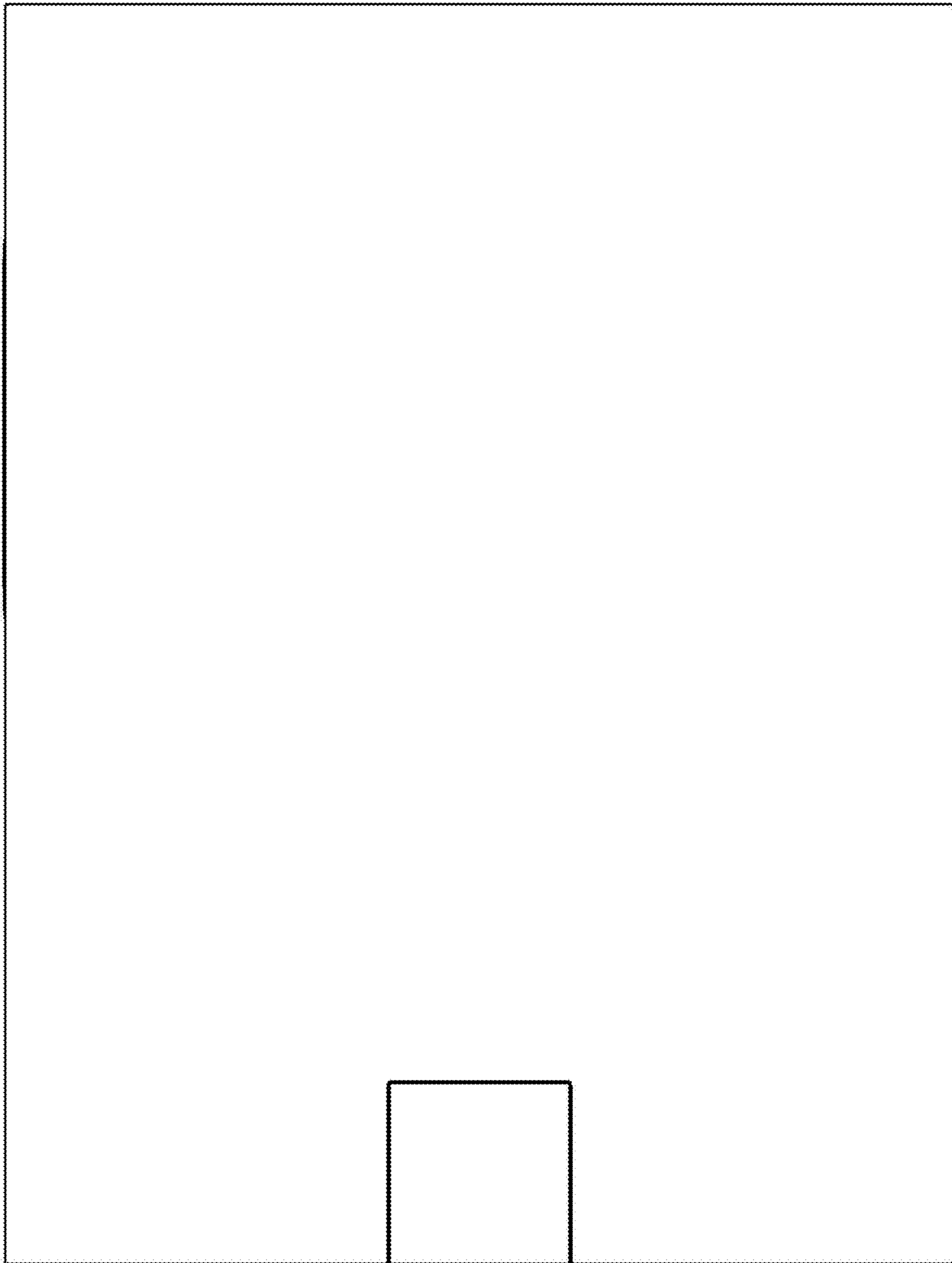




1.2

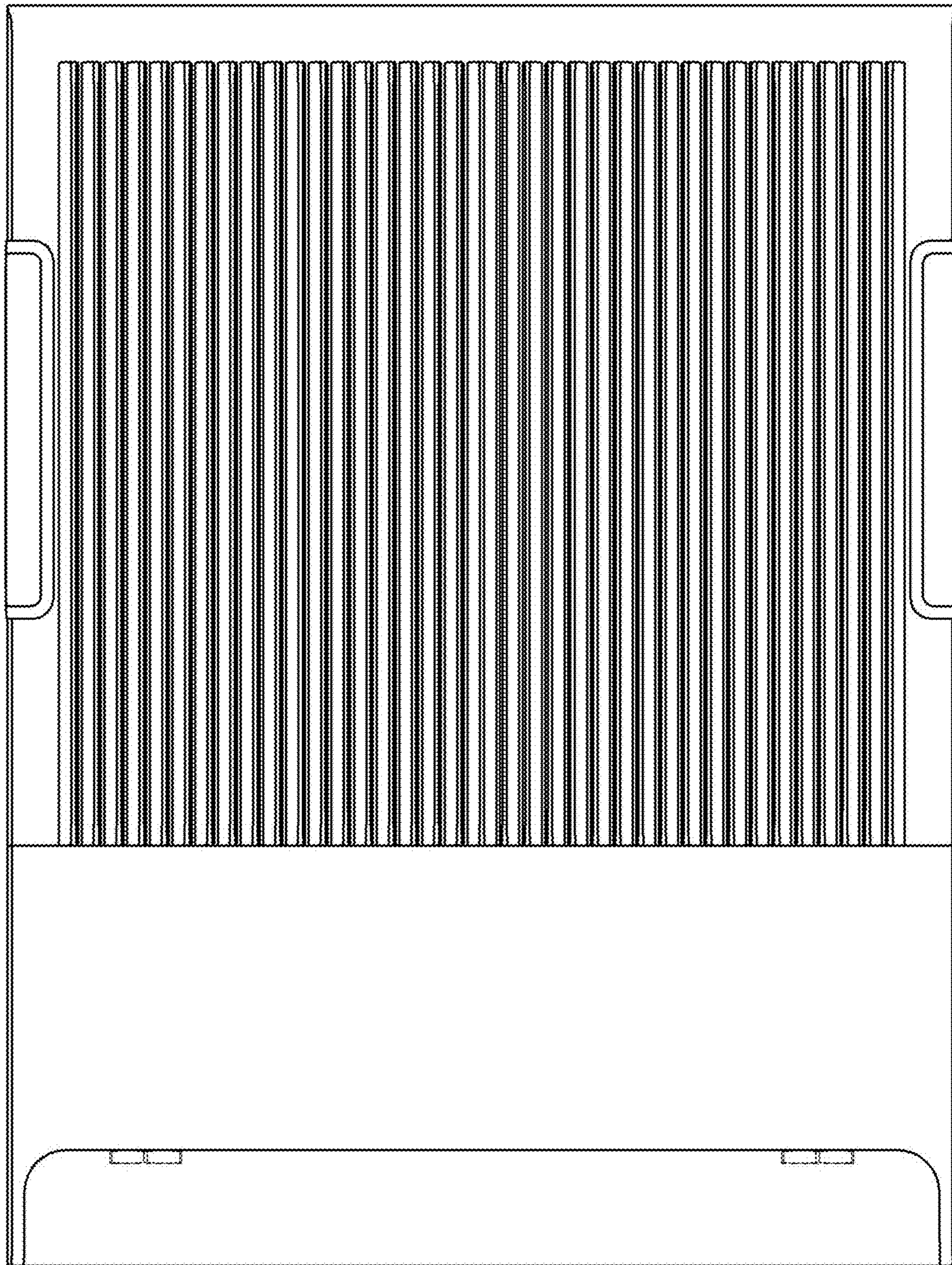


1.3

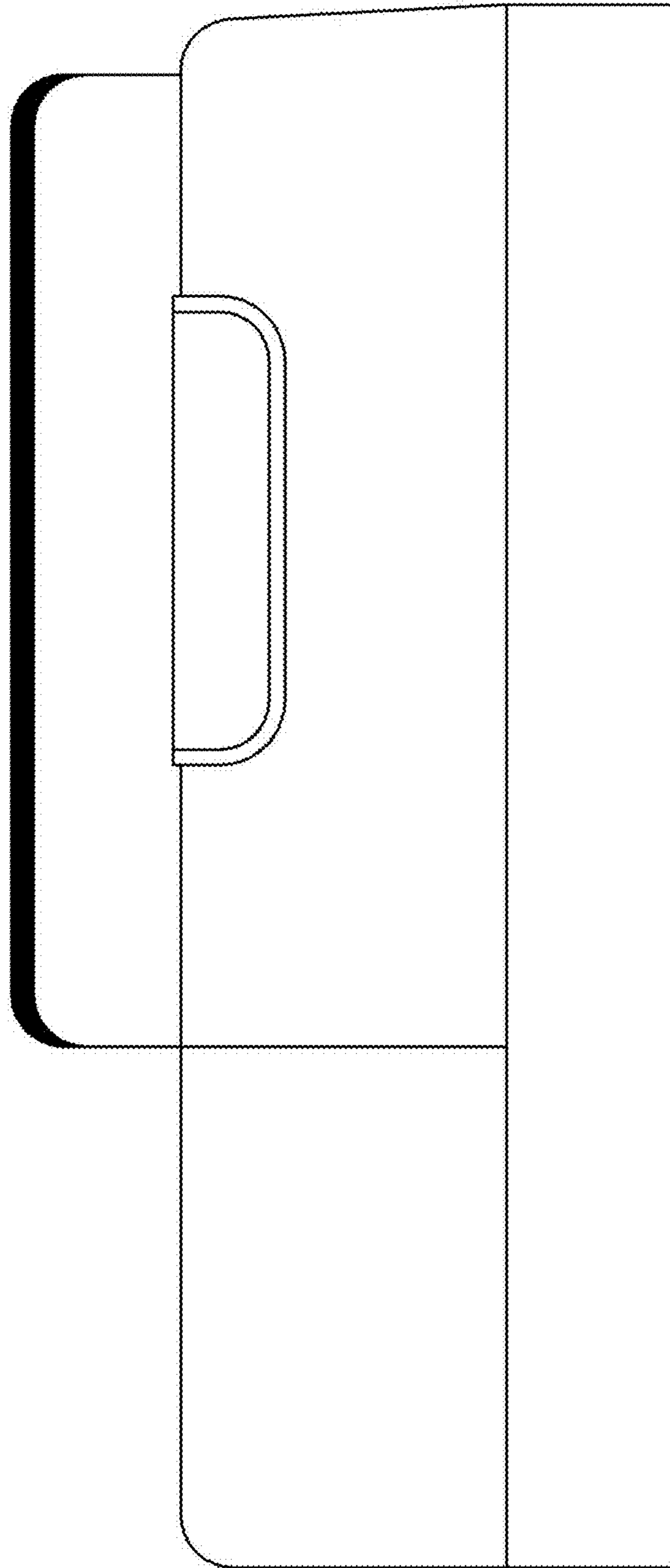




1.4

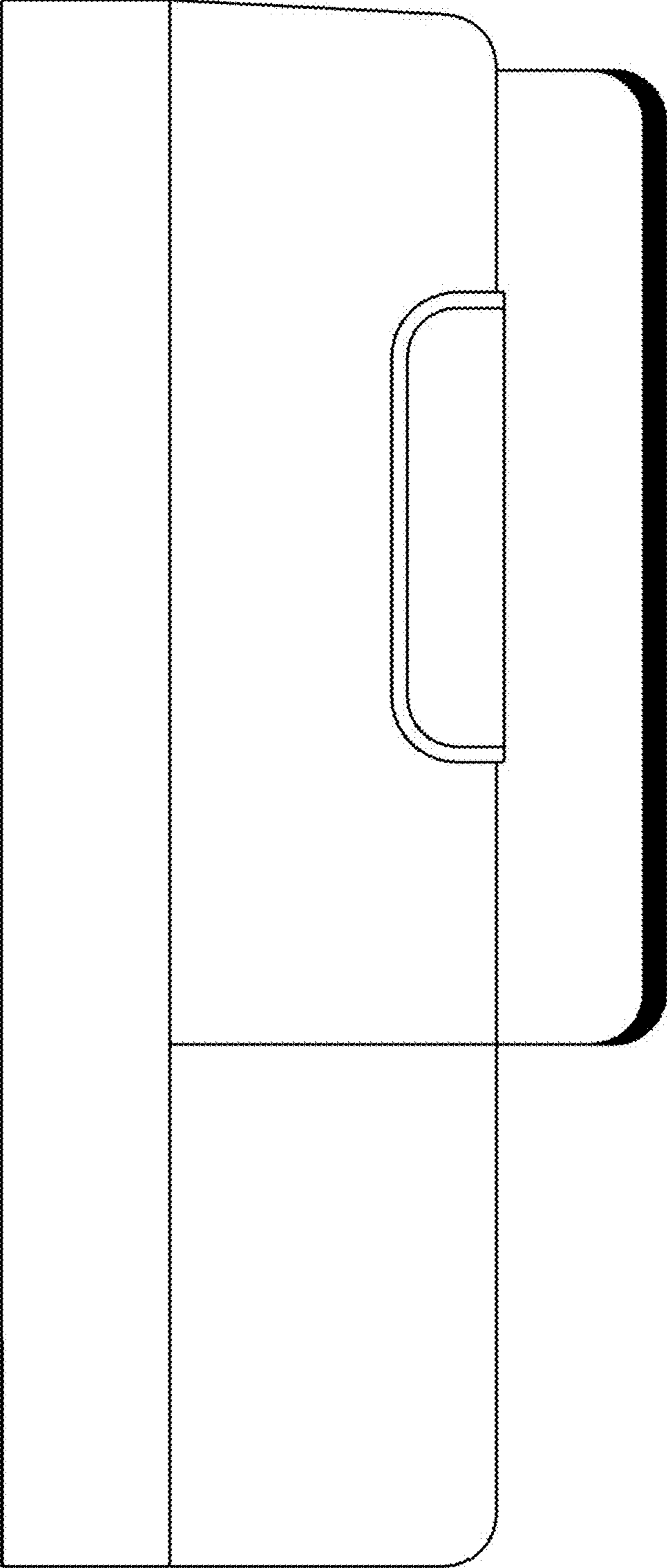


1.5



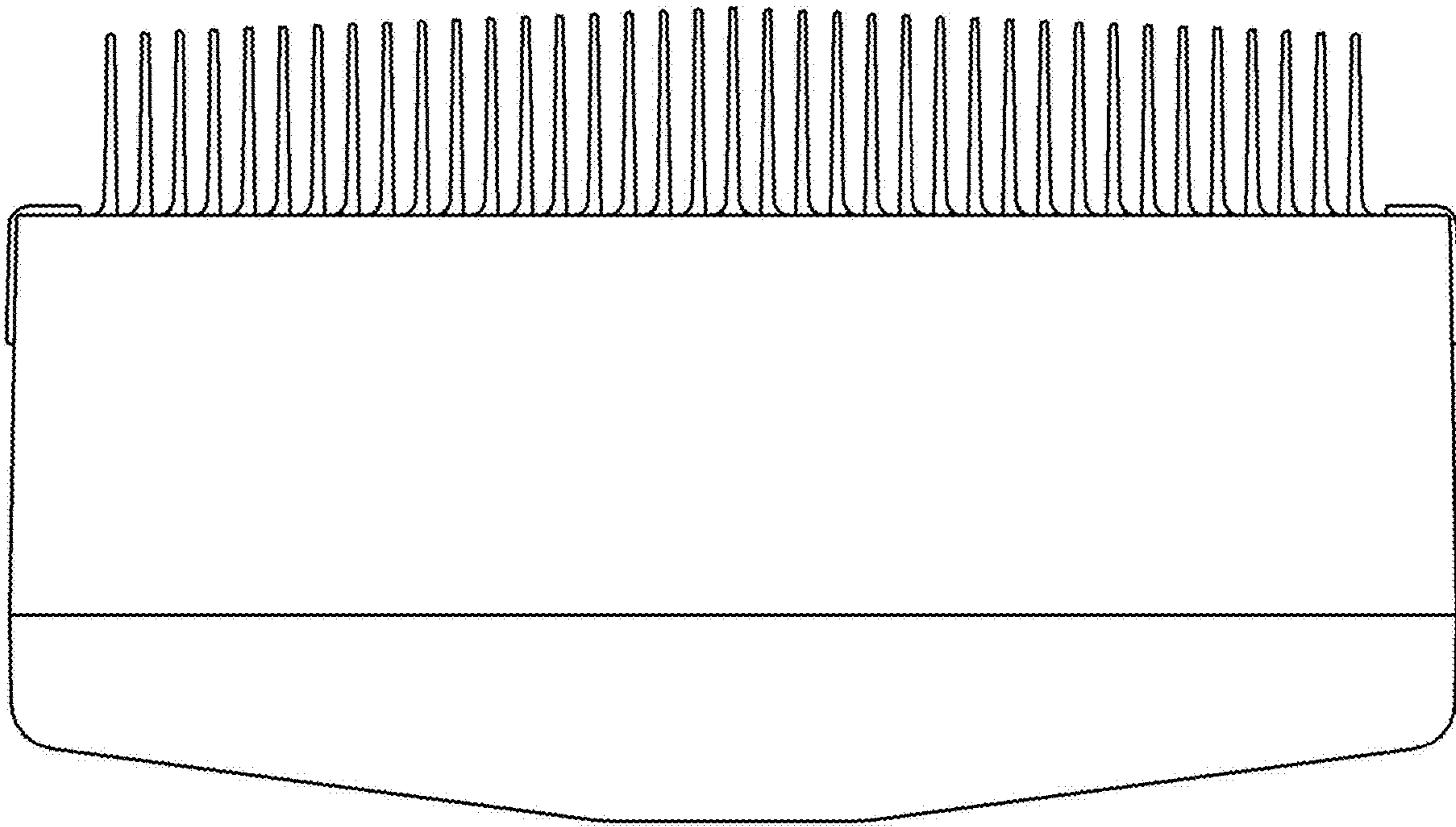


1.6





1.7



1.8

