



US00D913919S

(12) **United States Design Patent**  
**Wang**

(10) **Patent No.:** **US D913,919 S**  
(45) **Date of Patent:** **\*\* Mar. 23, 2021**

(54) **WIRELESS CHARGER**

(71) Applicant: **Yue Wang**, Fuyang (CN)

(72) Inventor: **Yue Wang**, Fuyang (CN)

(\*\*) Term: **15 Years**

(21) Appl. No.: **29/752,475**

(22) Filed: **Sep. 28, 2020**

(51) **LOC (13) Cl.** ..... **13-02**

(52) **U.S. Cl.**  
USPC ..... **D13/108**

(58) **Field of Classification Search**  
USPC ..... D13/103, 107–110, 118–119, 184, 199;  
D14/251, 253, 432, 434  
CPC .. H02J 50/00; H02J 50/10; H02J 50/12; H02J  
50/80; H02J 7/025; H02J 7/005; H02J  
7/0026; H02J 7/0042; H02J 7/0044; H02J  
7/0045; H02J 7/0013; H02J 7/0003; H02J  
50/40; H02J 50/402; H02J 7/007; H02J  
7/0027

See application file for complete search history.

(56) **References Cited**

**U.S. PATENT DOCUMENTS**

D607,817 S *	1/2010	Tan	.....	D13/108
D637,952 S *	5/2011	Tan	.....	D13/108
D772,216 S *	11/2016	Lau	.....	D14/253
D772,812 S *	11/2016	Choe	.....	D13/108
D813,805 S *	3/2018	Zhong	.....	D13/108
D814,413 S *	4/2018	Zhong	.....	D13/108
D845,896 S *	4/2019	Hu	.....	D13/108
D852,134 S *	6/2019	Mei	.....	D13/108
D852,135 S *	6/2019	Mei	.....	D13/108
D870,662 S	12/2019	Schubert et al.		
D872,691 S *	1/2020	Liao	.....	D13/108

D873,215 S	1/2020	Wu		
D873,216 S *	1/2020	Zhang	.....	D13/108
D875,677 S *	2/2020	Shi	.....	D13/108
D881,123 S *	4/2020	Zhang	.....	D13/108
D883,924 S *	5/2020	Chen	.....	D13/108
D884,621 S *	5/2020	Feng	.....	D13/108
D886,056 S *	6/2020	Zhang	.....	D13/108
D886,059 S *	6/2020	Hu	.....	D13/108
D892,046 S *	8/2020	Peng	.....	D13/108
D896,174 S *	9/2020	Li	.....	D13/108
D896,816 S *	9/2020	Qiu	.....	D14/434
D897,953 S *	10/2020	Chen	.....	D13/108
2017/0222680 A1 *	8/2017	Yan	.....	H04B 5/0037

\* cited by examiner

*Primary Examiner* — Rosemary K Tarcza

(74) *Attorney, Agent, or Firm* — HYIP

(57) **CLAIM**

The ornamental design for a wireless charger, as shown and described.

**DESCRIPTION**

FIG. 1 is a first perspective view of a wireless charger showing my design;

FIG. 2 is a second perspective view thereof;

FIG. 3 is a front view thereof;

FIG. 4 is a back view thereof;

FIG. 5 is a left side view thereof;

FIG. 6 is a right side view thereof;

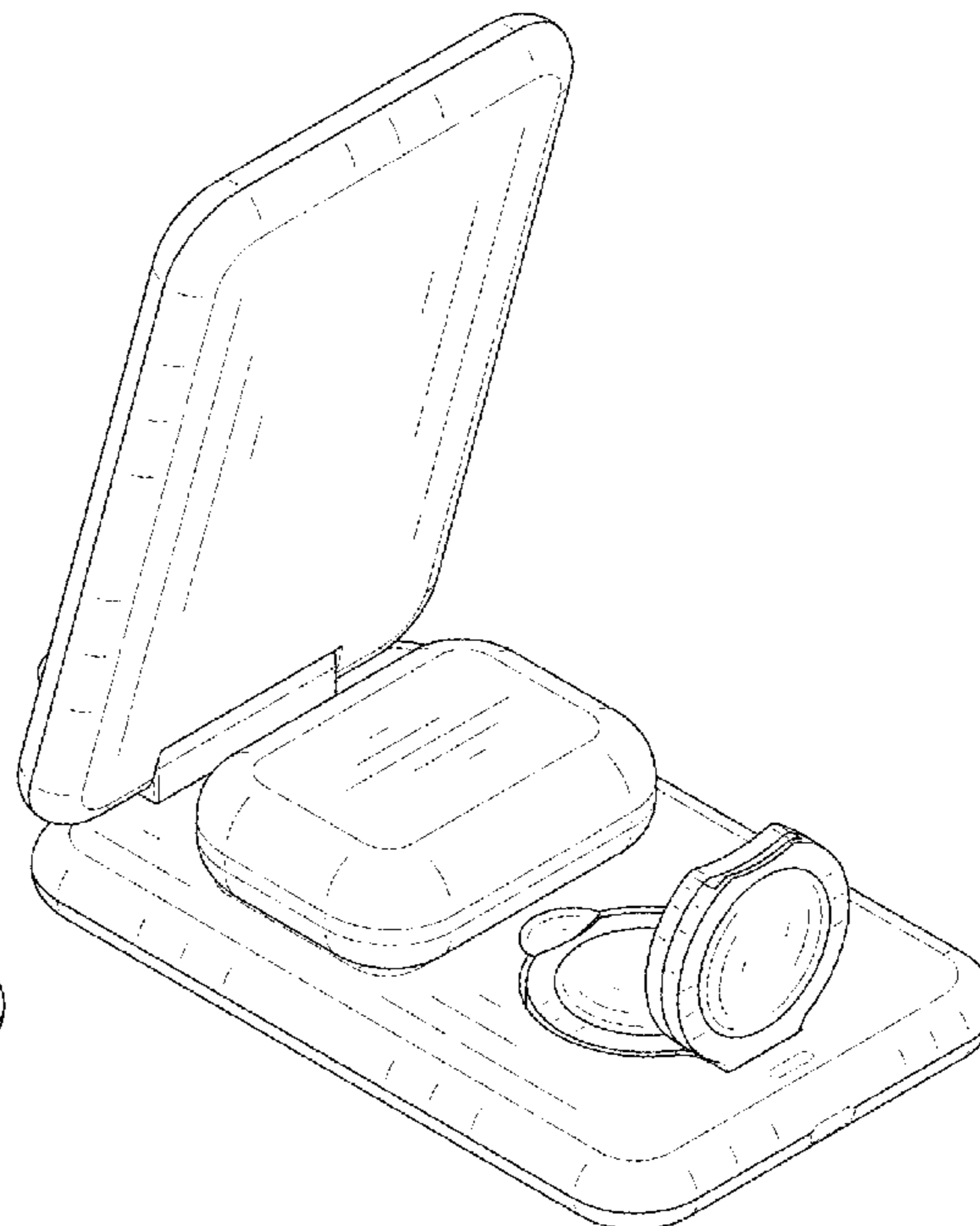
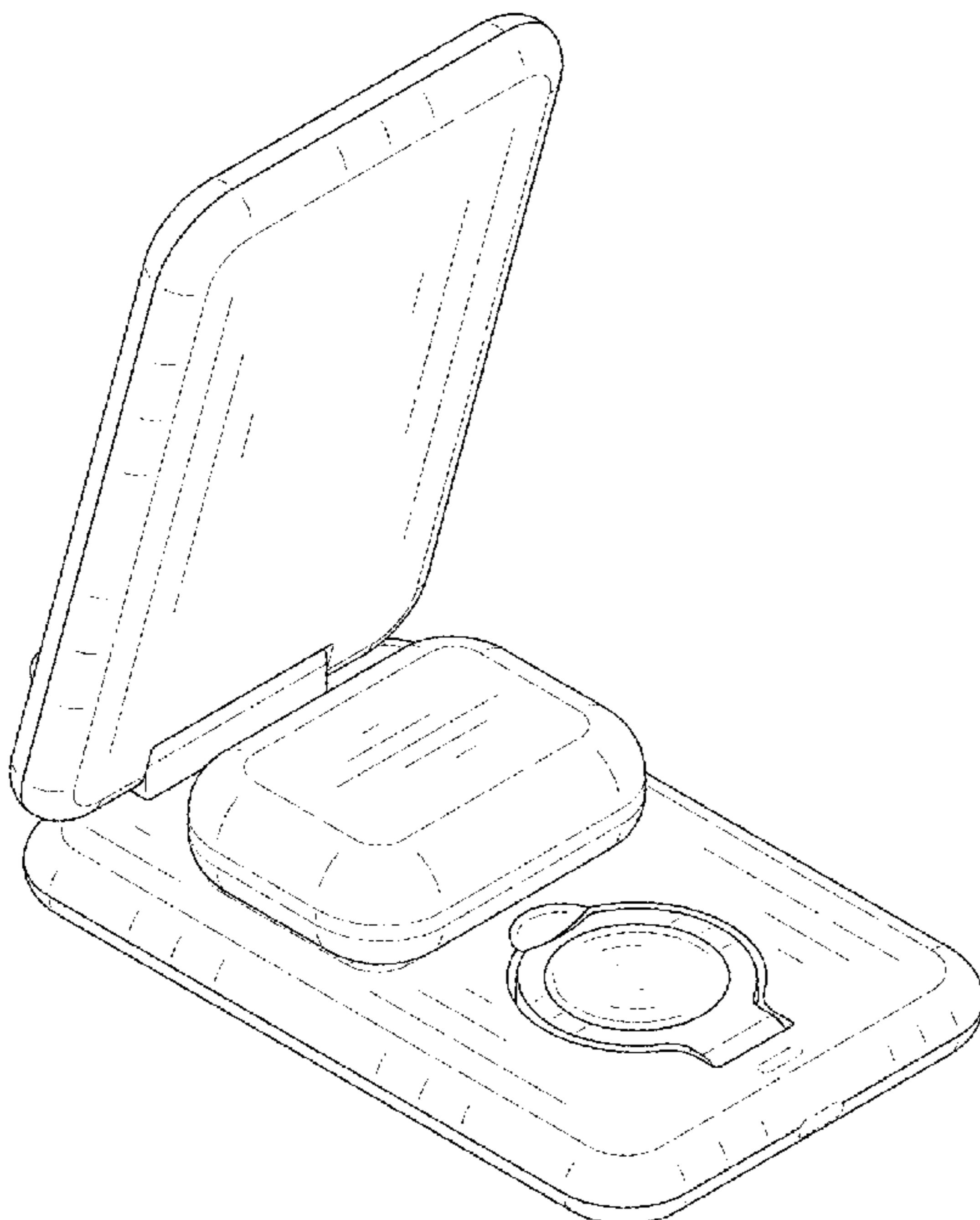
FIG. 7 is a top view thereof;

FIG. 8 is a bottom view thereof; and,

FIG. 9 is a perspective view of another state of the wireless charger thereof.

The broken lines shown in the drawings depict portions of the wireless charger in which the design is embodied that form no part of the claimed design.

**1 Claim, 9 Drawing Sheets**



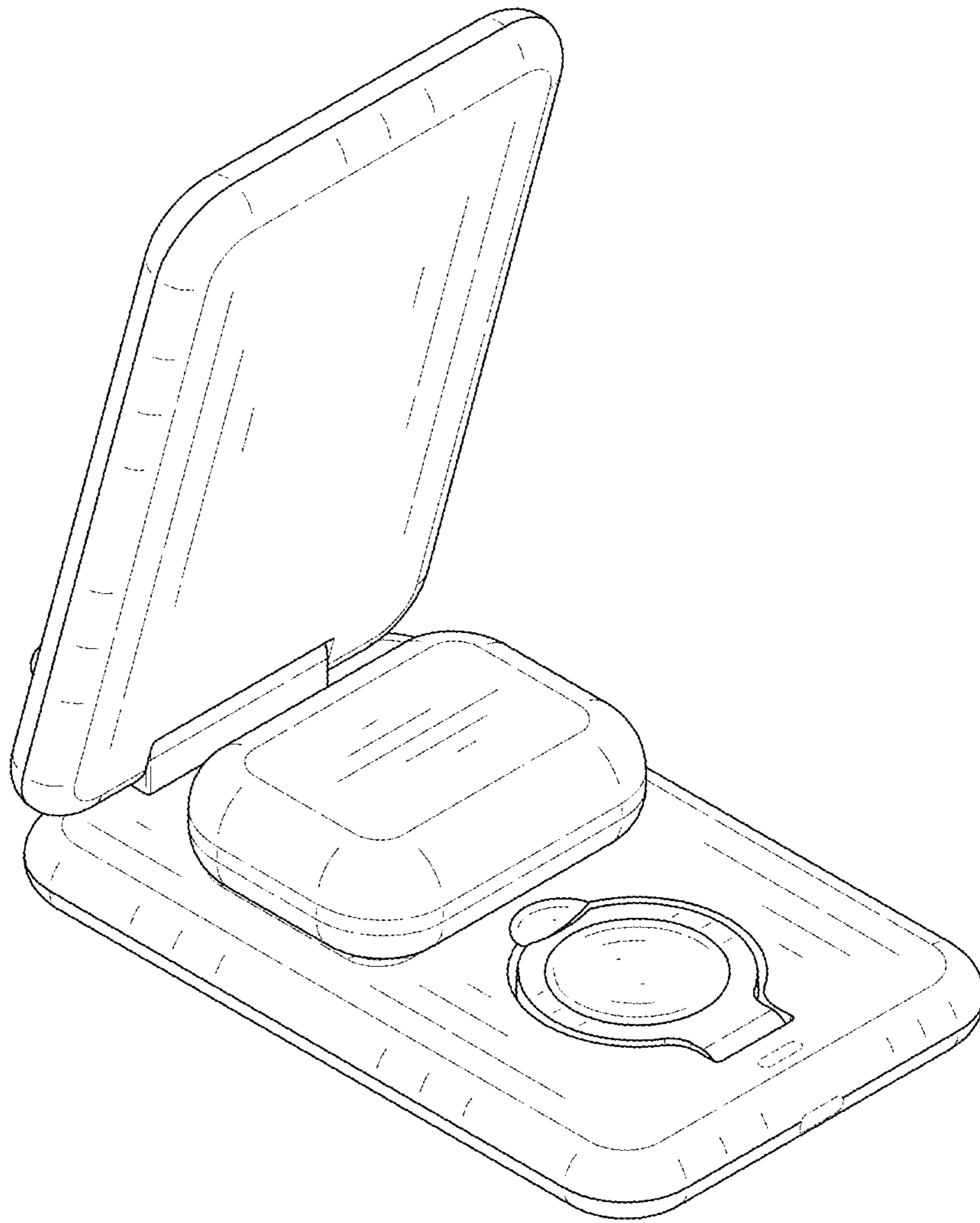


FIG. 1

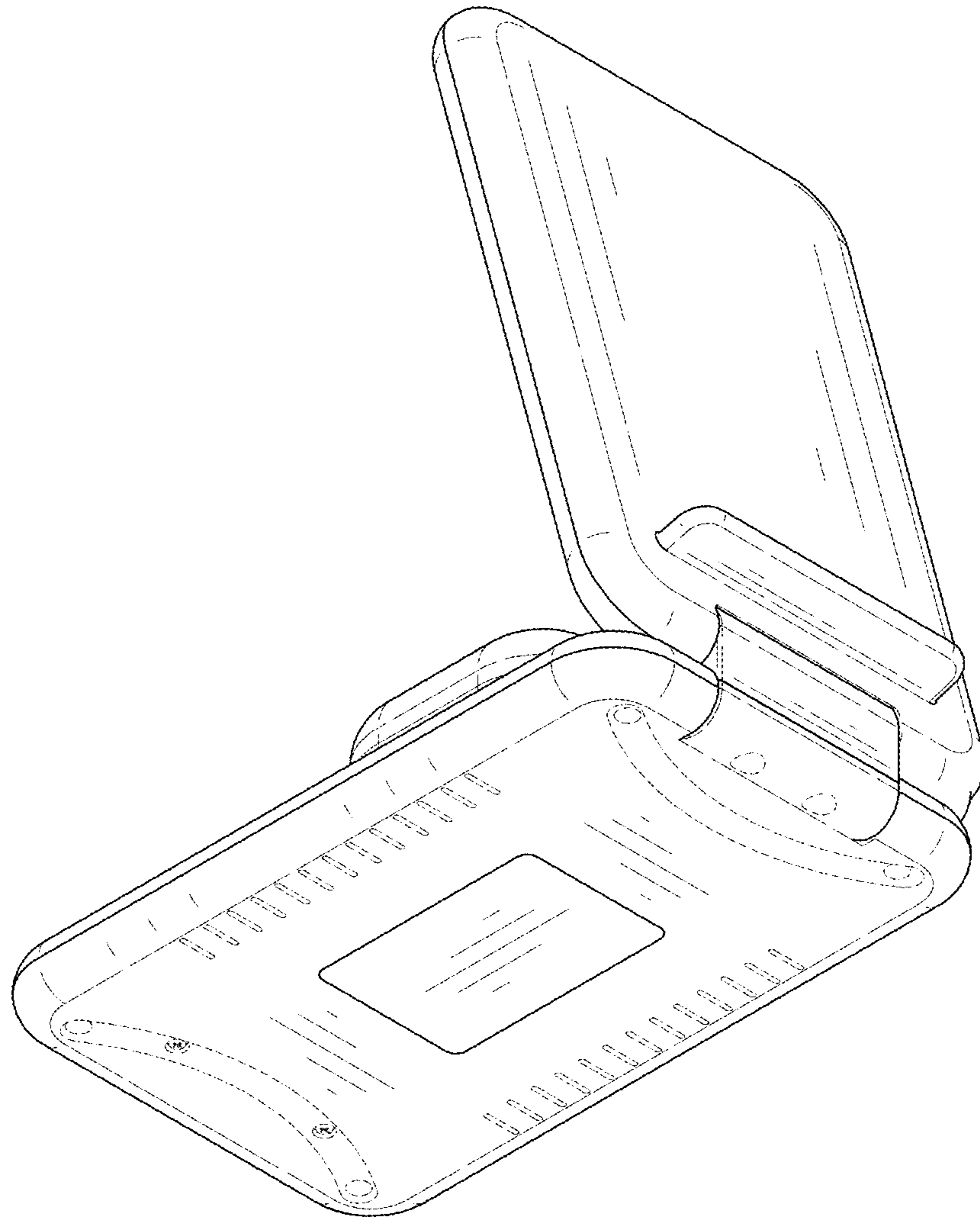


FIG. 2

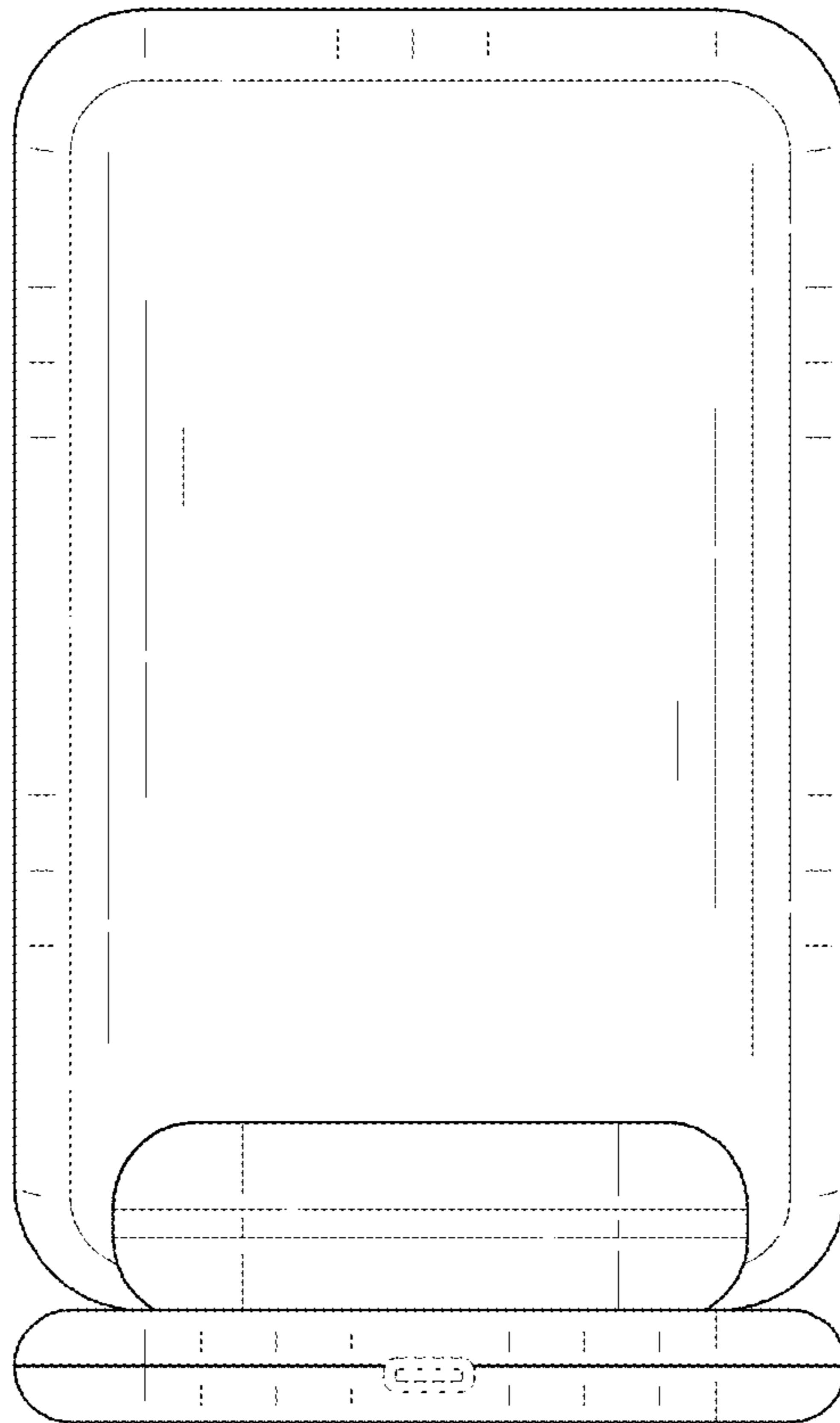


FIG. 3

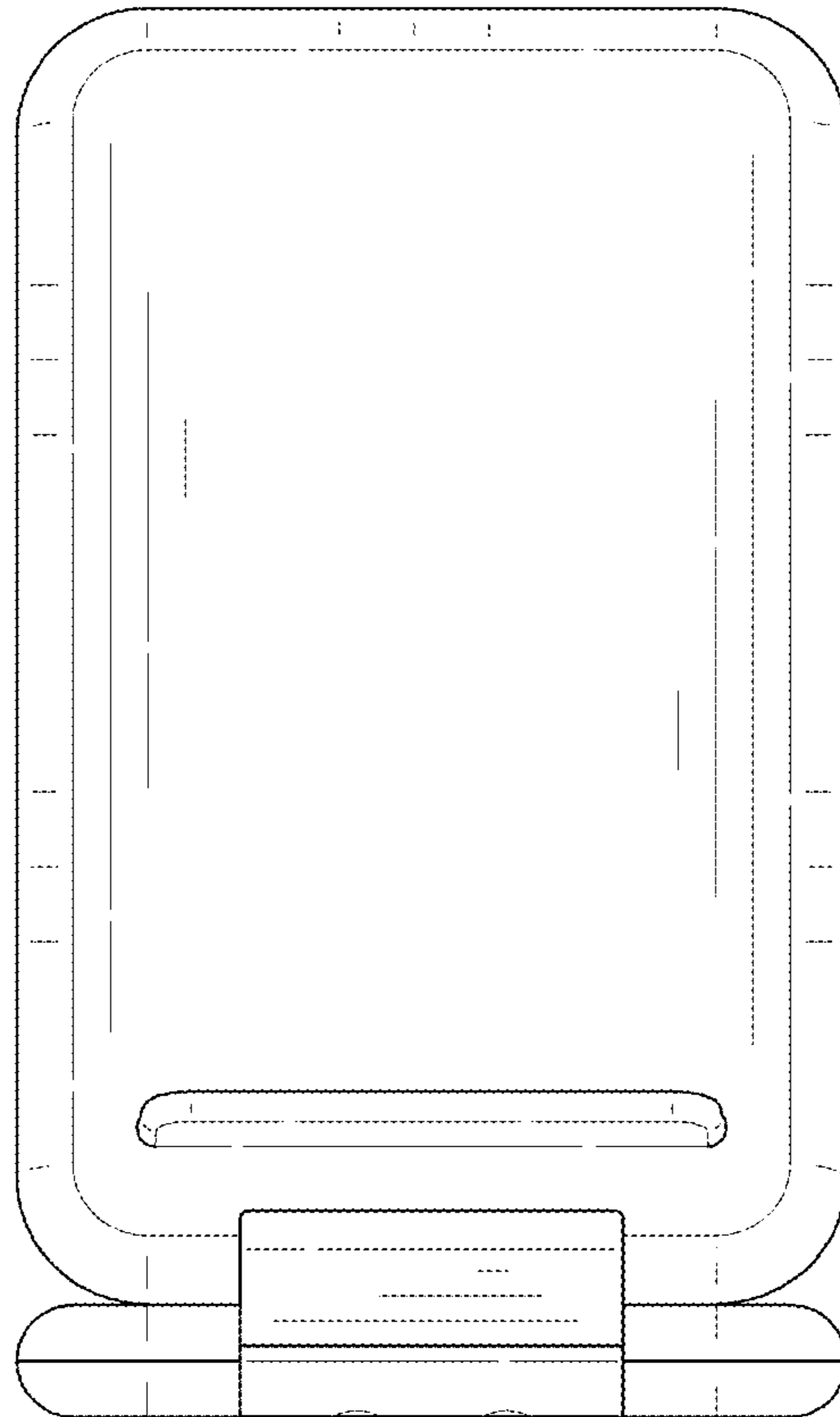


FIG. 4

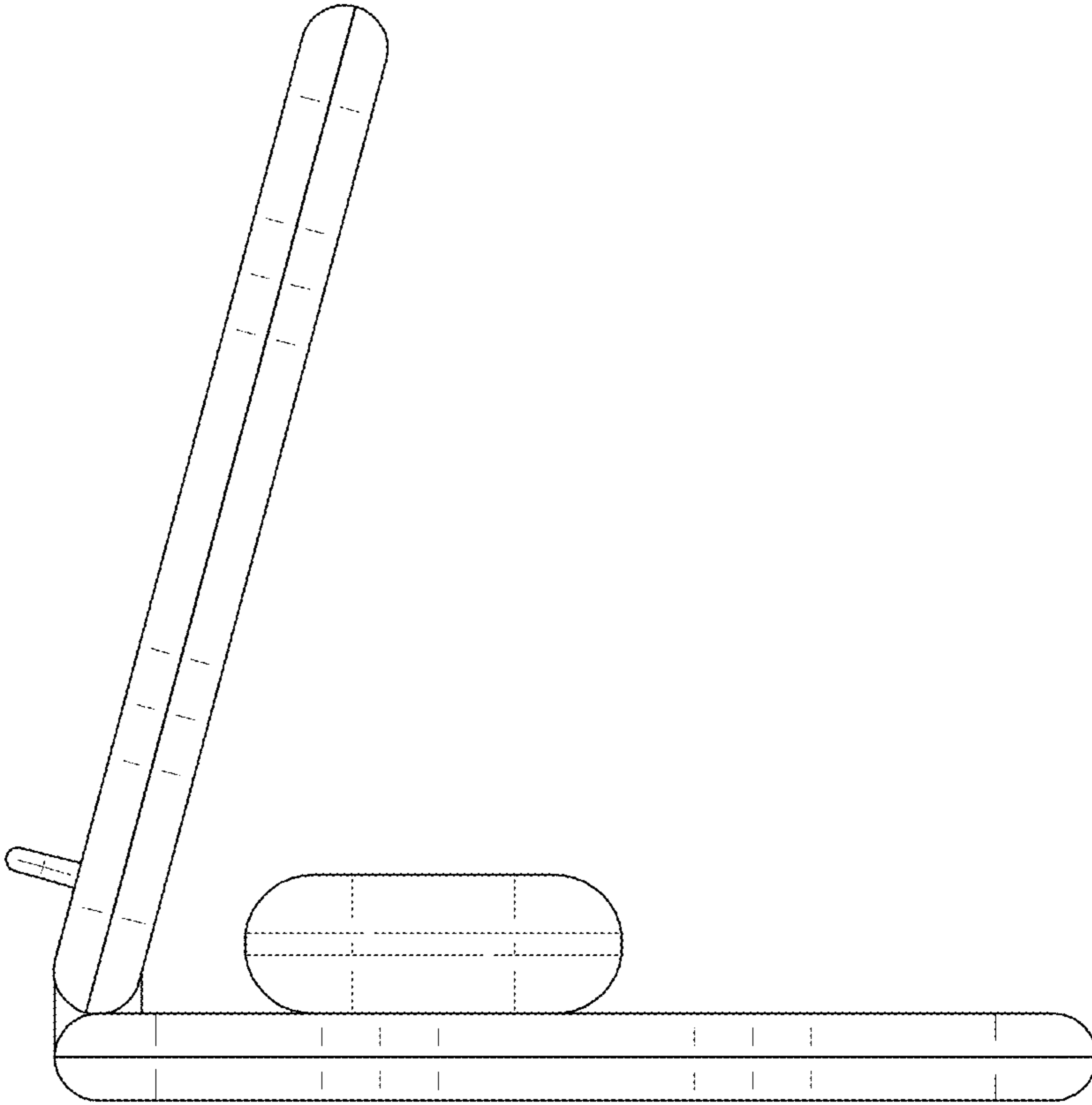


FIG. 5

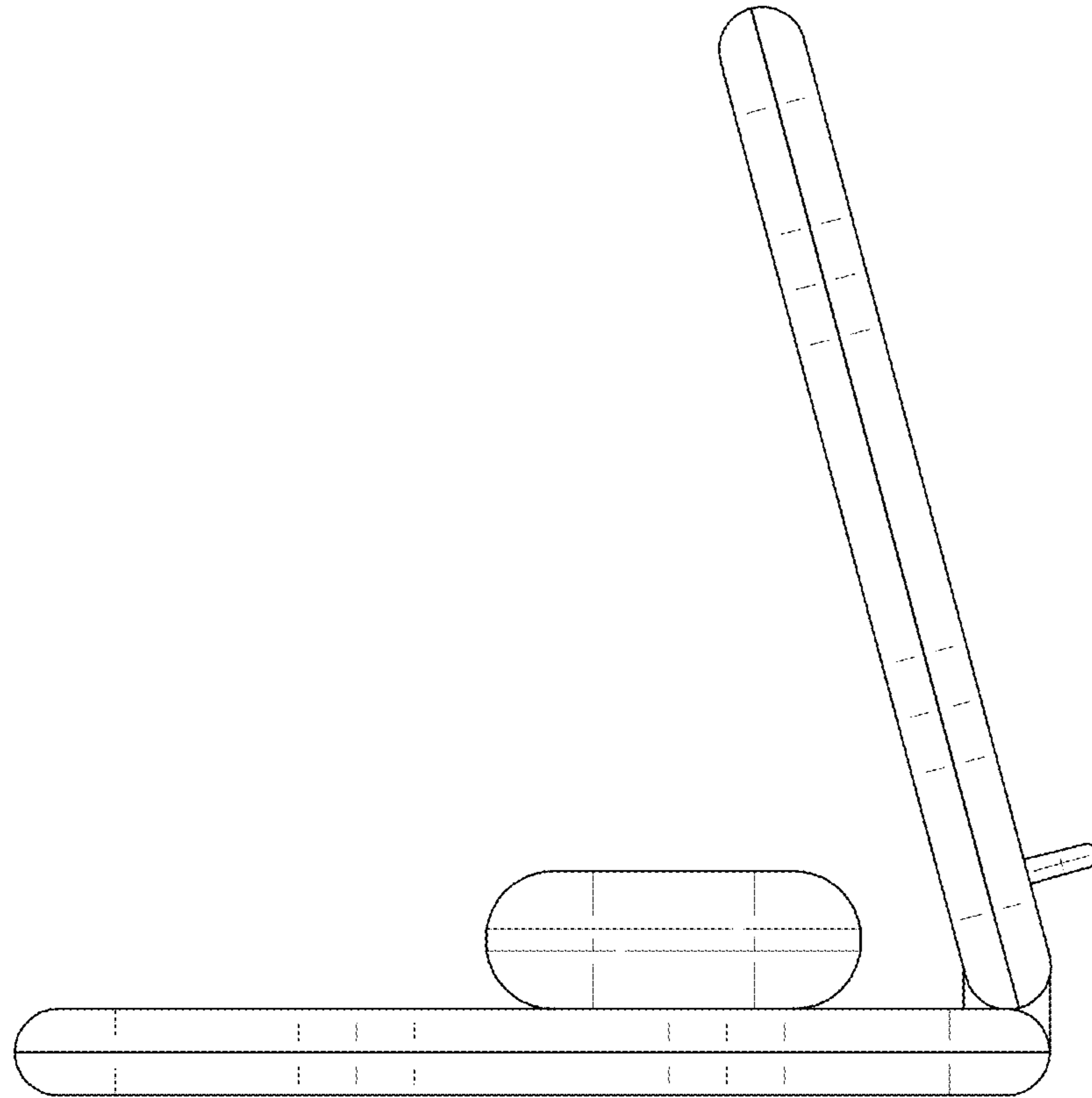


FIG. 6

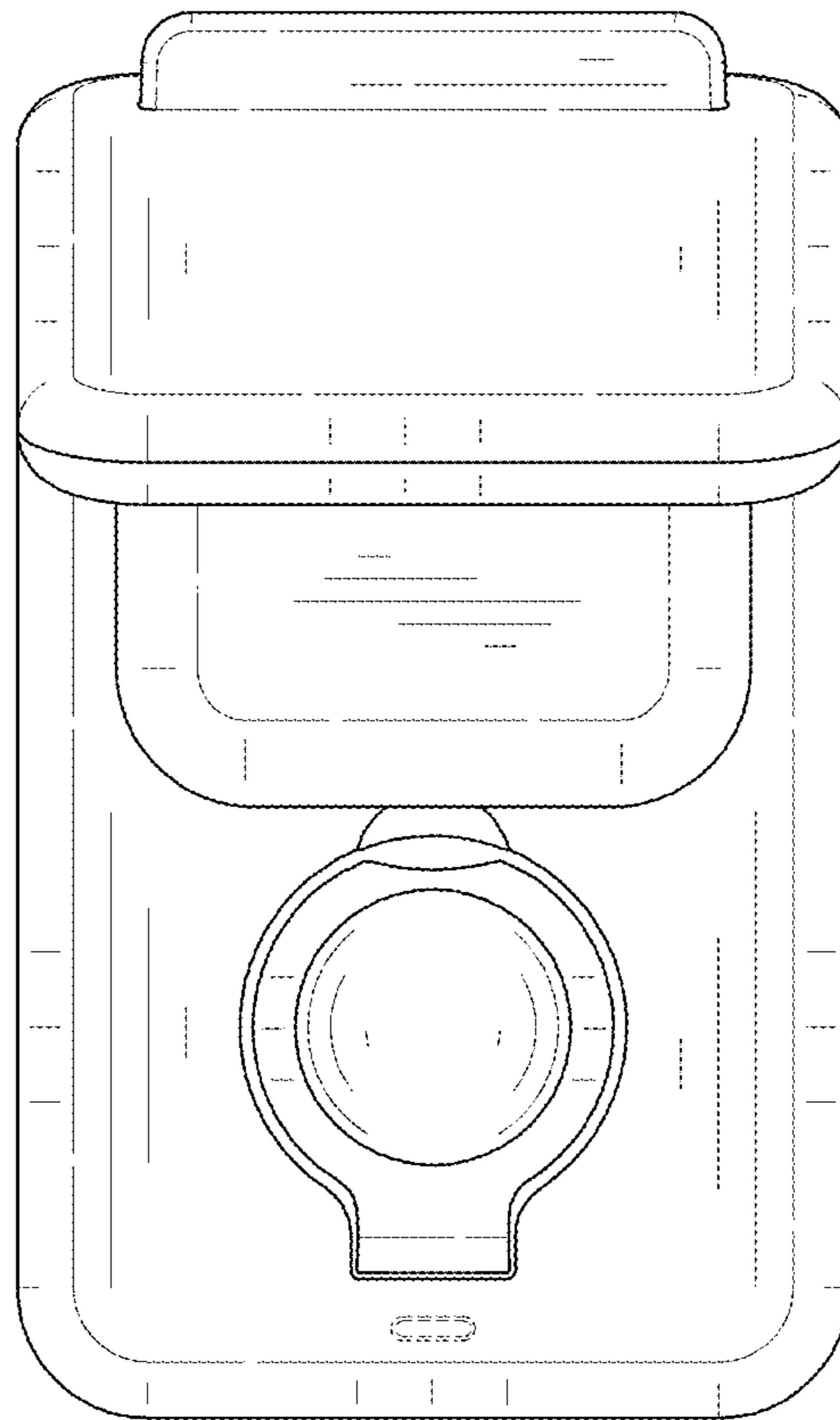


FIG. 7



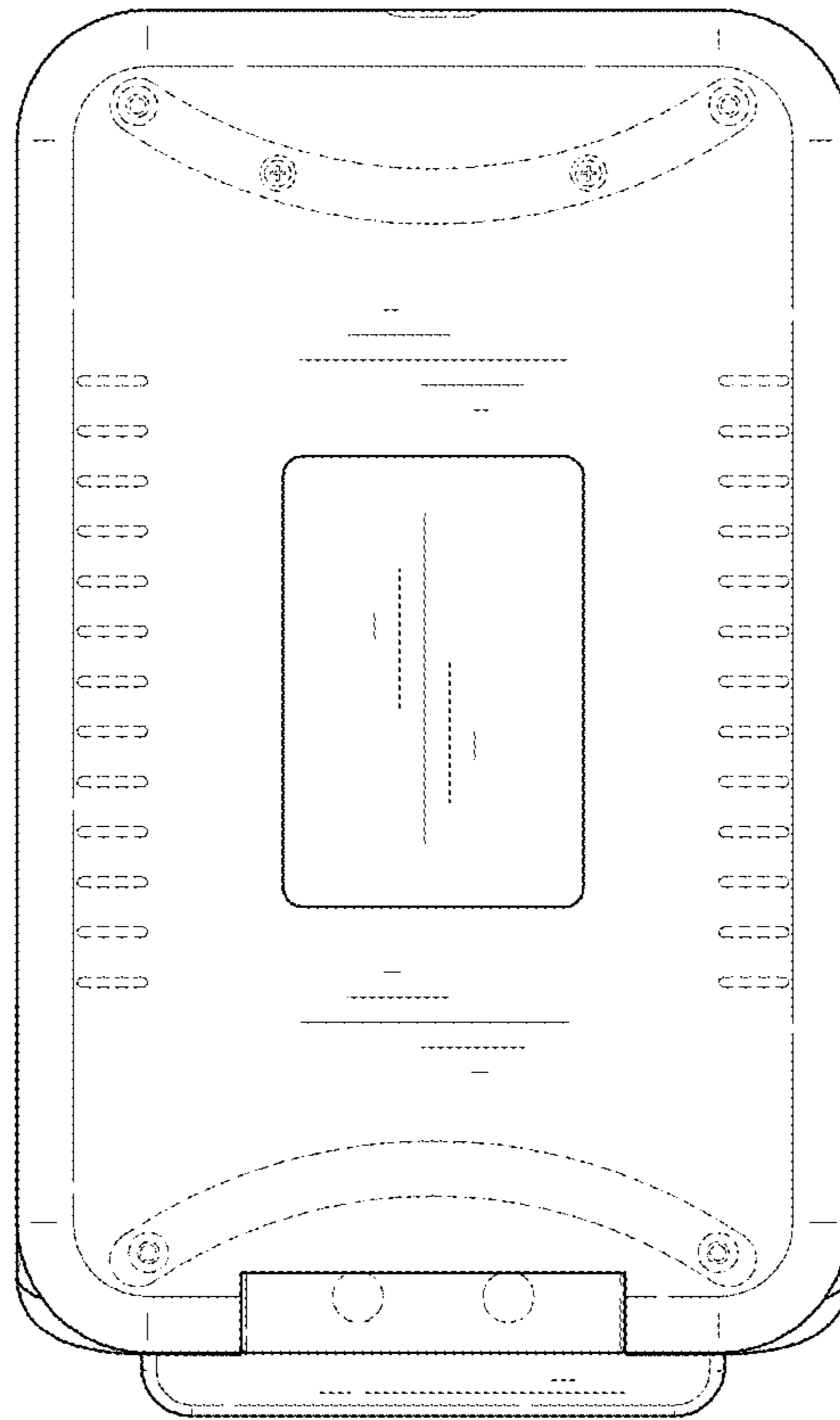


FIG. 8

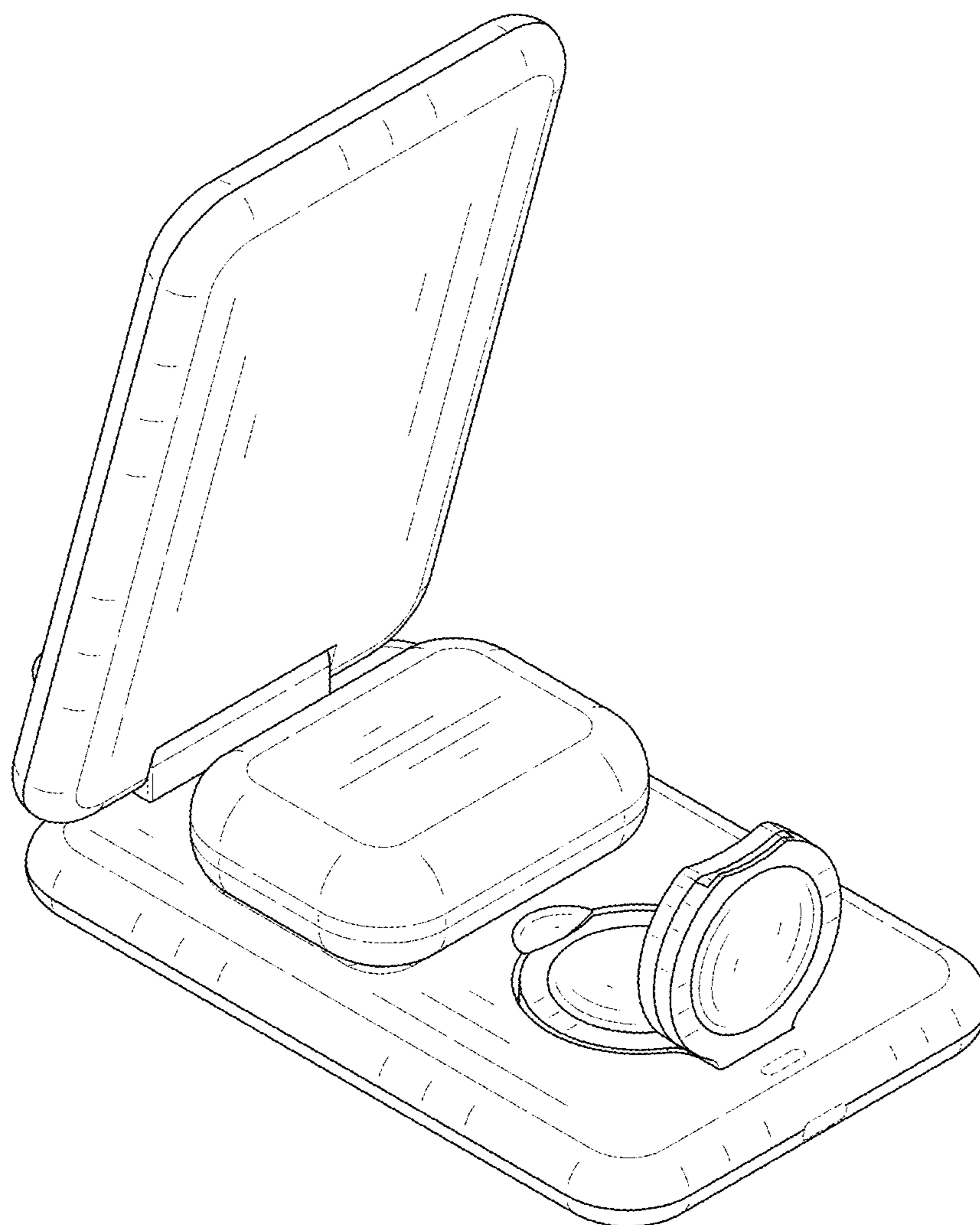


FIG. 9