



US00D913915S

(12) **United States Design Patent**
Park et al.

(10) **Patent No.:** **US D913,915 S**

(45) **Date of Patent:** **** Mar. 23, 2021**

(54) **FRONT COVER FOR BATTERY MODULE**

(71) Applicant: **LG Chem, Ltd.**, Seoul (KR)

(72) Inventors: **Do-Hyun Park**, Daejeon (KR);
Jung-Min Kwak, Daejeon (KR);
Young-Ho Lee, Daejeon (KR);
Jong-Ha Jeong, Daejeon (KR)

(73) Assignee: **LG Chem, Ltd.**

(**) Term: **15 Years**

(21) Appl. No.: **29/696,126**

(22) Filed: **Jun. 25, 2019**

(30) **Foreign Application Priority Data**

Dec. 26, 2018 (KR) 30-2018-0061674

(51) **LOC (13) Cl.** **13-02**

(52) **U.S. Cl.**
USPC **D13/103**

(58) **Field of Classification Search**
USPC D13/110, 103, 104, 133, 108, 107, 144,
D13/146, 149, 119, 184, 123, 153, 155,
D13/156, 199
CPC H01M 2/206; H01M 2/34; H01R 13/447;
H01R 13/506
See application file for complete search history.

(56) **References Cited**

U.S. PATENT DOCUMENTS

D264,961 S * 6/1982 Oxenreider 429/163
D292,576 S * 11/1987 Kump D13/106
D310,821 S * 9/1990 Hulsebus D13/104

D445,761 S * 7/2001 Weng D13/110
D458,900 S * 6/2002 Carter D13/104
D623,127 S * 9/2010 Seyama D13/104
D731,426 S * 6/2015 Hong D13/119
D806,646 S * 1/2018 DeKeuster D13/103
D810,683 S * 2/2018 Dekeuster D13/119
10,096,867 B2 * 10/2018 Lee H01M 2/10
D836,548 S * 12/2018 Jauhonen D13/110
D837,154 S * 1/2019 Stravets D13/110
D879,032 S * 3/2020 Yang D13/103
D879,033 S * 3/2020 Yoon D13/103
2014/0087221 A1 * 3/2014 Kim H01M 2/206
429/90
2014/0311768 A1 * 10/2014 Takishita H01M 2/1072
174/66

* cited by examiner

Primary Examiner — Jennifer O King

(74) *Attorney, Agent, or Firm* — Lerner, David,
Littenberg, Krumholz & Mentlik, LLP

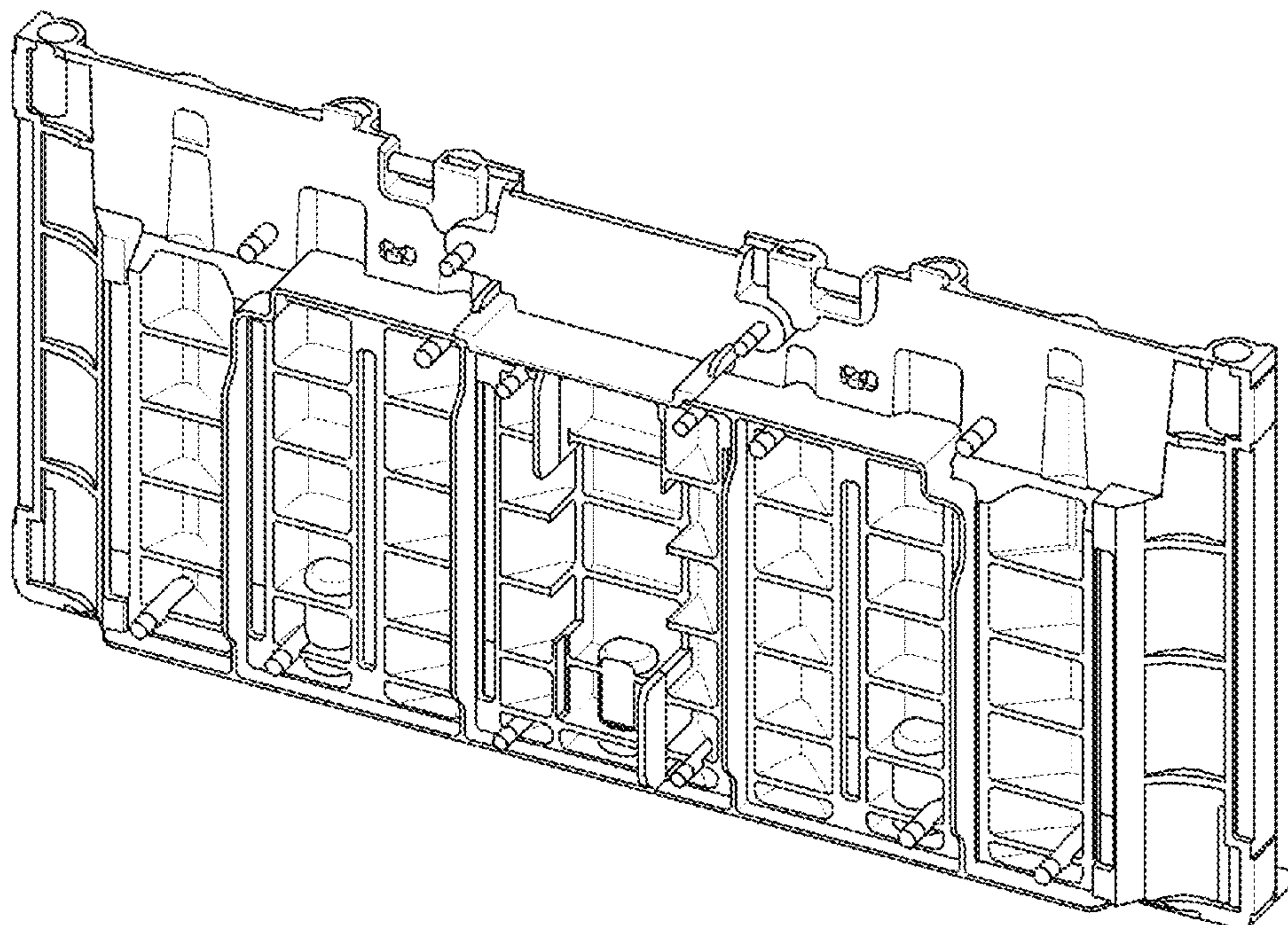
(57) **CLAIM**

The ornamental design for a front cover for battery module,
as shown and described.

DESCRIPTION

FIG. 1 is a front perspective view of a front cover for battery module according to our design;
FIG. 2 is a front view thereof;
FIG. 3 is a rear view thereof;
FIG. 4 is a left side view thereof;
FIG. 5 is a right side view thereof;
FIG. 6 is a top view thereof;
FIG. 7 is a bottom view thereof; and,
FIG. 8 is a rear perspective view thereof.
Thin lines depicted in the drawings are to give a cubic effect.

1 Claim, 8 Drawing Sheets



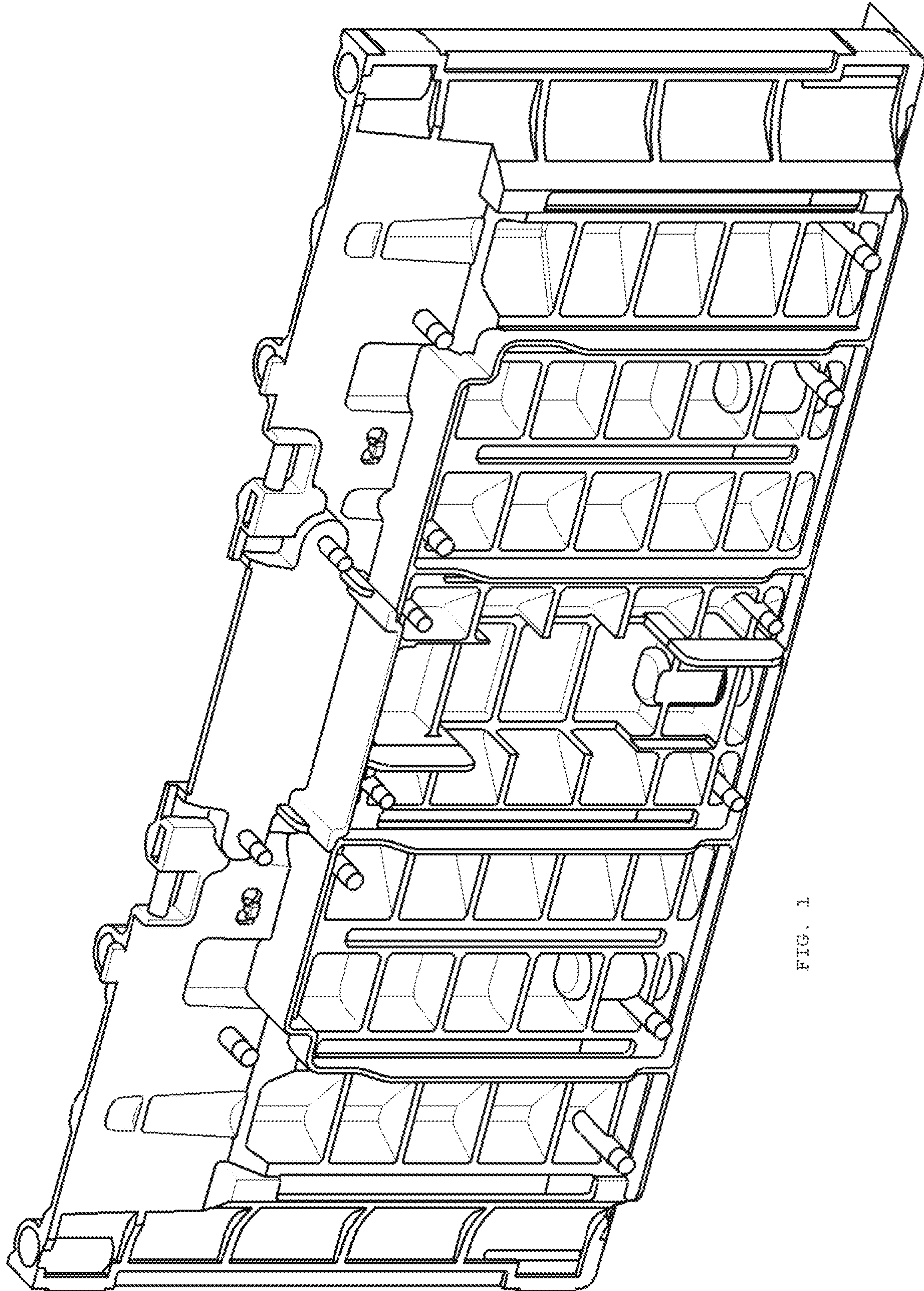


FIG. 1

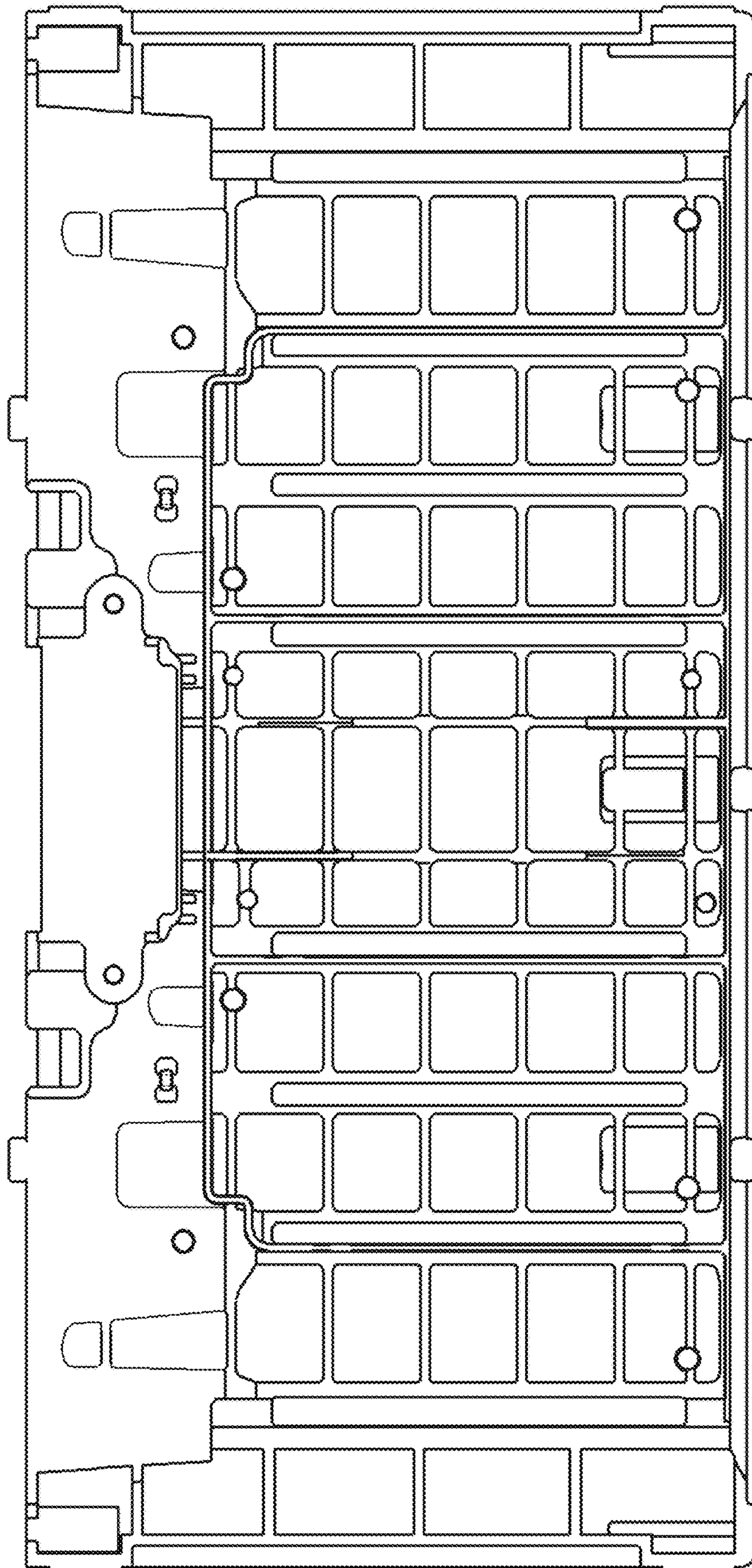


FIG. 2

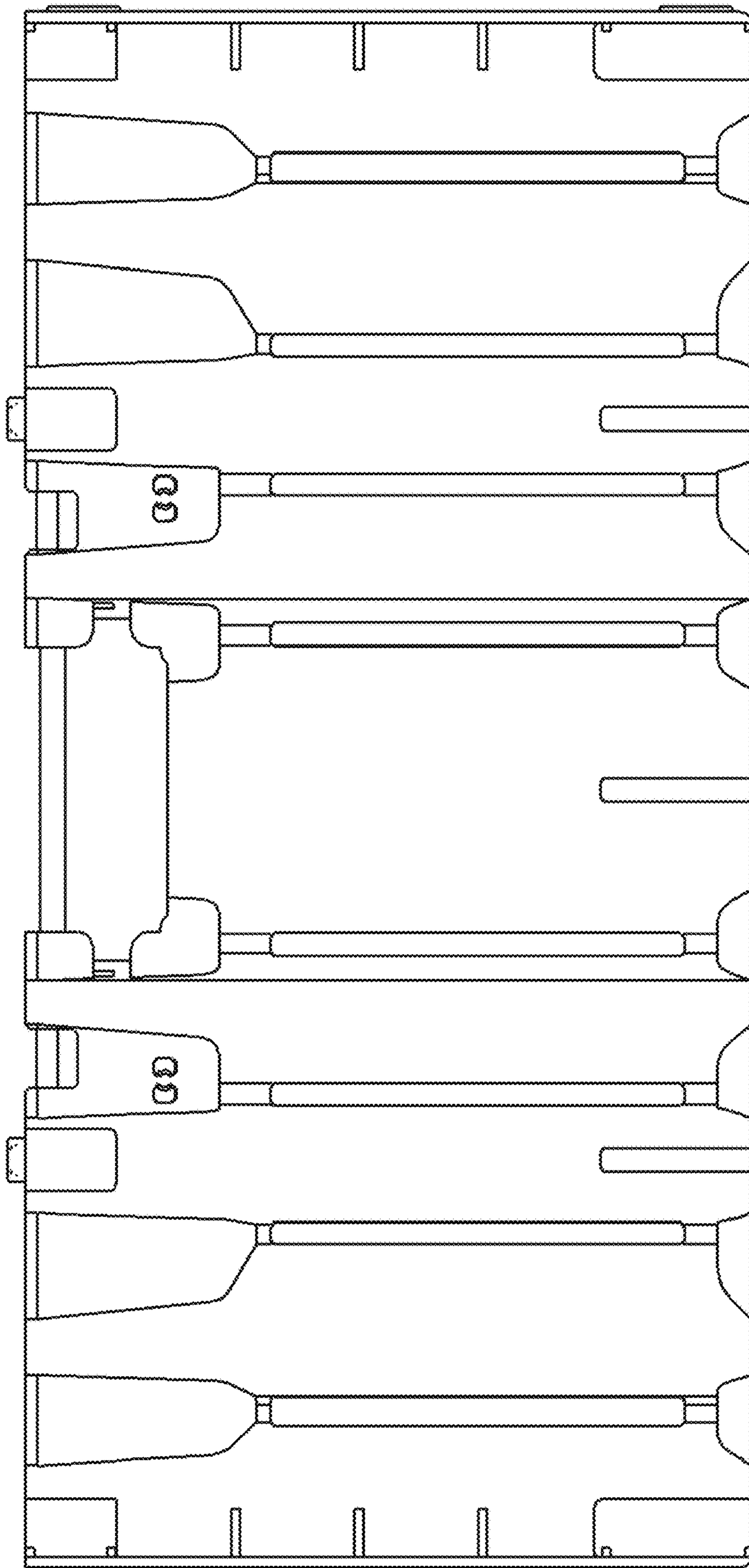
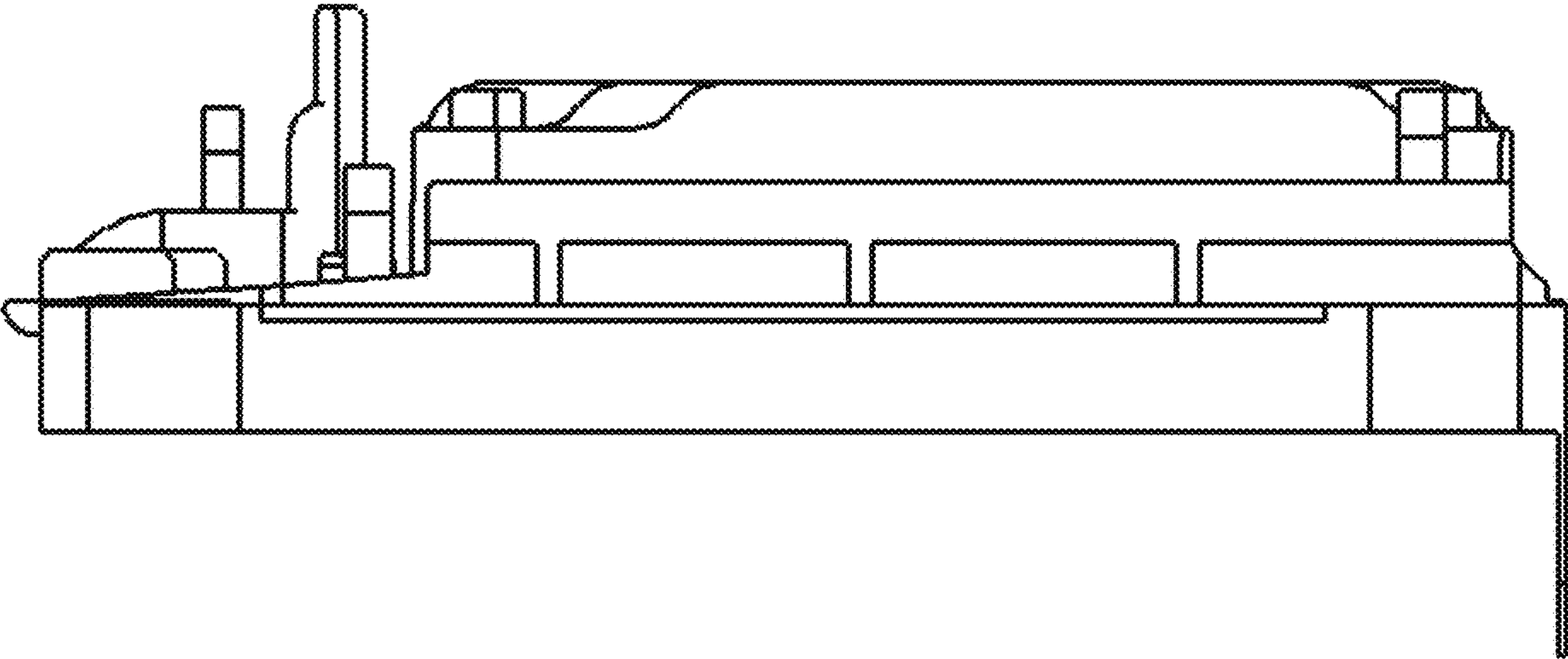


FIG. 3

FIG. 4



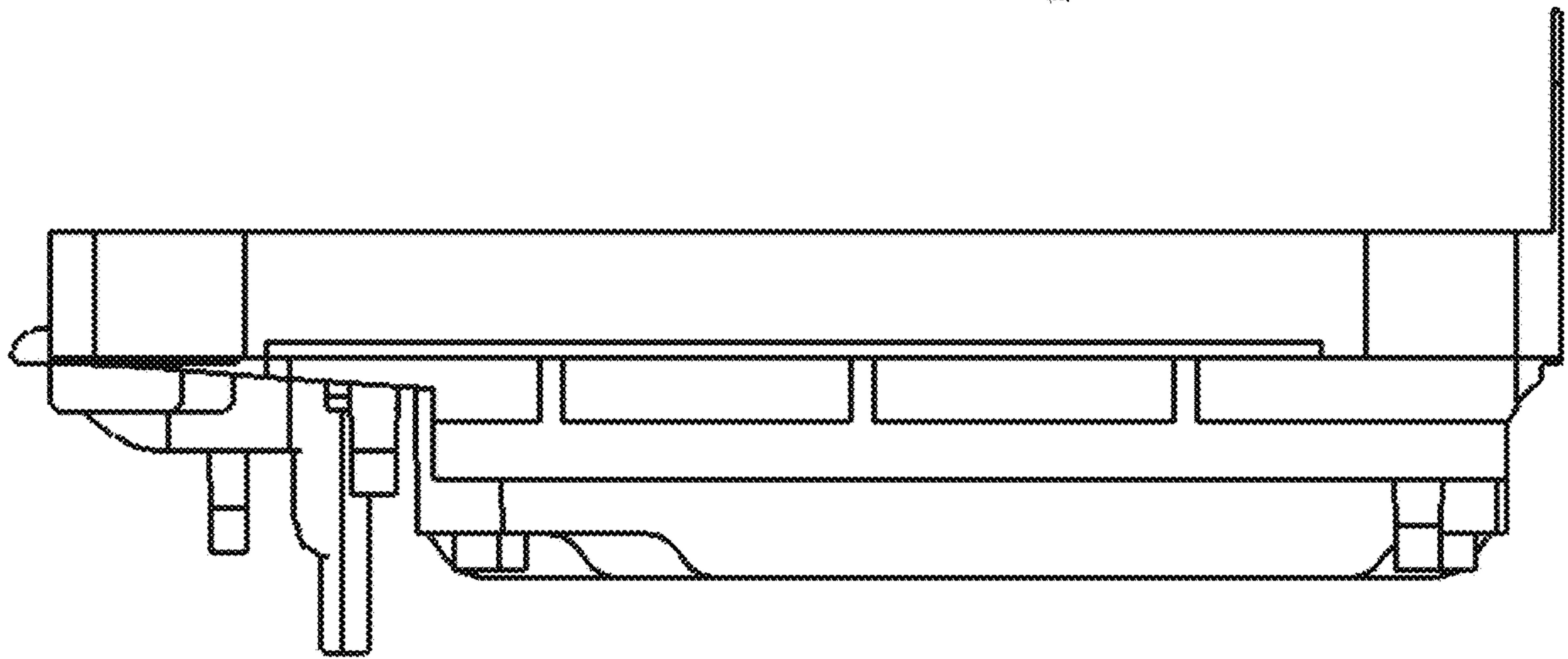


FIG. 5

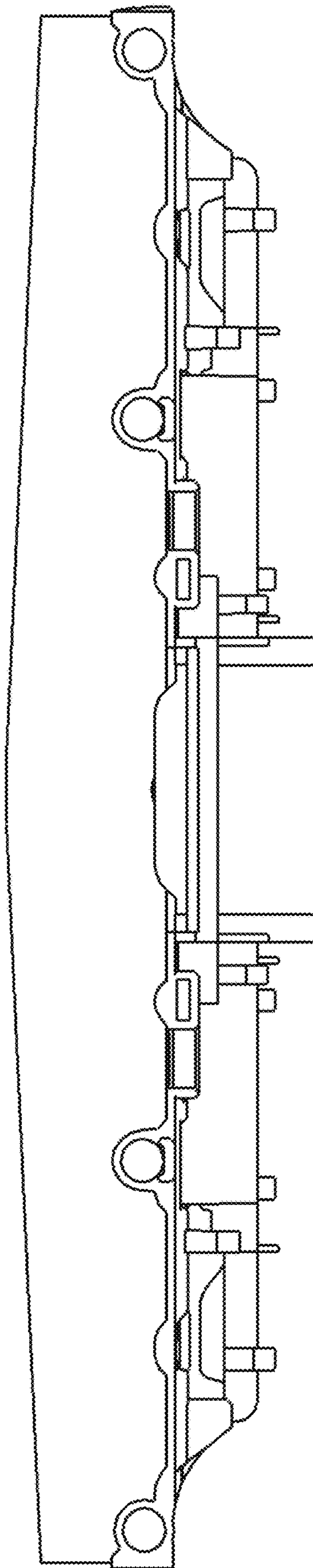


FIG. 6

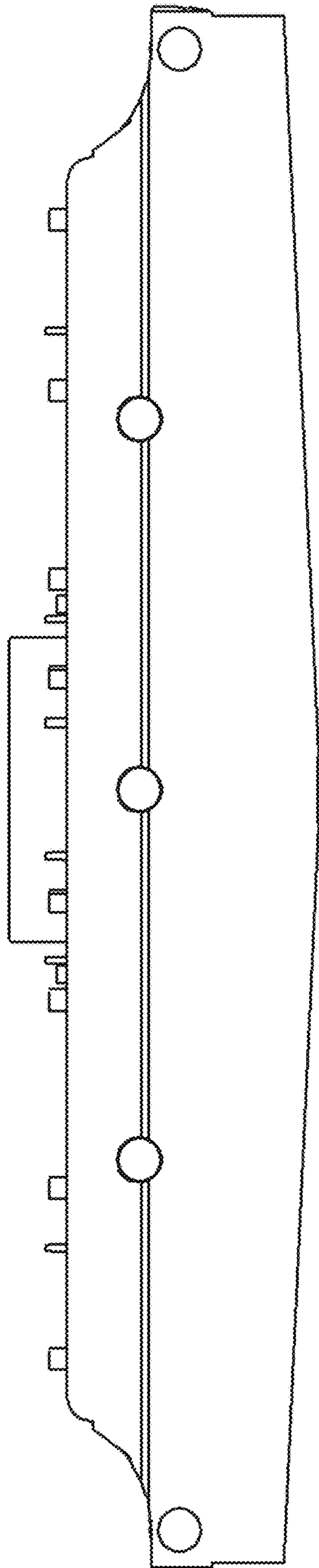


FIG. 7

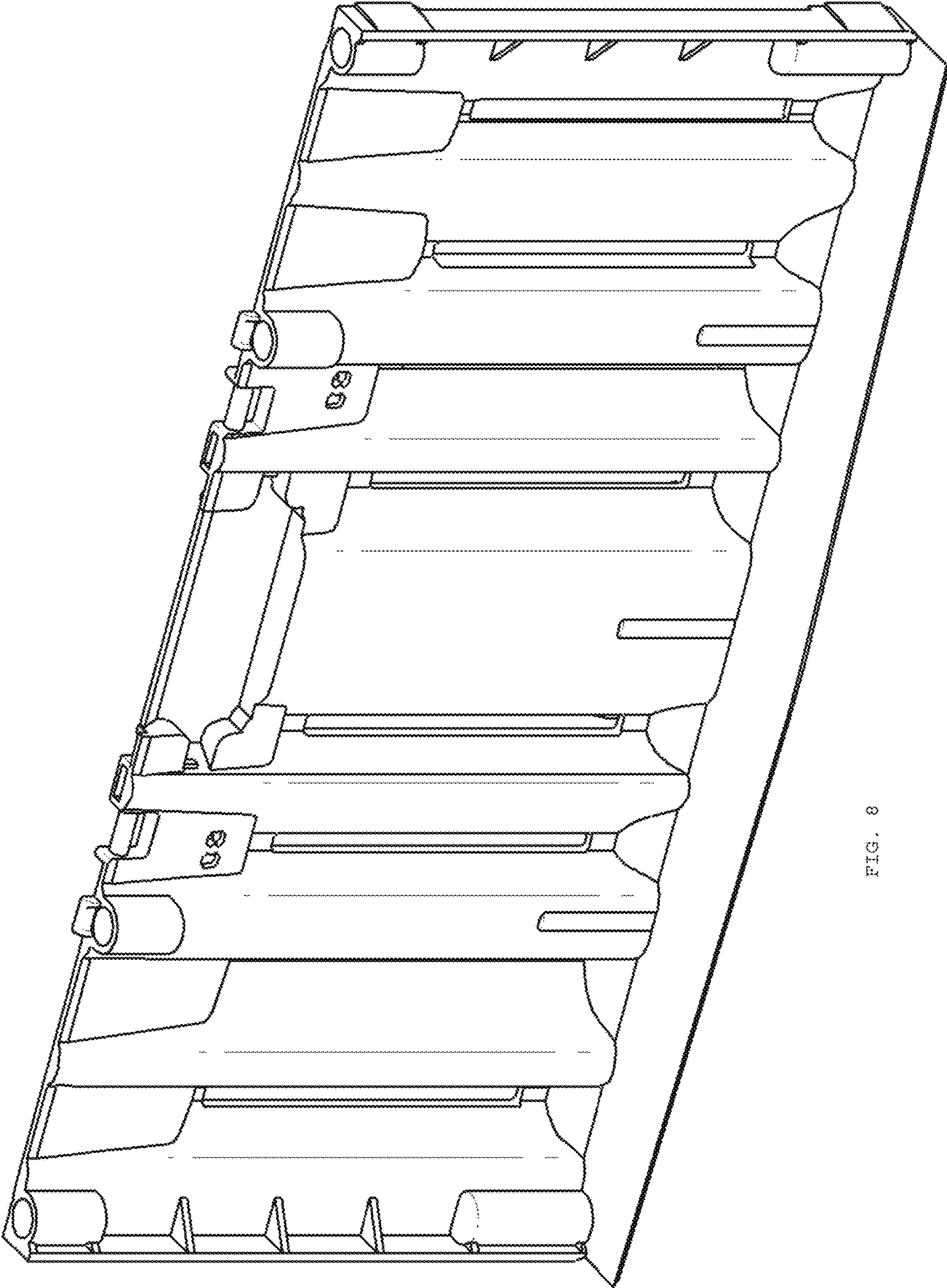


FIG. 8