



US00D913914S

(12) **United States Design Patent**
Nakashima

(10) **Patent No.:** **US D913,914 S**
(45) **Date of Patent:** **** Mar. 23, 2021**

(54) **RECHARGEABLE BATTERY**

H01R 13/6675; Y02T 10/7005; Y02T 10/705; Y02T 10/7088

(71) Applicant: **SONY CORPORATION**, Tokyo (JP)

See application file for complete search history.

(72) Inventor: **Masaharu Nakashima**, Kanagawa (JP)

(56) **References Cited**

(73) Assignee: **SONY CORPORATION**, Tokyo (JP)

U.S. PATENT DOCUMENTS

(**) Term: **15 Years**

D236,492 S 8/1975 Helgesson
4,288,733 A 9/1981 Bilanceri et al.
4,680,527 A 7/1987 Benenati et al.

(21) Appl. No.: **29/685,500**

(Continued)

(22) Filed: **Mar. 28, 2019**

Primary Examiner — Christy Nemeth

(74) *Attorney, Agent, or Firm* — Michael Best and Friedrich LLP

Related U.S. Application Data

(63) Continuation of application No. 29/585,724, filed on Nov. 28, 2016, now Pat. No. Des. 849,680, which is a continuation of application No. 29/466,238, filed on Sep. 5, 2013, now Pat. No. Des. 772,804.

(57) **CLAIM**

The ornamental design for a rechargeable battery, as shown and described.

(51) **LOC (13) Cl.** **13-02**

DESCRIPTION

(52) **U.S. Cl.**

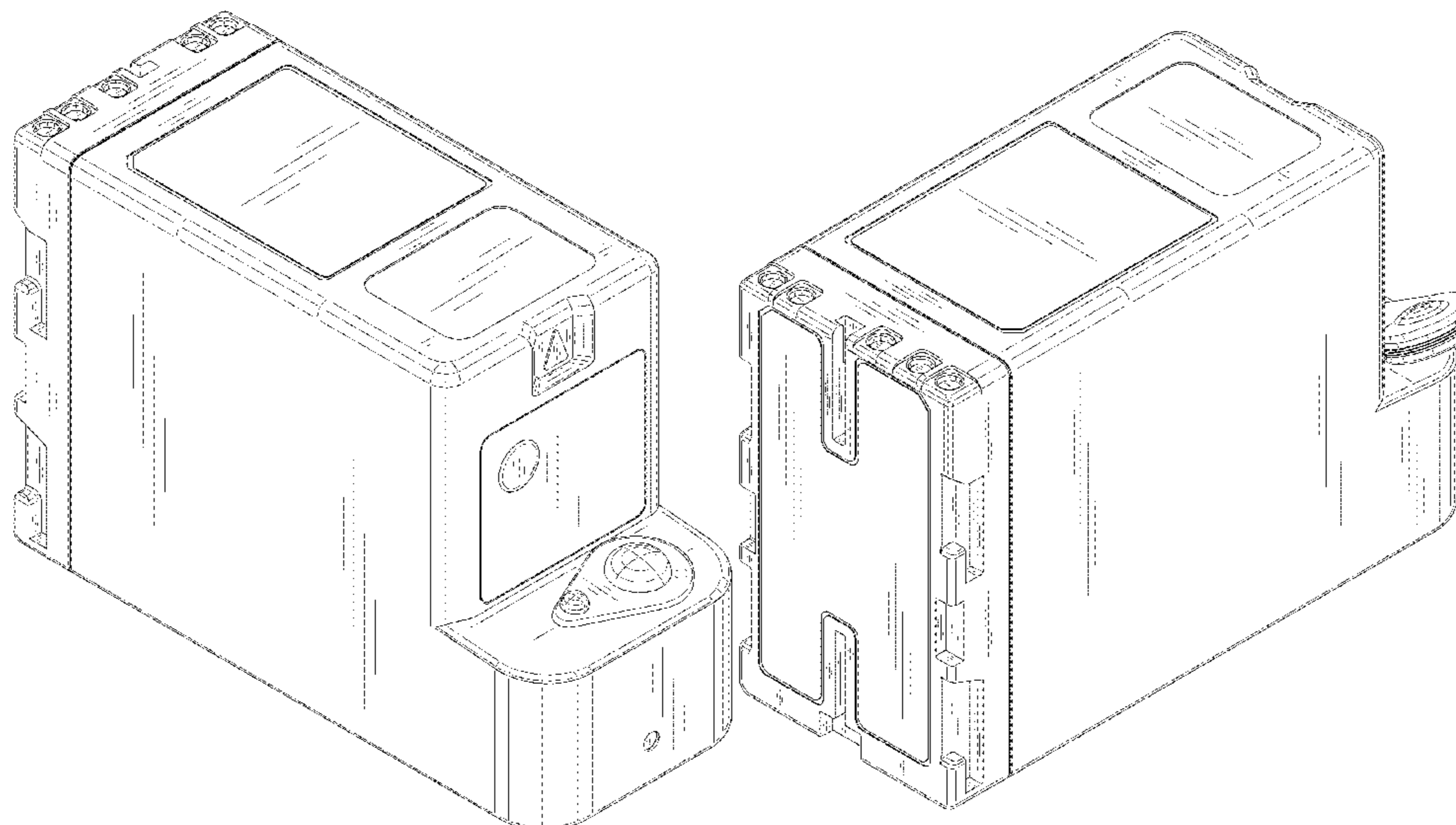
USPC **D13/103**

(58) **Field of Classification Search**

USPC D13/102–110, 118, 119, 184, 199
CPC Y02E 60/12; Y02E 60/122; Y02E 60/124; Y02E 60/50; H01M 2/02; H01M 2/022; H01M 2/0202; H01M 2/0207; H01M 2/0212; H01M 2/1061; H01M 2/1022; H01M 2/1055; H01M 2/1066; H01M 2/105; H01M 2/204; H01M 2/10; H01M 10/4257; H01M 10/0436; H01M 10/48; H01M 10/44; H01M 10/46; H01M 10/425; H01M 2200/30; H01M 2250/30; H01M 2250/40; H02J 7/00; H02J 7/0003; H02J 7/0011; H02J 7/0013; H02J 7/0054; H02J 7/0055; H02J 7/0057; H02J 7/0034; H02J 7/1423; H02J 7/025; H02J 7/0042; H02J 7/0044; H02J 7/0045; H02G 15/18; H02G 15/1826; H01R 13/516; H01R 13/518; H01R 13/52; H01R 13/46; H01R 13/50; H01R 13/506; H01R 13/5213;

FIG. 1 is a front, top, left perspective view of a rechargeable battery showing my new design; FIG. 2 is a rear, top, left perspective view thereof; FIG. 3 is a front elevational view thereof; and FIG. 4 is a rear elevational view thereof; FIG. 5 is a left side elevational view thereof; FIG. 6 is a right side elevational view thereof; and FIG. 7 is a top plan view thereof; and FIG. 8 is a bottom plan view thereof. FIG. 9 is a front, top, left perspective view thereof, wherein the ink cover portion is in an alternate open position; FIG. 10 is a rear, top, left perspective view thereof; FIG. 11 is a front elevational view thereof; FIG. 12 is a rear elevational view thereof; FIG. 13 is a left side elevational view thereof; FIG. 14 is a right side elevational view thereof; FIG. 15 is a top plan view thereof; and, FIG. 16 is a bottom plan view thereof. The broken lines illustrating portions of the rechargeable battery form no part of the claimed design.

1 Claim, 16 Drawing Sheets



(56)

References Cited

U.S. PATENT DOCUMENTS

4,829,226 A 5/1989 Nakamura et al.
 D306,851 S 3/1990 Weimann
 D355,887 S 2/1995 Rodeffer et al.
 D358,365 S 5/1995 Rodeffer et al.
 D377,477 S 1/1997 Harata et al.
 5,626,979 A 5/1997 Mitsui et al.
 5,686,808 A 11/1997 Lutz
 D414,159 S 9/1999 Deslyper et al.
 D417,187 S 11/1999 Maeyama
 D417,188 S 11/1999 Maeyama
 D417,861 S 12/1999 Maeyama
 D425,479 S 5/2000 Melnicoff
 D428,384 S 7/2000 Maeyama
 6,251,370 B1 6/2001 Uchida et al.
 D446,183 S 8/2001 Miyashita
 D457,132 S * 5/2002 Petherbridge D13/103
 6,521,370 B1 2/2003 Takeshita et al.
 D480,682 S 10/2003 Kawase
 D487,250 S 3/2004 Kikutani
 D503,922 S * 4/2005 Shimizu D13/103
 D515,499 S * 2/2006 Matsuda D13/103
 D524,242 S 7/2006 Adams et al.
 D553,561 S 10/2007 Maggert
 D556,680 S 12/2007 Matsumoto
 D560,159 S 1/2008 Matsumoto
 D568,244 S 5/2008 Suzuki et al.

D568,807 S * 5/2008 Suzuki D13/103
 D577,710 S * 9/2008 Joseph D14/204
 D584,224 S 1/2009 Mori et al.
 7,556,526 B2 7/2009 Ebine et al.
 D623,124 S 9/2010 Nomi et al.
 D637,552 S 5/2011 Inman et al.
 D642,517 S 8/2011 Inman et al.
 7,989,101 B2 * 8/2011 Hara H01M 2/0202
 429/96
 D647,944 S 11/2011 Jannard et al.
 8,247,106 B2 8/2012 Takeshita et al.
 D682,778 S 5/2013 Baumgartner et al.
 D685,729 S * 7/2013 Lyman D13/103
 D686,569 S 7/2013 Lau
 D687,777 S 8/2013 Yonishi et al.
 D708,189 S 7/2014 An et al.
 D713,334 S 9/2014 Mao
 8,865,339 B2 * 10/2014 Enari H01M 10/425
 429/159
 D725,590 S 3/2015 Clyne et al.
 D752,510 S 3/2016 Lin
 D772,804 S * 11/2016 Nakashima D13/103
 D780,111 S * 2/2017 Clyne D13/103
 D808,898 S * 1/2018 Walker D13/103
 D835,574 S * 12/2018 Trongone D13/103
 D849,680 S * 5/2019 Nakashima D13/103
 2006/0281002 A1 12/2006 Aoki et al.
 2014/0072850 A1 3/2014 Kwon et al.
 2015/0288021 A1 10/2015 Kwon et al.

* cited by examiner

FIG.1

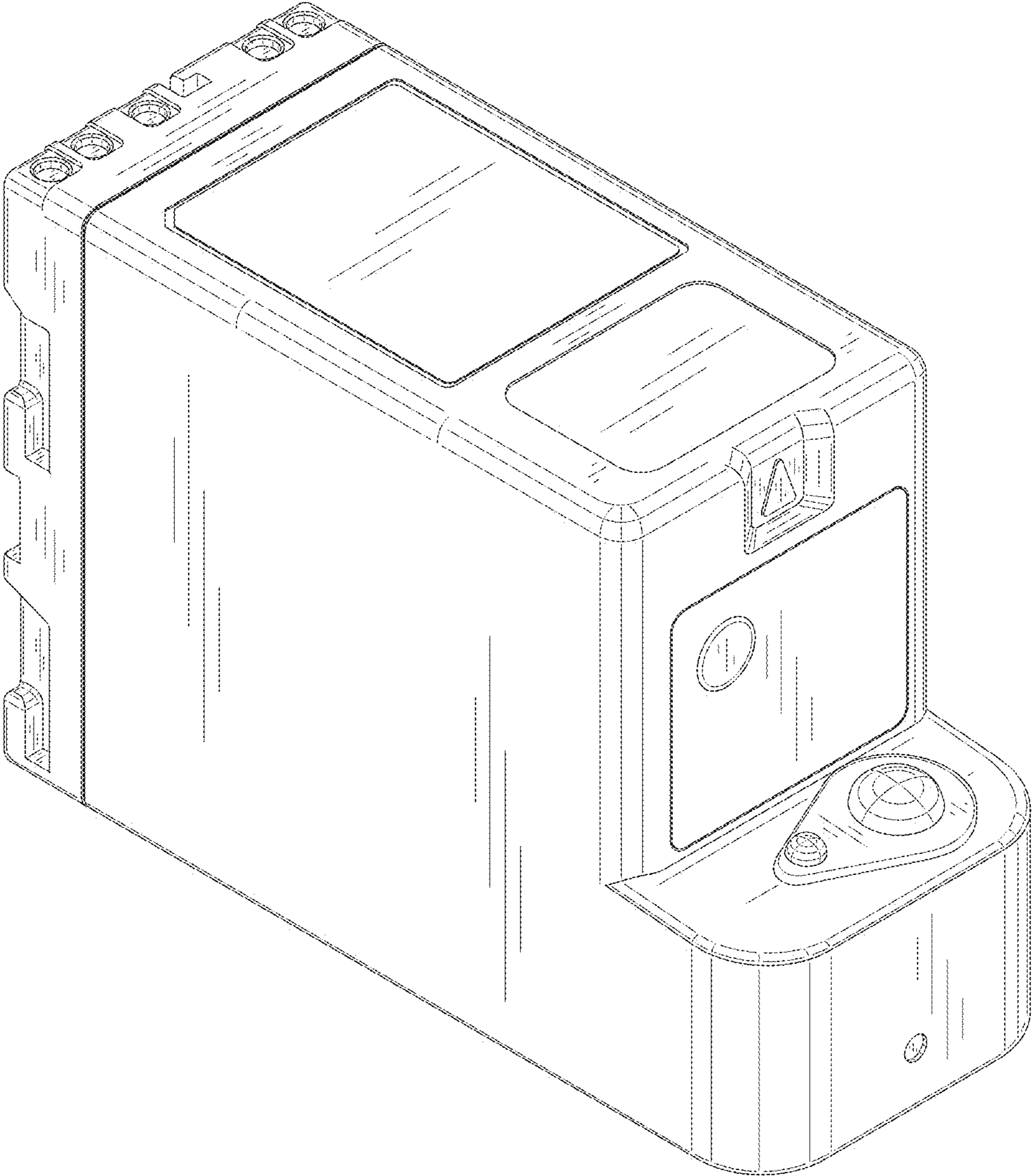


FIG.2

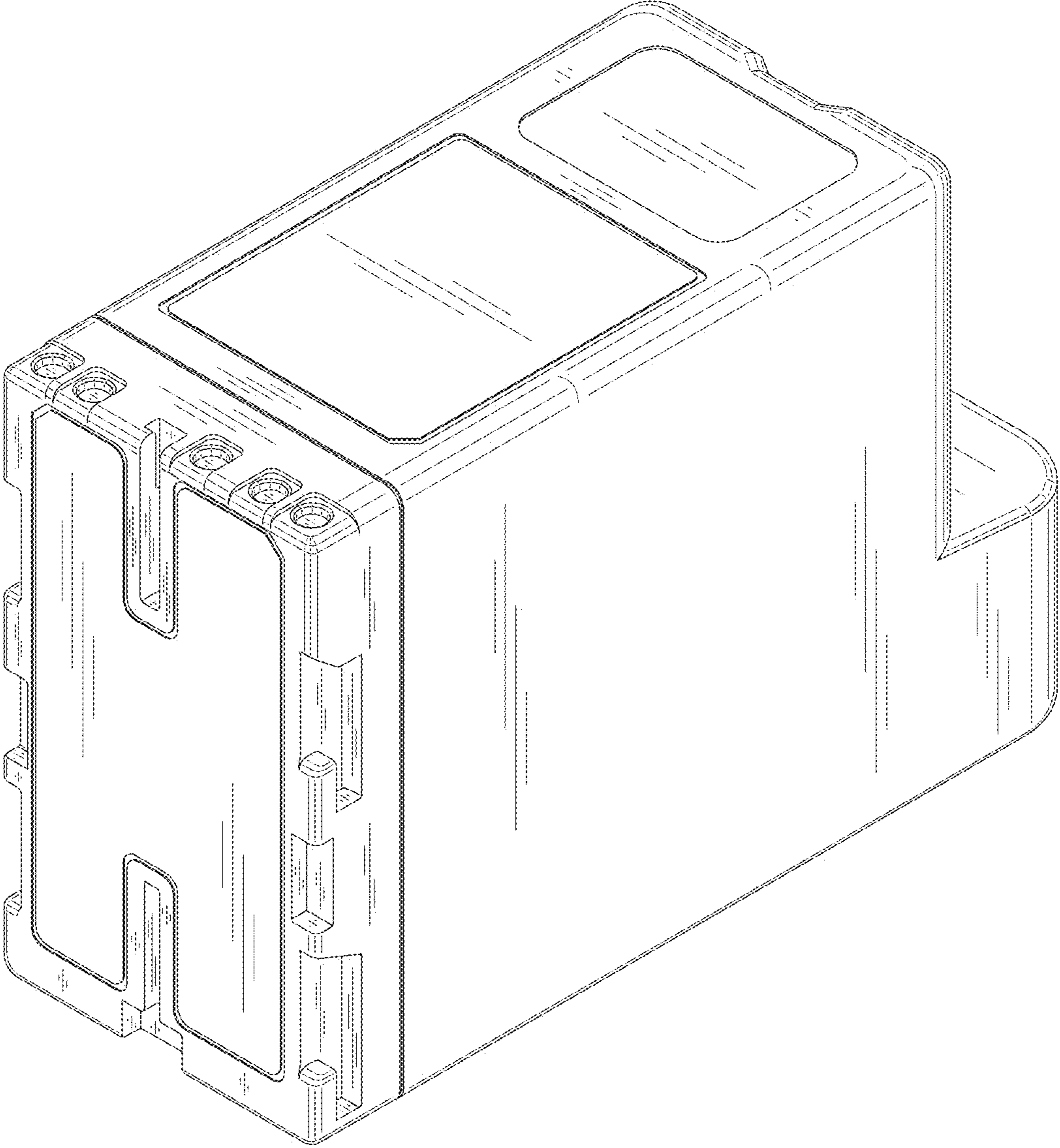


FIG.3

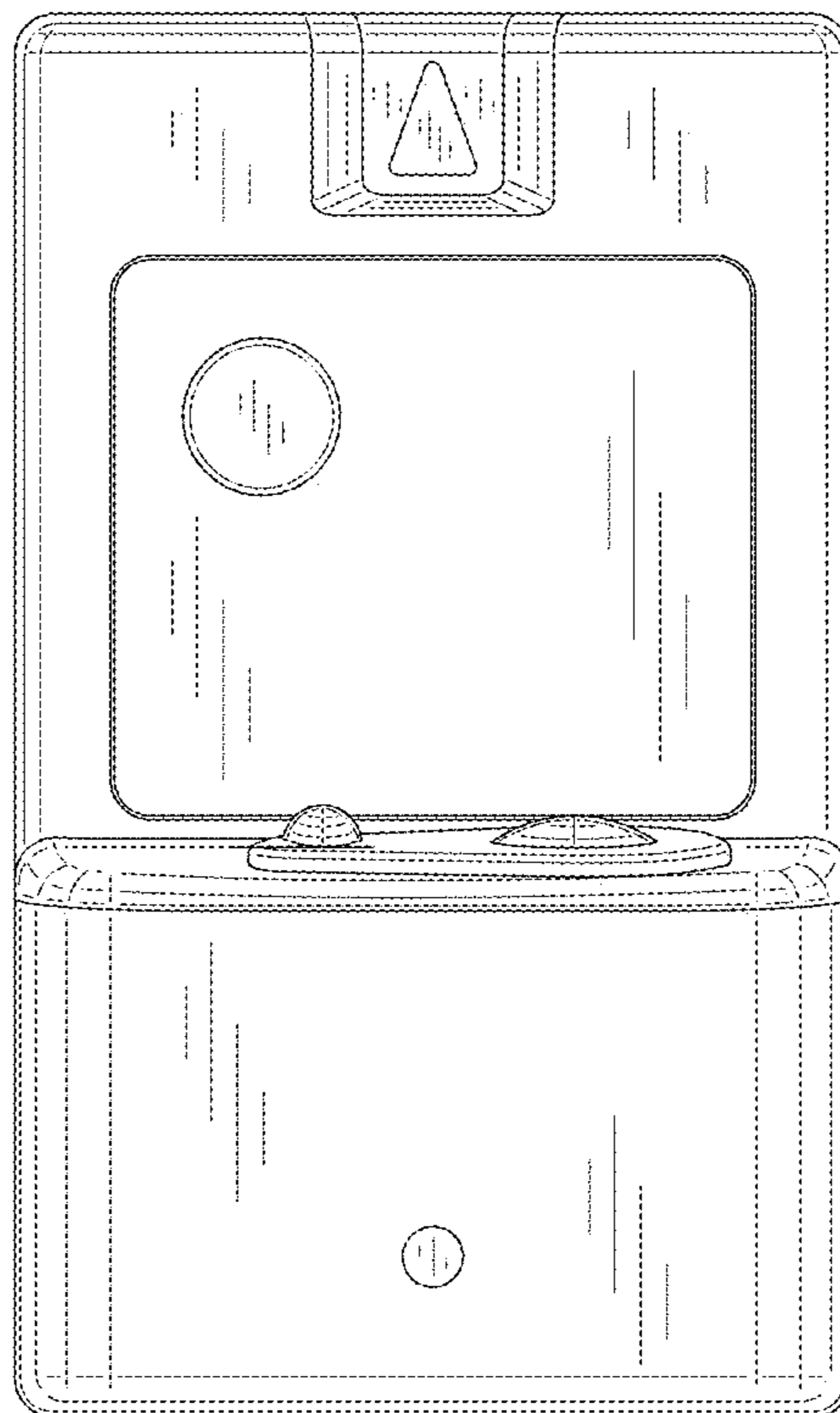


FIG.4

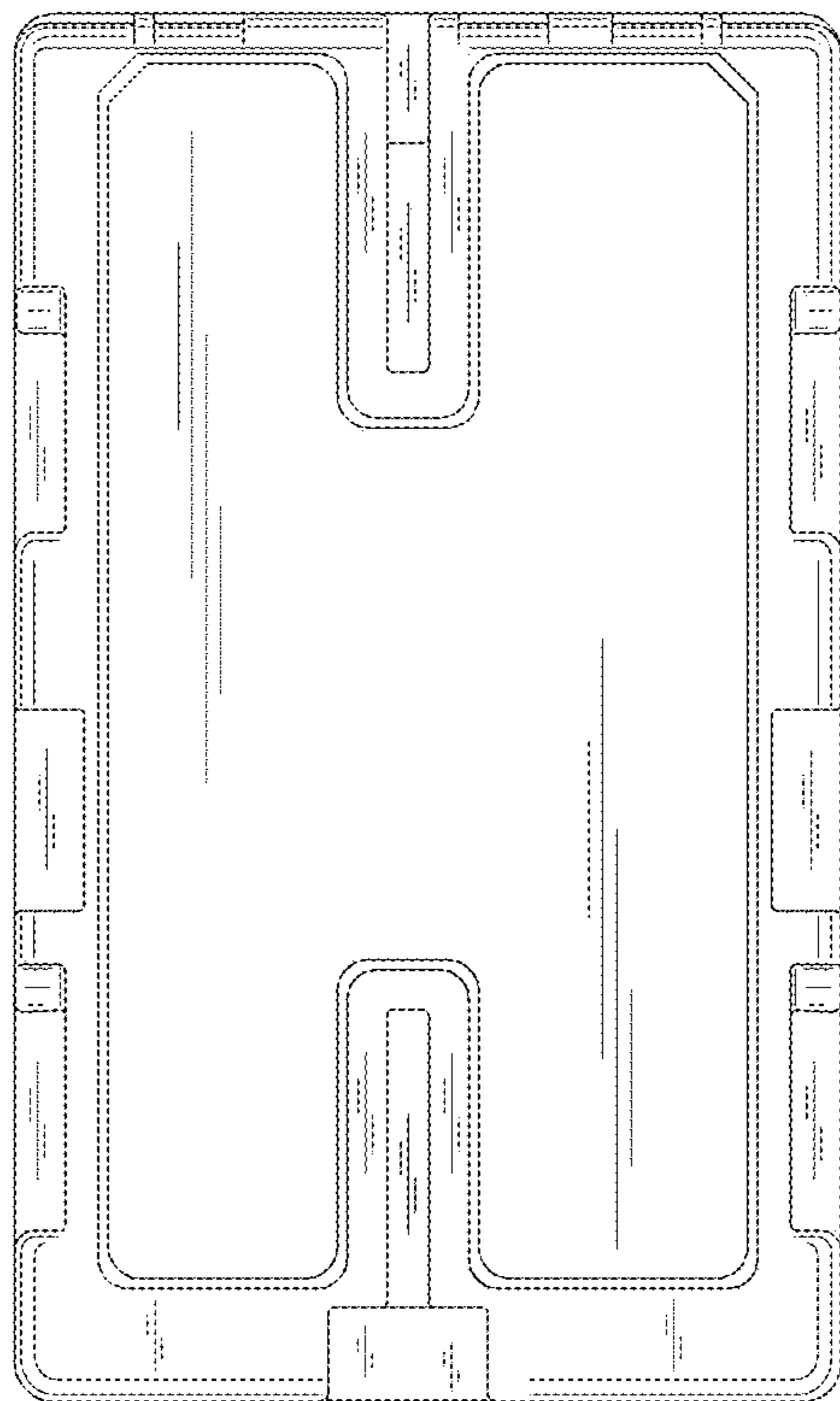


FIG.5

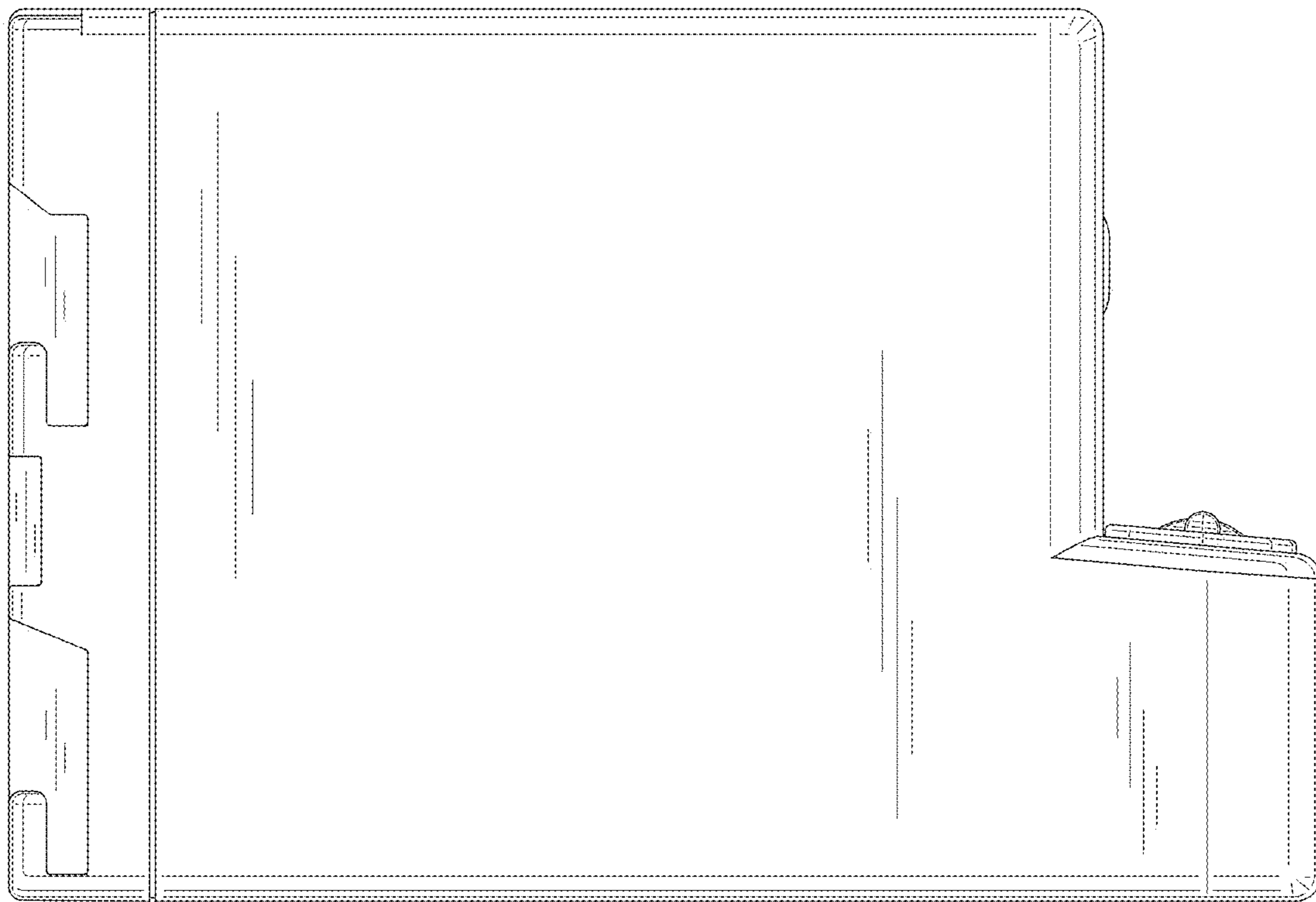


FIG.6

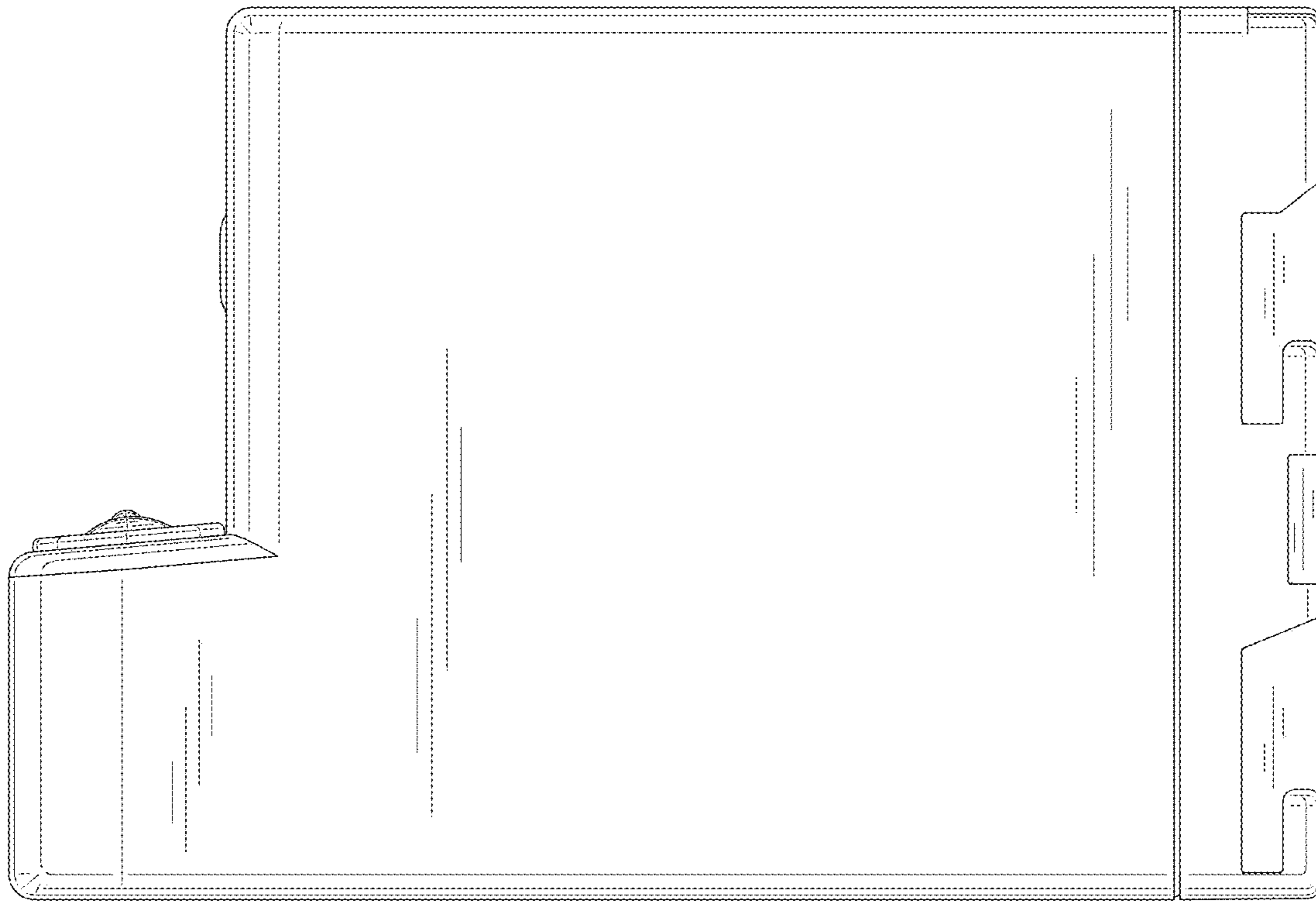


FIG.7

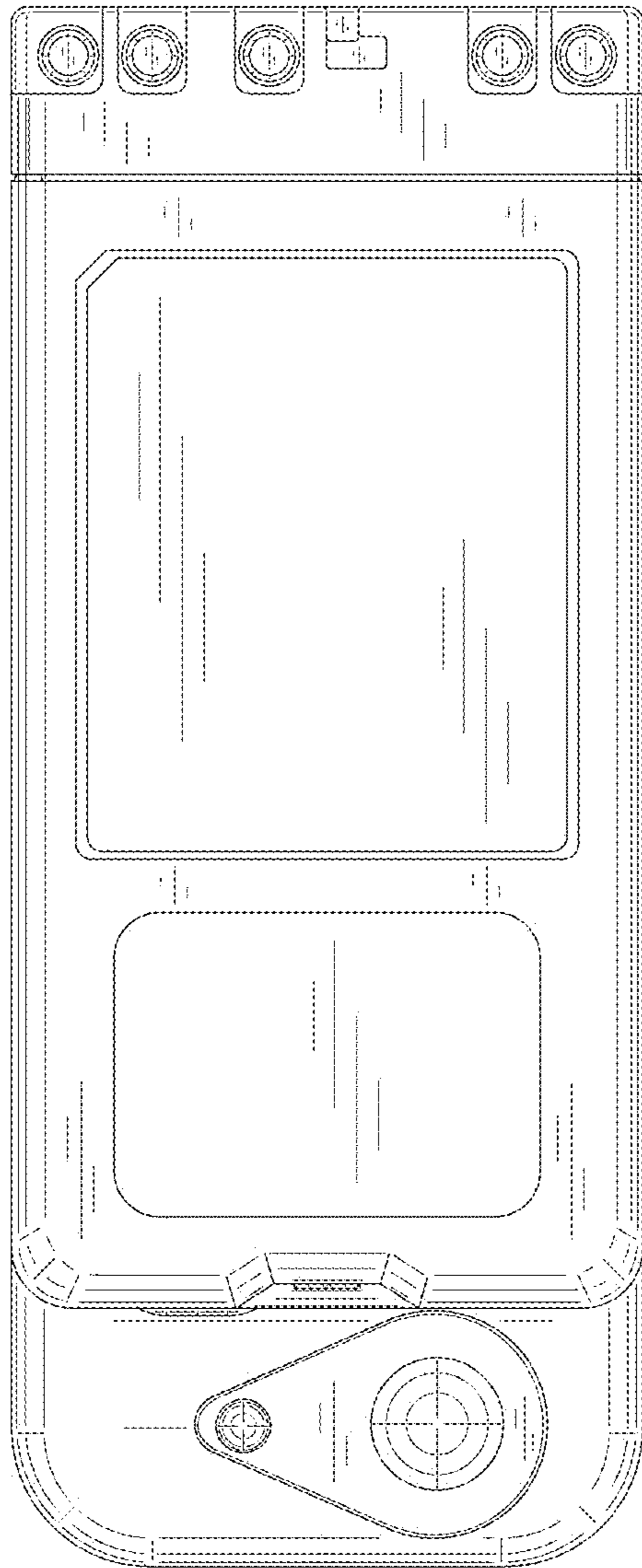


FIG.8

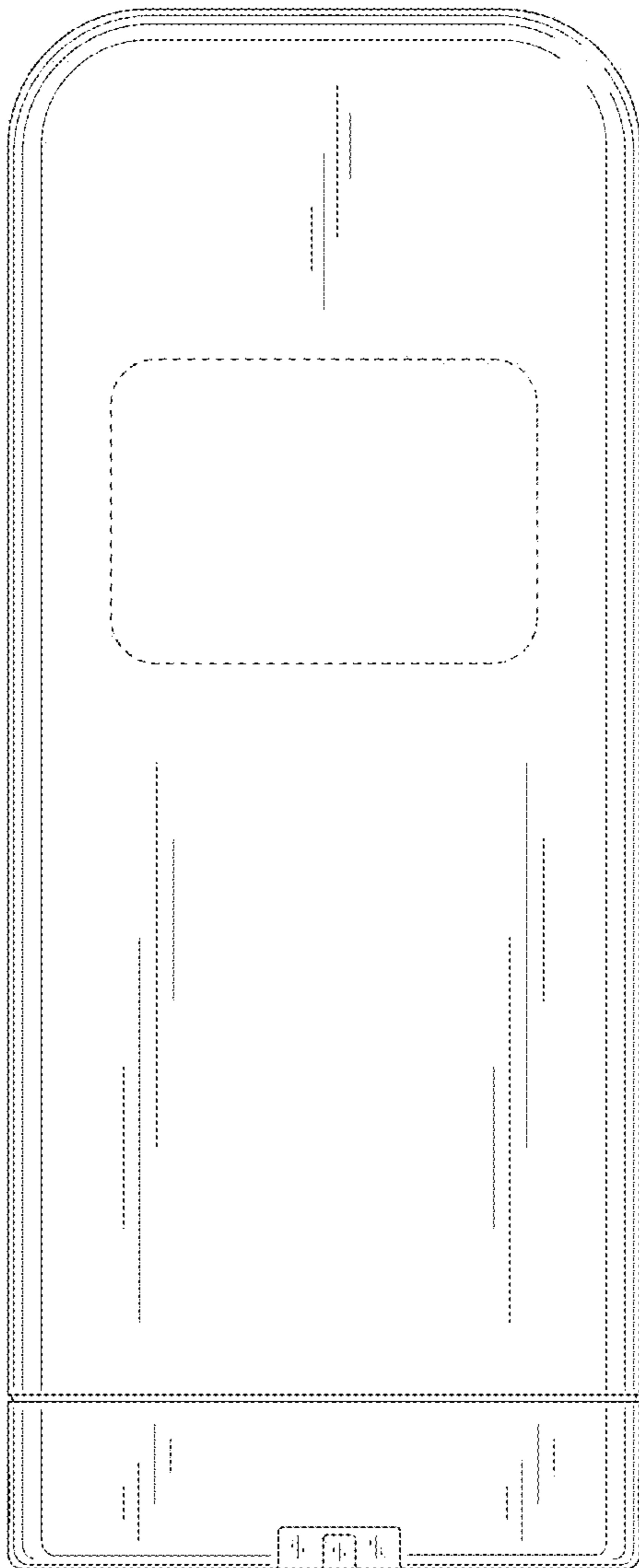


FIG.9

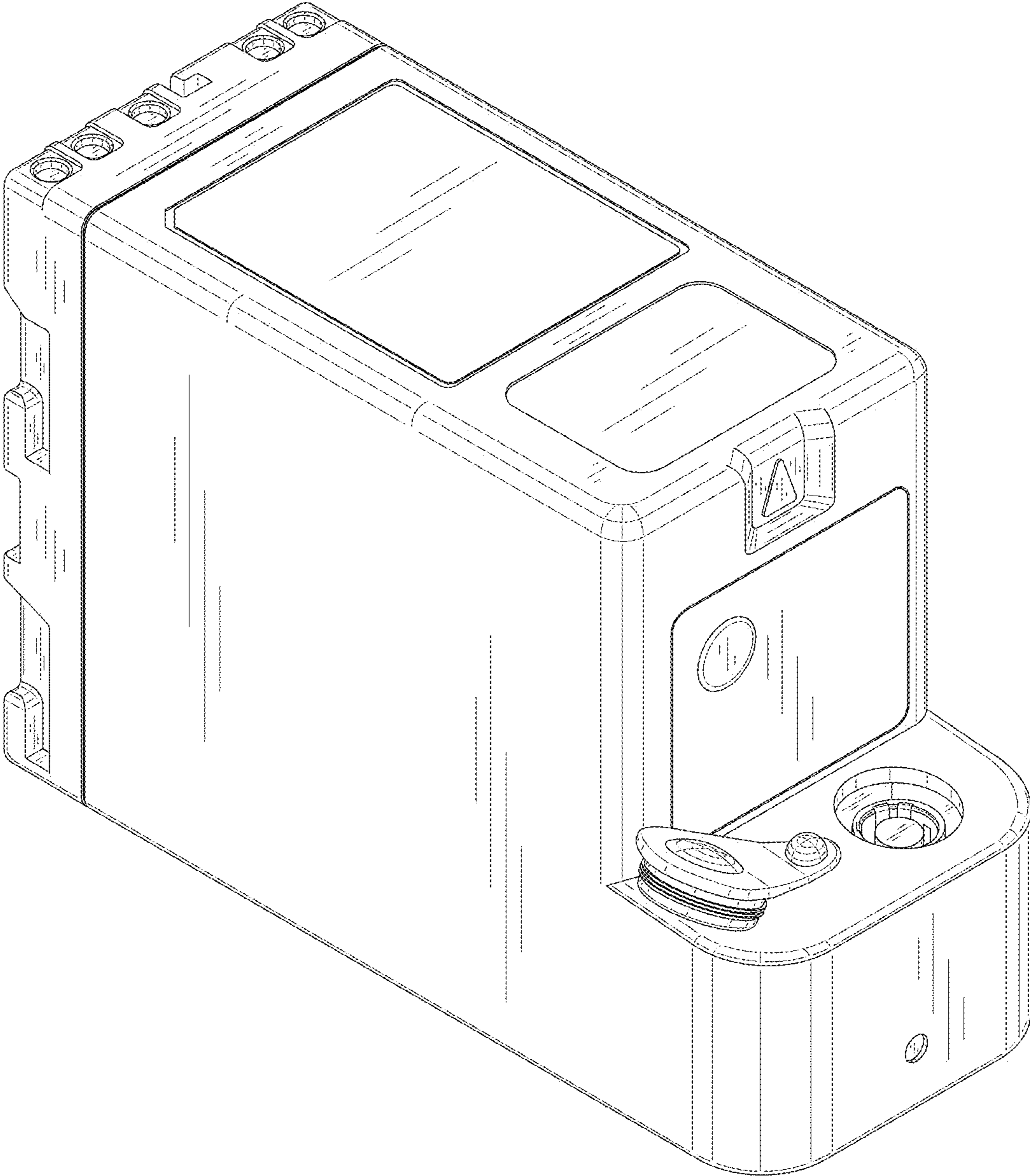


FIG.10

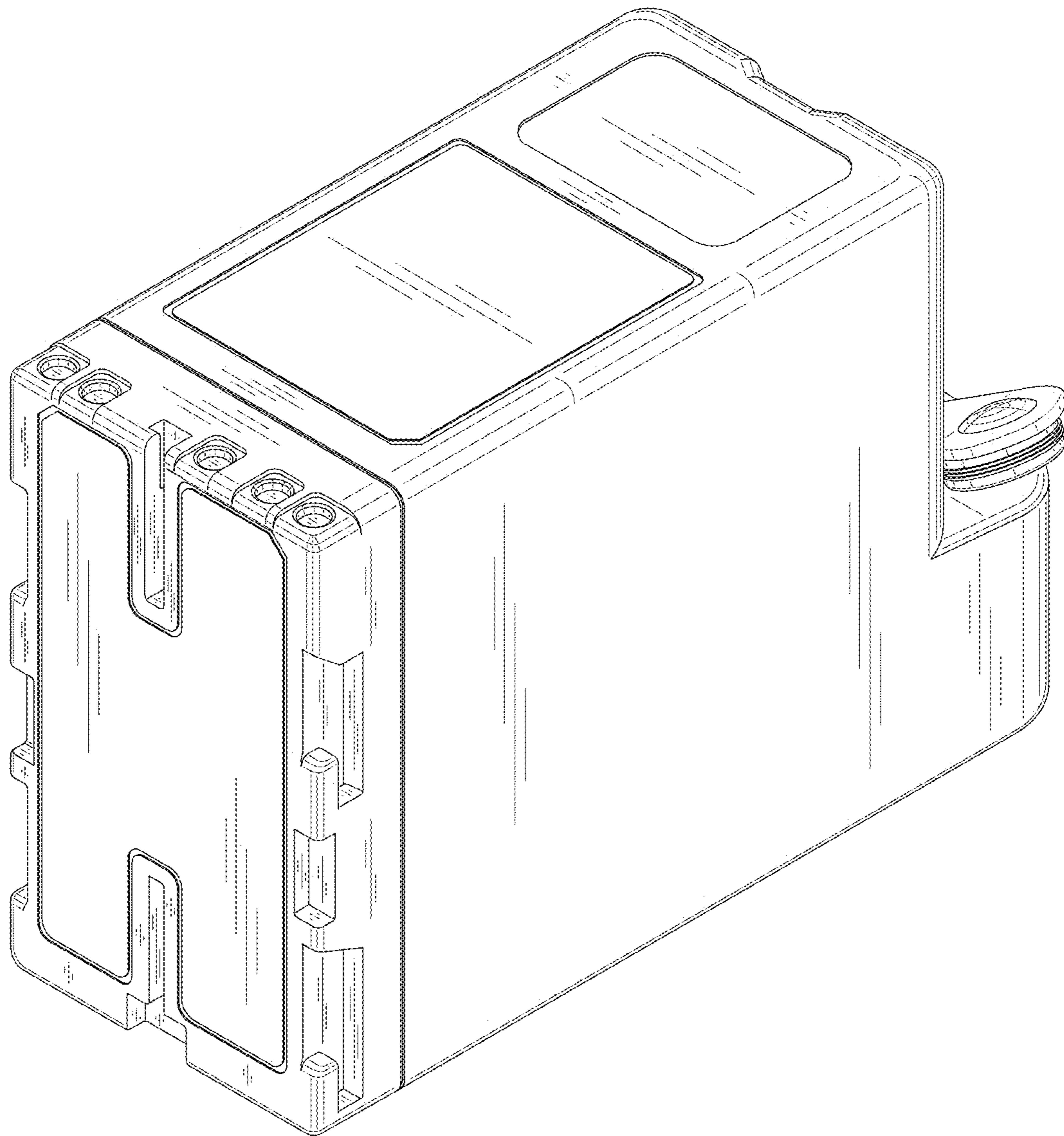


FIG.11

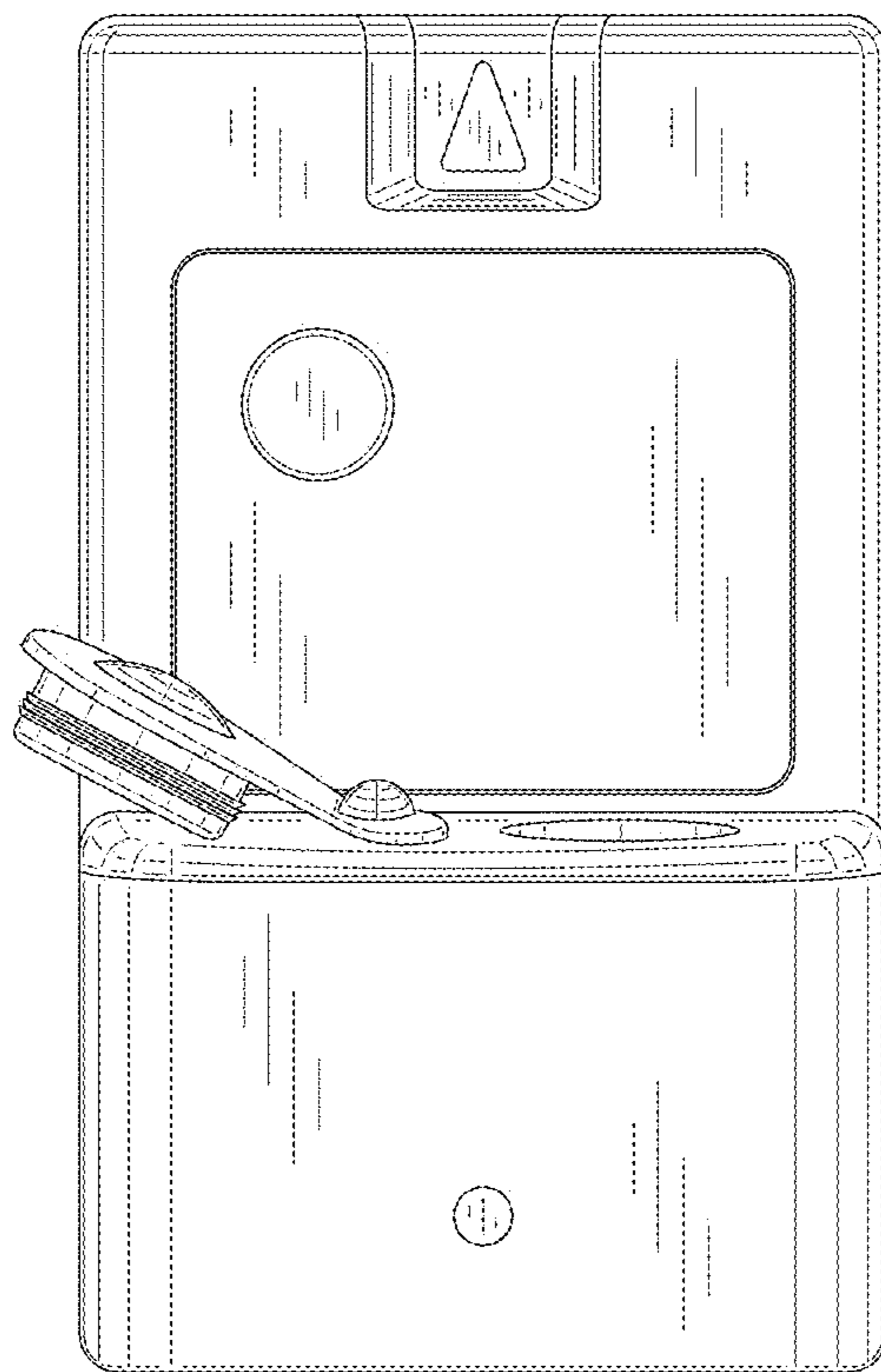


FIG.12

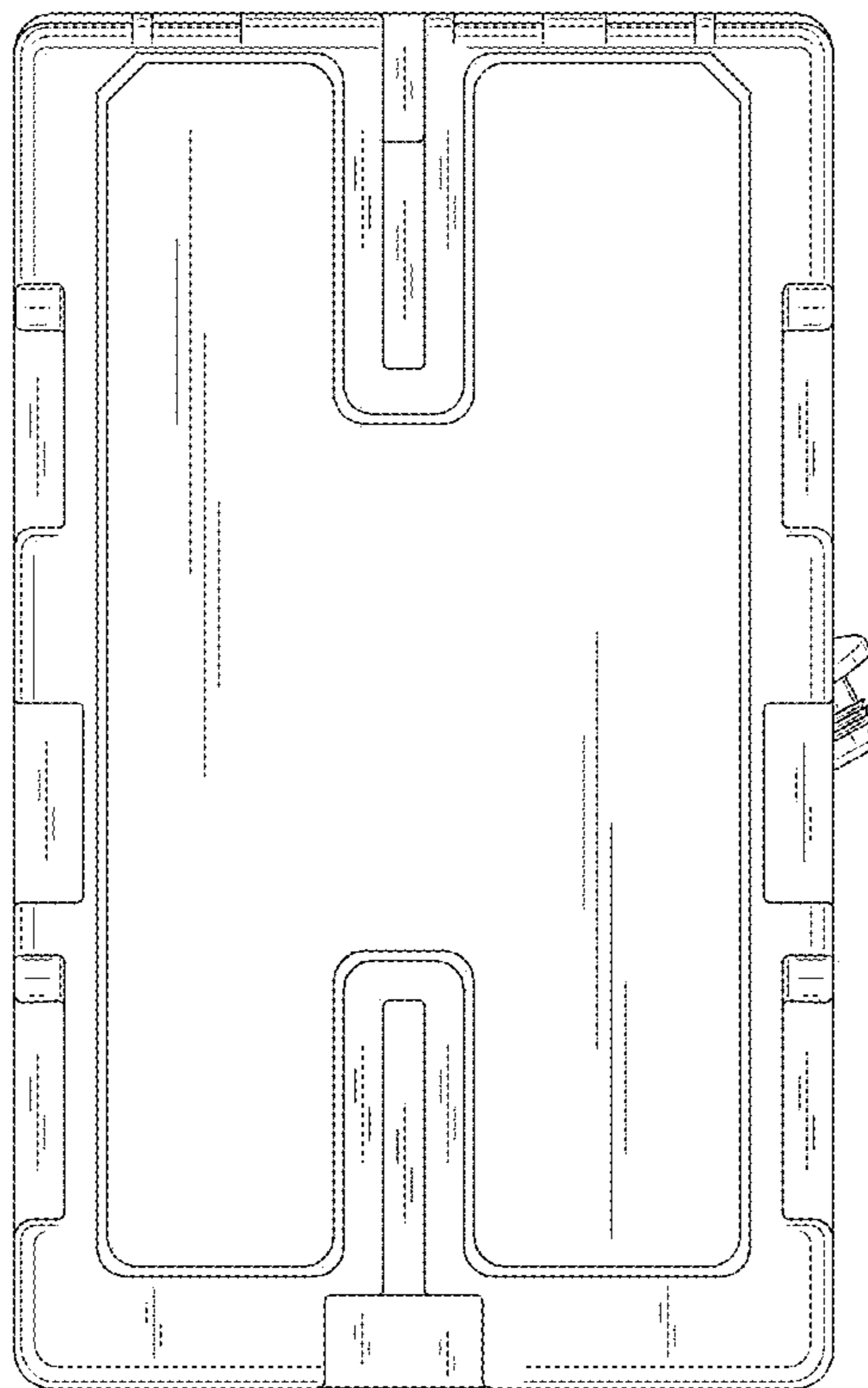


FIG. 13

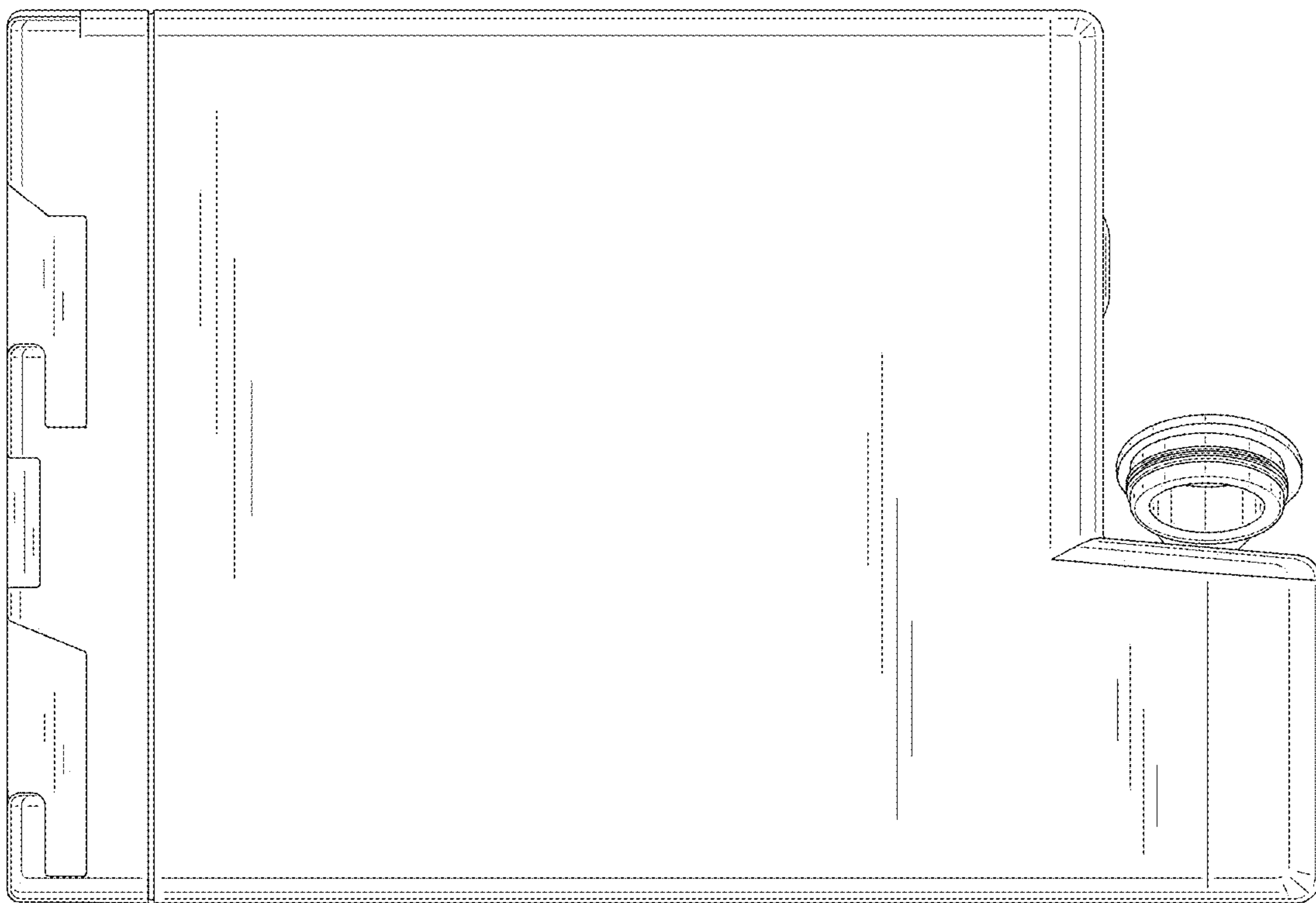


FIG.14

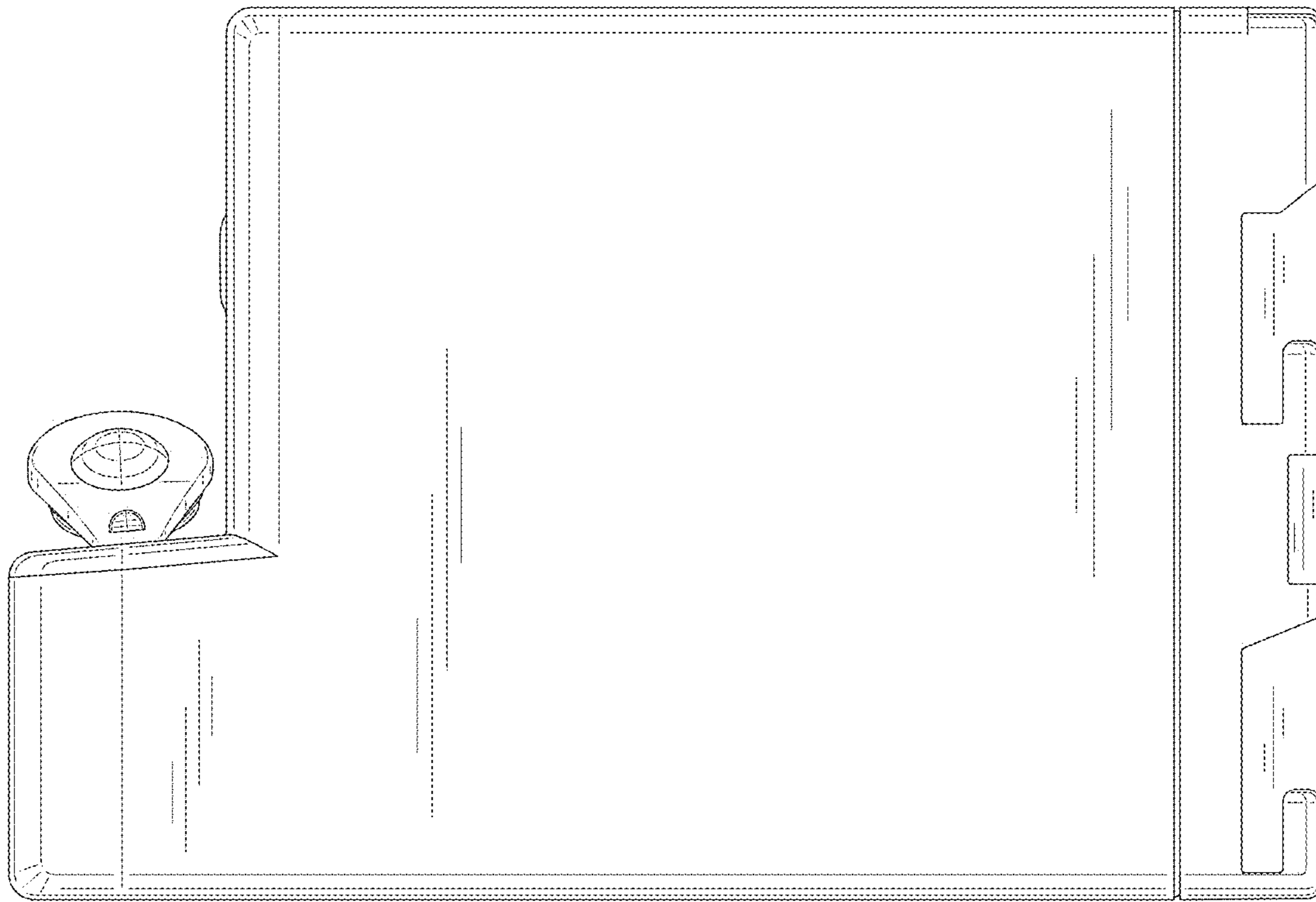


FIG.15

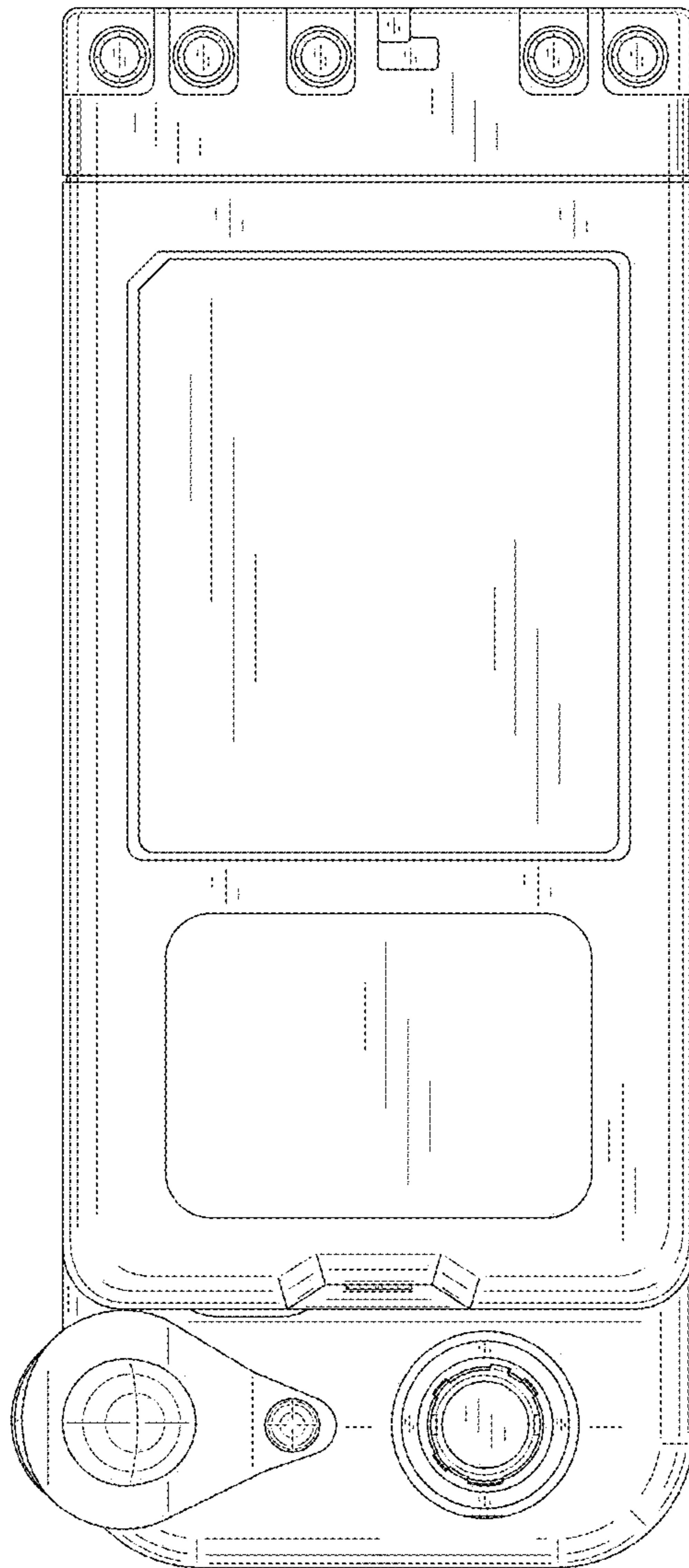


FIG. 16

