



US00D913913S

(12) **United States Design Patent** (10) **Patent No.:** **US D913,913 S**
Kim et al. (45) **Date of Patent:** **** Mar. 23, 2021**

(54) **SOLAR CELL MODULE**

(56) **References Cited**

(71) Applicant: **LG Electronics Inc.**, Seoul (KR)
(72) Inventors: **Jinsung Kim**, Seoul (KR); **Donghae Oh**, Seoul (KR); **Hyunho Lee**, Seoul (KR)

U.S. PATENT DOCUMENTS

D469,058	S	*	1/2003	Shugar	D13/102
D772,803	S	*	11/2016	Haas	D13/102
D810,675	S	*	2/2018	Detrick	D13/102
D817,264	S	*	5/2018	Detrick	D13/102
D828,292	S	*	9/2018	Yoshimura	D13/102
D829,164	S	*	9/2018	Maekawa	D13/102
D837,729	S	*	1/2019	Fang	D13/102
D838,666	S	*	1/2019	Dreier	D13/102
D856,271	S	*	8/2019	Crist	D13/102
2012/0103415	A1	*	5/2012	Sainoo	H01L 31/048 136/256
2016/0111573	A1	*	4/2016	Meyer	H01L 31/049 136/251
2017/0222074	A1	*	8/2017	Yamada	H01L 31/028

(73) Assignee: **LG ELECTRONICS INC.**, Seoul (KR)

(**) Term: **15 Years**

(21) Appl. No.: **35/507,823**

(22) Filed: **May 20, 2019**

(80) **Hague Agreement Data**

Int. Filing Date: **May 20, 2019**
Int. Reg. No.: **DM/203743**
Int. Reg. Date: **May 20, 2019**
Int. Reg. Pub. Date: **Nov. 22, 2019**

(Continued)

Primary Examiner — Nathaniel D. Buckner
(74) *Attorney, Agent, or Firm* — Birch, Stewart, Kolasch & Birch, LLP

(30) **Foreign Application Priority Data**

Nov. 20, 2018 (KR) 30-2018-0053782

(51) **LOC (13) Cl.** **13-02**

(52) **U.S. Cl.**
USPC **D13/102**

(58) **Field of Classification Search**
USPC D13/102-110, 118-19, 184, 199;
D14/356, 432
CPC Y02E 10/50; Y02E 10/47; Y02E 60/12;
H02S 10/40; H02S 30/20; H02S 40/34;
Y02T 90/14; Y02T 90/122; Y02T 90/128;
Y02T 90/163; H02J 7/025; H02J 7/0042;
H02J 7/0044; H02J 7/0045; H02J 7/0003;
H01F 38/14; H01R 13/6675; H01M
2/1022; H01M 2/1055; H01M 10/44;
H01M 10/46; H01M 10/425; B60L
11/182

See application file for complete search history.

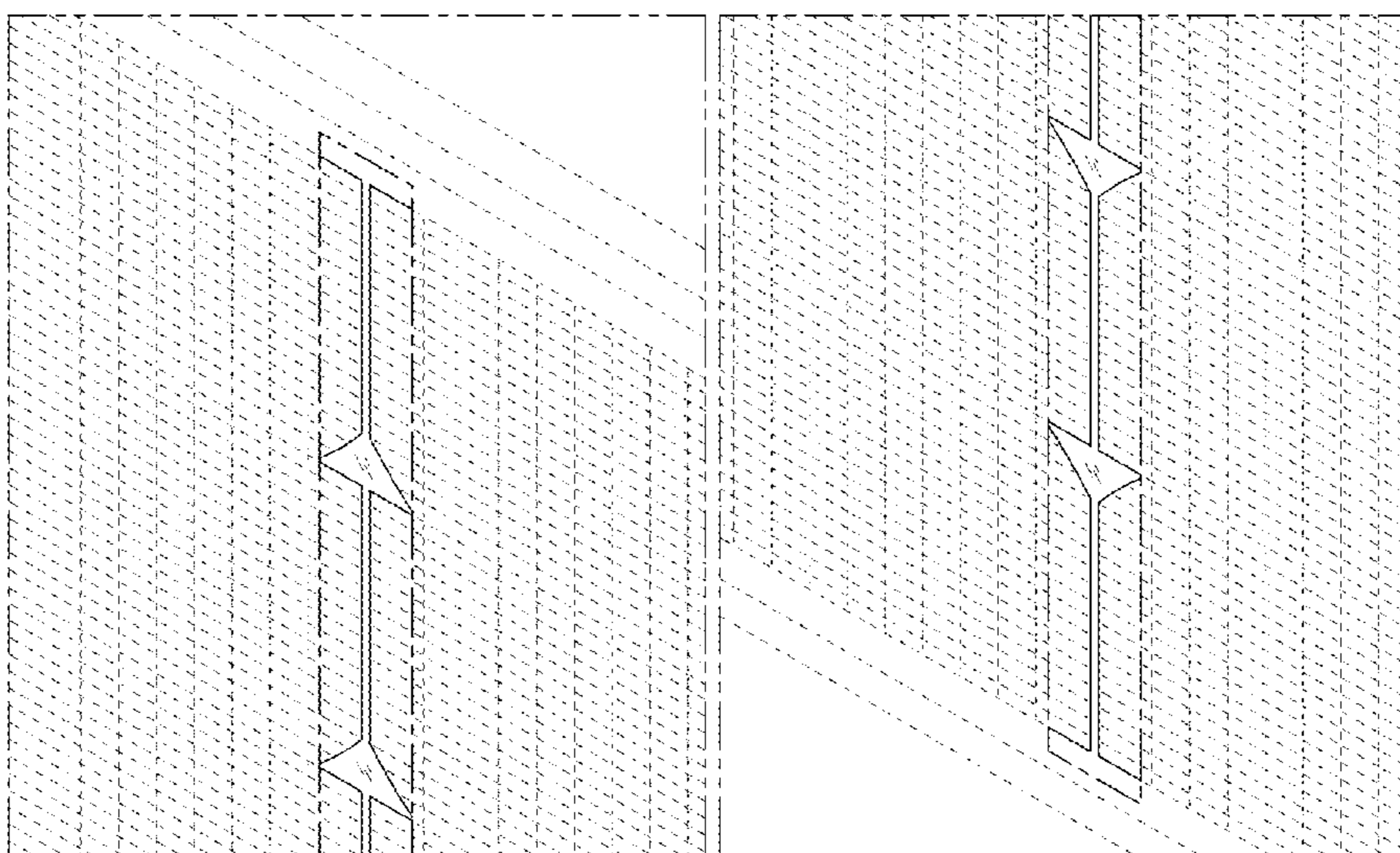
(57) **CLAIM**

The ornamental design for a solar cell module, as shown and described.

DESCRIPTION

- 1. Solar cell module
 - 1.1 : Front perspective view of the solar cell module
 - 1.2 : Front view thereof
 - 1.3 : Back view thereof
 - 1.4 : Left view thereof where the right view is a mirror image
 - 1.5 : Top view thereof where the bottom view is a mirror image
 - 1.6 : Enlarged view of the upper part thereof
 - 1.7 : Enlarged view of the lower part thereof
- The broken lines depict portions of the solar cell module that form no part of the claimed design; the dash-dot broken lines define the boundary of the claimed design and form no part thereof.

1 Claim, 7 Drawing Sheets



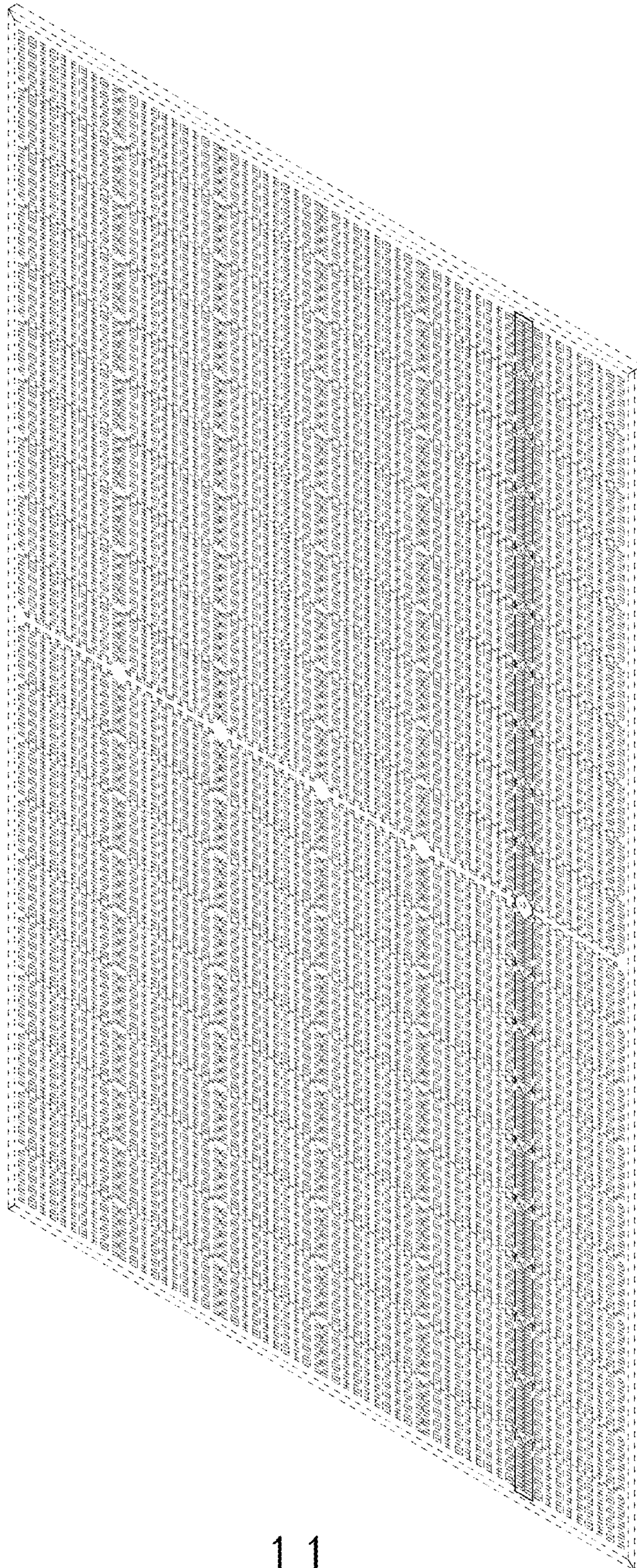
(56)

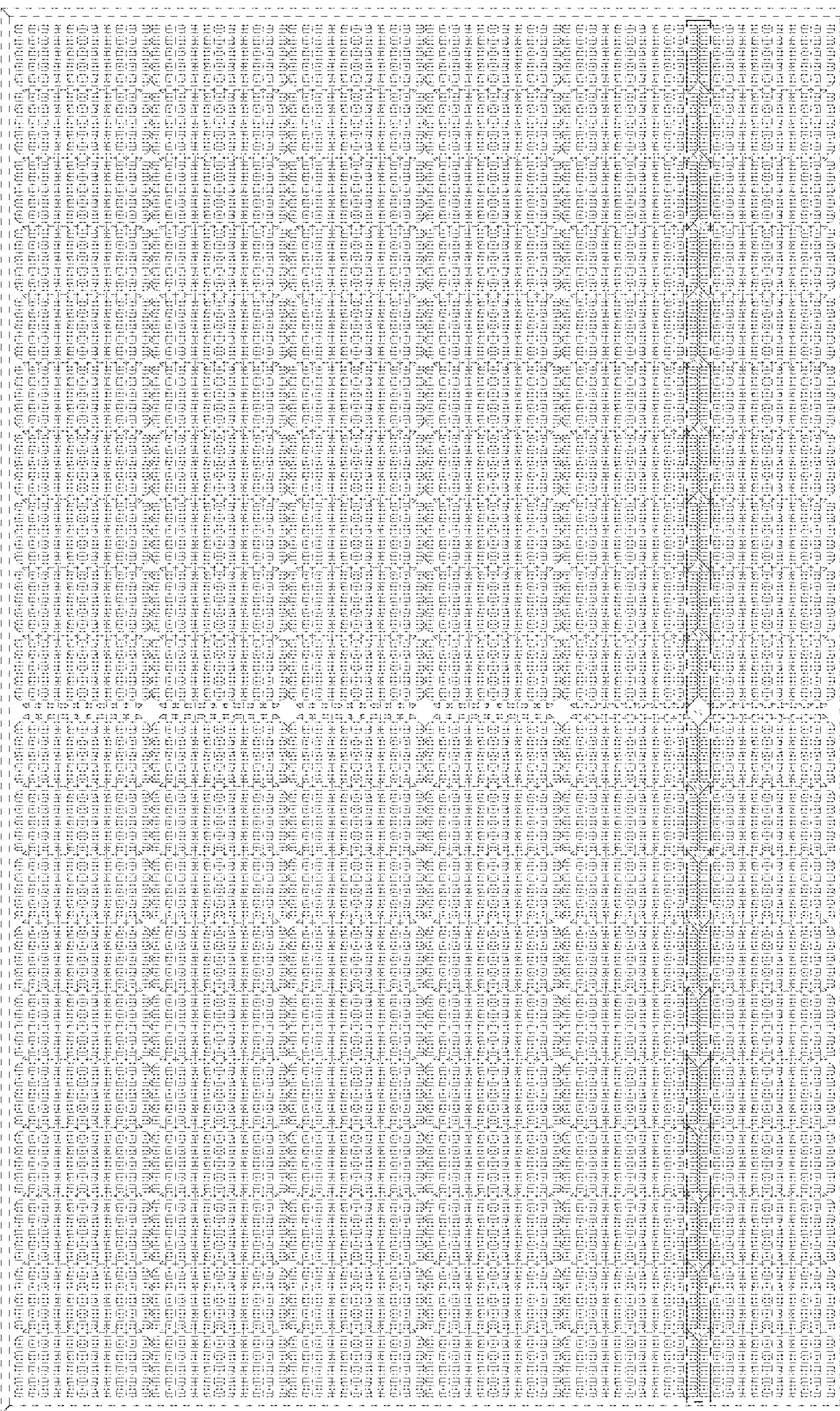
References Cited

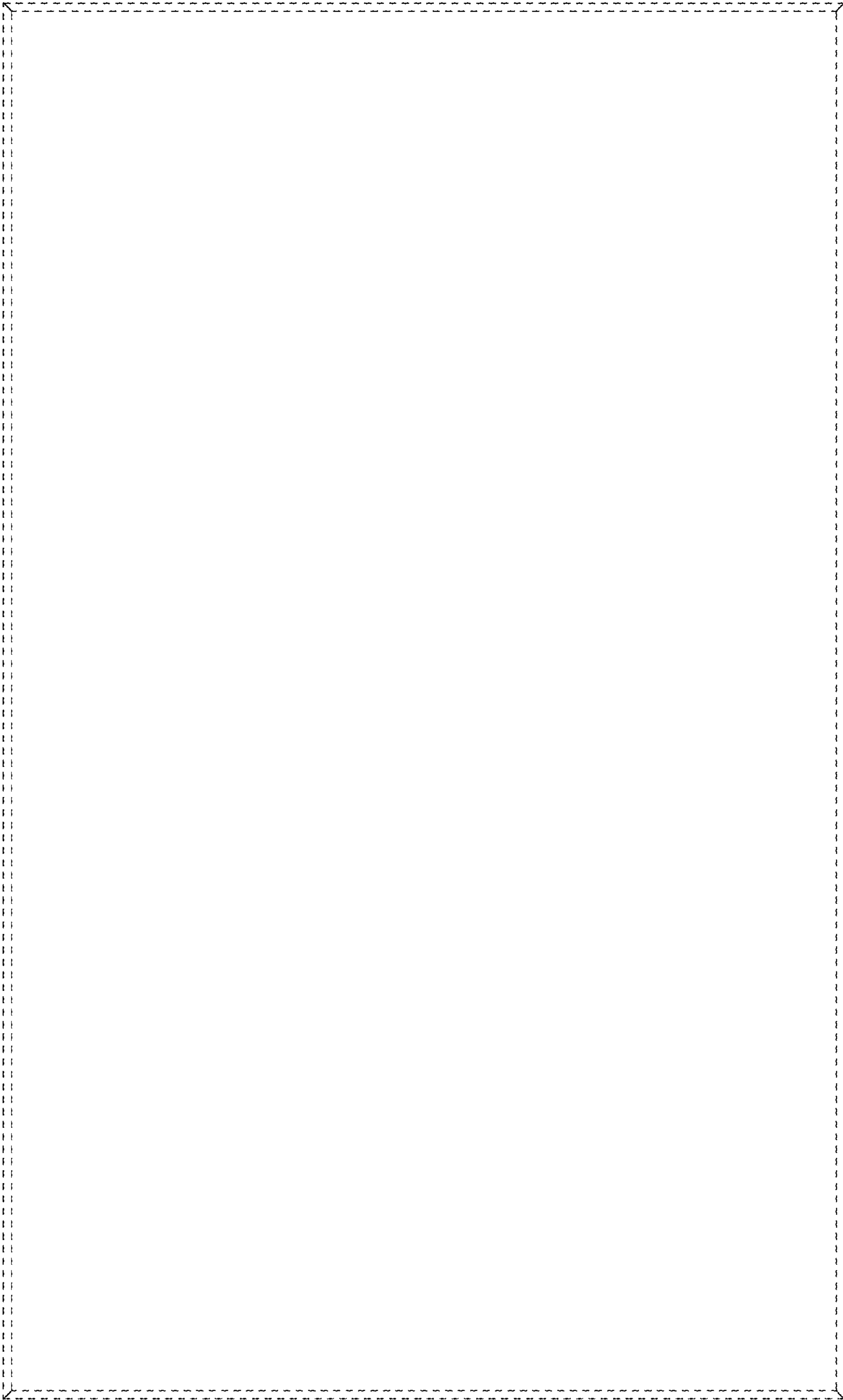
U.S. PATENT DOCUMENTS

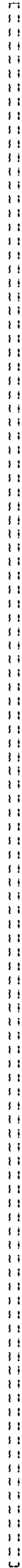
2019/0259885 A1* 8/2019 Yoshikawa H01L 31/1804
2019/0296171 A1* 9/2019 Chang H01L 31/022433

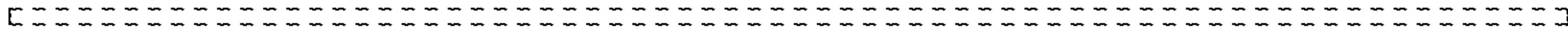
* cited by examiner



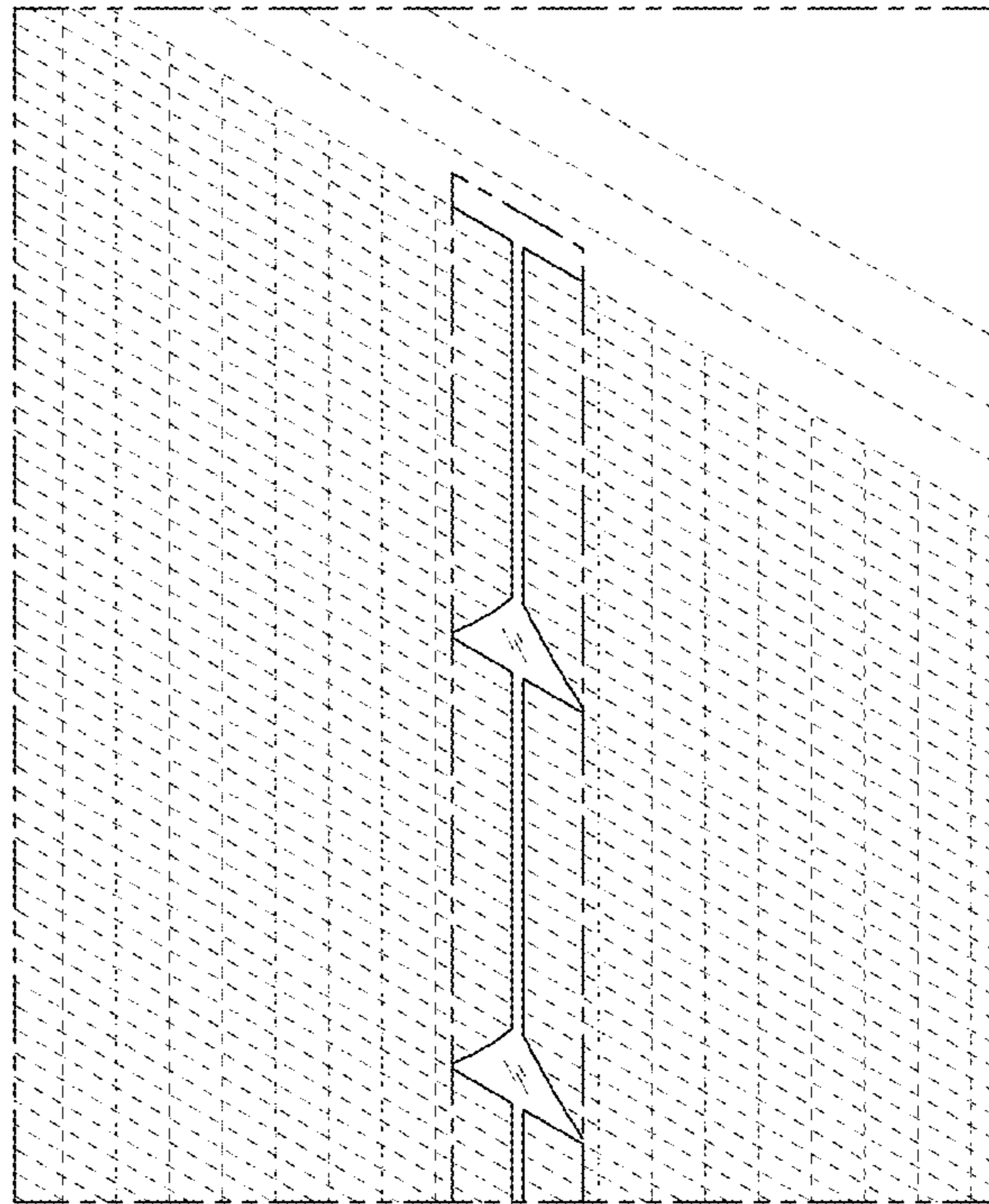




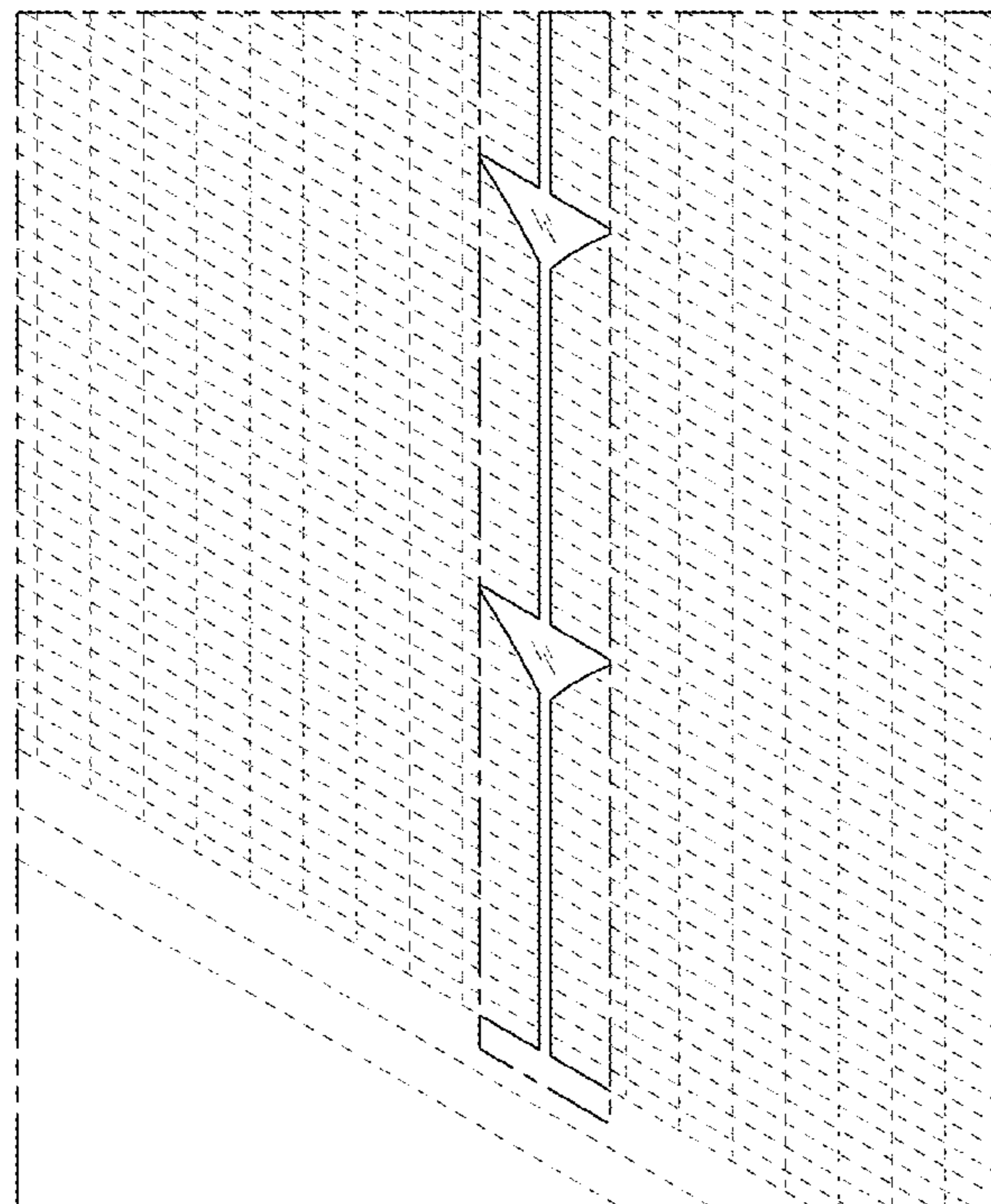




1.5



1.6



1.7