



US00D913911S

(12) **United States Design Patent**  
**Sgreccia**

(10) **Patent No.:** **US D913,911 S**

(45) **Date of Patent:** **\*\* \*Mar. 23, 2021**

(54) **TIRE**

(71) Applicant: **TRELLEBORG WHEEL SYSTEMS ITALIA S.P.A.**, Tivoli—Villa Adriana (IT)

(72) Inventor: **Mario Sgreccia**, Marino (IT)

(73) Assignee: **TRELLEBORG WHEEL SYSTEMS ITALIA S.P.A.**, Villa Adriana (IT)

(\*) Notice: This patent is subject to a terminal disclaimer.

(\*\*) Term: **15 Years**

(21) Appl. No.: **29/702,945**

(22) Filed: **Aug. 22, 2019**

(30) **Foreign Application Priority Data**

Feb. 25, 2019 (EM) ..... 006266433

(51) **LOC (13) Cl.** ..... **12-15**

(52) **U.S. Cl.**  
USPC ..... **D12/579**

(58) **Field of Classification Search**  
USPC ..... D12/579, 580, 586, 587, 588, 594, 595,  
D12/600, 601  
CPC .. B60C 11/0306; B60C 11/0309; B60C 11/04  
See application file for complete search history.

(56) **References Cited**

U.S. PATENT DOCUMENTS

D66,596 S *	2/1925	Willshaw .....	D12/552
D212,271 S *	9/1968	Duncan .....	D12/587
D216,354 S *	12/1969	Cvengros et al. ....	D12/587
D230,259 S *	2/1974	Schuster .....	D12/587
D261,256 S *	10/1981	Yamazaki .....	D12/587
D284,649 S *	7/1986	Kwee .....	D12/587
D481,668 S *	11/2003	Hanna .....	D12/579
D484,091 S *	12/2003	Okamoto .....	D12/587
D628,954 S *	12/2010	Shan .....	D12/587
D781,779 S *	3/2017	Anderson .....	D12/587
D789,283 S *	6/2017	Song .....	D12/587

\* cited by examiner

*Primary Examiner* — Robert M. Spear

(74) *Attorney, Agent, or Firm* — King & Schickli, PLLC

(57) **CLAIM**

The ornamental design for a tire, as shown and described.

**DESCRIPTION**

FIG. 1 is a perspective view of a tire according to my new design;

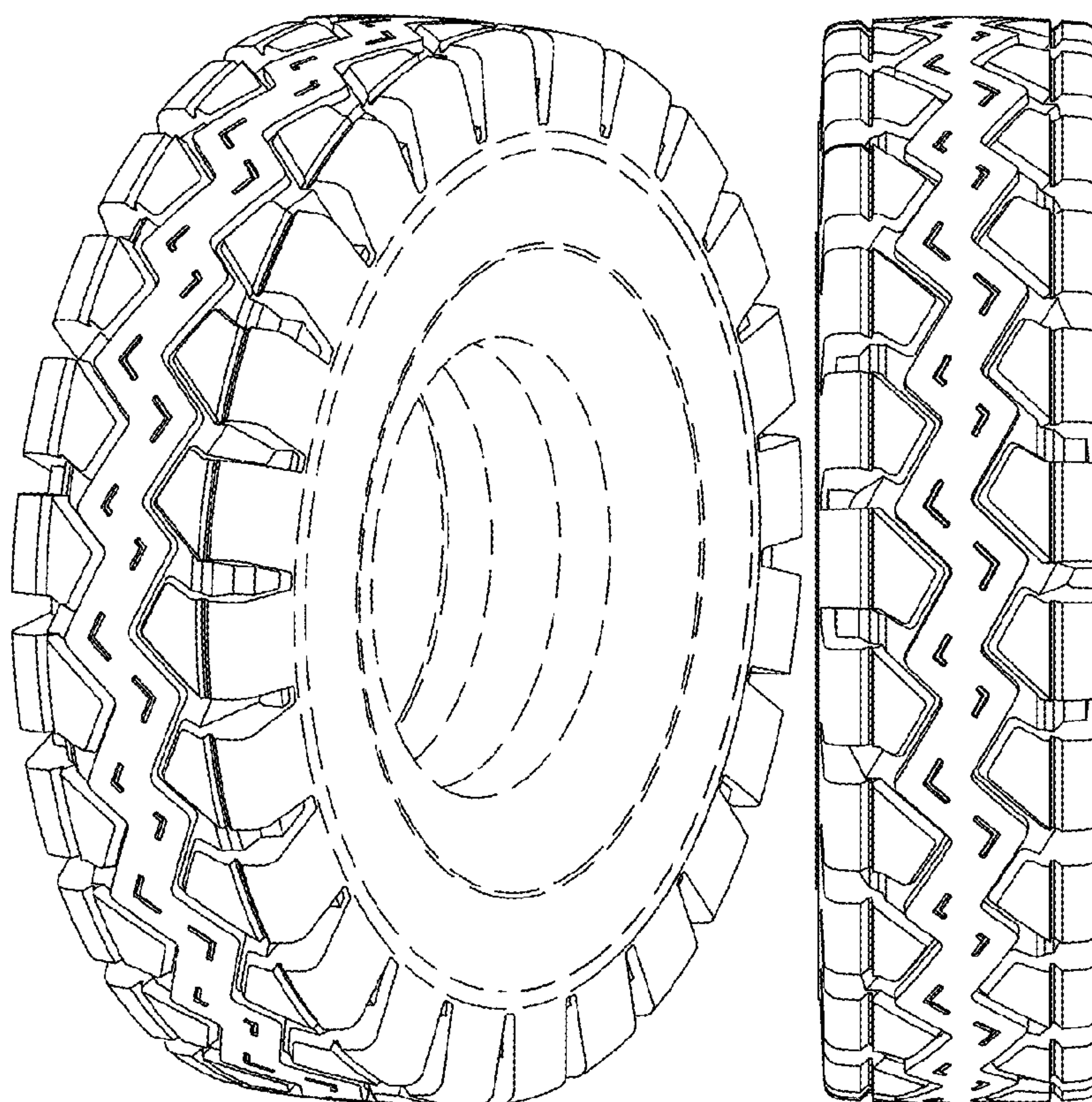
FIG. 2 is a front side view thereof;

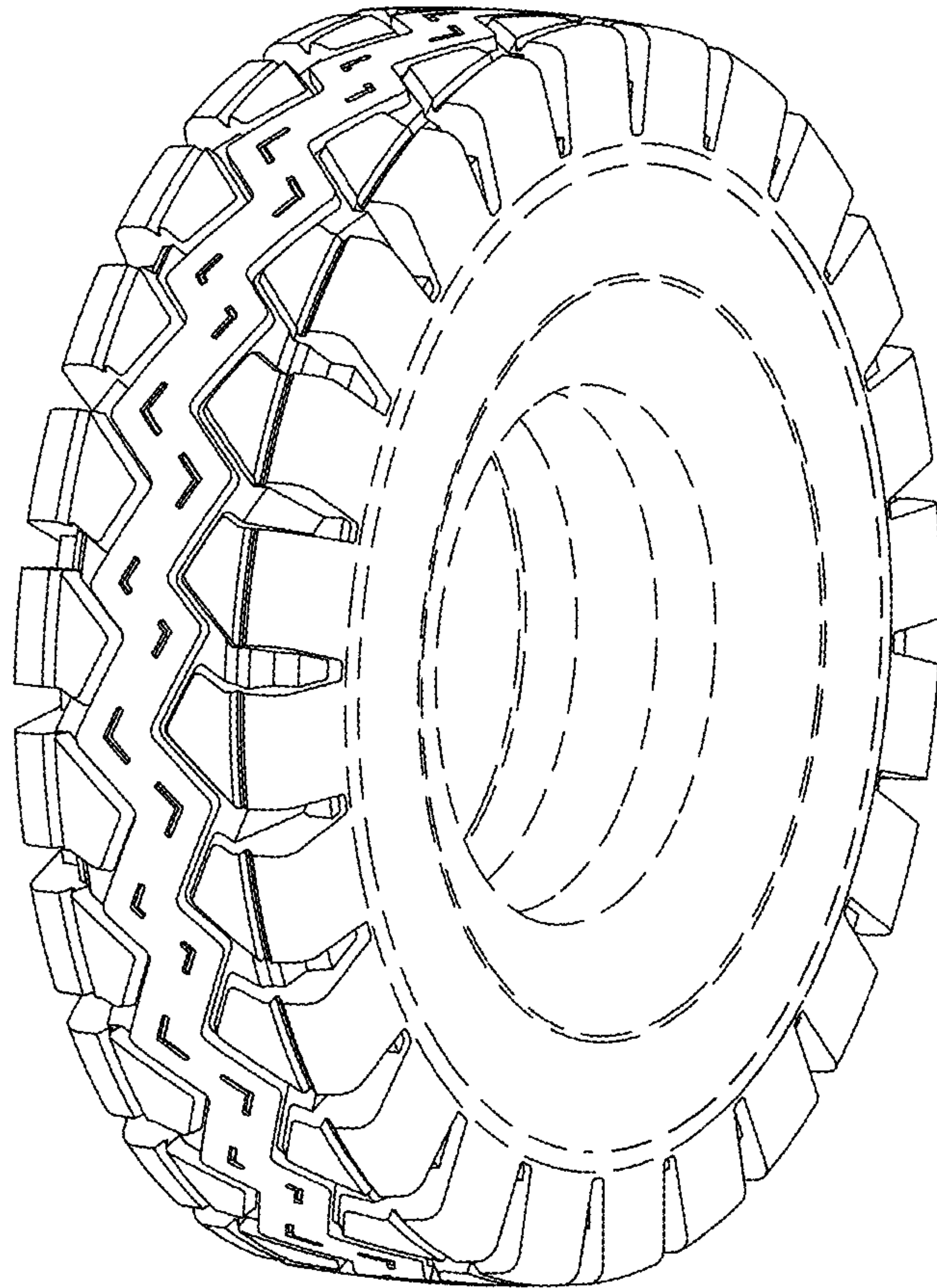
FIG. 3 is a right side view thereof, the left side view being a mirror image; and,

FIG. 4 is a rear view thereof.

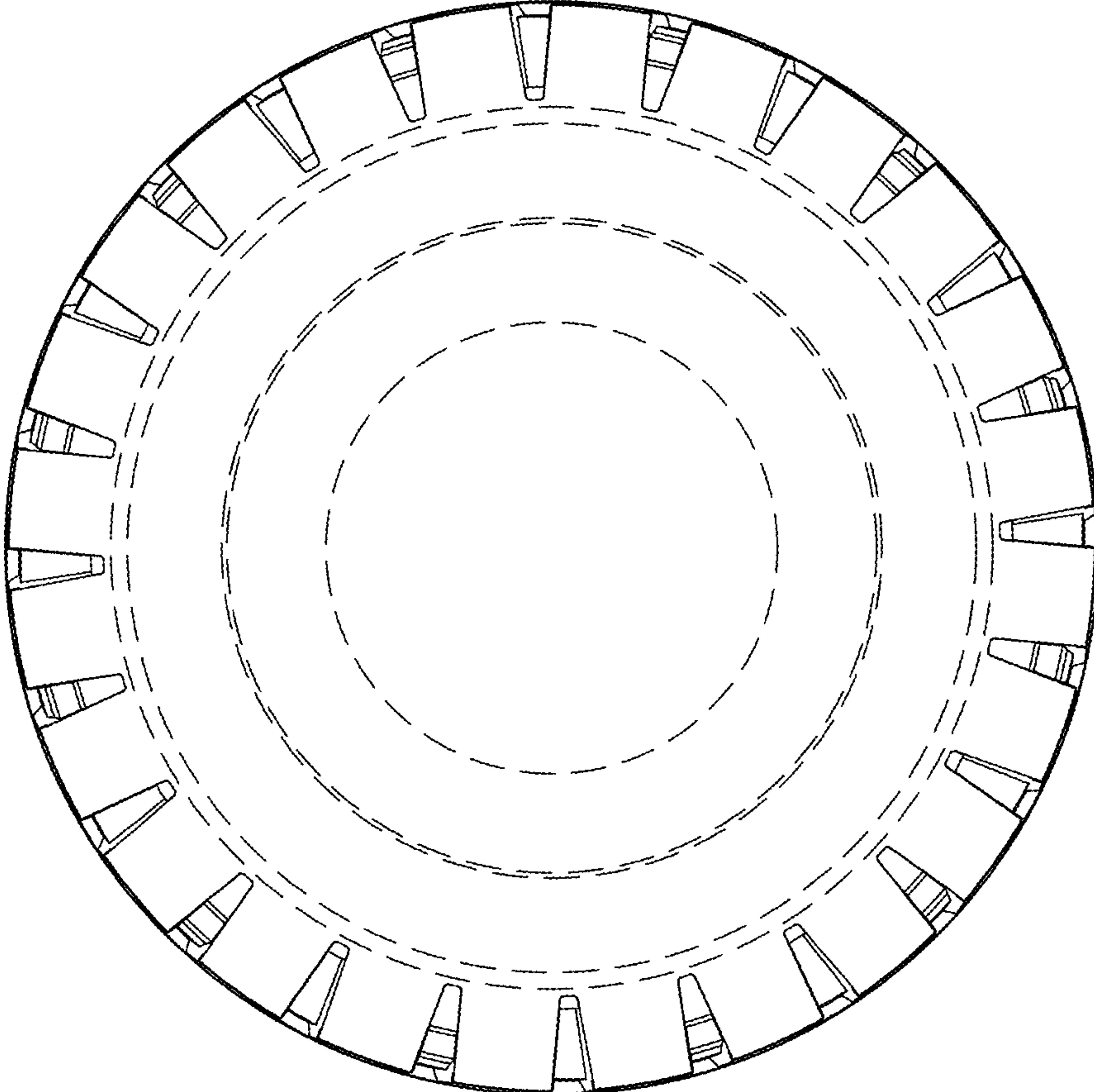
The broken line depictions illustrate unclaimed portions of the tire.

**1 Claim, 4 Drawing Sheets**



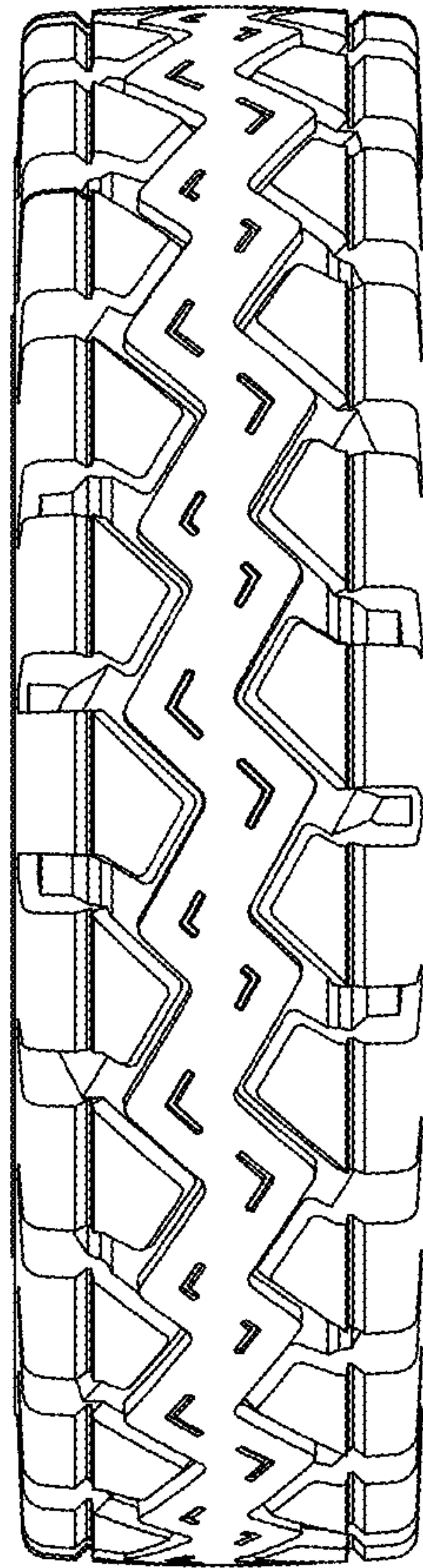


*Fig. 1*

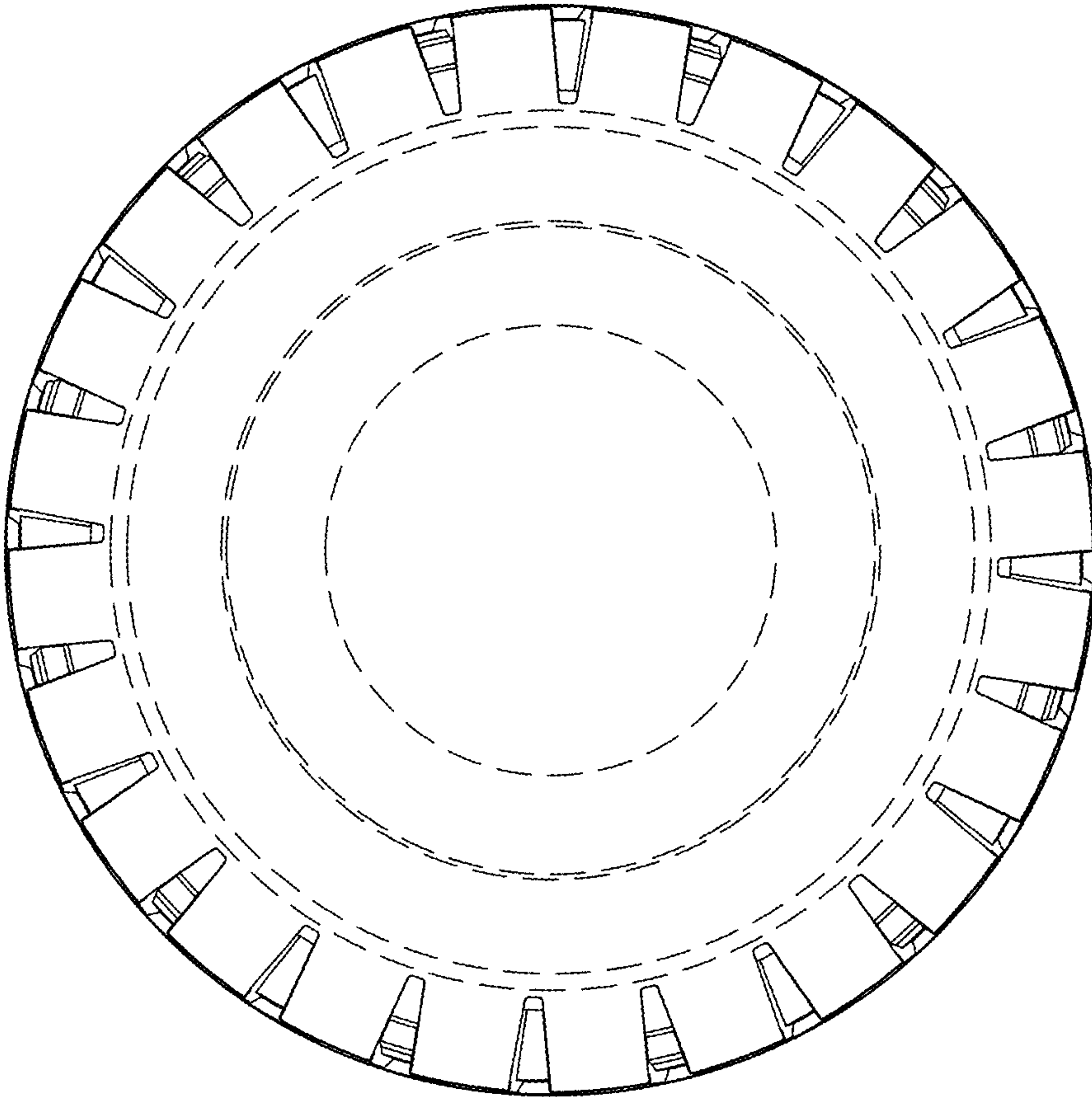


*Fig. 2*





*Fig. 3*



*Fig. 4*