



US00D913909S

(12) **United States Design Patent**
Guo

(10) **Patent No.:** **US D913,909 S**
(45) **Date of Patent:** **** Mar. 23, 2021**

(54) **CAR SEAT BACK ORGANIZER**
(71) Applicant: **Youwei Guo**, Shenzhen (CN)
(72) Inventor: **Youwei Guo**, Shenzhen (CN)
(**) Term: **15 Years**

D801,910 S * 11/2017 Salisbury D12/416
D877,044 S * 3/2020 Currier D12/416
D879,014 S * 3/2020 Hartlund D12/416
D881,793 S * 4/2020 Huang D12/416

* cited by examiner

(21) Appl. No.: **29/698,331**

Primary Examiner — Abraham Bahta
(74) *Attorney, Agent, or Firm* — Hemisphere Law, PLLC;
Zhigang Ma

(22) Filed: **Jul. 16, 2019**

(51) **LOC (13) Cl.** **12-16**

(52) **U.S. Cl.**
USPC **D12/416**

(58) **Field of Classification Search**
USPC D3/274, 273, 276, 283, 284–289, 905,
D3/203.1, 203.6, 205, 313–315, 215, 243,
D3/244, 299, 902, 318–319; D12/400,
D12/191, 345, 96; D7/605, 607; 296/36,
296/37.8–37.16; 224/404, 572, 275, 277,
224/400, 276; 297/232, 248, 188.01,
297/188.18, 188.2; D19/78, 86;
206/214, 224, 371
CPC A45C 3/04; A45C 3/00; A45C 5/05; A45C
11/20; A45C 11/00; B42F 9/00; B42F
9/002; B42F 9/004; B42F 11/00; B42F
11/04; A47G 1/06; A47G 1/12
See application file for complete search history.

(57) **CLAIM**

The ornamental design for a car seat back organizer, as shown and described.

DESCRIPTION

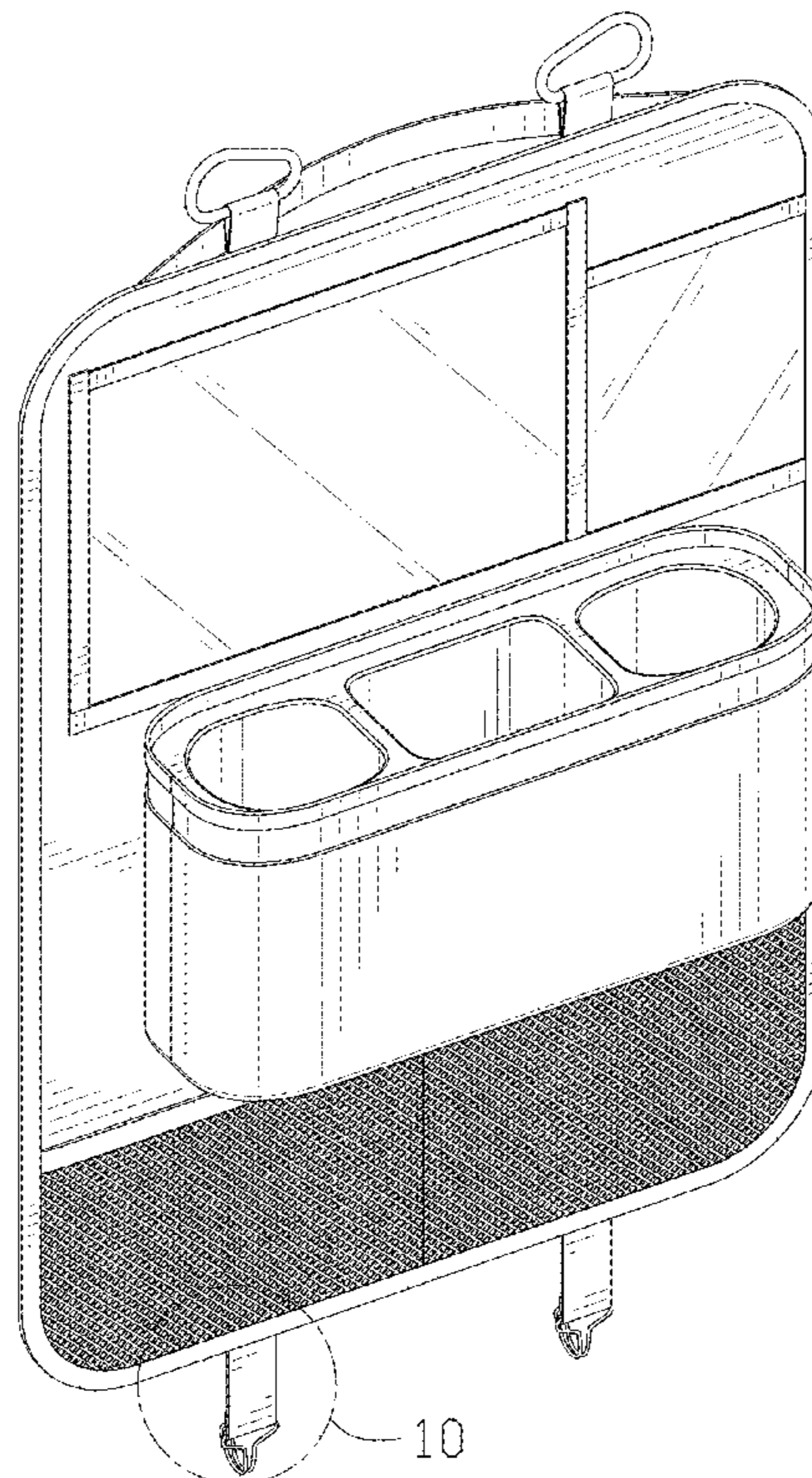
FIG. 1 is a first perspective view of a car seat back organizer, showing my new design.
FIG. 2 is a second perspective view thereof.
FIG. 3 is a third perspective view thereof.
FIG. 4 is a front elevation view thereof.
FIG. 5 is a rear elevation view thereof.
FIG. 6 is a left side elevation view thereof.
FIG. 7 is a right side elevation view thereof.
FIG. 8 is a top plan view thereof.
FIG. 9 is a bottom plan view thereof; and,
FIG. 10 is an enlarged view of an area labeled 10 in FIG. 1 of the car seat back organizer.

(56) **References Cited**

U.S. PATENT DOCUMENTS

D539,037 S * 3/2007 Bergh D12/416
D658,568 S * 5/2012 Currier D12/416

1 Claim, 10 Drawing Sheets



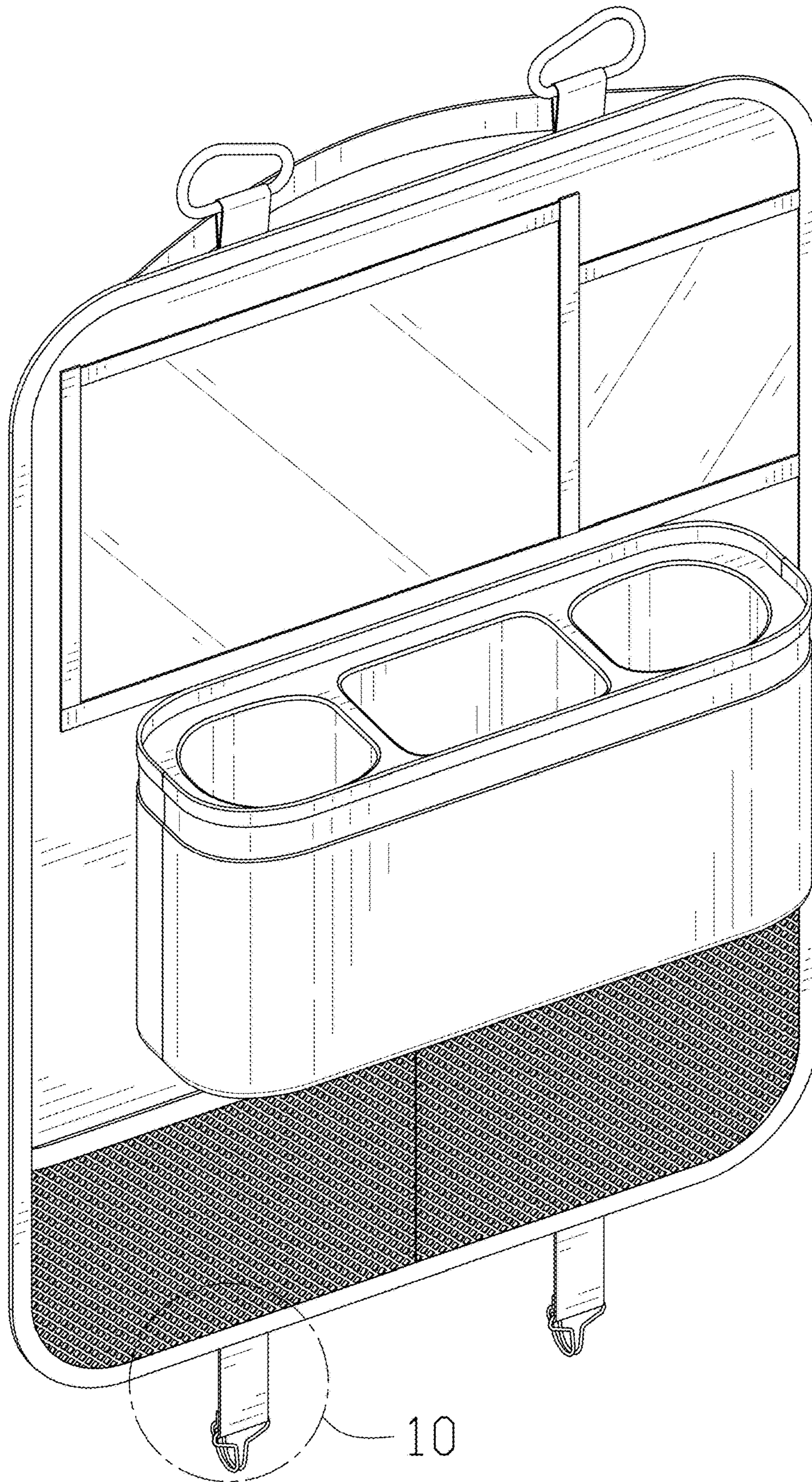


FIG. 1



FIG. 2

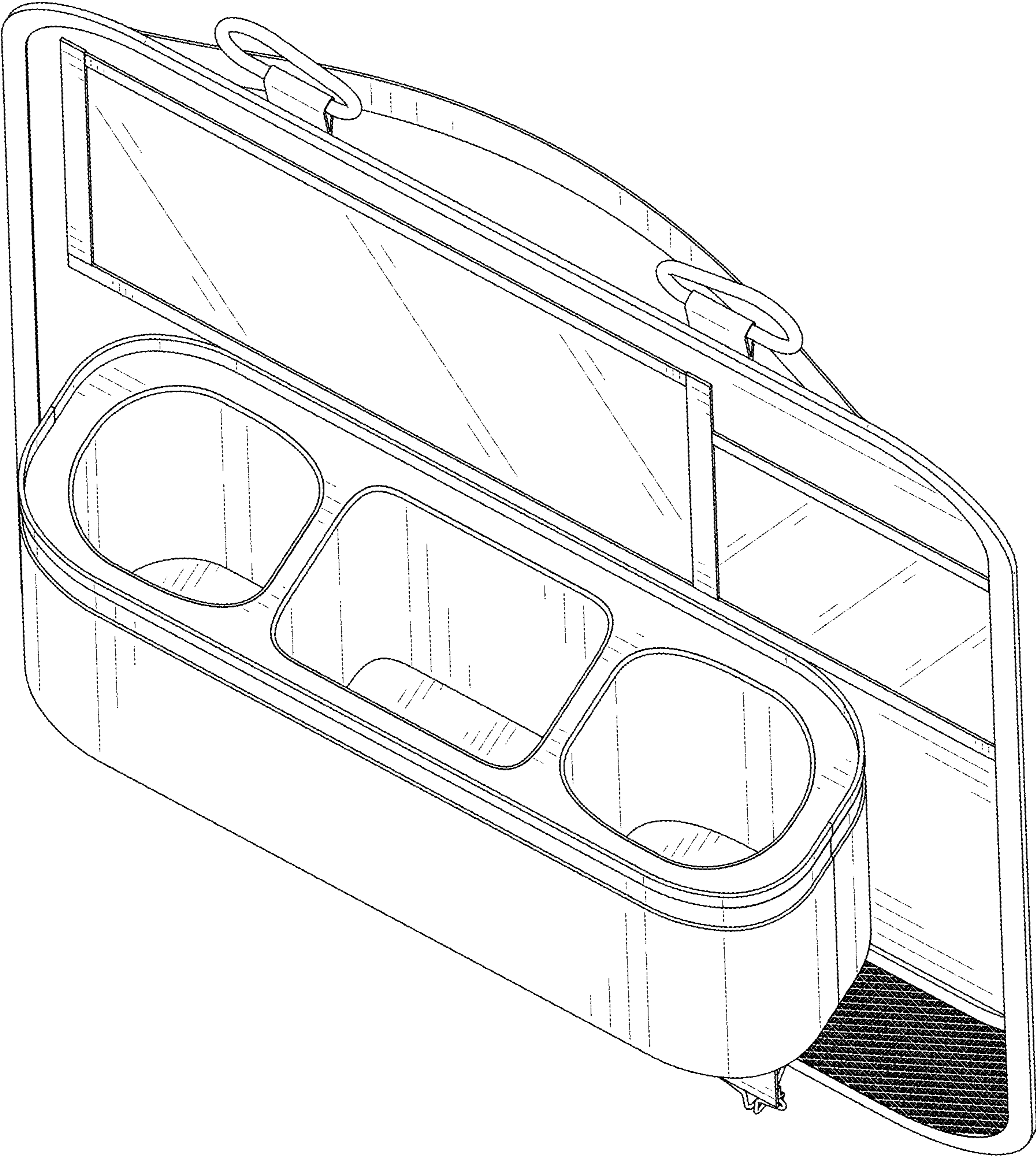


FIG. 3

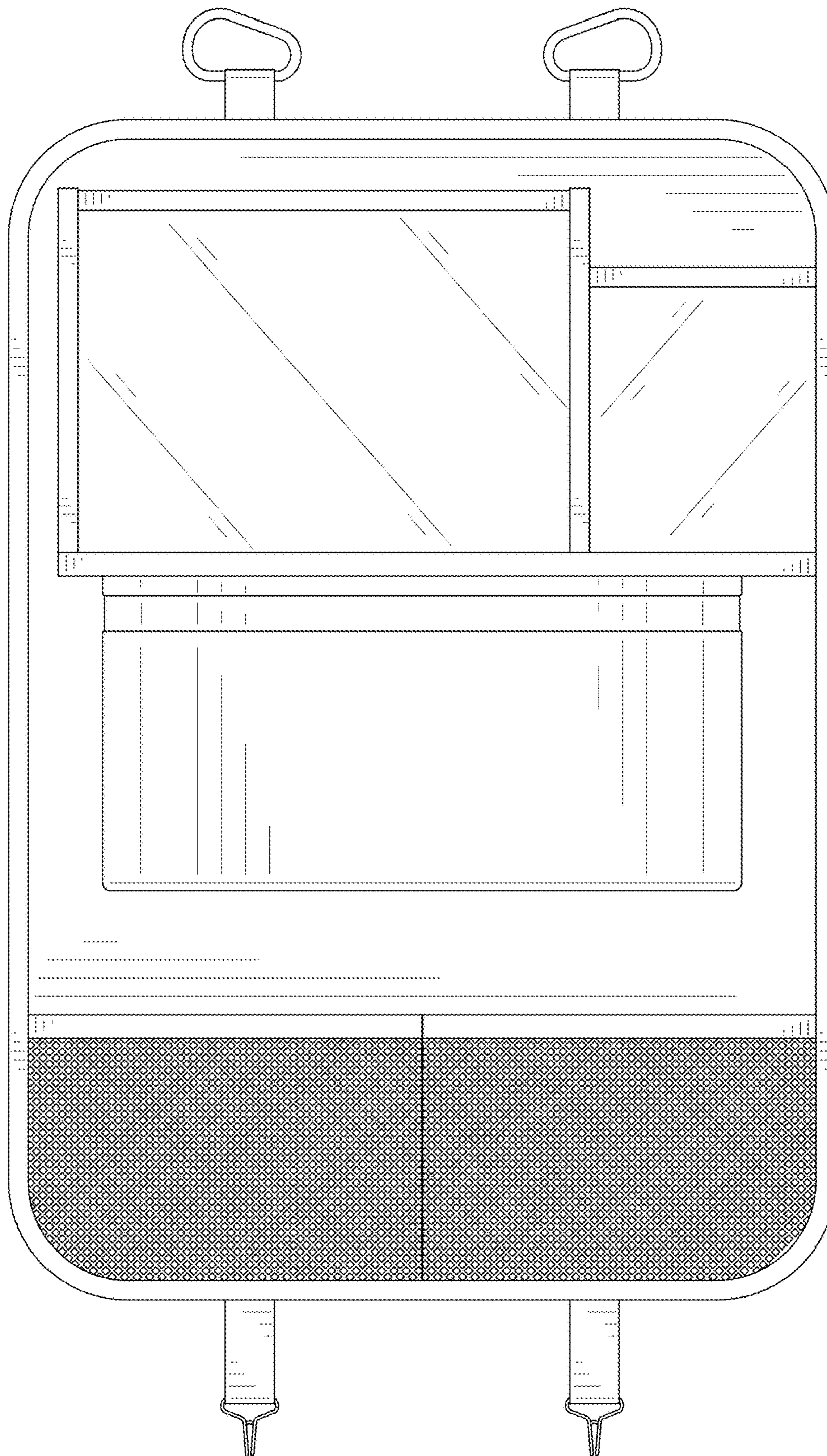


FIG. 4

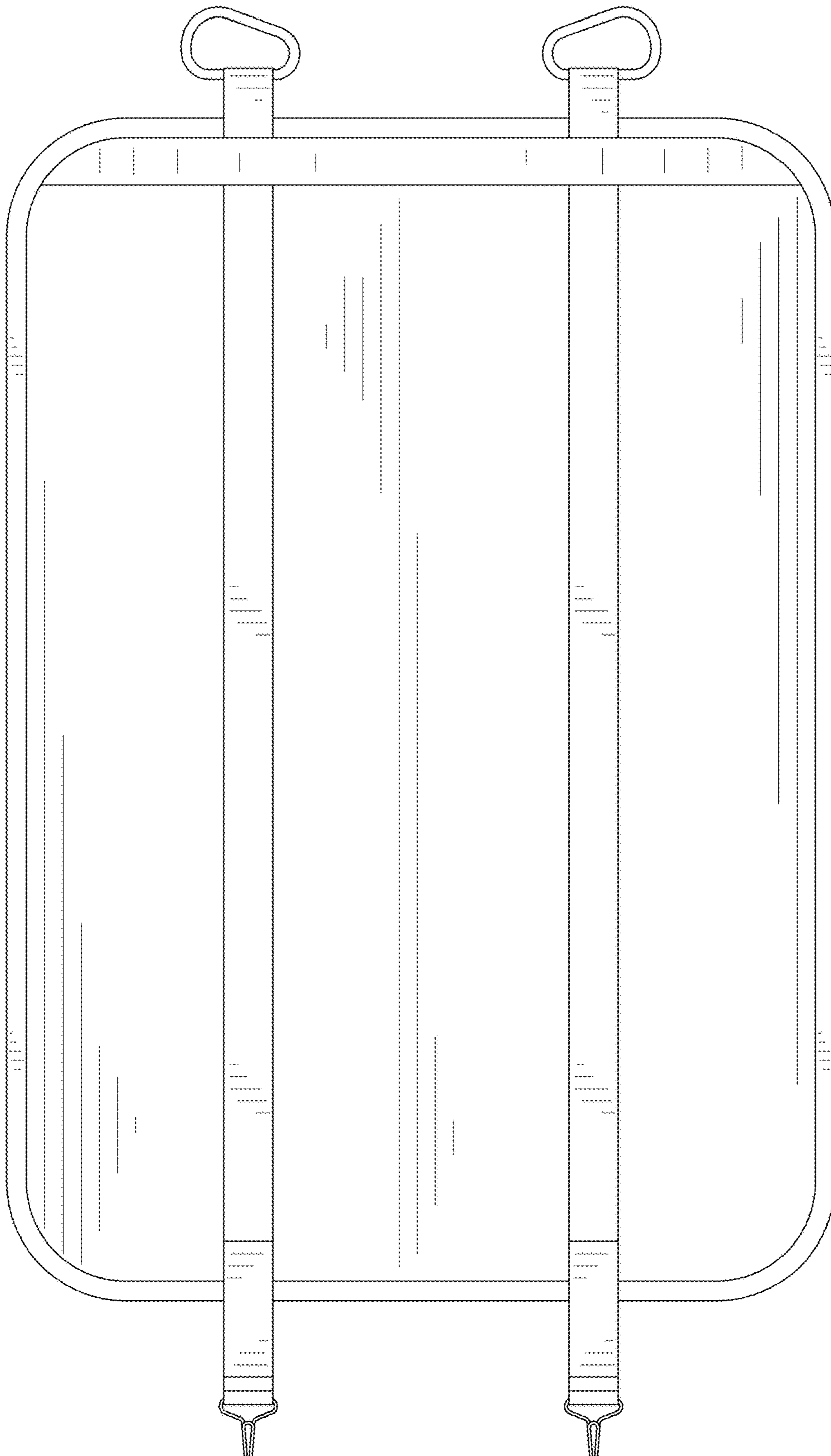


FIG. 5

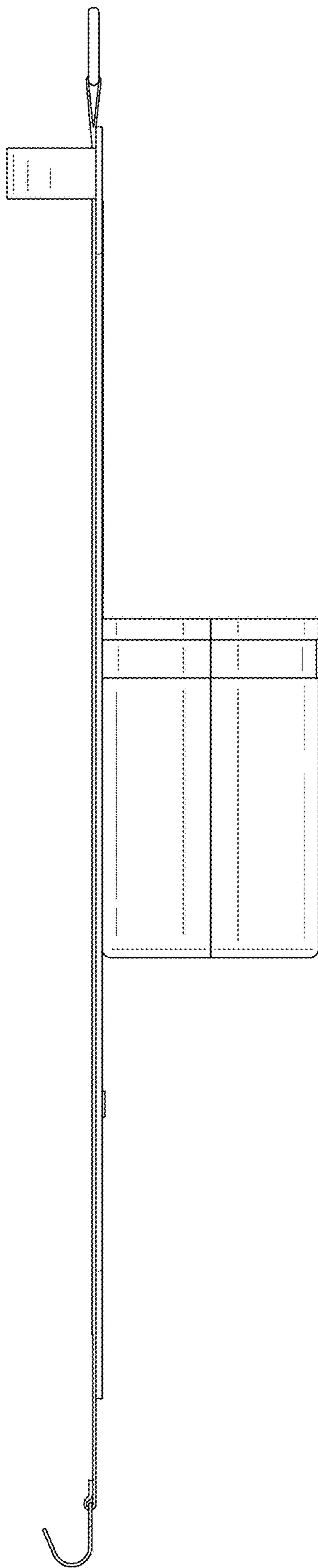


FIG. 6

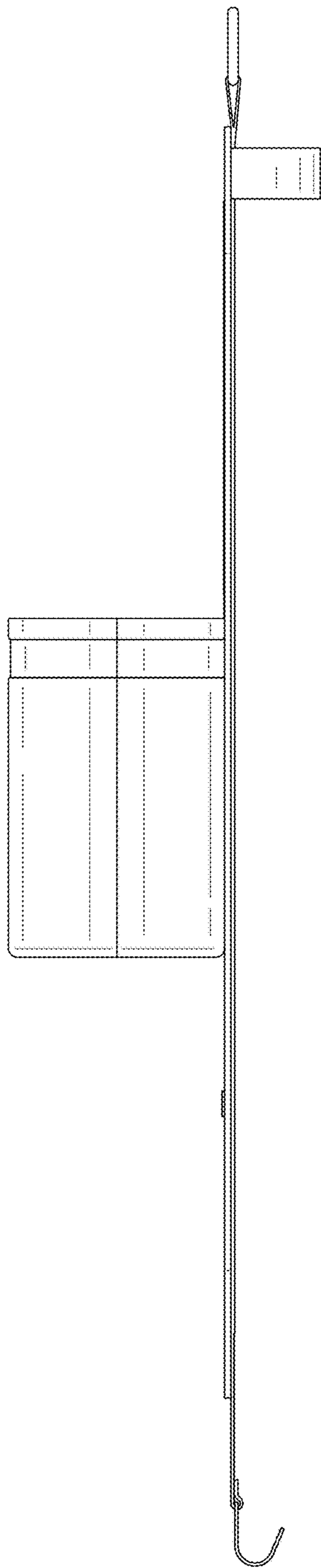


FIG. 7

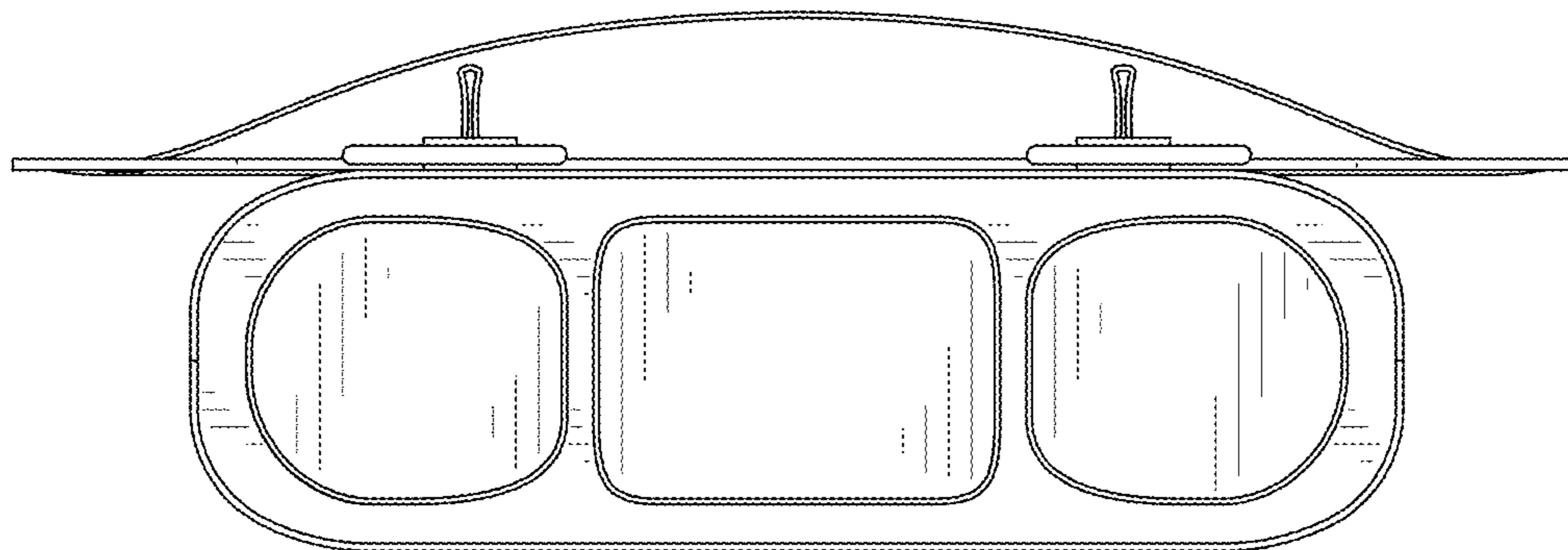


FIG. 8

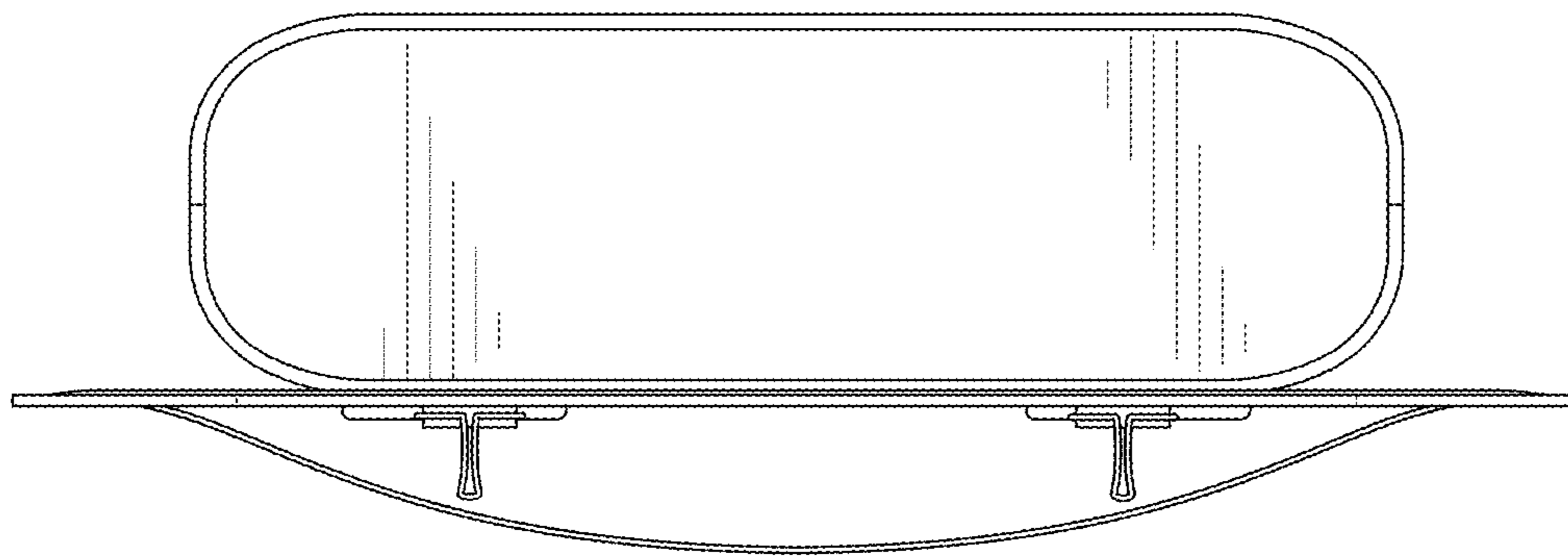


FIG. 9

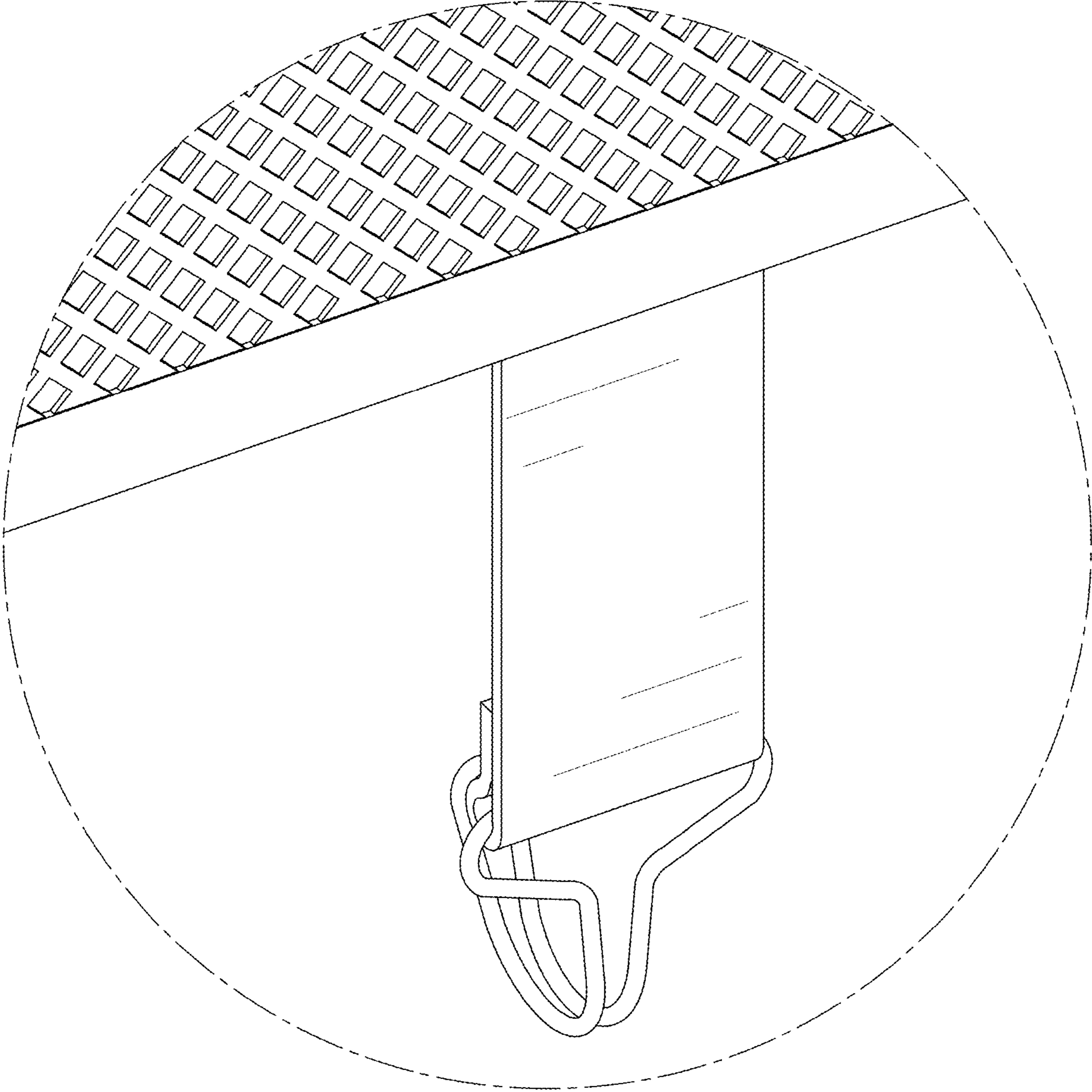


FIG. 10