



US00D913905S

(12) **United States Design Patent** (10) **Patent No.:** **US D913,905 S**  
**Zhang et al.** (45) **Date of Patent:** **\*\* \*Mar. 23, 2021**

(54) **FLYING CAR**

(56) **References Cited**

(71) Applicant: **Great Wall Motor Company Limited**,  
Baoding (CN)

U.S. PATENT DOCUMENTS

(72) Inventors: **Kai Zhang**, Baoding (CN); **Hang Ge**,  
Baoding (CN); **Shilong Zhang**,  
Baoding (CN); **Limin Deng**, Baoding  
(CN); **Wenfei Wei**, Baoding (CN);  
**Longbao Zhen**, Baoding (CN); **Jian**  
**Gao**, Baoding (CN); **Hongliang Liu**,  
Baoding (CN); **Jianyong Ge**, Baoding  
(CN); **Wenfeng Cui**, Baoding (CN)

D189,562 S *	1/1961	Nelson .....	D12/330
D193,369 S *	8/1962	Walker .....	D12/330
D454,109 S *	3/2002	Moshier .....	D12/319
D634,257 S *	3/2011	Alexander .....	D12/326
D678,169 S *	3/2013	Kennelly .....	D12/319
D684,642 S *	6/2013	Li .....	D12/328
D695,205 S *	12/2013	Guzman .....	D12/326
D696,618 S *	12/2013	Wang .....	D12/326
D741,247 S *	10/2015	Brody .....	D12/326
D751,025 S *	3/2016	Howell .....	D12/16.1
D761,690 S *	7/2016	Friesmuth .....	D12/16.1
D776,569 S *	1/2017	Baruchin .....	D12/16.1
D776,570 S *	1/2017	Baruchin .....	D12/16.1
D779,595 S *	2/2017	Xiao .....	D12/16.1
D801,856 S *	11/2017	Zhou .....	D12/16.1
D803,724 S *	11/2017	Zhou .....	D12/16.1
D814,350 S *	4/2018	Joo .....	D12/16.1
D816,583 S *	5/2018	Dutertre .....	D12/328
D817,812 S *	5/2018	Whitten, Jr. ....	D12/16.1
9,963,228 B2 *	5/2018	McCullough .....	B64C 11/28
D822,579 S *	7/2018	Lienhard .....	D12/328
D843,304 S *	3/2019	MacAndrew .....	D12/319
D843,305 S *	3/2019	MacAndrew .....	D12/319
D843,919 S *	3/2019	Tzarnotzky .....	D12/329

(73) Assignee: **GREAT WALL MOTOR COMPANY LIMITED**, Baoding (CN)

(\*) Notice: This patent is subject to a terminal disclaimer.

(\*\*) Term: **15 Years**

(21) Appl. No.: **29/677,285**

(22) Filed: **Jan. 18, 2019**

(30) **Foreign Application Priority Data**

Jul. 20, 2018 (CN) ..... 201830392325.8

(51) **LOC (13) Cl.** ..... **12-07**

(52) **U.S. Cl.**  
USPC ..... **D12/327**

(58) **Field of Classification Search**  
USPC ..... D12/1, 2, 3, 4, 16.1, 319-345;  
D21/437-455  
CPC ..... B64C 29/0033; B64C 2201/021; B64C  
29/02; B64C 2201/088; B64C 2201/104;  
B64C 2201/141

See application file for complete search history.

(Continued)

*Primary Examiner* — Marissa J Cash

(74) *Attorney, Agent, or Firm* — Volpe Koenig

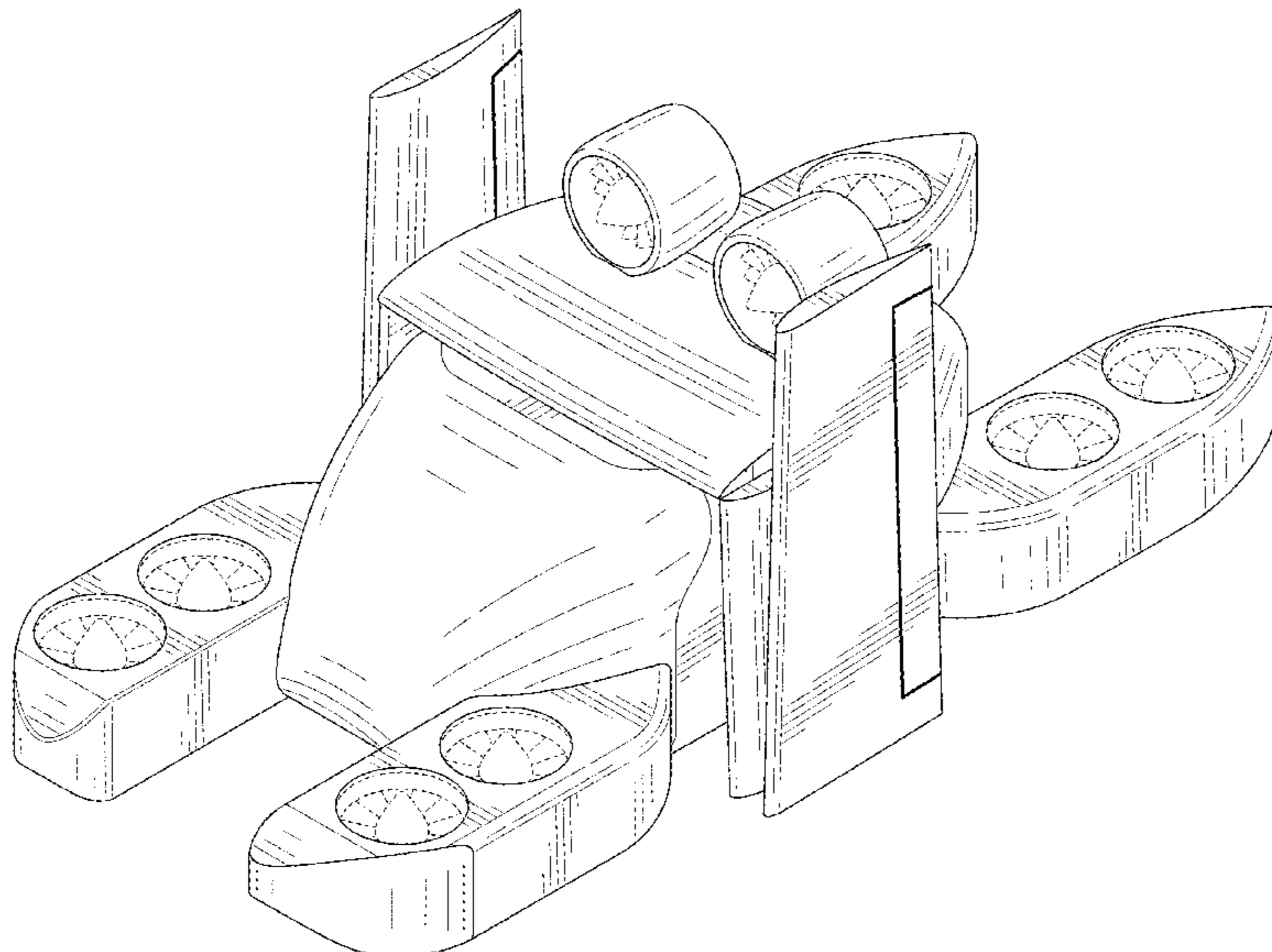
(57) **CLAIM**

The ornamental design for flying car, as shown and described.

**DESCRIPTION**

FIG. 1 is a front view of the claimed design;  
FIG. 2 is a left view of the claimed design;  
FIG. 3 is a right view of the claimed design;  
FIG. 4 is a back view of the claimed design;  
FIG. 5 is a top view of the claimed design;  
FIG. 6 is a bottom view of the claimed design; and,  
FIG. 7 is a perspective view of the claimed design.

**1 Claim, 7 Drawing Sheets**



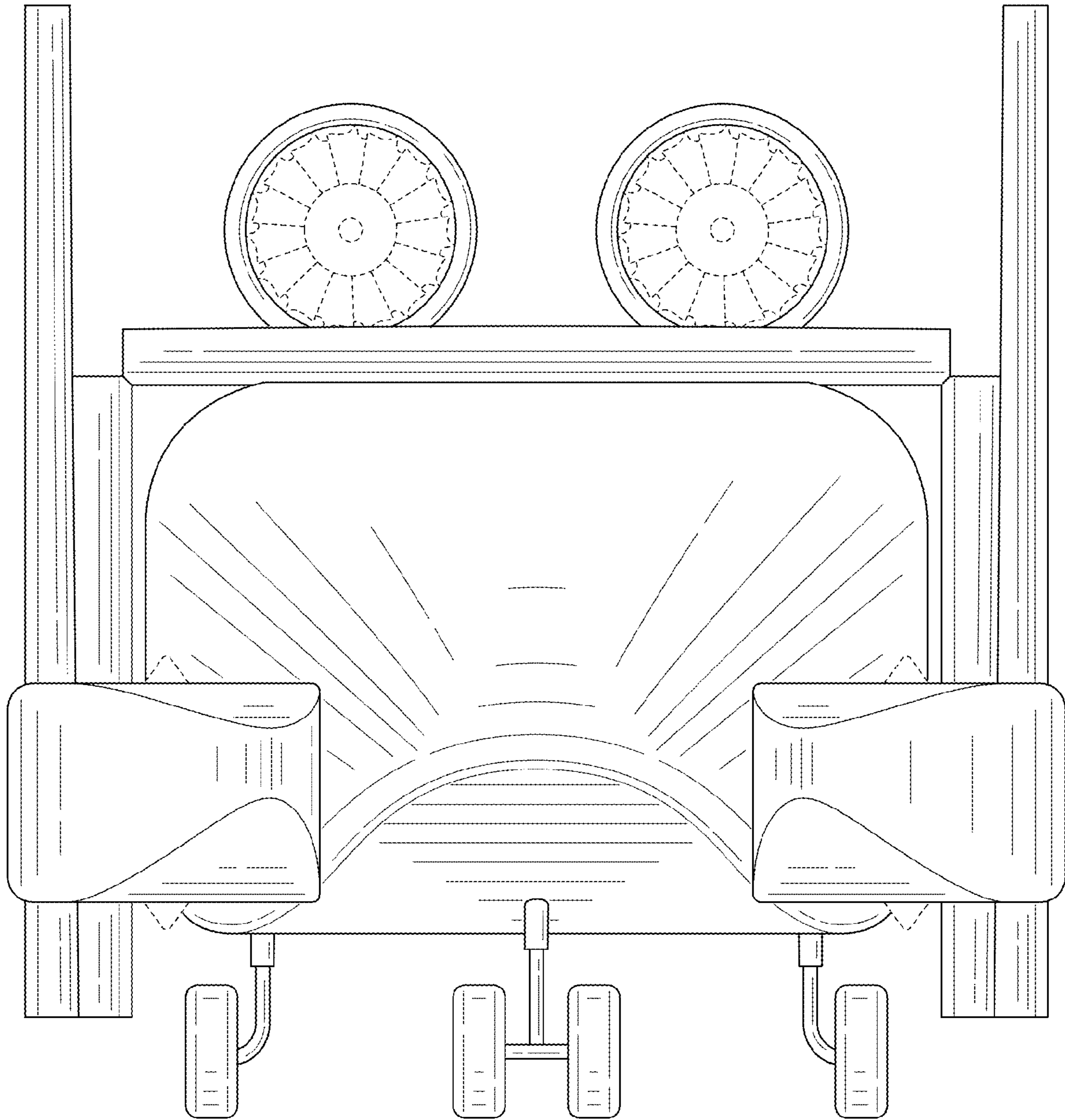
(56)

**References Cited**

## U.S. PATENT DOCUMENTS

D850,357 S \* 6/2019 Cummings ..... D12/326  
10,317,914 B2 \* 6/2019 Douglas ..... B64C 29/0008  
10,414,483 B2 \* 9/2019 Ivans ..... B64C 1/30  
10,421,541 B2 \* 9/2019 Groninga ..... B64C 3/385  
D862,361 S \* 10/2019 Corning ..... D12/330  
D866,394 S \* 11/2019 Shih ..... D12/16.1  
D868,668 S \* 12/2019 Parvizian ..... D12/328  
D872,004 S \* 1/2020 Nunes ..... D12/328  
D872,681 S \* 1/2020 Tzarnotzky ..... D12/329  
D873,200 S \* 1/2020 Langford, III ..... D12/319  
D873,201 S \* 1/2020 Langford, III ..... D12/319  
D873,202 S \* 1/2020 Tzarnotzky ..... D12/329  
2012/0012692 A1 \* 1/2012 Kroo ..... B64C 3/56  
244/6  
2012/0234968 A1 \* 9/2012 Smith ..... B64C 29/0033  
244/12.3  
2017/0174336 A1 \* 6/2017 Baba ..... B64C 1/30  
2017/0369162 A1 \* 12/2017 Alzahrani ..... B64C 29/0033  
2018/0057157 A1 \* 3/2018 Groninga ..... B64C 27/82

\* cited by examiner



**FIG. 1**

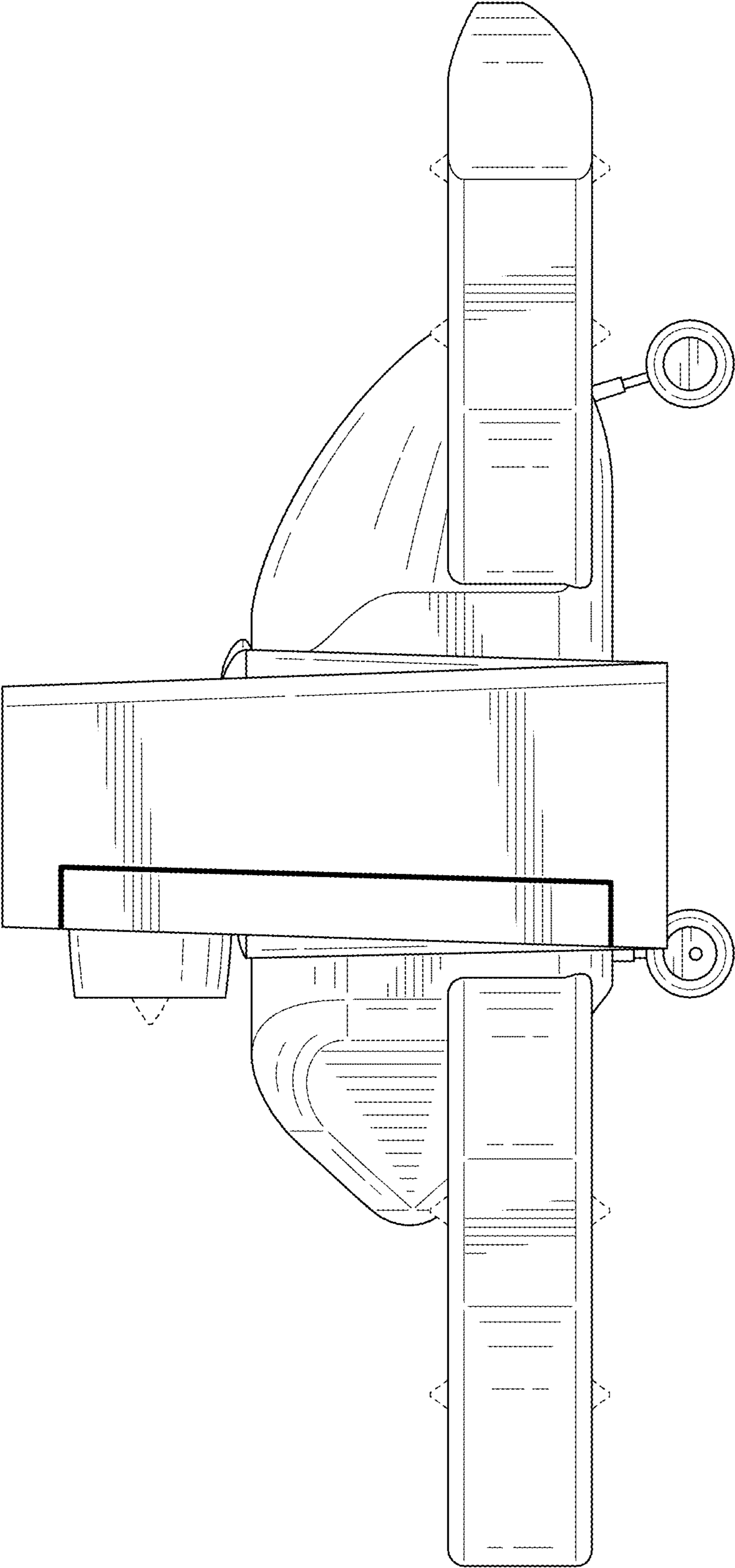


FIG. 2

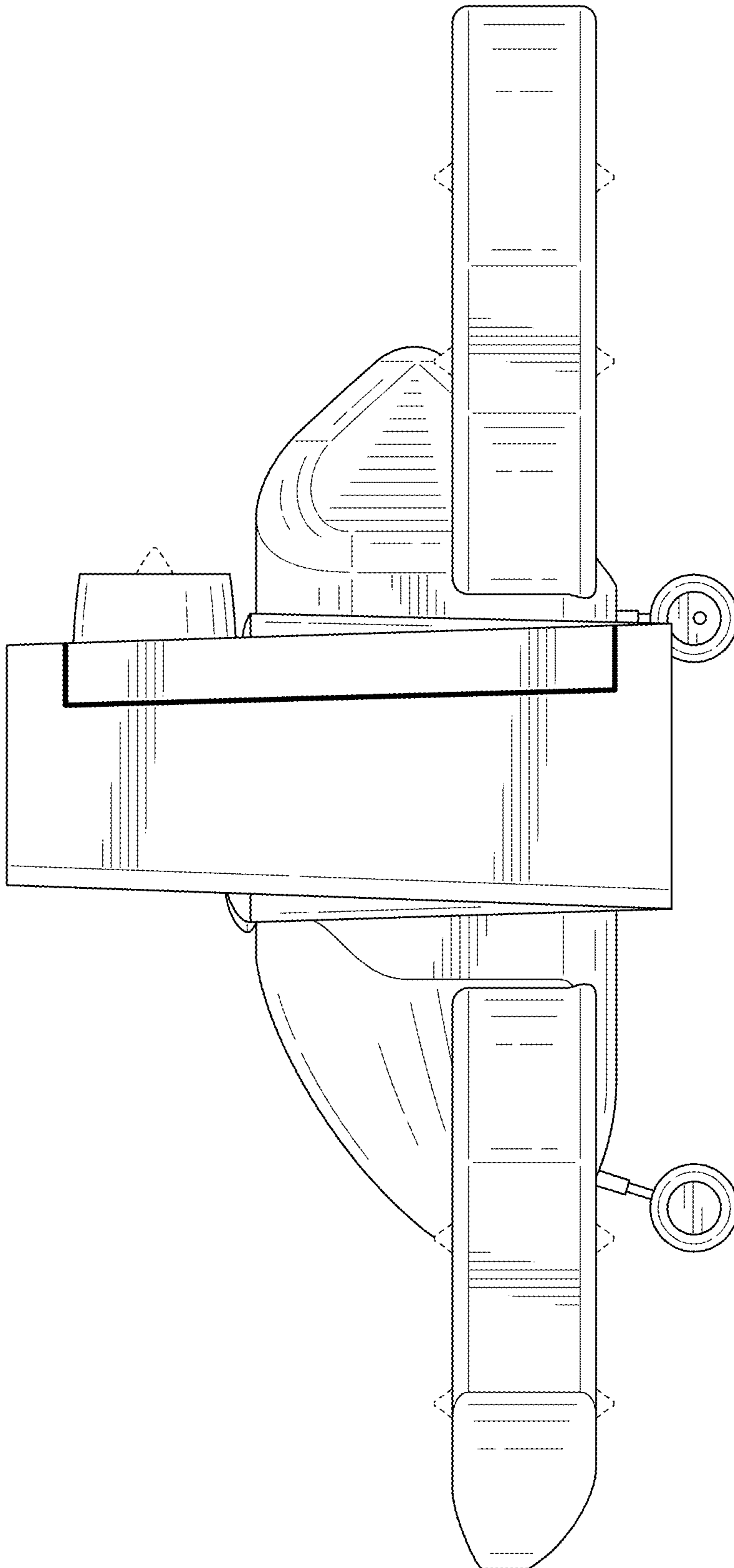


FIG. 3

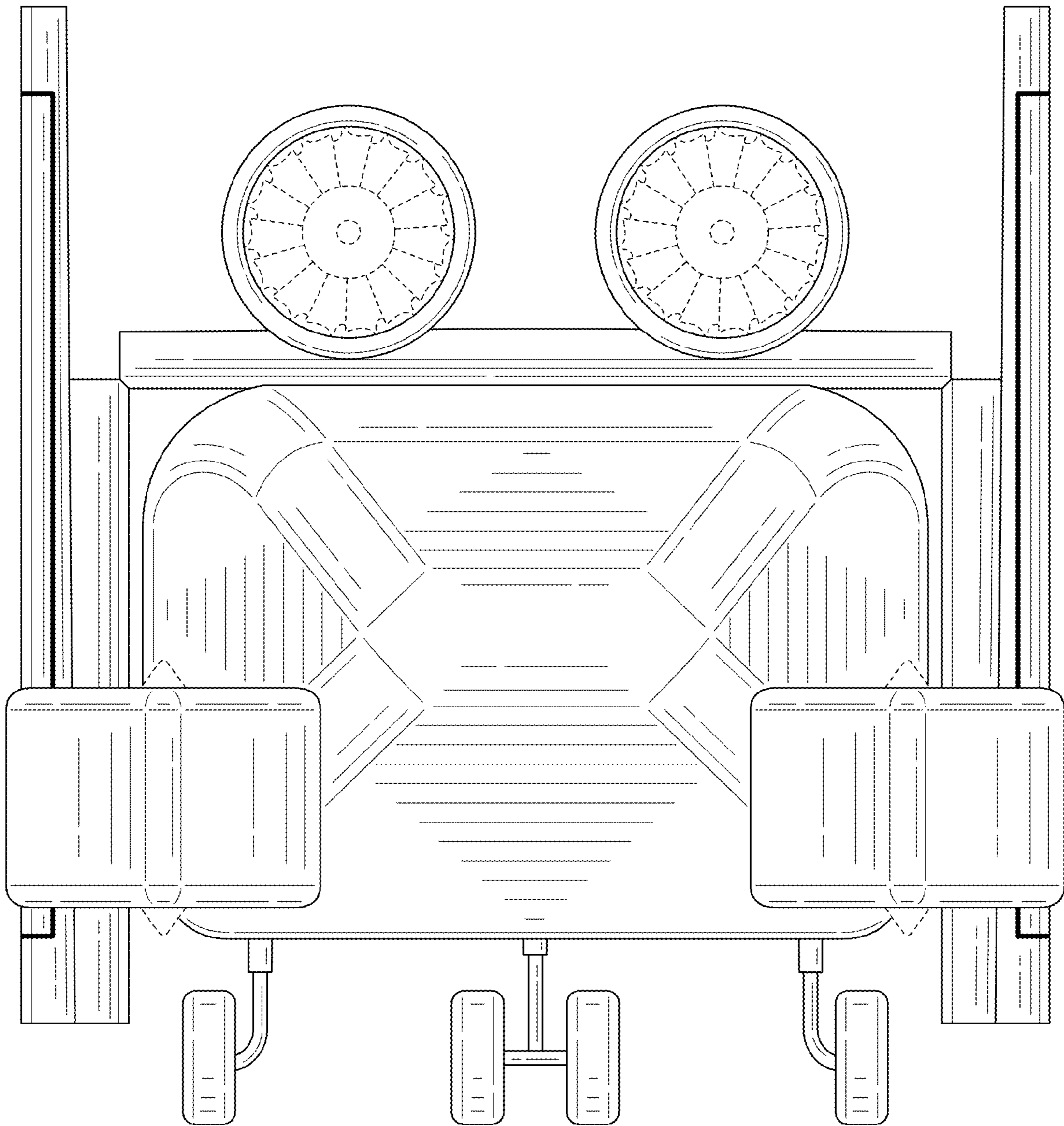


FIG. 4

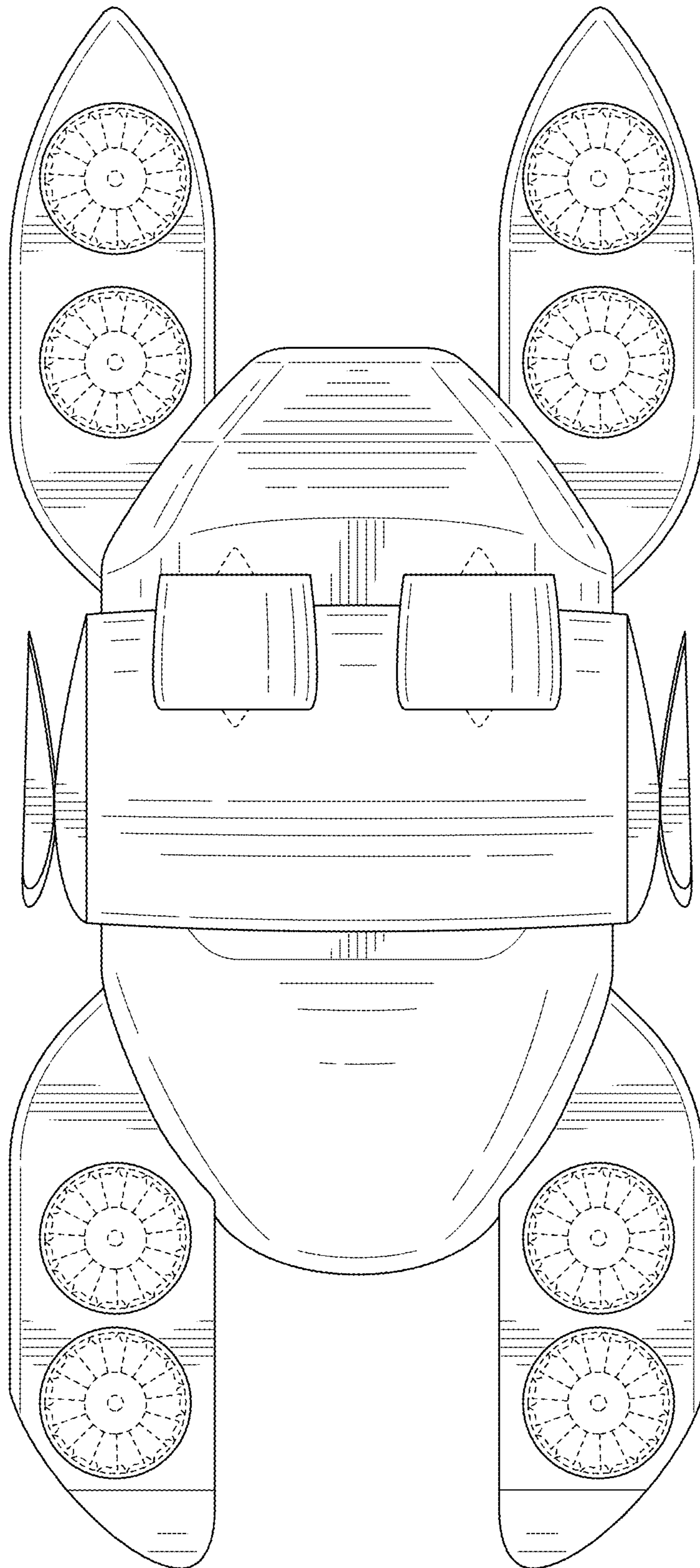


FIG. 5

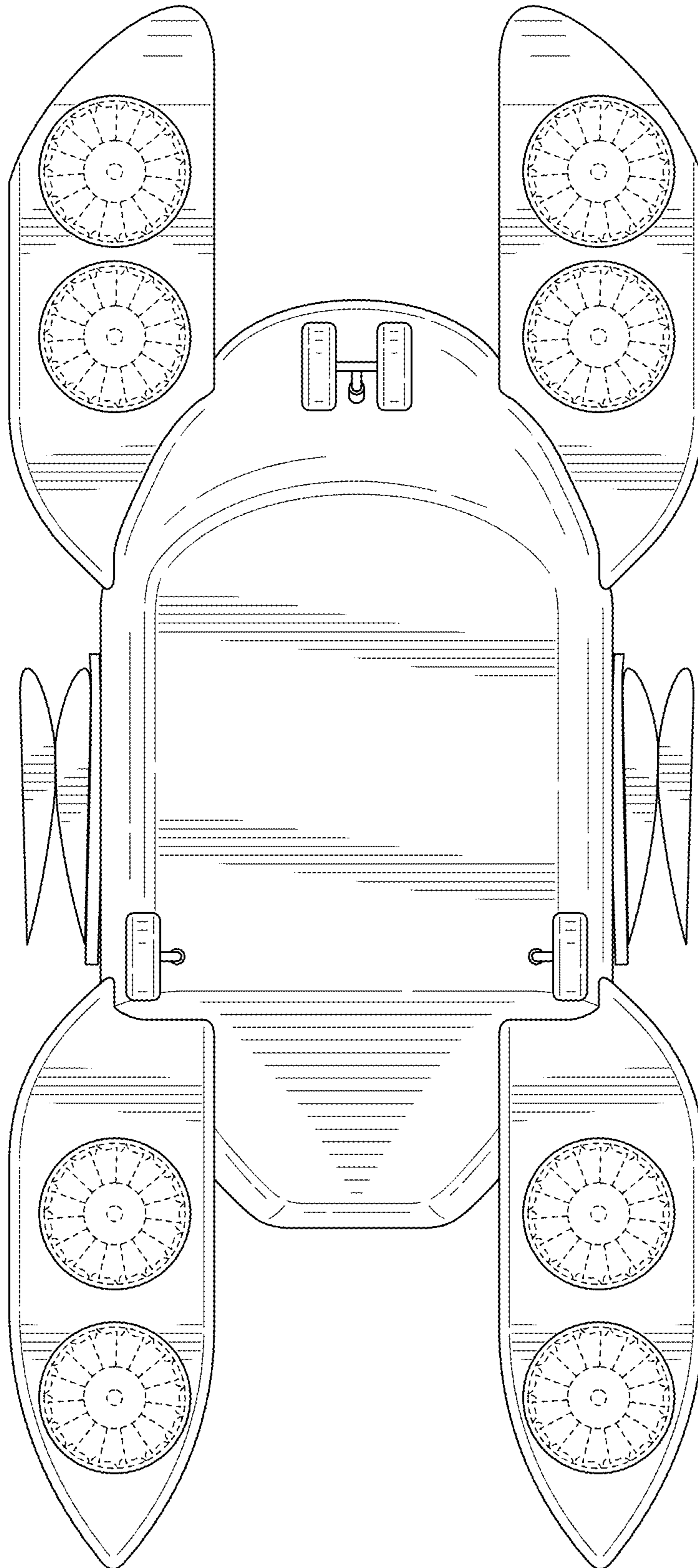


FIG. 6



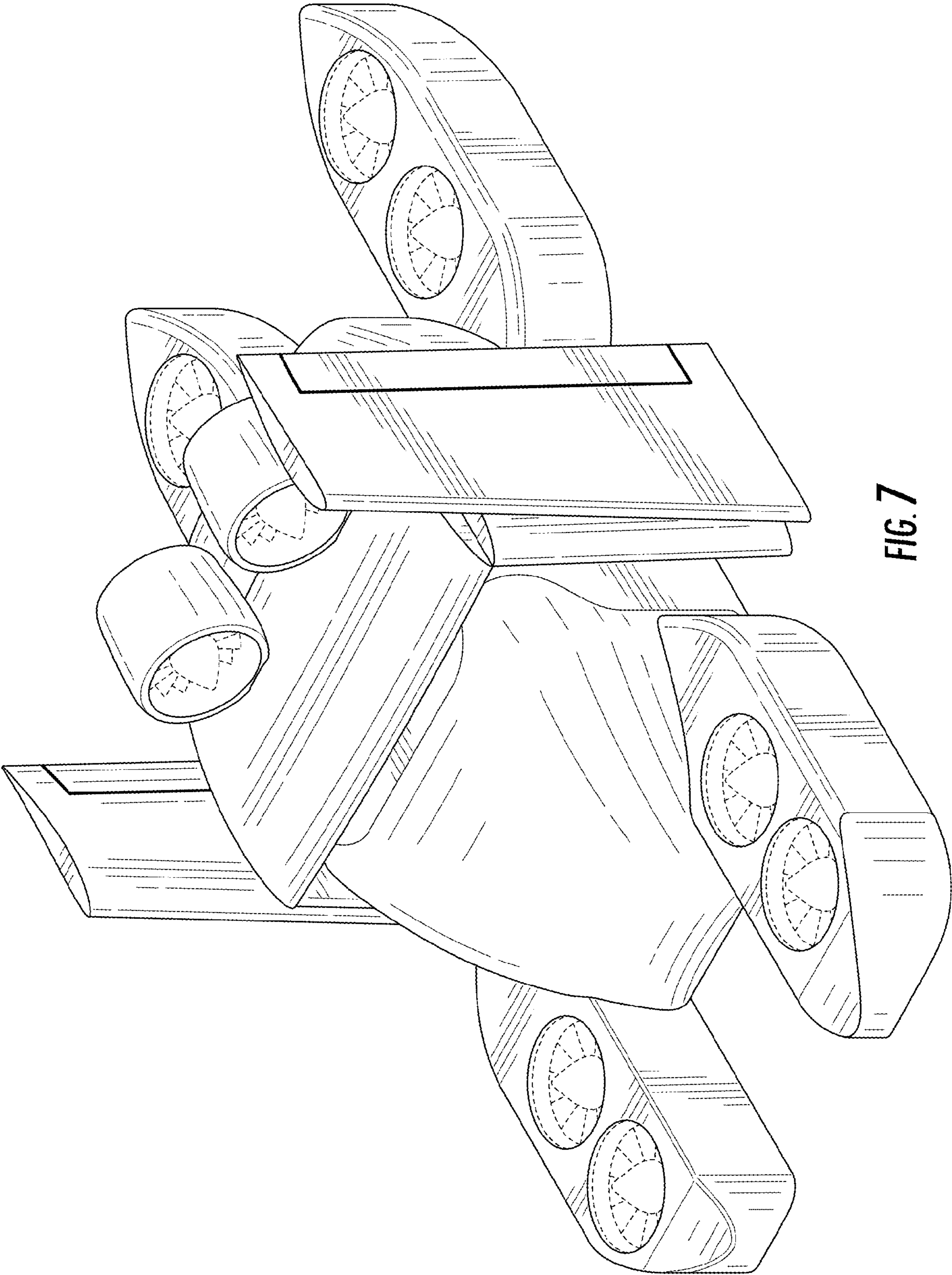


FIG. 7