



US00D913903S

(12) **United States Design Patent** (10) **Patent No.:** **US D913,903 S**
Zhang et al. (45) **Date of Patent:** **** *Mar. 23, 2021**

(54) **FLYING CAR**

(56) **References Cited**

(71) Applicant: **Great Wall Motor Company Limited**,
Baoding (CN)

U.S. PATENT DOCUMENTS

(72) Inventors: **Kai Zhang**, Baoding (CN); **Hang Ge**,
Baoding (CN); **Shilong Zhang**,
Baoding (CN); **Limin Deng**, Baoding
(CN); **Wenfei Wei**, Baoding (CN);
Longbao Zhen, Baoding (CN); **Jian
Gao**, Baoding (CN); **Hongliang Liu**,
Baoding (CN); **Jianyong Ge**, Baoding
(CN); **Wenfeng Cui**, Baoding (CN)

D189,562 S *	1/1961	Nelson	D12/330
D193,369 S *	8/1962	Walker	D12/330
D454,109 S *	3/2002	Moshier	D12/319
D634,257 S *	3/2011	Alexander	D12/326
D678,169 S *	3/2013	Kennelly	D12/319
D684,642 S *	6/2013	Li	D12/328
D695,205 S *	12/2013	Guzman	D12/326
D696,618 S *	12/2013	Wang	D12/326
D741,247 S *	10/2015	Brody	D12/326
D751,025 S *	3/2016	Howell	D12/16.1
D761,690 S *	7/2016	Friesmuth	D12/16.1
D776,569 S *	1/2017	Baruchin	D12/16.1
D776,570 S *	1/2017	Baruchin	D12/16.1
D779,595 S *	2/2017	Xiao	D12/16.1
D801,856 S *	11/2017	Zhou	D12/16.1
D803,724 S *	11/2017	Zhou	D12/16.1
D814,350 S *	4/2018	Joo	D12/16.1
D816,583 S *	5/2018	Dutertre	D12/328
D817,812 S *	5/2018	Whitten, Jr.	D12/16.1
9,963,228 B2 *	5/2018	McCullough	B64C 11/28
D822,579 S *	7/2018	Lienhard	D12/328
D843,304 S *	3/2019	MacAndrew	D12/319
D843,305 S *	3/2019	MacAndrew	D12/319
D843,919 S *	3/2019	Tzarnotzky	D12/329

(73) Assignee: **GREAT WALL MOTOR COMPANY LIMITED**, Baoding (CN)

(*) Notice: This patent is subject to a terminal disclaimer.

(**) Term: **15 Years**

(21) Appl. No.: **29/677,268**

(22) Filed: **Jan. 18, 2019**

(30) **Foreign Application Priority Data**

Jul. 20, 2018 (CN) 201830392325.8

(51) **LOC (13) Cl.** **12-07**

(52) **U.S. Cl.**
USPC **D12/327**

(58) **Field of Classification Search**
USPC D12/1, 2, 3, 4, 16.1, 319-345;
D21/437-455
CPC B64C 29/0033; B64C 2201/021; B64C
29/02; B64C 2201/088; B64C 2201/104;
B64C 2201/141

See application file for complete search history.

(Continued)

Primary Examiner — Marissa J Cash

(74) *Attorney, Agent, or Firm* — Volpe Koenig

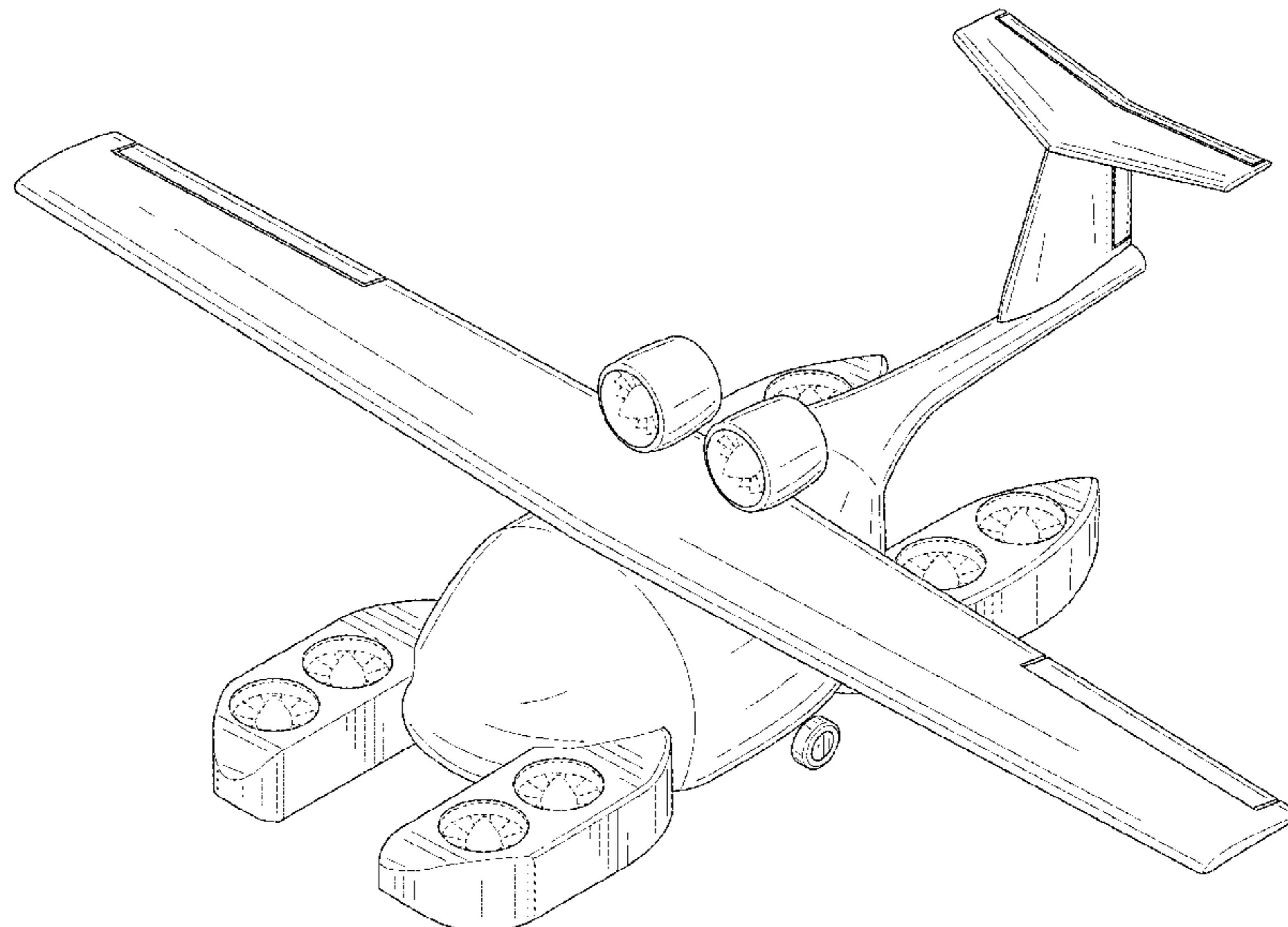
(57) **CLAIM**

The ornamental design for flying car, as shown and described.

DESCRIPTION

FIG. 1 is a front view of the claimed design;
FIG. 2 is a left view of the claimed design;
FIG. 3 is a right view of the claimed design;
FIG. 4 is a back view of the claimed design;
FIG. 5 is a top view of the claimed design;
FIG. 6 is a bottom view of the claimed design; and,
FIG. 7 is a perspective view of the claimed design.

1 Claim, 7 Drawing Sheets



(56)

References Cited

U.S. PATENT DOCUMENTS

D850,357	S *	6/2019	Cummings	D12/326
10,317,914	B2 *	6/2019	Douglas	B64C 29/0008
10,414,483	B2 *	9/2019	Ivans	B64C 1/30
10,421,541	B2 *	9/2019	Groninga	B64C 3/385
D862,361	S *	10/2019	Corning	D12/330
D866,394	S *	11/2019	Shih	D12/16.1
D868,668	S *	12/2019	Parvizian	D12/328
D872,004	S *	1/2020	Nunes	D12/328
D872,681	S *	1/2020	Tzarnotzky	D12/329
D873,200	S *	1/2020	Langford, III	D12/319
D873,201	S *	1/2020	Langford, III	D12/319
D873,202	S *	1/2020	Tzarnotzky	D12/329
2012/0012692	A1 *	1/2012	Kroo	B64C 3/56
					244/6
2012/0234968	A1 *	9/2012	Smith	B64C 29/0033
					244/12.3
2017/0174336	A1 *	6/2017	Baba	B64C 1/30
2017/0369162	A1 *	12/2017	Alzahrani	B64C 29/0033
2018/0057157	A1 *	3/2018	Groninga	B64C 27/82

* cited by examiner

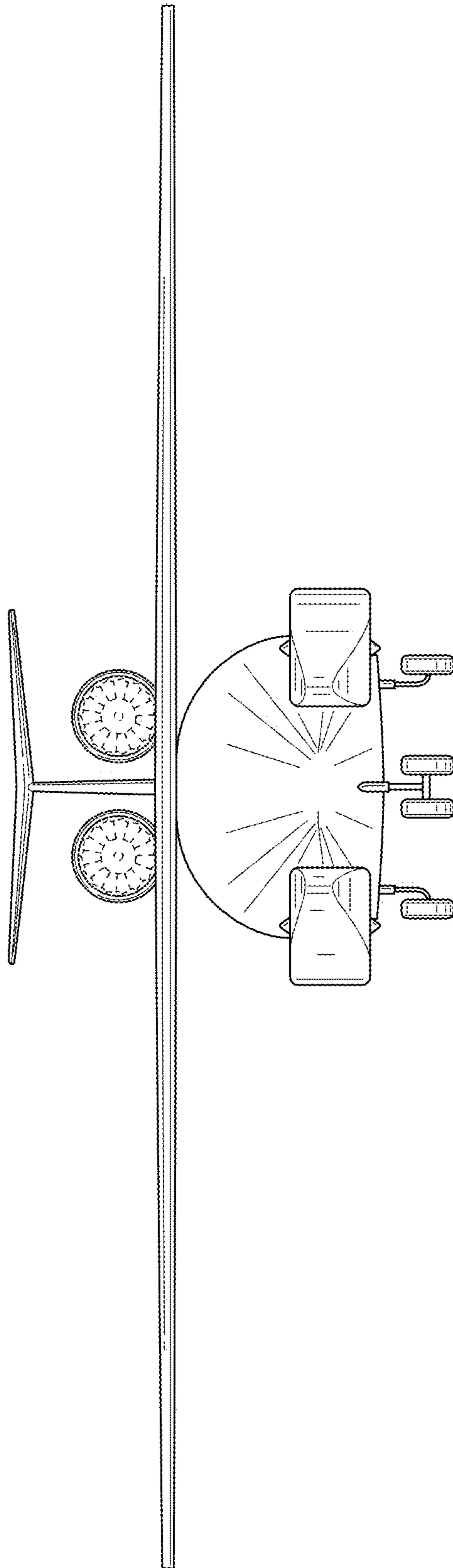


FIG. 1

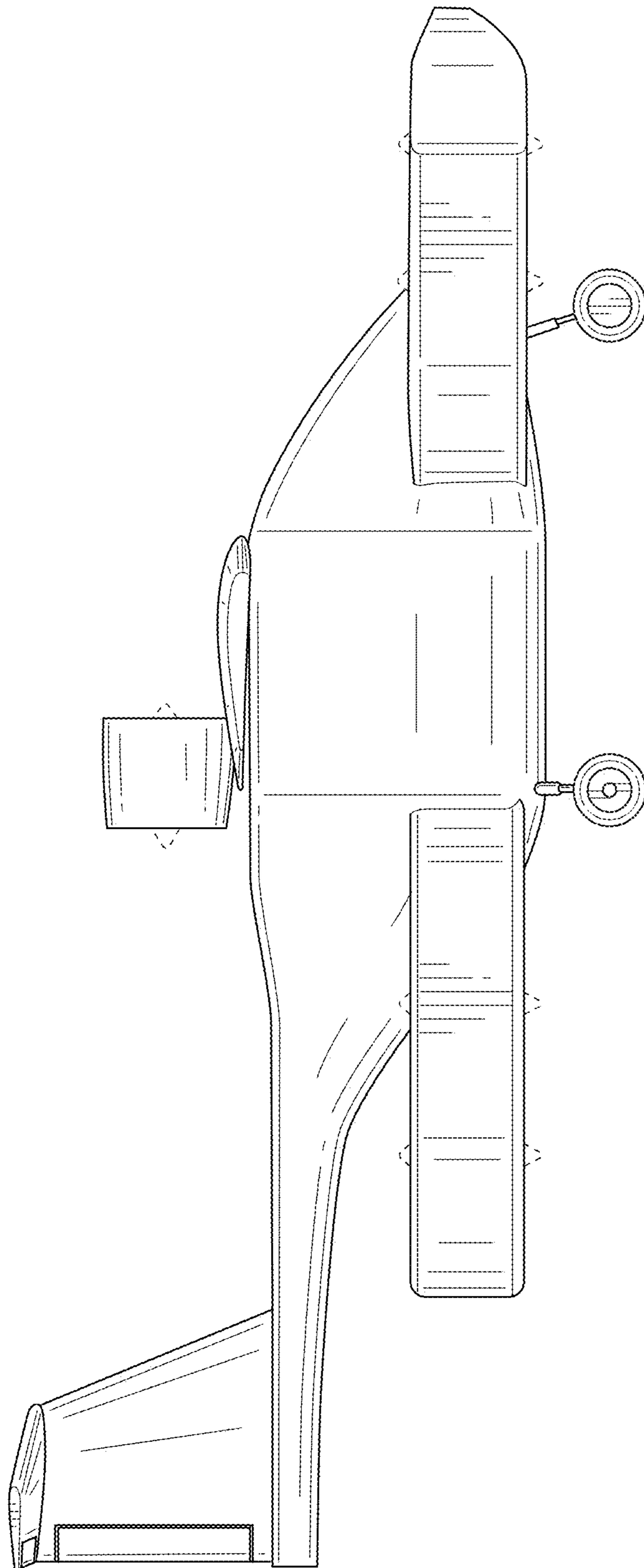


FIG. 2

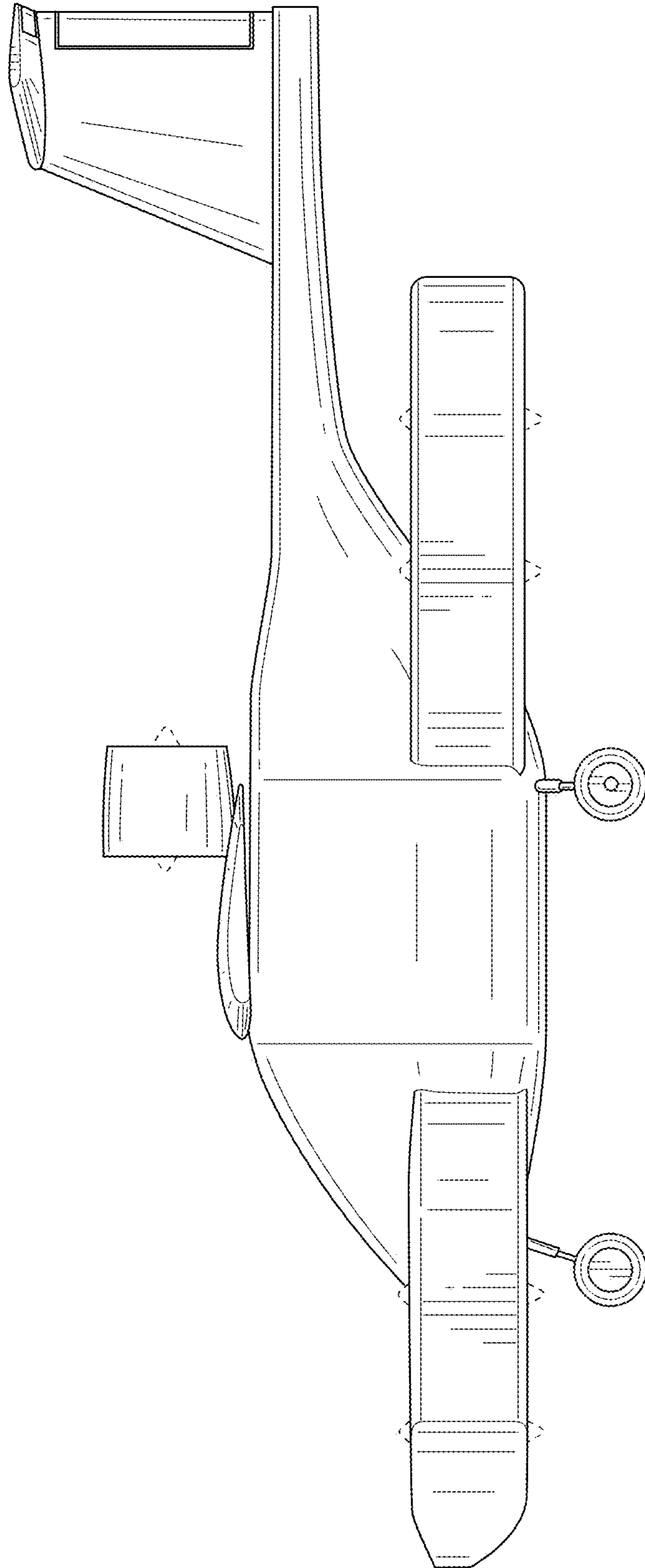


FIG. 3

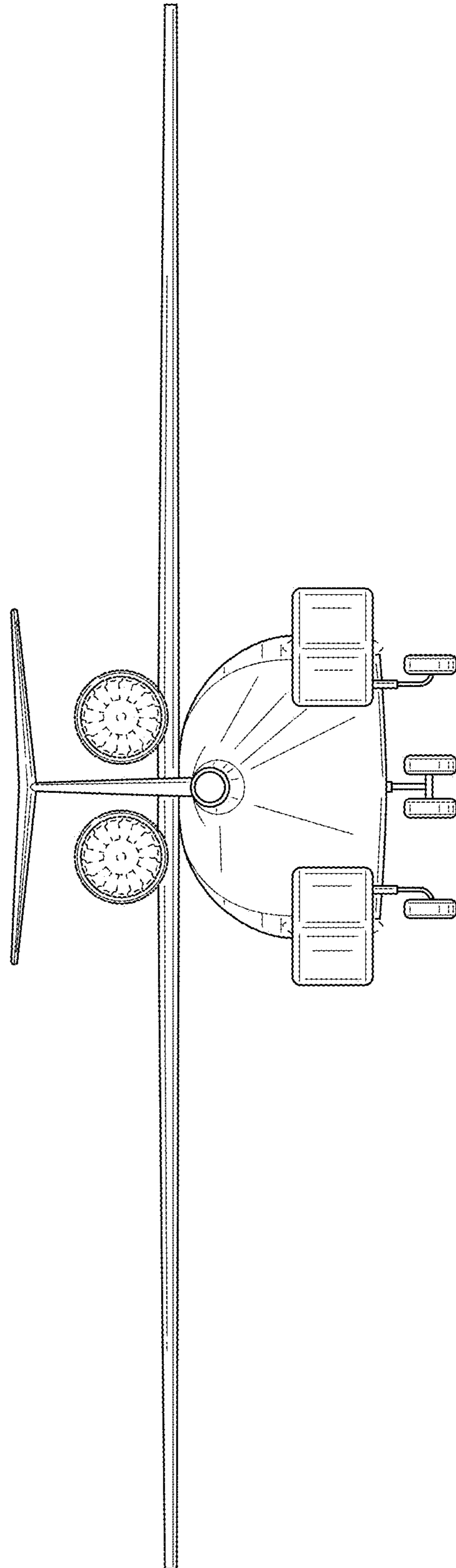


FIG. 4

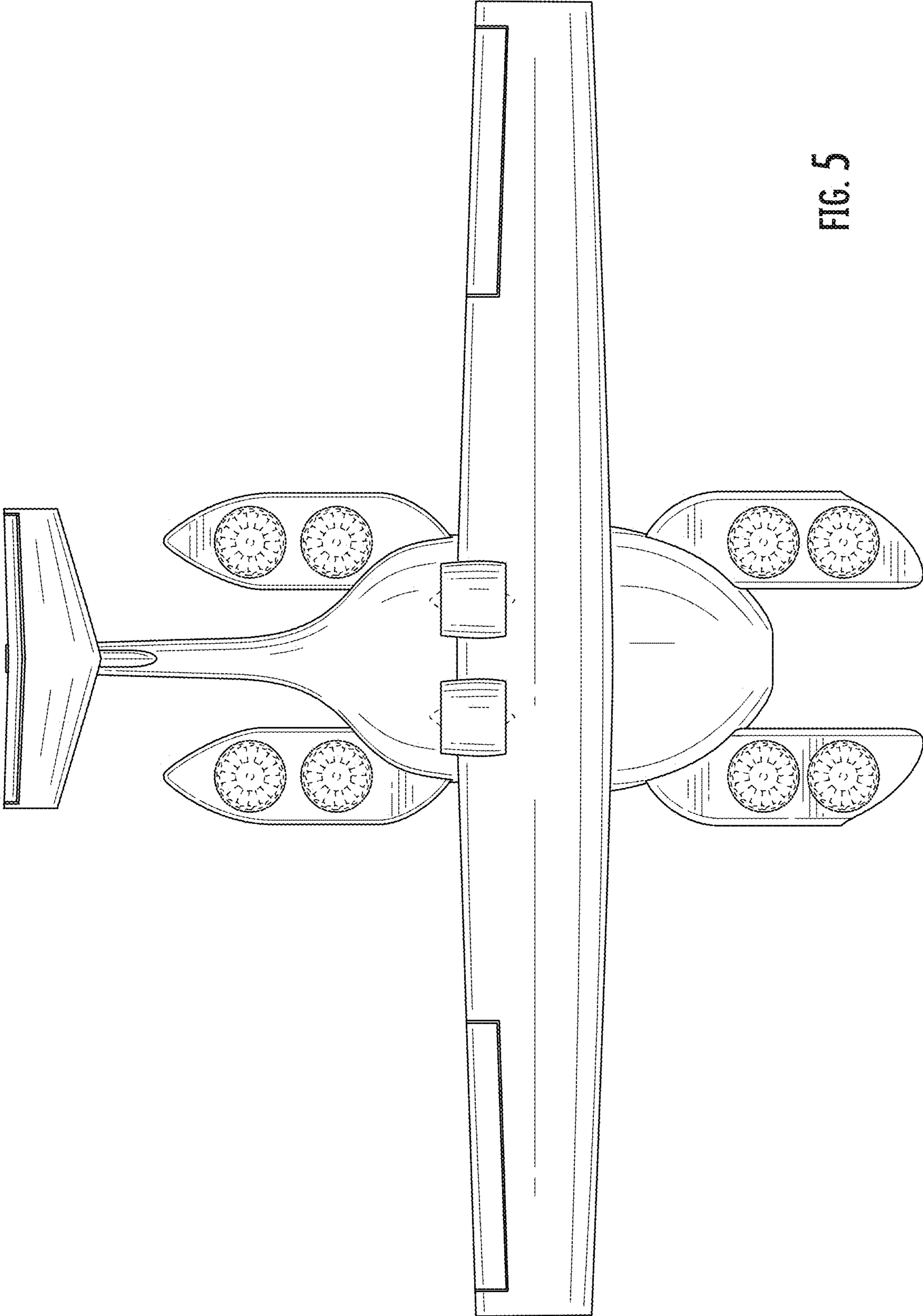


FIG. 5

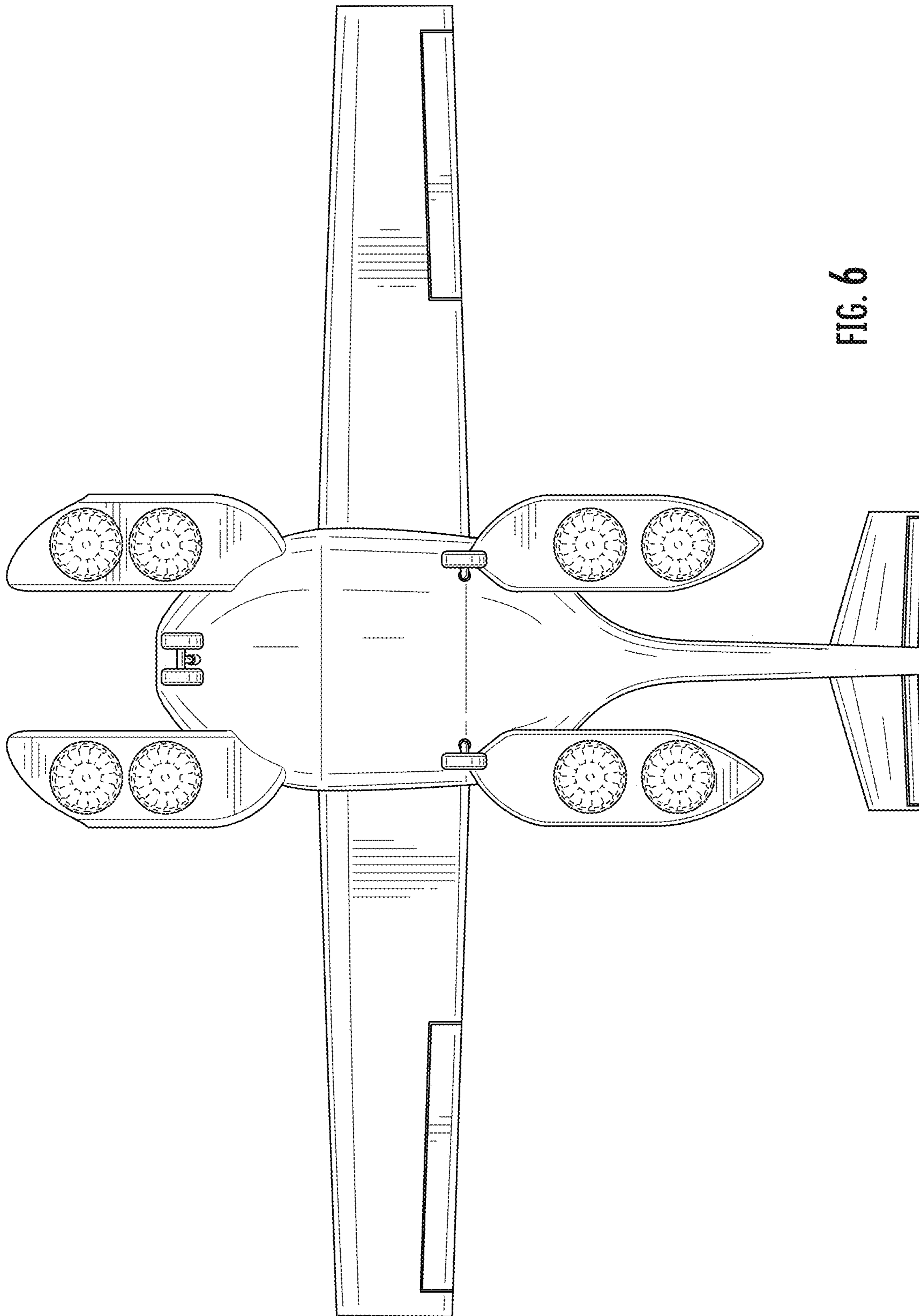


FIG. 6

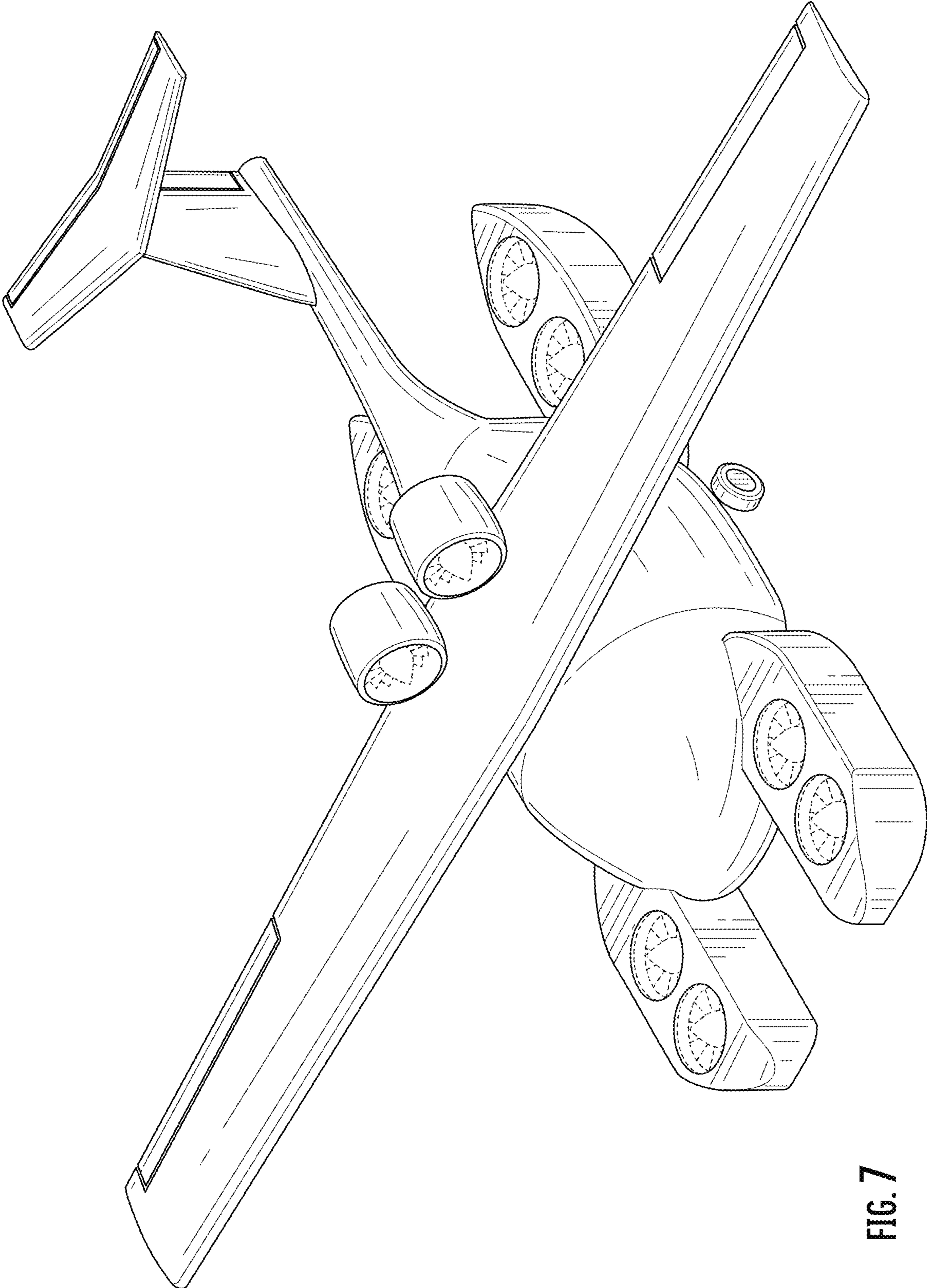


FIG. 7